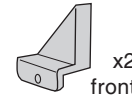
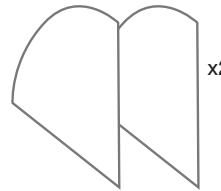
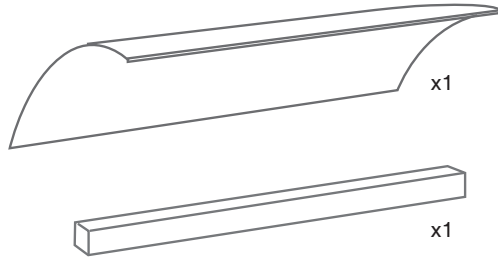


### CONTENTS

- 1 Curved Shield
- 2 Side Panels
- 1 Cross-Brace
- 2 Screws [#6]
- 2 Acorn Nuts [#6]
- 4 Brackets:
  - 2 Front, Lt & Rt
  - 2 Rear, Lt & Rt



### ASSEMBLE THE SNEEZE GUARD

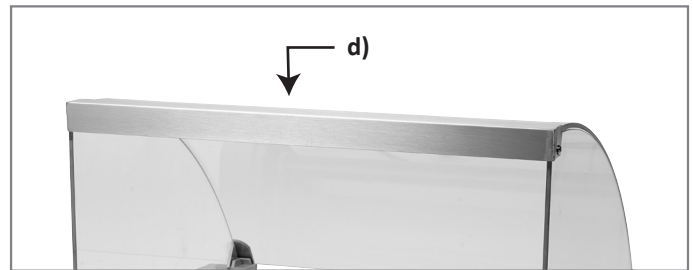
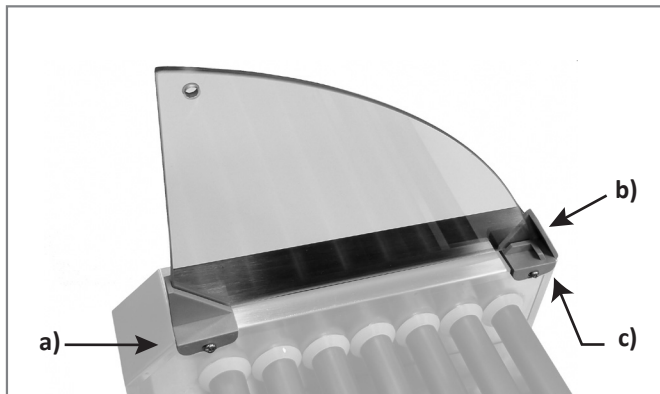
Sneeze guard must be assembled on top of roller grill.

a) Loosen the frame screws located on inner sides of roller grill above rollers. Use these to mount the sneeze guard brackets to the top of roller grill.

b) Slide sneeze guard side panels into front bracket and slot on rear bracket. Repeat on other side.

c) Slide the curved shield into slot on rear bracket.

d) Attach cross-brace to top of curved shield and at corners of side panels. Secure with screws and nuts provided.



**CAUTION**

**DO NOT OVERTIGHTEN SCREWS.**

Overtightening causes stress points in the glass, leading to cracking/breaking.

### SNEEZE GUARD ASSEMBLED ON ROLLER GRILL



- EHDG-5SG Fits EHDG-5R
- EHDG-7SG Fits EHDG-7R
- EHDG-11SG Fits EHDG-11R