

is adjusted too high; whether the impedance is matched (for MC cartridge); whether the GND is connected well, etc..

Q: Why is there a buzzing sound on the phono preamp?

A: a) It's normal for a phono preamp to have a little background noise, and turntables are analog player, cannot compare with digital player. And there are many other factors will cause severe noise, and testing is needed to further confirm the cause.

b) T14-EQ doesn't match with your amplifier well. Some digital amplifier (like Class D amplifier) can not work well with phono preamp. It is recommended that use a common analog amplifier or Class T amplifier for your turntable.

Parameters

Audio input: MM / MC Phono

Audio output: Stereo RCA / 3.5mm Headphone Jack

Input level: MM: 0.005V RMS

MC: 0.0005V RMS

Frequency response: conforms to RIAA characteristics ($\pm 0.5\text{dB}$)

Treble / bass range: $\pm 5\text{dB}$

Headphone output power: 250mW @32 Ω

100mW@64 Ω

60mW@128 Ω

— 4 —

Headphone impedance range: 16-200 Ω

THD: $\leq 0.1\%$

Output level: 0.6V RMS

S/N ratio: $\geq 80\text{dB}$ (Phono)

Working voltage: DC 5V($\geq 0.6\text{A}$)

Dimensions(W*D*H): 84*84*28mm / 3.31*3.31*1.10in

Package dimensions(W*D*H): 133*92*50mm / 5.24*3.62*1.97in

Net weight: 176g / 0.39lb

Package weight: 400g / 0.88lb

Packing List: 1x T14-EQ Preamp

1x USB Cable(Type-C)

Contact information

Website: www.doukaudio.com

Email: nobsound@doukaudio.com

WeChat/Whatsapp: +86-17704028602

Address: Room 1329, Wangcheng Building, Longguan East Road, Longhua District, Shenzhen, Guangdong, China

— 5 —

ONE
Little Bear

DOUK AUDIO

MAKE HI-FI AFFORDABLE

MANUAL

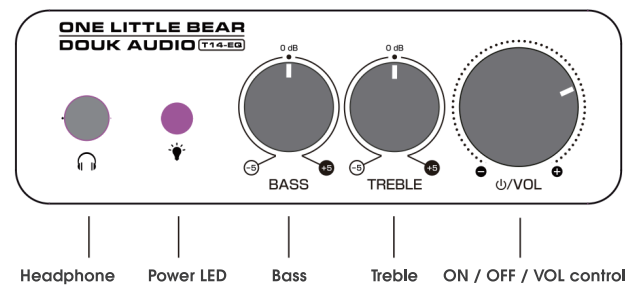
Introduction

T14-EQ is a MM/MC phono preamp with treble and bass control, converts phono signal to line level signal which amplifiers or active speakers need. Also add a 3.5mm headphone jack to drive 16~200 ohm headphones, easy to enjoy music alone. Built-in power isolation circuit, supports sharing USB power with audio player and will not generate common ground noise. All-aluminum shell, gold-plated PCB panel and RCA interfaces can maximally isolate external interference signals, ensuring the lossless transmission of the original audio signal. USB 5V (type-c) working voltage, also can be powered by a power bank or computers, very convenient to use.

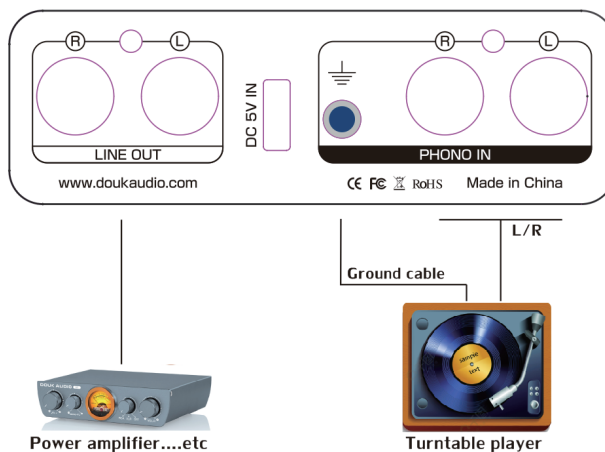
Warm tips

- 3.5mm headphone output with priority, please make sure the headphone cable has been pulled out if want to use stereo RCA output.
- Without DC5V power adapter, please prepare it by yourself.

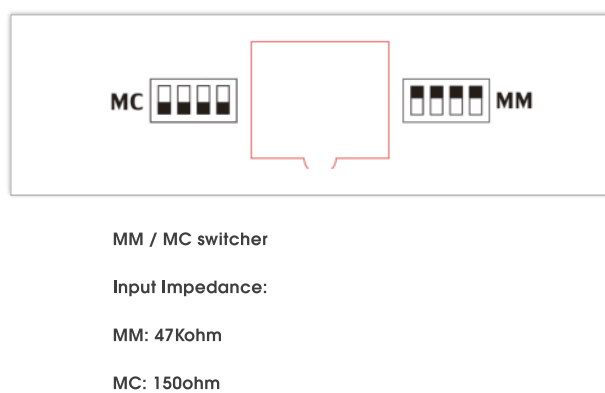
Front and rear panel



— 1 —



MM/MC switching at the bottom



— 2 —

How to use

- Connect active speakers or an amplifier to the RCA output of T14-EQ, a headphone also can be connected to its headphone out. (3.5mm headphone output with priority, please make sure the headphone cable has been pulled out if want to use stereo RCA output.)
- Connect the phono output of the turntable to the phono input of T14-EQ, and then select MC/MM mode at the bottom.
- Connect the USB cable to T14-EQ and then plug 5V power adapter into the socket or powered by computer / power bank etc..
- Clockwise rotate the knob to power on and adjust volume, treble, bass according to your preferences and enjoy music.
- After use, anti-clockwise rotate the knob to power off and then disconnect the power adapter.

FAQ

Q: Why is the sound distorted?

A: Please confirm whether the type of phono cartridge and phono preamp is matched; whether the phono output mode is correct (some phonograph with built-in phono preamp, the LINE/PHONO input switch in correct position or not); whether the gain of preamp

— 3 —