

SPECIFICATION

Power Supply Voltage
Max Current Consumption
Max Output Power

12 DC, Negative Ground 6.5A
4X60W

Private mold radiator



Ver.202603101721

CarPlay & Android Auto Player

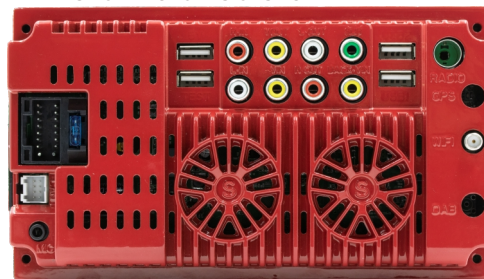
Car player

CarPlay wired + wireless(optional)

Operation Manual

ENGLISH

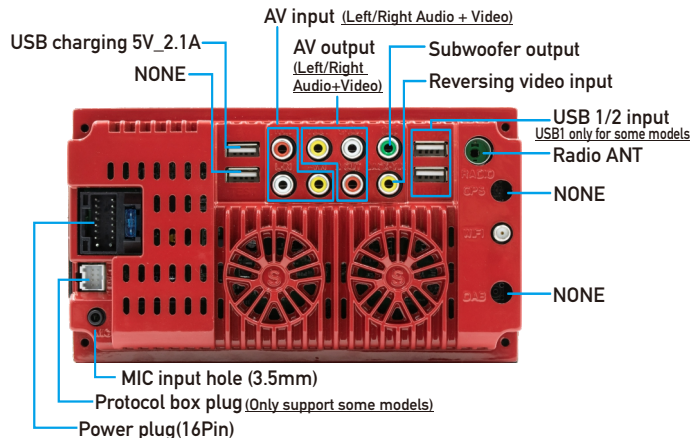
Private mold radiator



BEFORE INSTALLATION

Thank you very much for purchasing and using our products, when you receive the product, please do not take the product directly to the car for installation, because the product is in the after a long journey, it may affect the product. Please try the machine before installing.

REAR INTERFACE DESCRIPTION

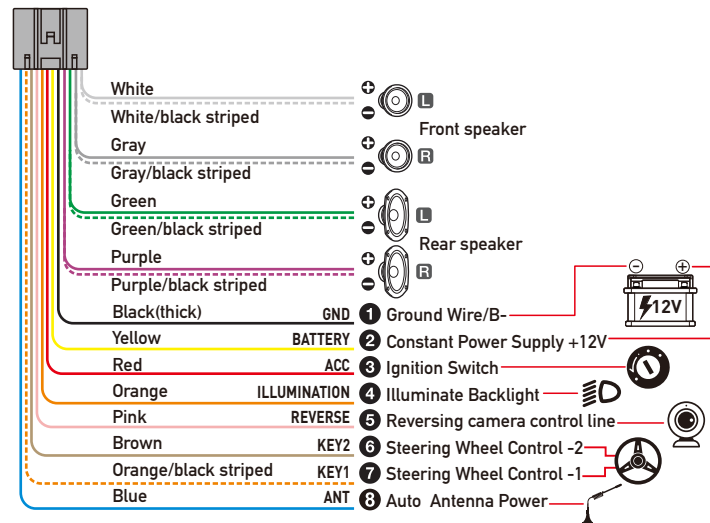


LEARNING STEERING WHEEL CONTROLS

Press and hold a button on the steering wheel of the original car and find the button icon corresponding to the function of the button on the steering wheel. Click the icon to change the color, learning is successful.

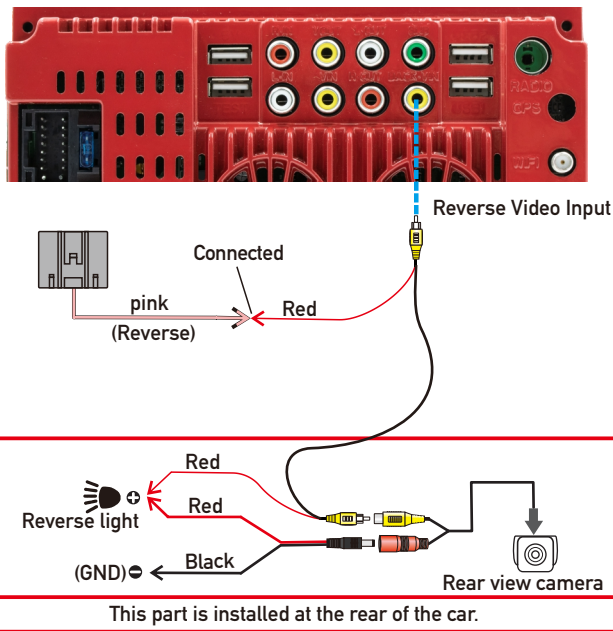


REAR INTERFACE DESCRIPTION



- * When the yellow line B+ and the red line ACC have a 12V positive power at the same time, the unit can be turned on normally.
- * The yellow line B+ keeps the power on and the machine has a memory function.
- * 8 speaker cables, each cable can not be grounded, can not be shared, can not touch the line, otherwise there will be no sound output, output sound distortion, machine fever and so on.

REVERSING CAMERA INSTALLATION METHOD




If the reversing camera is not installed, please do not connect the REVERSE/BACK cable to any place. Please leave the cable unconnected, otherwise the machine will not display properly, or it will automatically enter the reverse mode, which will cause the machine to fail. In case of such a situation, please disconnect the REVERSE/BACK line as soon as possible to avoid affecting the normal use of the user.

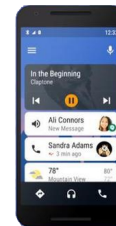
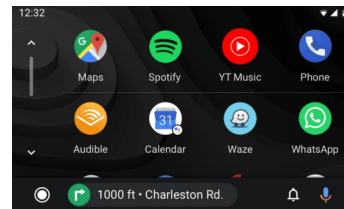
Apple CarPlay *wired* , *wireless(optional)*

1. **Wired connection:** Just connect the USB data cable, and then it will automatically enter the CarPlay interface.
2. **Wireless connection:** first turn on the bluetooth and wifi functions of the mobile phone, and then connect the bluetooth. Then it will automatically enter the CarPlay interface. (Note: The signal is transmitted through wifi at this time, so even if the Bluetooth function is turned off, it will be transmitted normally. When the wifi function is turned off, CarPlay will be disconnected.)

Android Auto *wired* , *wireless(optional)*

This feature is not supported in all countries, and "Google Play" services need to be available locally.

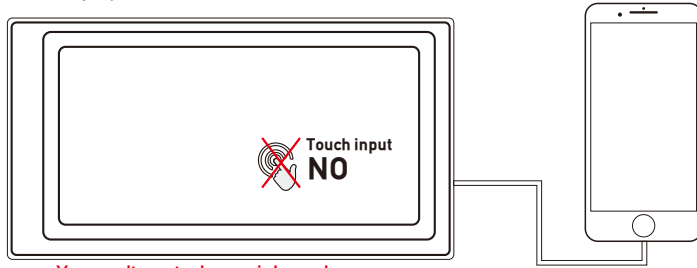
1. Need to download and install "Android Auto"  software in "Google Play".
2. A mobile phone with Android 6.0 or higher must be used. Must use a valid data cable connection.
3. **Wired connection:** Just connect the USB data cable, and then it will automatically enter the Android Auto interface.
4. **Wireless connection:** First turn on the Bluetooth and wifi functions of the mobile phone, and then connect the Bluetooth. Then it will automatically enter the Android Auto interface. (Note: The signal is transmitted through wifi at this time, so even if the Bluetooth function is turned off, it will be transmitted normally. When the wifi function is turned off, Android Auto will be disconnected.)



iPhone Mirrorlink

(Only support some models)

When the device is plugged into the iPhone, the content of the phone screen will be projected onto the car screen.



You can't control your iphone here.

Android Mirrorlink

(Only support some models)

When using an Android device, after connecting the USB data cable, you will be prompted to install the APP software. After installation, Plug the data cable again, it will enter the screen mirroring mode. And it can be operated on both the player screen and the phone screen.

Only the image transfer is successful at this time. The sound can only be transmitted after the Bluetooth connection is successful.



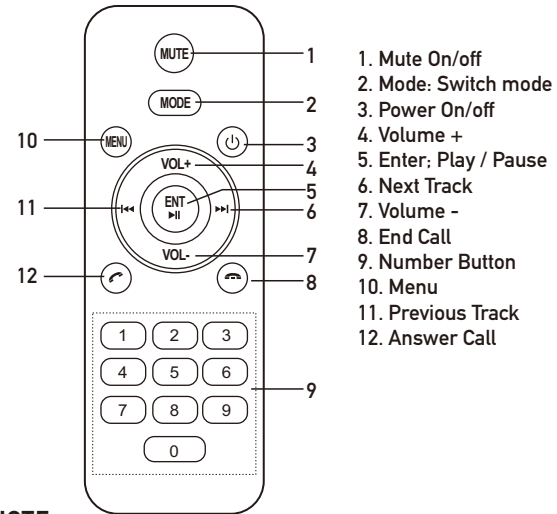
You can also control your android phone here.

SPECIFICATION

Power Supply Voltage	12~14.4V DC, Negative Ground
Max Current Consumption	15A
Max Output Power	4X60W
System setup password	"113266"

REMOTE CONTROL FUNCTION

(Only some models come with a remote control.)



NOTE:

- Before using the remote control, please remove the battery insulation paper at the bottom of the remote control.
- If the remote control does not work, please take the battery off and wipe it, then put it back, generally it can be used normally. Still not working, it may be that the remote control battery is low, please replace the remote control battery.

COMMON PROBLEMS AND SIMPLE TROUBLESHOOTING

1) Cannot boot normally

1. "Yellow" "Red" "Black" this 3 lines only connected 2 line of them, so it will not start, it should be that the yellow line is connected to the positive pole, red line to the key control line, black to the negative pole, less connection or wrong connection does not boot.
2. The original car line and unit wiring can not be connected to the color, the color of the original car line is not standard, if you connect like that it can not only be turned on but also may burn.
3. The original car plug can't be plugged directly into the new unit, even if it just plugs in, it can't be used, otherwise it won't be turned on or burned.
4. The 3 wires are connected right, but it does not boot. Check if the fuse on the yellow line is broken. If there is no problem with the fuse, twist the yellow and red wires together. Turn on the key and press the unit's power button to see if it can be turned on.
5. Every time you change the fuse, it burns. Please don't change it again The reason is that when you first connect the positive and negative poles, the protection circuit of the unit is short-circuited. The unit can be repaired under the guidance of our master. No basis can only be returned to the after-sales or new unit. If these are no problem, or also don't boot, please make the final step to confirm, find a 12V battery or 12V power supply "yellow" and "red" twist together with the positive, black to the negative pole, press the button check if it can boot or no, if you can boot, it showed that the original car line is not right connect, or there is a problem with the car line. If it can't be boot, the unit is broken. Does not boot unit, check the line carefully, do not blindly suspect the unit problem.

2) Automatic shut-down

1. The cable error connect: If the blue cable (automatic antenna power supply) is connected to the power cable of the unit, an automatic shutdown will occur. Please follow the correct wiring method to solve the problem.
2. The voltage is unstable: please find a 12V-5A which one is the power supply and re-tested to see if it will automatically shut down. If it does not automatically shut down after the test, please replace the power supply. If it will automatically shut down, it is problem with the unit.

3) There is noise

1. The original speaker power is too small. When the volume of the unit is turned up, there will be noise.
Solution: When replacing the speaker or listening to the song, the volume should not be too large.
2. The speaker cable is grounded.
Solution: Take the iron speaker cable. Directly connected to the speaker cable of the unit.

4) Remote control cannot be used

1. Test method: Turn on the camera of the mobile phone and align the light of the remote control, then press the button of the remote control to see if the phone will light up. If it is not lit, there will be no power. Replace the battery; If it is lit, there is electricity, which proves that there is no problem with the remote control.

5) Settings can not be saved (no memory)

1. The yellow line and the red line are connected together (separate yellow to positive, red to key control).
2. Yellow and red are reversed (just change position).

6) Bluetooth not working

Turn on the machine, search for the Bluetooth name of the machine using the Bluetooth of the mobile phone, and then click Connect, after connecting, you can answer calls or play songs via Bluetooth.

7) The product emits smoke

Replace the fuse FUSE, if the problem cannot be solved, the internal circuit has been burned. After-sales service is required.

8) The sound cannot be adjusted

1. Please reset the unit or unplug the power cord and plug it in.
2. The Volume knob is broken, and the knob can be replaced.

9) Reversing camera does not display

1. Wrong wiring or missing wiring.
Camera connection method:
1) Find accessories : 1 camera + 1 power cord +1 video cable.

2) Find the port of the wiring.

First find the reverse control line on the power line of the unit. The control line is a pink line. connect this line to the positive pole of 12V and the screen will turn blue.

And then find the back of the unit the CAM video input interface. find the positive and negative of the backup light.

3) There are two sockets on the camera, the red socket is connected to the power cable, the yellow is inserted into the video cable, the red wire of the power cable and the wire of the video cable are screwed together on the positive pole of the reverse lamp, and the black wire of the power cable is not used, connected, the other end of the video cable is connected to the CAM video input interface on the back of the unit. The red line coming out of the video line is connected to the reversing control line of the power line.

2. The camera is broken. If the lamp that is properly wired to the camera is not lit, it will be broken and replaced with a new one.

10) USB devices cannot be played

Format the USB flash disk, and the file system is selected as: FAT32, re-download on or two songs and try again. If it still doesn't work, please replace the USB flash drive.

11) FM does not receive the radio station

1. The antenna plug is not fully inserted, the antenna is disconnect or the line is disconnect.
2. Search station, press AS will automatically search or press before or after button.

Can't solve the above 2 points. Please unplug the antenna plug and find a screwdriver or a metal strip to insert it instead of the antenna.

12) There is no sound right after installation

Dear customers, the unit has been tested before shipment. If there is no sound, it is usually a wiring error or the original car speaker wire is short-circuited with iron. According to the steps to check it:

1. Check if the speaker cable is short-circuited and connected. Please reconnect if you have any short circuit.

2. Check how many speaker cables according to the original speaker cable if there are only 2 speaker cables to prove that the original car line does not match our unit, you need to re-route the original car line. One speaker must lead to 2 speaker wires. 2 speakers must be have 4 speaker cables to available.

13) There is no sound after a while

Disconnect all the speaker cable from the unit (do not remove them), and then find an external speaker to receive the gray and purple of the tail line of the unit. Green any group, and then try to see if there is any sound. If there is a sound, it is proved that the car's speaker line is short-circuited with iron or the speaker is damaged. If there is no sound, the unit is broken.

Tips: If the device is updated, the functions are subject to change without prior notice.

This device complies with part 15 of the FCC Rules. Operation is subject to the following two conditions: (1) This device may not cause harmful interference, and (2) this device must accept any interference received, including interference that may cause undesired operation.

Any Changes or modifications not expressly approved by the party responsible for compliance could void the user's authority to operate the equipment.

Note: This equipment has been tested and found to comply with the limits for a Class B digital device, pursuant to part 15 of the FCC Rules. These limits are designed to provide reasonable protection against harmful interference in a residential installation. This equipment generates uses and can radiate radio frequency energy and, if not installed and used in accordance with the instructions, may cause harmful interference to radio communications. However, there is no guarantee that interference will not occur in a particular installation. If this equipment does cause harmful interference to radio or television reception, which can be determined by turning the equipment off and on, the user is encouraged to try to correct the interference by one or more of the following measures:

- Reorient or relocate the receiving antenna.
- Increase the separation between the equipment and receiver.
- Connect the equipment into an outlet on a circuit different from that to which the receiver is connected.
- Consult the dealer or an experienced radio/TV technician for help.
- This equipment complies with FCC radiation exposure limits set forth for an uncontrolled environment. This equipment should be installed and operated with minimum distance 20cm between the radiator & your body.