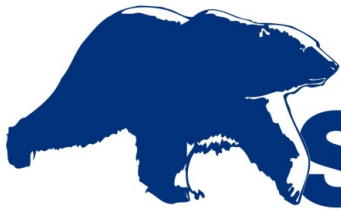


**SNOWBEAR<sup>®</sup>**

Owner's Manual

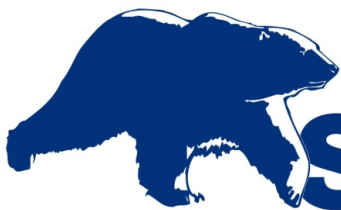




### Table of Contents

- General Safety Precautions ..... 3
- Personal Safety ..... 4
- Fire and Explosion ..... 4
- Ventilation ..... 4
- Cell Phones ..... 4
- Spreader Parts List ..... 5
- Assembly tool list ..... 6
- SnowBear® Wireless Remote System ..... 7
- Spreader Installation ..... 8
  - OVERVIEW: ..... 8
  - INSTALLATION: ..... 8
- General Maintenance ..... 13
- Tailgate Spreader Troubleshooting ..... 14
- SnowBear® Warranty Information ..... 15





## General Safety Precautions



**READ THE OWNER'S MANUAL CAREFULLY.** Know your tailgate spreader. Learn its applications and limitations. Improper installation and operation could cause personal injury and/or equipment and property damage.



**KEEP AWAY FROM CHILDREN AND PETS.** Be sure bystanders, especially children and pets are kept a safe distance from the tailgate spreader operating area.



**DO NOT ABUSE THE SPREADER.** Follow the guidelines set forth in this manual. Do not force the tailgate spreader to do a job it was not designed for.



**MAINTAIN THE SPREADER.** Keep the spreader clean when the unit is not in use to avoid corrosion and/or seizing of parts. Before servicing/working on the spreader, disconnect power cord, secure all loose-fitting clothing, unrestrained long hair and wait for auger and spinner to stop. **Do not operate a spreader in need of maintenance.**



**INSPECT THE SPREADER BEFORE EACH USE.** Check the alignment of all moving parts, and check for any loose bolts that may affect the operation of the spreader system. Before operating spreader, reassemble any parts or hardware removed for cleaning or adjusting.



**NEVER SIT IN, CLIMB OR RIDE ON THE SPREADER.** Serious injury could occur.



**ONLY USE SNOWBEAR® CERTIFIED PARTS AND ACCESSORIES.** Consult the owner's manual for the recommended accessories and/or replacement parts. The use of improper accessories and/or replacement parts may cause hazards and void applicable warranties.



**ALWAYS VERIFY THAT THE HITCH PIN IS PROPERLY INSTALLED BEFORE MOVING.** If the spreader is incorrectly attached to the vehicle's receiver, the spreader could fall off from the vehicle potentially harming bystanders and damaging your SnowBear® product, or vehicle.



**NEVER OVERLOAD YOUR VEHICLE OR SPREADER.** Overloading could result in an accident or damage. Do not exceed GVWR or GAWR ratings as found on the driver-side door side or corner post of the vehicle. See Loading Section to determine maximum volumes of spreading material.



**DO NOT LEAVE UNUSED MATERIAL IN SPREADER HOPPER.** Material can freeze and/or solidify, causing unit to not work properly. Empty and clean after each use whenever possible.



## Personal Safety



Remove ignition key and put the vehicle in park or in gear to prevent others from starting the vehicle during installation or service.



Wear only snug-fitting clothing while working on your vehicle or spreader. Do not wear dangling jewelry or neckties and secure long hair.



Wear safety glasses to protect your eyes from dust, dirt & debris from the spreader, especially when in operation and close to spreader. Material is spread at significant velocity.

## Fire and Explosion



**GASOLINE IS HIGHLY FLAMMABLE, VAPOURS ARE EXPLOSIVE.** Never smoke while working on vehicle. Keep all open flames and sources of ignition away from gasoline tank, lines and containers. Wipe up any spilled gasoline immediately. Do not use gasoline to clean parts. Store gasoline only in approved containers away from sources of heat or flame.

## Ventilation

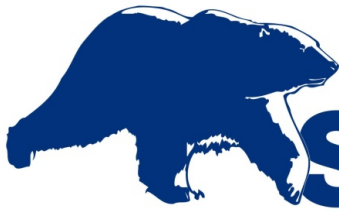


**VEHICLE EXHAUST CONTAINS LETHAL FUMES.** Breathing these fumes, even in low concentrations, can cause illness or death. Never operate a vehicle or leave engine running while performing spreader maintenance in an enclosed area without venting the exhaust to the outside.

## Cell Phones


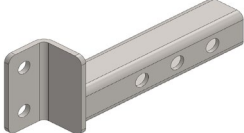







A driver's first responsibility is the safe operation of the vehicle. The most important thing you can do to prevent a crash is to avoid distractions and pay attention to the road. Wait until it is safe to operate Mobile Communication Devices such as cell phones, text messaging devices, pagers or two-way radios (ie. when vehicle is parked).







### Spreader Parts List

Before you begin, please verify that all of the parts below have been included with your spreader. Your spreader is packaged nearly complete in one box.

<p>ITEM #1 PT # 324-223</p>	<p>TAILGATE SPREADER ASSEMBLY (WITH 2 PRE-PAIRED WIRELESS REMOTE CONTROLS)  (QTY 1)</p>	
<p>ITEM #2 PT # 298-178</p>	<p>2" RECEIVER ASSEMBLY (QTY 1)</p>	
<p>ITEM #3 PT # 250-761</p>	<p>5/8-11 X 3.50" HEX HEAD CAP SCREW, 18-8 STAINLESS (QTY 2)</p>	
<p>ITEM #4 PT # 253-255</p>	<p>5/8-11 NYLOCK NUT, 18-8 STAINLESS (QTY 2)</p>	
<p>ITEM #5 PT # 254-018</p>	<p>5/8" SAE FLAT WASHER, 18-8 STAINLESS (QTY 4)</p>	
<p>ITEM #6 PT # 263-320</p>	<p>Ø5/8"x4.0" HITCH PIN w/ R-CLIP (Not Shown) (QTY 1)</p>	
<p>ITEM #7 PT # 324-239</p>	<p>RIGID PLASTIC LID ASSY KIT (STRAP AND BRKTS NOT SHOWN) (QTY 1)</p>	



## Assembly tool list

	<p>Ratcheting Wrench</p>
	<p>15/16" Socket (For Height Adjustment), 1/2" Socket (For Deflector Adjustment)</p>
	<p>15/16" Open Ended Wrench (For Height Adjustment)</p>
	<p>9/64" Long Shank Allen Key wrench (For Main Shaft Adjustment (if required))</p>



### SnowBear® Wireless Remote System

The SnowBear® Tailgate Spreader should only be operated when the vehicle is running. Failure to follow this instruction could result in the premature failure of your vehicles battery.

When the vehicle has been turned on, the engine is running, and the headlights turned on, the Green 'ON' button on the supplied key fob must be pressed to turn spreader unit on. The Red 'OFF' button must be pressed to turn the spreader off. The Indicator Light will flash each time one of the buttons is pressed.



The spreader has been supplied with two remote key fobs, and one remote receiver, factory installed in the spreader unit. Both supplied key fobs are already paired specifically to the receiver, so there is no need to perform any pairing with the system. Care has been taken when packaging the spreader unit to keep the specific remotes together with the properly paired receiver.



## Spreader Installation

### OVERVIEW:

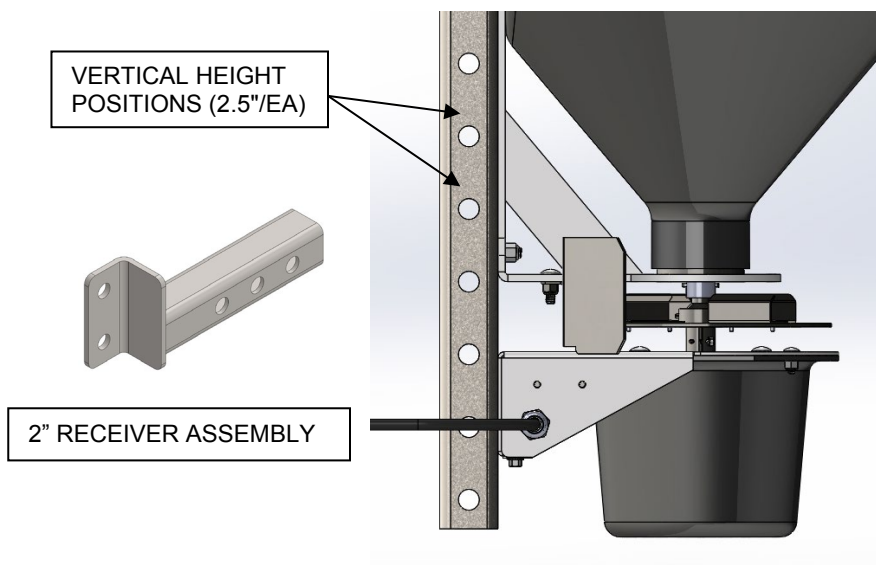
The SnowBear® Tailgate Spreader uses a standard 2" trailer receiver on your vehicle, and standard 4-pin trailer connector for the electrical harness. Each of these must be already installed on your vehicle to use the spreader.

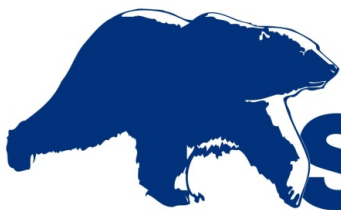
### INSTALLATION:

The SnowBear® Tailgate Spreader comes factory pre-assembled, except for the 2" Receiver Assembly and associated mounting hardware (all included).

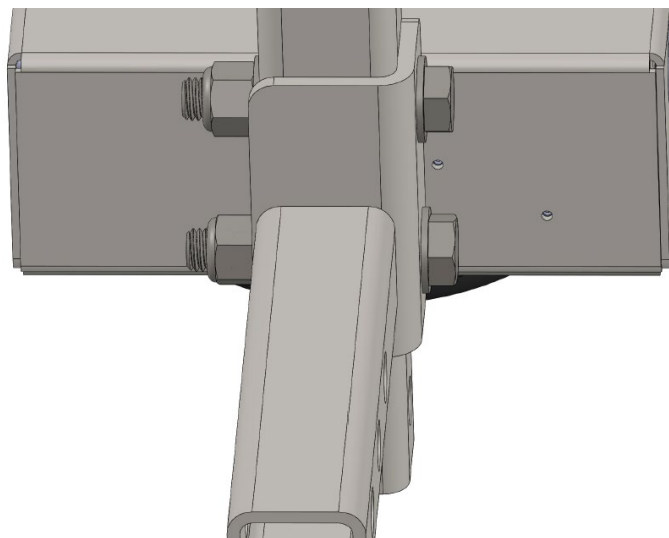
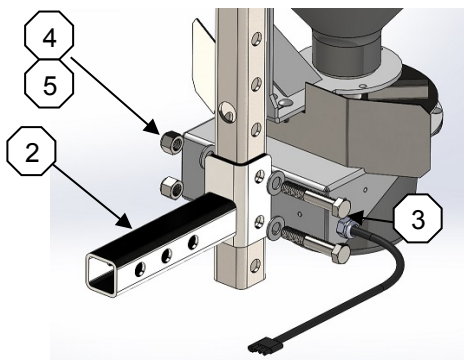
To install the 2" Receiver Assembly to the Spreader Assembly, select the optimal height for your application. The Spreader has several vertical mounting height positions that will move the Spreader assembly up or down 2.5" per position. This optimal height will vary with the height of the vehicle's hitch, and the desired maximum/minimum material spread desired for the application. The higher the Spreader assembly, the greater the material spread diameter.

Testing was performed at approximately 1 1/2' (18") from the ground to spinner plate of the Spreader. This yielded an approximate 25-30' spread diameter.





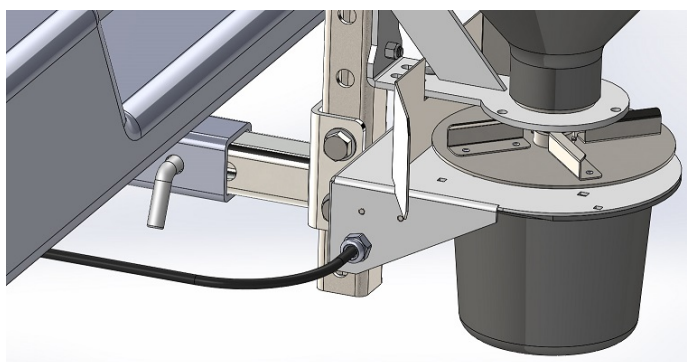
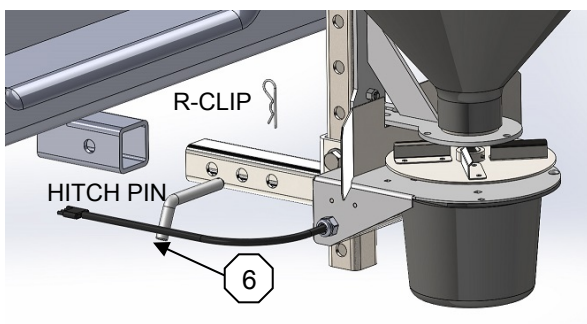
Once your desired height is determined, install the two 5/8-11x3.50" hex bolts and washers on the 2" Receiver Assembly bracket side, and install washer and 5/8-11 lock nut on vertical post side. Tighten until there is no movement of the spreader assembly on the receiver assembly.



INSTALL 5/8-11x3.50" HEX BOLT AND WASHER ON RECEIVER ASSEMBLY SIDE. WASHER AND NUT ON VERTICAL POST SIDE.

The spreader is ready to install into your vehicle's hitch receiver.

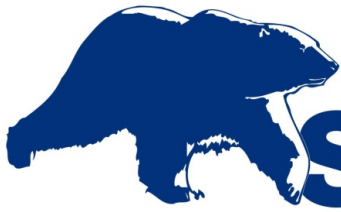
Hold the spreader assembly up to the 2" hitch receiver, and slide in. There are three holes in the spreader's 2" receiver assembly to allow for horizontal depth adjustment in the vehicle's hitch receiver. Each hole is spaced 2" from another. When the spreader assembly is slid into the hitch receiver, look to see when one of the assembly's holes aligns with the hitch receiver, and install the supplied hitch pin. Insert fully, and install the supplied r-clip in the hitch pin hole to secure the assembly.



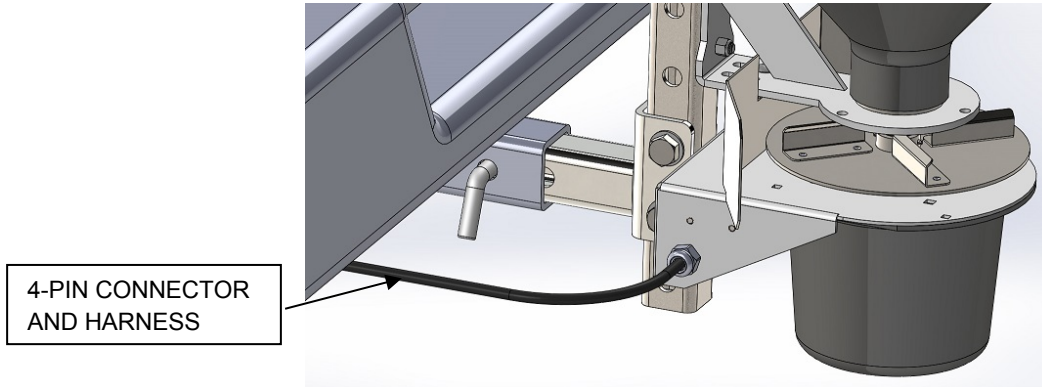
INSTALL SPREADER ASSEMBLY 2" RECEIVER INTO VEHICLE'S 2" HITCH RECEIVER. ALIGN ONE HORIZONTAL DEPTH ADJUSTMENT HOLE.

ONCE DESIRED HOLE IS ALIGNED, INSTALL SUPPLIED HITCH PIN AND R-CLIP TO SECURE ASSEMBLY.

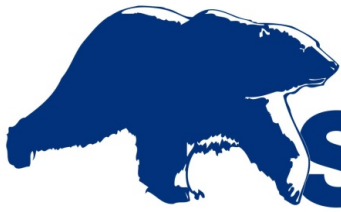




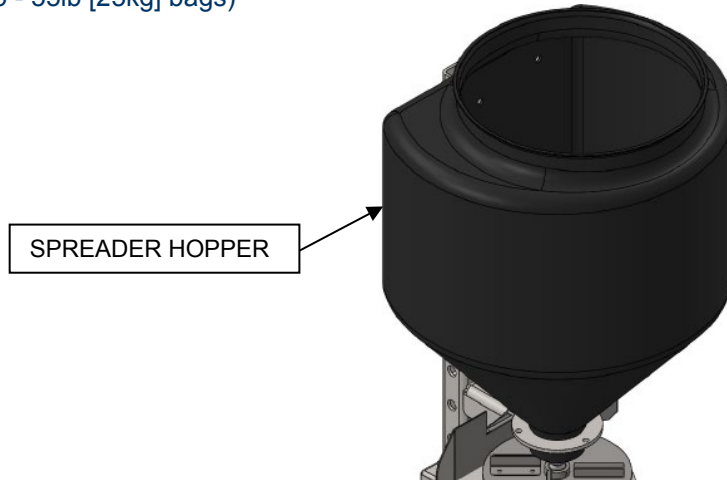
The 4-pin connector can now be plugged into the vehicle's 4-pin socket (if vehicle has a 7 or 9-pin connector, then a suitable adaptor needs to be purchased). Spreader is now ready to operate.



The SnowBear® Tailgate Spreader is now ready to fill with material and be put to use.

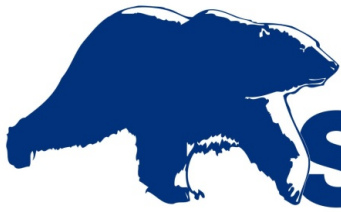


The spreader hopper is designed to hold approximately 250lbs [115kg] of bagged rock salt or ice melt material (~4 to 5 - 55lb [25kg] bags)



Once desired amount of material is poured in, and the spinner speed is set, the spreader is ready to run.

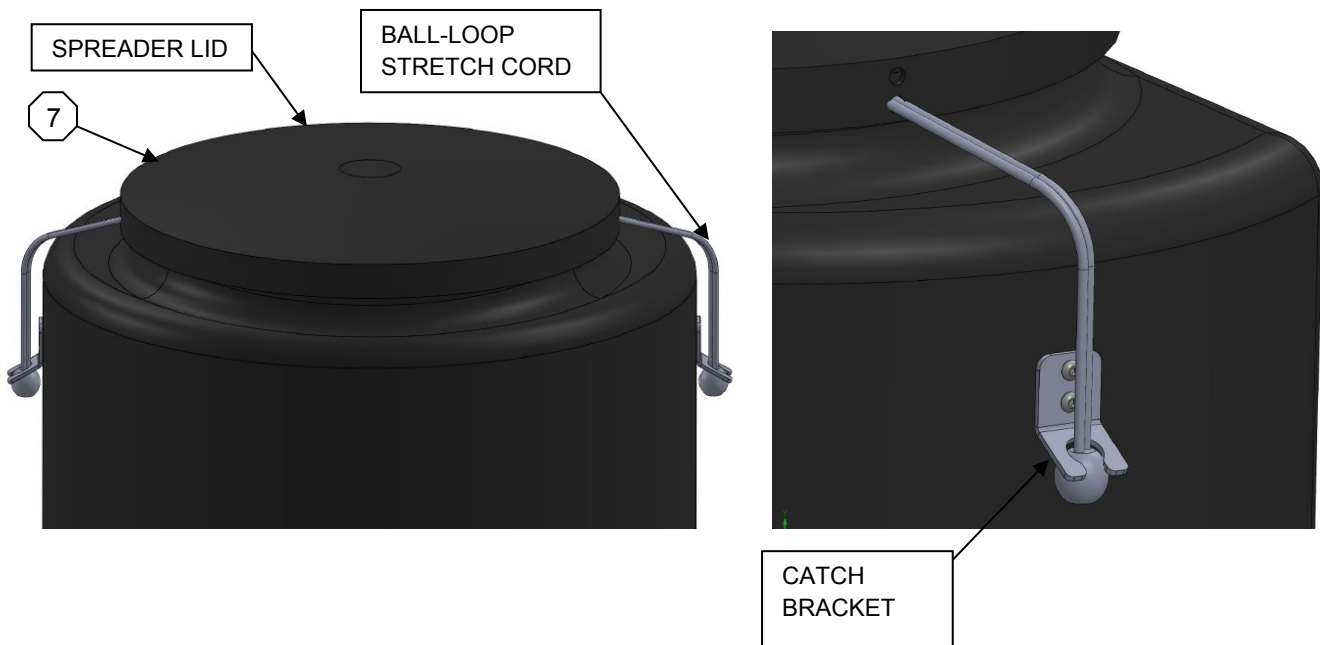
Before driving the vehicle, make sure vehicle lights are turned on, and make sure the spreader system is working by pushing the 'ON' button on the remote key fob. If spinning is going, and material is flowing, system is ready to spread. Push the 'OFF' button to stop the spreader. Begin driving the vehicle, and when you're in the desired area to spread the material, push the 'ON' button and continue until the required area is covered, then push 'OFF' to stop spreading.

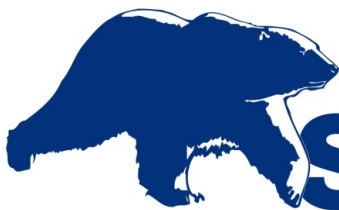


### SPREADER LID INSTALLATION

The SnowBear® Tailgate Spreader comes standard with a rigid plastic lid. The lid is affixed to the spreader hopper by two ball-loop stretch cords that are installed on the lid, and latched to the pre-installed catch brackets.

Stretch the ball-loop cord and snap under the catch bracket and release. To remove the lid, pull on the stretch cord and out from under the catch bracket.





## General Maintenance

The SnowBear® Tailgate Spreader is generally maintenance free, but there are a few recommendations to help ensure many seasons of trouble-free operation.

**WARNING:** Never remove the spreader with material in the hopper. Always empty before removing.

**CAUTION:**

- Disconnect electric power at spreader electrical harness plug connection before servicing or performing maintenance.
- When replacing parts, use only original manufacturer's parts. Failure to do so will void warranty.
- Remote receiver is a solid-state electronic unit and is not serviceable. Any attempt to service will void warranty.
- There are no serviceable parts in the motor assembly. Any attempt to service will void warranty.
- If pressure washing spreader motor/electrical enclosure area, stay at least 48" [1.2m] away and avoid direct spray on the openings to avoid excessive water intrusion.
- During removal or mounting, securely grip spreader to avoid dropping.

### AFTER EACH USE

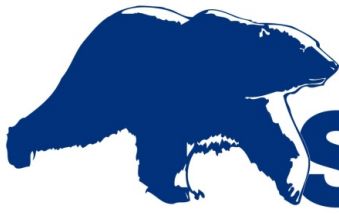
- Do not leave unused material in the hopper. Material can freeze or solidify, causing unit to not work properly. Empty and clean after each use.
- Wash out hopper & rinse off all external surfaces, especially spinner and deflector areas.
- Apply dielectric grease on 4-pin connector plugs to prevent corrosion.

### AT THE END OF EACH SEASON OR AFTER EXTENDED STORAGE

- Wash out hopper & rinse off all external surfaces.
- Apply dielectric grease on 4-pin connector plugs to prevent corrosion.
- Paint any bare, non-stainless steel, metal surfaces to prevent corrosion.

### STORAGE

- Store the spreader in a clean, dry location and preferably away from direct sunlight.



### Tailgate Spreader Troubleshooting

PROBLEM	CAUSES	HOW TO CORRECT
<b>Spreader does not run</b>	<ol style="list-style-type: none"> <li>1. Electrical connection</li> <li>2. Bad motor</li> <li>3. Loose wire connection to switch/receiver</li> <li>4. Corrosion</li> <li>5. Fuse blown</li> <li>6. Check battery</li> <li>7. Jammed auger</li> <li>8. Headlights on vehicle not turned on (wiring harness typically part of light circuit)</li> </ol>	<ol style="list-style-type: none"> <li>1. Check 4-pin plug and make sure it is securely plugged in</li> <li>2. Contact distributor for replacement</li> <li>3. Open electrical enclosure &amp; inspect switch and receiver connections, fix where needed</li> <li>4. Check all electrical connections for corrosion, fix if necessary</li> <li>5. Locate blown fuse and replace</li> <li>6. Load test battery. Recharge vehicle's battery if required</li> <li>7. Unplug spreader and remove jam. If auger damaged, fix or replace</li> <li>8. Turn vehicle headlights on</li> </ol>
<b>Material will not flow</b>	<ol style="list-style-type: none"> <li>1. Spreader hopper is empty</li> <li>2. Material has solidified, stuck to wall, material obstruction</li> <li>3. Auger is spinning in reverse</li> <li>4. Auger broke</li> </ol>	<ol style="list-style-type: none"> <li>1. Refill spreader hopper with desired material</li> <li>2. With spreader unplugged, use screwdriver or rigid rod to break-up material until proper consistency</li> <li>3. Change polarity of motor</li> <li>4. Auger needs to be replaced</li> </ol>
<b>Spreader does not respond to key fob</b>	<ol style="list-style-type: none"> <li>1. Plug not secure</li> <li>2. No vehicle power to connector</li> <li>3. Key fob battery low</li> <li>4. Range issue</li> <li>5. Control connection</li> <li>6. Headlights on vehicle not turned on</li> </ol>	<ol style="list-style-type: none"> <li>1. Fully seat 4-pin connector plug</li> <li>2. Ensure vehicle is running and power is going to plug connector</li> <li>3. Replace battery</li> <li>4. Try key fob at close range to spreader, if unit works, replace battery. If not, check electrical connections</li> <li>5. Remove electrical cover and check all connections</li> <li>6. Turn vehicle headlights on</li> </ol>



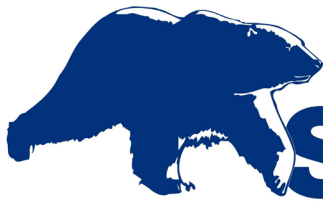


## SnowBear® Warranty Information

Please see the latest version of The SnowBear® Tailgate Spreader warranty can be found online at:

<http://www.snowbear.com/UserContent/documents/warranty.pdf>

Alternatively, please call our customer service hotline at (800) 337-2327.



**SNOWBEAR<sup>MD</sup>**

Manuel du  
propriétaire





# SNOWBEAR<sup>MD</sup>

Manuel du  
propriétaire

## Table des matières

Mesures générales de sécurité .....	3
Sécurité personnelle .....	5
Feu et explosion .....	5
Ventilation .....	5
Téléphones cellulaires .....	6
Liste des pièces de l'épandeuse .....	7
Liste d'outils d'assemblage .....	8
Système de télécommande sans fil SnowBear <sup>MD</sup> .....	9
L'installation de l'épandeuse .....	10
VUE D'ENSEMBLE : .....	10
INSTALLATION : .....	10
Maintenance générale .....	15
Dépannage de l'épandeuse pour hayon arrière .....	16
Renseignements de la garantie SnowBear <sup>MD</sup> .....	18



## Mesures générales de sécurité



**VEUILLEZ LIRE LE MANUEL DU PROPRIÉTAIRE ATTENTIVEMENT.** Apprenez à connaître votre épandeur pour hayon arrière. Apprenez ses applications et ses limites. Une installation impropre ou une mauvaise opération peuvent causer des blessures personnelles et/ou des dommages à l'équipement et à de la propriété.



**GARDEZ HORS DE LA PORTÉE DES ENFANTS ET DES ANIMAUX DE COMPAGNIE.** Veillez à ce que les spectateurs et particulièrement les enfants et les animaux de compagnie maintiennent une distance sécuritaire de la zone d'opération de l'épandeur pour hayon arrière.



**N'ABUSEZ PAS L'ÉPANDEUSE.** Suivez les lignes directrices établies dans ce manuel. Ne forcez pas l'épandeur pour hayon arrière à exécuter un travail pour lequel elle n'a pas été conçue.



**POUR MAINTENIR L'ÉPANDEUSE.** Gardez l'épandeur propre lorsque l'appareil est hors usage pour empêcher la corrosion et/ou le saisissement de pièces. Avant de faire effectuer du service ou du travail sur l'épandeur, débranchez le cordon d'alimentation; sécurisez tout vêtement à coupe ample; nouez de longs cheveux et attendez que la vis sans fin d'alimentation et la centrifugeuse s'arrêtent. **Ne faites pas fonctionner une épandeur qui a besoin de maintenance.**



**VÉRIFIEZ L'ÉPANDEUSE AVANT CHAQUE UTILISATION.** Vérifiez l'alignement de toutes les pièces mobiles et vérifiez pour tout boulon desserré qui pourrait avoir un effet sur l'opération du système du dispositif diffuseur. Avant de faire fonctionner l'épandeur, veuillez assembler de nouveau toute pièce ou toute quincaillerie qui a été retirée pour le nettoyage ou pour un ajustement.



**NE JAMAIS VOUS ASSEoir NI FAIRE DE TOURS SUR L'ÉPANDEUSE.** Ceci peut occasionner des blessures graves.



**N'UTILISEZ QUE DES PIÈCES ET DES ACCESSOIRES CERTIFIÉS SNOWBEAR<sup>MD</sup>.** Veuillez consulter le manuel du propriétaire pour les accessoires recommandés et/ou pour des pièces de remplacement. L'usage d'accessoires impropres et/ou de pièces de remplacement peut causer des dangers et annuler des garanties applicables.



**VÉRIFIEZ TOUJOURS QUE LA GOUPILLE D'ATTELAGE EST INSTALLÉE CORRECTEMENT AVANT DE VOUS DÉPLACER.** Si l'épandeur n'est pas attachée correctement au récepteur d'attelage du véhicule, l'épandeur pourrait tomber du véhicule et probablement blesser des observateurs et endommager votre produit SnowBear<sup>MD</sup> ou votre véhicule.



**NE JAMAIS SURCHARGER VOTRE VÉHICULE NI L'ÉPANDEUSE.** Une surcharge pourrait occasionner un accident ou des dommages. Veuillez ne pas dépasser les cotes PNBV ou PTMSE qui se trouvent sur l'intérieur de la porte-côté chauffeur ou bien sur la colonne de coin du véhicule. Voir la Section de chargement afin de déterminer les volumes maximums de matériau d'épandage.



**NE PAS LAISSER DE MATÉRIAU NON UTILISÉ DANS LA TRÉMIE D'ÉPANDEUR.** Le matériau peut geler et/ou bien se solidifier et ceci peut causer un fonctionnement défectueux de l'unité. Videz et nettoyez-la après chaque usage autant que possible.



## Sécurité personnelle



Retirez la clé de contact et placez le véhicule dans la position de stationnement ou en prise pour empêcher d'autres personnes de faire démarrer le véhicule lors de l'installation ou pendant un service.



Veillez ne porter que des vêtements à ajustement serré pendant que vous travaillez sur votre véhicule ou sur votre épandeuse. Ne portez pas de bijoux qui pendent ni de cravate et nouez les cheveux longs.



Portez des lunettes de sécurité pour protéger vos yeux de la poussière, des saletés et des débris provenant de l'épandeuse, particulièrement lorsqu'elle est en marche et que vous vous tenez près de l'épandeuse. Le matériau se fait répandre à grande vitesse.

## Feu et explosion



**L'ESSENCE EST HAUTEMENT INFLAMMABLE, LES VAPEURS SONT EXPLOSIVES.** Ne fumez jamais pendant que vous travaillez sur un véhicule. Gardez toutes flammes nues et sources d'inflammation au loin de votre réservoir d'essence, des lignes et des contenants. Essuyez toute essence renversée immédiatement. N'utilisez pas de l'essence pour nettoyer des pièces. Entreposez l'essence seulement dans des contenants approuvés au loin des sources de chaleur et de flammes.

## Ventilation



**LE SYSTÈME D'ÉCHAPPEMENT DES VÉHICULES CONTIENT DES VAPEURS NOCIVES MORTELLES.** Respirer ces vapeurs, même en de faibles concentrations, peut vous rendre malade ou même causer la mort. Ne faites jamais fonctionner un véhicule et ne laissez jamais un moteur en marche pendant que vous exécutez de la maintenance sur l'épandeuse dans un endroit clos sans vous assurer d'évacuer à l'air libre les gaz d'échappement.



# SNOWBEAR<sup>MD</sup>

Manuel du  
propriétaire


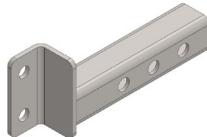





## Téléphones cellulaires

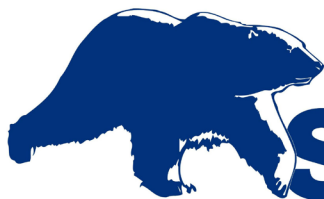


La première responsabilité d'un chauffeur est l'opération sécuritaire du véhicule. La chose à faire des plus importantes pour empêcher un accident de la route est d'éviter les distractions et de faire attention à la route. Attendez que ce soit sécuritaire avant de mettre en marche tout appareil de communications mobile comme les téléphones cellulaires, les dispositifs de messagerie texte, les récepteurs de radiomessagerie ou bien les appareils radio-émetteur-récepteur (par exemple, lorsque le véhicule est stationné).

## Liste des pièces de l'épandeuse

Avant de commencer, veuillez vérifier que toutes les pièces ci-dessous ont été fournies avec votre épandeuse.  
Votre épandeuse est emballée dans presque son entièreté dans une boîte.





ARTICLE N° 1 PIÈCE N° 324-223	L'ASSEMBLAGE DE L'ÉPANDEUSE POUR HAYON ARRIÈRE (AVEC DEUX (2) TÉLÉCOMMANDES PRÉ-JUMELLÉES SANS FIL) (QTÉ 1)	
ARTICLE N° 2 PIÈCE N° 298-178	ASSEMBLAGE DU RÉCEPTEUR D'ATTELAGE DE 2 PO/5,08 CM (QTÉ 1)	
ARTICLE N° 3 PIÈCE N° 250-761	5/8 PO-11 X 3,50 PO/1,59 CM-11 X 8,89 CM, VIS À TÊTE HEXAGONALE, 18-8 ACIER INOXYDABLE (QTÉ 2)	
ARTICLE N° 4 PIÈCE N° 253-255	5/8 PO-11 ÉCROU NYLOC, 18-8 ACIER INOXYDABLE (QTÉ 2)	
ARTICLE N° 5 PIÈCE N° 254-018	5/8 PO/1,59 CM RONDELLE PLATE SAE, 18-8 ACIER INOXYDABLE (QTÉ 4)	
ARTICLE N° 6 PIÈCE N° 263-320	Ø5/8 PO x 4,0 PO/1,59 CM X 10,16 CM GOUPILLE D'ATTELAGE avec CLIP-R (Non indiquées) (QTÉ 1)	
ARTICLE N° 7 PIÈCE N° 324-239	TROUSSE D'ASSEMBLAGE DU COUVERCLE EN PLASTIQUE RIGIDE (SANGLE ET SUPPORTS NON INDIQUÉS) (QTÉ 1)	

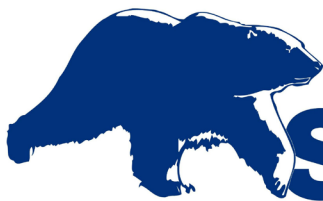


# SNOWBEAR<sup>MD</sup>

Manuel du  
propriétaire

## Liste d'outils d'assemblage

	Clé à cliquet
	15/16 po/2,38 cm Douille (Pour réglage en hauteur) 1/2 po/1,27 cm Douille (Pour réglage du déflecteur)
	15/16 po/2,38 cm, Clé à fourche (Pour réglage en hauteur)
	9/64 po/0,36 cm, Clé Allen à long bras (Pour réglages principaux à l'arbre (au besoin))



# SNOWBEAR<sup>MD</sup>

Manuel du  
propriétaire

## Système de télécommande sans fil SnowBear<sup>MD</sup>

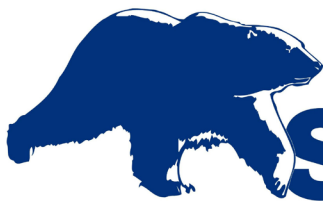
L'épandeur pour hayon arrière de SnowBear<sup>MD</sup> doit être opérée seulement lorsque le véhicule est en marche. Le non-respect du suivi de ces instructions peut causer une défaillance prématurée de la batterie de votre véhicule.

Lorsque le véhicule a été mis en marche, le moteur tourne et les phares sont allumés, le bouton vert « Marche » situé sur la clé fob fournie doit être enfoncé pour mettre en marche l'unité épandeur. Le bouton rouge « Arrêt » doit être enfoncé pour arrêter l'épandeur. Le témoin indicateur scintillera chaque fois qu'un des boutons se fait enfoncer.



L'épandeur a été équipée de deux manipulateurs sans fil clés fob et un récepteur éloigné; lequel a été installé à l'usine dans l'unité d'épandeur. Les deux clés fob sont déjà jumelées spécifiquement vers le récepteur; il n'y a donc aucun besoin d'effectuer un jumelage avec le système. De l'attention a été portée lors de l'emballage de l'unité de l'épandeur pour garder ensemble les télécommandes spécifiques avec le récepteur qui a été correctement jumelé.





## L'installation de l'épandeuse

### VUE D'ENSEMBLE :

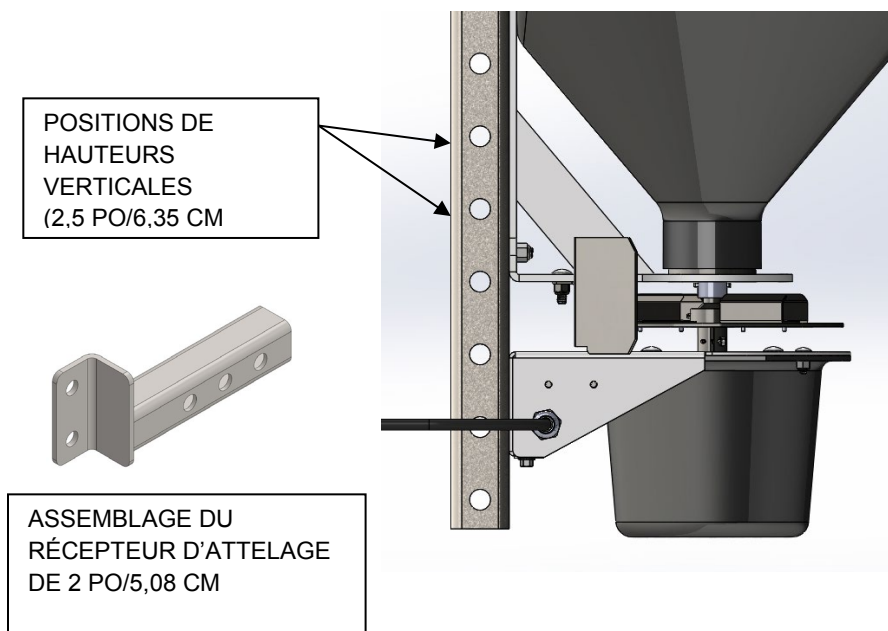
L'épandeuse pour hayon arrière de SnowBear<sup>MD</sup> utilise un accouplement d'attelage de remorque standard de 2 po/5,08 cm sur votre véhicule, et un connecteur standard à 4 broches pour l'attelage électrique. Chacun de ces dispositifs doit déjà être installé sur votre véhicule pour utiliser l'épandeuse.

### INSTALLATION :

L'épandeuse pour hayon arrière de SnowBear<sup>MD</sup> vient préassemblée de l'usine sauf pour l'accouplement d'attelage de remorque standard de 2 po/5,08 cm et la quincaillerie de montage connexe (le tout est fourni).

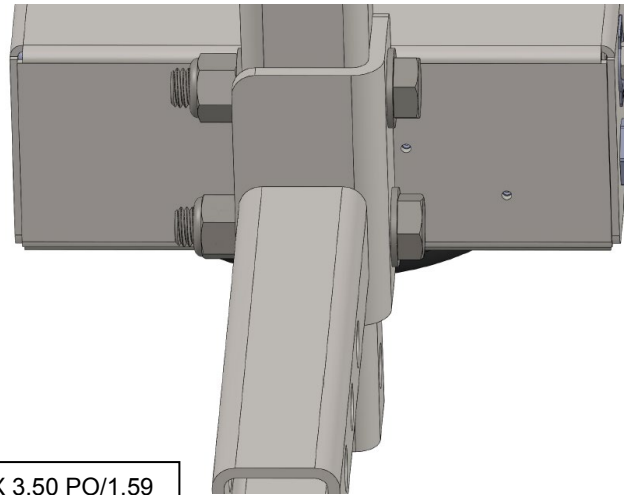
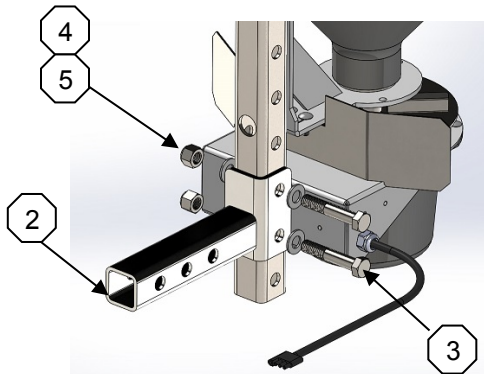
Pour installer l'accouplement d'attelage de remorque standard de 2 po/5,08 cm vers l'assemblage de l'épandeuse, veuillez sélectionner la hauteur optimale de votre application. L'épandeuse est dotée d'un nombre de positions verticales de montage de hauteur; lesquelles déplaceront l'assemblage de l'épandeuse vers le haut ou vers le bas de 2,5 po/6,35 cm par position. La hauteur optimale peut varier avec la hauteur de l'attelage du véhicule et la dispersion souhaitée, soit maximale ou minimale du matériau de l'application. Le plus haut se trouve l'assemblage de l'épandeuse, la plus élevée sera la dispersion du matériau par diamètre.

Le testage a été exécuté à environ 1 1/2 pi (18 po)/45,72 cm du sol jusqu'à la plaque de la centrifugeuse de l'épandeuse. Ceci a produit une dispersion approximative de 25 à 30 pi/7,62 m à 9,14 m de diamètre.

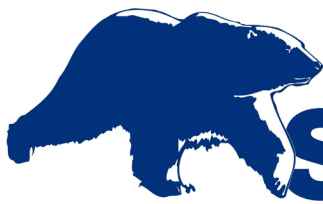




Une fois que votre hauteur souhaitée est déterminée, installez les deux boulons à tête hexagonale de 5/8 po-11 X 3,50 po/1,59 cm-11 X 8,89 cm et les rondelles sur le côté de support de l'assemblage du récepteur d'attelage de 2 po/5,08 cm et installez la rondelle et le contre-écrou 5/8 po-11/1,59 cm-11 sur le côté de la colonne verticale. Serrez-le jusqu'à ce qu'il n'y ait plus de mouvement depuis l'assemblage de l'épandeuse sur l'assemblage du récepteur d'attelage.

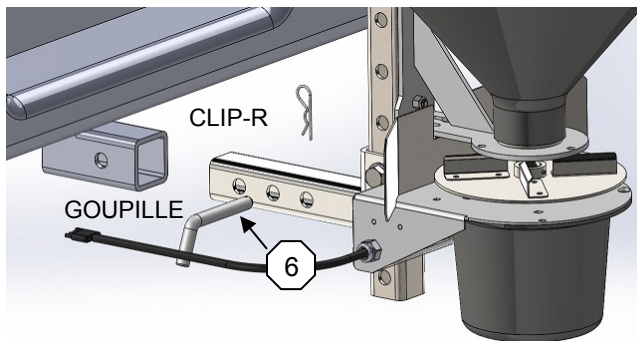


INSTALLEZ LE BOULON HEXAGONAL de 5/8 PO-11 X 3,50 PO/1,59 CM-11 X 8,89 CM ET LA RONDELLE SUR LE CÔTÉ D'ASSEMBLAGE DU RÉCEPTEUR D'ATTELAGE. LA RONDELLE ET LE BOULON VONT SUR LE CÔTÉ DE LA COLONNE VERTICALE.

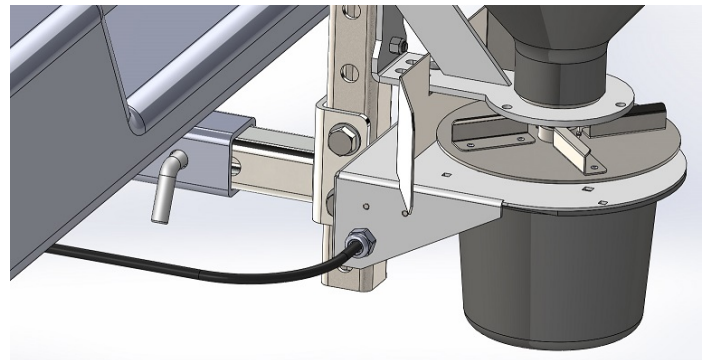


L'épandeur est prête à être installée vers le récepteur d'attelage de votre véhicule.

Tenez l'assemblage de l'épandeur jusqu'au récepteur d'attelage de 2 po/5,08 cm et faites-le glisser vers l'intérieur. Il existe trois trous dans l'assemblage du récepteur d'attelage de 2 po/5,08 cm pour permettre un réglage de profondeur horizontale dans l'assemblage du récepteur d'attelage du véhicule. Chaque trou est espacé de l'un l'autre par 2 po/5,08 cm. Lorsque l'assemblage de l'épandeur a été glissé à l'intérieur du récepteur d'attelage, observez jusqu'à ce qu'un des trous de l'assemblage s'aligne avec le récepteur d'attelage et installez la goupille d'attelage fournie. Insérez-la complètement et installez la Clip-R fournie à l'intérieur du trou de la goupille d'attelage pour fixer solidement l'assemblage.

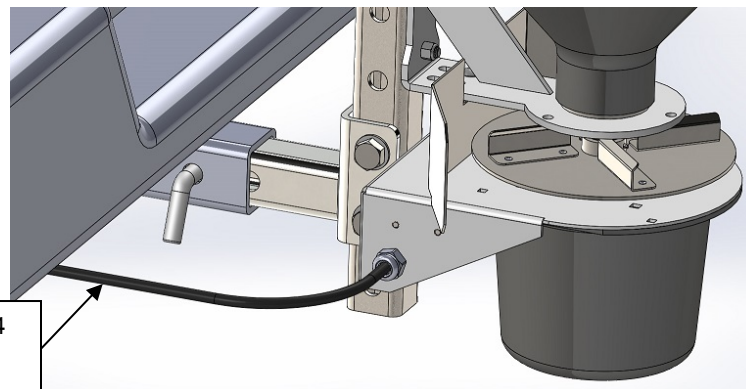


INSTALLEZ LE RÉCEPTEUR DE 2 PO/5,08 CM DE L'ASSEMBLAGE DE L'ÉPANDEUSE DANS LE RÉCEPTEUR D'ATTELAGE DE 2 PO/5,08 CM DU VÉHICULE. ALIGNEZ UN DES TROUS DE RÉGLAGE DE PROFONDEUR HORIZONTALE.



DÈS QUE LE TROU SÉLECTIONNÉ EST ALIGNÉ, INSTALLEZ LA GOUPILLE D'ATTELAGE ET LA CLIP-R POUR SÉCURISER L'ASSEMBLAGE.

Le connecteur à 4 broches peut maintenant se faire brancher dans la prise à 4 broches du véhicule (si le véhicule a un connecteur de 7 ou 9 broches, alors un adaptateur convenable doit être acheté). L'épandeur est maintenant prête à fonctionner.



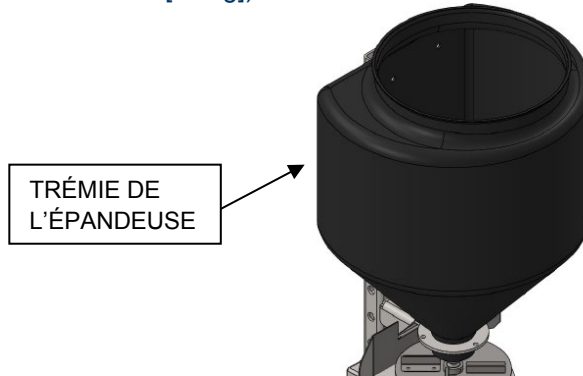
CONNECTEUR À 4 BROCHES ET ATTELAGE



# SNOWBEAR<sup>MD</sup>

## Manuel du propriétaire

La trémie d'épandeur a été conçue pour tenir environ 250 lb [115 kg] de matériau de sel en gemme en sac ou fondants de glace (sacs de ~4 à 5 à 55 lb [25 kg]).



Dès que la quantité souhaitée de matériau est versée à l'intérieur, et que la vitesse de la centrifugeuse est réglée, l'épandeur est prêt à être mis en marche.

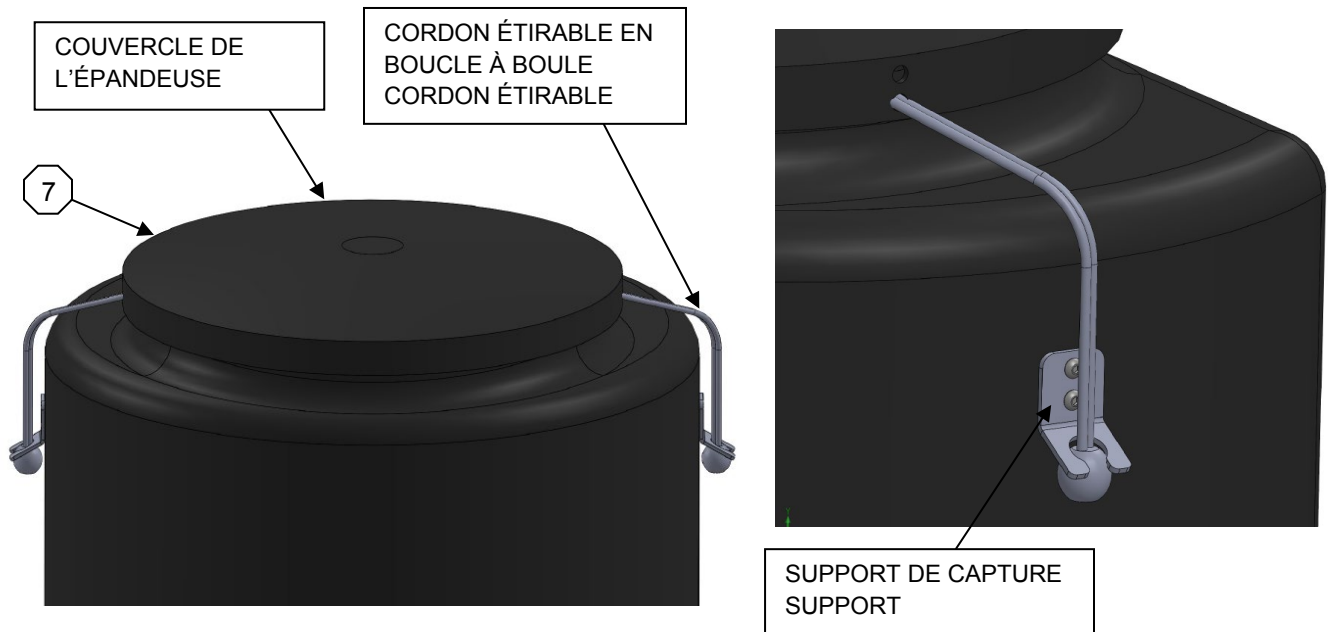
Avant de conduire le véhicule, assurez-vous que les phares du véhicule sont allumés et veillez à ce que le système de l'épandeur soit fonctionnel en poussant le bouton « MARCHE » sur le manipulateur sans fil de la clé fob. Si le pivotement est en cours et que le matériau s'écoule, le système est prêt à épandre. Enfoncez le bouton « ARRÊT » pour arrêter l'épandeur. Commencez à conduire le véhicule, et lorsque vous avez atteint la zone souhaitée, là où vous voulez épandre le matériau; enfoncez le bouton « MARCHE » et continuez jusqu'à ce que la zone requise soit couverte et enfoncez le bouton « ARRÊT » pour cesser d'épandre.



### INSTALLATION DU COUVERCLE DE L'ÉPANDEUSE

L'épandeur pour hayon arrière SnowBear<sup>MD</sup> vient standard avec un couvercle en plastique rigide. Le couvercle est apposé sur la trémie d'épandeur par deux cordons étirables en boucle à boules; lesquels doivent être installés sur le couvercle et verrouillés aux supports de capture préinstallés.

Étirez les cordons en boucle à boules et enclenchez-les sous les supports de capture et lâchez-les. Pour retirer le couvercle, tirez sur les cordons étirables et vers l'extérieur de sous les supports de capture.





## Maintenance générale

L'épandeuse pour hayon arrière SnowBear<sup>MD</sup> est normalement d'un entretien nul, mais nous avons quelques recommandations pour aider à assurer un grand nombre de saisons sans problèmes de fonctionnement.

**AVERTISSEMENT** : N'enlevez jamais l'épandeuse s'il y a encore du matériau dans la trémie. Veuillez toujours la vider avant de l'enlever.

### MISE EN GARDE :

- Déconnectez la puissance électrique à la connexion de la fiche de l'attelage électrique de l'épandeuse avant d'effectuer un service ou de la maintenance.
- Lorsqu'il s'agit de remplacer des pièces, n'utilisez que des pièces originales du fabricant. Le non-respect de cette procédure annulera la garantie.
- Le récepteur éloigné est une unité électronique à état solide et elle n'est pas réparable. Toute tentative d'effectuer un service annulera la garantie.
- Il n'existe aucune pièce réparable dans l'ensemble moteur. Toute tentative d'effectuer un service annulera la garantie.
- Lors d'un lavage à la pression de la zone du moteur et de la zone électrique de l'épandeuse; tenez-vous à une distance d'au moins 48 po [1,2 m] et évitez de diriger la pulvérisation directement dans les ouvertures pour éviter l'intrusion excessive d'eau.
- Lors de l'enlèvement ou du montage, saisissez fermement l'épandeuse pour empêcher une chute de celle-ci.

### APRÈS CHAQUE USAGE

- Ne laissez pas de matériau non utilisé dans la trémie. Le matériau peut geler et/ou bien se solidifier et ceci peut causer un fonctionnement défectueux de l'unité. Videz et nettoyez-la après chaque usage.
- Lavez la trémie et rincez toutes les surfaces externes, particulièrement la centrifugeuse et les zones du déflecteur.
- Appliquez de la graisse diélectrique sur les fiches des connecteurs à 4 broches pour empêcher la corrosion.

### À LA FIN DE CHAQUE SAISON OU BIEN APRÈS UN ENTREPOSAGE PROLONGÉ

- Lavez la trémie et rincez toutes les surfaces externes.
- Appliquez de la graisse diélectrique sur les fiches des connecteurs à 4 broches pour empêcher la corrosion.
- Peinturez toutes les surfaces nues, en acier non inoxydable et les surfaces métalliques pour empêcher la corrosion.

### ENTREPOSAGE

- Entrez l'épandeuse dans un endroit propre, sec et de préférence au loin de la lumière directe du soleil.



### Dépannage de l'épandeuse pour hayon arrière

PROBLÈMES	CAUSES	COMMENT EFFECTUER LA CORRECTION
L'épandeuse ne fonctionne pas	<ol style="list-style-type: none"> <li>1. Connexion électrique</li> <li>2. Mauvais moteur</li> <li>3. Connexion à fil lâche vers le commutateur ou le récepteur</li> <li>4. Corrosion</li> <li>5. Fusible grillé</li> <li>6. Vérifiez la batterie</li> <li>7. Vis sans fin d'alimentation bloquée</li> <li>8. Les phares sur le véhicule ne sont pas allumés (d'ordinaire l'attelage du faisceau de câblage fait partie du circuit d'éclairage)</li> </ol>	<ol style="list-style-type: none"> <li>1. Vérifiez la fiche à 4 broches et assurez-vous qu'elle est branchée correctement</li> <li>2. Contactez le distributeur pour obtenir un remplacement</li> <li>3. Ouvrez l'enveloppe électrique et vérifiez les connexions du commutateur et du récepteur et réparez-les au besoin</li> <li>4. Vérifiez toutes les connexions électriques pour de la corrosion et réparez-les au besoin</li> <li>5. Trouvez le fusible grillé et remplacez-le</li> <li>6. Effectuez un essai de charge de la batterie Chargez à nouveau la batterie du véhicule au besoin</li> <li>7. Débranchez l'épandeuse et retirez le blocage Si la vis sans fin d'alimentation est endommagée, réparez-la ou remplacez-la</li> <li>8. Allumez les phares du véhicule</li> </ol>
Le matériau ne s'écoule pas	<ol style="list-style-type: none"> <li>1. La trémie de l'épandeuse est vide</li> <li>2. Le matériau s'est solidifié; il est collé à la paroi; il existe une obstruction du matériau</li> <li>3. La vis sans fin d'alimentation pivote à la renverse</li> <li>4. La vis sans fin d'alimentation est brisée</li> </ol>	<ol style="list-style-type: none"> <li>1. Remplissez à nouveau la trémie de l'épandeuse avec le matériau voulu</li> <li>2. Pendant que l'épandeuse est débranchée, utilisez un tourne-vis ou une tige rigide pour briser le matériau jusqu'à ce qu'il atteigne la consistance convenable.</li> <li>3. Changez la polarité du moteur</li> <li>4. La vis sans fin d'alimentation doit être remplacée</li> </ol>





<p><b>L'épandeuse ne répond pas à la clé fob</b></p>	<ol style="list-style-type: none"><li>1. La fiche n'est pas sécurisée</li><li>2. Aucune puissance du véhicule vers le connecteur</li><li>3. La pile de la clé fob est faible</li><li>4. Problème de portée</li><li>5. Connexion de contrôle</li><li>6. Les phares du véhicule ne sont pas allumés</li></ol>	<ol style="list-style-type: none"><li>1. Entrez fermement la fiche de connexion à 4 broches</li><li>2. Veillez à ce que le véhicule soit en marche et que la puissance se rend vers le connecteur de la fiche</li><li>3. Remplacez la batterie</li><li>4. Essayez d'utiliser la clé fob à courte proximité de l'épandeuse; si l'unité fonctionne, remplacez la pile. Si elle ne fonctionne pas, vérifiez les connexions électriques</li><li>5. Enlevez le couvercle de prise de courant électrique et vérifiez toutes les connexions</li><li>6. Allumez les phares du véhicule</li></ol>
--	---	--



**SNOWBEAR<sup>MD</sup>**

Manuel du  
propriétaire

## Renseignements de la garantie SnowBear<sup>MD</sup>

Veillez voir la version la plus récente de la garantie de l'épandeuse pour hayon arrière SnowBear<sup>MD</sup> laquelle peut être trouvée en ligne au :

<http://www.snowbear.com/UserContent/documents/warranty.pdf>

Autrement, veuillez appeler l'assistance téléphonique client au (800) 337-2327.