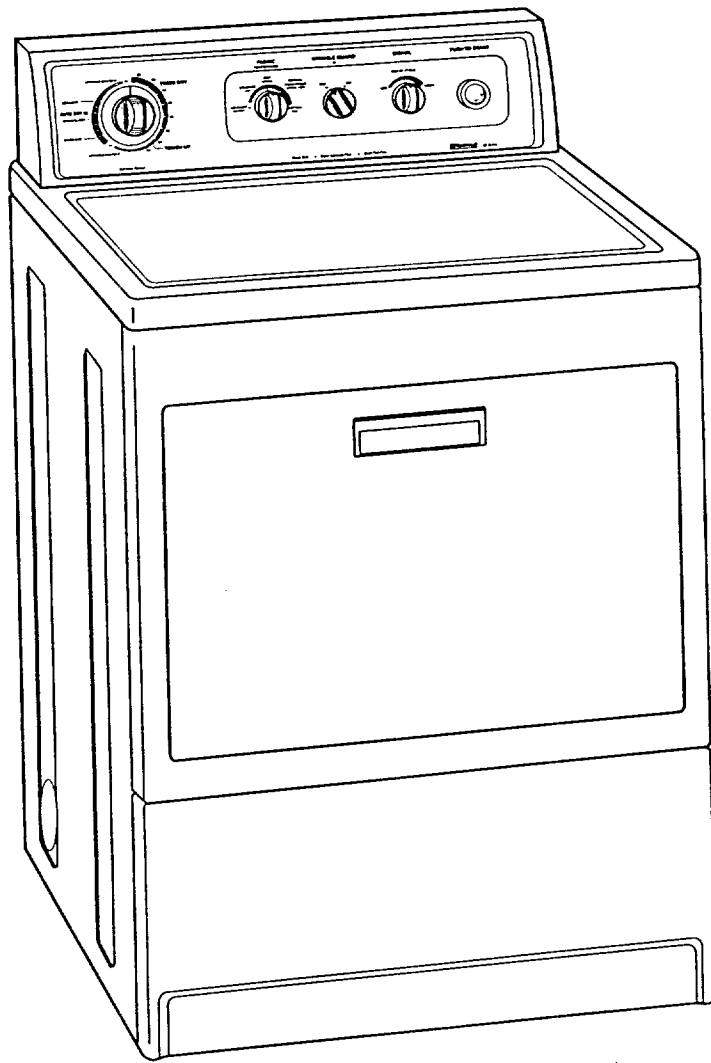


Owner's Manual and Installation Instructions



27-Inch Wide ELECTRIC DRYERS



IMPORTANT:
Read and follow all safety
and operating instructions
before first use of this product.

Your dryer may look different
from the dryer shown.

Sears, Roebuck and Co., Hoffman Estates, IL 60179 U.S.A.

PART NO. 3405602

PRINTED IN U.S.A.

WARRANTY/SAFETY

INSTALLATION

OPERATION

LAUNDRY TIPS

MAINTENANCE

TROUBLESHOOTING

SERVICE

ESPAÑOL

TABLE OF CONTENTS

BEFORE USING YOUR NEW DRYER	2
SEARS ELECTRIC DRYER WARRANTY	3
IMPORTANT SAFETY INSTRUCTIONS	4
INSTALLATION INSTRUCTIONS	5
OPERATING YOUR DRYER	25
LAUNDRY TIPS	32
CARING FOR YOUR DRYER	34
TROUBLESHOOTING	38
SEARS MAINTENANCE AGREEMENT	40

BEFORE USING YOUR NEW DRYER

Please read this manual. It will help you install and operate your new Kenmore dryer in the safest and most economical way.

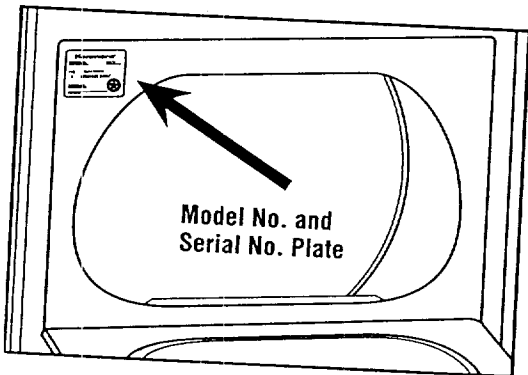
For more information about the care and operation of Kenmore appliances call your nearest Sears store. You will need the complete model and serial numbers when requesting information. Your dryer's model and serial numbers are located on the Model and Serial Number Plate.

Use the space below to record the model number and serial number of your new Kenmore Dryer.

Model No. _____

Serial No. _____

Date of Purchase _____



Keep this book and your Sears Salescheck (receipt) in a safe place for future reference.

SEARS ELECTRIC DRYER WARRANTY

WARRANTY/SAFETY

FULL 1-YEAR WARRANTY ON MECHANICAL AND ELECTRICAL PARTS

For one year from the date of purchase, when this dryer is installed and operated according to the instructions in the Owner's Manual, Sears will repair or replace any mechanical or electrical parts in this dryer, if defective in material or workmanship.

This warranty does not cover service calls to correct improper installation, including dryers that have been vented with plastic or flexible foil.

If the dryer is subjected to other than private family use, the above warranty coverage is effective for only 90 days.

WARRANTY SERVICE IS AVAILABLE BY CONTACTING THE NEAREST SEARS SERVICE CENTER IN THE UNITED STATES.

This warranty applies only while this product is in use in the United States. This warranty gives you specific legal rights, and you may also have other rights which vary from state to state.

**Sears Roebuck and Co., Dept. 817WA,
Hoffman Estates, IL 60179.**

NOTE: Proper installation to comply with the dryer's warranty is found in the Installation Instructions of this Owner's Manual.

Your safety and the safety of others is very important.

We have provided many important safety messages in this manual and on your appliance. Always read and obey all safety messages.



This is the safety alert symbol. This symbol alerts you to hazards that can kill or hurt you and others. All safety messages will be preceded by the safety alert symbol and the word "DANGER" or "WARNING." These words mean:

⚠ DANGER

You will be killed or seriously injured if you don't follow instructions.

⚠ WARNING

You can be killed or seriously injured if you don't follow instructions.

All safety messages will identify the hazard, tell you how to reduce the chance of injury, and tell you what can happen if the instructions are not followed.

IMPORTANT SAFETY INSTRUCTIONS

YOUR SAFETY IS IMPORTANT TO US.

WARNING: To reduce the risk of fire, electric shock, or injury to persons when using your dryer, follow basic precautions, including the following:

- Read all instructions before using the dryer.
- Do not dry articles that have been previously cleaned in, washed in, soaked in, or spotted with gasoline, dry-cleaning solvents, other flammable or explosive substances as they give off vapors that could ignite or explode.
- Do not allow children to play on or in the dryer. Close supervision of children is necessary when the dryer is used near children.
- Before the dryer is removed from service or discarded, remove the door to the drying compartment.
- Do not reach into the dryer if the drum is moving.
- Do not install or store this dryer where it will be exposed to the weather.
- Do not tamper with controls.
- Do not repair or replace any part of the dryer or attempt any servicing unless specifically recommended in the Owner's Manual or in published user-repair instructions that you understand and have the skills to carry out.
- Do not use fabric softeners or products to eliminate static unless recommended by the manufacturer of the fabric softener or product.
- Do not use heat to dry articles containing foam rubber or similarly textured rubber-like materials.
- Clean lint screen before or after each load.
- Keep area around the exhaust opening and adjacent surrounding areas free from the accumulation of lint, dust, and dirt.
- The interior of the machine and exhaust duct should be cleaned periodically by qualified service personnel.

SAVE THESE INSTRUCTIONS

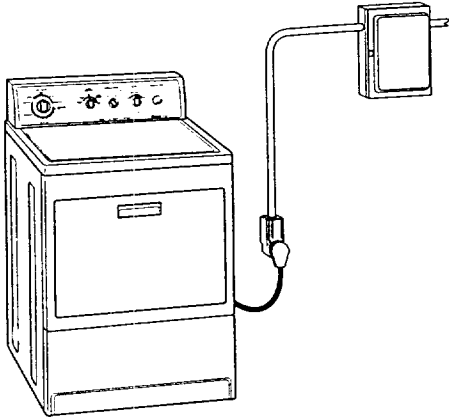
IMPORTANT: Observe all governing codes and ordinances.

INSTALLATION INSTRUCTIONS

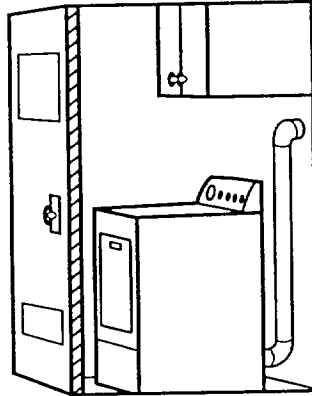
INSTALLATION OVERVIEW

For a complete list of tools and parts needed, see pages 5-7.

A. SELECT LOCATION FOR YOUR DRYER (pgs. 8-9) Standard Installation (p. 8)

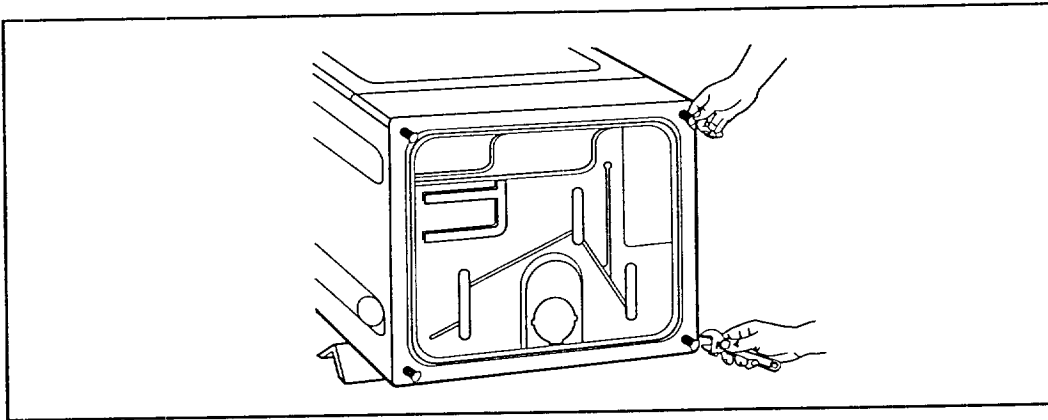


Recessed Area/ Closet Installation Instructions (p. 9)



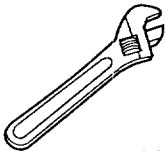
INSTALLATION

B. INSTALL LEVELING LEGS (p. 10)

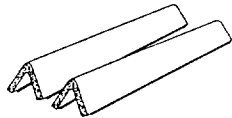


Tools Needed:

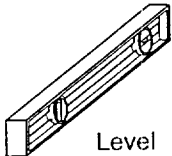
Parts Needed:



Adjustable wrench



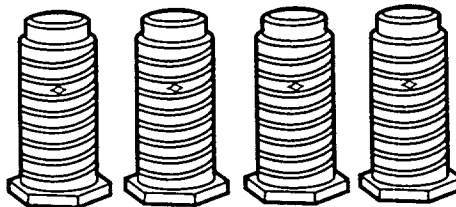
Two corner posts (from dryer carton)



Level

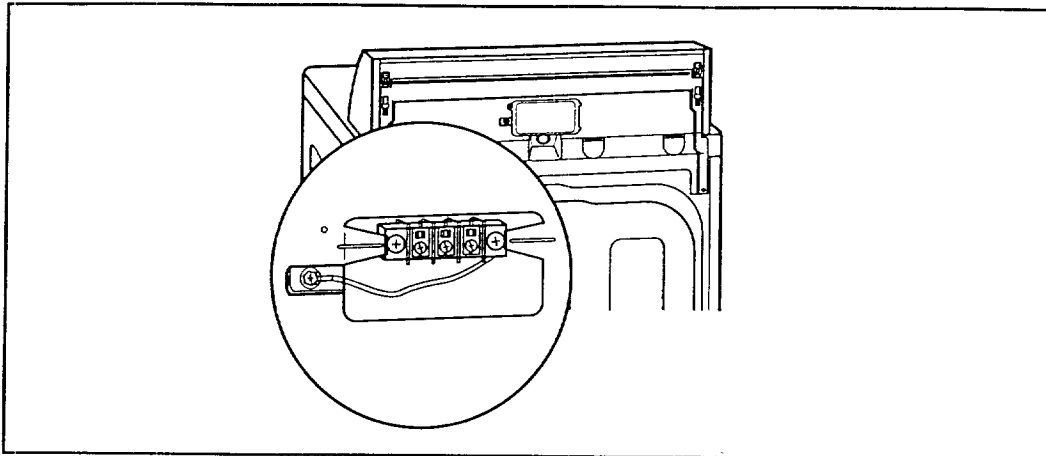


Flashlight (optional depending on installation)



4 leveling legs (supplied with dryer)

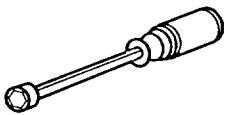
C. MAKE ELECTRICAL CONNECTION (pgs. 11-19)



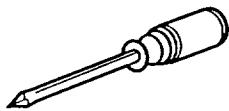
If using a power cord:

Tools Needed:

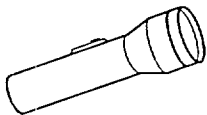
Parts Needed:



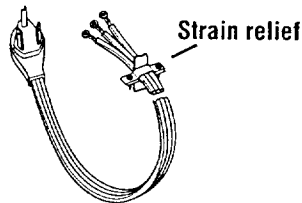
1/4-Inch nut driver (shown) or socket wrench



#2 Phillips head screwdriver



Flashlight (optional depending on installation)

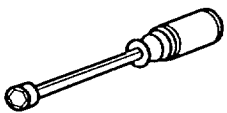


New 3- or 4-wire, 30-amp. U.L.-listed power supply cord kit (includes strain relief)

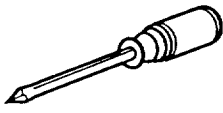
If making a direct wire connection:

Tools Needed:

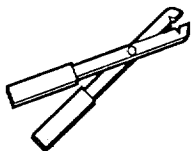
Parts Needed:



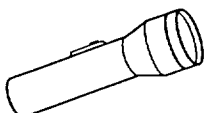
1/4-Inch nut driver (shown) or socket wrench



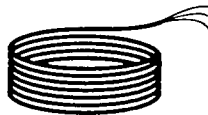
#2 Phillips head screwdriver



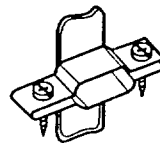
Wire stripper



Flashlight (optional depending on installation)

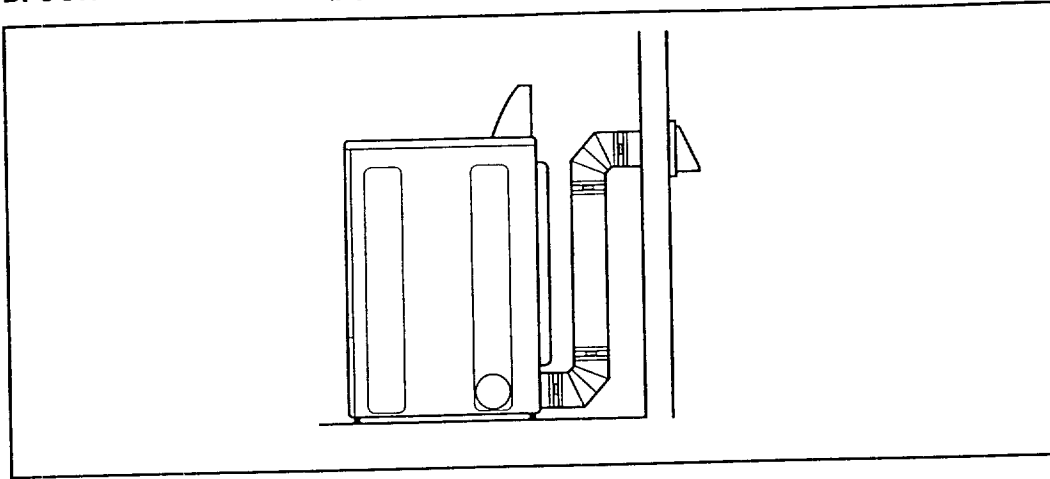


3- or 4-wire, flexible armored or non-metallic sheathed copper cable (with grounding wire)



Strain relief

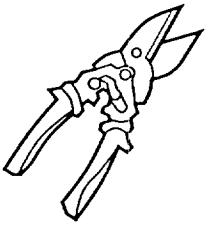
D. CONNECT EXHAUST (pgs. 19-23)



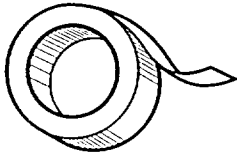
INSTALLATION

Tools Needed:

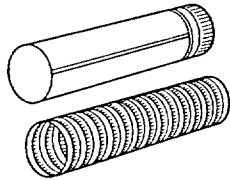
Parts Needed:



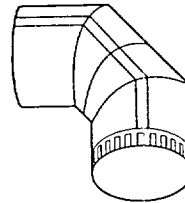
Tin snips



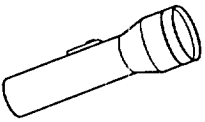
Duct tape



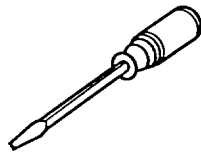
4-Inch heavy or flexible metal vent



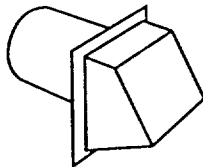
4-Inch metal elbow(s)
(optional depending on installation)



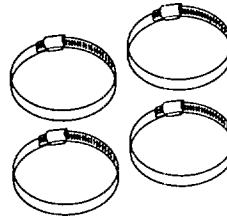
Flashlight (optional depending on installation)



Flat-bladed screwdriver



4-Inch outlet exhaust hood



(4) 4-Inch diameter clamps

A. SELECT LOCATION FOR YOUR DRYER

for your **Benefit**

Selecting the proper location for your dryer makes installation easier and gives you the best drying performance.


STANDARD INSTALLATION

Check location where dryer will be installed. Proper installation is your responsibility. Make sure you have everything necessary for correct installation including proper floor support, a level floor, and a separate 30-amp. fuse.

- Protect dryer from the weather. Proper operation of dryer cycles requires temperatures above 45°F. At lower temperatures, the dryer may not shut off at the end of automatic cycles. Drying times will be extended.

- Check code requirements. Some codes limit or do not permit installation of clothes dryers in garages, closets, mobile homes, or sleeping quarters. Contact your local building inspector.

⚠ WARNING

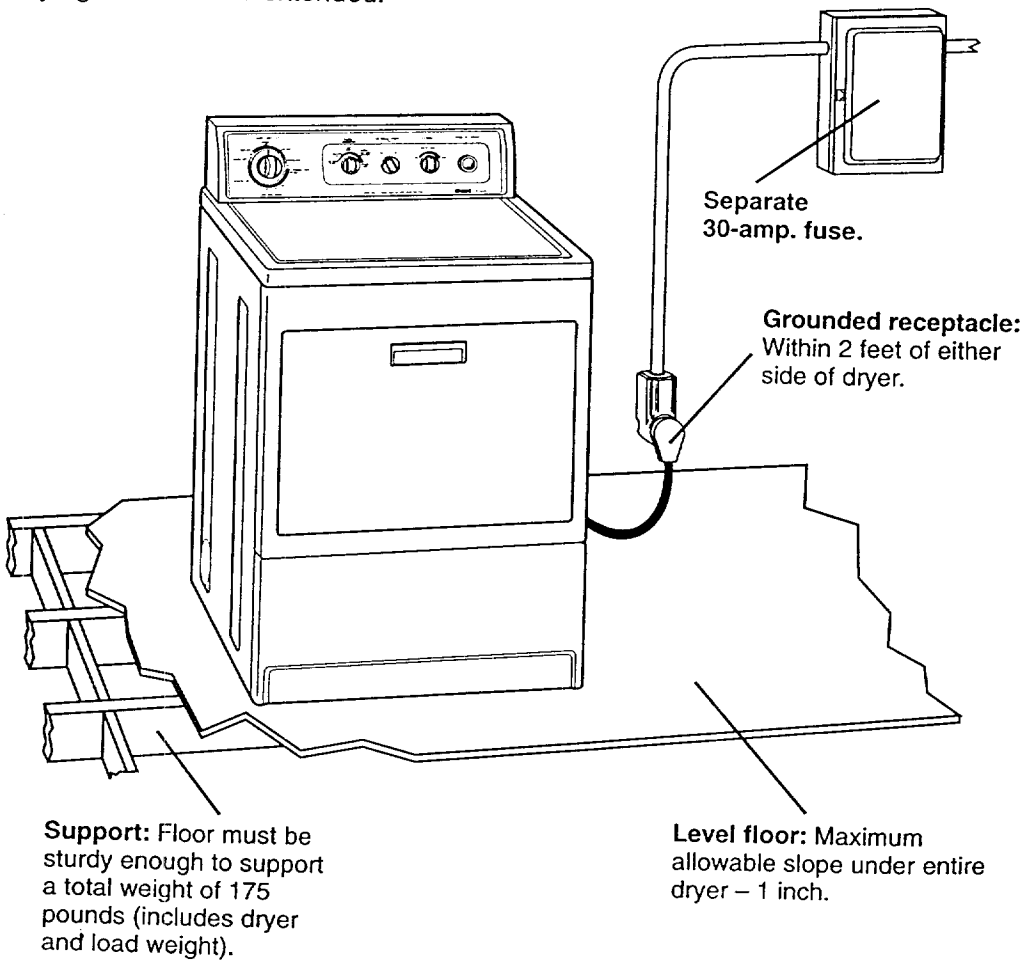


Explosion Hazard

Keep flammable materials and vapors, such as gasoline, away from dryer.

Place dryer at least 18 inches above the floor for a garage installation.

Failure to follow these instructions can result in death, explosion, or fire.



RECESSED AREA/CLOSET INSTALLATION INSTRUCTIONS

Check governing codes and ordinances. This dryer may be installed in a recessed area or closet.

Confined or Recessed Area Installation
Exhausting the dryer outside is recommended. The moisture and lint indoors may cause:

- Lint to gather inside and around the dryer and be a fuel for a fire.
- Moisture damage to woodwork, furniture, paint, wallpaper, carpet, etc.
- Housecleaning problems and possible health problems.

Recessed installation that is not exhausted outside must use Exhaust Deflector Kit Part No. 3391278. This kit is available at your local Sears store or Sears Service Center.

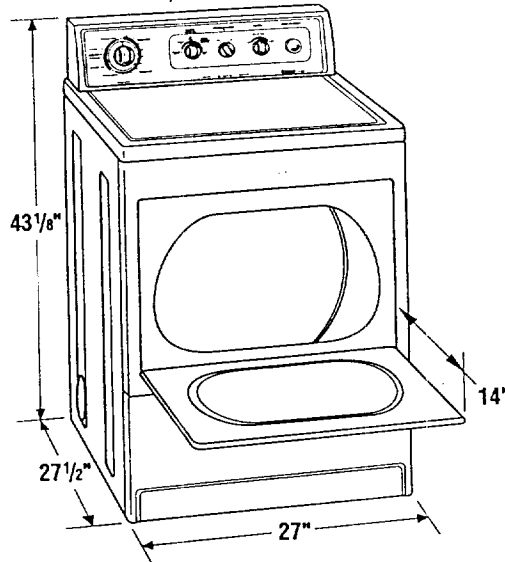
Closet Installation

WARNING: To reduce the risk of fire, this appliance must be exhausted outdoors when installed in a closet.

NOTE: No fuel burning appliances may be installed in the same closet as a dryer.

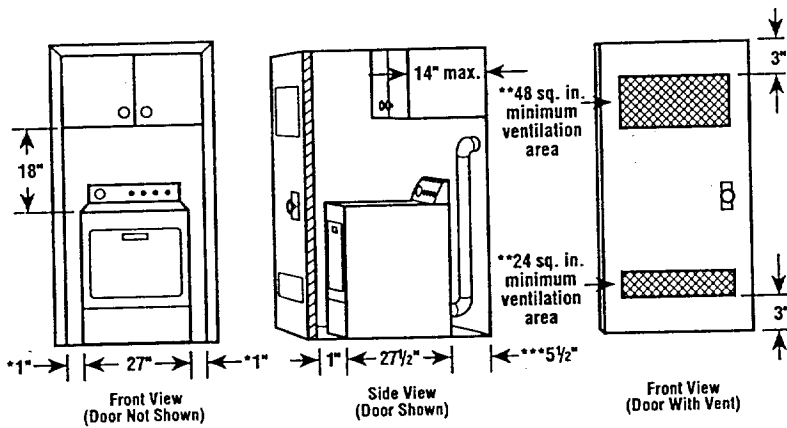
PRODUCT DIMENSIONS

Location must be large enough to fully open dryer door.



EZ Loader Hamper Door

INSTALLATION



MINIMUM INSTALLATION SPACING. Closet installation **MUST** be exhausted outside.
 * Additional clearances for wall, door and floor moldings may be required. 0" clearance is acceptable but not recommended.
 ** Opening is minimum for closet door. Louvered door with equivalent air openings is acceptable.
 *** Additional space is needed when external exhaust elbow is used. Can be 0" clearance when house exhausting is lined up directly with dryer exhaust.

- The installation spacing is in inches and is the minimum allowable.
- Additional spacing should be considered for ease of installation and servicing.
- If closet door is installed, the minimum air openings in top and

bottom are required. Louvered doors with equivalent air openings in top and bottom are acceptable.

- Closet installation must be exhausted outside. Other installations must use at least the minimum dimensions indicated.

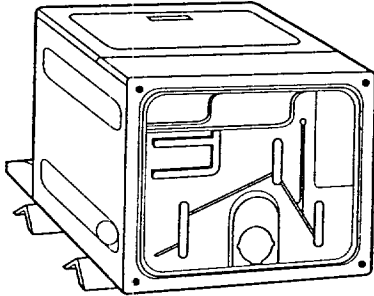
B. INSTALL LEVELING LEGS

for your **Benefit**

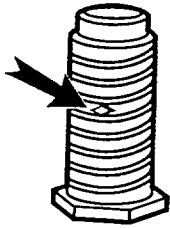
Leveling your dryer correctly will reduce operating noise and provide improved drying performance.

STEP 1. Take two of the cardboard corners from the carton. Place them on the floor in back of the dryer.

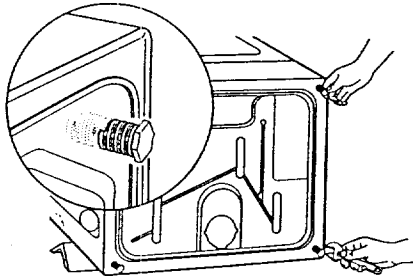
STEP 2. Firmly grasp the body of the dryer (not the top or console panel). Gently lay dryer on the cardboard corners.



STEP 3. With one of the legs in hand, check the ridges for a diamond marking.

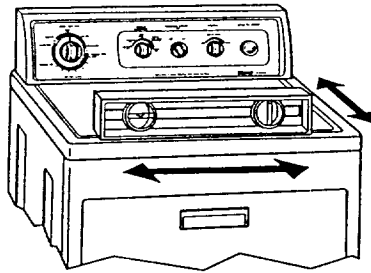


STEP 4. Start to screw the legs into the holes by hand. Use a wrench to finish turning the legs until diamond marking is no longer visible. This is when we recommend you start checking the dryer for levelness. Further adjustment may be necessary.

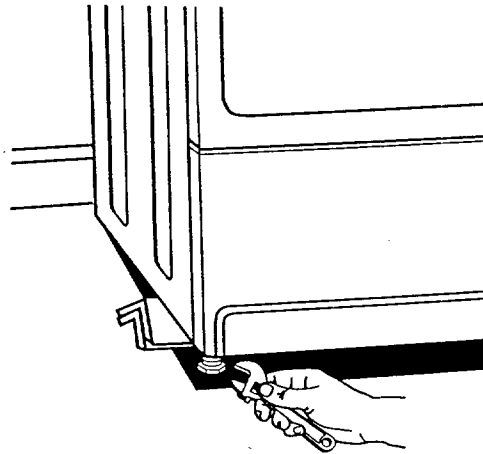


STEP 5. Now stand the dryer up and move it close to its final location. Leave enough room to connect the exhaust vent.

STEP 6. Check levelness of dryer by placing a level on top of the dryer, first side-to-side; then front-to-back.



STEP 7. If dryer is not level, prop the dryer up using two stacked cardboard corner posts. Use a wrench to adjust the legs up or down.



NOTE: It may be necessary to level the dryer again after it is moved into its final position.

C. MAKE ELECTRICAL CONNECTION

It is your responsibility:

- To contact a qualified electrical installer.
- To assure that the electrical installation is adequate and in conformance with the National Electrical Code, ANSI/NFPA 70-latest edition and all local codes and ordinances.

Copies of the code standards listed above may be obtained from:

National Fire Protection Association
Batterymarch Park
Quincy, Massachusetts 02269

ELECTRICAL REQUIREMENTS

for your **Benefit**

The proper electrical connection ensures a safe installation that meets local code requirements.

A three-wire or four-wire, single phase 120/240-volt, 60-Hz., AC-only, electrical supply (or three-wire or four-wire, 120/208-volt if specified on serial/rating plate) is required on a separate 30-ampere circuit, fused on both sides of the line. A time-delay fuse or circuit breaker is recommended.

This dryer is manufactured with the 3-wire, frame-grounding conductor connected to the NEUTRAL (center) of the wiring harness of the terminal block. Do not have a fuse in the neutral or grounding circuit. A fuse in the neutral or grounding circuit could result in an electrical shock.

Use a 4-conductor cord when the dryer is installed in a mobile home or an area where local codes do not permit grounding through the neutral.

INSTALLATION

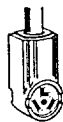
ELECTRICAL CONNECTION OPTIONS

If Your Home Has:

And You Will Be Connecting To:

Go To Page

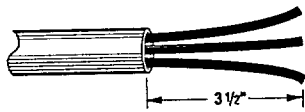
A 3-wire electrical receptacle (NEMA Type 10-30R)



A U.L.-listed, 120/240-volt minimum, 30-amp., dryer power supply cord.*

12 – I.

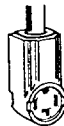
3-wire direct



A fused disconnect or circuit breaker box.*

13 – II.

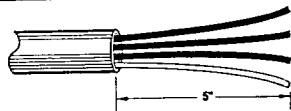
A 4-wire electrical receptacle (NEMA Type 14-30R)



A U.L.-listed, 120/240-volt minimum, 30-amp., dryer power supply cord.

16 – III.

4-wire direct



A fused disconnect or circuit breaker box.


18 – IV.

*If local codes do not permit the connection of a frame-grounding conductor to the neutral wire, see the instructions on page 15.

I. THREE-WIRE ELECTRICAL CONNECTION TO RECEPTACLE

Use a 3-wire power supply cord:

⚠ WARNING



Electrical Shock Hazard

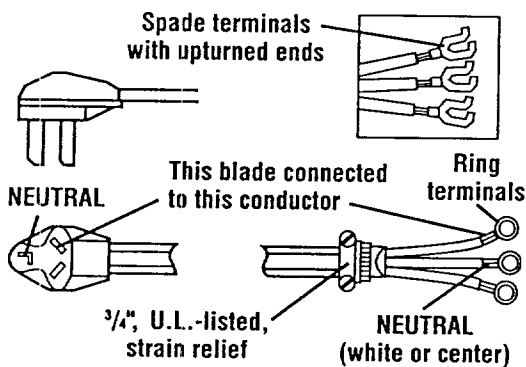
Turn power supply off before connecting cord.

Use a new 30-ampere power supply cord.

Plug into a grounded outlet.

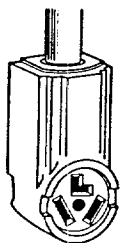
Failure to follow these instructions can result in death, fire, or electrical shock.

Local codes may permit the use of a U.L.-listed, 120/240-volt minimum, 30-ampere, dryer power supply cord kit (pigtail). Power supply cord should be type SRD or SRDT and be at least four feet long. The wires that connect to the dryer must end with ring terminals or spade terminals with upturned ends.



Three-wire power supply cord

The power supply cord must have three, No.-10 copper wires to match a three-wire receptacle of NEMA Type 10-30R.



Three-wire receptacle (NEMA Type 10-30R)

Do not use an extension cord with this dryer.

Do not connect plug end of power supply cord into a live receptacle before connecting power supply cord to dryer terminal block.

GROUNDING INSTRUCTIONS

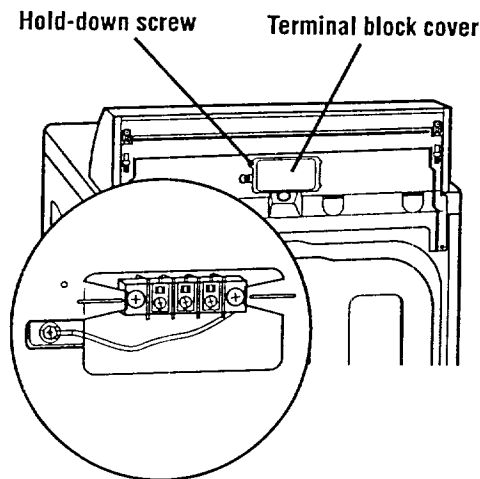
This appliance must be grounded. In the event of malfunction or breakdown, grounding will reduce the risk of electric shock by providing a path of least resistance for electric current. The power supply cord must be plugged into an appropriate outlet that is properly installed and grounded in accordance with all local codes and ordinances.

WARNING: Improper connection of the equipment-grounding conductor can result in a risk of electric shock. Check with a qualified electrician or serviceman if you are in doubt as to whether the appliance is properly grounded.

Do not modify the plug on the power supply cord. If it will not fit the outlet, have a proper outlet installed by a qualified electrician.

STEP 1. Turn power supply off.

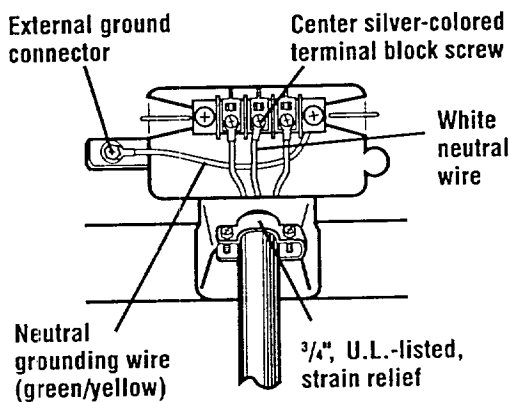
STEP 2. Remove hold-down screw and terminal block cover.



STEP 3. Attach a 3/4-inch, U.L.-listed, strain relief to the hole below terminal block opening. Strain relief should have a tight fit with dryer cabinet and be in a horizontal position. Put the power supply cord through the strain relief.

STEP 4. Loosen or remove terminal block screws. Connect the neutral wire (white or center) of power supply cord under the center screw of the terminal block.

STEP 5. Connect the other two wires to outer terminal block screws. Tighten all terminal block screws firmly.



3-Wire Connection with Frame-Grounding Conductor

STEP 6. Tighten the strain relief screws.

STEP 7. Insert tab of terminal block cover into slot of the dryer rear panel. Secure cover with hold-down screw.


If local codes do not permit the connection of a frame-grounding conductor to the neutral wire, see the instructions on page 15.

Otherwise, proceed with Exhaust Installation. See "CONNECT EXHAUST" on page 19.

II. THREE-WIRE ELECTRICAL CONNECTION (DIRECT WIRE)

Prepare cable as directed:

! WARNING



Electrical Shock Hazard

Turn power supply off before connecting wires.

Use 10 gauge solid copper wire.

Electrically ground dryer.

Failure to follow these instructions can result in death, fire, or electrical shock.

INSTALLATION

The dryer can be connected directly to fused disconnect or circuit breaker box with three-wire, flexible armored or non-metallic sheathed copper cable (with grounding wire). All current-carrying wires must be insulated.

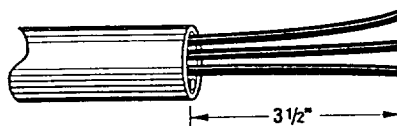
A conduit connector must be installed at junction box. Allow four feet of slack in the line so dryer can be moved if servicing is ever necessary.

GROUNDING INSTRUCTIONS

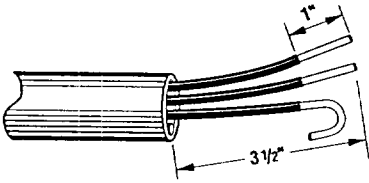
This appliance must be connected to a grounded metal, permanent wiring system; or an equipment-grounding conductor must be run with the circuit conductors and connected to the equipment-grounding terminal or lead on the appliance.

STEP 1. Turn power supply off.

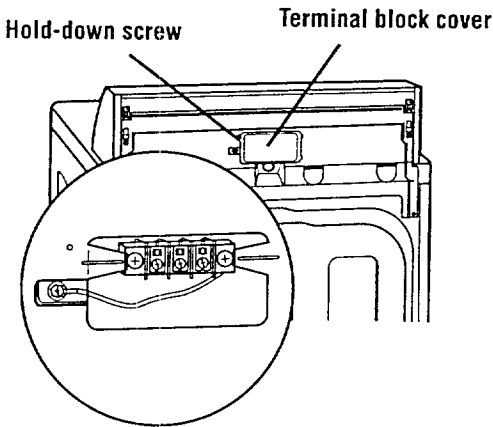
STEP 1a. Strip 3 1/2 inches of outer covering from end of cable. If using 3-wire cable with grounding wire, cut the bare wire even with outer covering.



STEP 1b. Cut 1 inch of insulation from the end of each insulated wire. Shape the end of each wire into a "U" shaped hook.



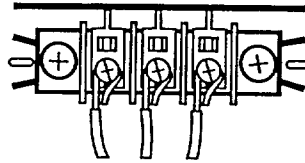
STEP 2. Remove hold-down screw and terminal block cover.



STEP 3. Attach a 3/4-inch, U.L.-listed, strain relief to the hole below terminal block opening. Strain relief should have a tight fit with dryer cabinet and be in a horizontal position. Put the direct wire cable through the strain relief.

STEP 4. Loosen or remove terminal block screws. Connect the neutral wire (white or center) of direct wire cable under the center screw of the terminal block.

STEP 4a. Place the hook-shaped end of the wire over the terminal block screw. The open side of the hook should face to the right. Squeeze hook end of wire together to form a loop.



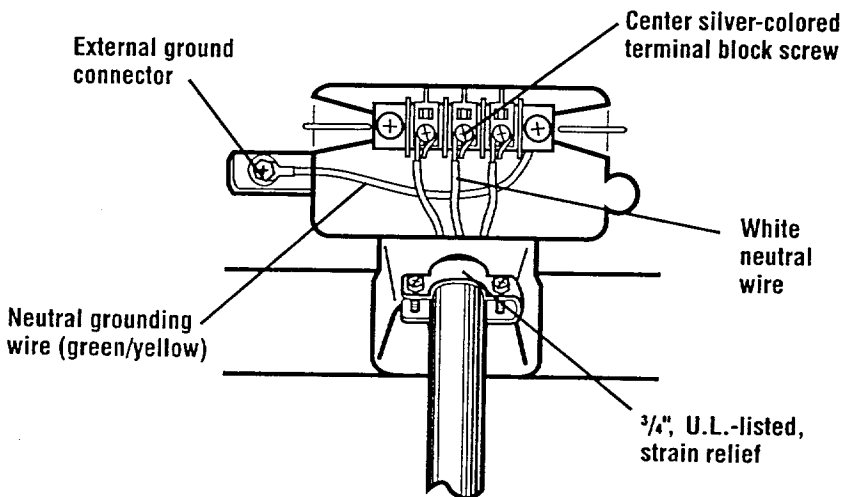
STEP 5. Connect the other two wires to outer terminal block screws using the same method(s) described in STEP 4a. Tighten all terminal block screws firmly.

STEP 6. Tighten the strain relief screws.

STEP 7. Insert tab of terminal block cover into slot of the dryer rear panel. Secure cover with hold-down screw.

If local codes do not permit the connection of a frame-grounding conductor to the neutral wire, see the instructions on page 15.

Otherwise, proceed with Exhaust Installation. See "CONNECT EXHAUST" on page 19.



3-Wire Connection with Direct Wire and Frame-Grounding Conductor

ALTERNATE CONNECTION:

If local codes do not permit the connection of a frame-grounding conductor to the neutral wire:

STEP 1. Make sure the power supply to the dryer is off.

STEP 2. Make sure the power supply cord or direct wire cable is in place (see steps 1-3 on pages 12-13 for power cord connections or steps 1-3 on pages 13-14 for direct wire connection).

STEP 3. Remove the neutral grounding wire (green/yellow wire) from external grounding connector screw. Loosen or remove terminal block screws. Connect neutral grounding wire and the neutral wire (white or center) of power supply cord or direct wire cable under the center screw of the terminal block.

STEP 4. Connect the other two wires to outer terminal block screws. Tighten all terminal block screws firmly.

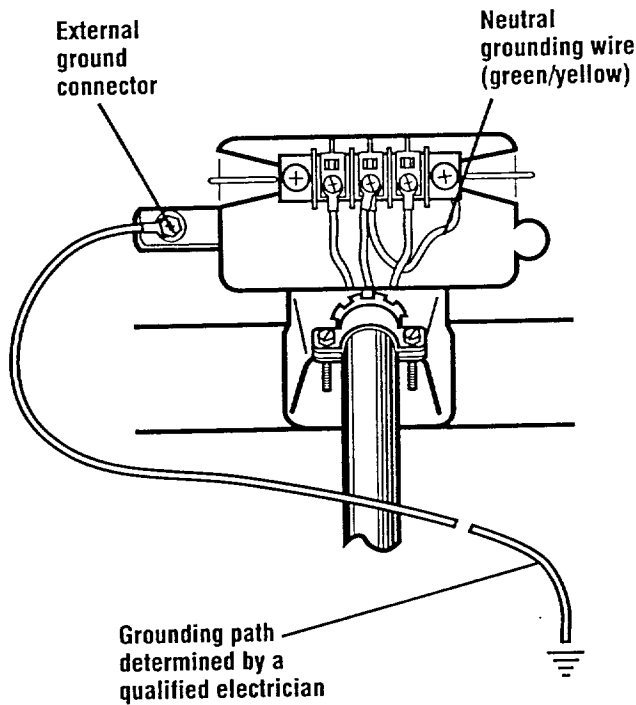
STEP 5. Tighten the strain relief screws.

STEP 6. Insert tab of terminal block cover into slot of the dryer rear panel. Secure cover with hold-down screw.

STEP 7. Connect separate copper grounding wire from external ground connector to an adequate ground. If codes permit and a separate grounding wire is used, it is recommended that a qualified electrician determine that the grounding path is adequate.

Proceed with Exhaust Installation.
See "CONNECT EXHAUST" on page 19.

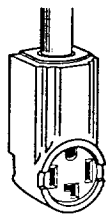
INSTALLATION



Alternate 3-Wire Connection with External-Grounding Conductor

III. MAKE FOUR-WIRE ELECTRICAL CONNECTION TO RECEPTACLE

Use a 4-wire power supply cord:



Four-wire receptacle (NEMA Type 14-30R)

WARNING



Electrical Shock Hazard

Turn power supply off before connecting cord.

Use a new 30-ampere power supply cord.

Plug into a grounded outlet.

Failure to follow these instructions can result in death, fire, or electrical shock.

Do not use an extension cord with this dryer.

Do not connect plug end of power supply cord into a live receptacle before connecting power supply cord to dryer terminal block.

GROUNDING INSTRUCTIONS

This appliance must be grounded. In the event of malfunction or breakdown, grounding will reduce the risk of electric shock by providing a path of least resistance for electric current. The power supply cord must be plugged into an appropriate outlet that is properly installed and grounded in accordance with all local codes and ordinances.

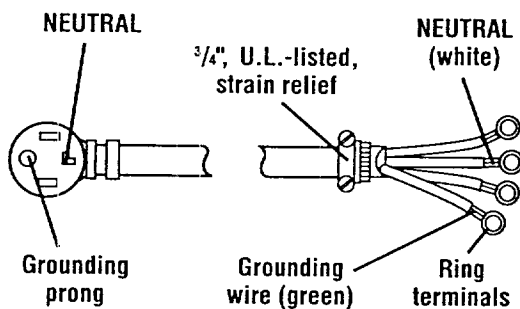
WARNING: Improper connection of the equipment-grounding conductor can result in a risk of electric shock. Check with a qualified electrician or serviceman if you are in doubt as to whether the appliance is properly grounded.

Do not modify the plug on the power supply cord. If it will not fit the outlet, have a proper outlet installed by a qualified electrician.

STEP 1. Turn power supply off.

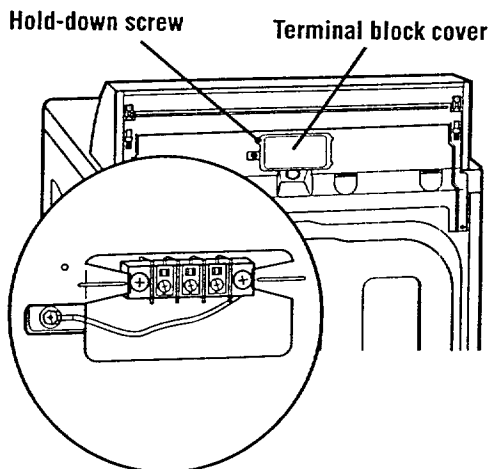
STEP 2. Remove hold-down screw and terminal block cover.

Local codes may permit the use of a U.L.-listed, 120/240-volt minimum, 30-ampere, dryer power supply cord kit (pigtail). Power supply cord should be type SRD or SRDT and be at least four feet long. The wires that connect to the dryer must end with ring terminals or spade terminals with upturned ends.



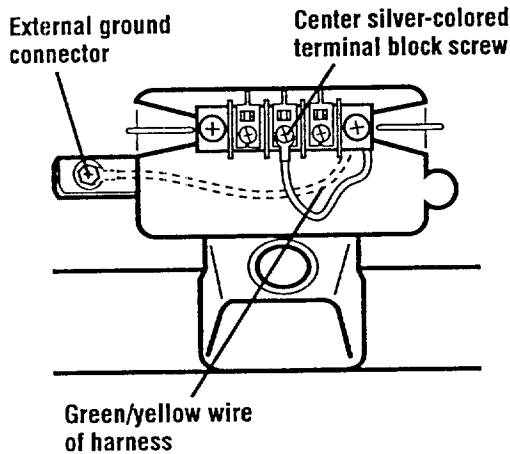
Four-wire power supply cord (Mobile home or other four-wire installations)

For mobile homes or other four-wire installations, the power supply cord must have four, No.-10 copper wires and match a four-wire receptacle of NEMA Type 14-30R. The fourth wire (grounding conductor) must be identified with a green cover or bare copper wire and the neutral conductor by a white cover.



STEP 3. Attach a 3/4-inch, U.L.-listed, strain relief to the hole below terminal block opening. Strain relief should have a tight fit with dryer cabinet and be in a horizontal position. Put the power supply cord through the strain relief.

STEP 4. Remove the center terminal block screw. Remove the neutral grounding wire (green/yellow wire) from external grounding screw.



STEP 5. Connect neutral grounding wire and the neutral wire (white) of power supply cord under the center screw of terminal block.

STEP 6. Connect the other two insulated wires to outer terminal block screws.

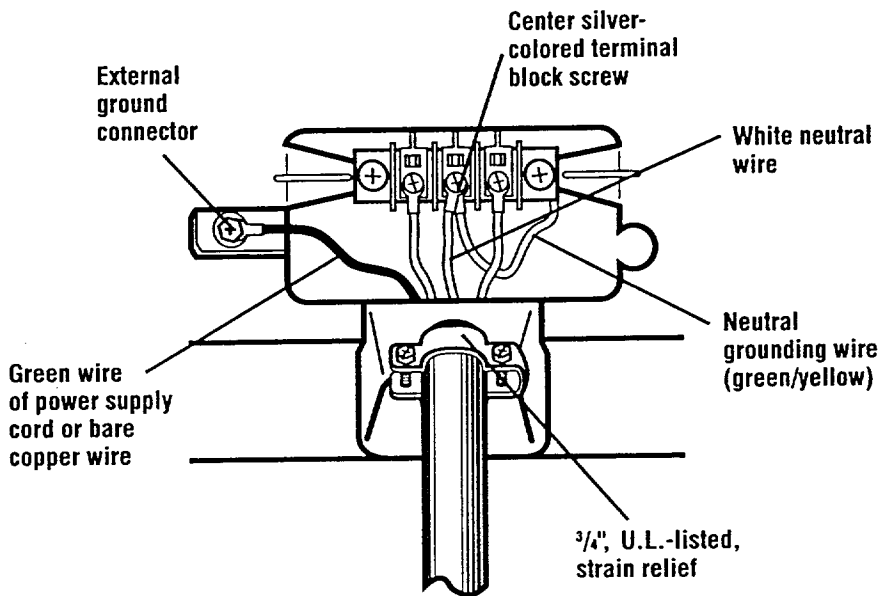
STEP 7. Connect the green, grounding wire from the power supply cord to the external grounding conductor screw. Tighten all terminal block screws firmly.

STEP 8. Tighten the strain relief screws.

STEP 9. Insert tab of terminal block cover into slot of the dryer rear panel. Secure cover with hold-down screw.

Proceed with Exhaust Installation.
See "CONNECT EXHAUST" on page 19.

INSTALLATION




4-Wire Connection with Frame-Grounding Conductor

IV. FOUR-WIRE ELECTRICAL CONNECTION (DIRECT WIRE)

Prepare cable as directed:

⚠ WARNING



Electrical Shock Hazard

Turn power supply off before connecting wires.

Use 10 gauge solid copper wire.

Electrically ground dryer.

Failure to follow these instructions can result in death, fire, or electrical shock.

The dryer can be connected directly to fused disconnect or circuit breaker box with four-wire flexible armored or non-metallic sheathed copper cable (with grounding wire). All current-carrying wires must be insulated. The grounding wire may be bare.

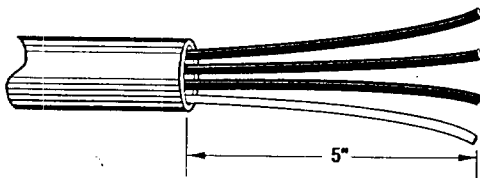
A conduit connector must be installed at junction box. Allow four feet of slack in the line so dryer can be moved if servicing is ever necessary.

GROUNDING INSTRUCTIONS

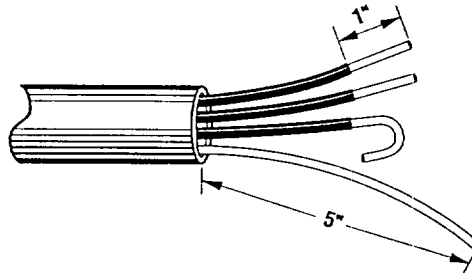
This appliance must be connected to a grounded metal, permanent wiring system; or an equipment-grounding conductor must be run with the circuit conductors and connected to the equipment-grounding terminal or lead on the appliance.

STEP 1. Turn power supply off.

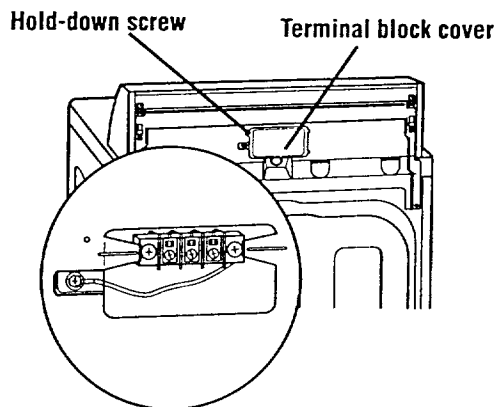
STEP 1a. Strip 5 inches of outer covering from end of cable. Leave bare grounding wire at 5 inches.



STEP 1b. Cut 1½ inches from 3 remaining insulated wires. Strip insulation back 1 inch. Shape the end of each wire into a “U” shaped hook.

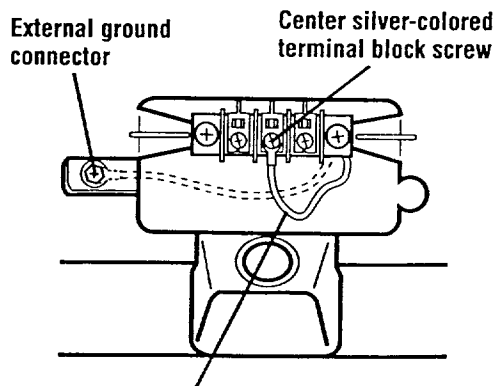


STEP 2. Remove hold-down screw and terminal block cover.



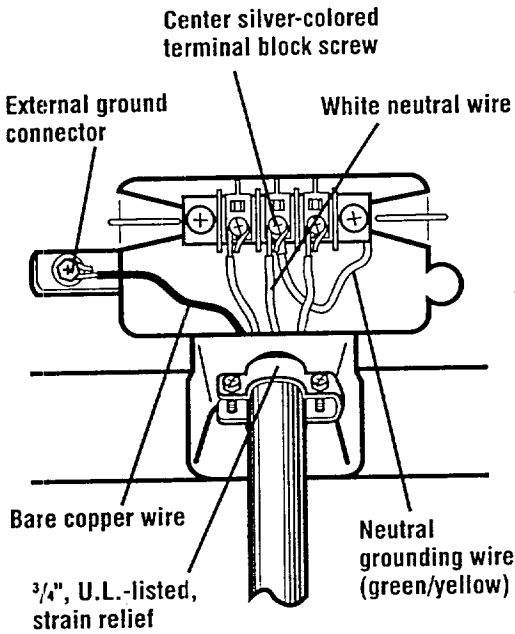
STEP 3. Attach a ¾-inch, U.L.-listed, strain relief to the hole below terminal block opening. Strain relief should have a tight fit with dryer cabinet and be in a horizontal position. Put the direct wire cable through the strain relief.

STEP 4. Remove the center terminal block screw. Remove the neutral grounding wire (green/yellow wire) from external grounding screw.



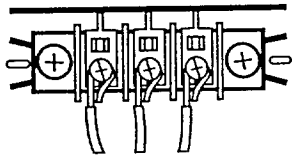
Green/yellow wire of harness

STEP 5. Connect neutral grounding wire and the neutral wire (white or center) of direct wire cable under the center screw of terminal block.



4-Wire Connection with Direct Wire and Frame-Grounding Conductor

STEP 6. Place the hook-shaped end of the wire over the terminal block screw. The open side of the hook should face to the right. Squeeze hook end of wire together to form a loop.



STEP 7. Connect the other two wires to outer terminal block screws. Use the same method described in STEP 6.

STEP 8. Connect the direct wire cable (bare) grounding wire to the external-grounding conductor screw. Tighten all terminal block screws firmly.

STEP 9. Tighten the strain relief screws.

STEP 10. Insert tab of terminal block cover into slot of the dryer rear panel. Secure cover with hold-down screw.

Proceed with Exhaust Installation. See "CONNECT EXHAUST" on this page.

D. CONNECT EXHAUST

for your Benefit

A properly exhausted dryer will give you the shortest drying time, lower your utility bill, and extend the life of the dryer.

! WARNING

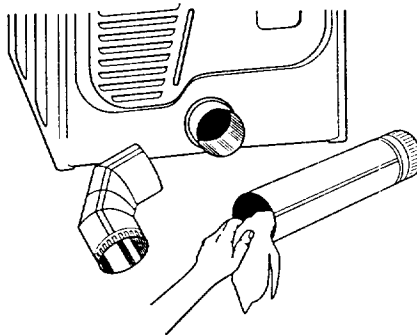


Fire Hazard

- Use a heavy metal vent.
- Do not use a plastic vent.
- Do not use a metal foil vent.
- Failure to follow these instructions can result in death or fire.

INSTALLATION

- Replace plastic exhaust vent with heavy metal or flexible metal vent.
- Do not use non-metal flexible vent, metal vent that is smaller than four inches in diameter, or exhaust hoods with magnetic latches.
- Do not exhaust dryer into a chimney, furnace cold air duct, attic or crawl space, or any other duct used for venting.
- Do not install flexible metal vent in enclosed walls, ceilings, or floors.
- If using an existing exhaust system, disconnect vent from the dryer and clean one section at a time until you reach the exhaust hood. To clean out lint, you can use the hose attachment on your vacuum or, use a pole or wire with a feather duster or rag attached.

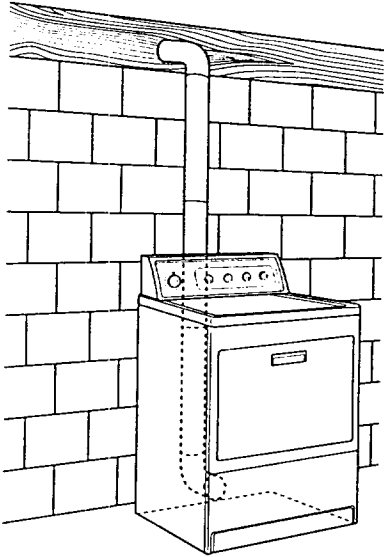


- Make sure exhaust hood is not plugged with lint. Follow the instructions in this section to reinstall your vent system.

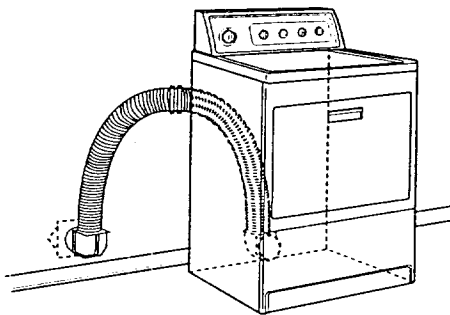
ROUTE THE VENT

Typical installations exhaust from the rear of the dryer.

Avoid pushing the dryer tightly against a wall. This can crush or kink the vent. Use the straightest path you can, where possible. Avoid 90° turns.



Rear exhaust installations for standard offset connections – (see pgs. 21-22)

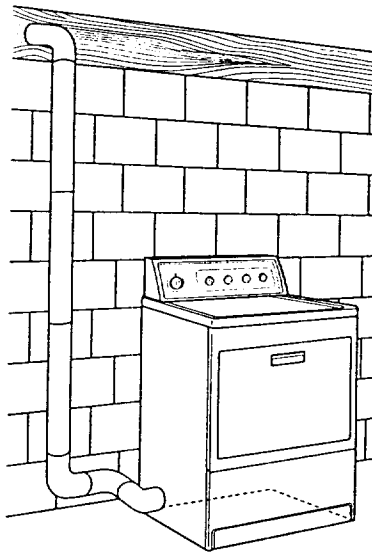


Rear exhaust installations for offset connections with close clearances – (see p. 23)

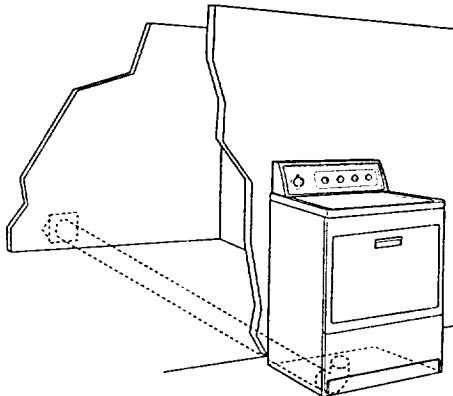
This dryer may be converted to exhaust out the right or left side or through the bottom. To convert the dryer, the following kits must be used.

- Exhaust Kit No. 279818 (white)
- Exhaust Kit No. 279819 (almond)
- Exhaust Kit No. 279820 (ebony)

Follow the instructions in the kit to avoid operational and personal hazards. These kits are available at your local Sears store or Sears Service Center.



Typical installations for left or right side exhausting

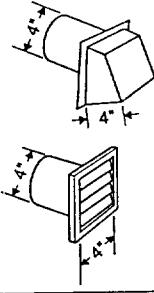
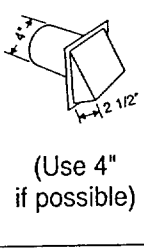


Typical installations for bottom exhausting

DETERMINE VENT LENGTH

Maximum Exhaust Lengths:

- *Rear Exhaust.* The maximum length of the rear exhaust system depends on the type of vent, the number of elbows, and the type of exhaust hood. Refer to the chart below.
- *Side or Bottom Exhaust.* Side or bottom exhaust adds a 90° turn inside the dryer. To determine maximum exhaust length, add one 90° turn to the chart.

EXHAUST HOOD TYPE		
		
		(Use 4" if possible)
Number of 90° Turns	Maximum length of 4-inch diameter heavy metal vent.	
0	64 ft.	58 ft.
1	54 ft.	48 ft.
2	44 ft.	38 ft.
3	35 ft.	29 ft.
4	27 ft.	21 ft.
Number of 90° Turns	Maximum length of 4-inch diameter flexible metal vent.	
0	36 ft.	28 ft.
1	31 ft.	23 ft.
2	27 ft.	19 ft.
3	25 ft.	17 ft.
4	23 ft.	15 ft.

If a combination of heavy metal vent and flexible metal vent is used, use instructions for flexible metal vent.

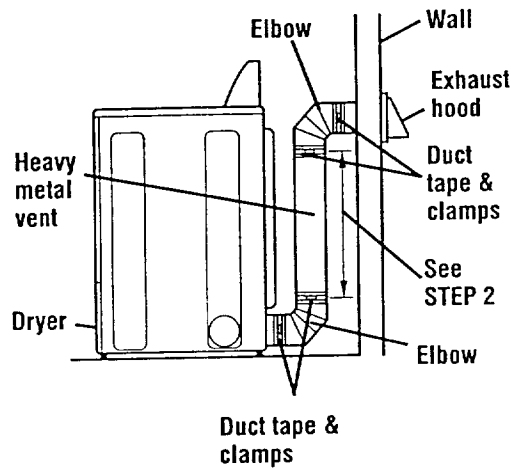
STANDARD OFFSET CONNECTIONS

Using 4-inch heavy metal vent:

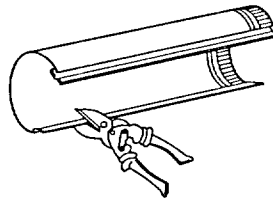
NOTE: Do not secure exhaust vent joints with screws. Screws can catch lint and slow the drying process. Instead, use clamps to secure exhaust vent joints.

STEP 1. Install a 4-inch metal elbow on the hood and on the dryer exhaust outlet.

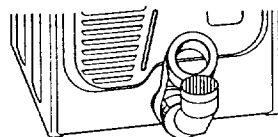
STEP 2. Measure the length of 4-inch metal vent needed to connect the two elbows.



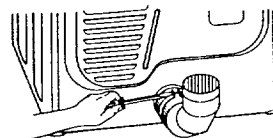
The vent usually comes in 2-foot lengths. Use tin snips to cut the vent 3 inches longer than your measurement in order to make a connection.



STEP 3. Place a clamp on each end of vent elbow and connect elbow to dryer outlet. Tape the joint with duct tape. Tighten clamp.



Tape



Clamp

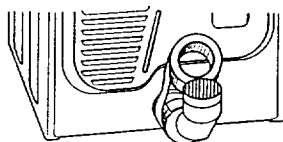
INSTALLATION

STEP 4. Connect heavy metal vent to elbow. Tape the joint with duct tape. Tighten clamp.

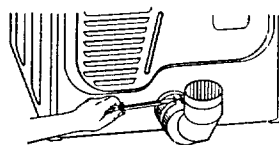
STEP 5. Install one end of elbow on heavy metal vent, the other end to the exhaust hood. Tape joints and tighten clamps.

Finish Installation. See “REVIEW INSTALLATION” on page 24.

STEP 5. Place a clamp on each end of vent elbow. Install one end of elbow on flexible metal vent, the other end to the exhaust hood. Tape joints and tighten clamps.



Tape



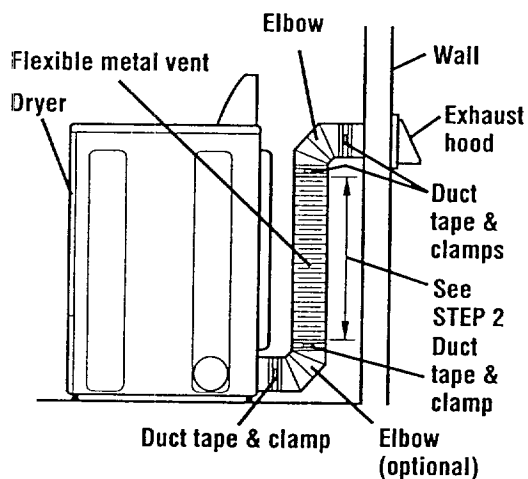
Clamp

Using 4-inch flexible metal vent:

NOTE: Do not secure exhaust vent joints with screws. Screws can catch lint and slow the drying process. Instead, use clamps to secure exhaust vent joints.

STEP 1. Install a 4-inch metal elbow on the exhaust hood and, if necessary, on the dryer exhaust outlet.

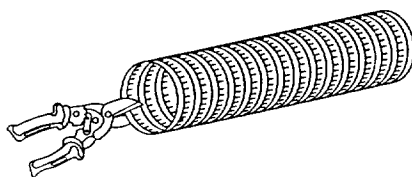
STEP 2. Measure the length of 4-inch flexible metal vent needed from the dryer to the hood.



STEP 6. Stretch the vent only as needed by pulling out from the center in each direction. Do not stretch vent sections over 6 feet. If distance is more than 6 feet, use 2 or more sections of heavy metal vent with flexible metal vent attached at ends.

STEP 7. Connect the vent directly to the dryer outlet or to a separate elbow. Tape the joints with duct tape. Secure with clamps.

STEP 8. To fit the flexible metal vent over the duct on the hood it may be necessary to make two 1/2-inch cuts in the end of the flexible vent to allow it to expand.



STEP 3. Add 10 inches to the measurement for each bend in the vent.

STEP 4. Add 3 more inches to the measurement for connection over the dryer outlet and hood.

Finish Installation. See “REVIEW INSTALLATION” on page 24.

OFFSET CONNECTIONS WITH CLOSE CLEARANCES

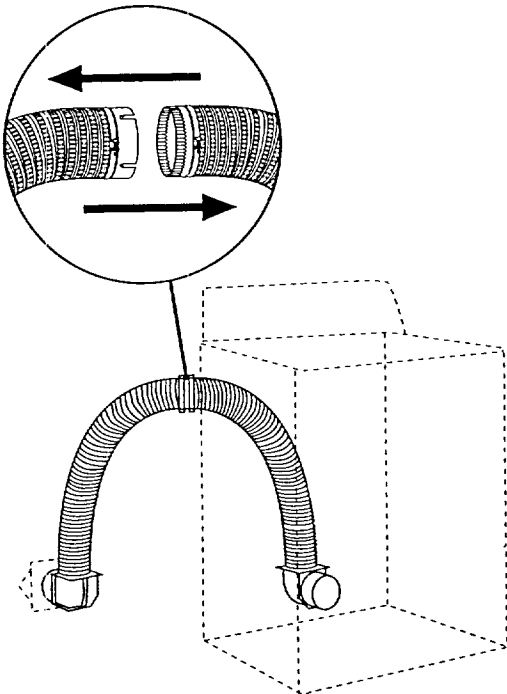
When your exhaust vent is in a close clearance behind the dryer, or if you are installing your dryer in a recessed area or closet, you will find it helpful to install the exhaust vent over-the-top* of the dryer. A kit is available from your local Sears store or Sears Service Center.

*Parts may be covered by one or more U.S. Patents.

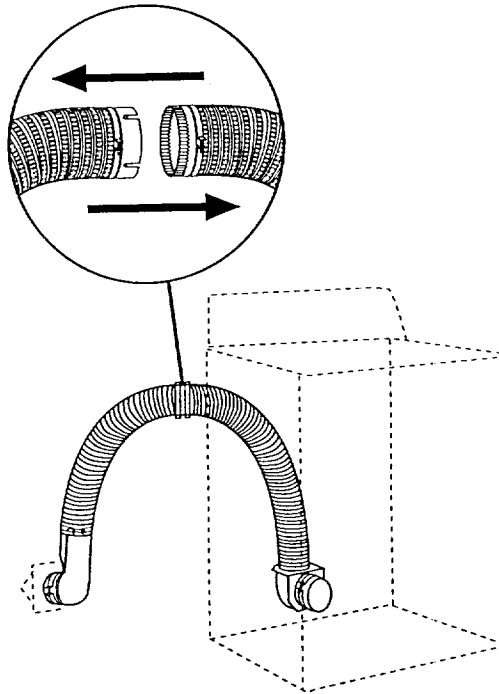
NOTE: Vent systems come in many varieties. Select the type that best fits your installation. Three of the most common types of installations are illustrated here.

INSTALLATION

LOOP SYSTEM

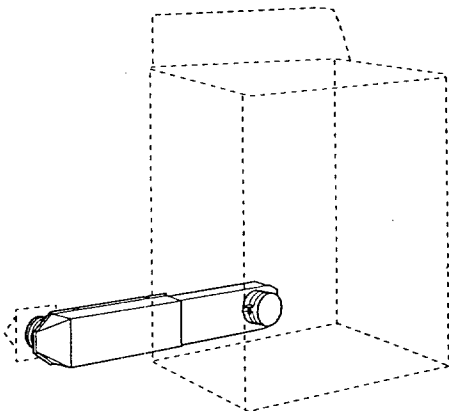


Vent system installed over-the-top with standard elbows



Vent system installed over-the-top with one offset and one standard elbow

PERISCOPE SYSTEM



Vent system with one periscope (2" clearance)

REVIEW INSTALLATION

for your **Benefit**

Take a few minutes to complete this checklist. It will help assure you that you have a proper installation and increase your satisfaction with your Kenmore dryer.

- Check that all parts you removed from the parts packages are now installed.
 - Ensure that dryer is positioned in its final location. Make sure vent is not crushed or kinked.
 - Ensure that dryer is level by placing a level on top of the dryer, first side-to-side; then front-to-back. If dryer is not level, adjust the legs up or down.
 - Check to make sure you have all the tools you started with.
-

FINAL STEPS

- Plug the power supply cord into the grounded outlet or connect direct wire to power supply.
- Turn power supply on.
- Wipe the interior of the drum thoroughly with a damp cloth to remove any dust.
- Remove the blue protective film on the console and any tape remaining on dryer.
- Read the rest of this manual to fully understand your new dryer. Start the dryer and allow it to complete a full heat cycle (not the air cycle). You may notice a burning odor. This smell is common when the heating element is first used. The smell will go away. After five minutes, open dryer door. You should feel heat inside the dryer. If you do not feel heat, see Troubleshooting information on pages 38-39.

OPERATING YOUR DRYER

STARTING YOUR DRYER

⚠ WARNING



Explosion Hazard

Keep flammable materials and vapors, such as gasoline, away from dryer.

Do not dry anything that has ever had anything flammable on it (even after washing).

Failure to follow these instructions can result in death, explosion, or fire.

⚠ WARNING



Fire Hazard

No washer can completely remove oil.

Do not dry anything that has ever had any type of oil on it (including cooking oils).

Items containing foam, rubber, or plastic must be dried on a clothesline or by using an Air Cycle.

Failure to follow these instructions can result in death or fire.

OPERATION

To get the best drying results, you must operate your dryer properly. This section gives you this important information.

NOTE: The drawings in this section show the basic features of all models covered by this manual. Refer to the supplied "Feature Sheet" for your dryer's particular features.

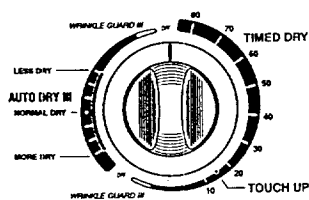
STEP 1. Check lint screen. Clean if needed.

STEP 2. Put laundry into dryer and shut door.

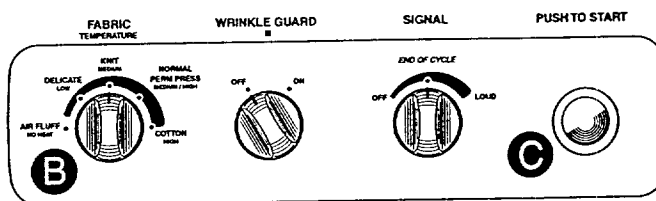
STEP 3. Set Cycle Selector Control (Timer) **A**; (see pages 26 and 28).

STEP 4. Set FABRIC/Temperature Control **B**; (see page 27). Check clothes label for manufacturer's recommendations.

STEP 5. Press PUSH TO START Button **C**. Be sure door is closed.



A



B

C

Heavy Duty • Super Capacity Plus • Quiet Pak Plus

90 Series

STOPPING/RESTARTING YOUR DRYER

- To stop the dryer at any time, open dryer door.
- To restart, press PUSH TO START Button **C**. Be sure door is closed.
- If you wish to end your drying cycle, turn Cycle Selector Control (Timer) to OFF.

CYCLE DESCRIPTION

for your **Benefit**

The **AUTO DRY** Cycle saves you time by providing the best drying results in the shortest time. This can help you save money on utility bills and reduce the risk of fabric damage.

AUTO DRY CYCLE

Use this cycle for most loads. Drying time varies according to type of fabric, size of load, and dryness setting.

- Set the Cycle Selector Control (Timer) to **NORMAL DRY(*)** which is good for most fabrics.
- At the end of the cycle, feel the dried clothes. If they are damp, select **MORE DRY** the next time you do a similar load. If they are overdried, select **LESS DRY** the next time you do a similar load.
- Dryness is determined by an electronic sensor that "feels" the amount of moisture in clothes as they pass over it. When the dryness selected is reached, the dryer goes into a 10-minute (approx.) **COOL DOWN** period.
- The End-of-Cycle **SIGNAL** sounds (if selected) once the cycle is completed.
- If you do not unload the dryer, it goes into **WRINKLE GUARD** automatically. For an explanation of **WRINKLE GUARD**, see page 30.

NOTE: On some models, **WRINKLE GUARD** is selected by an option switch.

TIMED DRY CYCLE

Use this cycle to get up to 70 or 80 minutes (depending on model) of heated drying time.

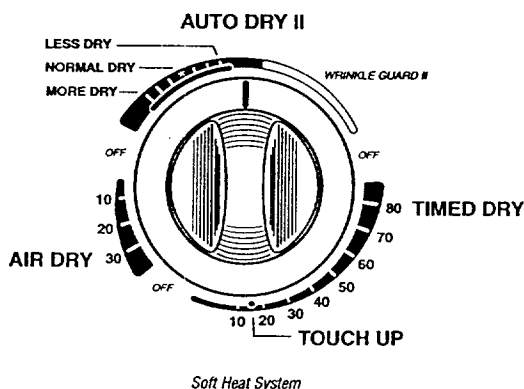
- The heating cycle is followed by a 10-minute (approx.) **COOL DOWN** period.
- The End-of-Cycle **SIGNAL** sounds (if selected) once the cycle is completed.

NOTE: Dryers with a **WRINKLE GUARD** Option control will go into **WRINKLE GUARD** immediately following this cycle if it is selected.

TOUCH UP CYCLE

Use this cycle to smooth synthetic and permanent press clothes that are clean but wrinkled from being crowded in a closet or suitcase.

- This setting provides about 15 minutes of heated tumbling followed by a 10-minute (approx.) **COOL DOWN** period.
- Remove clothes immediately when tumbling stops.

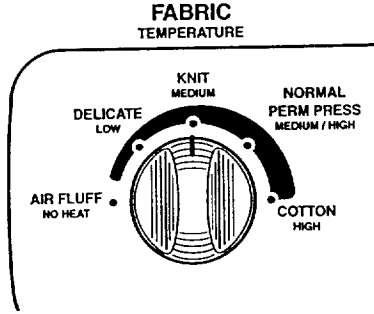


FABRIC/TEMPERATURE CONTROL

for your Benefit

Proper use of this control helps ensure that fabrics are dried at the right temperature for maximum life.

Use this control to select the drying temperature that matches the fabrics in your load.



- Select LOW for delicate fabrics. Select HIGH for durable fabrics such as sturdy work clothes or bath towels.
- The FABRIC/Temperature Control will not work when the Cycle Selector Control (Timer) is in the AIR DRY Cycle.

The following chart lists suggested dryer settings and drying times for various loads. This is only a guide. Settings may require adjustment depending on the requirements of your load.

OPERATION

Type of Load	AUTO DRY Setting	Drying Temp	TIMED DRY Setting
COTTONS AND LINENS			
Extra Heavy – Bedspreads, mattress pads, quilts	MORE DRY	HIGH	70-80 min.
Heavyweight – Towels, jeans, corduroys, work clothes	MORE DRY	HIGH	50-60 min.
Mediumweight – Sheets, cotton underwear, diapers	NORMAL DRY	MEDIUM/HIGH or MEDIUM*	40-50 min.
Lightweight – Batistes, organdies, lingerie	NORMAL DRY	LOW	30-40 min.
PERMANENT PRESS, SYNTHETICS AND BLENDS			
Heavyweight – Work clothes, jackets, raincoats	NORMAL DRY	HIGH	40-50 min.
Mediumweight – Shirts, play clothes, sheets, slacks	NORMAL DRY	MEDIUM/HIGH or MEDIUM*	30-40 min.
Lightweight – Lingerie, blouses, dresses	LESS DRY	MEDIUM or LOW*	20-30 min.
KNITS			
Heavyweight – Cottons, rayons, blends, T-shirts, slacks, shirts	NORMAL DRY	HIGH	40-50 min.
Mediumweight – Synthetics (polyester, acrylic, etc.), dress slacks, skirts, sweaters	NORMAL DRY	MEDIUM/HIGH or MEDIUM*	30-40 min.
Lightweight – Synthetics (polyester, acrylic, etc.) and blends, lingerie, blouses, dresses	LESS DRY	LOW	20-30 min.

*Use the lowest temperature setting available on your dryer.



USING AIR DRY/AIR FLUFF

for your Benefit

Using these cycles gives you all the benefits of hang drying with a shorter drying time.

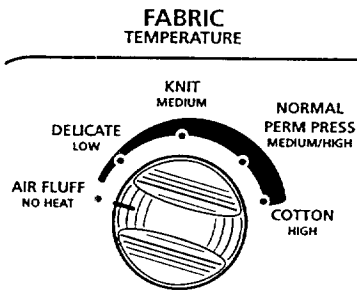
Use the AIR DRY Cycle to get up to 30 minutes of drying time in room temperature air. Use this setting for items that will not tolerate heat such as plastics and foam rubber. Also use for airing and fluffing items such as pillows.

The AIR FLUFF Setting operates exactly like the AIR DRY Cycle. This setting is available on models that do not have an AIR DRY Cycle in the Cycle Selector Control (Timer).

To use AIR FLUFF:

- Set Cycle Selector Control for the number of minutes you want in the TIMED DRY Cycle.
- Set FABRIC/Temperature Control to AIR FLUFF.
- Set other options, press the PUSH TO START Button.

Refer to the following chart for examples of items that require drying without heat. Use the AIR DRY Cycle or AIR FLUFF Setting (depending on model), or place the items on a line or rack to air dry.



Type of Load	AIR DRY Cycle/ AIR FLUFF Setting
DELICATE FABRICS Sheer curtains (2 or 3 panels), gauze, lace, etc. (Use AIR DRY/AIR FLUFF if low heat is not available.)	20-30 min.
RUBBER, PLASTIC, HEAT-SENSITIVE FABRICS Foam rubber – Pillows, padded bras, stuffed toys <ul style="list-style-type: none"> • Make sure coverings are securely stitched. • Shake and fluff pillows by hand several times during the cycle. • Make sure pillows are completely dry. Foam rubber pillows take a long time to dry.* Plastic – Shower curtains, tablecloths Rubber-backed rugs Olefin, Polypropylene, Sheer nylon	20-30 min. 20-30 min. 40-50 min. 10-20 min.

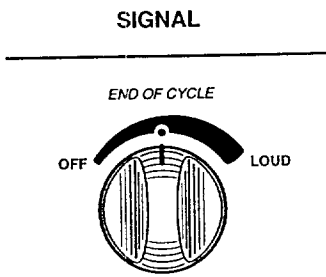
*Reset time, as needed, to allow these items to dry completely.

END-OF-CYCLE SIGNAL CONTROL

for your **Benefit**

Your dryer sounds a signal when a drying cycle is finished. The signal is helpful when you are drying permanent press, synthetics, and other items. These items should be removed from the dryer as soon as it stops in order to prevent wrinkles.

- The volume of the signal can be adjusted.

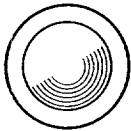


PUSH TO START BUTTON

Use this control to start the dryer. Be sure the dryer door is closed.

Opening the door stops the dryer. It will not start again until you close the door and press the PUSH TO START Button. Be sure the Cycle Selector Control (Timer) is still on a drying cycle or air setting.

PUSH TO START



SOFT-HEAT® SYSTEM

for your **Benefit**

SOFT-HEAT® System guards against overdrying. This helps your fabrics retain the natural moisture they need, prevents static, and reduces pilling – the formation of small lint-like balls on the surface of garments. Pilling is the natural result of wearing and washing of garments.

Kenmore dryers help prevent overdrying so you get outstanding fabric care. In the AUTO DRY and TIMED DRY Cycles, clothes are dried at the temperature you selected until the last few minutes of the cycle. The dryer then switches to low heat.

COOL DOWN

Approximately ten minutes before the end of the AUTO DRY and TIMED DRY Cycles, clothes are tumbled without heat to help reduce wrinkles and make clothes more comfortable to handle.

OPERATION

USING WRINKLE GUARD

for your Benefit

WRINKLE GUARD helps keep your permanent press items wrinkle free when you don't unload the dryer promptly at the end of the AUTO DRY Cycle.

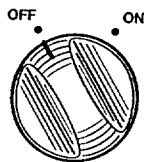
If you do not open the door at the end of the AUTO DRY Cycle, WRINKLE GUARD will tumble the clothes without heat for about 15 seconds periodically throughout the cycle.

- On dryers with WRINKLE GUARD II, periodic tumbling will continue for about 40 minutes unless you open the dryer door.
- On dryers with WRINKLE GUARD III, periodic tumbling will continue for about 2½ hours unless you open the dryer door.
- WRINKLE GUARD III has a selectable ON/OFF option. When WRINKLE GUARD III is set at OFF, the dryer stops after COOL DOWN and may be unloaded.

The End-of-Cycle SIGNAL will sound after each period of tumbling, unless it is off.

WRINKLE GUARD

III



LINT ALERT

for your Benefit

A properly cleaned lint screen will allow your dryer to operate at peak efficiency. This can reduce your utility bills and extend the life of your dryer.

Clean the lint screen before each load. If you do not, your dryer may not operate properly. On some models, a continuous whistle (lint alert) will sound if too much lint is allowed to accumulate on the lint screen. When this happens, remove the lint screen, clean, and replace. When the dryer is restarted, the sound will stop.

HEATED DRY RACK

The dry rack was shipped on top of your dryer. Remove and discard shipping blocks before using.

for your Benefit

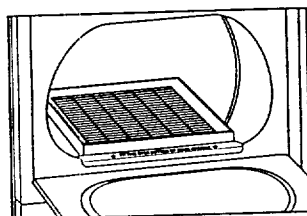
Use the heated drying rack to machine dry items you would not necessarily want to tumble dry. The dry rack gives you concentrated heat for efficient and uniform drying. It also reduces noise when drying items that have buckles.

To Use the Heated Dry Rack:

Do not remove lint screen.

STEP 1. Open dryer door.

STEP 2. Slide Dry Rack over the bottom of the dryer door opening. Push down to secure it on the frame.



STEP 3. Place wet items on top of the dry rack. Allow space around items for air to circulate. The rack does not move, but the drum will rotate. Make sure items do not hang over the edges or between rack grill.

STEP 4. Close dryer door.

STEP 5. Use the TIMED DRY or AIR DRY Cycle. Refer to the chart below.

STEP 6. Set the FABRIC/Temperature Control if available. Refer to the chart below.

STEP 7. Start the dryer.

To remove the dry rack, lift it straight up and out of the dryer.

Suggested Items for Rack Drying	FABRIC/ Temperature Setting	Cycle Selector (Timer) Setting	Minutes*
1. Washable wool items (block to shape and lay flat on rack)	DELICATE	TIMED DRY	20
2. Stuffed toys (cotton or polyester fiber filling)	COTTON	TIMED DRY	20
3. Stuffed toys (foam rubber filling)	AIR FLUFF	– or – AIR DRY	50
4. Galoshes (rubber)	AIR FLUFF	– or – AIR DRY	20
5. Foam rubber pillows	AIR FLUFF	– or – AIR DRY	50

*Reset time as needed to complete drying.

LAUNDRY TIPS

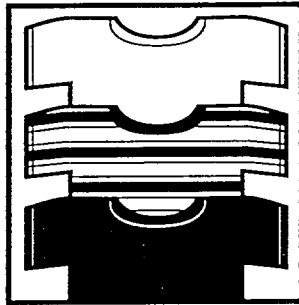
for your **Benefit**

Follow these recommendations to help save on utility bills and prolong the life of your garments.

PREPARING CLOTHES FOR DRYING

- Refer to your Washer Owner's Manual for proper washing techniques and additional laundry tips.
- See page 4 of this book for Important Safety Instructions.

SORTING CLOTHES



- Separate dark colors from light colors; colorfast from non-colorfast. Items properly sorted by color for washing are usually properly sorted for drying.
- Separate heavy fabrics (denim, towels) from light fabrics (synthetics, permanent press).
- Separate lint givers (towels, chenille) from lint takers (corduroy, synthetics, permanent press). When possible, turn lint takers inside out.

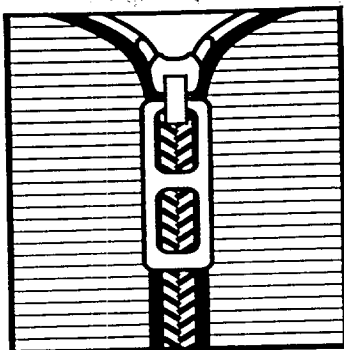
CHOOSING LOAD SIZES

- Mix large items with smaller items. Load the dryer by the amount of space items take up, not by their weight. Do not overload the dryer. Overcrowding causes uneven drying and wrinkling, and can cause items to wear out faster (because of pilling).
- You may need to rearrange large items (sheets, blankets, tablecloths) during a cycle to reduce balling or rolling up.
- For better tumbling action, when drying only a few small items, add one or two lint-free towels. This also prevents small lightweight items from blocking airflow.

SUPER CAPACITY PLUS DRYERS

Heavy Work Clothes	Towels	Mixed Load
4 jeans	10 bath towels	3 sheets (1 king, 2 twin)
4 workpants	10 hand towels	4 pillowcases
4 workshirts	14 wash cloths	3 shirts
2 sweatshirts		3 blouses
2 sweatpants		9 T-shirts
		9 shorts
		10 handkerchiefs

DRYING TIPS



- Close zippers, snaps, and hooks to avoid snagging other items. Remove heat-sensitive trim that can be damaged by drying. Tie strings and sashes so they will not tangle.
- Check garments for spots and stains left after washing. Do not tumble these items. Heat may permanently set stains.
- Check pockets before drying. Sharp or metal objects can damage your dryer. Do not lay these objects on your dryer, they can damage the finish. Turn pockets of heavy garments inside out for even drying.
- Place small items such as baby socks or hankies in laundry bag for easier removal.
- Articles to be ironed should be removed while still damp.

USING DRYER FABRIC SOFTENERS

Dryer fabric softeners are recommended for reducing static cling. Always follow package instructions carefully.

- Put one fabric softener sheet on top of the load before starting the dryer. Do not add a fabric softener sheet after the drying cycle has started. Instant heat can cause the fabric softener to spot fabrics.
- Remove fabric softener stains by wetting the stains and rubbing them with liquid detergent or bar soap and rewash.
- Some fabric softeners can clog the lint screen and slow drying. Use fabric softeners labeled as dryer safe.

SAVING ENERGY

- Use the AUTO DRY Cycle to dry most loads.
- Dry full loads only. Do not overdry.
- Avoid overloading dryer, adding wet items to a partly dried load, or opening the door unnecessarily.
- Shorten drying times by exhausting dryer properly and cleaning exhaust vent and outside exhaust hood as needed.
- Keep the lint screen clean.
- Use dryer where room air temperature is above 45°F.
- Sort loads by fabric weight and type.

CARING FOR YOUR DRYER

This section explains how to care for your dryer properly and safely.

for your **Benefit**

Proper care of your dryer can extend its life and help you avoid costly service calls.

EXTERIOR

Use a soft, damp cloth to clean the cabinet and console. Avoid using harsh abrasives. Do not put sharp metal objects on or in your dryer. They can damage the finish.

INTERIOR

⚠ WARNING



Explosion Hazard
Use nonflammable cleaners.
Failure to do so can result in death, explosion, or fire.

CLEANING YOUR DRYER

Garments that contain unstable dyes, such as denim blue jeans or brightly colored cotton items, may discolor the drum interior.

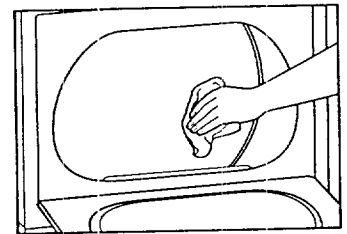
To clean dryer drum:

STEP 1. Make a paste with detergent and very warm water and apply to a soft cloth. Continue with STEPS 2-4.

or

STEP 1a. Spray non-flammable liquid household cleaner on the stained area. Continue with STEPS 2-4.

STEP 2. Scrub area until all excess dye is removed.



STEP 3. Wipe thoroughly with a damp cloth.

STEP 4. Tumble a load of clean towels for 20 minutes to dry.

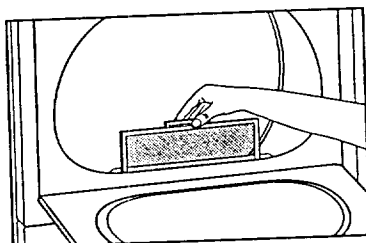
CLEANING THE LINT SCREEN

Remove Lint Before Every Load

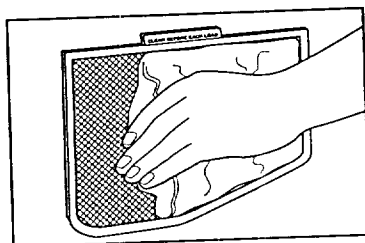
The lint screen is located in the door opening. Remove lint before every load. A screen blocked by lint can increase drying time.

To clean:

STEP 1. Pull the lint screen straight up.



STEP 2. Roll lint off the screen with your fingers. Do not rinse or wash screen to remove lint. Wet lint is hard to remove.



STEP 3. Push the lint screen firmly back into place.

IMPORTANT:

- Do not run the dryer with the lint screen loose, damaged, blocked, or missing. Doing so can cause overheating and damage to both the dryer and fabrics.
- Some towels made of synthetic fibers and natural fibers (polyester and cotton blends) may shed more lint than other towels, causing your dryer's lint screen to fill up faster. Be sure to remove lint from the lint screen before and after drying new towels.

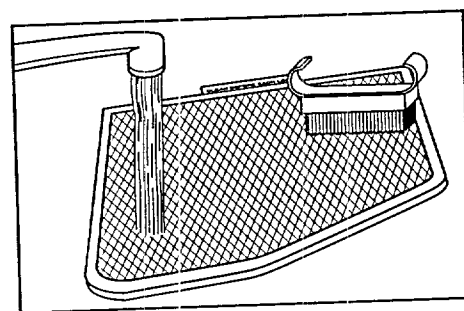
Wash Lint Screen As Needed

Laundry detergents and fabric softeners can cause a residue buildup on the lint screen. Wash the lint screen with a nylon brush if it becomes clogged due to a residue buildup.

To wash:

STEP 1. Wet both sides of lint screen with hot water.

STEP 2. Wet a nylon brush with hot water and liquid detergent; scrub lint screen with the brush to remove residue buildup.



STEP 3. Rinse screen with hot water.

STEP 4. Thoroughly dry lint screen with a clean towel; replace in dryer.

CHECKING FOR AIR FLOW OBSTRUCTION

From time to time, you may find it helpful to check your dryer and exhaust system for proper air flow. Poor air flow can result in longer drying times.

To check for air flow obstruction:

STEP 1. Check to ensure nothing is blocking ventilation slots on dryer rear panel.

STEP 2. Inspect exhaust hood. It should not be blocked or obstructed.

REMOVING ACCUMULATED LINT

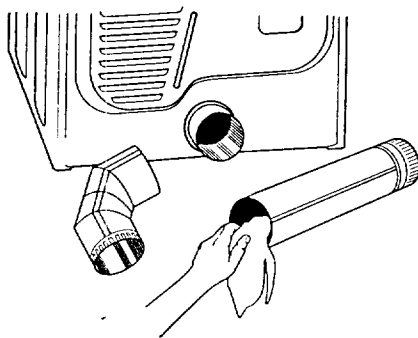
Lint can gather inside the exhaust vent or dryer and be a fuel for fire. Lint should be removed every 2 to 3 years, or more often, depending on dryer usage. Cleaning should be done by a qualified service person.

To remove accumulated lint from exhaust vent:

STEP 1. Disconnect exhaust vent from the dryer.

STEP 2. Clean one section of vent at a time until you reach the exhaust hood. To clean out lint, you can use the hose attachment on your vacuum or, use a pole or wire with a feather duster or rag attached.

STEP 3. Reconnect vent as described in the "INSTALLATION INSTRUCTIONS" of this Owner's Manual.



To remove accumulated lint from inside the dryer:

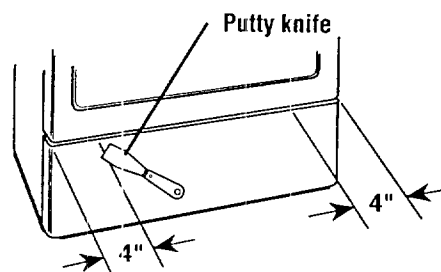
⚠ WARNING



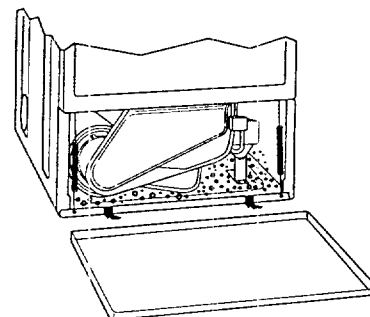
Electrical Shock Hazard
Disconnect power before cleaning.
Replace all panels before operating.
Failure to follow these instructions can result in death or electrical shock.

STEP 1. Unplug the power supply cord or turn off the electrical power supply.

STEP 2. Remove lower front panel by releasing 2 locking clips with a putty knife. The clips are located 4 inches in from each side of the top of the lower front panel.



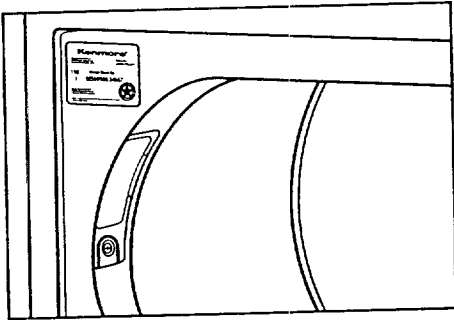
STEP 3. Remove lint from the dryer base with a soft brush or vacuum cleaner. Avoid damaging wires or electric thermostats.



STEP 4. Replace lower front panel; reconnect and level dryer again, if necessary.

CHANGING THE DRUM LIGHT

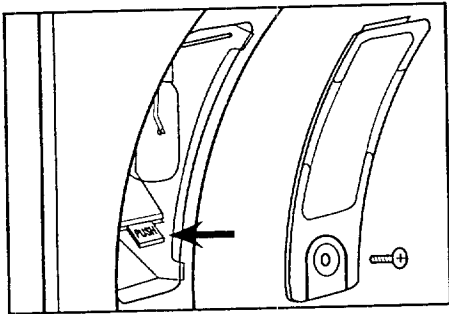
The dryer light automatically turns on inside the dryer drum when you open the door.



To replace bulb:

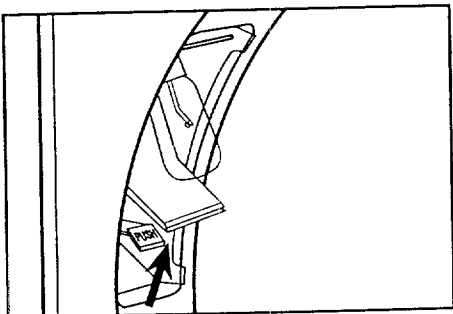
STEP 1. Unplug power supply cord or turn off electrical power supply.

STEP 2. Open the dryer door. Remove the screw that holds the lens in place.



STEP 3. Remove the lens by pulling it down and away from drum.

STEP 4. Push tab to allow bulb to swing out.



STEP 5. Check that the light bulb is screwed in tightly. The vibration of the dryer may cause the bulb to come loose. If this is not the problem, remove the light bulb by turning it counterclockwise.

IMPORTANT: Replace the bulb with a 25-watt, 120V A.C. bulb only.

STEP 6. Install light bulb by turning it clockwise.

STEP 7. Push bottom of light and socket assembly in until tab locks.

STEP 8. Place the top of the lens onto the top of the holder. Rotate the bottom of the lens down until it is in place. Replace screw. **NOTE:** It is very important that the lens is replaced properly.

STEP 9. Plug in power supply cord or turn on electric supply.

MOVING CARE

- Unplug power supply cord or turn off electrical power supply.
- Make sure leveling legs are secure in dryer base.
- Use masking tape to secure dryer door.

VACATION CARE

- Unplug power supply cord or turn off electrical power supply.
- Wash lint screen.

TROUBLESHOOTING

for your **Benefit**

Most laundering problems are easily solved if you understand the cause. Using the charts below will save you time and money by helping you avoid unnecessary service calls.

Problem	Possible Cause	Solution
Not Drying Satisfactorily	Lint screen is clogged with lint.	Clean lint screen.
	Restricted air movement. Exhaust vent or outside exhaust hood is clogged with lint.	Run dryer for 5-10 minutes. Hold hand under outside exhaust hood to check air movement. If you do not feel air moving, clean exhaust system of lint or replace exhaust vent with heavy metal or flexible metal vent (see "INSTALLATION," Section D).
	Exhaust vent is crushed or kinked.	Replace with heavy metal or flexible metal vent (see "INSTALLATION," Section D).
	One fuse is blown or circuit breaker is tripped. The dryer will appear to operate, but you will not get any heat.	Replace fuse or reset breaker.
	Timer or the temperature control is set on AIR DRY or AIR FLUFF.	Select the right cycle for the types of garments being dried (see "OPERATION").
	Load not contacting the sensor strips and automatic cycle ending early.	Level dryer (see "INSTALLATION," Section B).
	Fabric softener sheets blocking outlet grill.	Use only one softener sheet per load and only use it once.
	Dryer located in room with temperature below 45°F.	Move dryer where it can operate in ambient air temperatures above 45°F.
	Large amount of moisture in the load.	Expect longer dry times with items that hold more moisture (cottons).
	Cold rinse water used.	Expect longer dry times, but you are saving energy and reducing wrinkles.
Load too large and bulky to dry quickly.	Separate load to tumble freely.	
Dryer Will Not Run	Power cord not firmly plugged into a live circuit with proper voltage.	Plug power cord into a live circuit.
	Fuses blown or circuit breakers tripped.	Replace fuses or reset breakers.

Problem	Possible Cause	Solution
Dryer Will Not Run (con't)	Using a regular fuse.	Replace with a time-delay fuse.
	Dryer door not firmly closed.	Close dryer door tightly.
	PUSH TO START Button not firmly pressed.	Press PUSH TO START Button again.
	Controls not set in an ON position.	Reset controls in an ON position.
Lint in Load	Lint screen is clogged.	Clean lint screen. Check for air movement.
	Improper sorting.	Sort lint givers from lint takers and by color.
	Load is too big or heavy.	Dry smaller loads so lint can be carried to the lint screen.
	Load is overdried.	Use correct dryer settings for fabric. Overdrying can cause lint-attracting static (see "OPERATION").
	Paper or tissue in pockets.	Clean out pockets before drying.
	Pilling being mistaken for lint.	Pilling (surface fuzz) is caused by normal wear and laundering.
Stains on Load	Improper use of fabric softener in washer.	Use fabric softener sheets in dryer. Add at beginning of cycle when load is cold.
	Drying soiled items.	Items need to be clean before being dried.
Items Shrinking	Overdrying.	Match dryer settings to fabric type (see "OPERATION").
	Poor garment quality.	Check quality of garment before purchasing.
	Manufacturer's care label instructions not followed.	Follow fabric care label instructions carefully.
Loads are Wrinkled	Overloading.	Dry smaller loads that can tumble freely.
	Overdrying.	Match dryer settings to fabric type (see "OPERATION").
	Load left in dryer at the end of cycle.	Remove load as soon as tumbling stops.
Odors	Household chemicals, paint, or varnish being drawn into dryer.	Do not use dryer while these chemical fumes are in the air.
	First use of dryer element (electric only).	Will be gone after the first cycle.
Unusual Sounds	Whistle – blocked lint screen causes Lint Alert to activate.	Clean lint screen.
	Thumping of rollers when dryer has set.	Thump will go away after 5 minutes of drying.

TROUBLESHOOTING

SEARS MAINTENANCE AGREEMENT

KENMORE DRYERS

We Service What We Sell

"We Service What We Sell" is our assurance you can depend on Sears for service. Your Electric Dryer has added value when you consider that Sears has service units nationwide, staffed with professional technicians specifically trained on Sears appliances and having the parts, tools, and equipment to ensure that we meet our pledge to you... "We Service What We Sell".

Sears Maintenance Agreement

Maintain the value of your Kenmore Electric Dryer with a Sears Maintenance Agreement. Kenmore Electric Dryers are designed, manufactured, and tested for years of dependable operation. Yet any appliance may require service from time to time.

The Sears Maintenance Agreement

- Is your way to buy tomorrow's service at today's prices.
- Eliminates repair bills resulting from normal use.
- Allows for as many service calls as required.
- Provides for service by professional Sears Trained Technicians.
- Even if you don't need repairs, the Maintenance Agreement offers an annual preventative maintenance checkup at your request!

**For more information,
call 1-800-827-6655.**

.....

.....

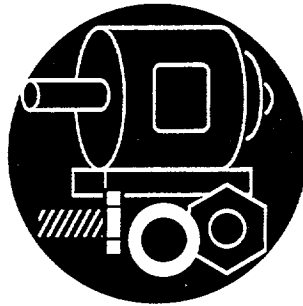
.....

.....

.....

For the repair or replacement parts you need delivered directly to your home
Call 7 am - 7 pm, 7 days a week

1-800-366-PART
(1-800-366-7278)



For in-home major brand repair service
Call 24 hours a day, 7 days a week

1-800-4-REPAIR
(1-800-473-7247)



For the location of a Sears Parts and Repair Center in your area

Call 24 hours a day, 7 days a week
1-800-488-1222



For information on purchasing a Sears Maintenance Agreement or to inquire about an existing Agreement

Call 9 am - 5 pm, Monday - Saturday
1-800-827-6655



When requesting service or ordering parts, always give the following information:

- Product Name
- Part Name
- Model Number
- Part Number

