

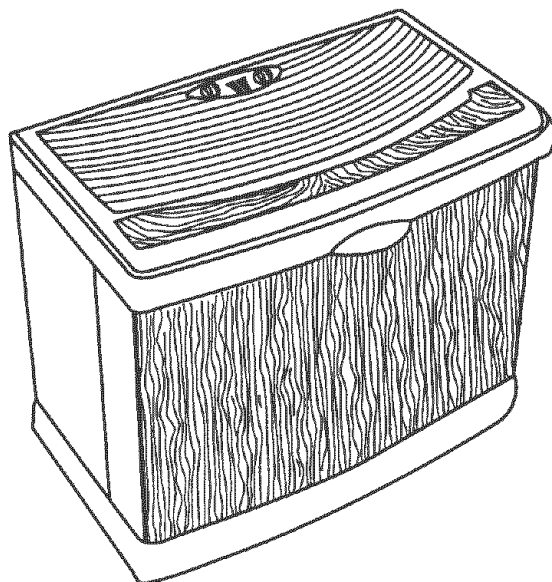
READ AND SAVE THESE INSTRUCTIONS

Operator's Manual



WHOLE HOUSE HUMIDIFIER

12 Gallon Output with
Innovative Twin Fan Technology
Model 758.144161



CAUTION: Before using this product, read this manual and follow all its Safety Rules and Operating Instructions.

- Safety
- Assembly
- Operation
- Maintenance
- Parts
- Español, p. 17

Sears, Roebuck and Co., Hoffman Estates, IL 60179 U.S.A.
www.sears.com

Part No. SP6595

Printed in Canada

ONE YEAR FULL WARRANTY ON KENMORE HUMIDIFIER

If any part of this humidifier fails due to a defect in material or workmanship within one year from the date of purchase, or if the humidifier motor fails due to a defect in material or workmanship during the second year from the date of purchase, RETURN THE HUMIDIFIER TO THE NEAREST SEARS PARTS & REPAIR CENTER, and it will be repaired free of charge. This warranty does not include humidifier filters, which are expendable parts that can wear out from normal use in less than one year. This warranty gives you specific legal rights, and you may also have other rights which vary from state to state.

Sears, Roebuck and Co., Dept. 817WA, Hoffman Estates, IL 60179

GENERAL SAFETY INSTRUCTIONS

Safety Signal Words

DANGER: means if the safety information is not followed someone **will** be seriously injured or killed.

WARNING: means if the safety information is not followed someone **could** be seriously injured or killed.

CAUTION: means if the safety information is not followed someone **may** be injured.

1. To reduce the risk of fire or shock hazard, plug humidifier directly into a 120V, A.C. electrical outlet. Do not use extension cords.
2. Keep the electric cord out of traffic areas. To reduce the risk of fire hazard, never put the electric cord under rugs, near heat registers, radiators, stoves or heaters.
3. Always unplug the humidifier before moving it, before cleaning, or whenever the humidifier is not in service.
4. Keep the humidifier clean.
5. Do not put foreign objects inside the humidifier.
6. Do not allow to be used as a toy. Close attention is necessary when used by or near children.
7. Never use your humidifier while any part is missing or damaged in any manner.
8. To reduce the risk of electrical hazard or damage to humidifier, do not tilt, jolt or tip humidifier while unit is running.
9. To reduce the risk of damage to humidifier, unplug when not in use.
10. To reduce the risk of accidental electrical shock, do not touch the cord or controls with wet hands.
11. Note the warning label shown below.

WARNING: To reduce risk of fire, electric shock, or injury always unplug before servicing or cleaning.

Table of Contents

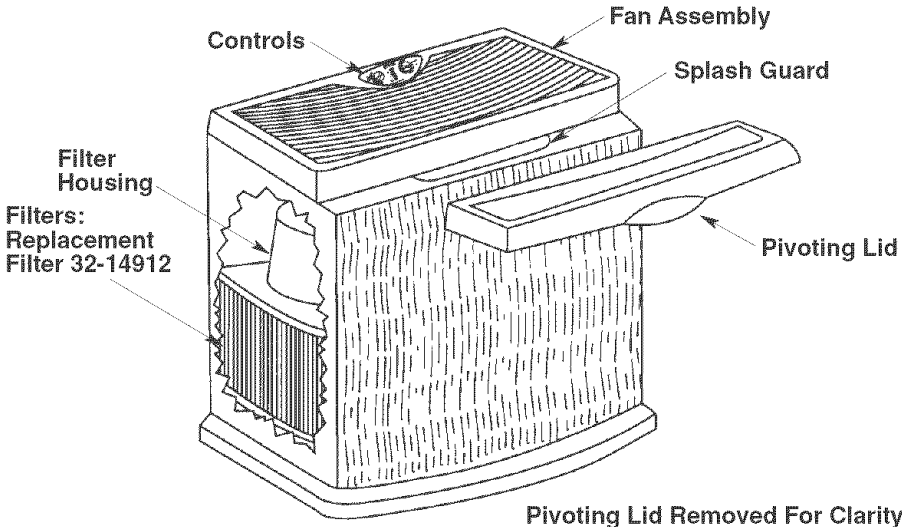
Warranty Information.....	2	Water Fill	6
General Safety Instructions	2	Operating Humidifier Controls	7
To Save A Service Call	3	Using Your Humidifier	8
Know Your Humidifier	3	Operating Tips for Best Performance	8
How Your Humidifier Works	4	Replacement and Care of Filters.....	9-10
Assembly	4	Cleaning and Maintenance	11-12
Location Instructions	5	Troubleshooting	13
Electrical Hook-Up	5	Repair Parts.....	14-15

To Save A Service Call

Check the following if your humidifier is not operating.

1. Is power cord attached to outlet?
2. Is there electrical power to outlet?
3. Is airflow control in operating position?
4. Is humidity control set high enough?
5. Is there enough water in the humidifier cabinet?

Know Your Humidifier



Description	758.144161
* Gallon Output/24 hrs	12
Capacity of Bottles	4.75 Gallons
* Sq. Ft. Coverage	2500
Fan Speeds	3
Filters	4 Pack (32-14912)
Independent Bottle Gauges	Yes
Fill Indicator	Yes
Auto Shut Off	Yes
Auto Humidistat	Yes
Controls	Rotary
CUL Listed	Yes
Volts	120 A.C.
Hertz	60
Amps	2.28
Watts	130

* Based on an area with average insulation and an 8 foot ceiling height.

How Your Humidifier Works

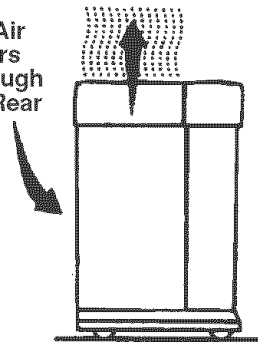
Your new Kenmore humidifier is designed to satisfy home humidity requirements through the principle of evaporation of water in the air.

After water is added to the bottle, the filters begin to soak up the water and become totally saturated in approximately 30 minutes. Air is drawn in from the rear of the humidifier and through the filters by means of circulation fans. As air passes through the filters, moisture is absorbed into the air and then released in the form of vapor. No water droplets will enter the home. All evaporation into the air takes place in the humidifier, which means that the residue left by evaporating water is not passed into the home, but remains in the filter.

CAUTION: Use only 32-14900 EPA Registered Bacteriostat available from Sears Retail store. Under no circumstances should you use water treatment products designed for Roto belt or Ultrasonic humidifiers.

Humidified Air is Then Released Through the Top

Dry Air Enters Through the Rear



CAUTION: Keep your humidifier clean. While humidifiers do not cause colds, some studies suggest that dirty humidifier can cause cold-like symptoms in some people. To reduce the risk of this, we recommend you clean your humidifier weekly with Humidifier Cleaner 32-14713 and use Bacteriostat 32-14900. These are available at your local Sears store.

Assembly

Your new Sears Kenmore humidifier is completely assembled for you to use. Remove the packaging material from inside your humidifier and follow the instructions of this operator's manual for proper usage. The packaging material is located under the fan assembly. Remove the packaging material and discard.

NOTE: The filters may have shifted during shipping. Ensure that they are properly seated in the bottom of the cabinet below the top filter housings before filling. Refer to "Replacement and Care of Filters" section on page 9.

Location Instructions

WARNING: For your own safety, do not use humidifier if any parts are damaged or missing.

Step 1:

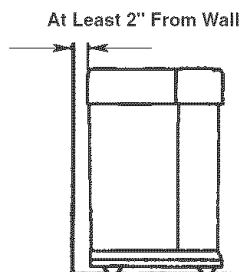
Place humidifier on a flat level surface in an area of your house where humidity is needed most, or in an area which would likely result in moist air being circulated throughout the house, such as near a cold air return.

Placing the unit level is very important if the humidifier is located on carpeting. Moist air (humidity) produced will disperse into the whole house, but area closest to the unit will have the highest humidity. If the unit is positioned close to a window, condensation may form on the window pane. If this is not appropriate the unit should be repositioned in another location.

NOTE: Due to release of cool, moist air from humidifier, it is best to direct air away from home thermostat and hot air registers. It is best to position humidifier next to an inside wall. Hot air registers and cold air from outside walls can affect the efficiencies of the controls. Unit should not be placed where warm air from a hot air register blows directly on unit.

Step 2:

The humidifier should be positioned with the back (cord exit side), at least 2 inches away from the wall. Air needs to enter through the louvers in the rear panel in order for the humidifier to operate at peak efficiency.



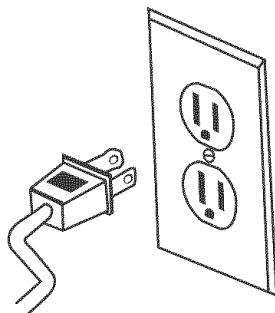
Electrical Hook-Up

Locate nearest 120V A.C. wall socket in the location desired, preferably on inside wall. With the humidifier in the desired location, route the electrical cord safely so no one will trip or upset the humidifier. Plug in the electrical cord.

WARNING: To reduce the risk of fire or shock hazard, humidifier should be plugged into a 120V A.C. outlet. Do not use extension cords.

To reduce the risk of electrical shock, this humidifier has a polarized plug (one blade is wider than the other). This plug will fit in a polarized outlet only one way.

If the plug does not fit fully in the outlet, reverse plug. If it still does not fit, contact a qualified electrician to install the proper outlet. Do not change the plug in any way.



Water Fill

WARNING: To reduce the risk of shock, always unplug humidifier before cleaning or servicing.

WARNING: To reduce the risk of fire or shock hazard, do not pour or spill water into control or motor area. If controls get wet, let them dry completely and have unit checked by authorized service personnel before plugging in.

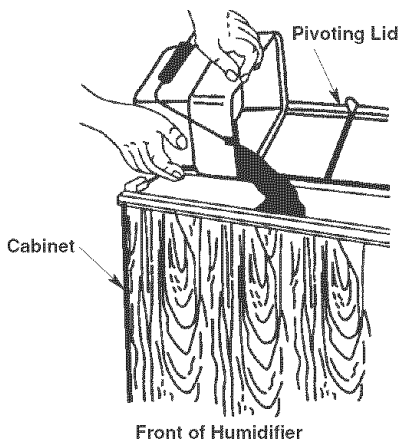
This humidifier is designed to be filled using a bucket fill method. The unit should be positioned where it will be operating. To fill the humidifier, close the control cover and open the pivoting lid. Notice the splash guard inside the cabinet of the humidifier.

Use recommended mixture of cold water and if necessary Sears Bacteriostat #32-14900 only. Pour the water slowly from a bucket into the cabinet onto the center of splash guard.

NOTE: Deflect water off center of splash guard when filling. The water deflects off the splash guard and drops into the bottom of the cabinet. Do not pour water onto top of unit or control area.

Standing in front of the humidifier, notice the "FULL" labels positioned to the left and right at the bottom inside of the cabinet. These labels indicate the maximum amount of water that can be poured into the humidifier.

Do not fill water in the cabinet above this line. If you do, water will leak out of the cabinet and onto the floor.



Operating Humidifier Controls

The operating controls of your Kenmore Quiet Comfort whole house humidifier are located on the top center of the humidifier. The controls are found under the smoked control cover, located between the air circulating fans.

Lift the control cover by placing your finger in the round cutout and lifting. The cover will stay open. Now you can clearly see the controls area. Familiarize yourself with the controls and reference the diagram of the control area for the correct naming used in this manual.

To Operate the Controls

Humidity Control:

Adjust the amount of humidity depending on your needs. The humidifier will turn on the off as required to maintain level of humidity selected. A medium setting is recommended, but there are times when low or high amount of humidity may be preferred. For constant operation of humidifier, rotate humidity knob all the way clockwise. This allows for the maximum amount of humidity to be evaporated into the air continuously.

IMPORTANT: Water damage may result if condensation starts to form on windows or walls. Humidity Control setting should be lowered until condensation no longer forms.

Speed Control:

Your Kenmore humidifier has a three speed rotary fan control. The higher the air flow speed, the more water is evaporated and released into the air. Low speed “•” is the quietest and is provided for conditions that may not require as high an evaporation rate.

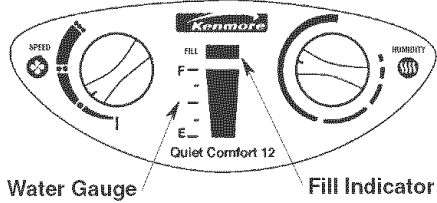
Water Level Indicator:

This humidifier is equipped with a water level gauge located in the center of the control panel. When the cabinet is full of water the large window opposite the scale will show green. As water is depleted the amount of green will decrease to correspond with the scale.

Fill Indicator:

When the unit has a small amount of water left in it, the small window next to Fill on the control panel will appear orange and the unit will automatically shut off.

NOTE: The cabinet may have a small amount of water in it once unit shuts off.



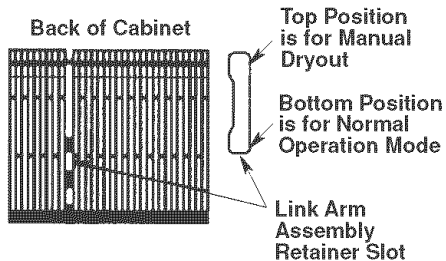
Manual Dryout:

At the end of the humidification season or if you do not plan to run the humidifier for one week or more, you can override the automatic shutoff function to completely dry the humidifier cabinet out.

To do this, simply slide the float retainer located at the back of the humidifier cabinet to the top position of the slot it is located in. This will hold the float in an upward position and the fans will run until you turn the power off.

NOTE: Be sure to position float retainer to the normal operating mode (lowest position in slot) for humidifier operation.

The following diagram is of the slot the float retainer is located in at the back of the cabinet.




Using Your Humidifier


Step 1:

Be sure humidifier is full of water and plugged in.

Step 2:

Set Speed Control “” to lowest speed “•”.

Step 3:

Set Humidity Control “” to medium position.

NOTE: Humidifier should operate with humidity control on the recommended medium setting. If it does not, the humidity is at a relatively high level.

To test the unit under this condition, turn Humidity Control all the way to clockwise and unit should begin to operate. After the unit has been tested, set Humidity Control to medium or desired level.

Allow 24 hours for humidifier to adjust.

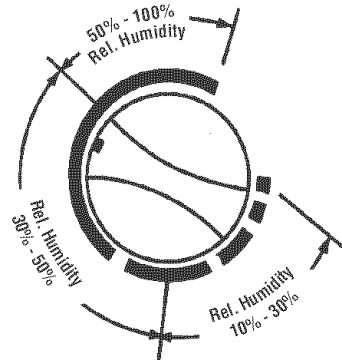
If humidity level in home is sufficient, the humidifier will only operate with Humidity Control turned all the way clockwise.

IMPORTANT: Water damage may result if condensation starts to form on windows or walls. Humidity Control setting should be lowered until condensation no longer forms.

Step 4:

If humidifier stops running and the unit is not empty, the humidity level is at the normal requirements for that setting or it is adjusting to the home conditions. The table below shows recommended indoor humidity levels. The figure shows approximate relative humidity percentages which correspond to the various settings of the Humidity Control.

When Outdoor Temperature is:	Recommended Indoor Relative Humidity is:
-10°F	20%
0°F	25%
10°F	30%
20°F	35%



Operating Tips for Best Performance

1. Position the humidifier at least 2 inches from any wall and away from any heat registers.
2. Do not restrict airflow from entering or exiting the humidifier.
3. Use Sears recommended bacteriostat 32-14900 to retard bacteria growth that may cause odors and may be harmful to your health.
4. Perform regular cleaning as instructed in “Cleaning and Maintenance” section of this manual.
5. Replace the evaporative wicking filters at least once per humidification season or more depending on water conditions in your area.

Replacement and Care of Filters

WARNING: To reduce the risk of shock or injury from moving parts, always unplug humidifier before removing or replacing any parts.

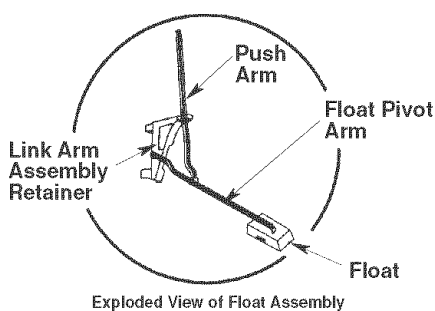
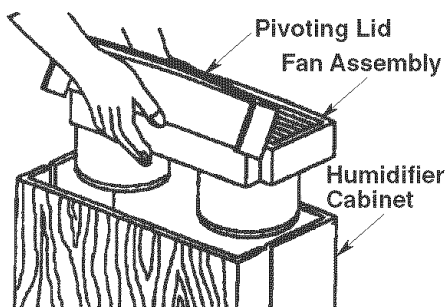
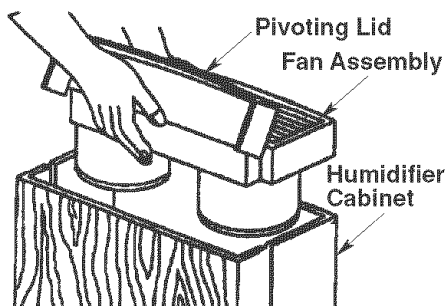
CAUTION: To help retard bacteria growth and keep maximum efficiency, the filter should be replaced at least once per season, or more often under hard water conditions. Use Kenmore 32-14912 recommended replacement filter.

All filters may be rinsed periodically in clear water only. Take care not to damage paper. To replace evaporative wicking filters in your Kenmore Quiet Comfort Whole House humidifier, follow these instructions.

1. Unplug humidifier and proceed to clean. Before removing the filters, we recommend moving the humidifier to an area where floor coverings are not susceptible to water damage, i.e. kitchen or bath areas.
2. To remove parts: Remove the fan assembly by opening the pivoting lid. Grasp the fan assembly front center and rear center. Lift off and set aside on a clean flat surface. The filter housings are now accessible.

NOTE: There are two filter housing assemblies. Each assembly consists of a top filter housing and a front filter housing. The front filter housing contains tabs that secure the top filter housing. Do not remove the front filter housings.

3. To remove top filter housing, deflect the two vertical tabs on top of front filter housing and lift up and out of cabinet. With a soft, absorbent cloth remove any remaining water or loose mineral deposits not trapped in the filter from the filter housing assemblies.
4. Remove the two filters and dispose of properly. Repeat for other top filter housing. Clean internal parts of humidifier per the "Cleaning and Maintenance" section of this operator's manual.

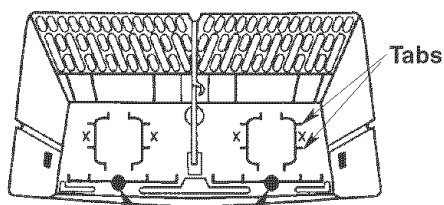


Replacement and Care of Filters (cont'd.)

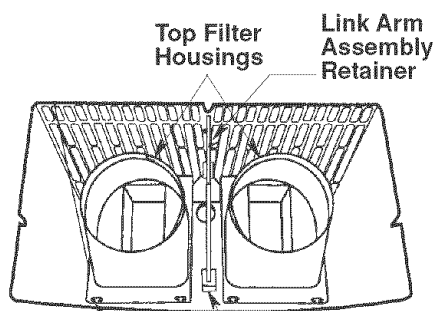
5. a. Install new filter (32-14912) in the bottom of the cabinet.

NOTE: The new filters will only fit into the cabinet one way. Take note of the inner cabinet detail where the filters sit. Each pair of filters must be positioned so the glue beads face out from each other. Refer to Figure 5a.

- b. Place the filters into the bottom of the cabinet so the open pleats slip over the tabs in the bottom of the cabinet. Repeat for other side.
- c. Reposition top filter housings on top of filters and snap into front filter housings.
- d. Position fan assembly onto the cabinet. Make sure the fan venturi (lowest cylinder section below the fan) is placed inside the top filter housings.
- e. Close the pivoting lid on the fan assembly.
- f. The unit is ready for use or to be stored away for next season.



Front of Humidifier
Figure 5a - Filter Locations Marked X



Front of Humidifier
(Top View)

Cleaning and Maintenance

WARNING: To reduce the risk of injury, fire or damage to humidifier, use only cleaners specifically recommended for humidifiers. Never use flammable, combustible or poisonous materials to clean your humidifier. To reduce the risk of scalds and damage to humidifier, never put hot water in humidifier.

CAUTION: Local water purity varies from area to area and under certain conditions water impurities and airborne bacteria may promote the growth of microorganisms in the reservoir of the humidifier. To retard bacteria growth that may cause odors and be harmful to your health, use only Sears replacement filters. We also recommend using EPA approved bacteriostat, 32-14900 and humidifier cleaner, 32-14713, available at your local Sears store.

NOTE: If it is necessary to use approved bacteriostat, follow directions correctly. The cabinet of the whole house humidifier will hold 4-3/4 gallons of water.

Step 1:

To make cleaning easier, the humidifier cabinet should be empty and completely dried out. To accomplish this, use the following method:

- On the back side of the humidifier cabinet, find the float retainer. In normal operating mode, the retainer will be positioned in the bottom of the slot in the cabinet. Push the retainer up to the top slot position in the cabinet until it locks in place. (See "Manual Dryout" section on page 8.)
- Allow the humidifier to run until there is no water left in the cabinet.
- Unplug humidifier.

WARNING: To reduce the risk of shock, always unplug humidifier before cleaning or servicing. If humidifier is not unplugged, fan could start after housing is removed.

Step 2:

To Remove Parts

- Remove the fan assembly by opening the pivoting lid. Grasp the fan assembly front center and rear center. Lift off and set aside on a clean flat surface.
- Before removing the internal parts of the humidifier cabinet, we recommend moving the humidifier to an area where floor covers are not susceptible to water damage, i.e.; kitchen or bath area.
- Deflect the two vertical tabs on top of the front filter housing to release the top filter housing. Lift top filter housing straight up and out of cabinet. Repeat for other top filter housing.
- Remove old filters and dispose of properly.
- Remove the water level float from the humidifier cabinet by pinching the float retainer to release it from the cabinet. The cabinet should be empty before cleaning. The cabinet consists of the lower areas of the humidifier where the filters are during normal operation time.
- Empty cabinet of any remaining water.
- Proceed to "Bi-Weekly Maintenance" or "End of Season Maintenance" and then continue as described below.

Step 3:

Install new filters (Kenmore 32-14912 Replacement Filters) into the location where the old filters were positioned. Reinstall the water level float assembly into the cabinet.

NOTE: Link arm assembly retainer should be positioned in normal operating mode. Assure that it is positioned in the bottom of the slot in the back of the cabinet (See page 7 for diagram of slot). Reposition top filter housing on top of the filters and snap onto front filter housings. Position the fan assembly on top of the cabinet and return the humidifier to the desired location for use.

Refill humidifier cabinet with fresh cool water. Plug the unit into a 120 volt A.C. power outlet and set the controls per the "Operating Humidifier Controls" section of this manual.

Cleaning and Maintenance (cont'd.) ---

Bi-Weekly Maintenance

Removing Scale

1. Fill the humidifier base with one 8 oz. cup of undiluted white vinegar. Let solution stay 20 minutes.
2. Clean all interior surfaces with a soft brush. Dampen a soft cloth with undiluted white vinegar and wipe out the base to remove scale.
3. Rinse thoroughly with clean warm water to remove scale and cleaning solution before disinfecting cabinet.
4. Dust the fan assembly and outside surfaces with a soft cloth only.

Disinfecting Humidifier Cabinet

1. Fill humidifier cabinet with 1 teaspoon chlorine bleach in 1 gallon of water. Let solution stay for 20 minutes, carefully swishing every few minutes. Wet all surfaces normally exposed to water.
2. Empty humidifier cabinet after 20 minutes. Rinse with water until bleach smell is gone. Allow unit to dry out completely..

End of Season Maintenance

1. Follow "Bi-Weekly Maintenance" instructions at end of humidification season.
2. Remove and throw away filters.
3. Let humidifier dry completely before storing. Do not store with water inside cabinet.
4. Store in cool, dry location.
5. Install a new filters in clean humidifier before next season begins.
6. "Bi-Weekly Maintenance" procedure is also recommended if you do not plan to run the humidifier for one week or more.

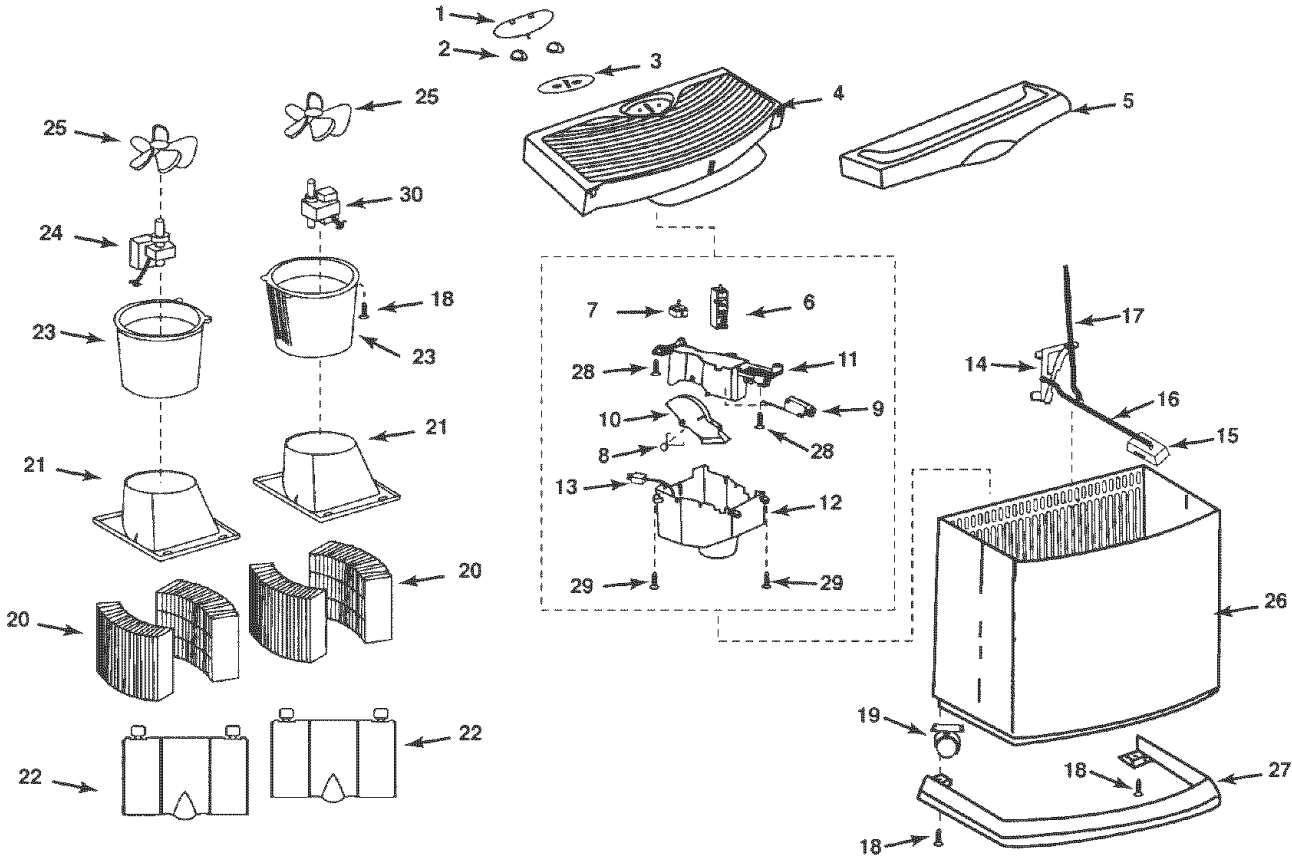
Troubleshooting

Trouble	Probable Cause	Remedy
Unit will not run.	<ul style="list-style-type: none"> Selected humidity level has been established. No Power. 	<ul style="list-style-type: none"> Raise humidistat setting if desired. Check 120 volt source for power.
Unit will not shut off.	<ul style="list-style-type: none"> Float retainer is positioned in "Manual Dryout" position. Float is not free. 	<ul style="list-style-type: none"> Slide link arm assembly retainer to lowest position in slot at back of cabinet. (See page 7). Free float from obstruction.
Unit will not dry out completely.	<ul style="list-style-type: none"> A small amount of water remains in cabinet when water level indicator reads FILL. 	<ul style="list-style-type: none"> Position float assembly in "Manual Dryout" position. (See page 7).
Unit is not emptying during use.	<ul style="list-style-type: none"> Dirty filters. 	<ul style="list-style-type: none"> Change to fresh new filters.
Water runs out of rear of unit. Water level gauge not functioning properly.	<ul style="list-style-type: none"> Water splashing during filling. Filters interfering with float. 	<ul style="list-style-type: none"> Deflect fill water off the center of the splash guard. Do not overfill past "Full" label in cabinet. Be sure filters are positioned properly in bottom of cabinet. (See page 9).

CAUTION: Use only 32-14900 EPA Registered Bacteriostat available from Sears Retail store. Use of other water treatment products may damage the filter elements. Under no circumstances should you use water treatment products designed for Roto belt or Ultrasonic humidifiers.

Repair Parts

Parts List for Kenmore Humidifier
Model No. 758.144161



Repair Parts

Parts List for Kenmore Humidifier Model No. 758.144161

Always order by part number - Not by key number

Key No	Part No.	Description
17	828759	Push, Arm
18	STD601107	* Screw, Pan Hd. Ty "AB" #10 x 3/4
19	828515	Caster, Twin Wheel
20	32-14911	† Filter, Evaporative
21	828194	Housing, Top Filter
22	828195	Housing, Front Filter
23	828534	Support Motor
24	828115	Motor (Includes Mounting Hardware)
25	822406-1	Fan
26	828998	Cabinet
27	823726	Rail, Kick
28	816069-5	* Screw, Pan Hd. Ty "AB" #6 x 1/2
29	STD600805	* Screw, Pan Hd. Ty "AB" #8 x 1/2
30	828907	Motor (Includes Lead)
—	SP6595	Operator's Manual (Not Illustrated)

* Standard Hardware Item - May be purchased locally

† Stock item - May be secured through the Hardware Department of most Sears retail stores.

Key No	Part No.	Description
1	828743	Cover, Dust
2	828756	Knob
3	828760	Label, Control
4	828741	Lid, Stationary
5	828855	Lid, Pivoting
6	822409	Humidistat
7	823912	Switch, Rotary
8	828754	Spring, Torsion
9	828898	Switch, Micro
10	828747	Wheel, Indicator
11	828748	Retainer, Micro Switch
12	828744	Enclosure, Electronics
13	824120	Cord w/Plug
14	828757	Retainer, Link Arm Assembly
15	828746	Float, Water Level
16	828758	Arm, Float Pivot

NOTE: Any attempt to repair the control assembly or motor may create a hazard unless repair is done by a qualified service technician. Repair service is available at your nearest Sears store.

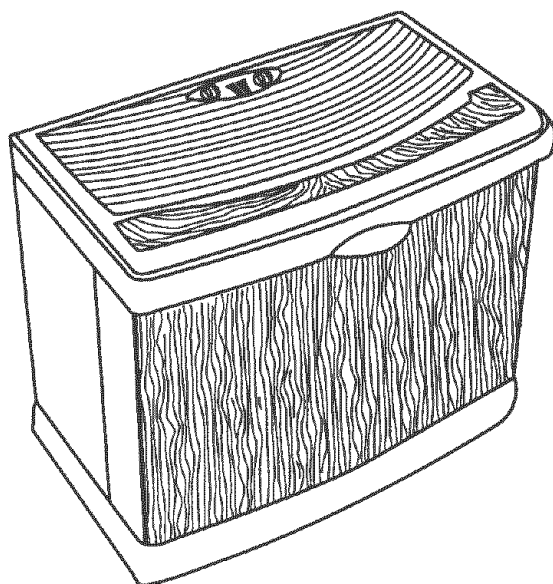
LEA Y GUARDE ESTAS INSTRUCCIONES

Manual del usuario



HUMIDIFICADOR PARA TODA LA CASA

Producción de 12 galones con
tecnología innovadora de ventiladores gemelos
modelo 758.144161



PRECAUCIÓN: Antes de utilizar este producto, lea este manual y siga todas las normas de seguridad e instrucciones de utilización.

- Seguridad
- Ensamblaje
- Utilización
- Mantenimiento
- Piezas

Sears, Roebuck and Co., Hoffman Estates, IL 60179 U.S.A.
www.sears.com

No. de pieza SP6595

Impreso en Canadá

GARANTÍA COMPLETA DE UN AÑO PARA EL HUMIDIFICADOR KENMORE

Si cualquier pieza de este humidificador falla debido a un defecto de material o de fabricación dentro del plazo de un año a partir de la fecha de compra, o si el motor del humidificador falla debido a un defecto de material o de fabricación durante el segundo año a partir de la fecha de compra, DEVUELVA EL HUMIDIFICADOR AL CENTRO DE PIEZAS Y REPARACIÓN DE SEARS MÁS CERCANO y será reparado sin ningún cargo. Esta garantía no incluye los filtros del humidificador, que son piezas perecederas que se pueden desgastar por causa del uso normal en menos de un año. Esta garantía le confiere a usted derechos legales específicos y es posible que usted también tenga otros derechos que varían de un estado a otro.

Sears, Roebuck and Co., Dept. 817WA, Hoffman Estates, IL 60179

INSTRUCCIONES GENERALES DE SEGURIDAD

Palabras de señal de seguridad

PELIGRO: Significa que si no se sigue la información de seguridad, alguien **resultará** lesionado gravemente o morirá.

ADVERTENCIA: Significa que si no se sigue la información de seguridad, alguien **podría** resultar lesionado gravemente o morir.

PRECAUCIÓN: Significa que si no se sigue la información de seguridad, alguien **podría** resultar lesionado.

1. Para reducir el riesgo de peligro de incendio o descargas eléctricas, enchufe el humidificador directamente en un tomacorriente de 120 V C.A. No use cordones de extensión.
2. Mantenga el cable eléctrico alejado de las zonas de tráfico. Para reducir el riesgo de peligro de incendio, no ponga nunca el cordón eléctrico debajo de alfombras ni cerca de salidas de calor, radiadores de calor, estufas de cocina o calentadores.
3. Desenchufe siempre el humidificador antes de trasladarlo, antes de limpiarlo o siempre que no esté en servicio.
4. Mantenga limpio el humidificador.

5. No ponga objetos extraños dentro del humidificador.
6. No deje que el humidificador se use como un juguete. Es necesario prestar mucha atención cuando el humidificador sea usado por niños o cerca de ellos.
7. No utilice nunca el humidificador mientras alguna pieza falte o esté dañada de cualquier manera.
8. Para reducir el riesgo de peligro eléctrico o daños al humidificador, no incline, sacuda ni vuelque el humidificador mientras la unidad esté en marcha.
9. Para reducir el riesgo de daños al humidificador, desenchúfelo cuando no esté en uso.
10. Para reducir el riesgo de descargas eléctricas accidentales, no toque el cable de alimentación ni los controles con las manos mojadas.
11. Fíjese en la etiqueta de advertencia que se muestra a continuación.

ADVERTENCIA: Para reducir el riesgo de incendio, descargas eléctricas o lesiones, desenchufe siempre el humidificador antes de hacerle servicio de ajustes y reparaciones o limpiarlo.

Índice

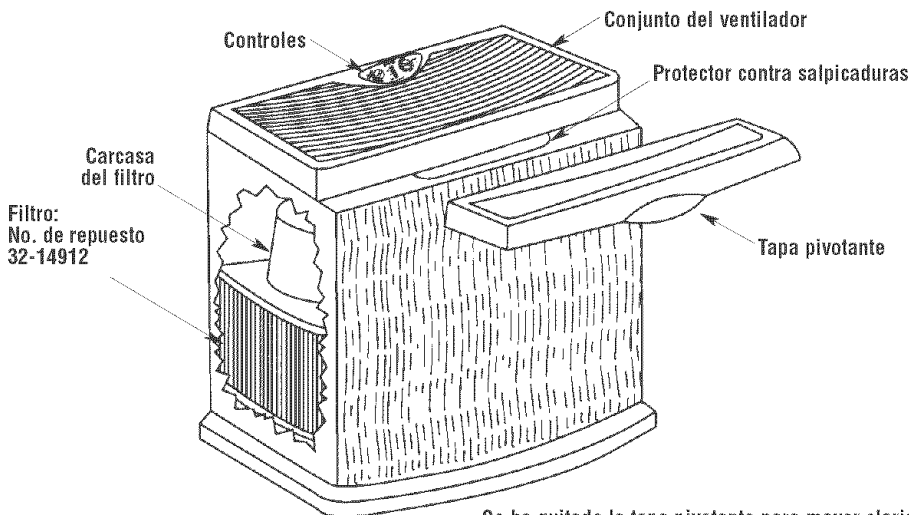
Información de garantía	18	Utilización de los controles del humidificador	23
Instrucciones generales de seguridad	18	Utilización del humidificador	24
Para ahorrarse una llamada de servicio	19	Consejos de utilización para lograr el mejor rendimiento	24
Familiarícese con el humidificador	19	Reemplazo y cuidado de los filtros	25-26
Cómo funciona el humidificador	20	Limpieza y mantenimiento	27-28
Ensamblaje	4	Resolución de problemas	29
Instrucciones de ubicación	21	Piezas de repuesto	30-31
Conexión eléctrica	21		
Llenado con agua	22		

Para ahorrarse una llamada de servicio

Compruebe lo siguiente si el humidificador no funciona.

1. ¿Está el cable de alimentación conectado a un tomacorriente?
2. ¿Hay alimentación eléctrica al tomacorriente?
3. ¿Está el control del flujo de aire en la posición de funcionamiento?
4. ¿Está el control de humedad ajustado a un nivel lo suficientemente alto?
5. ¿Hay suficiente agua en el gabinete del humidificador?

Familiarícese con el humidificador



Se ha quitado la tapa pivotante para mayor claridad

Descripción	758.144161
* Producción en galones /24 h	12
Capacidad de las botellas	4,75 galones
* Cobertura en pies cuadrados	2500
Velocidades del ventilador	3
Filtros	Paquete de 4 (32-14912)
Calibres de botella independientes	Sí
Indicador de llenado	Sí
Apagado automático	Sí
Higrostat automático	Sí
Controles	Giratorios
Catalogado por CUL	Sí
Voltaje	120 V C.A.
Frecuencia	60 Hz
Intensidad (alta velocidad)	2,28 A
Potencia (alta velocidad)	130 W

* Basada en una zona con aislamiento promedio y una altura de habitación de 2,44 m (8 pies).

Cómo funciona el humidificador

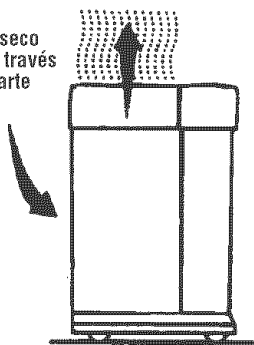
Su nuevo humidificador Kenmore está diseñado para satisfacer los requisitos de humedad del hogar a través del principio de la evaporación del agua en el aire.

Después de añadir agua a la botella, los filtros comienzan a absorber el agua y se saturan totalmente en aproximadamente 30 minutos. Se hace entrar aire de la parte trasera del humidificador y a través de los filtros por medio de los ventiladores de circulación. A medida que el aire pasa a través de los filtros, absorbe humedad, la cual se libera a continuación en forma de vapor. No entrarán gotitas de agua en la casa. Toda la evaporación al aire tiene lugar en el humidificador, lo cual significa que los residuos dejados por el agua que se evapora no se pasan a la casa, sino que permanecen en el filtro.

PRECAUCIÓN: Utilice únicamente un bacteriostato registrado por EPA 32-14900, el cual se puede obtener en una tienda minorista Sears. En ninguna circunstancia debe usted usar productos de tratamiento de agua diseñados para humidificadores de rotocorrea o ultrasónicos.

Luego, se expulsa aire humidificado a través de la parte superior

El aire seco entra a través de la parte trasera



PRECAUCIÓN: Mantenga limpio el humidificador. Aunque los humidificadores no causan resfriados, algunos estudios sugieren que un humidificador sucio puede causar síntomas parecidos a los de los resfriados en algunas personas. Para reducir este riesgo, recomendamos que limpie el humidificador semanalmente con el limpiador de humidificador 32-14713 y utilice el bacteriostato 32-14900. Estos se pueden conseguir en la tienda minorista Sears más cercana.

Ensamblaje

Su nuevo humidificador Sears Kenmore viene completamente ensamblado listo para que usted lo use. Saque el material de empaquetamiento del interior del humidificador y siga las instrucciones contenidas en este manual del usuario para utilizar correctamente el humidificador. El material de empaquetamiento está ubicado debajo del conjunto de los ventiladores. Saque el material de empaquetamiento y deséchelo.

NOTA: Los filtros pueden haber cambiado de posición durante el transporte. Asegúrese de que estén asentados correctamente en el fondo del gabinete, debajo de las carcasas superiores de los filtros, antes de llenar la unidad. Consulte la sección "Reemplazo y cuidado de los filtros" en la página 25.

Instrucciones de ubicación

ADVERTENCIA: Para su propia seguridad, no utilice el humidificador si alguna pieza está dañada o falta.

Paso 1:

Coloque el humidificador en una superficie plana y nivelada, en un área de su casa donde más se necesite la humedad o en un área en la que probablemente se hará circular aire húmedo por toda la casa, como por ejemplo cerca de un retorno de aire frío.

La colocación de la unidad de modo que esté nivelada es muy importante si el humidificador está ubicado sobre una alfombra.

El aire húmedo (la humedad) que se produce se dispersará por toda la casa, pero el área más próxima a la unidad tendrá la humedad más alta. Si la unidad está posicionada cerca de una ventana, es posible que se forme condensación en el vidrio de la ventana. Si esto no es apropiado, se debe reubicar la unidad en otra ubicación.

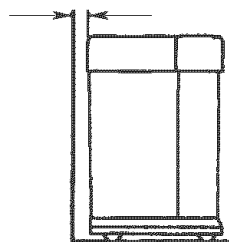
NOTA: Debido a que el humidificador expulsa aire frío y húmedo, lo mejor es dirigir el aire alejándolo del termostato de la casa y las salidas de aire caliente. Lo mejor es posicionar el humidifi-

cador junto a una pared interior. Las salidas de aire caliente y el aire frío procedente de las paredes exteriores pueden afectar las eficiencias de los controles. La unidad no se debe colocar en lugares donde el aire templado de una salida de aire caliente sople directamente hacia ella.

Paso 2:

El humidificador se debe posicionar con la parte trasera (el lado de salida del cable de alimentación) al menos a 2 pulgadas (5 cm) de la pared. Es necesario que entre aire a través de las rejillas ubicadas en el panel trasero para que el humidificador funcione con la máxima eficiencia.

Al menos a 5 cm (2 pulg.) de la pared



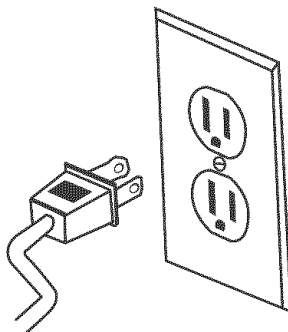
Conexión eléctrica

Localice el tomacorriente de pared de 120 V C.A. más cercano en la ubicación deseada, preferiblemente en una pared interior. Con el humidificador en la ubicación deseada, dirija el cordón eléctrico de modo seguro para que nadie tropiece con él ni desajuste el humidificador. Enchufe el cordón eléctrico.

ADVERTENCIA: Para reducir el riesgo de peligro de incendio o descargas eléctricas, el humidificador debe enchufarse en un tomacorriente de 120 V C.A. No utilice cordones de extensión.

Para reducir el riesgo de descargas eléctricas, este humidificador tiene un enchufe polarizado (un terminal es más ancho que el otro). Este enchufe entrará de un solo modo en un tomacorriente polarizado.

Si el enchufe no entra completamente en el tomacorriente, invierta el enchufe. Si sigue sin entrar, póngase en contacto con un electricista calificado para que instale el tomacorriente apropiado. No cambie el enchufe de ningún modo.



Llenado con agua

ADVERTENCIA: Para reducir el riesgo de descargas eléctricas, desenchufe siempre el humidificador antes de limpiarlo o hacerle servicio de ajustes y reparaciones.

ADVERTENCIA: Para reducir el riesgo de peligro de incendio o descargas eléctricas, no eche ni derrame agua en el área de los controles o del motor. Si los controles se mojan, deje que se sequen completamente y haga que la unidad sea revisada por personal de servicio autorizado antes de enchufarla.

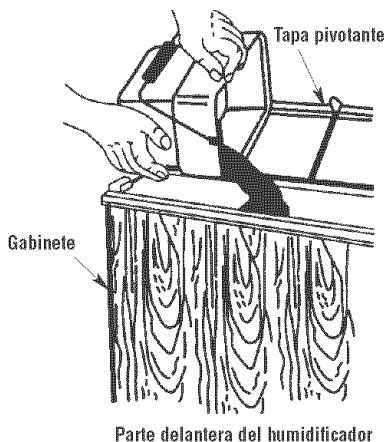
Este humidificador está diseñado para llenarse utilizando un método de llenado con cubo. La unidad se debe posicionar en el lugar donde se vaya a utilizar. Para llenar el humidificador, ponga la cubierta de los controles en posición cerrada y ponga la tapa pivotante en posición abierta. Fíjese en el protector contra salpicaduras ubicado en el interior del gabinete del humidificador.

Use la mezcla recomendada de agua fría y, si es necesario, bacteriostato Sears No. 32-14900 solamente. Eche el agua lentamente en el gabinete con un cubo, sobre el centro del protector contra salpicaduras.

NOTA: Eche el agua de modo que se desvíe en el centro del protector contra salpicaduras cuando llene la unidad. El agua se desvía en el protector contra salpicaduras y cae al fondo del gabinete. No eche agua en la parte superior de la unidad ni en el área de los controles.

Sitúese delante del humidificador y fíjese en las etiquetas de "FULL" (LLENO) ubicadas a la izquierda y a la derecha del fondo en el interior del gabinete. Estas etiquetas indican la cantidad máxima de agua que se puede echar en el humidificador.

No llene el gabinete con agua por encima de esta línea. Si lo hace, el agua se escapará del gabinete y caerá al piso.



Utilización de los controles del humidificador

Los controles de utilización del humidificador para toda la casa Kenmore Quiet Comfort están ubicados en la parte superior central del humidificador. Los controles se encuentran debajo de la cubierta ahumada de los controles, ubicada entre los ventiladores de circulación de aire.

Levante la cubierta de los controles colocando un dedo en la abertura redonda y tirando con él hacia arriba. La cubierta permanecerá en posición abierta. Una vez hecho esto, podrá ver claramente el área de los controles. Familiarícese con los controles y consulte el diagrama del área de los controles para obtener los nombres correctos que se utilizan en este manual.

Para utilizar los controles

Control de humedad:

Ajuste la cantidad de humedad según sus necesidades. El humidificador se encenderá y apagará según se requiera para mantener el nivel de humedad seleccionado. Se recomienda un ajuste intermedio, pero hay ocasiones en que se puede preferir una cantidad de humedad baja o alta. Para que el humidificador funcione constantemente, gire el botón giratorio de humedad completamente en el sentido de las agujas del reloj. Esto permite que se evapore continuamente al aire la máxima cantidad de humedad.

IMPORTANTE: Se pueden producir daños causados por agua si se empieza a formar condensación en las ventanas o en las paredes. El ajuste del control de humedad debe bajarse hasta que ya no se forme condensación.

Control de velocidad:

Este humidificador Kenmore tiene un control de ventilador giratorio de tres velocidades. Cuanto más alta sea la velocidad del flujo de aire, más agua se evaporará y se liberará al aire. La velocidad baja "•" es la más silenciosa y se proporciona para condiciones que no requieran una tasa de evaporación tan alta.

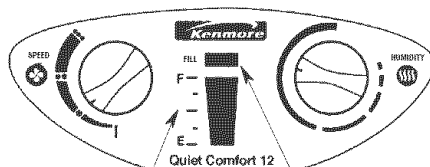
Indicador del nivel de agua:

Este humidificador está equipado con un medidor del nivel de agua ubicado en el centro del panel de controles. Cuando el gabinete esté lleno de agua, la ventana grande opuesta a la escala se pondrá verde. A medida que el agua se vaya consumiendo, la cantidad de verde disminuirá para corresponder con la escala.

Indicador de llenado:

Cuando a la unidad le quede una pequeña cantidad de agua en su interior, la ventana pequeña que está junto al indicador de llenado en el panel de controles se pondrá naranja y la unidad se apagará automáticamente.

NOTA: El gabinete puede tener una pequeña cantidad de agua una vez que la unidad se apague.



Medidor de agua

Indicador de llenado

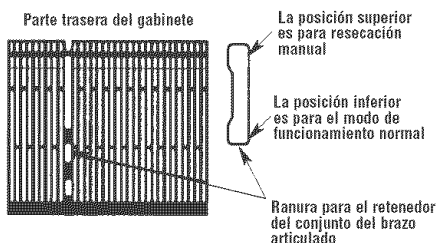
Resecación manual:

Al final de la temporada de humidificación o si usted no tiene planeado utilizar el humidificador durante una semana o más, puede anular la función de apagado automático para secar completamente el gabinete del humidificador.

Para hacer esto, simplemente deslice el retenedor del flotador, ubicado en la parte trasera del gabinete del humidificador, hasta la posición superior de la ranura en la que está ubicado. Esto sujetará el flotador en posición hacia arriba y los ventiladores funcionarán hasta que usted apague la unidad.

NOTA: Asegúrese de posicionar el retenedor del flotador en el modo de funcionamiento normal (la posición más baja de la ranura) para el funcionamiento del humidificador.

El diagrama siguiente corresponde a la ranura en la que el retenedor del flotador está ubicado en la parte trasera del gabinete.



Utilización del humidificador

Paso 1:

Asegúrese de que el humidificador esté lleno de agua y enchufado.

Paso 2:

Ajuste el control de velocidad “” a la velocidad más baja “”.

Paso 3:

Ajuste el control de humedad “” en la posición intermedia.

NOTA: El humidificador debería funcionar con el control de humedad en el ajuste intermedio recomendado. Si no se pone en funcionamiento, la humedad está a un nivel relativamente alto.

Para probar la unidad en estas condiciones, gire el control de humedad completamente en el sentido de las agujas del reloj. La unidad debería comenzar a funcionar. Después de haber probado la unidad, ajuste el control de humedad en el nivel intermedio o en el nivel deseado.

Deje que transcurran 24 horas para que el humidificador se ajuste.

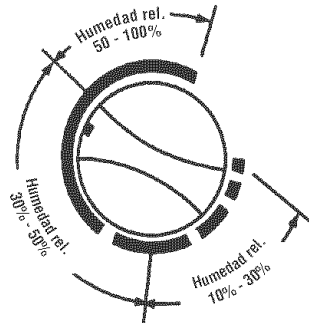
Si el nivel de humedad de la casa es suficiente, el humidificador funcionará solamente con el control de humedad girado completamente en el sentido de las agujas del reloj.

IMPORTANTE: Se pueden producir daños causados por agua si se empieza a formar condensación en las ventanas o en las paredes. El ajuste del control de humedad debe bajarse hasta que ya no se forme condensación.

Paso 4:

Si el humidificador deja de funcionar y la unidad no está vacía, el nivel de humedad está en los requisitos normales para ese ajuste o se está ajustando a las condiciones de la casa. La tabla que aparece más adelante muestra los niveles de humedad interior recomendados. La figura muestra los porcentajes de humedad relativa aproximados que corresponden a los diversos ajustes del control de humedad.

Cuando la temperatura exterior es:		La humedad relativa interior recomendada es:
-10° F	-24° C	20%
0° F	-18° C	25%
10° F	-12° C	30%
20° F	-6° C	35%



Consejos de utilización para lograr el mejor rendimiento

1. Posicione el humidificador al menos a 2 pulgadas (5 cm) de cualquier pared y alejado de todas las salidas de calor.
2. No restrinja la entrada ni la salida del flujo de aire del humidificador.
3. Use el bacteriostato Sears 32-14900 recomendado para retardar el crecimiento de bacterias que podría causar olores y podría ser perjudicial para su salud.
4. Limpie regularmente el humidificador siguiendo las instrucciones de la sección “Limpieza y mantenimiento” de este manual.
5. Reemplace los filtros de mecha evaporativos al menos una vez por temporada de humidificación o más, dependiendo de las condiciones del agua de su zona.

Reemplazo y cuidado de los filtros

ADVERTENCIA: Para reducir el riesgo de descargas eléctricas o lesiones causadas por las piezas móviles, desenchufe siempre el humidificador antes de quitar o reemplazar cualquier pieza.

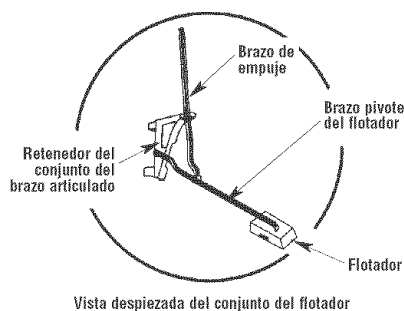
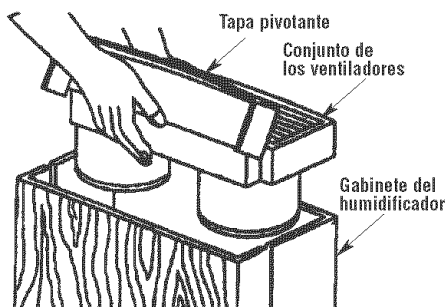
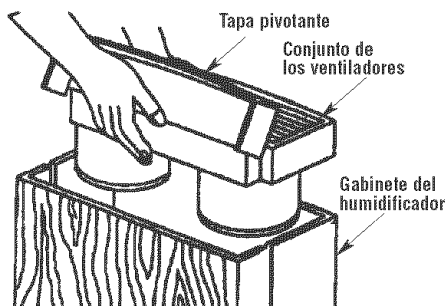
PRECAUCIÓN: Para ayudar a retardar el crecimiento de bacterias y mantener la máxima eficiencia, se debe reemplazar el filtro al menos una vez por estación, o más a menudo en condiciones de agua dura. Use el filtro de repuesto recomendado Kenmore 32-14912.

Todos los filtros se pueden enjuagar periódicamente pero sólo con agua limpia. Tenga cuidado de no dañar el papel. Para reemplazar los filtros de mecha evaporativos del humidificador para toda la casa Kenmore Quiet Comfort, siga estas instrucciones.

1. Desenchufe el humidificador y proceda a limpiarlo. Antes de quitar los filtros, recomendamos trasladar el humidificador a un área donde los revestimientos del piso no sean propensos a sufrir daños por causa del agua, como por ejemplo áreas de cocina o de baño.
2. Para quitar las piezas: Quite el conjunto de los ventiladores levantando la tapa pivotante para abrir la unidad. Agarre la parte delantera central y la parte trasera central del conjunto de los ventiladores. Levante dicho conjunto y póngalo a un lado en una superficie plana y limpia. Una vez hecho esto, se tendrá acceso a las carcasas de los filtros.

NOTA: Hay dos conjuntos de carcasa de los filtros. Cada conjunto consiste en una carcasa superior del filtro y una carcasa delantera del filtro. La carcasa delantera del filtro contiene lengüetas que sujetan la carcasa superior del filtro. No quite las carcasas delanteras de los filtros.

3. Para quitar la carcasa superior del filtro, desvíe las dos lengüetas verticales ubicadas en la parte superior de la carcasa delantera del filtro y levante la carcasa hacia arriba y hacia fuera del gabinete. Con un paño absorbente suave, quite de los conjuntos de carcasa de los filtros toda el agua que quede o todos los depósitos minerales sueltos que no estén atrapados en el filtro.
4. Saque los dos filtros y deséchelos. Repita el procedimiento para la otra carcasa superior del filtro. Limpie las piezas internas del humidificador siguiendo las instrucciones de la sección "Limpieza y mantenimiento" de este manual del usuario.



Reemplazo y cuidado de los filtros (continuación)

5. a. Instale un filtro nuevo (32-14912) en el fondo del gabinete.

NOTA: Los filtros nuevos cabrán solamente de una manera en el gabinete. Fijese en los detalles del interior del gabinete donde los filtros se asientan. Cada par de filtros se debe posicionar de modo que las gotas de adhesivo estén orientadas hacia fuera unas respecto a otras. Consulte la Figura 5a.

b. Coloque los filtros en el fondo del gabinete de modo que los pliegues abiertos se deslicen sobre las lengüetas ubicadas en el fondo del gabinete. Repita el procedimiento para el otro lado.

c. Reposicione las carcasas superiores de los filtros sobre la parte de arriba de los filtros y acóplelas a presión en las carcasas delanteras de los filtros.

d. Posicione el conjunto de los ventiladores sobre el gabinete. Asegúrese de que el tubo Venturi de los ventiladores (la sección cilíndrica más baja ubicada debajo de los ventiladores) esté colocado dentro de las carcasas superiores de los filtros.

e. Ponga la tapa pivotante en posición cerrada sobre el conjunto de los ventiladores.

f. La unidad está lista para utilizarse o para almacenarse para la próxima temporada.

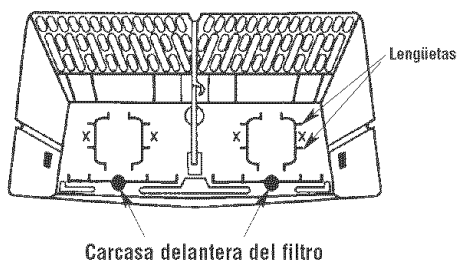
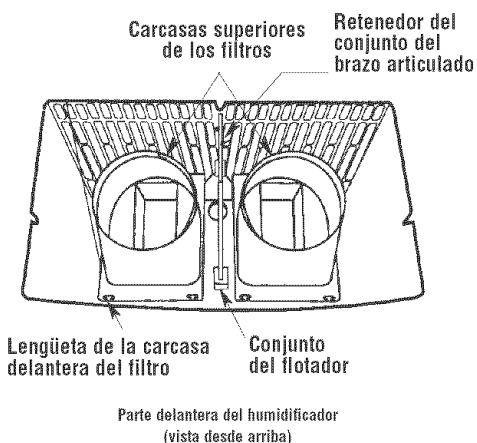


Figura 5a. Las ubicaciones de los filtros están marcadas con una X



Limpieza y mantenimiento

ADVERTENCIA: Para reducir el riesgo de lesiones, incendio o daños al humidificador, utilice únicamente limpiadores recomendados específicamente para humidificadores. No utilice nunca materiales inflamables, combustibles o tóxicos para limpiar el humidificador. Para reducir el riesgo de quemarse y de dañar el humidificador, no ponga nunca agua caliente en el humidificador.

PRECAUCIÓN: La pureza del agua local varía de una zona a otra y en ciertas condiciones las impurezas contenidas en el agua y las bacterias suspendidas en el aire pueden fomentar el crecimiento de microorganismos en el depósito del humidificador.

Para retardar el crecimiento de bacterias que pueden causar olores y ser perjudiciales para la salud, utilice únicamente filtros de repuesto Kenmore. También recomendamos utilizar el bacteriostato 32-14900 aprobado por la EPA y el limpiador para humidificadores 21-1473, los cuales se pueden conseguir en su tienda local Sears.

NOTA: Si es necesario utilizar un bacteriostato aprobado, siga correctamente las instrucciones.

El gabinete del humidificador para toda la casa tiene capacidad para 4-3/4 galones de agua.

Paso 1:

Para facilitar la limpieza, el gabinete del humidificador se debe vaciar y secar completamente. Para lograr esto, use el método siguiente:

- En el lado trasero del gabinete del humidificador, localice el retenedor del flotador. En el modo de funcionamiento normal, el retenedor estará posicionado en la parte inferior de la ranura ubicada en el gabinete. Empuje el retenedor hacia arriba hasta la posición superior de la ranura del gabinete, hasta que quede bloqueado en esa posición. (Consulte la sección "Resecación manual" en la página 23.)

ADVERTENCIA: Para reducir el riesgo de descargas eléctricas, desenchufe siempre el humidificador antes de limpiarlo o hacerte servicio de ajustes y reparaciones. Si el humidificador no está desenchufado, el ventilador podría ponerse en marcha después de quitar la carcasa.

- Deje que el humidificador funcione hasta que no quede agua en el gabinete.
- Desenchufe el humidificador.

Paso 2:

Para quitar las piezas

- Quite el conjunto de los ventiladores levantando la tapa pivotante para abrir la unidad. Agarre la parte delantera central y la parte trasera central del conjunto de los ventiladores. Levante dicho conjunto y póngalo a un lado en una superficie plana y limpia.
- Antes de quitar las piezas internas del gabinete del humidificador, recomendamos trasladar el humidificador a un área donde los revestimientos del piso no sean propensos a sufrir daños por causa del agua, como por ejemplo un área de cocina o de baño.
- Desvíe las dos lengüetas verticales ubicadas en la parte superior de la carcasa delantera del filtro para soltar la carcasa superior del filtro. Levante la carcasa superior del filtro directamente hacia arriba y hacia fuera del gabinete. Repita el procedimiento para la otra carcasa superior del filtro.
- Saque los filtros viejos y deséchelos apropiadamente.
- Saque el flotador del nivel de agua del gabinete del humidificador comprimiendo el retenedor del flotador para soltarlo del gabinete. El gabinete debe estar vacío antes de limpiarlo. El gabinete consiste en las áreas inferiores del humidificador donde están los filtros durante el tiempo de funcionamiento normal.
- Vacíe el gabinete hasta que no quede nada de agua.
- Vaya a "Mantenimiento cada dos semanas" o "Mantenimiento de final de temporada" y luego continúe tal como se describe a continuación.

Paso 3:

Instale los filtros nuevos (filtros de repuesto Kenmore 32-14912) en la ubicación donde estaban posicionados los filtros viejos. Reinstale el conjunto del flotador del nivel de agua en el gabinete.

NOTA: El retenedor del conjunto del brazo articulado debe estar posicionado en el modo de funcionamiento normal. Asegúrese de que esté posicionado en la parte inferior de la ranura ubicada en la parte trasera del gabinete (vea el diagrama de la ranura que aparece en la página 23).

Limpieza y mantenimiento (continuación)

Reposicione la carcasa superior de los filtros sobre la parte superior de los filtros y acóplela a presión sobre las carcasas delanteras de los filtros. Posicione el conjunto de los ventiladores sobre la parte superior del gabinete y devuelva el humidificador a la ubicación deseada para utilizarlo.

Rellene el gabinete del humidificador con agua limpia y fría. Enchufe la unidad en un tomacorriente de 120 V C.A. y ajuste los controles siguiendo las instrucciones de la sección "Utilización de los controles del humidificador" de este manual.

Mantenimiento cada dos semanas

Remoción de costra

1. Llene la base del humidificador con una taza de 240 ml (8 onzas) de vinagre blanco sin diluir. Deje que la solución permanezca en la base durante 20 minutos.
2. Limpie todas las superficies interiores con un cepillo blando. Humedezca un paño suave con vinagre blanco sin diluir y limpie la base con el paño para quitar la costra.
3. Enjuague a fondo con agua templada y limpia para quitar la costra y la solución limpiadora antes de desinfectar el gabinete.
4. Quite el polvo del conjunto de los ventiladores y las superficies exteriores con un paño suave solamente.

Desinfección del gabinete del humidificador

1. Llene el gabinete del humidificador con 1 cucharadita de blanqueador de cloro en 1 galón de agua. Deje que la solución permanezca en la base durante 20 minutos, agitándola cuidadosamente cada pocos minutos. Moje todas las superficies que normalmente estén expuestas a agua.
2. Vacíe el gabinete del humidificador después de 20 minutos. Enjuáguelo con agua hasta que el olor a blanqueador haya desaparecido. Deje que la unidad se seque completamente.

Mantenimiento de final de temporada

1. Siga las instrucciones de "Mantenimiento cada dos semanas" al final de la temporada de humidificación.
2. Saque y tire los filtros.
3. Deje que el humidificador se seque completamente antes de guardarlo. No almacene la unidad con agua dentro del gabinete.
4. Guarde el humidificador en un lugar fresco y seco.
5. Instale un filtro nuevo en el humidificador limpio antes de que comience la próxima temporada.
6. El procedimiento de "Mantenimiento cada dos semanas" también se recomienda si usted no piensa utilizar el humidificador durante una semana o más.

Resolución de problemas

Problema	Causa probable	Remedio
La unidad no funciona.	<ul style="list-style-type: none"> • Se ha establecido el nivel de humedad seleccionado. • No hay alimentación eléctrica. 	<ul style="list-style-type: none"> • Suba el ajuste del higróstato si lo desea. • Compruebe si la fuente de alimentación de 120 V suministra corriente.
La unidad no se apaga.	<ul style="list-style-type: none"> • El retenedor del flotador está ubicado en la posición de "Resecación manual". • El flotador no está libre. 	<ul style="list-style-type: none"> • Deslice el retenedor del conjunto del brazo articulado hasta la posición más baja en la ranura ubicada en la parte trasera del gabinete (consulte la página 23). • Libere el flotador de la obstrucción.
La unidad no se seca completamente.	<ul style="list-style-type: none"> • Una pequeña cantidad de agua permanece en el gabinete cuando el indicador del nivel de agua indica FILL (LLENAR). 	<ul style="list-style-type: none"> • Posicione el conjunto del flotador en la posición de "Resecación manual" (consulte la página 23).
La unidad no se vacía durante el uso.	<ul style="list-style-type: none"> • Filtros sucios. 	<ul style="list-style-type: none"> • Cambie los filtros usando filtros totalmente nuevos.
<p>Sale agua por la parte trasera de la unidad.</p> <p>El medidor del nivel de agua no funciona correctamente.</p>	<ul style="list-style-type: none"> • Se salpica agua durante el llenado. • Los filtros interfieren con el flotador. 	<ul style="list-style-type: none"> • Eche el agua de llenado de modo que se desvíe en el centro del protector contra salpicaduras. • No llene excesivamente la unidad, pasada la etiqueta de "Full" (Lleno) del gabinete. • Asegúrese de que los filtros estén posicionados correctamente en el fondo del gabinete (consulte la página 25).

PRECAUCIÓN: Utilice únicamente un bacteriostato registrado por EPA 32-14900, que se puede obtener en una tienda minorista Sears.

La utilización de otros productos de tratamiento de agua podría dañar los elementos del filtro.

En ninguna circunstancia debe usted usar productos de tratamiento de agua diseñados para humidificadores de rotocorrea o ultrasónicos.

No. de clave	No. de pieza	Descripción
18	STD601107	Tornillo de cabeza troncocónica tipo "AB" No. 10 x 3/4
19	828515	* Ruedecilla doble
20	32-14911	† Filtro evaporativo
21	828194	Carcasa superior del filtro
22	828195	Carcasa delantera del filtro
23	828534	Soporte del motor
24	828115	Motor (incluye herrajes de montaje)
25	822406-1	Ventilador
26	828998	Gabinete
27	823726	Riel protector
28	816069-5	* Tornillo de cabeza troncocónica tipo "AB" No. 6 x 1/2
29	STD600805	* Tornillo de cabeza troncocónica tipo "AB" No. 8 x 1/2
30	828907	Motor (incluye hilo de conexión)
—	SP6595	Manual del usuario (no ilustrado)

* Artículo de herrajes estándar. Se puede comprar localmente.

† Artículo de existencias. Se puede conseguir a través del departamento de ferretería de la mayoría de las tiendas minoristas Sears.

No. de clave	No. de pieza	Descripción
1	828743	Cubierta antipolvo
2	828756	Botón giratorio
3	828760	Etiqueta de los controles
4	828741	Tapa estacionaria
5	828855	Tapa pivotante
6	822409	Higrostat
7	823912	Interruptor giratorio
8	828754	Resorte de torsión
9	828898	Microinterruptor
10	828747	Rueda del indicador
11	828748	Retenedor del microinterruptor
12	828744	Carcasa de los componentes electrónicos
13	824120	Cable de alimentación con enchufe
14	828757	Retenedor del conjunto del brazo articulado
15	828746	Flotador del nivel de agua
16	828758	Brazo pivote del flotador
17	828759	Brazo de empuje

NOTA: Todo intento de reparar el conjunto de los controles o el motor puede crear un peligro, a menos que la reparación sea realizada por un técnico de servicio calificado. El servicio de reparaciones está disponible en la tienda Sears más cercana.

Get it fixed, at your home or ours!

Your Home

For repair — **in your home** — of all major brand appliances, lawn and garden equipment, or heating and cooling systems, **no matter who made it, no matter who sold it!**

For the replacement parts, accessories and owner's manuals that you need to do-it-yourself.

For Sears professional installation of home appliances and items like garage door openers and water heaters.

1-800-4-MY-HOME[®]
(1-800-469-4663)
www.sears.com

Anytime, day or night
(U.S.A. and Canada)
www.sears.ca

Our Home

For repair of carry-in products like vacuums, lawn equipment, and electronics, call or go on-line for the nearest **Sears Parts and Repair Center.**

1-800-488-1222 Anytime, day or night (U.S.A. only)
www.sears.com

To purchase a protection agreement (U.S.A.) or maintenance agreement (Canada) on a product serviced by Sears:

1-800-827-6655 (U.S.A.)

1-800-361-6665 (Canada)

Para pedir servicio de reparación a domicilio, y para ordenar piezas:

1-888-SU-HOGARSM
(1-888-784-6427)

Au Canada pour service en français:

1-800-LE-FOYER^{MC}
(1-800-533-6937)
www.sears.ca



© Sears, Roebuck and Co.

® Registered Trademark / ™ Trademark / ℠ Service Mark of Sears, Roebuck and Co.

® Marca Registrada / ™ Marca de Fábrica / ℠ Marca de Servicio de Sears, Roebuck and Co.

^{MC} Marque de commerce / ^{MD} Marque déposée de Sears, Roebuck and Co.