

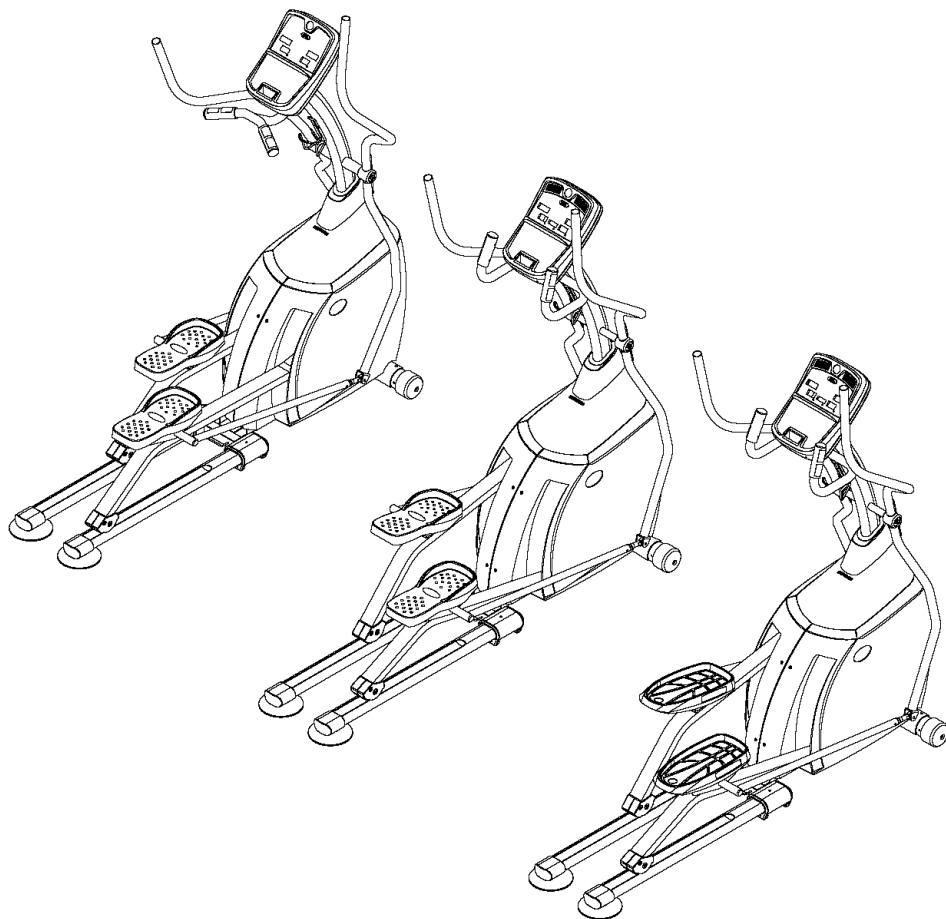
## CLUB SERIES

**FOR MODELS :**

**E500**

**E700**

**E800**



## ELLIPTICAL USER'S GUIDE

# INTRODUCTION

**CONGRATULATIONS** and **THANK YOU** for your purchase of this Horizon Club elliptical!

Whether your goal is to win races or simply enjoy a fuller, healthier lifestyle, a Horizon Club elliptical can help you attain it – adding club-quality performance to your at-home workouts, with the ergonomics and innovative features you need to get stronger and healthier, faster. Because we're committed to designing fitness equipment from the inside out, we use only the highest quality components. It's a commitment we back with one of the strongest frame-to-brake warranty packages in the industry.

You want exercise equipment that offers the most comfort, the best reliability and the highest quality in its class.

**The Horizon Club Ellipticals deliver.**

## TABLE OF CONTENTS

<i>Important Precautions</i>	4
<i>Assembly</i>	5
<i>Before You Begin</i>	17
<i>Elliptical Operation</i>	18
<i>Conditioning Guidelines</i>	35
<i>Troubleshooting &amp; Maintenance</i>	39
<i>Limited Warranty</i>	43
<b>CONTACT INFORMATION</b>	<b>Back Panel</b>

# IMPORTANT PRECAUTIONS

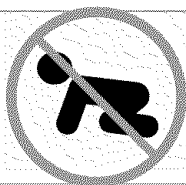
## SAVE THESE INSTRUCTIONS

Read all instructions before using this elliptical. When using an electrical product, basic precautions should always be followed, including the following: Read all instructions before using this elliptical. It is the responsibility of the owner to ensure that all users of this elliptical are adequately informed of all warnings and precautions. If you have any questions after reading this manual, contact Customer Tech Support at the number listed on the back panel of this manual.



**WARNING** To reduce the risk of burns, fire, electrical shock or injury to persons:

- If you experience any kind of pain, including, but not limited to chest pains, nausea, dizziness, or shortness of breath, stop exercising immediately and consult your physician before continuing.
- Maintain a comfortable pace. Do not sprint above 80 rpms on this machine.
- To maintain balance, it is recommended to keep a grip on the handlebars while exercising, mounting or dismounting the machine.
- Do not wear clothes that might catch on any part of the elliptical.
- Do not turn pedal arms by hand.
- Make sure handlebars are secure before each use.
- Do not insert or drop any object into any opening.
- Unplug elliptical before moving or cleaning it. To clean, wipe surfaces down with soap and slightly damp cloth only; never use solvents. (See MAINTENANCE page 38)
- This elliptical should not be used by persons weighing more than 275 pounds on the E500 and 300 pounds on the E700 and E800. Failure to comply will void the warranty.
- This elliptical is intended for in-home use only. Do not use this elliptical in any commercial, rental, school or institutional setting. Failure to comply will void the warranty.
- Do not use elliptical in any location that is not temperature controlled, such as but not limited to garages, porches, pool rooms, bathrooms, car ports or outdoors. Failure to comply may void the warranty.
- Use the elliptical only as described in this manual.
- Keep the topside of the foot support clean and dry
- Care should be taken when mounting or dismounting the equipment. First bring the elliptical to a full stop. Second, carefully rotate one footpad to its lowest position. Third, mount or dismount from this side of the elliptical.
- Disconnect all power before servicing the equipment.



At NO time should pets or children under the age of 12 be closer to the elliptical than 10 feet.  
At NO time should children under the age of 12 use the elliptical.  
Children over the age of 12 should not use the elliptical without adult supervision.

It is essential that your elliptical is used only indoors, in a climate controlled room. If your elliptical has been exposed to colder temperatures or high moisture climates, it is strongly recommended that the elliptical is warmed up to room temperature before first time use. Failure to do so may cause premature electronic failure.

# ASSEMBLY

## IMPORTANT: READ THESE SAFETY INSTRUCTIONS BEFORE USE!



There are several areas during the assembly process of a elliptical that special attention must be paid. It is very important to follow the assembly instructions correctly and to make sure all parts are firmly tightened. If the assembly instructions are not followed correctly, the elliptical could have frame parts that are not tightened and will seem loose and may cause irritating noises. To prevent damage to the elliptical, the assembly instructions must be reviewed and corrective actions should be taken.

## UNPACKING

Unpack the product where you will be using it. Place the product on a level flat surface. It is recommended that you place a protective covering on your floor. During each assembly step, ensure that ALL nuts and bolts are in place and partially threaded in before completely tightening any ONE bolt.

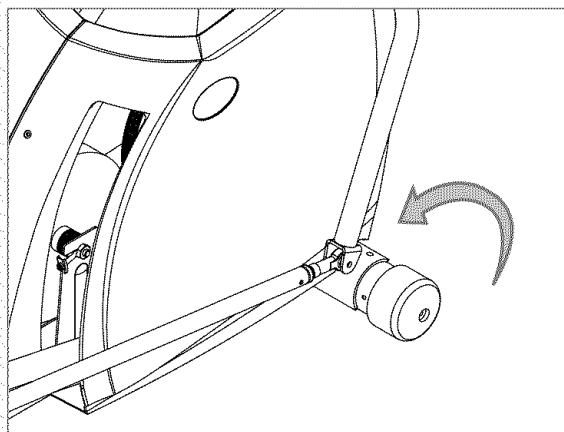
**NOTE:** A light application of grease may aid in the installation of hardware. Any grease, such as lithium bike grease is recommended.

Before proceeding, find your elliptical's serial number located on the front stabilizer tube and enter it in the space provided below. Also locate the model name which is located on the side cover badge.

### ENTER YOUR SERIAL NUMBER AND MODEL NAME IN THE BOXES BELOW:

SERIAL NUMBER:

MODEL NAME:



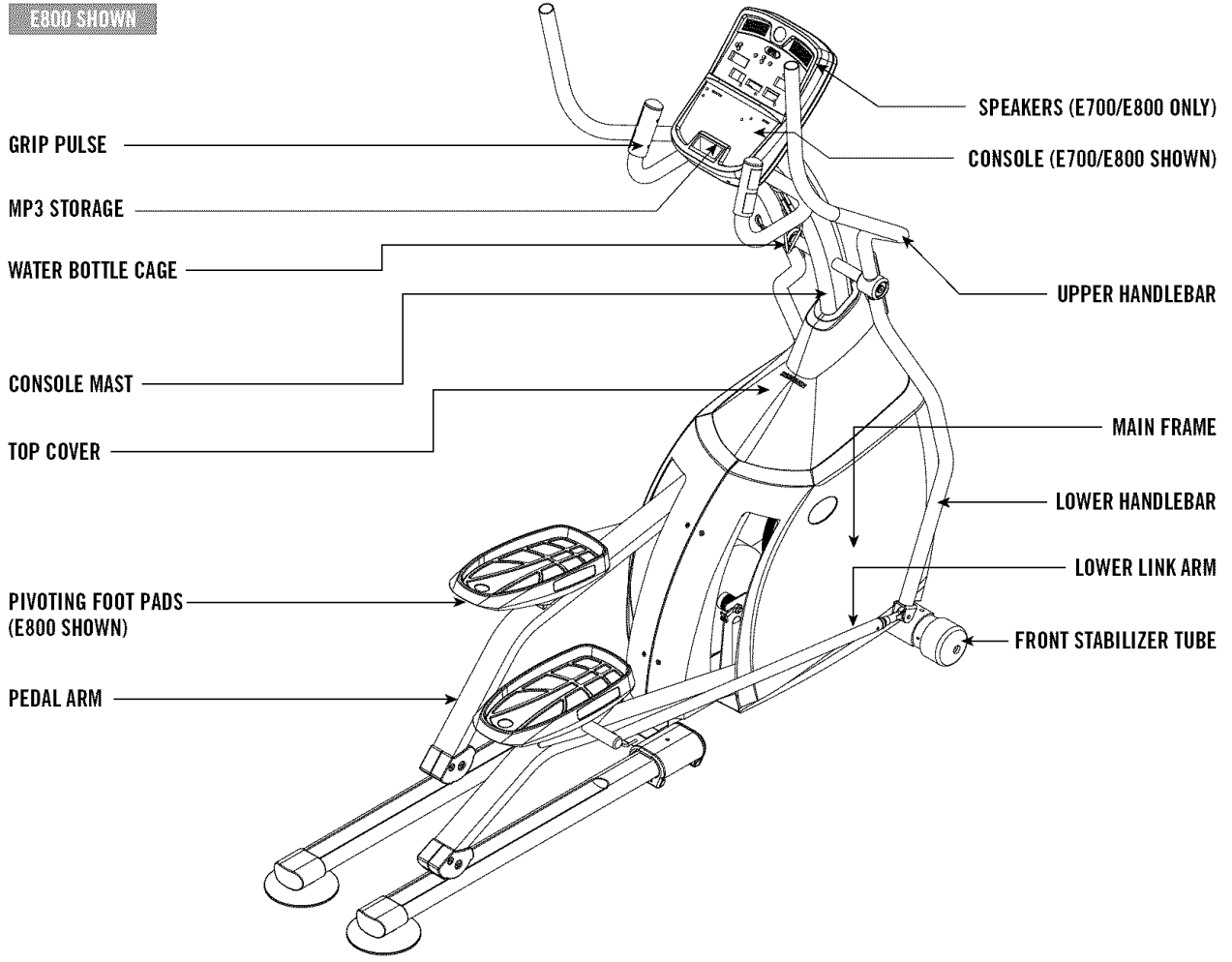
\* Refer to the SERIAL NUMBER and MODEL NAME when calling for service.

\* Also enter this serial number on your Warranty Card.

INTRODUCTION  
IMPORTANT PRECAUTIONS  
ASSEMBLY  
TROUBLESHOOTING & MAINTENANCE  
CONVOLUTIONS  
ELECTRIC  
YOU BUY



E800 SHOWN



**TOOLS INCLUDED**

- 5mm Allen Wrench
- Phillips Screw Driver
- 13/15mm Flat Wrench

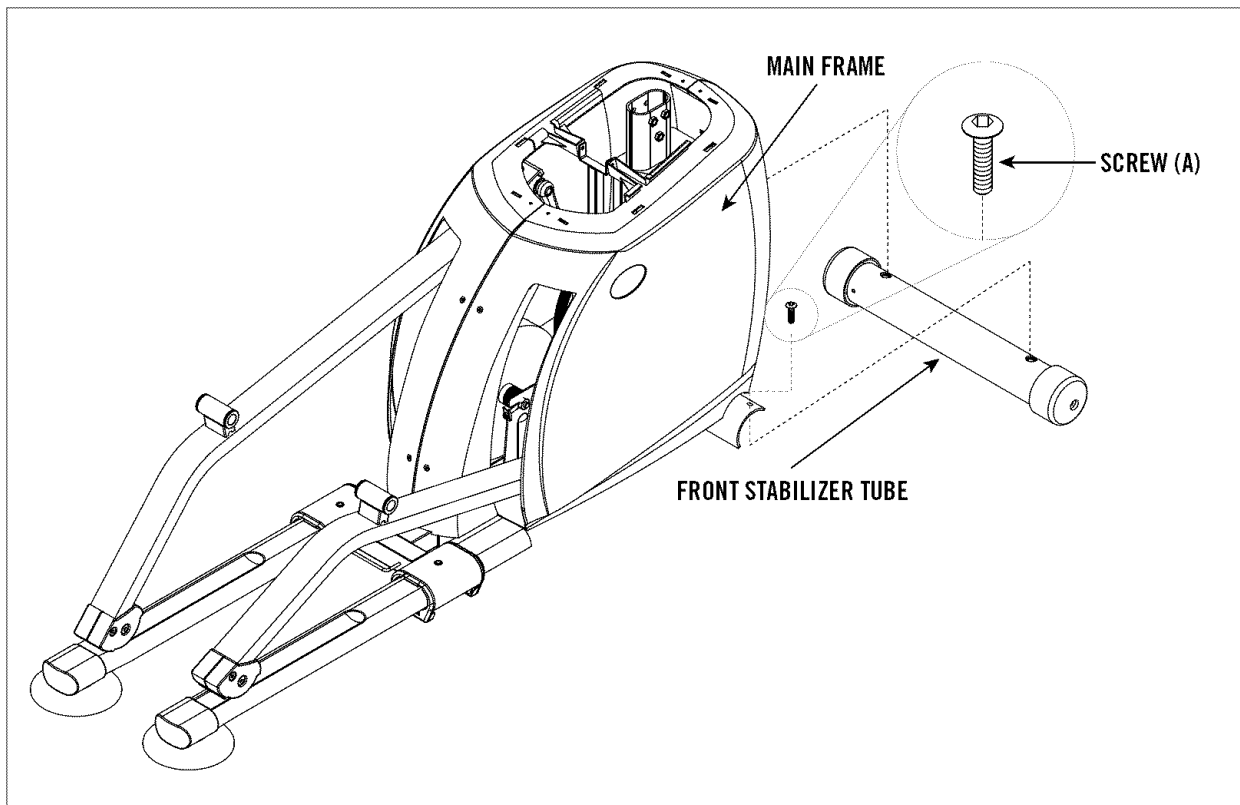
**PARTS INCLUDED**

- 1 Console
- 1 Console Mast
- 1 Front Stabilizer Tube
- 2 Upper Handlebars
- 2 Lower Handlebars
- 2 Lower Link Arms
- 2 Pivoting Foot Pads
- 1 Top Cover
- 1 Top Cover Grommet
- 6 Hardware Bags
- 1 Water Bottle Cage
- 1 HORIZON FITNESS 12-volt Power Supply
- 1 Audio Adaptor Cable (E700 & E800 only)

If you have questions or if there are any missing parts, contact Customer Tech Support. Contact information is located on the back panel of this manual.

For a complete exploded diagram, visit us at [www.horizonfitness.com](http://www.horizonfitness.com)

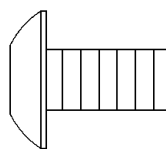
# ASSEMBLY STEP 1



A) Open **HARDWARE BAG FOR STEP 1**.

B) Attach the **FRONT STABILIZER TUBE** to the **MAIN FRAME** using 2 **BOLTS (A)**.

## HARDWARE BAG FOR STEP 1 CONTENTS :

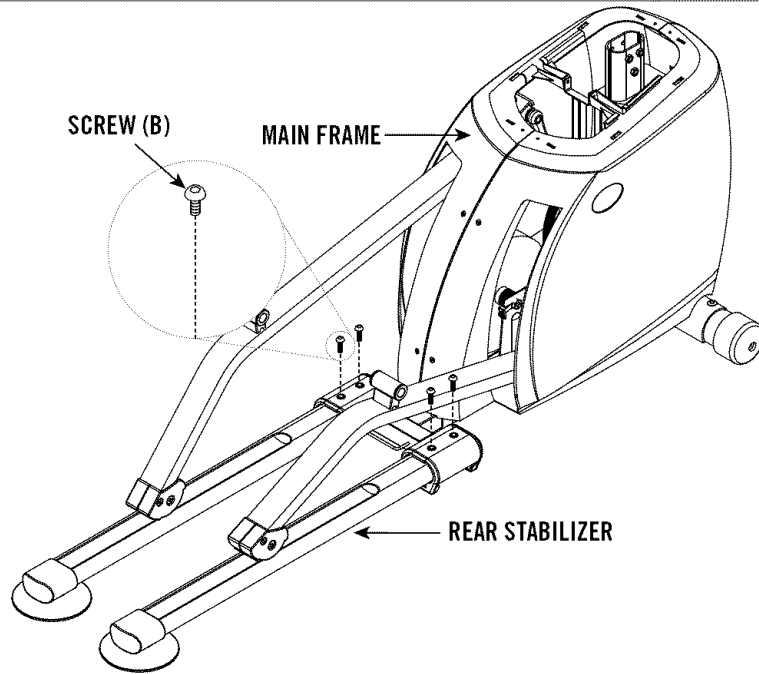


**SCREW (A)**  
20 mm  
Qty: 2

INTRODUCTION  
IMPORTANT PRECAUTIONS  
ASSEMBLY  
BEFORE YOU BEGIN  
EQUIPMENT OPERATION  
COMPLETING CONNECTIONS  
TROUBLESHOOTING & MAINTENANCE  
APPENDIX



## ASSEMBLY STEP 2

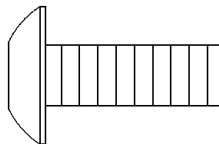


A) Open **HARDWARE BAG FOR STEP 2**.

B) Secure **REAR STABILIZER** to **MAIN FRAME** using 2 **SCREWS (B)**.

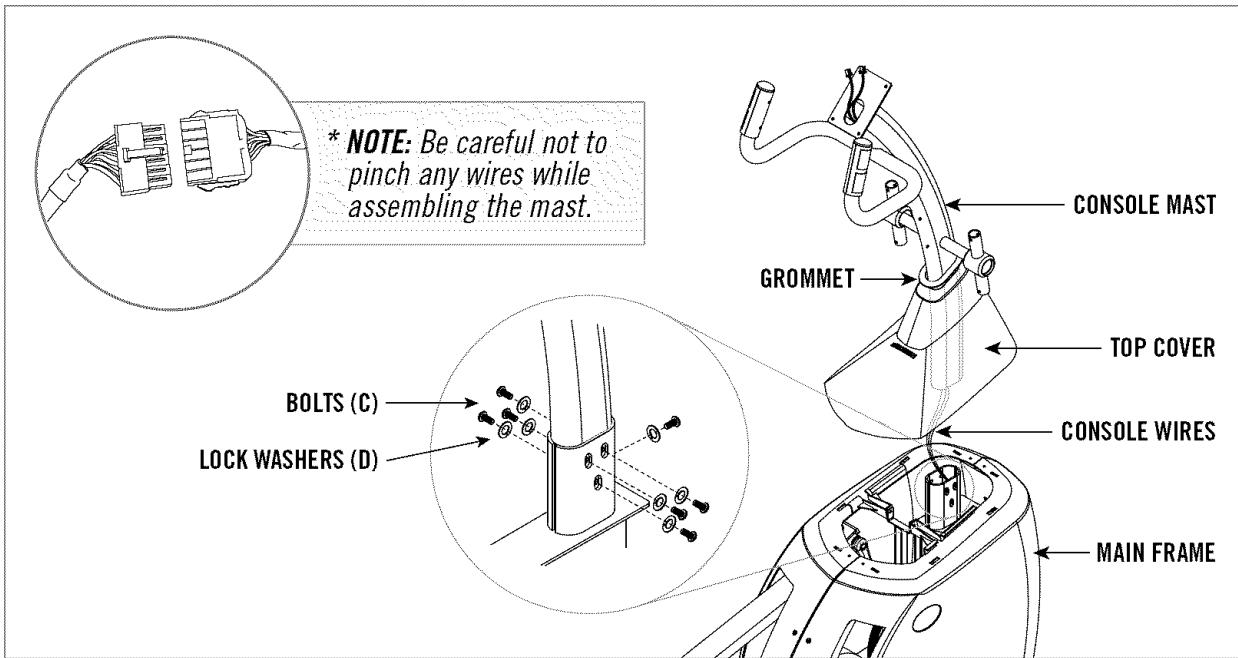
**NOTE:** Make sure holes are aligned before inserting **SCREWS**.

**HARDWARE BAG FOR STEP 2 CONTENTS:**



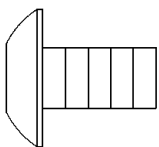
**SCREWS (B)**  
30 mm  
Qty: 4

## ASSEMBLY STEP 3

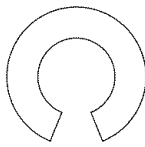


- A) Open **HARDWARE BAG FOR STEP 3**.
- B) Slide the **GROMMET** and **TOP COVER** over the **CONSOLE MAST**.
- C) Carefully pull the **CONSOLE WIRES** through the **CONSOLE MAST** using the twist tie located inside the **CONSOLE MAST**.
- D) Attach **CONSOLE MAST** to **MAIN FRAME** using 7 **BOLTS (C)** and 7 **LOCK WASHERS (D)**.
- E) Slide **GROMMET** and **TOP CAP** down to seal the **MAIN FRAME**.

### HARDWARE BAG FOR STEP 3 CONTENTS:

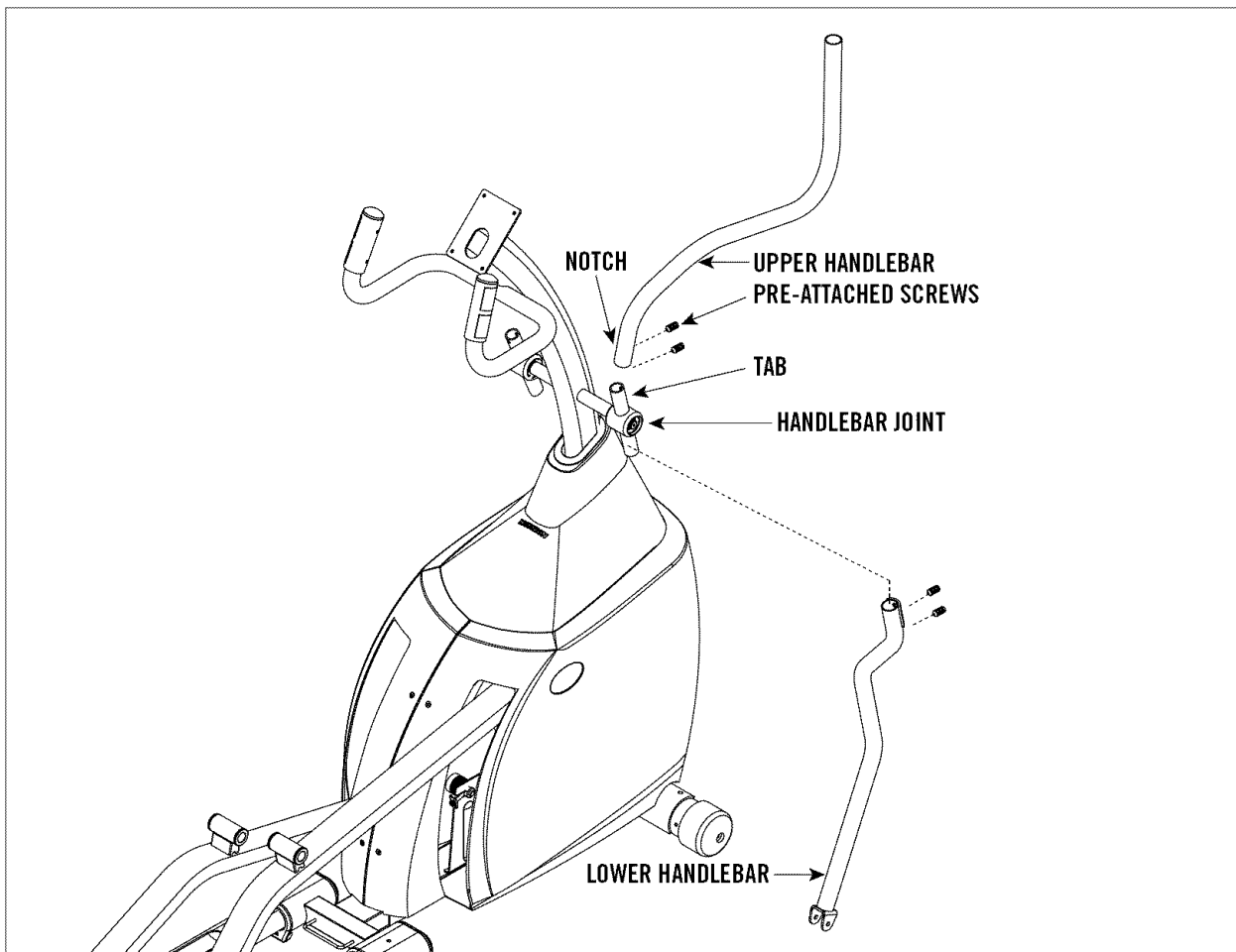


**BOLTS (C)**  
15 mm  
Qty: 7



**LOCK WASHER (D)**  
13.5 mm  
Qty: 7

## ASSEMBLY STEP 4



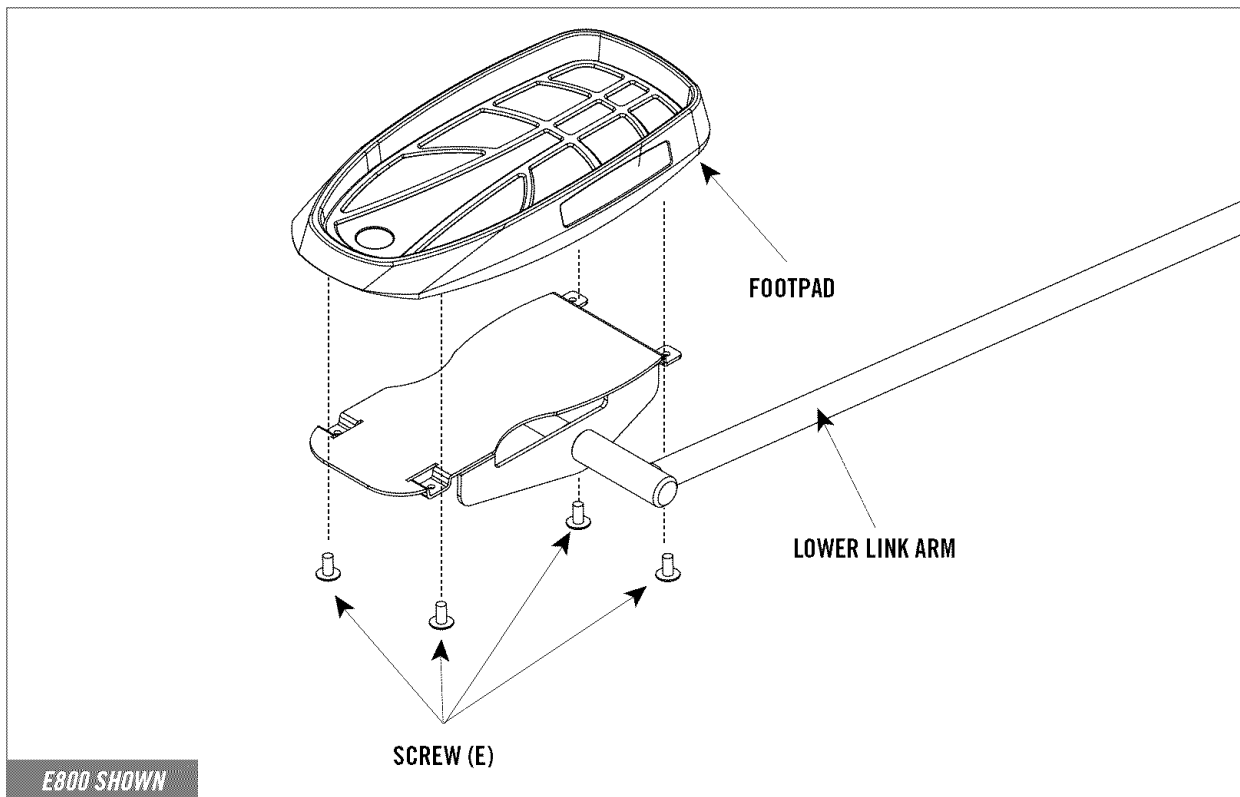
**NOTE:** There is **NO** hardware bag for this step.

- Slide **LOWER HANDLEBAR** onto **CONSOLE MAST** and align **NOTCH** with **TAB** making sure bars are joined together completely. Secure **LOWER HANDLEBAR** to **CONSOLE MAST** using **PRE-ATTACHED SET SCREWS**.
- Slide **UPPER HANDLEBAR** onto **CONSOLE MAST** and align **NOTCH** with **TAB** making sure bars are joined together completely. Secure **UPPER HANDLEBAR** to **CONSOLE MAST** using **PRE-ATTACHED SET SCREWS**.
- Repeat on other side.



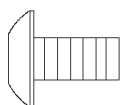
After handlebars are assembled they will rotate freely – be cautious. Until the machine is fully assembled, do not grab the handlebars for support.

## ASSEMBLY STEP 5



- A) Open **HARDWARE BAG FOR STEP 5**.
- B) Attach **FOOTPAD** to **LOWER LINK ARM** using 4 **SCREWS (E)**.
- C) Repeat on other side.

### HARDWARE BAG FOR STEP 5 CONTENTS :

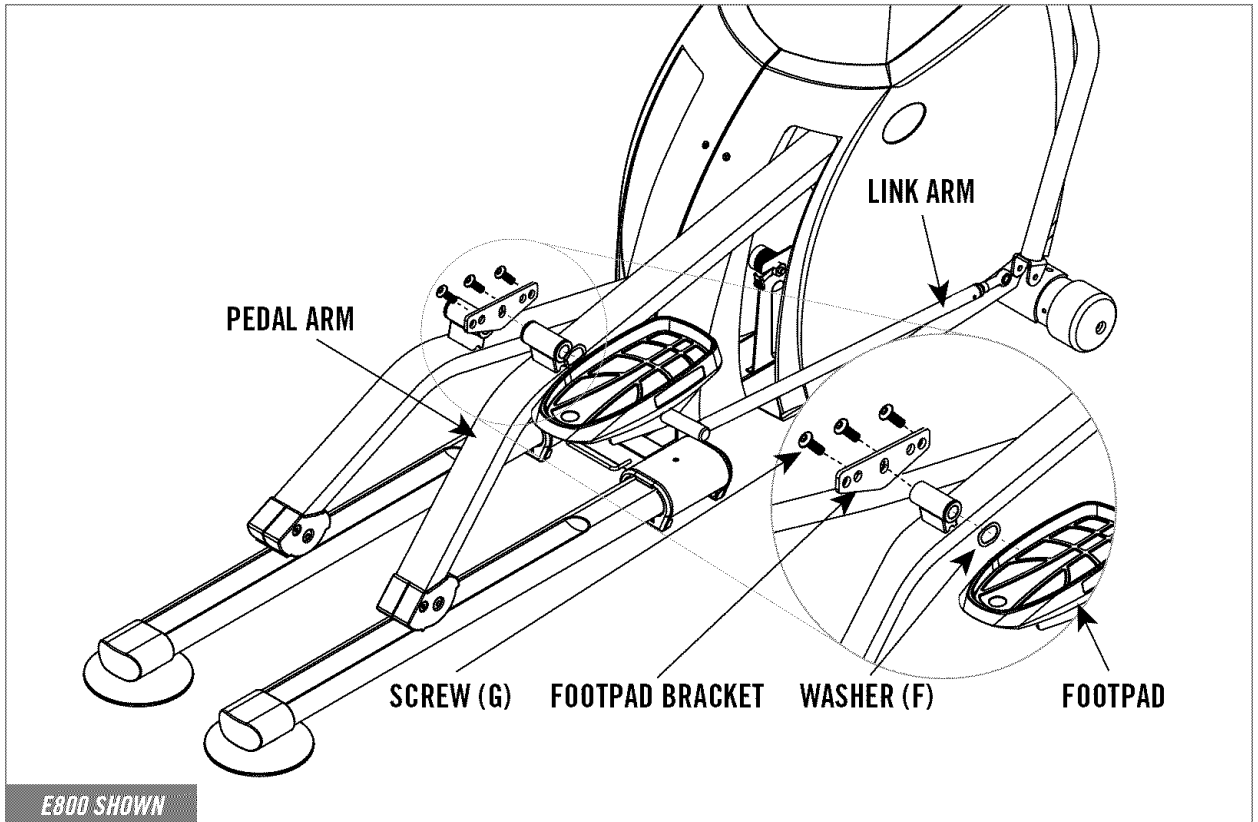


**SCREW (E)**  
15 mm  
Qty: 8

INTRODUCTION  
PREPARATION  
ASSEMBLY  
YOU BEGIN  
CONNECTION  
COMPLETION  
CONNECTION  
& MAINTENANCE  
TROUBLESHOOTING

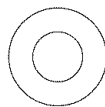


## ASSEMBLY STEP 6

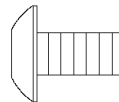


- A) Open **HARDWARE BAG FOR STEP 6**.
- B) Place **WASHER (F)** over the **LINK ARM** axle.
- C) Slide **LINK ARM** into **PEDAL ARM**.
- D) Attach **FOOTPAD BRACKET** to the **LINK ARM** with 3 **SCREWS (G)**.
- E) Repeat on other side.

### HARDWARE BAG FOR STEP 6 CONTENTS :

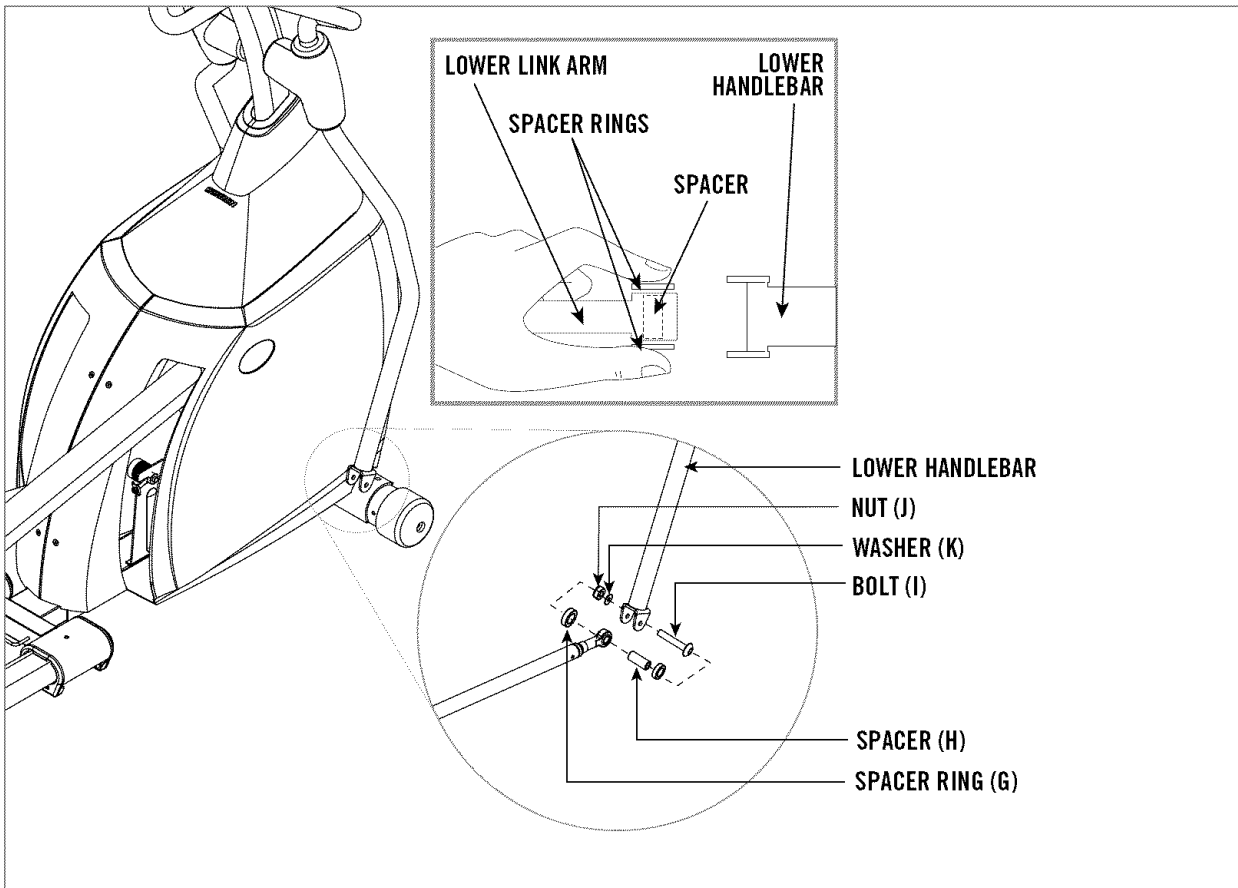


**WAVE WASHER (F)**  
20 mm  
Qty: 2

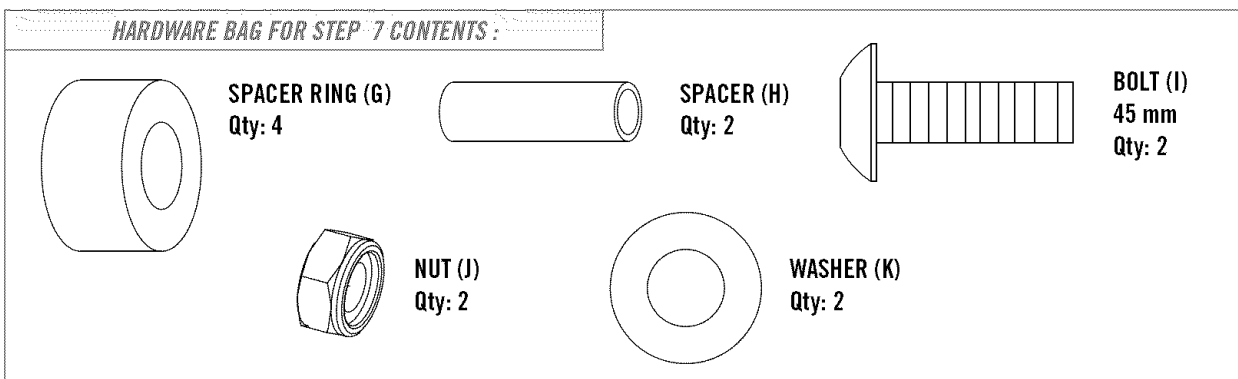


**SCREW (G)**  
15 mm  
Qty: 6

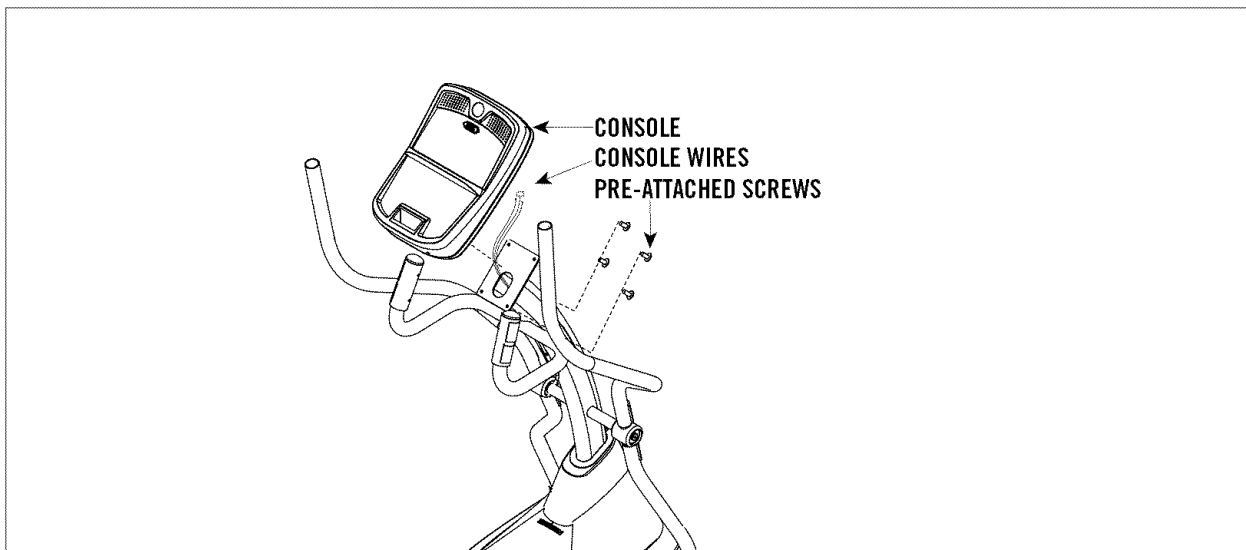
# ASSEMBLY STEP 7



- Open **HARDWARE BAG FOR STEP 7**.
- Insert **SPACER (H)** into the **LOWER HANDLEBAR**. Place **SPACER RINGS (G)** on both sides of **SPACER (H)**, slide **LOWER LINK ARM** into bottom end of **LOWER HANDLEBAR**.
- Insert **BOLT (I)** into **LOWER HANDLEBAR** and secure using **NUT (J)** and **WASHER (K)**.
- Repeat on other side.



## ASSEMBLY STEP 8

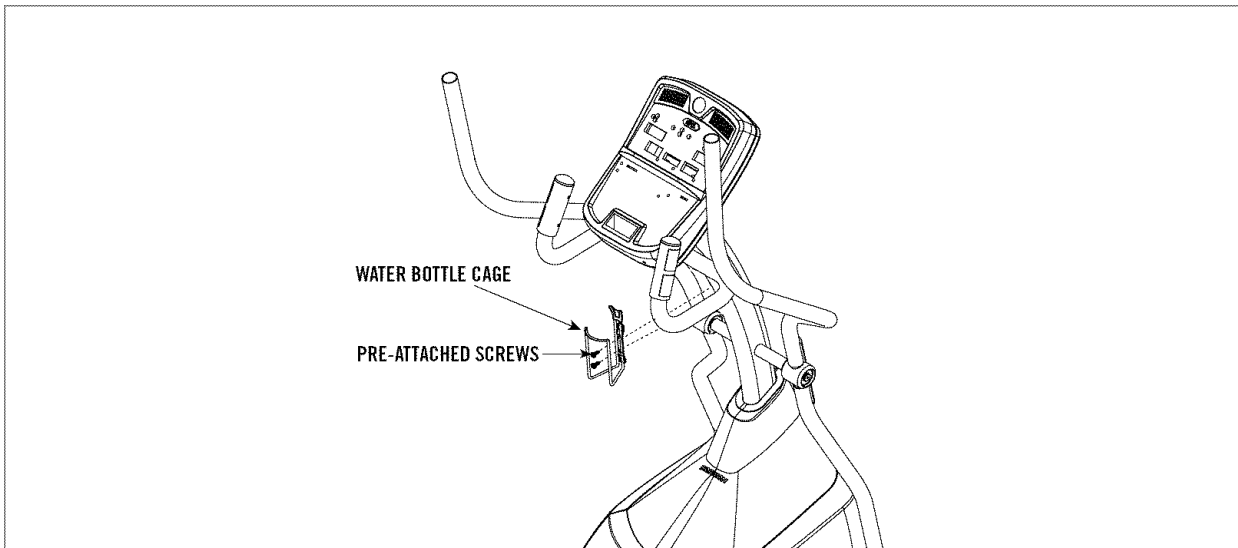


**NOTE:** There is **NO** hardware bag for this step.

- A) Attach **CONSOLE MAST WIRES** to the **CONSOLE WIRES**.
- B) Carefully tuck the **CONSOLE MAST WIRES** into the **CONSOLE MAST**.
- C) Attach **CONSOLE** onto **CONSOLE MAST** using the 4 **PRE-ATTACHED SCREWS**.

**NOTE:** *Be careful not to pinch any wires while assembling the console.*

## ASSEMBLY STEP 9

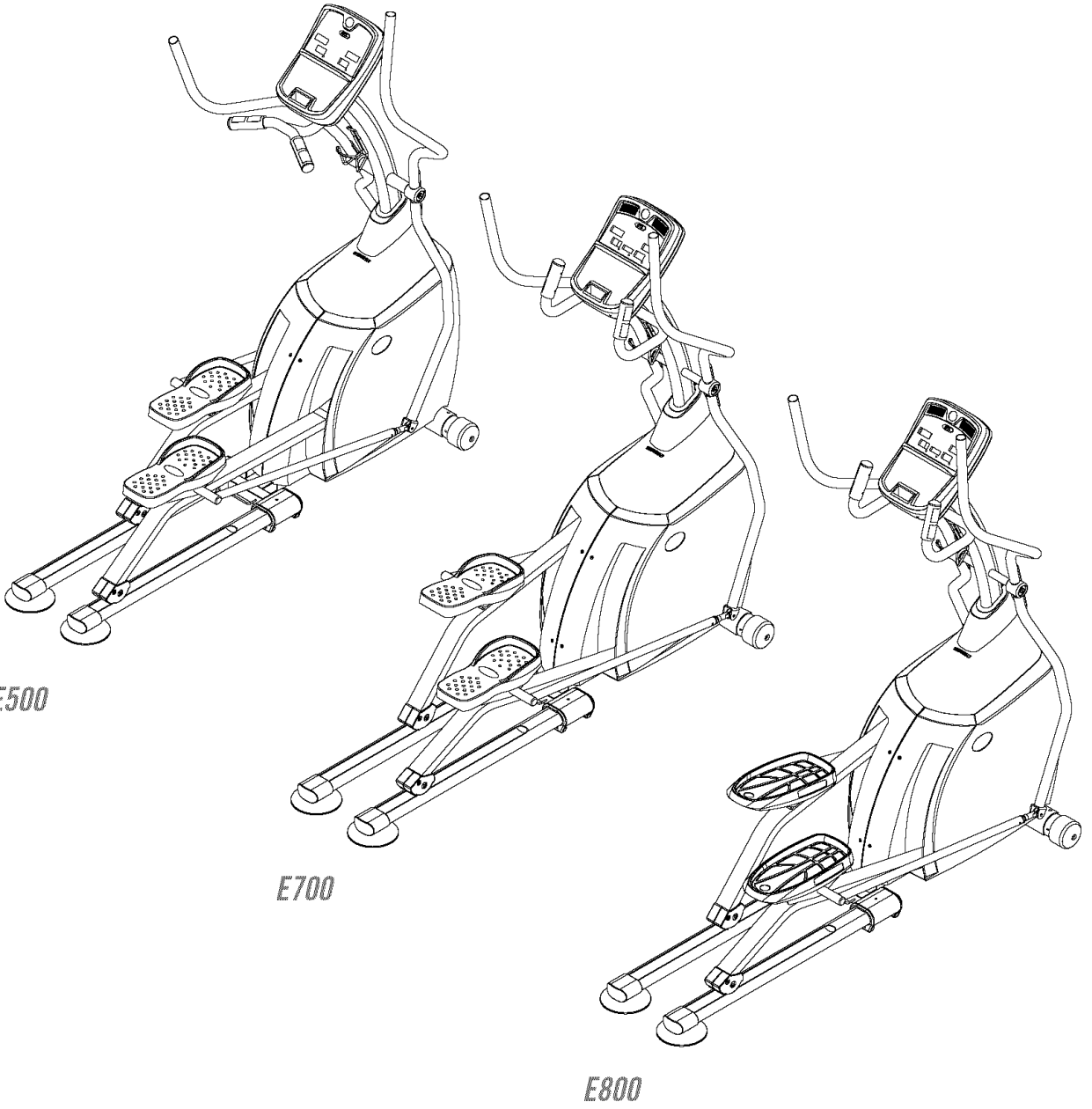


**NOTE:** There is NO hardware bag for this step.

A) Attach **WATER BOTTLE CAGE** onto **CONSOLE MAST** using **PRE-ATTACHED SCREWS**.

INTRODUCTION  
PREPARATION  
ASSEMBLY  
TROUBLESHOOTING & MAINTENANCE  
CONSOLE  
ELECTRIC  
YOU DO IT  
YOU DO IT





E500

E700

E800

YOU'RE FINISHED!

# BEFORE YOU BEGIN

**CONGRATULATIONS!** on choosing your elliptical. You've taken an important step in developing and sustaining an exercise program! Your elliptical is a tremendously effective tool for achieving your personal fitness goals. Regular use of your elliptical can improve the quality of your life in so many ways.

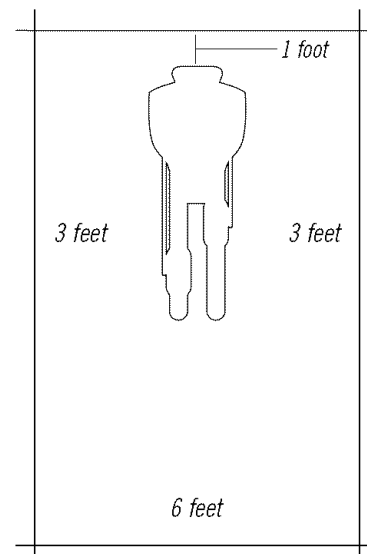
HERE ARE JUST A FEW OF THE HEALTH BENEFITS OF EXERCISE:

- Weight Loss
- A Healthier Heart
- Improved Muscle Tone
- Increased Daily Energy Levels

The key to reaping these benefits is to develop an exercise habit. Your new elliptical will help you eliminate obstacles that prevent you from exercising. Inclement weather and darkness won't interfere with your workout when you use your elliptical in the comfort of your home. This guide provides you with basic information for using and enjoying your new machine.

## LOCATION OF THE ELLIPTICAL

Place the elliptical on a level surface. There should be 6 feet of clearance behind the elliptical, 3 feet on each side and one foot in front for the power cord (See diagram to the right). Do not place the elliptical in any area that will block any vent or air openings. The elliptical should not be located in a garage, covered patio, near water or outdoors.



ASSEMBLY  
INSTRUCTIONS  
PRECISION  
FITNESS  
EQUIPMENT  
CORPORATION  
P.O. BOX 1000  
MILWAUKEE, WI 53211  
TEL: 414-221-1111  
WWW.PRECISIONFITNESS.COM

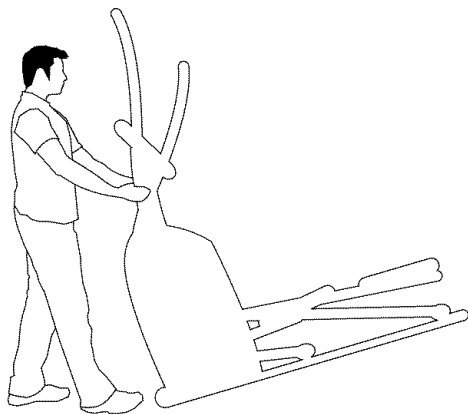
# ELLIPTICAL OPERATION

## POWER

Your programmable elliptical is powered by a power supply. The power must be plugged into the power jack, which is located in the front of the machine near the STABILIZER TUBE. Make sure the power switch on the console is in the ON position. Note: Not all units have an ON/OFF switch on the console.



**Do not operate the elliptical if the power cord or plug is damaged. If the elliptical appears to not be working properly, do not use the elliptical.**



## MOVING

Your elliptical has a pair of transport wheels built into the FRONT STABILIZER TUBE. To move, first remove the power supply and firmly grasp the CONSOLE MAST, carefully tilt and roll.



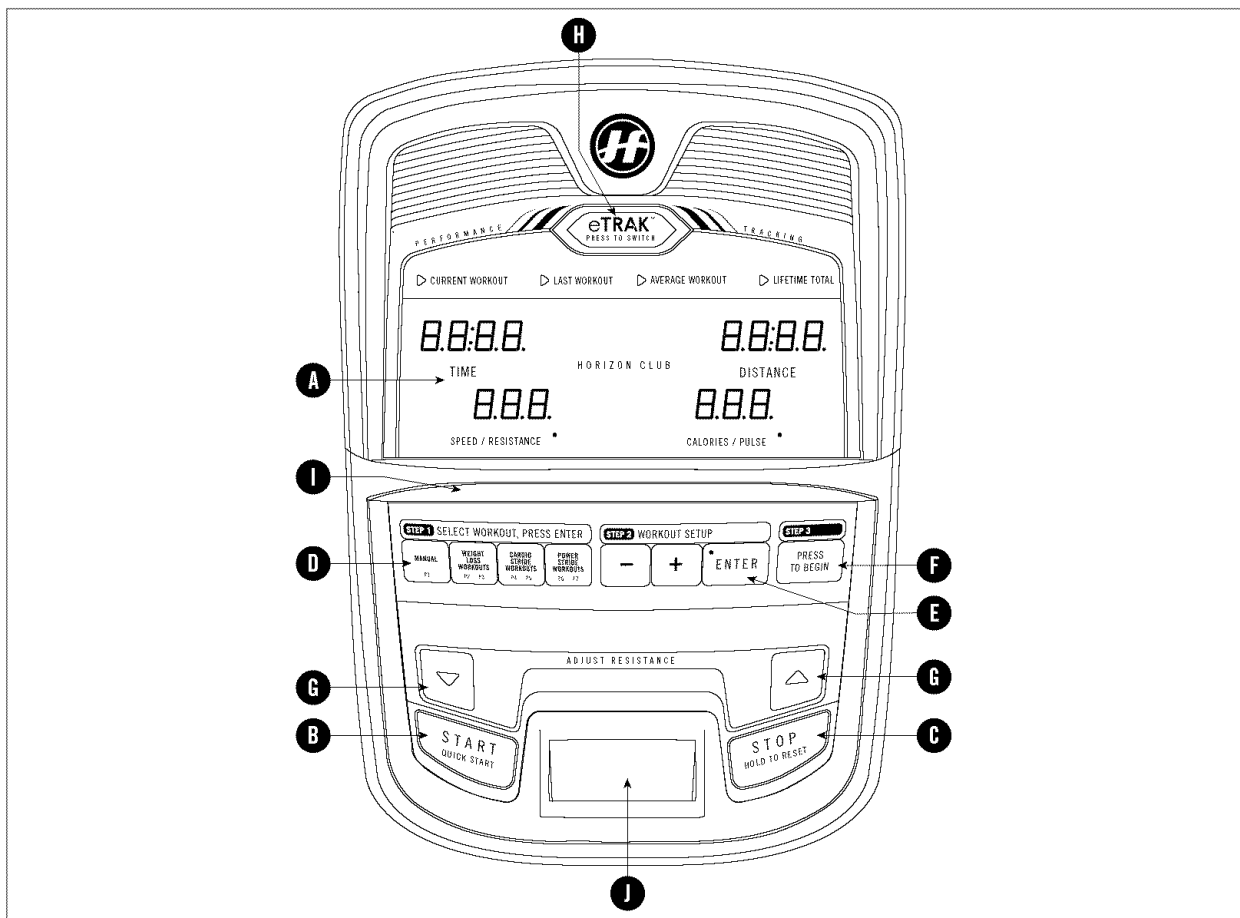
**Our ellipticals are well built and heavy, weighing up to 200 lbs! Use care and additional help if necessary when moving.**

## FOOT POSITIONING

Your elliptical offers a variety of foot positions. Moving your foot to the forward most position of the foot pad increases your step height, which will create a feel similar to a step machine. Placing your foot toward the back of the foot pad decreases your step height and creates more of a gliding feel, similar to a smooth walk or run.

Your elliptical also allows you to pedal both forward and backwards to offer a variation to your workout and to focus on other major leg muscle groups such as your hamstrings and calves.

## E500 CONSOLE DISPLAY



Note: There is a thin protective sheet of clear plastic on the overlay of the console and should be removed.

- A) **LED DISPLAY WINDOWS:** Displays: Time, Distance, Speed / Resistance and Calories / Pulse.
- B) **START:** Press to start your workout.
- C) **STOP/PAUSE:** Press to stop/pause/end your workout. Hold for 3 seconds to reset the elliptical.
- D) **WORKOUT QUICK KEYS:** Used to select your workout.
- E) **WORKOUT SETTING / ENTER KEYS:** Used to adjust workout settings and set your workout.
- F) **PRESS TO BEGIN KEY:** Used to start your program.
- G) **UP/DOWN ARROW KEYS:** Used to adjust resistance.
- H) **eTRAK™ PERFORMANCE TRACKING BUTTON:** Used to scroll through accumulated personal data.
- I) **READING RACK:** Holds reading material.
- J) **MP3 PLAYER POCKET:** Holds MP3 player.

## CONSOLE OPERATION

### QUICK START

Simply press the **START** key to begin working out.

### PROGRAM PROFILES

#### **P1: MANUAL**

Allows you to adjust the resistance level to your preference, without a preset program.

#### **P2 - P3: WEIGHT LOSS WORKOUTS**

Promotes weight loss by raising and lowering the resistance level, while keeping you in your fat burning zone.

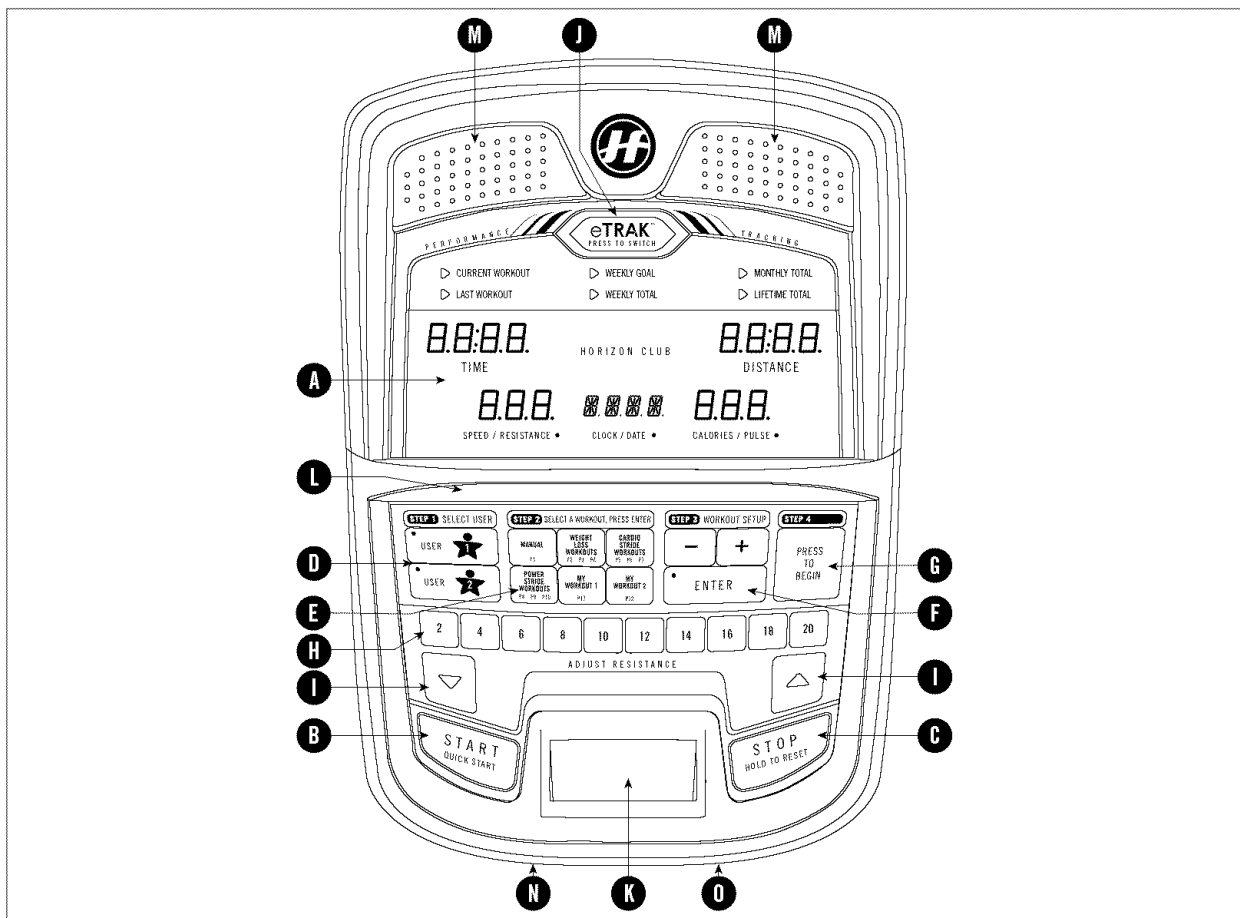
#### **P4 - P5: CARDIO STRIDE WORKOUTS**

Creates an intense cardio workout with challenging combinations of resistance.

#### **P6 - P7: POWER STRIDE WORKOUTS**

Enhances your strength, speed and endurance by increasing resistance at specific intervals.

## E700-E800 CONSOLE DISPLAY



Note: There is a thin protective sheet of clear plastic on the overlay of the console and should be removed.

- A) **LED DISPLAY WINDOWS:** Displays: Time, Distance, Speed / Resistance, Clock / Date and Calories / Pulse.
- B) **START:** Press to start your workout.
- C) **STOP/PAUSE:** Press to stop/pause/end your workout. Hold for 3 seconds to reset the elliptical.
- D) **USER 1 / USER 2:** Used to select which user's eTRAK™ data to activate, access and update.
- E) **WORKOUT QUICK KEYS:** Used to select your workout.
- F) **WORKOUT SETTING / ENTER KEYS:** Used to adjust program settings and set your program.
- G) **PRESS TO BEGIN KEY:** Used to start your workout.
- H) **RESISTANCE KEYS:** Used to reach desired resistance more quickly.
- I) **UP/DOWN ARROW KEYS:** Used to adjust resistance.
- J) **eTRAK™ PERFORMANCE TRACKING BUTTON:** Used to scroll through accumulated personal data.
- K) **MP3 PLAYER POCKET:** Holds MP3 player.
- L) **READING RACK:** Holds reading material.
- M) **AUDIO SPEAKERS:** Transmits sound from your CD / MP3 device.
- N) **AUDIO IN JACK:** Used to play sound from CD / MP3 device through speakers using the included audio adaptor cable.
- O) **AUDIO OUT / HEADPHONE JACK:** Used to run sound into your headphones.

## E500 CONSOLE OPERATION

### QUICK START

Simply press the **START** key to begin working out.

### PROGRAM PROFILES

#### **P1: MANUAL**

Allows you to adjust the resistance level to your preference, without a preset program.

#### **P2 - P3 WEIGHT LOSS WORKOUTS**

Promotes weight loss by raising and lowering the resistance level, while keeping you in your fat burning zone.

#### **P4 - P5: CARDIO STRIDE WORKOUTS**

Creates an intense cardio workout with challenging combinations of resistance.

#### **P6 - P7: POWER STRIDE WORKOUTS**

Enhances your strength, speed and endurance by increasing resistance at specific intervals.

### PROGRAM: MANUAL

Allows 'On The Fly' manual **RESISTANCE** changes. Time-based goal.

- 1) Select **MANUAL (P1)** using the **WORKOUT QUICK KEY** and press **ENTER**.
- 2) Set Time using the **+/- KEYS** and press **ENTER**.  
Next set **RESISTANCE** using the **+/- KEYS** and press **ENTER**.
- 3) Press the **PRESS TO BEGIN** key to start workout.



# E500 CONSOLE OPERATION

## PROGRAM: **CARDIO STRIDE WORKOUTS**

Motivates with different combinations of **RESISTANCE**. Time-based goal.

1) Select **CARDIO STRIDE WORKOUTS** using the **WORKOUT QUICK KEY**. Press **ENTER**.

**NOTE: CARDIO STRIDE WORKOUTS** button represents multiple programs: P4 and P5. Press **CARDIO STRIDE WORKOUTS** button once and P4 will display or press twice and P5 will display.

2) Set **TIME** using the **+ / - KEYS** and press **ENTER**

3) Press the **PRESS TO BEGIN** key to start workout.

### E500 P4

#### CARDIO STRIDE WORKOUT 1

	WARM-UP				PROGRAM SEGMENTS - REPEAT										COOL-DOWN			
SECONDS	60	60	60	60	60	60	60	60	60	60	60	60	60	60	60	60	60	60
SEGMENT	1	2	3	4	5	6	7	8	9	10	11	12	13	14	15	16	17	18
LEVEL	1	1	2	2	1	2	3	4	3	2	1	2	3	2	1	1	1	1

Warm up and cool-down last 4:00 minutes each

### E500 P5

#### CARDIO STRIDE WORKOUT 2

	WARM-UP				PROGRAM SEGMENTS - REPEAT										COOL-DOWN			
SECONDS	60	60	60	60	60	60	60	60	60	60	60	60	60	60	60	60	60	60
SEGMENT	1	2	3	4	5	6	7	8	9	10	11	12	13	14	15	16	17	18
LEVEL	2	2	3	3	3	4	5	6	7	8	7	6	5	4	2	1	1	1

Warm up and cool-down last 4:00 minutes each

## PROGRAM: POWER STRIDE WORKOUTS

Challenges with various combinations of RESISTANCE at specific INTERVALS. Time-based goal.

- 1) Select **POWER STRIDE WORKOUTS** using the **WORKOUT QUICK KEY**. Press **ENTER**.
- 2) Press **ENTER**. NOTE: **POWER STRIDE WORKOUTS** button represents multiple programs: P6 and P7. Press **POWER STRIDE WORKOUTS** button once and P8 will display or press twice and P9 will display.
- 3) Set **TIME** using the **+ / - KEYS** and press **ENTER**.
- 4) Press the **PRESS TO BEGIN** key to start workout.

### E500 P6

#### POWER STRIDE WORKOUT 1

	WARM-UP				PROGRAM SEGMENTS - REPEAT												COOL-DOWN			
SECONDS	60	60	60	60	30	60	60	30	30	60	30	60	60	30	30	60	60	60	60	
SEGMENT	1	2	3	4	5	6	7	8	9	10	11	12	13	14	15	16	17	18	19	20
LEVEL	1	1	2	2	6	3	3	6	6	3	6	3	3	6	6	3	2	2	1	1

Warm up and cool-down last 4:00 minutes each

### E500 P7

#### POWER STRIDE WORKOUT 2

	WARM-UP				PROGRAM SEGMENTS - REPEAT												COOL-DOWN			
SECONDS	60	60	60	60	30	60	60	30	30	60	30	60	60	30	30	60	60	60	60	
SEGMENT	1	2	3	4	5	6	7	8	9	10	11	12	13	14	15	16	17	18	19	20
LEVEL	1	2	2	3	7	4	4	7	7	4	7	4	4	7	7	4	3	2	2	1

Warm up and cool-down last 4:00 minutes each

## E700-E800 CONSOLE OPERATION

### QUICK START

Simply press the **START** key to begin working out.

### PROGRAM PROFILES

#### **P1: MANUAL**

Allows you to adjust the resistance level to your preference, without a preset program.

#### **P2 - P4 WEIGHT LOSS WORKOUTS**

Promotes weight loss by raising and lowering the resistance level, while keeping you in your fat burning zone.

#### **P5 - P7: CARDIO STRIDE WORKOUTS**

Creates an intense cardio workout with challenging combinations of resistance.

#### **P8 - P10: POWER STRIDE WORKOUTS**

Enhances your strength, speed and endurance by increasing resistance at specific intervals.

#### **P11 - P12: MY WORKOUT 1 & 2**

Design your own custom exercise program.

### PROGRAM: MANUAL

Allows 'On The Fly' manual **RESISTANCE** changes. Time-based goal.

- 1) Select **USER 1** or **USER 2**. (NOTE: This step is optional, if you do not want to select a user skip to step 2.)
- 2) Select **MANUAL (P1)** using the **WORKOUT QUICK KEY** and press **ENTER**.
- 3) Set Time using the **+/- KEYS** and press **ENTER**.  
Next set **RESISTANCE** using the **+/- KEYS** and press **ENTER**.
- 4) Press the **PRESS TO BEGIN** key to start workout.

## PROGRAM: WEIGHT LOSS WORKOUTS

Challenges with various combinations of resistance to keep you in the fat burning zone.

- 1) Select **USER 1** or **USER 2**. (NOTE: This step is optional, if you do not want to select a user skip to step 2.)
- 2) Select **WEIGHT LOSS WORKOUTS** using the **WORKOUT QUICK KEY**. Press **ENTER**.  
NOTE: **WEIGHT LOSS WORKOUTS** button represents multiple programs: P2, P3 and P4. Press **WEIGHT LOSS WORKOUTS** button once and P2 will display, press twice for P3 and press 3 times for P4.
- 3) Set **TIME** using the **+ / - KEYS** and press **ENTER**.
- 4) Press the **PRESS TO BEGIN** key to start workout.

### E700-E800 P2

#### WEIGHT LOSS WORKOUT 1

	WARM-UP				PROGRAM SEGMENTS - REPEAT												COOL-DOWN			
SECONDS	60	60	60	60	60	60	60	60	60	60	60	60	60	60	60	60	60	60	60	
SEGMENT	1	2	3	4	5	6	7	8	9	10	11	12	13	14	15	16	17	18	19	20
LEVEL	1	2	2	3	4	4	5	5	6	6	6	6	5	5	4	4	3	2	2	1

Warm up and cool-down last 4:00 minutes each

### E700-E800 P3

#### WEIGHT LOSS WORKOUT 2

	WARM-UP				PROGRAM SEGMENTS - REPEAT												COOL-DOWN			
SECONDS	60	60	60	60	60	60	60	60	60	60	60	60	60	60	60	60	60	60	60	
SEGMENT	1	2	3	4	5	6	7	8	9	10	11	12	13	14	15	16	17	18	19	20
LEVEL	1	2	2	5	6	6	7	7	8	8	8	8	7	7	6	6	5	2	2	1

Warm up and cool-down last 4:00 minutes each

### E700-E800 P4

#### WEIGHT LOSS WORKOUT 3

	WARM-UP				PROGRAM SEGMENTS - REPEAT												COOL-DOWN			
SECONDS	60	60	60	60	60	60	60	60	60	60	60	60	60	60	60	60	60	60	60	
SEGMENT	1	2	3	4	5	6	7	8	9	10	11	12	13	14	15	16	17	18	19	20
LEVEL	2	3	5	7	8	8	9	9	10	10	10	10	9	9	8	8	7	5	3	2

Warm up and cool-down last 4:00 minutes each

# E700-E800 CONSOLE OPERATION

## PROGRAM: **CARDIO STRIDE WORKOUTS**

Motivates with different combinations of **RESISTANCE**. Time-based goal.

- 1) Select **USER 1** or **USER 2**. (NOTE: This step is optional, if you do not want to select a user skip to step 2.)
- 2) Select **CARDIO STRIDE WORKOUTS** using the **WORKOUT QUICK KEY**. Press **ENTER**.

NOTE: **CARDIO STRIDE WORKOUTS** button represents multiple programs: P5, P6 and P7. Press **CARDIO STRIDE WORKOUTS** button once and P5 will display, press twice for P6 and press 3 times for P7.

- 3) Set **TIME** using the **+ / - KEYS** and press **ENTER**
- 4) Press the **PRESS TO BEGIN** key to start workout.

### E700-E800 P5

#### CARDIO STRIDE WORKOUT 1

	WARM-UP				PROGRAM SEGMENTS - REPEAT										COOL-DOWN			
SECONDS	60	60	60	60	60	60	60	60	60	60	60	60	60	60	60	60	60	60
SEGMENT	1	2	3	4	5	6	7	8	9	10	11	12	13	14	15	16	17	18
LEVEL	1	1	2	2	1	2	3	4	3	2	1	2	3	2	1	1	1	1

Warm up and cool-down last 4:00 minutes each

### E700-E800 P6

#### CARDIO STRIDE WORKOUT 2

	WARM-UP				PROGRAM SEGMENTS - REPEAT										COOL-DOWN			
SECONDS	60	60	60	60	60	60	60	60	60	60	60	60	60	60	60	60	60	60
SEGMENT	1	2	3	4	5	6	7	8	9	10	11	12	13	14	15	16	17	18
LEVEL	2	2	3	3	3	4	5	6	7	8	7	6	5	4	2	1	1	1

Warm up and cool-down last 4:00 minutes each

### E700-E800 P7

#### CARDIO STRIDE WORKOUT 3

	WARM-UP				PROGRAM SEGMENTS - REPEAT										COOL-DOWN			
SECONDS	60	60	60	60	60	60	60	60	60	60	60	60	60	60	60	60	60	60
SEGMENT	1	2	3	4	5	6	7	8	9	10	11	12	13	14	15	16	17	18
LEVEL	3	4	4	4	5	6	7	8	9	10	9	8	7	6	3	3	2	1

Warm up and cool-down last 4:00 minutes each

## PROGRAM: POWER STRIDE WORKOUTS

Challenges with various combinations of RESISTANCE at specific INTERVALS. Time-based goal.

- 1) Select **USER 1** or **USER 2**. (NOTE: This step is optional, if you do not want to select a user skip to step 2.)
- 2) Select **POWER STRIDE WORKOUTS** using the **WORKOUT QUICK KEY**. Press **ENTER**.
- 2) Press **ENTER**. NOTE: **POWER STRIDE WORKOUTS** button represents multiple programs: P8, P9 and P10. Press **POWER STRIDE WORKOUTS** button once and P8 will display, press twice for P9 and press 3 times for P10.
- 3) Set **TIME** using the **+ / - KEYS** and press **ENTER**.
- 4) Press the **PRESS TO BEGIN** key to start workout.

### E700-E800 P8

#### POWER STRIDE WORKOUT 1

	WARM-UP				PROGRAM SEGMENTS - REPEAT												COOL-DOWN			
SECONDS	60	60	60	60	30	60	60	30	30	60	30	60	60	30	30	60	60	60	60	60
SEGMENT	1	2	3	4	5	6	7	8	9	10	11	12	13	14	15	16	17	18	19	20
LEVEL	1	2	2	4	7	3	3	7	7	3	7	3	3	7	7	3	4	2	2	1

Warm up and cool-down last 4:00 minutes each

### E700-E800 P9

#### POWER STRIDE WORKOUT 2

	WARM-UP				PROGRAM SEGMENTS - REPEAT												COOL-DOWN			
SECONDS	60	60	60	60	30	60	60	30	30	60	30	60	60	30	30	60	60	60	60	60
SEGMENT	1	2	3	4	5	6	7	8	9	10	11	12	13	14	15	16	17	18	19	20
LEVEL	2	3	5	6	9	5	5	9	9	5	9	5	5	9	9	5	6	5	3	2

Warm up and cool-down last 4:00 minutes each

### E700-E800 P10

#### POWER STRIDE WORKOUT 3

	WARM-UP				PROGRAM SEGMENTS - REPEAT												COOL-DOWN			
SECONDS	60	60	60	60	30	60	60	30	30	60	30	60	60	30	30	60	60	60	60	60
SEGMENT	1	2	3	4	5	6	7	8	9	10	11	12	13	14	15	16	17	18	19	20
LEVEL	2	3	5	8	11	7	7	11	11	7	11	7	7	11	11	7	8	5	3	2

Warm up and cool-down last 4:00 minutes each

## PROGRAM: MY WORKOUT 1 & 2 P11 - P12

- 1) Select **USER 1** or **USER 2**. (NOTE: This step is optional, if you do not want to select a user skip to step 2.)
- 2) Select **MY WORKOUT** using the **PROGRAM QUICK KEY** and press **ENTER**.
- 3) Set **TIME** using the **+/- KEYS** and press **ENTER**. Set the **RESISTANCE PROFILES** using the **+/- KEYS** and press **ENTER** after each **RESISTANCE PROFILE** is set to the desired level (repeat until all 15 segments are chosen).
- 4) Press the **PRESS TO BEGIN** key to start workout.

\*NOTE: To reset the memory press and hold the **ENTER** button for 5 seconds.

## PROGRAM INFORMATION

### USING eTRAK™ PERFORMANCE TRACKER

#### INTRODUCTION

Research shows that those who journal their fitness routines or workouts, on average, achieve greater success than those who do not. Because your new elliptical is equipped with Horizon's exclusive eTRAK™ Performance Tracker, you've taken an important step towards achieving your fitness goals. Congratulations!

eTRAK™ is an innovative new software, integrated into your elliptical console, that will allow you to track your fitness progress over time, without the need for paper journals or logs. eTRAK™ allows you to easily compare your current workout to your last, average or lifetime workout totals. With quick access to feedback like time of workout or calories burned during previous workouts, you'll be able to quickly and easily see the progress you've made. Read further to learn about how eTRAK™ can help motivate you to enhance your performance.

#### E500: eTRAK™ OPERATION

**SET UP:** To activate eTRAK™ for the first time, simply press and hold the eTRAK™ button for 5 seconds. From this point on, your information will be automatically saved. Note: There is no need to perform this step again unless resuming operation after being deactivated.

**DEACTIVATE:** To temporarily stop eTRAK™ from accumulating data, press and hold the eTRAK™ button for 5 seconds. To resume, repeat SET UP instructions.

**RESET:** To reset accumulated data, press and hold the eTRAK™ button for 10 seconds. Note: This step is permanent and will delete ALL previously accumulated data.

**ACCUMULATED DATA:** Once eTRAK™ is activated, you can scroll through your accumulated data in multiple formats by pressing the eTRAK™ button. A workout is saved when: the program ends, the console is paused and not resumed within 10 minutes, or the Stop button is held to reset the console.

- 1) **CURRENT WORKOUT:** The console automatically defaults to Current Workout, displaying your progress in real time.
- 2) **LAST WORKOUT:** This option allows you to view your accumulated data from your last workout. The Current Workout becomes the Last Workout once a program has ended or the console has been reset. The following information will be shown in each display window:
  - SPEED - Average speed and average resistance.
  - TIME - Total time of last workout.
  - DISTANCE - Total distance of last workout.
  - CALORIES - Total calories burned during last workout.Note: Average speed and average resistance level will display alternately every three seconds.

3) **AVERAGE WORKOUT:** This option allows you to see your average accumulated data for the last 30 workouts. The following information will be shown in each display window:

*SPEED* - Average speed and average resistance.

*TIME* - Average workout time.

*DISTANCE* - Average workout distance.

*CALORIES* - Average calories burned.

*Note: Average speed and average resistance level will display alternately every three seconds.*

4) **LIFETIME TOTAL:** This option allows you to view the total accumulated data from your first workout to your last saved workout. The following information will be shown in each display window:

*SPEED* - Average speed and average resistance.

*TIME* - Total accumulated time. *Note: If time is greater than 59:59, the time will no longer display minutes and will display hours only.*

*DISTANCE* - Total accumulated distance.

*CALORIES* - Average calories burned.

*Note: Average speed and average resistance level will display alternately every three seconds.*



## E700-E800: DATE & CLOCK SETUP

- 1) Enter Setup Mode: Press and hold **MANUAL** and **WEIGHT LOSS WORKOUTS** program buttons for 3 seconds.
- 2) Once in setup mode, use the **PROGRAM SETUP +/- KEYS** to scroll through settings.
- 3) Use the **ENTER** button to confirm settings.
- 4) Settings include: **MONTH, DAY, YEAR, HOUR, MINUTE, and AM/PM.**
- 5) Review Settings: You can review your settings at any time while in Setup Mode. Use the **ENTER** button to scroll through settings.
- 6) Exit Setup Mode: To confirm the Date and Time, press and hold **ENTER** for 5 seconds.
- 7) To Reset: Simply reenter Setup Mode and adjust Date and Time to the correct setting.

## E700-E800: eTRAK™ OPERATION

**SETUP:** To activate eTRAK™ a user **MUST** be chosen before the program begins. To select a user, simply press the User 1 or User 2 button. To deselect a user, press User button again. All accumulated data specifically relates to the user that is chosen.

*Note:* If no user is selected and clock and date are not set, no data will be tracked. To set clock and date see above.

**RESET:** Reset all recorded information for User 1 or User 2 by selecting the user and then holding down the user button for 10 seconds. *Note:* This step is permanent and will delete **ALL** previously accumulated data for the chosen user.

**ACCUMULATED DATA:** Once a **USER** is chosen, eTRAK™ is activated and you can scroll through your accumulated data in multiple formats by pressing the eTRAK™ button. A workout is saved when: the program ends, the console is paused and not resumed within 5 minutes, or the Stop button is held to reset the console.

- 1) **CURRENT WORKOUT:** The console automatically defaults to Current Workout, displaying your progress in real time.
- 2) **LAST WORKOUT:** This option allows you to view your accumulated data from your last workout. The Current Workout becomes the Last Workout once a program has ended or the console has been reset. The following information will be shown in each display window:
  - SPEED - Average speed and average resistance.
  - TIME - Total time of last workout.
  - DISTANCE - Total distance of last workout.
  - CALORIES - Total calories burned during last workout.*Note:* Average speed and average resistance level will display alternately every three seconds.

3) **WEEKLY GOAL:** This option allows you to set and view your weekly time or distance goal based on a calendar week and will run concurrently with the WEEKLY TOTAL function. The following information will be shown in each display window:

**CLOCK/DATE**

“GOAL” - Indicates the weekly goal you set.

“LEFT” - Indicates the time or distance you have left to complete to meet your weekly goal.

“GOAL DONE” - Indicates the goal has been completed.

**TIME or DISTANCE** – The total time or distance goal you selected and the time or distance you have left to complete to meet your weekly goal.

Note:

1. The “GOAL” and “LEFT” will display alternately every 3 seconds.
2. If the date and clock are not set and/or a weekly goal is not set, WEEKLY GOAL will display zeros.
3. The Weekly Goal will reset at the end of each week and will have to be set again using the Weekly Goal Setup instructions.

4) **WEEKLY TOTAL:** View your accumulated data from the last Sunday to the present day. Note: This data is based on week to date NOT the previous seven days. For instance, if you have not used the machine since Sunday, the console will read zeros. The following information will be shown in each display window:

SPEED - Average speed and average resistance of weekly workouts.

TIME - Total time of weekly workout.

DISTANCE - Total distance of weekly workouts.

CALORIES - Average weekly calories burned.

Note: Average speed and average resistance level will display alternately every three seconds.

If the Date and Clock are not set, Weekly Total will default to the Last Workout data.

5) **MONTHLY TOTAL:** View your accumulated data from the first day of the month to the present day. Note: This data is based on month to date NOT the previous thirty days. For instance, if you have not used the machine since the first of the month, the console will read zeros. The following information will be shown in each display window:

SPEED - Average speed and average resistance of monthly workouts.

TIME - Total time of monthly workout.

DISTANCE - Total distance of monthly workouts.

CALORIES - Average monthly calories burned.

Note: Average speed and average resistance level will display alternately every three seconds.

If the Date and Clock are not set, Monthly Total will default to equal the Last Workout data.

6) **LIFETIME TOTAL:** This option allows you to view the total accumulated data from your first workout to your last saved workout. The following information will be shown in each display window:

SPEED - Average speed and average resistance.

TIME - Total accumulated time. Note: If time is greater than 59:59, the time will no longer display minutes and will display hours only.

DISTANCE - Total accumulated distance.

CALORIES - Average calories burned.

Note: Average speed and average resistance level will display alternately every three seconds.

## E700-E800: WEEKLY GOAL SETUP

- 1) Select **USER 1** or **USER 2**.
- 2) Press **eTRAK™** button and scroll to **WEEKLY GOAL**.
- 3) Enter the Setup Mode: Press **ENTER**. Use **+/- KEYS** to set a time goal (leave time at 00:00 if you want to set a distance goal).
- 4) Press **ENTER** button again and use the **+/- KEYS** to set a distance goal. If the distance is changed from 0.00, distance will be the goal.  
Note: You may only set a time or distance goal, not both.
- 5) Press **ENTER** button again to exit the **SETUP MODE**.

## HEART RATE

### HANDLEBARS

Place the palm of your hands directly on the grip pulse handlebars. Both hands must grip the bars for your heart rate to register. It takes 5 consecutive heart beats (15-20 seconds) for your heart rate to register. When gripping the pulse handlebars, do not grip tightly. Holding the grips tightly may elevate your blood pressure. Keep a loose, cupping hold. You may experience an erratic readout if consistently holding the grip pulse handlebars. Make sure to clean the pulse sensors to ensure proper contact can be maintained.

## USING SPEAKER/MP3 AUDIO FUNCTION

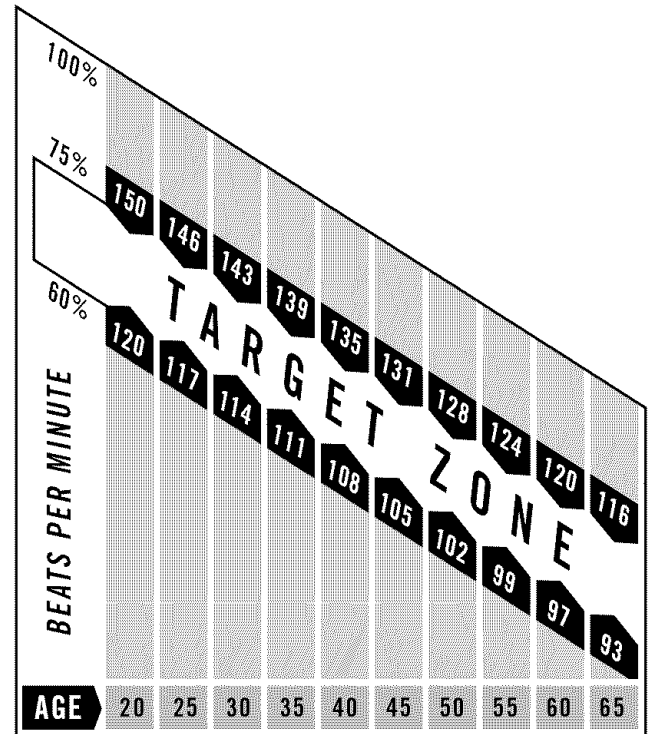
- 1) Connect the included **AUDIO ADAPTOR CABLE** to the **AUDIO IN JACK** on the top of the **CONSOLE** and the **HEADPHONE JACK** on your **CD / MP3** player.
- 2) Use your **CD / MP3** player buttons to adjust song settings.  
NOTE: If you don't want to use the speakers, you can plug your headphones into the **AUDIO OUT JACK** at the bottom of the **CONSOLE**.
- 3) Remove the **AUDIO ADAPTOR CABLE** when not in use.



## TARGET HEART RATE ZONE CHART

### What is Target Heart Rate Zone?

Target Heart Rate Zone tells you the number of times per minute your heart needs to beat to achieve a desired workout effect. It is represented as a percentage of the maximum number of times your heart can beat per minute. Target Zone will vary for each individual, depending on age, current level of conditioning, and personal fitness goals. The American Heart Association recommends working-out at a Target Heart Rate Zone of between 60% and 75% of your maximum heart rate. A beginner will want to workout in the 60% range while a more experienced exerciser will want to workout in the 70-75% range. See chart for reference.



### EXAMPLE:

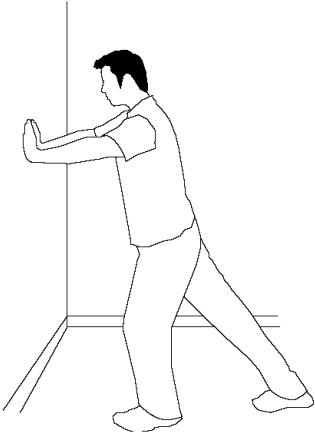
For a 42-year-old user: Find age along the bottom of the chart (round to 40), follow age column up to the target zone bar. Results: 60% of maximum Heart Rate = 108 Beats Per Minute, 75% of maximum Heart Rate = 135 Beat Per Minute.

**ALWAYS CONSULT YOUR PHYSICIAN BEFORE BEGINNING AN EXERCISE PROGRAM.**



### STRETCH FIRST

Before using your product, it is best to take a few minutes to do a few gentle stretching exercises. Stretching prior to exercise will improve flexibility and reduce chances of exercise related injury. Ease into each of these stretches with a slow gentle motion. Do not stretch to the point of pain. Make sure not to bounce while doing these stretches.

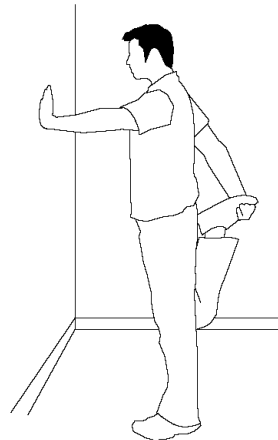


#### 1. STANDING CALF MUSCLE STRETCH

Stand near a wall with the toes of your left foot about 18" from the wall, and the right foot about 12" behind the other foot. Lean forward, pushing against the wall with your palms. Keep your heels flat and hold this position for a count of 15 seconds. Make sure that you do not bounce while stretching. Repeat on the other side.

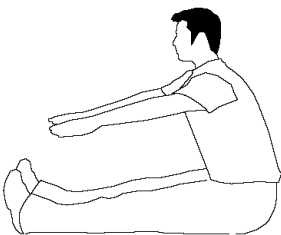
#### 2. STANDING QUADRICEPS STRETCH

Using a wall to provide balance, grasp your right ankle with your right hand and hold your foot against the back of your thigh for 15 seconds. Repeat with your left ankle and hand.



#### 3. SITTING HAMSTRING & LOWER BACK MUSCLE STRETCH

Sit on the floor with your legs together and straight out in front of you. Do not lock your knees. Extend your fingers towards your toes and hold for a count of 15 seconds. Make sure that you do not bounce while stretching. Sit upright again. Repeat one time.



## TIPS

### THE IMPORTANCE OF WARM UP & COOL DOWN

#### WARM UP

The first 2 to 5 minutes of a workout should be devoted to warming up. The warm-up will limber your muscles and prepare them for more strenuous exercise. Make sure that you warm-up on your product at a slow pace. The warm up should gradually bring your heart rate into your Target Heart Rate Zone.

#### COOL DOWN

Never stop exercising suddenly! A cool-down period of 3-5 minutes allows your heart to readjust to the decreased demand. Make sure that your cool down period consists of a very slow pace to allow your heart rate to lower. After the cool-down, repeat the stretching exercises listed above to loosen and relax your muscles.

## TIPS

### ACHIEVING YOUR FITNESS GOALS

An important step in developing a long term fitness program is to determine your goals. Is your primary goal for exercising to lose weight? Improve muscle? Reduce stress? Prepare for the spring racing schedule? Knowing what your goals are will help you develop a more successful exercise program. Below are some common exercise goals:

- Weight Loss - lower intensity, longer duration workouts
- Improve Body Shape and Tone - interval workouts, alternate between high and low intensities
- Increased Energy Level - more frequent daily workouts
- Improved Sports Performance - high intensity workouts
- Improved Cardiovascular Endurance - moderate intensity, longer duration workouts

If possible try to define your personal goals in precise, measurable terms, and then put your goals in writing. The more specific you can be, the easier it will be to track your progress. If your goals are long term, divide them up into monthly and weekly segments. Longer term goals can lose some of the immediate motivation benefits. Short term goals are easier to achieve. Your console provides you with several readouts that can be used to record your progress. You can track Distance, Calories or Time.

#### KEEPING AN EXERCISE DIARY

To make your personal exercise log book you can print them off of your computer by going to:

[www.horizonfitness.com/guides/weeklylog.pdf](http://www.horizonfitness.com/guides/weeklylog.pdf)

[www.horizonfitness.com/guides/monthlylog.pdf](http://www.horizonfitness.com/guides/monthlylog.pdf)

As your fitness improves, you can look back and see how far you've come!

# TROUBLESHOOTING

Your Horizon Fitness elliptical is designed to be reliable. However, if you do experience problems with your elliptical, please reference the troubleshooting guide listed below.

**PROBLEM:** The console does not light up.

**SOLUTION:** Verify the following:

- The outlet the machine is plugged into is functional. Double check that the breaker has not tripped.
- The correct cord is being used. Only use the cord provided or authorized by Horizon Fitness.
- The cord is not pinched or damaged and is properly plugged into the outlet AND the machine.
- The power switch is turned to the ON position (may not apply to all models).
- Turn off the machine and unplug power cord. Remove the console and check that all connections to the console are secure and not damaged or pinched.

**NOTE:** If your console uses batteries, they may need to be replaced.

**PROBLEM:** The console lights up but the Time/RPM's do not count.

**SOLUTION:** Verify the following:

- Turn off machine and unplug power cord. Remove the console and check that all connections to the console are secure and not damaged or pinched.
- If doing the above does not fix the problem, the speed sensor and/or magnet may have become dislodged or damaged.

**PROBLEM:** The resistance levels seem to be incorrect, seeming too hard or too easy.

**SOLUTION:** Verify the following:

- The correct adapter is being used. Only use the adapter provided or authorized by Horizon Fitness.
- Reset the console and allow the resistance to reset to the default position. Restart and retry the resistance levels.

**PROBLEM:** The roller wheels appear to be leaving particles on the guide rails.

**SOLUTION:** This is considered normal wear of the elliptical wheels.

To remove, simply wipe off the roller wheels and guide rails with a damp cloth.

**PROBLEM:** The elliptical makes a squeaking or chirping noise.

**SOLUTION:** Verify the following:

- The elliptical is on a level surface.
- Loosen all bolts attached during the assembly process, grease the threads, and tighten again.

ASSEMBLY  
TROUBLESHOOTING  
& MAINTENANCE  
CONSOLE  
WHEELS  
GUIDE RAILS  
ROLLER WHEELS  
ADAPTER  
RESISTANCE  
LEVELS  
TIME/RPM'S  
CONSOLE LIGHTS  
POWER SWITCH  
CORD

## HEART RATE TROUBLESHOOTING

**PROBLEM:** There is no heart rate reading.

**SOLUTION:** Remove the console and verify that the heart rate cables are attached properly, making sure that the cables are securely inserted into the console.

### YOU MAY EXPERIENCE AN ERRATIC READOUT UNDER THE FOLLOWING CONDITIONS:

- Gripping the heart rate handlebars too tight. Try to maintain moderate pressure while holding onto the heart rate handlebars.
- Constant movement and vibration due to constantly holding the heart rate grips while exercising.
- When you are breathing heavily during a workout.
- When your hands are constricted by wearing a ring.
- When your hands are dry or cold. Try moistening your palms or rubbing them together to warm.
- Anyone with heavy arrhythmia.
- Anyone with arteriosclerosis or peripheral circulation disorder.
- Anyone whose skin on the measuring palms is especially thick.

**NOTE:** Outside interference sources such as computers, motors and fluorescent lights may cause the heart rate reading to be erratic. Check your exercise environment for sources of interference such as high power lines, large motors, etc.

If the above troubleshooting section does not remedy the problem, discontinue use and turn the power off.

**CALL CUSTOMER TECH SUPPORT AT THE NUMBER ON THE BACK PANEL.  
WHEN YOU ARE NEAR THE EQUIPMENT**

The following information may be asked of you when you call. Please have these items readily available:

- Model Name
- Serial Number
- Date of Purchase (receipt or credit card statement)

In order for Customer Tech Support to service your elliptical they may need to ask detailed questions about the symptoms that are occurring. Some troubleshooting questions that may be asked are:

- How long has this problem been occurring?
- Does this problem occur with every use? With every user?
- If you are hearing a noise, does it come from the front, back or inside? What kind of noise is it (thumping, grinding, squeaking, chirping etc.)?
- If you are having a resistance problem what is occurring? Is the resistance always too hard or too easy? Does the resistance respond when pushing the buttons on the console? Does the resistance constantly cycle through the levels during the workout?
- Has the machine been maintained per the maintenance schedule?
- Does the problem occur when using the handlebars? Without using the handlebars?

Answering these and other questions will give the technicians the ability to send proper replacement parts and the service necessary to get you and your Horizon Fitness elliptical running again!

## COMMON PRODUCT QUESTIONS

### **ARE THE SOUNDS MY ELLIPTICAL MAKES NORMAL?**

*Our ellipticals are some of the quietest available because they use belt drives and friction free magnetic resistance. We use the highest grade bearings and belts to minimize noise. However, because the resistance system itself is so quiet, you will occasionally hear other slight mechanical noises. Unlike older, louder technologies, there are no fans, friction belts, or alternator noises to mask these sounds on our ellipticals. These mechanical noises, which may or may not be intermittent, are normal and are caused by the transfer of significant amounts of energy to a rapidly spinning flywheel. All bearings, belts and other rotating parts will generate some noise which will transmit through the casing and frame. It is also normal for these sounds to change slightly during a workout and over time because of thermal expansion of the parts.*

### **WHY IS THE ELLIPTICAL I HAD DELIVERED LOUDER THAN THE ONE AT THE STORE?**

*All fitness products seem quieter in a large store showroom because there is generally more background noise than in your home. Also, there will be less reverberation on a carpeted concrete floor than on a wood overlay floor. Sometimes a heavy rubber mat will help reduce reverberation through the floor. If a fitness product is placed close to a wall, there will be more reflected noise.*

### **HOW LONG WILL THE DRIVE BELT LAST?**

*The computer modeling we have done indicated virtually thousands of maintenance free hours. Belts are now commonly used in far more demanding applications such as motorcycle drives.*

### **CAN I MOVE THE TRAINER EASILY ONCE IT IS ASSEMBLED?**

*Your elliptical has a pair of transport wheels built into the front legs. It is easy to move your elliptical by rolling it on the front transport wheels. It is important that you place your elliptical in a comfortable and inviting room. Your elliptical is designed to use minimal floor space. Many people will place their ellipticals facing the TV or a picture window. If at all possible, avoid putting your elliptical in a unfinished basement. To make exercise a desirable daily activity for you, the elliptical should be in a comfortable setting.*

### **CAN I PEDAL BACKWARDS ON MY ELLIPTICAL?**

*Your elliptical allows you to pedal both forward and backwards to exercise and strengthen a wider range of muscles.*



# MAINTENANCE

## WHAT KIND OF ROUTINE MAINTENANCE IS REQUIRED?

We use sealed bearings throughout our ellipticals so lubrication is not needed. The most important maintenance step is to simply wipe your perspiration off the trainer after each use.

## HOW DO I CLEAN MY ELLIPTICAL?

Clean with soap and water cleaners only. Never use solvents on plastic parts.

Cleanliness of your elliptical and its operating environment will keep maintenance problems and service calls to a minimum. For this reason, Horizon Fitness recommends that the following preventive maintenance schedule be followed.

## AFTER EACH USE (DAILY)

Turn off the elliptical by unplugging the power cord from the wall outlet

- Wipe down the elliptical with a damp cloth. Never use solvents, as they can cause damage to the elliptical.
- Inspect the power cord. If the power cord is damaged, contact Horizon Fitness.
- Make sure the power cord is not underneath the elliptical or in any other area where it can become pinched or cut.



**WARNING** To remove power from the elliptical, the power cord must be disconnected from the wall outlet.

## WEEKLY

Clean underneath the elliptical, following these steps:

- Turn off the elliptical
- Move the elliptical to a remote location.
- Wipe or vacuum any dust particles or other objects that may have accumulated underneath the elliptical.
- Return the elliptical to its previous position.

## EVERY MONTH

- Inspect all assembly bolts and pedals on the machine for proper tightness.
- Clean any debris off of the pedal arm wheels and guide rails.

# LIMITED HOME-USE WARRANTY

## FRAME • LIFETIME

Horizon Fitness warrants the frame against defects in workmanship and materials for the lifetime of the original owner. (The frame is defined as the welded metal base of the unit and does not include any parts that can be removed.)

## E500: BRAKE • 25 YEARS

### Weight Capacity = 275 lbs

Horizon Fitness warrants the brake against defects in workmanship and materials for the period of twenty-five years of the original owner.

## E700-E800: BRAKE • LIFETIME

### Weight Capacity = 300 lbs

Horizon Fitness warrants the brake against defects in workmanship and materials for the lifetime of the original owner.

## ELECTRONICS & PARTS • 1 YEAR

Horizon Fitness warrants the electronic components and all original parts for a period of one year from the date of original purchase, so long as the device remains in the possession of the original owner.

## LABOR • 1 YEAR

Horizon Fitness shall cover the labor cost for the repair of the device for a period of one year from the date of the original purchase, so long as the device remains in the possession of the original owner.

## EXCLUSIONS AND LIMITATIONS

Who is covered:

- The original owner and is not transferable.

What IS covered:

- Repair or replacement of a defective motor, electronic component, or defective part and is the sole remedy of the warranty.

What IS NOT covered:

- Normal wear and tear, improper assembly or maintenance, or installation of parts or accessories not originally intended or compatible with the equipment as sold.
- Damage or failure due to accident, abuse, corrosion, discoloration of paint or plastic, neglect, theft, vandalism, fire, flood, wind, lightning, freezing, or other natural disasters of any kind, power reduction, fluctuation or failure from whatever cause, unusual atmospheric conditions, collision, introduction of foreign objects into the covered unit, or modifications that are unauthorized or not recommended by Horizon Fitness.
- Incidental or consequential damages. Horizon Fitness is not responsible or liable for indirect, special or consequential damages, economic loss, loss of property, or profits, loss of enjoyment or use, or other consequential damages of whatsoever nature in connection with the purchase, use, repair or maintenance of the product.
- Equipment used for commercial purposes or any use other than a single family or Household, unless endorsed by Horizon Fitness for coverage.
- Equipment owner or operated outside the US and Canada.
- Delivery, assembly, installation, setup for original or replacement units or labor or other costs associated with removal or replacement of the covered unit.
- Any attempt to repair this equipment creates a risk of injury. Horizon Fitness is not responsible or liable for any damage, loss or liability arising from any personal injury incurred during the course of, or as a result of any repair or attempted repair of your fitness equipment by other than an authorized service technician. All repairs attempted by you on your fitness equipment are undertaken AT YOUR OWN RISK and Horizon Fitness shall have no liability for any injury to the person or property arising from such repairs.

## SERVICE/RETURNS

- In-home service is available within 150 miles of the nearest authorized repair center (Mileage beyond 150 miles from an authorized service center is the responsibility of the consumer).
- All returns must be pre-authorized by Horizon Fitness.
- Horizon Fitness' obligation under this warranty is limited to replacing or repairing, at Horizon Fitness' option, the same or comparable model at one of its authorized service centers.
- A Horizon Fitness authorized service center must receive all equipment for which a warranty claim is made. This equipment must be received with all freight and other transportation charges prepaid, accompanied by sufficient proof of purchase.
- Replacement units, parts and electronic components reconditioned to As-new Condition by Horizon Fitness or its vendors may sometimes be supplied as warranty replacement and constitute fulfillment of warranty terms.
- This warranty gives you specific legal rights, and your rights may vary from state to state.

IMPORTANT PRECAUTIONS  
ASSEMBLY  
YOU DO IT YOURSELF  
ELECTRONIC COMPONENTS  
CONNECTIONS  
CABLES  
TIGHTENING  
& MAINTENANCE



## ***CUSTOMER TECH SUPPORT***

*For fast and friendly service, please contact one of our trained customer technicians via phone, email or our website.*

*Customer Tech Support Hotline: 1-800-244-4192*

*Email: [comments@horizonfitness.com](mailto:comments@horizonfitness.com)*

*Website: [www.horizonfitness.com](http://www.horizonfitness.com)*

*Every employee at Horizon Fitness takes pride in providing you with a high quality product. We want to know if you have a problem and we want to have an opportunity to correct it for you.*

**NOTE:** *Please read the TROUBLESHOOTING section before contacting Customer Tech Support. To receive additional product information, visit us at [www.horizonfitness.com](http://www.horizonfitness.com)*



**HORIZON**  
FITNESS

1620 Landmark Drive,  
Cottage Grove WI, 53527  
Tel: 1.800.244.4192  
Fax: 608.842.1660