

TOWER®

over 100 YEARS of quality

T13005

Bean to Cup Coffee Maker



3 YEAR
GUARANTEE



GREAT BRITISH
DESIGN SINCE 1912

SAFETY AND INSTRUCTION MANUAL
PLEASE READ CAREFULLY

*Subject to registering your Extended Guarantee online at www.towerhousewares.co.uk.



Towerbrand

GREAT BRITISH DESIGN, INNOVATION
AND EXCELLENCE SINCE 1912

Since the turn of the 20th century, Tower has been designing, developing and manufacturing housewares and small appliances used by millions of households throughout the UK and beyond. During the 1960s, the rise in popularity of pressure cooking saw Tower become the UK's largest producer of pressure cookers, right through into the late 1980s. In recent years the Tower brand has been reborn with an exciting and varied range of housewares and electrical appliances that have quickly reinstated the brand's richly deserved status as a household name.

TOWER

Visit

www.towerhousewares.co.uk

for more fantastic products.

Thank you for purchasing this Coffe Maker from the Tower range.

It has been designed to provide many years of trouble-free use.

Please read this manual carefully **BEFORE** using the Coffe Maker for your own safety.

There are many benefits to using a Tower Coffee Maker:

- Easy to use - just fill with water and your favourite coffee blend
- Course and Fine Grinding options
- Makes 4 cups of fresh coffee at a time
- The warming plate keeps your coffee at the perfect temperature
- 600ml capacity tank
- Compact design

Contents:

1. **Specifications**
Components and structure
2. **Technical Data**
3. **Important Safety Information**
4. **Before First Use**
5. **Using your Appliance**
6. **Troubleshooting**
7. **Recycling**
8. **Cleaning & Care**
9. **Wiring Safety**
10. **Warranty Information**
11. **Your Receipt**

See back page for Customer Service Information.

Call us first, we can help.

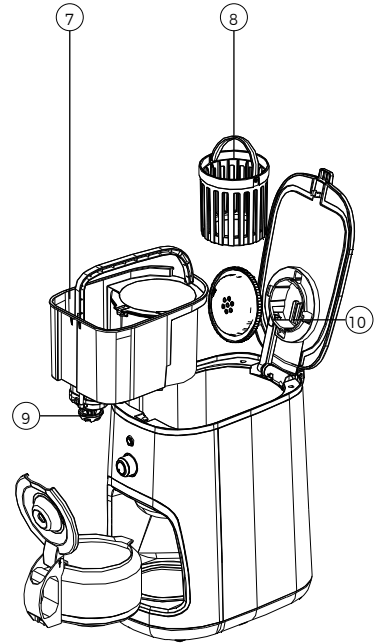
With advice, spares and returns.

Visit our website: towerhousewares.co.uk Call: +44 (0)333 220 6066
(8.30am to 6.00pm Monday-Friday)

1 - Specifications:

This box contains:

Instruction Manual
Tower Coffee Maker Unit
Glass Coffee jug (Carafe)
Re-usable Filter
Spoon



Structure of your appliance:

- | | |
|-----------------|--------------------|
| 1. Glass Carafe | 6. Grinding Cavity |
| 2. Carafe Lid | 7. Water Tank |
| 3. Control Dial | 8. Brewing Basket |
| 4. Power Button | 9. Anti-drip Valve |
| 5. Lid | 10. Bean Grinder |

2 - Technical Data:

Description:	Bean to Cup Coffee Maker
Model:	T13005
Rated Voltage:	220-240v
Frequency:	50/60Hz
Power Consumption:	900W

Documentation

We declare that this product conforms to the following product legislation in accordance with the following directive(s):

2014/30/EU	Electromagnetic Compatibility Directive.
2014/35/EU	Low Voltage Directive.
2011/65/EU	Restriction of Hazardous Substances Directive.
1935/2004/EC	Materials & Articles in Contact With Food (LFGB section 30 & 31).

RK Wholesale LTD Quality Assurance, United Kingdom.

Should you encounter problems or require a replacement part, contact the Tower Customer Support Team: **+44 (0) 333 220 6066**.

Some spare parts may be ordered from the Tower website.
Your warranty becomes void should you decide to use non Tower spare parts.
Spare parts can be purchased from **www.towerhousewares.co.uk**

Guarantee for spare parts:

The spares and accessories are guaranteed for 1 year from date of purchase.
The main body and housing are guaranteed for the extended free warranty subject to registration.
If any defect arises due to faulty materials of workmanship, the faulty products must be returned to the place of purchase within 12 months from the date of purchase.
Refund or replacement is at the discretion of the retailer.

3 - Important Safety Information:

Please read these notes carefully BEFORE using your Tower appliance

- To protect against fire, electric shock and injury to persons DO NOT immerse cord or plug in water or any other liquid.
- Close supervision is necessary when any appliance is used by or near children.
- Unplug from outlet when not in use and before cleaning. Allow to cool before putting on or removing parts, and before cleaning the appliance.
- DO NOT operate any appliance with a damaged cord or plug or after the appliance malfunctions or has been damaged in any manner. Return appliance to an authorised service facility for examination, repair or adjustment.
- The use of an accessory not recommended by the appliance manufacturer may result in fire, electric shock or injury to persons.
- DO NOT use outdoors.
- DO NOT let the cord hang over edge of table or counter, or touch a hot surface.
- DO NOT place on or near a hot gas or electric burner, or in a heated oven.
- DO NOT use appliance for other than intended use.
- The container is designed for use with this appliance. It must never be used on a range top.
- DO NOT clean container with cleansers, steel wool pads, or other abrasive material.
- To disconnect, turn any control to "Off", remove plug from wall outlet. Always hold the plug. But never pull the cord.

- Scalding may occur if the top lid is opened during the brewing cycles. Be careful not to get burned by the steam.
- Some parts of appliance are hot when operated, so DO NOT touch with your hand or make contact with bare skin. Use handles or knobs only.
- Never use the appliance if the jug shows any signs of cracks or has a loose or weakened handle. Only use the jug with this appliance. Use carefully as the jug is fragile.
- This appliance is not intended for use by persons (including children) with reduced physical, sensory or mental capabilities, or lack of experience and knowledge, unless they have been given supervision or instruction concerning use of the appliances by a person responsible for their safety.
- Children should be supervised to ensure that they DO NOT play with the appliance.
- DO NOT set a hot container on a hot or cold surface.
- DO NOT let the coffee maker operate without water.
- This appliance is intended to be used in household and similar applications such as:
 - Staff kitchen areas in shops, offices and other working environments;
 - farm houses;
 - By clients in hotels, motels and other residential type environments;
 - Bed and breakfast type environments.
- This appliance has been incorporated with a grounded plug. Please ensure the wall outlet in your house is properly earthed.
- In the unlikely event the appliance develops a fault, stop using it immediately and seek advice from the Customer Support Team:
+44 (0) 333 220 6066

4 - Before First Use

1. Remove the parts from the packaging.
2. Prior to initial use run the Coffee Maker for the first time without coffee, filling with water to the maximum mark.
3. Your appliance is now ready for normal use.
4. Dispose of the packaging in a responsible manner.

5 - Using Your Appliance

Brewing Your Coffee:

1. Open the top lid and fill the water tank with drinking water.

NOTE: Do not exceed the MAX LEVEL as indicated on the water tank. The appliance can brew max 4 cups of coffee every brewing cycle.

2. Place the brewing basket into the grinding cavity and make sure the brewing basket is correctly fitted into place.
3. Add coffee powder or beans to the brewing basket. Usually a cup, or two cups of coffee, uses three spoons of coffee beans or powder, three cups of needs five spoons, and four cups needs six spoons of coffee beans or coffee powder, but you may adjust according to personal taste.

NOTE: The appliance will not work unless the top lid is closed and in its correct position.

4. Insert the glass carafe onto the warming plate horizontally; ensure centre line of the carafe aligns with anti-drip valve.
5. Plug the coffee machine into mains. The "Start" button illuminates in green when the unit is powered.

WARNING: The control knob must point to "Stop" position before plug in.

For Coffee Powder:

- Turn the control knob to the "Coffee Powder" position, then press down the "Start" button.

For Coffee Beans:

- Add your preferred coffee beans into brewing basket, and then replace the top lid.
- Turn the control knob to "Coarse grind" or "Fine Grind" position based on your preference, and then press down the "Start" button.

WARNING: Do not open the top lid during brewing process to avoid being scalded.

- The appliance will begin to operate and brew coffee with the powder or beans. At that time the "Start" button indicator light turns into red.

- After it has finished grinding the appliance starts to brew coffee. After a while, coffee flows into the glass carafe from the coffee outlet. The appliance will automatically stop operating and switch to 'keep-warm' condition after it has finished brewing. After keeping warm for 30 minutes, the appliance will cut off automatically and the indicator light of the "Start" button will extinguish.

NOTE: During the brewing process, you can press the "Start" button again if you want to make the appliance stop working. However, it is better not to avoid stopping the unit during brewing process. To continue brewing, you must firstly open the top lid and then close it again to make the appliance continue operating.

NOTE: The appliance is designed with a pause-and-serve feature, if you wish, at any time during the brewing cycle, you can temporarily remove the glass carafe to pour and serve a cup of hot coffee.

The brewing cycle will not be interrupted and no coffee will drip from the appliance. Simply replace glass carafe onto warming plate to restart the brewing cycle, but do not remove the carafe for longer than 30s. Never return the empty glass carafe onto warming plate when it is still warm.

Remove glass carafe to serve when the unit has finished brewing. For an optimum coffee taste, serve it just after brewing.

NOTE: The volume of coffee brewed will be less than the amount of water first added as some water will be absorbed during the brewing process.

CAUTION: Be careful when pouring from the Carafe that you do not angle it beyond a safe angle. We recommend no more than 45 degrees from the vertical position. Pour the coffee slowly until the glass carafe is empty, otherwise the coffee may will rush into the lid, and flow out from two edges of lid. This will result in a mess and could, if the liquid is still hot, cause scalding.

Always turn the coffee maker off and unplug the appliance when not in use.

Hints For Great Tasting Coffee:

1. A clean coffee maker is essential for making great-tasting coffee. Regularly clean the coffee maker as specified in the "CLEANING AND MAINTENANCE" section. Always use fresh, cold water in the coffee maker.
2. Store unused coffee powder in a cool, dry place. After opening a packet of coffee powder reseal it tightly and store it in a refrigerator to maintain its freshness.
3. For an optimum coffee taste, buy whole coffee beans and finely grind them just before brewing.
4. Do not reuse coffee powder since this will greatly reduce the coffee flavour. Reheating coffee is not recommended as coffee is at its peak flavour immediately after brewing.
5. Clean the coffee maker when over-extraction causes oiliness. Small oil droplets on the surface of brewed, black coffee are due to the extraction of oil from the coffee powder.
6. Oiliness may occur more frequently if heavily roasted coffees are used.

6 - Troubleshooting

Questions	Answers
What kind of coffee shall I use?	Any ground coffee! You can buy pre-ground coffee for filter machines from supermarkets in a variety of different flavours and blends to suit your taste, you can grind your own coffee beans, or you can buy beans from your favourite coffee shop and ask for them to be ground to filter consistency.
How do you clean the filter?	The filter can be washed out in warm water, however it must be fully 100% dry prior to re-insertion into the product.
Can I put the carafe in the microwave?	No, never put the carafe in the microwave, dishwasher or on a hotplate

7 - Recycling

DISPOSAL OF THE UNIT

Appliances bearing the symbol shown here may not be disposed of in domestic rubbish. You are required to dispose of old electrical and electronic appliances like this separately.

Please visit www.recycle-more.co.uk or www.recyclenow.co.uk for access to information about the recycling of electrical items.

Please visit www.weeeireland.ie for access to information about the recycling of electrical items purchased in Ireland.

The WEEE directive, introduced in August 2006, states that all electrical items must be recycled, rather than taken to landfill.

Please arrange to take this appliance to your local Civic Amenity site for recycling, once it has reached the end of its life.



8 - Cleaning & Care

CAUTION: Be sure to unplug this appliance before cleaning and let it cool down completely. To protect against electrical shock, do not immerse cord, plug or unit in water or liquid.

1. Clean all detachable parts such as the inner cover, brewing basket, water tank etc. with warm water. Clean the small brush at one end of spoon after each use.
2. Push the anti-drip valve upwards 3-4 times to empty the residual water.
3. Wipe external surface of product with a soft, damp cloth to remove stains.
4. Water droplets may build up in the area above the brewing basket and drip onto the product base during brewing. To control the dripping, wipe off the area with a clean, dry cloth after each use of the product.
5. Replace all parts for your next use of the appliance.

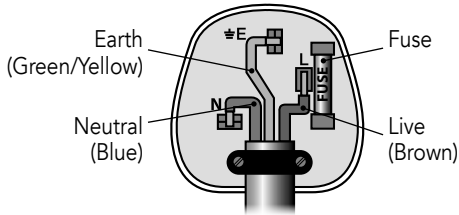
Brew Coffee With Coffee Powder:

To keep your coffee maker operating efficiently, you should periodically clean away scale deposits left by the water according to the water quality in your area and the use,

We recommend removing mineral deposits as follows:

1. Fill the tank with water and de-scaler to the max level as indicated on the water tank (the scale of water to de-scaler is 4:1. Make sure you refer to the instructions that come with your descaling product. Please use "household de-scaler"), you may also use the citric acid instead of the de-scaler (one hundred parts of water and three parts of citric acid).
2. Insert the glass carafe onto the warming plate.
3. Make sure the brewing basket is clear of coffee beans or powder and is in place in the unit.
4. Switch on the appliance and allow it to "brew" the de-scaling solution.
5. After the "brew" one-cup solution has run, switch off the appliance.
6. Leave the solution for 15 minutes and repeat step 3-5.
7. Switch on the appliance and run off the solution until the water tank is completely empty.
8. Rinse by operating the appliance with water only at least 3 times. This will ensure that all de-scaler is flushed from the system.


9 - Wiring Safety for UK Use Only



IMPORTANT

As the colours in the mains lead of this appliance may not correspond with the coloured markings identifying the terminals in your plug, please proceed as follows:

The wires in the mains lead are labelled in accordance with the following code:

Blue neutral [N] Brown live [L]
Green/Yellow [EARTH] 

Plug Fitting Details (Where Applicable). The wire labelled blue is the neutral and must be connected to the terminal marked [N].

The wire labelled brown is the live wire and must be connected to the terminal marked [L].

The wire labelled green/yellow must be connected to the terminal marked with the letter [E].

On no account must either the brown or the blue wire be connected to the [EARTH] terminal.

Always ensure that the cord grip is fastened correctly.

The plug must be fitted with a fuse of the same rating already fitted and conforming to BS 1362 and be ASTA approved.

If in doubt consult a qualified electrician who will be pleased to do this for you.

Non-Rewireable Mains Plug

If your appliance is supplied with a non-rewireable plug fitted to the mains lead and should the fuse need replacing, you must use an ASTA approved one (conforming to BS 1362 of the same rating).

If in doubt, consult a qualified electrician who will be pleased to do this for you.

If you need to remove the plug - disconnect it from the mains - then cut it off of the mains lead and immediately dispose of it in a safe manner. Never attempt to reuse the plug or insert it into a socket outlet as there is a danger of an electric shock.

WARNING:
This appliance **MUST** be earthed!

10 - Warranty

3* | YEAR
GUARANTEE



GREAT BRITISH
DESIGN SINCE 1912

As a thank you for purchasing one of our fantastic products, we are offering you an extra 2 years peace of mind in addition to your 1 year guarantee.

To receive your extra 2 year guarantee, register your appliance online within 28 days of purchase by visiting www.towerhousewares.co.uk



This product is guaranteed for 12 months from the date of original purchase. If any defect arises due to faulty materials of workmanship, the faulty products must be returned to the place of purchase. Refund or replacement is at the discretion of the retailer.

The Following Conditions Apply:

- The product must be returned to the retailer with proof of purchase or a receipt.
- The product must be installed and used in accordance with the instructions contained in this instruction guide.
- It must be used only for domestic purposes.
- It does not cover wear and tear, damage, misuse or consumable parts.
- Tower has limited liability for incidental or consequential loss or damage.

This guarantee is valid in the UK and Eire only.

The standard one year guarantee is only extended to the maximum available for each particular product upon registration of the product within 28 days of purchase. If you do not register the product with us within the 28 day period, your product is guaranteed for 1 year only.

To validate your extended warranty, please visit www.towerhousewares.co.uk and register with us online.

Please note that length of extended warranty offered is dependent on product type and that each qualifying product needs to be registered individually in order to extend its warranty past the standard 1 year. Extended warranty is only valid with proof of purchase or receipt.

11 - Your Receipt

Affix your store receipt to this page for safe keeping.

TOWER®

over 100 YEARS of quality

thank you!

We hope you enjoy your appliance for many years. As a thank you for purchasing one of our fantastic products, we are offering you an extra 2 years peace of mind.

*To receive your extra 2 years guarantee, register your appliance online within 28 days of purchase by visiting:

www.towerhousewares.co.uk

Should you have a problem with your appliance, or need any spare parts, please call our Customer Support Team:

+44 (0) 333 220 6066

Your warranty becomes void should you decide to use non Tower spare parts. Spare parts can be purchased from **www.towerhousewares.co.uk**



0819.V2