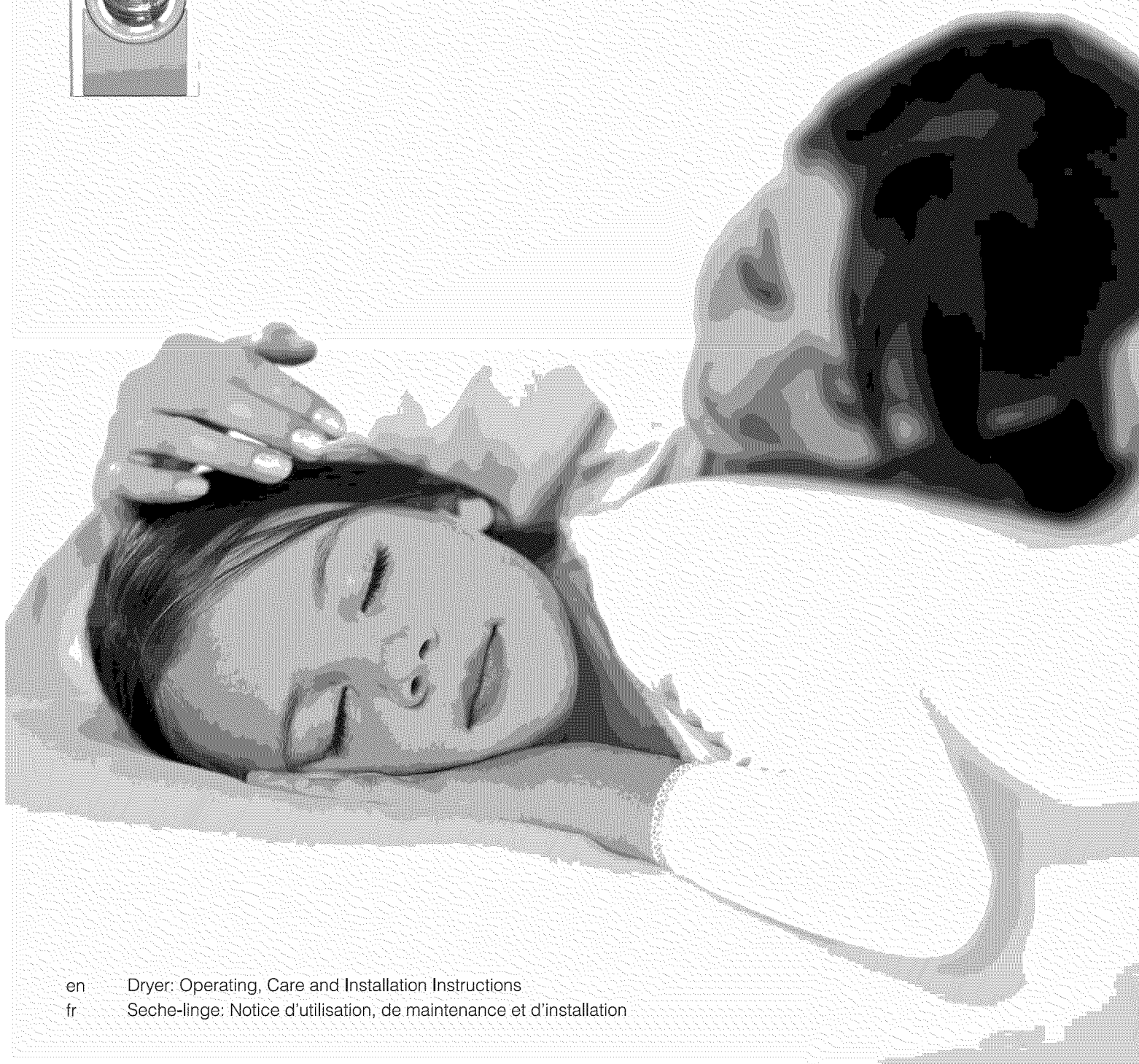


Bosch Nexxt[®] Series MISTCARE[™] Electric Dryers



BOSCH
Invented for life



en Dryer: Operating, Care and Installation Instructions
fr Seche-linge: Notice d'utilisation, de maintenance et d'installation

Features and Benefits of Your New Dryer

DUOTRONIC[®] Technology

Moisture and temperature levels are constantly monitored to ensure precise drying results for a wide array of fabrics. Everything from T-shirts to baby blankets come out warm and soft every time.

Constant monitoring ensures the lowest energy usage possible, cutting consumption by up to 50% per year.

WRINKLEBLOCK[™]

Sometimes you can't get your laundry right when the buzzer rings. Extended **WRINKLEBLOCK[™]** gives you one hour of intermittent tumbling, preventing creases from setting in and, ultimately, reducing ironing time.

Stainless Steel Drum

Nexxt[™] dryers feature smooth stainless steel drums for the gentlest of care.

180° Door Hinge

Finally, a dryer door that completely opens up to a full 180° – making it easier to load and unload laundry. Washer and dryer doors also open in opposite directions, so when set up side by side, transferring your damp laundry to the dryer becomes an effortless task.

Quiet Performance

Bosch laundry appliances use brushless motors, suspended pump systems and special sound-deadening material to keep them exceptionally quiet while in operation. Which means they can be installed virtually anywhere in the home without causing a disturbance.

Dryer Rack

The **Nexxt[™]** dryer rack protects the most delicate fabrics or a pair of tennis shoes, and it dries without the tumbling. It is standard on the **Nexxt[™]** Premium model or available as an accessory.

Lint Trap

Our lint trap is conveniently located in the appliance housing below the dryer door for easy access. The lint trap's fine mesh filter captures even the smallest lint particles. And to increase drying efficiency, there's also a lint filter light that illuminates should the filter need immediate cleaning.

MISTCARE[™]

MISTCARE[™] programs utilize added moisture to help relax fabric, ease wrinkling, and freshen cotton blend laundry items to reduce odor.

AQUASTOP[®] Hose

The **AQUASTOP[®]** Hose stops water flow in the event the hose experiences flood-type leakage.

Table of Contents

Definitions	4
IMPORTANT SAFETY INSTRUCTIONS	4
GROUNDING INSTRUCTIONS	5
INSTALLATION INSTRUCTIONS	6
Introduction	6
Information concerning waste disposal	6
Before installing the dryer	6
Installation – step by step	7
Electrical connection	10
Exhaust air connection	13
Accessories	15
Preparing to transport the dryer – step by step	15
OPERATING INSTRUCTIONS	16
Panel	16
Additional Safety information	17
Protection of the environment	17
Laundry	17
Identification of fabrics	17
Drying tips	17
Program Selection Table	18
Options	18
Indicator of program sequence	18
Automatic programs	19
MISTCARE programs	19
Special programs	19
Time programs	19
Operation	21
Using the dryer	21
Cleaning the lint filter	22
Using the dryer rack (Option)	22
Cleaning and care	24
Cleaning the dryer	24
Cleaning the exhaust duct	24
Cleaning the moisture sensor	24
Cleaning the bearing shield	24
Change the light bulb	24
Troubleshooting	25
SERVICE and REPAIR	26
STATEMENT OF LIMITED PRODUCT WARRANTY	27



Congratulations on having selected a Bosch clothes dryer, the choice of those that demand exceptional drying performance and care from their clothes dryer.

This dryer complies with:
UL 2158/CAN/CSA-C22.2 No.
112-97 Clothes Dryers

A distinctive feature of your dryer is low energy consumption.

An easy operation philosophy, a variety of customized drying programs and a solid touch and feel make this appliance a user-friendly assistant in your household.

The Bosch dryers offer the following standard features:

- High efficiency precision drying system
- Large stainless steel drum with a capacity of up to 17.6 lbs (8 kg)
- Large port hole (18"/457 mm), and door interlock with automatic drum stop function
- Exceptionally quiet operation
- Sensor controlled auto cycles
- Timed cycles
500 Series Dryer: 30 and 60 minutes
800 Series Dryer: 10 to 150 minutes (in increments of 10 minutes)
- Short program for ½ load (25 minutes) (800 Series only)

Each dryer which leaves our factory has undergone a thorough performance test and is in full working condition. If you have any questions especially concerning installation of the dryer – our customer service team will be happy to assist you.

Further information and a selection of our products can be found on our web site:

www.boschappliances.com

Information

Please read and follow these operating and installation instructions and all other information enclosed with the dryer.

Definitions



WARNING

WARNING – This indicates that death or serious injuries may occur as a result of non-observance of this warning.



CAUTION

CAUTION – This indicates that minor or moderate injuries may occur as a result of non-observance of this warning.

NOTICE

NOTICE – This indicates that damage to the appliance or property may occur as a result of non-observance of this warning.



This symbol is used to draw the user's attention to important matters.

⚠ IMPORTANT SAFETY INSTRUCTIONS



WARNING

To reduce the risk of fire, electric shock, serious injury or death to persons and /or damage when using your dryer, follow basic precautions, including the following.

1. Read all instructions before using the dryer. Bosch dryers are provided with Operating, Care and Installation Instructions.
2. Do not dry articles that have been previously cleaned, washed, soaked, or spotted with gasoline, dry cleaning solvents, other flammable, or explosive substances as they give off vapors that could **ignite** or explode.

To reduce the risk of **fire**, clothes, cleaning rags, mop heads and the like which have traces of any

flammable substance, such as vegetable oil, cooking oil, petroleum based oils or distillates, waxes, fats, etc., must not be placed in the dryer. These items may contain some flammable substance(s) even after washing, which may smoke or catch **fire** by themselves.

3. The dryer must only be used for its intended purpose.
4. Do not allow children to play on or in the appliance at any time; severe **injury** or **death** could result. Children should be kept a safe distance away from appliances at all times. Children should only be permitted within an

appliance's vicinity if under close, constant adult supervision.

5. When children become old enough to operate the appliance, it is the legal responsibility of the parents or legal guardians to ensure that they are instructed in safe practices by qualified persons.
6. BEFORE THE APPLIANCE IS REMOVED FROM SERVICE OR DISCARDED, REMOVE THE DOOR TO THE DRYING COMPARTMENT.
7. Do not reach into the appliance if the drum is rotating.
8. Do not install or store this appliance where it will be exposed to the weather or the elements, such as water/moisture, dirt, corrosive/salt air, and excessive cold.
9. Do not tamper with the controls.

10. Do not repair or replace any part of the appliance or attempt any service unless specifically recommended in the user-maintenance instructions or in published user repair instructions that you understand and have the skills to carry out.
11. Do not use fabric softeners or products to eliminate static unless recommended by the fabric manufacturer.
12. Do not use heat to dry articles containing foam rubber (may be labeled latex foam) or similarly textured rubber-like materials. Foam rubber materials can **ignite** by spontaneous combustion.
13. Do not dry articles containing spunbonded olefin. Spunbonded olefin can melt and can **ignite** by spontaneous combustion.
14. Clean lint screen before and after each load. Excess lint buildup can damage the dryer and create a potential **fire hazard**.
15. Keep area around the exhaust opening and adjacent surrounding areas free from the accumulation of lint, dust and dirt. An obstructed port might reduce the airflow and cause overheating.
16. The interior of the machine and exhaust duct should be cleaned periodically by qualified service personnel.
17. Removing any panel or cover, including the light cover, may expose live electrical circuits. Always be sure to unplug the dryer from the electrical supply before attempting any service. Disconnect the power cord by grasping the plug, not the cord.
18. Store all laundry chemicals and aids in a cool dry place according to the manufacturer's instructions. Make sure children cannot reach them. Gasoline, combustible materials and flammable vapors, liquids, and substances that pose a fire hazard-must not be stored near the dryer.
19. Do not sit on top of the dryer.
20. To avoid fire hazards, do not use an extension cord, an adapter, or any other non-manufacturer supplied electrical connector or cord, to connect the dryer to the electrical supply. Dryers are

powerful machines, and must have dedicated electrical outlets.

21. Always check clothing pockets and shake out all laundry items before placing into dryer; inappropriate objects can damage the dryer and certain items like cigarette lighters can pose a **fire hazard**.
22. To reduce the risk of fire and electrical shock hazards, do not use the dryer if the power cord is frayed or damaged, or if the plugs are loose.
23. Do not operate the dryer if any guards and/or panels have been removed or if any parts are missing or broken.
24. Do not bypass any safety devices.
25. Do not use a plastic or non-metal flexible duct with this dryer. Plastic or non-metal flexible duct is a potential **fire hazard**.
26. Do not operate this dryer until you are sure that the dryer has been installed according to the INSTALLATION INSTRUCTIONS and that installation and electrical grounding are in compliance with all local regulations and/or other applicable regulations and requirements.
27. Failure to install, maintain and/or operate the dryer according to the manufacturer's instructions may result in **injury** and/or damage.
28. To avoid floor damage and mold growth, do not let spills or splashout to cause standing water around or under the appliance.
29. Make sure that all water connections to the dryer have a shut-off valve that is readily accessible. Close the appliance water shut-off valve(s) at the end of each day of use.
30. Check the fill hose connections on a regular basis to ensure that they are tight and not leaking.

Notes:

- A The IMPORTANT SAFEGUARDS and WARNINGS presented in this manual do not cover all possible conditions that may occur. Common sense, caution and care must be exercised when

installing, maintaining or operating the dryer.

- B Always contact your dealer, distributor, service agent or the manufacturer about any problems or conditions that you do not understand.
- C Follow the Safety Information provided in the INSTALLATION INSTRUCTIONS and the OPERATING INSTRUCTIONS.

GROUNDING INSTRUCTIONS

This appliance must be grounded. In the event of malfunction or breakdown, grounding will reduce the risk of electric **shock** by providing a path of least resistance for the electric current.

For CANADA

This appliance is equipped with a cord having an equipment-grounding conductor and a grounding plug. The plug must be plugged into an appropriate outlet that is properly installed and grounded in accordance with all local codes and ordinances.



WARNING

Improper connection of the equipment grounding conductor can result in a risk of electric **shock**. Check with a qualified electrician or service person if you are in doubt as to whether the dryer is properly grounded. DO NOT modify the plug provided with the appliance. If it will not fit the outlet, have a proper outlet installed by a qualified electrician.

KEEP THESE INSTRUCTIONS FOR FUTURE REFERENCE.

In case of change of ownership, manual should be conveyed with the dryer.

SAVE THESE INSTRUCTIONS

INSTALLATION INSTRUCTIONS

Introduction

Read these installation instructions completely and carefully. They will save you time and effort and help to ensure optimum dryer performance. Be sure to observe all listed warnings and cautions.

WARNING

WARNING – Risk of Fire.

- Clothes dryer installation must be performed by a qualified installer.
- Install the clothes dryer according to the manufacturer's instructions and local codes.
- Do not install a clothes dryer with flexible plastic venting materials. If flexible metal (foil type) duct is installed, it must be of a specific type identified by the appliance manufacturer as suitable for clothes dryers. Flexible venting materials are known to collapse, be easily crushed and trap lint. These conditions will obstruct clothes dryer airflow and increase the risk of fire.
- To reduce the risk of severe injury or death, follow all installation instructions.
- **SAVE THESE INSTRUCTIONS.**

In addition to these instructions the dryer must be installed in accordance with all local codes or, in the absence of a local code:

- In **Canada**, in accordance with the Canadian Electric Code C22.1 – latest edition/Provincial and Municipal codes and/or local codes.

Information concerning waste disposal

Disposal of the packaging

WARNING

Keep children away from shipping carton and packaging components. Danger of suffocation from plastic foil and folding cartons.

All packaging materials are environmentally friendly and can be reused. Please dispose of packaging in an environmentally friendly manner.

Please ask your dealer or inquire at your local authority about the current means of disposal.

Disposal of the old appliance

WARNING

If appliance is no longer usable, pull out main plug, cut off power cord and discard with main plug. To prevent children from locking themselves in the appliance, remove the door.

Old appliances are not worthless rubbish! Valuable raw materials can be reclaimed from environmentally friendly recycling.

Please ask your dealer or inquire at your local authority about the current means of disposal.

Before installing the dryer

Before installing the dryer to a previously used ductwork system make sure the system is clean. Professional ductwork cleaning is recommended annually and also when attaching your dryer to a previously used ductwork system.

Maintaining clean ductwork will reduce drying time and will improve drying performance.

Unpacking the appliance

CAUTION

The dryer is very heavy. Do not lift it by yourself. Do not lift the appliance by projecting components (e.g. door) – due to risk of breakage.

NOTICE

Remove the appliance packaging carefully to prevent damage to the surfaces.

Check the dryer for transportation damage. Do not install a dryer which is visibly damaged. If in doubt, contact your dealer.

Supplied components

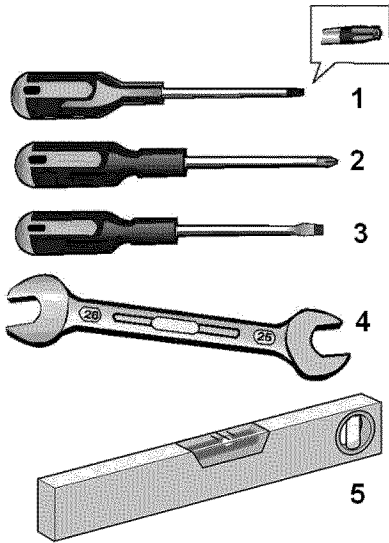
NOTICE

After removing the packaging, immediately remove any objects from the drum.

Useful Tools

The following tools are helpful during installation:

1. T20 star head screwdriver
2. Philips screwdriver (#2)
3. Flat blade screwdriver
4. Open end wrench 1 in. (25mm)
5. Bubble level



Checklist for Installation

1. Unpack the dryer.
2. Remove all objects from the drum.
3. Check the dryer for visible damage.
4. Position the dryer near the installation location (see page 7).
5. If required, change the door hinge to the left (see page 15).
6. If required, install the side or bottom exhaust air outlet on the dryer (see page 15).
7. Check for "Y" connection, short hose and AQUASTOP® Hose included with the dryer packaging (see page 8).
8. Connect the water supply to the back of the dryer (see page 8 for detailed instructions).
9. Install exhaust ductwork if necessary.

Follow the installation instructions supplied by the appropriate ductwork parts manufacturers (see page 14)

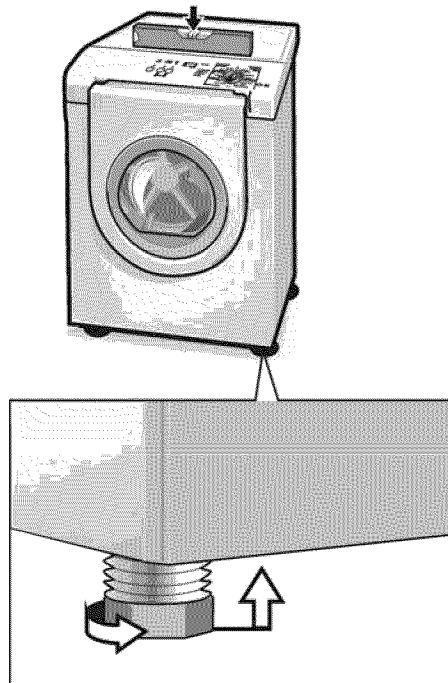
- i** If space is very restricted, it is recommended to fit the initial parts of the exhaust duct to the dryer before the dryer is moved to its final installation location.

10. Move the dryer to its final location.

NOTICE

Do not slide dryer across the floor if height-adjustable feet have been extended. Feet and/or dryer base may be damaged if dryer is slid across floor with height-adjustable feet extended.

11. Position and then level the dryer.



The dryer should be level with all four feet firmly on the ground. The dryer must not wobble. If the dryer is not level or if it does wobble, the feet must be adjusted. Adjust the height-adjustable feet until the dryer does not rock and is level, both front-to-back and side-to-side.

- After making preliminary adjustments, press down on each corner of the dryer to make sure the unit does not wobble. If it does wobble, lower the foot on that corner until the foot touches the floor firmly.

Install the dryer and level side to side and front to back. Use a bubble level. Never remove the height-adjustable feet!

12. Connect the exhaust duct to the exhaust air outlet on the dryer (see page 13).
13. Insert the dryer electrical plug into the wall receptacle (see page 10).
14. Read the operating instructions to understand how your dryer operates. (see page 16).
15. Conduct an appliance test:
 - Check that the drum is empty.
 - Close the dryer door.
 - Switch the dryer to "Extra Dry" and then press the "Start" button.
 - After 3–5 minutes press the Stop button and open the door.
 - If the interior of the dryer feels warm, the dryer has been connected properly. Switch the dryer to "OFF".
 - If the dryer does not work, switch the dryer to "OFF". Look in the troubleshooting section (page 25) and find the fault.

Installation location

! WARNING

DO NOT install the dryer:

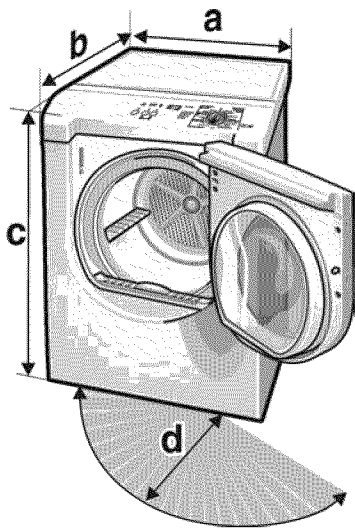
- outdoors
- in an environment with dripping water,
- near flammable materials,
- in rooms which are at risk of frost,
- in rooms which may contain gas or other fuels,
- in cupboards with lockable doors or in alcoves.

The installation room must be well ventilated, otherwise the dryer will operate below optimum performance.

Do not operate the dryer at temperatures above 104°F (40°C) or below 41°F (5°C). Low temperatures affect the automatic program sequence and may prolong the drying times.

The installation surface for the dryer must be clean, level and firm. Do not install the appliance on carpets! Compensate for uneven floors with the height-adjustable feet.

The size of the installation area depends on the dimensions of the dryer. Ensure that there is adequate room for the swivel range of the door!



	Dimension	Weight
a	27.0" (686 mm)	125 lbs (56 kg)
b	31.8" (808 mm)	
c	37.2" (945 mm)	with packaging
d	19.7" (500 mm)/	143 lbs (64 kg)
angle	170 – 180°	

If installing the dryer in a closet, observe the minimum distances according to the following table:

Minimum Installation Clearances

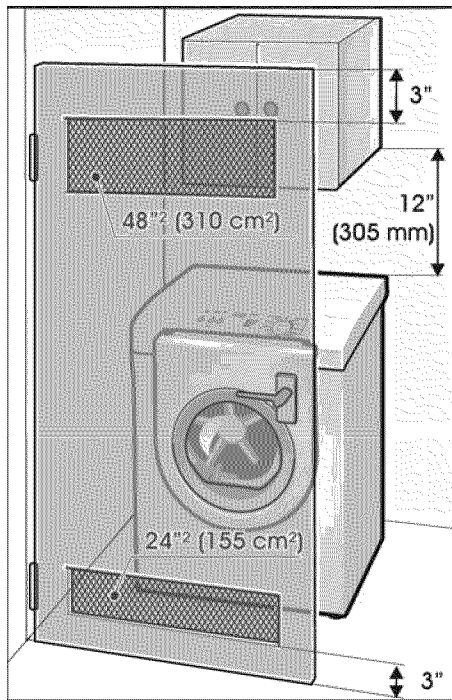
	Closet
Sides	0" (0 mm)
Top	12" (305 mm)
Rear*	0" (0 mm)

* as close to wall as venting or water connection will allow.

Important information concerning minimum distances:

- Depending on the location of the exhaust air connection, an additional minimum distance of 5½ inch (14 cm) must be provided on this side for ducts/brackets (see page 15).

- Benefits of maintaining greater distance (clearances) than the minimum shown include:
 - reduction of the risk of mold formation behind the appliance.
 - reduced noise transmission
 - facilitation of installation and service.
 - more air cools the dryer, keeps the dryer from overheating, and improves drying performance.
- If the dryer is installed in a small room, the doors of the room must be fitted with vents of a specified minimum size. Refer to the following figure for additional information.



The dryer door is delivered with hinges on the right.

If the door hinge is to be changed over to the left see page 15.

Water Connection

Attach the dryer water supply hose to a cold water faucet (the faucet must be located within 4 ft (1.2 m) of the water inlet valve on the back of the dryer).

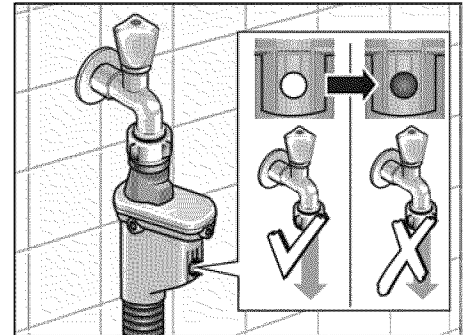
It is recommended to have a water supply pressure of 20 – 100 psi (1.37 – 6.89 bar) for best performance.

A “Y” connector is provided along with a short hose (if needed) in order to connect it to the cold water faucet.

AQUASTOP® Hose

NOTICE

Properly secured EXTERNAL hose connections are the sole responsibility of the customer. The manufacturer assumes no responsibility or liability for improperly installed EXTERNAL hose or other connections.



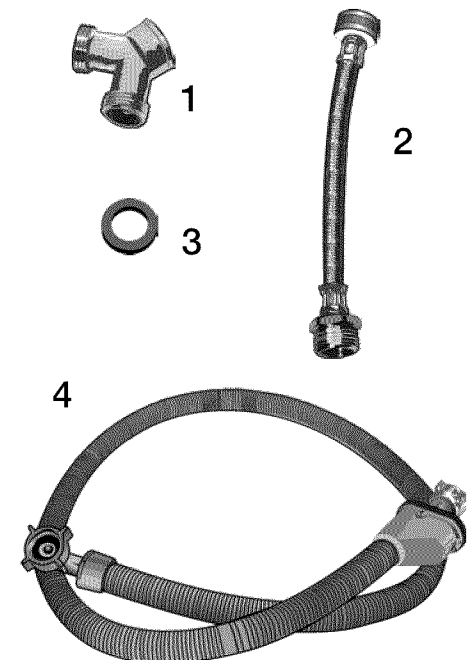
The AQUASTOP® Hose prevents potential flooding if the hose leaks.

If the hose leaks, a red mark is displayed and the water inlet is blocked.

- An AQUASTOP® Hose that has activated cannot be reset. Contact Customer Service for a replacement hose (see page 26).

MISTCARE™ Dryer Parts Supplied

The following parts are included with the shipment of your dryer.

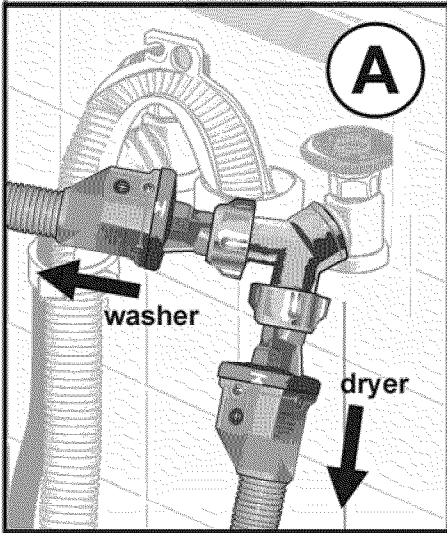


1. "Y" connector
2. Short metal-braided inlet hose
3. Rubber washer
4. AQUASTOP® Hose

Connecting the Inlet Hose

i The dryer must be connected to the "Y" connector using the **AQUASTOP®** Hose. Do not use an old hose.

1. Turn off the cold water faucet and remove the washer water supply hose.

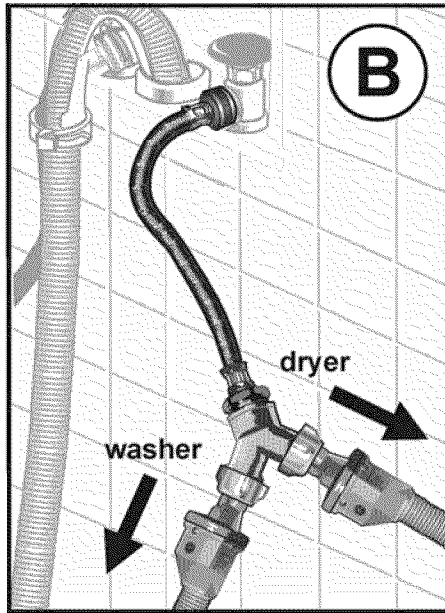


2. Check to be sure that the rubber washer is fully inserted and seated in the female end of the short hose prior to continuing. The rubber washer is shown as item 3 in the supplied parts illustration. It is illustrated separately from the hose for clarity.

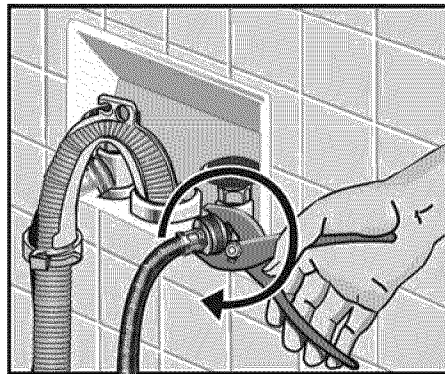
3. If space permits, attach the internally threaded (female) end of the "Y" connector directly to the cold water faucet (option **A** as shown in the illustration above) and continue to step 6.

For optional Installation with Y Connector

If the "Y" connector cannot be attached directly, use the short hose provided to connect the "Y" connector to the cold water faucet (option **B** as shown in the illustration shown), **and continue with steps 4 through 5.**



4. Attach the short hose to the cold water faucet. Tighten the connection by hand until the coupling is seated on the faucet.
5. Use pliers to tighten the connection an additional two-thirds turn.

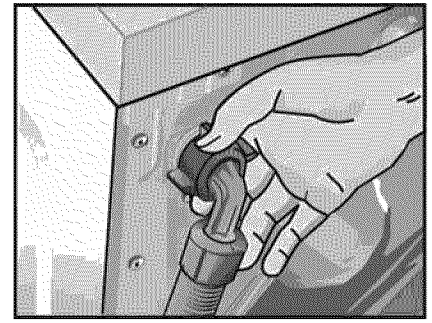


- i** Do not overtighten. Damage to the coupling could result.
6. Attach the "Y" adapter to the short hose. Tighten the coupling by hand until it is firmly seated on the hose.

7. Attach the washer cold water supply hose to the "Y" connector. Hand tighten.
8. Attach the dryer **AQUASTOP®** Hose to the other coupling of the "Y" connector. Hand tighten.

9. Tighten all three couplings on the "Y" connector an additional two-thirds turn using pliers.

- i** Do not overtighten. Damage to the coupling could result.



10. Attach the right-angle connector on the **AQUASTOP®** Hose to the inlet valve located at the top left of the dryer.

- i** Check to see that the rubber washer does not fall out, and is properly seated in the right-angle connector.

11. **Hand tighten** the coupling until it is seated on the connector. Do not use pliers, hand tighten only.

- i** Do not overtighten. Damage to the coupling could result.

12. Turn on the water faucet.

13. Check for leaks around the "Y" connector, faucet and all hoses.

Electrical Connection



WARNING

Power cord must be connected by a qualified technician or a licensed electrician only.

Connect to individual Branch Circuit.

Do not use an adapter.

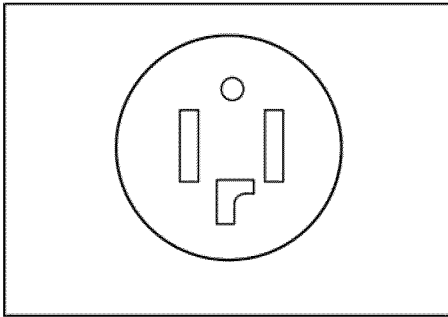
Do not use an extension cord.

Do not remove ground prong.

For CANADA

Your dryer comes with a power supply cord, CSA listed in Canada.

The Bosch dryer requires a 4-wire receptacle.



When installing the receptacle for the dryer cord, ensure that the power supply cord is accessible when the dryer is in the installed position.

The power cord should only be replaced by a qualified technician or licensed electrician. If you must replace the power cord that was originally supplied with your appliance, the power cord must meet the following requirement:

- 4-wire only
- UL and CSA listed
- 208 – 240 volt rated (minimum)
- 30 amps
- Type SRDT
- Five feet long (minimum)

Refer to page 39 for 4-wire installation instructions.

Grounding instruction

This appliance must be grounded. In the event of a malfunction or breakdown, grounding will reduce the risk of electric shock by providing a path of least resistance for the electric current.

Additional grounding procedure

- Never ground the dryer to plastic plumbing lines, gas lines or water pipes.

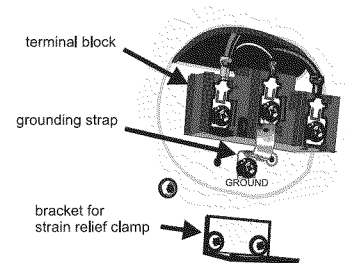
Connecting the Power Supply (4 wire)



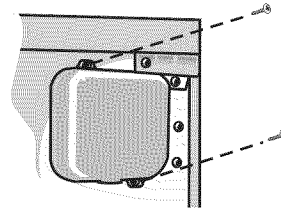
WARNING

Improper connection of the equipment grounding conductor may result in electric shock. Have the appliance checked by a qualified technician or licensed electrician if you are in doubt as to whether the dryer has been properly grounded.

Do not plug the end of the power cord into a live receptacle before connecting power cord to appliance terminals and closing the junction/splitter box as described below.

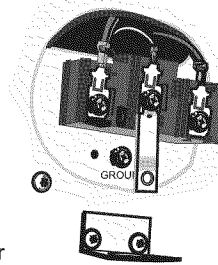


- 1 Remove the two screws from the terminal block cover located at the top rear of the appliance. This will expose the terminal block assembly.

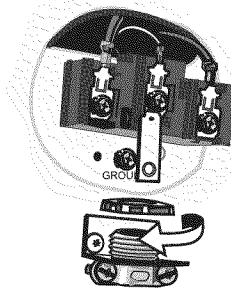


- 2 Loosen the bottom screw of the grounding strap. Straighten the grounding strap so it is vertical. Replace the green screw in the GROUND terminal hole.

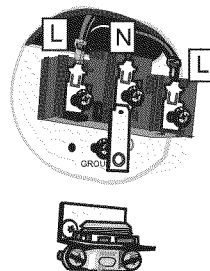
i Make sure the grounding strap does not touch the back panel to avoid tripping the circuit breaker during dryer operation.



- 3 Fix a strain relief clamp (available from an electrical or building supply outlet) to the angle bracket. Tighten the nut to firmly fix the clamp in place.



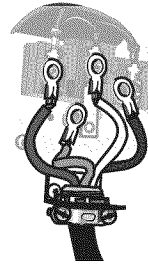
- 4 Loosen the 2 screws labeled L and the single screw labeled N on the terminal block. Also loosen the screw on the GROUND terminal.



Continued on the next page

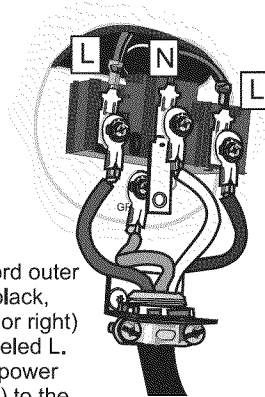
4 wire installation

- 5** Thread the 4-wire cable through the strain relief clamp. Tighten the strain relief clamp screws (2.5 Nm) so that the power cord cannot be moved.



- i** This will hold the power cord in place and will make it easier to correctly install the terminal screws.

- 6** Attach the power cord ground conductor (green) to the GROUND terminal. Tighten the screw (2.5 Nm) so that the ground conductor is held securely in place.



Attach the 2 power cord outer conductors (red and black, either one can go left or right) on the 2 terminals labeled L. Attach the remaining power cord conductor (white) to the terminal labeled N.

- i** Make sure the terminal screws align properly with the terminal nuts to avoid stripping the threads.

- 7** Tighten all 3 terminal screws (3 Nm) so that each of the wires is held securely in place.



WARNING

After tightening the screws, test to see that the terminals are held securely in place to assure proper electrical connection, otherwise a hazardous condition could result.

- 8** Check the strain relief clamp to make sure that it is tight and cannot be turned.

- 9** Replace the cover on the terminal block and fasten it in place.

- i** Make sure the strain relief clamp is outside the cover!

- 10** The appliance is now ready to be plugged into a properly rated receptacle.

Exhaust air connection

The following warnings must be adhered to without exception.

WARNING

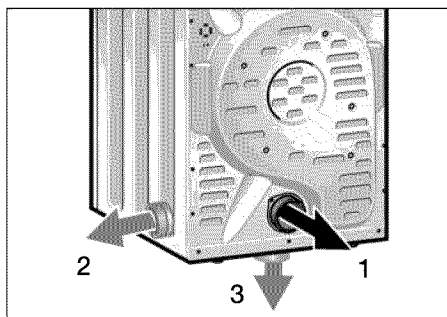
1. To reduce the risk of fire, this dryer **MUST BE EXHAUSTED OUTDOORS**.
2. To reduce the risk of fire, do not use ductwork longer than recommended. Refer to the maximum ductwork length table (see page 14).
3. **DO NOT** use a plastic, metal foil, or any other non-metal duct with this dryer. Only rigid or flexible metal duct shall be used for exhausting. Metal foil and flexible metal ducting are **NOT** the same.
4. **DO NOT** use more than 2.4 m of flexible metal ducting.
5. **DO** use a duct that is 4 inches (102 mm) in diameter.
6. **DO NOT** exhaust the dryer into: a chimney, wall, ceiling, concealed space of a building, furnace cold air duct, attic, crawl space, or any other ductwork used for venting.
7. **DO NOT** install a flexible duct in an enclosed wall, ceiling or floor.
8. **DO NOT** crush or kink the duct.
9. Do clean and inspect the exhaust system on a regular basis; at least once a year.
10. The exhaust duct must terminate with an approved exhaust vent hood to prevent back drafts or entry of birds or other wildlife.
11. **DO NOT** use exhaust hoods with magnetic latches.
12. **DO NOT** assemble the duct work with screws or fasteners that extend into the duct. They serve as an accumulation point for lint. Joints should be secured with aluminum tape.

Exhaust air outlet on the dryer

The dryer is delivered with an exhaust air outlet on the rear of the appliance.

To take account of the spatial requirements and an existing exhaust air system, the following connection options are possible for the exhaust air outlet:

- on right side of the appliance,
- on the underside of the appliance.



- 1 – Exhaust air outlet on the rear of the appliance (standard)
- 2 – Exhaust air outlet on the side (optional)
- 3 – Exhaust air outlet on the underside of the appliance (optional)

Special exhaust air connections can be obtained from your dealer, part supplier or customer service for either connection type (see page 15).

- Side exhaust kit
- Bottom exhaust kit

A qualified technician should change the exhaust air outlet to the optional connection location.

Ductwork

The dryer vent system moves moist air away as your clothes tumble dry. You can shorten drying times, save energy and help ensure the safety of the system by making sure your dryer's exhaust duct system is properly installed and maintained.

Important Points to Consider:

- Keep exhaust duct runs (total length of the exhaust duct system from the dryer to the exhaust hood outside) as short as possible (refer to the table "Maximum Ductwork Length" on page 14.)
- Use the minimum number of elbows needed when installing the exhaust duct system. Avoid placing two 90 degree elbows adjacent to one another.

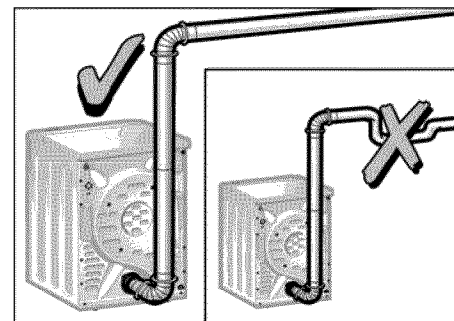
- Check and clean the exhaust duct system and exhaust hood at least once each year, and any time you suspect dryer performance is decreased.

Remove accumulated lint to prevent diminished air flow or clogging of the system. Professional cleaning is recommended annually and when attaching your dryer to a previously used exhaust duct system.

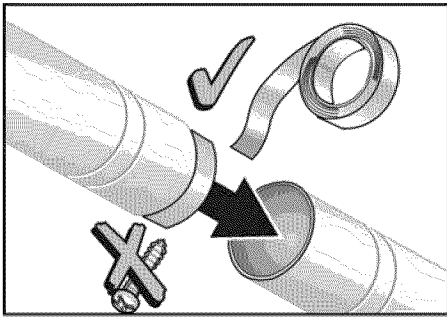
- Replace any plastic or metal foil venting sections with rigid metal or flexible metal ducting. Rigid metal ducting is recommended.

i Correct exhaust system installation is the responsibility of the consumer.

Problems that result from incorrect installation are not covered by the appliance warranty.



Exhaust ducting which is longer than specified in the maximum ductwork length table on page 14 is not permitted. Not adhering to this table will extend drying time, cause lint to accumulate and affect dryer performance and dryer life-time.



All joints should be tight to avoid leaks. The male end of each duct section must point away from the dryer.

Whether connecting to an existing venting system or a new venting system, make sure that all ducting is clean and free of lint.

The maximum permitted length for rigid duct and for rigid duct used with flexible metal duct is shown in the table below. If using flexible metal ducting to connect the appliance to the ductwork system, the total length of flexible metal duct used shall not exceed 2.4 m and can only be used to connect the dryer to the ductwork system. As the table below shows, the maximum overall ductwork length is reduced if flexible ducting is used.

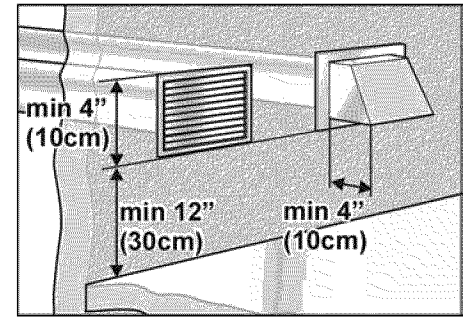
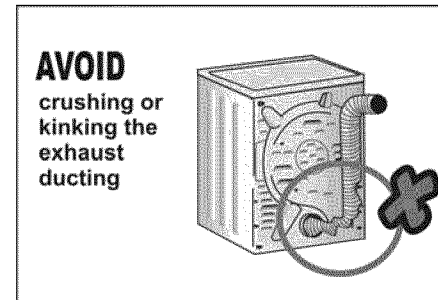
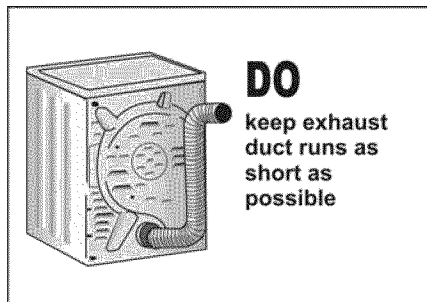
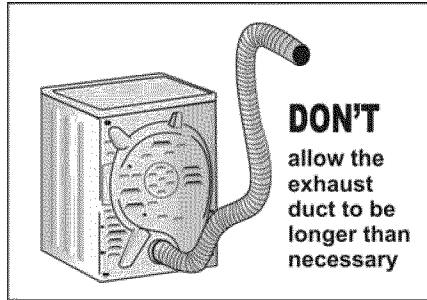
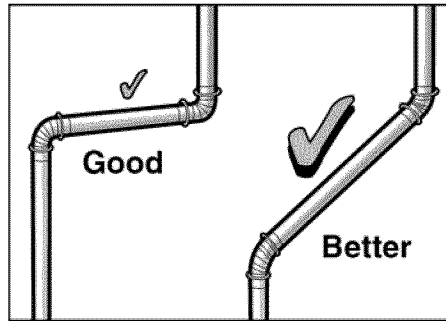
Maximum Ductwork Length

Number of 90° Turns or Elbows	Rigid Duct	Flexible Duct in Combination with Rigid Duct
0	66 ft. (2011 cm)	45 ft. (1372 cm)
1	56 ft. (1707 cm)	36 ft. (1097 cm)
2	48 ft. (1463 cm)	29 ft. (884 cm)
3	39 ft. (1189 cm)	22 ft. (671 cm)
4	30 ft. (914 cm)	16 ft. (488 cm)

Note:

Side and bottom exhaust installations have a 90° turn inside the dryer. Take this into account when using the table above.

More than two 90° turns are not recommended. For best performance, separate all turns by at least 4 ft. of straight duct, including distance between last turn and exhaust hood.



Required Ductwork Parts

The parts required for the exhaust air system (elbows, lines, exhaust air outlets) are not included in standard delivery of the dryer (see the Accessories section for information on ordering parts.)

Professional installation of ductwork is recommended.

Exhaust vent hood

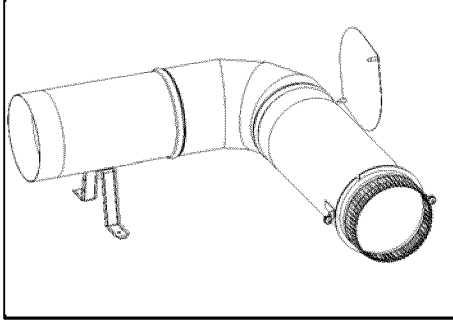
The exhaust duct must end with an approved exhaust vent hood with swing out damper(s). DO NOT use an exhaust vent hood with magnetic latches.

To avoid exhaust restriction, the outlet must be a minimum of 12 inches (30 cm) above ground level or any other obstructing surface.

Accessories

The following optional accessories for your dryer may be obtained from customer service (see page 26) or from your local dealer. Please follow the installation instructions supplied by the appropriate manufacturer.

Side exhaust kit



part no. **WTZ 1265**

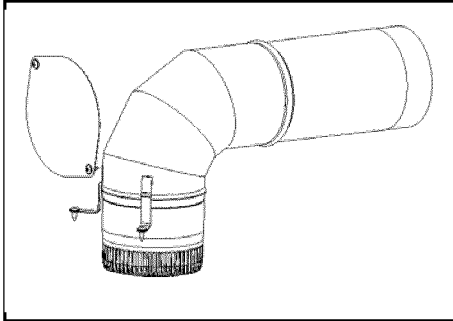
Note:

See notes on maximum number of elbows on page 14.

i A special tool is required for cutting the exhaust hole in the dryer side panel.

For further information please contact your local dealer.

Bottom exhaust kit

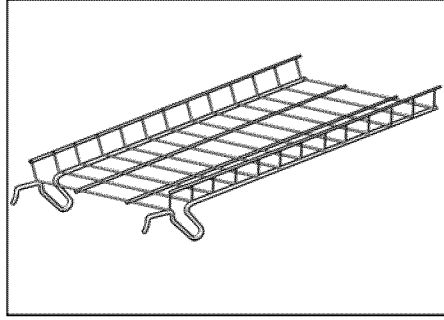


part no. **WTZ 1270**

Note:

See notes on maximum number of elbows on page 14.

Dryer rack



part no. **WTZ1290**

Use the dryer rack to dry washable woolen textiles (e.g. sweaters) and shoes.

Left hinge kit

part no. **WTZ1260** for white

part no. **WTZ1260S** for solid silver tone and for duo-tone color

The door is hinged on the right side at the factory. The door catch can be reversed if necessary. Please contact your dealer or our customer service team (see page 26)

Pedestal Mounting Kit

8 inch pedestal accessory number

WTZ 1295 for solid white color

WTZ 1295S for solid tone silver

WTZ 1295P for duo tone silver/white

15 inch pedestal accessory number

WTZ 1500 for solid white color

WTZ 1500S for solid tone silver

WTZ 1500P for duo tone silver/white

WTZ 1500C for duo tone champagne/white

If mounting the dryer on the pedestal follow the instructions supplied with the pedestal before proceeding any further.

Preparing to transport the dryer – step by step

i These procedures should only be performed by a qualified person.

1. Rotate the program selector to "OFF".
2. Disconnect the power supply (turn circuit breaker off, unplug the appliance)
3. Turn off the water faucet connected to the water supply hose. Disconnect the water supply hose.
4. Disconnect the exhaust duct from the exhaust air outlet on the dryer.
5. Collect any accessories and package them for shipment with the appliance.
6. Close the door and secure with adhesive tape.
7. Screw the height-adjustable feet of the dryer into the housing to prevent them from being damaged during transportation.
8. **Reinstallation of the Dryer at the New Location** – refer to the Installation Instructions in this manual (see page 6).

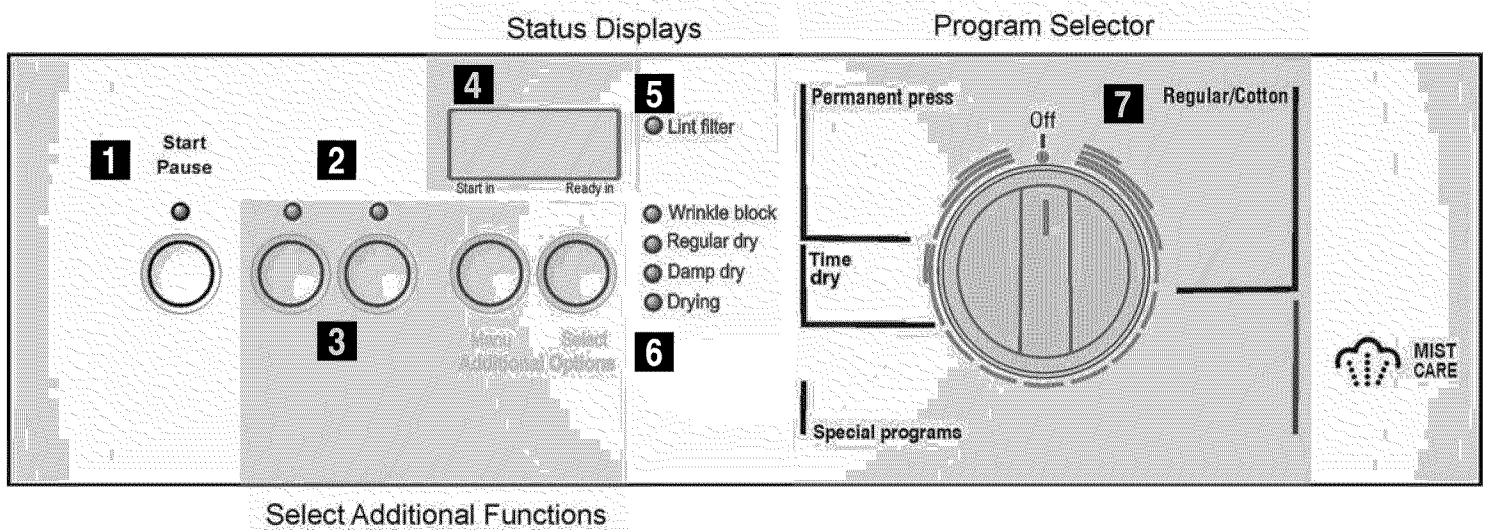
OPERATING INSTRUCTIONS

Before using

WARNING

Before using your dryer, read and follow all installation and operating instructions.

Panel



1 Start/Pause button

Starts, interrupts and ends the drying process.

Start/Pause LED Status

Lit Red: Program is running and "Pause" can be activated.

Blinking: Settings can be changed, the drying cycle can be started, or program is in "Pause" mode.

Not Lit: Program is finished or there is no program selected.

2 Option buttons

Add functions to the program selected. The option button LED is lit when the option is selected. Press the option button again to turn the option off (LED turns off).

Delicates low temp: Press for temperature-sensitive textiles (e.g. acrylic fibers). The temperature of the drying process is reduced, the drying time is extended correspondingly.

ECO e: Press for additional energy savings (use only for cotton and permanent press auto programs). Press the option button prior to starting an automatic program.

3 Signal (500 Series)

Press the two option buttons at the same time to enable an acoustic signal that indicates the end of the program (see page 46). The 800 Series signal is set on the LCD menu (see page 20).

4 Display

500 Plus Series

Indicates the estimated remaining time of programs.

800 Series

Indicates the settings of the additional options and the estimated remaining time of programs. (See page 20)

Additional Options

Menu selects one of the additional options

Select changes the settings of the selected option

5 Lint Filter LED

Blinks as a reminder to clean the lint filter before and after use. Lit (steady) when the door is opened during a program, or in the event airflow is reduced enough to create an E:01 error (see troubleshooting guide, page 25).

6 Indicator Lights

LED'S light up in sequence to show the current moisture state of the drying process.

Wrinkle block – at the end of the drying program an acoustic signal sounds and the Wrinkle block LED lights up. The drum rotates at specific intervals for one hour to prevent the laundry from creasing (see page 18).

7 Program Selector

Switches the machine on and off and selects the program (see page 18). Can be turned in both directions.

To switch off the dryer, rotate the program selector to "Off".

Additional Safety Information

WARNING

Always follow the IMPORTANT SAFETY INSTRUCTIONS (see page 4).

Protection of the environment

Tips on saving energy

To save energy, money and time, Bosch recommends the following:

- **Drain the laundry thoroughly!**
Before drying, spin the laundry thoroughly in the washing machine. Use the highest possible spin speed for the type of laundry! Higher spin speeds reduce the drying time and the energy consumption.
- **Use optimum load!**
Use maximum recommended loads. However, do not exceed loads.
- **Clean filter!**
Clean the filter before and after each drying process (see page 22).
- **Ventilate the room!**
During the drying process provide an adequate supply of fresh air.
- **Do not dry unsuitable materials!**
Do not dry rubberized or air-tight items.
- **Clean and inspect the exhaust system on a regular basis!**
Blockages may extend drying time or may cause the dryer to malfunction.

Temporary disconnection of the dryer

Operate your dryer only when you are at home. If you intend going on vacation or are not using your dryer for an extended period of time, you should:

1. Turn off the circuit breaker.
2. Pull out the power supply plug if possible.
3. Clean the lint filter.
4. Turn off the water supply.

Laundry

Identification of fabrics

Observe the treatment symbols on the textile labels. They provide valuable information as well as limitations about the drying process.

Do not dry the following textiles in the dryer:

- Air-tight textiles (e.g. rubberized)
- Delicate fabrics (silk, synthetic curtains)

i Dry woolen or wool-rich textiles with dryer rack only!

i Use the time program "Air fluff/No heat" to dry articles containing foam rubber or similarly textured rubber-like materials.

Drying tips

In principle, the following applies to all drying programs:

- To ensure a uniform drying result, sort the laundry according to fabric type and drying program.
- Fasten zippers, hooks and eyes. Fasten loose belts, apron strings, etc..
- Do not overdry easy-care laundry – risk of wrinkling! Leave laundry to dry in the air.
- Do not iron laundry immediately after drying. Place the laundry in a pile for a short while. Residual moisture will then be distributed uniformly.
- Knitted textiles (e.g. T-shirts, cotton jersey laundry) often shrink when dried for the first time. Do not use the "Very dry/Extra dry" program.

Program selection

For optimum drying results your dryer offers several program groups and additional options.

Automatic programs include Regular/Cotton and Permanent press. Program selection is based in part on the laundry fabric type. These programs are controlled via moisture sensors. Program time is determined by the measured degree of moisture in the laundry and on the degree of dryness selected (e.g. Damp dry, Regular Dry, Extra Dry).

Time programs run for a user specified length of time. The Air fluff/No heat timed cycle uses ambient air (room temperature) without a heat supply and runs for 20 minutes.

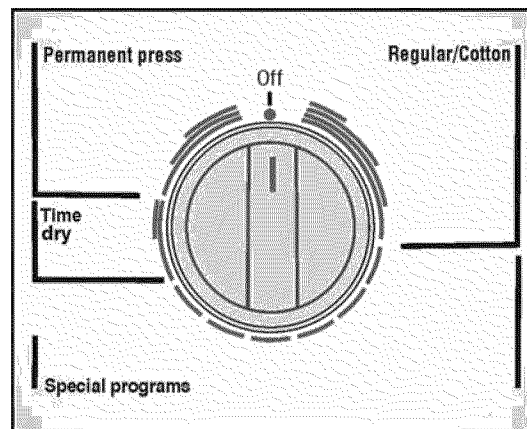
Special programs are custom designed for specific types of fabric such as wool or jeans. Wool or woolen products should only be dried using the dryer rack.

MISTCARE® cycles are best suited for smoothing out wrinkles and reducing odors. These programs should be used with loads consisting of three to four items made of wrinkle free cotton, cotton/polyester blend, cotton knit pullovers or synthetics.

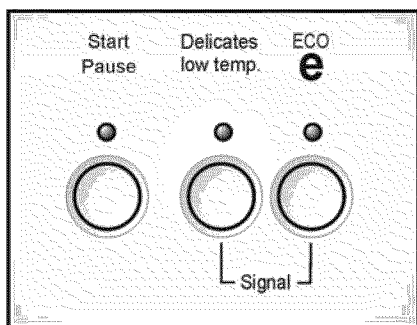
During this cycle a small amount of water is sprayed into the drum while tumbling with heat. This process is repeated, followed by additional tumbling and a brief cool down period. The heat level and time are preset for these programs.

Note: Results may vary with fabric type. Garments that are 100% cotton and have wrinkle-resistant finish may give better results.

If the nozzle stops spraying during one of the **MISTCARE®** cycles (symptoms would be water is not seen spraying into drum, clothes are less wrinkle-free than they customarily are with this function) check to be sure the nozzle is not clogged. Lint may accumulate to block the nozzle tip or hard water may cause buildup on the nozzle (see page 26).



Option Buttons



Delicates low temp.

Press the "Delicates low temp." button for temperature sensitive textiles. Observe the care information or symbols on the textiles. The temperature of the drying process is reduced, the drying time is extended.

ECO e

Your dryer has an "energy savings" ECO option. This option is used only with cotton and permanent press automatic programs. Less heat is applied, and drying time is extended. Press the option button prior to starting an automatic program.

i The "energy savings" of the ECO e program is affected by the load size, textile type and climatic conditions.

i Combining with the Delicates low temp. button can produce more savings.

Signal 500 Series

Your dryer outputs different signals for certain events. You may enable or disable the signal by simultaneously depressing the buttons shown. The following audible tones will be generated indicating the status of the appliance.

Signal	Type
Start	Short tone
End	Sequence of short tones
Mal-operation	Sequence of long tones
Warning of malfunction	Sequence of long tones

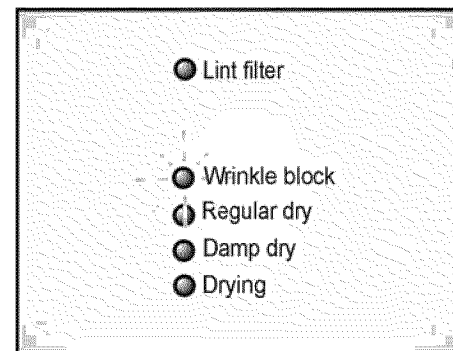
i The signal "Warning of malfunction" is active regardless of whether or not the signal has been disabled.

LED Indicators of Program Sequence

The dryer uses an electronic scanning system for all programs except the time programs. A moisture sensor continuously checks the moisture in the laundry. Drying ends automatically as soon as the selected degree of dryness has been reached.

The drum continues to rotate at specific intervals for one hour to prevent creasing.

The current degree of drying and the level reached during the program sequence is indicated via indicator lights (Drying, Damp dry, Regular dry, Wrinkle block).



i If the indicator light "Wrinkle block" illuminates when the program selector is in Off-Position – turn off the circuit breaker and call for customer service!

Automatic Programs

Regular/Cotton ECOSENSOR

For Cottons and coloreds made of cotton or linen. Press the “Delicates low temp.” option button for temperature-sensitive textiles.

Damp dry	Bed linen, table linen, towels	to be ironed
	Bed linen and table linen, towels, T-shirts, sports shirts, overalls	
	T-shirts, sports shirts, dresses, trousers, overalls, underwear	
Regular dry	Terry towels, kitchen towels, hand towels, bed linen, underwear, cotton socks	not to be ironed
Very dry	Terry towels, kitchen towels, hand towels, bed linen, underwear, cotton socks	not to be ironed, thick multi-ply
Extra dry	Terry bathrobes and terry bed linen,	particularly thick or multi-ply

Permanent press ECOSENSOR

Easy-care (drip-dry) laundry made of synthetic and blended fabric (e.g. cotton/polyester). Press the “Delicates low temp.” button for very temperature-sensitive textiles.

Damp dry	Trousers, dresses, skirts, shirts, blouses, leggings, sports clothing with synthetic-rich fibers, lingerie	not to be ironed or only lightly ironed
Regular dry	Shirts, blouses, sports clothing	not to be ironed
Very dry	Bed linen and table linen, track suits, comforters, blankets	not to be ironed, thick multi-ply

MISTCARE® Programs

MISTCARE® Refresh	Cotton, cotton–polyester blends, common knits and synthetic shirts, cotton blend pants, skirts, t–shirts and pullovers. Wrinkle free fabrics give best results. Helps smooth out wrinkles and reduce odors. Use with a light load, such as one consisting of 3 to 4 shirts. Program time is about 16 minutes.
MISTCARE® Wrinkle relax	Helps smooth out wrinkles. Use with a light load, such as one consisting of 3 to 4 shirts. Program time is about 12 minutes.
MISTCARE® Touch up	This program is used to refresh a cotton textile load that has been dried and has been left in the drum of the dryer at the end of the cycle overnight. This 20 minute program refreshes the load to help smooth out the wrinkles caused by the load pressing down under its own weight.
	Clothing containing foam, rubber, or plastic must be refreshed on a clothes–line or by using the Air–fluff/No heat cycle as these articles may ignite due to the heat of the MISTCARE® program.

Special Programs

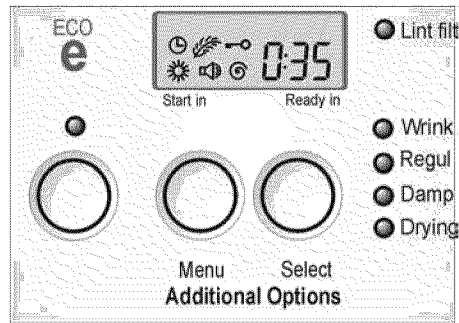
Wool	Washable woolen textiles (e.g. sweaters, woolen pullover, skirts) Dry woolen or wool–rich textiles with dryer rack only!
Jeans	Heavy jean fabric
Quick (800 Series)	Small loads, loads that need a short drying time (e.g. sports shirts, work–out clothes (cotton, synthetic))

Time Programs

30 min., 60 min. (500 Series) Medium + required drying time (800 Series) (800 Series) If you choose a program with variable time (e.g. time programs, wool care) the display starts to flash. You have to set the time.	Pre-dried textiles with low moisture content, individual small items, e.g. bath towels, bathing suits, dish cloths. For the smallest loading condition from 0.22 lb – 0.44 lb (i. e. one small towel), for this a time dry program should be selected Press the “Delicates low temp.” button for temperature-sensitive textiles option. – Cottons and coloreds made of cotton or linen.
Air fluff / No heat (500 Series) Air fluff / No heat + required time (800 Series)	Freshening or airing little worn items of clothing and drying of extreme sensitive textiles. For all textile types inclusive foam rubber (e.g. pillows, stuffed toys), plastic (e.g. shower curtains, table clothes), rubber (e.g. backed rugs), sheer nylon, olefin.

Additional options 800 Series

i Before setting additional options, choose a program with the program selector!



Select the option to be changed with the “Menu” button. Press the button to move to the next option on the display. The active symbol starts flashing.

The current active option setting is displayed on the right.

These settings can now be changed with the “Select” button. Press the button to jump to the next possible setting.

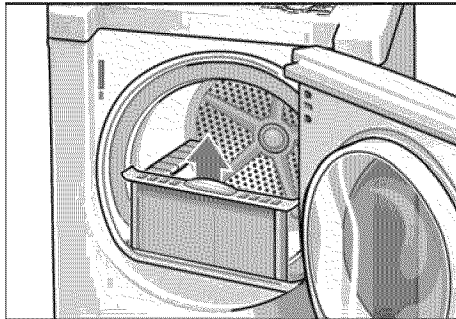
i Pressing the “Menu” button again, saves the previously settings. If you don’t press any button for 10 seconds the settings are saved automatically.

Symbol	Function	Settings	Explanation
	Sets the delay start time of the dryer (Start in .. hours!)	0–12 h (0.5 h steps)	
	Extra care (more gentle than “Delicates/low temp.”)	On/Off	If you have chosen the additional option “Extra care” the “Delicates/low temp.” indicator light illuminates. Pressing the “Delicates/low temp.” button cancels the additional option “Extra care”.
	Child-proof lock (only effective while the program is running)	On/Off	This additional option allows you to lock your settings to prevent unintended use of the dryer. To start the dryer when the Safety guard is active: Press and hold the “Start/Stop” button for 4 seconds. To unlock this additional option when the dryer is running: Press and hold the “Start/Stop” button for 4 seconds.
	Extra Drying Time User selectable degree of dryness	0, 1, 2, 3 (0=default, 1=dryer, 3=dryest)	If you have chosen the steps 1 to 3 of the additional option “Degree of dryness” the symbol ☀ is displayed. 0 is standard setting – symbol ☀ is not displayed.
	Volume of the end signal and the damp dry signal	Off, medium, maximum	Your dryer outputs different signals for certain events. You may enable or disable the signal by simultaneously depressing the buttons shown.
	Spin speed optimized drying time coordinates the remaining time displayed for the dryer to the spin speed at which the laundry was previously spun in the washing machine	400 600 800 1000 1200	To optimize the remaining time display, the spin speed at which the laundry was previously spun in the washing machine can be entered by the user.
			Event
			Signal
			Enable Signal
			Short tone
			Disable Signal
			Two short tones
			Start Cycle
			Short tone
			End Cycle
			Sequence of short tones
			Mal-Operation
			Sequence of long tones
			Warning of Malfunction
			Sequence of long tones (maximum volume)

Operation

Using the dryer

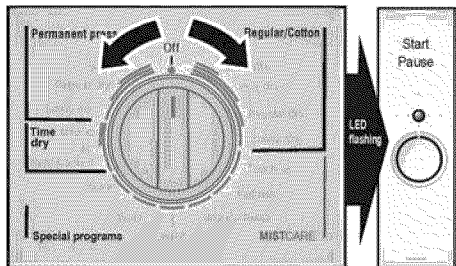
1. Open the door.



2. Check lint filter.

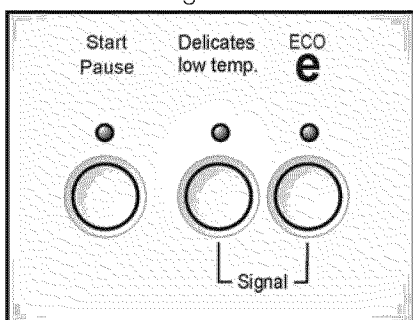
The filter should be cleaned before and after using the dryer. Cleaning the filter reduces the drying time and saves energy. (See page 22 for lint filter cleaning instructions).

- i** Bleach may cause discoloration of the dryer's colored surface. Therefore, it is important to keep bleach away from the colored surface of your dryer. If any bleach spills on the surface, use a moist paper towel to thoroughly clean it immediately.



3. Rotate program selector to the desired program. Select the program which corresponds to the laundry in the dryer from the program selection table (see page 18). The dryer light turns on inside the drum.

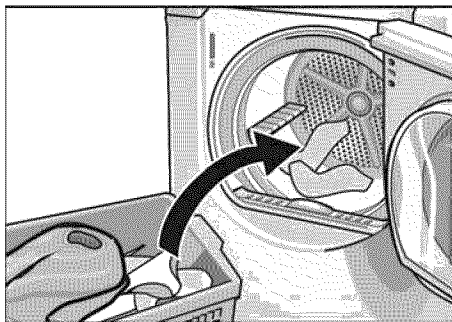
- i** The "Start/Stop" indicator light starts flashing.



4. If required, select an available option ("Delicates low temp" or "ECO e") by pressing the corresponding button (see figure above).

All available "Options" are explained on page 18.

- i** The estimated remaining time will be displayed.

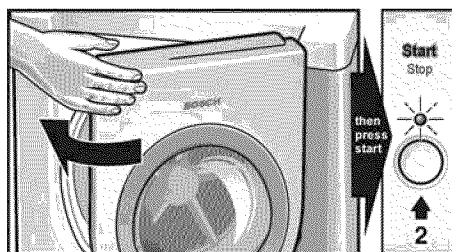


5. Place laundry in the empty drum. Put each piece of laundry into the machine separately. For best results the laundry to be dried must be sorted according to type of laundry and desired degree of drying. For further information see page 17.

- i** Observe drying symbols of the laundry manufacturer. If drying woolen clothing and shoes, see the information on page 22.

Ensure that there is only laundry in the drum. Check that all items are completely in the drum.

6. Close the door.

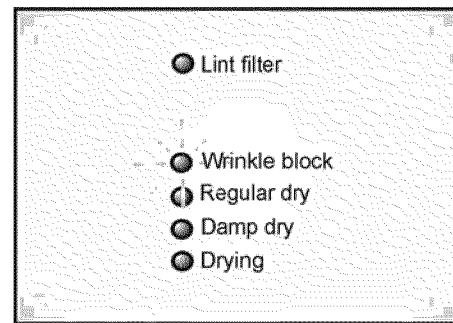


The "Start/Stop" indicator light continues flashing.

- i** If the door has not been closed properly, the dryer will not start.
7. Press the "Start/Stop" button. The "Start/Stop" indicator light illuminates.

- i** The program starts with an acoustic signal (if set).

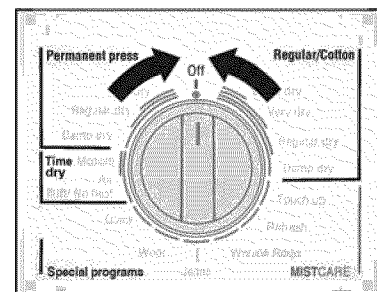
If a standard program has been selected, the indicator lights indicate the progress of the program sequence.



- i** At program end an acoustic signal is emitted (if set) and the LED "Wrinkle block" illuminates.

- i** When the drying process is complete (program or selected time program ended), the drum rotates at specific intervals for 1 hour. This prevents the laundry from creasing. The laundry remains loose and fluffy until it is removed. The laundry should be removed before this time has elapsed.

8. Open the door.
9. Take the laundry out of the dryer.



10. Rotate the program selector to "Off". The dryer light goes out.
11. Clean the filter. The filter should be cleaned after each drying process. Cleaning the filter reduces the drying time and saves energy.
12. Close the door.

Cleaning the lint filter

A dirty filter extends the drying time and increases energy consumption. The filter should be cleaned before and after each drying process. If a warning signal and an "E:01" warning message are emitted during a drying program, clean the filter immediately and check the exhaust duct.

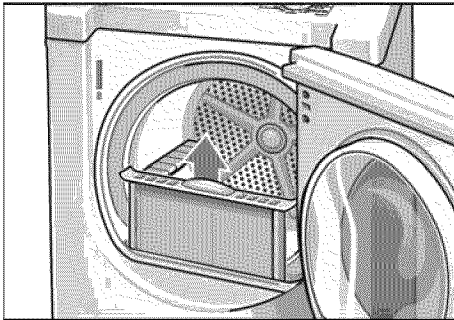
i The program interrupts automatically.

1. Switch off the dryer by turning the program selector to "Off".

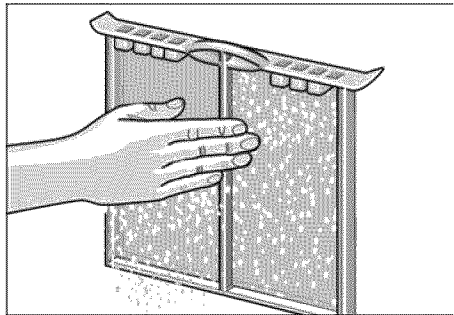
CAUTION

The inside of the door heats up during the drying process.

2. Open the door.

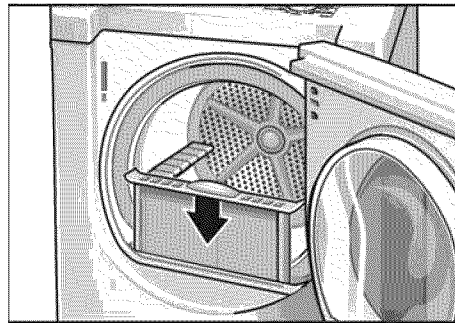


3. Remove the lint filter.



4. Remove lint by stroking your hand over the filter.

The filter should be lightly scrubbed twice a year with warm soapy water. The filter is clean when it no longer holds water. The filter must be dried thoroughly before being replaced.



5. Insert the filter.
6. Close the door.

Using the dryer rack

(Option, see page 15)

Use the dryer rack to dry washable woolen textiles (e.g. sweaters) and shoes. The dryer rack remains stationary while the drum rotates. Damp wool should not be moved, as it has a tendency to matt. Drying shoes without a rack could damage the drum.

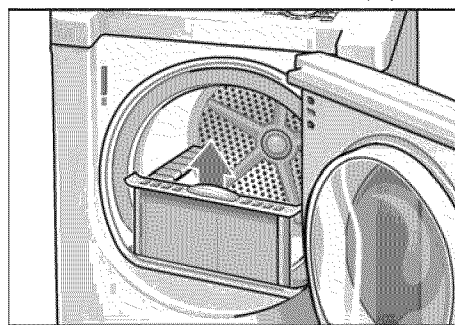
i The dryer rack must be used for drying with the wool cycle. If the rack is not used, the sensor will shut the dryer off after approximately 7 minutes.

NOTICE

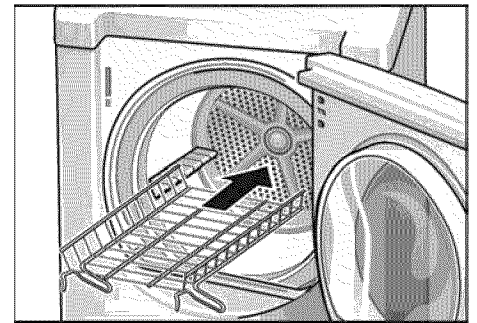
Dry only one item of clothing or one pair of shoes – maximum dry load 2.2 lbs (1 kg)! The laundry must have been spun! Only dry prewashed shoes! The laundry must not touch the drum! It could jam and be damaged. After using the dryer rack, take it out of the dryer immediately.

Inserting the dryer rack

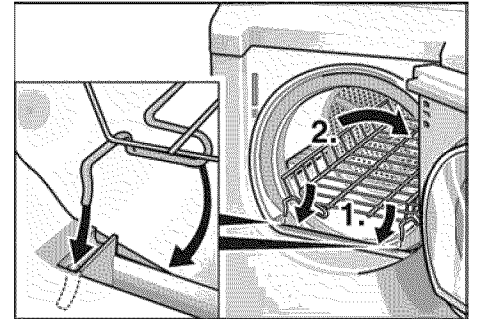
1. Open the dryer door.
2. Check that the drum is empty.



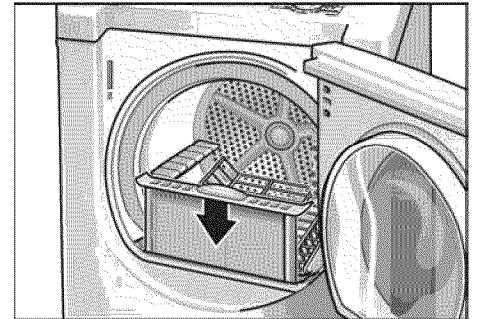
3. Remove the lint filter.



4. Place the dryer rack horizontally into the drum.



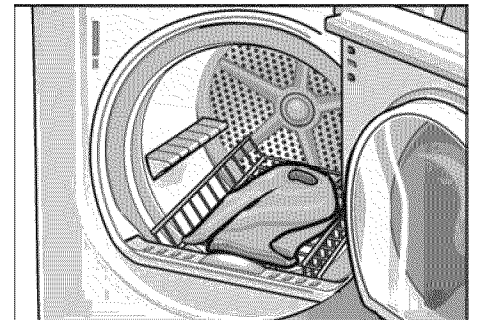
5. Place the dryer rack so that the catches are inserted at the front in the locating holes.



6. Insert the lint filter. The lint filter must be inserted flush with the drum edge!

Drying laundry items on the dryer rack

1. Fold laundry to fit the dryer rack.

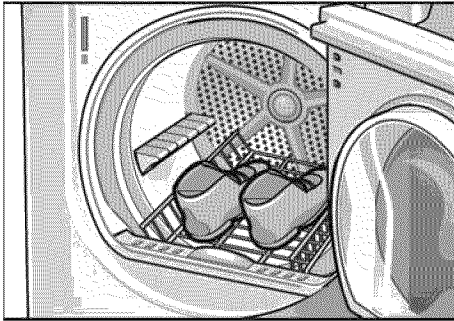


2. Place laundry loosely on the basket. Do not crush! Laundry must not touch the drum! Do not allow items to hang over the dryer rack!
3. Close the door.

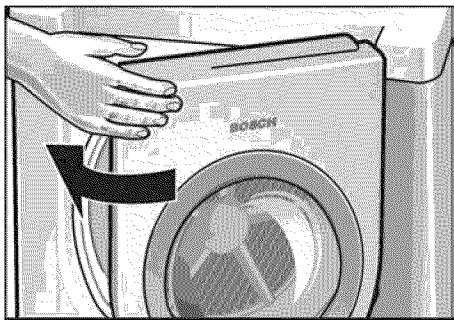
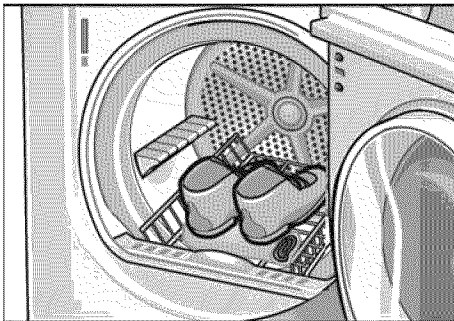
4. Rotate program selector to "Time dry/.... min."
- Select the drying time according to the laundry type.

Drying shoes on the dryer rack:

1. Prepare shoes.
 - Clean shoes to prevent the drum from becoming soiled.
 - If preparing sports shoes, extend the tongue.
 - Loosen or remove shoe-laces.
 - Remove insoles and heel pads.

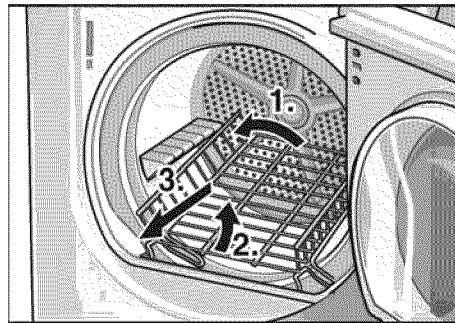


2. Place shoes on the rack.
 - Directly on the dryer rack
 or
 - Roll up a towel and place the heels of the shoes on the towel. This will ensure a more uniform drying result.

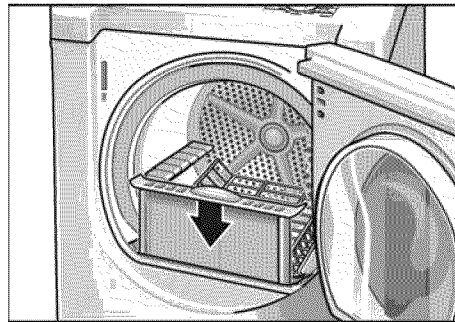


3. Close the door.

4. Press the "Start/Stop" button. The "Start/Stop" indicator light illuminates.
5. If the item of clothing still contains residual moisture after the indicated drying time:
 - Fold the item of clothing so that the damp parts are on the outside.
 - Restart the program and reduce the drying duration depending on the degree of residual moisture.
6. After drying, spread and expose the laundry to air for approx. 15 min. (shoes for approx. 30 min.).
7. Remove the lint filter.



8. Take the dryer rack out of the drum.



9. Re-insert the lint filter.

Cleaning and care

Cleaning the dryer

WARNING

TO AVOID RISK OF EXPLOSION!
Never use solvents or highly flammable liquids for cleaning.

NOTICE

Incorrect cleaning may damage the dryer. Do not spray with a water jet. Do not use scouring agents or all-purpose cleaners. Do not use steam cleaners.

Wipe the housing and fascia with a soft cloth and soapy water only. Wipe the drum, door seal and inside of the door with a damp cloth only.

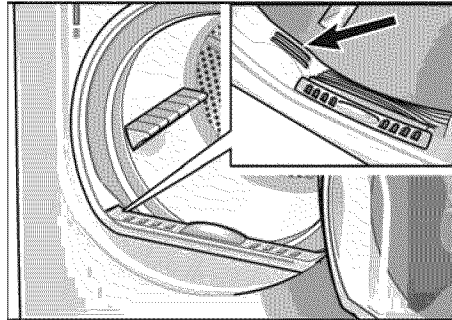
Cleaning the exhaust duct

Inspect and clean the exhaust ducting at least once a year to prevent clogging. A partially clogged exhaust will lengthen the drying time and will result in poor performance of the dryer.

- Turn off the circuit breaker
- Pull out power supply plug
- Disconnect the duct from the dryer.
- Vacuum and reconnect the duct.

Cleaning the moisture sensor

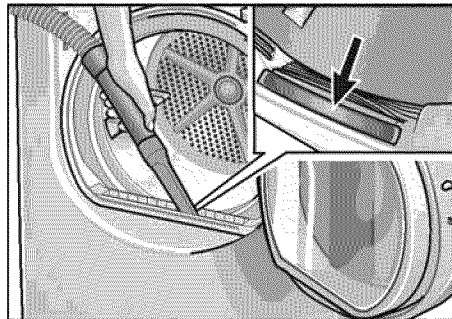
The moisture sensor has to be cleaned because a fine layer of transparent buildup is deposited on the sensors.



This deposit can easily be removed by wiping the sensors (the two bars next to the lint filter) with a cloth and a little white vinegar. Use white vinegar only! Clean the moisture sensor once a month.

Cleaning the bearing shield

Over time, fluff from the drying process collects in the bearing shield.



This fluff can be easily removed using your vacuum cleaner, at least once a month.

Cleaning the MISTCARE™ Nozzle

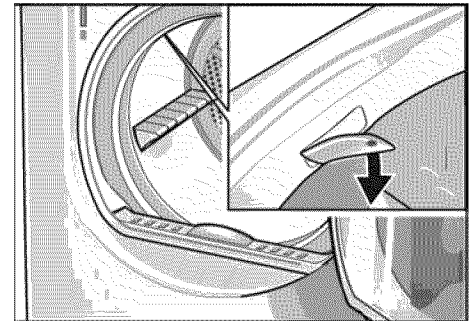
Once a year inspect the nozzle outlet. If you suspect blockage, wipe the outside of the nozzle with a cloth moistened with vinegar. If the nozzle is completely blocked, consult the troubleshooting guide (see page 26) for removal and cleaning instructions. If the nozzle remains blocked, call customer service (see page 26).

Change the light bulb

The dryer light turns on inside the drum when you open the door.

To change the light bulb:

- Set program selector to “Off”.
- Turn off the circuit breaker.
- Pull out power supply plug.
- Open the door and locate the light bulb on the upper left side of the seal.



- Loosen the screw of the cover and open the cover.
- Turn bulb counterclockwise. Replace the bulb with a new appliance bulb only (obtainable through parts department).
- i** Parts are available at www.boschappliances.com or by calling 1-800-944-2904.
- Replace the cover and secure with the screw.
- Plug in dryer or reconnect power supply.

Troubleshooting



WARNING

TO AVOID RISK OF ELECTRICAL SHOCK! Repairs or replacement of parts shall be carried out by qualified technicians or licensed electricians only.

Before calling the customer service, check whether you can rectify the fault yourself by means of the following table.

If a fault cannot be rectified or a repair is required:

1. Set program selector to "Off".
2. Turn off the circuit breaker.
3. Pull the main plug out of the socket.
4. Call customer service (see page 26).

Problem	Possible cause	Remedial action
Dryer does not start. "Start/Stop" indicator light does not illuminate.	Main plug not inserted at all or not inserted correctly.	Insert main plug correctly.
	A fuse of power supply has tripped.	Replace/switch on fuse.
	"Start/Stop" button not pressed.	Press "Start/Stop" button.
	No program selected.	Select program.
	Door not closed.	Close door.
	Ambient temperature below 41°F (5 °C.)	Increase room temperature.
Program has been interrupted. A warning signal is emitted and the display shows "E:01".	Lint filter dirty.	Clean filter as described on page 22. Switch off/switch on again.
	Exhaust air duct is blocked or too long.	Clean exhaust air duct. Reduce exhaust air duct to maximum length as described on page 14. Switch off/switch on again.
	Fault in program sequence or malfunction.	Switch off dryer, leave to cool down for 30 min, switch on again. Restart program.
	The room/cabinet is not adequately ventilated.	Provide an adequate supply of fresh air. Switch off/switch on again.
Degree of drying has not been reached or the drying time is too long. Display may indicate "E:03".	Moisture sensor dirty.	Clean moisture sensor as described on page 24. Switch off/switch on again.
	Exhaust air duct is blocked or too long.	Clean exhaust air extraction. Reduce exhaust air duct to maximum length as described on page 14. Switch off/switch on again.
	Lint filter dirty.	Clean filter as described on page 22. Switch off/switch on again.
	Laundry was too wet.	Spin laundry at higher speed in the washing machine. Switch off/switch on again.
	Unsuitable program selected.	Select program with aid of the program selection table (see page 18). Switch off/switch on again.
	Maximum drying time was exceeded.	Clean lint filter (see page 22). Check exhaust air extraction. Spin laundry at a higher speed in your washer.
	Motor limit temperature was exceeded.	Switch off dryer, leave to cool down for 30 min. Switch on again. Start program.
	Degree of dryness not correctly set	800 Series, Change settings for degree of dryness, see page 20
Drum light does not function.	No program selected.	Select program.
	Light bulb defective, light bulb burned out.	Change light bulb, see page 24.
	No power supply.	Guarantee power supply.
	Light bulb is loose.	Tighten light bulb. Remove and reinstall the cover as directed on page 24.
"Start/Stop" indicator light does not illuminate. "Wrinkle block" indicator lights. The display shows "000".	Fault in program sequence or malfunction.	Switch off dryer, leave to cool down for 30 min, switch on again. Restart program.
Lint filter LED is blinking after lint filter has been cleaned	Blinking of lint filter LED is not an indication of a problem. It is used only as a reminder.	No action required. Light will stop blinking.

Troubleshooting (continued)

Problem	Possible cause	Remedial action
Unusual noise: thumping sound	Drum suspension rollers need time to warm up.	No action required. As suspension system rollers warm up thumping will decrease and should stop within 2 to 3 minutes of dryer use
Unusual noise: Steady vibration	Dryer is not level.	Level the dryer (see user manual section "Installation Instructions")
Unusual noise: Rhythmic vibration	Laundry balled up causing load to bounce.	Stop dryer, separate load items, restart dryer.
Water is not sprayed into the unit during MISTCARE™ cycles	Water tap(s) not turned on.	Turn on water tap.
	AQUASTOP® Hose safety feature activated.	Confirm activation of AQUASTOP® Hose by visual inspection of red indicator in hose (see page 8). If red indicator shows (hose is activated) replace hose.
	Blocked nozzle	Remove the nozzle using a 7/16 inch socket wrench. Place the nozzle into a container filled with enough white vinegar to cover the nozzle. Allow the nozzle to soak for five minutes, then scrub the nozzle tip gently with a toothbrush to remove residue. Rinse the nozzle and reinsert it back into the dryer and hand tighten, then tighten 1 additional turn with the wrench.

SERVICE and REPAIR

WARNING

WARNING – Label all wires prior to disconnection when servicing controls. Wiring errors can cause improper operation that could cause serious damage to the appliance or personal injury. Verify proper operation after servicing.

The Bosch dryers require no special care other than the care and cleaning noted above.

i If you are having a problem with your dryer, please refer to the troubleshooting table on page 25, before calling for service.

If service becomes necessary, contact your dealer or installer or an authorized service center. Do not attempt to repair the appliance yourself. Any work performed by unauthorized personnel may void the warranty.

If you are having a problem with your Bosch dryer and are not pleased with the service you have received:

- First, please contact your installer or the Bosch Authorized Service Contractor in your area and explain to them why you are not satisfied. This will usually correct the problem.
- If after working with your installer or service person the problem still has not been resolved to your satisfaction, please let us know by either writing to us at,

BSH Home Appliances Corporation
5551 McFadden Avenue
Huntington Beach, CA 92649
or, calling us at

1-800-944-2904.

Please be sure to include, if writing, or have available, if calling, the following information:

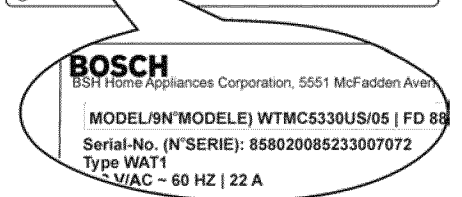
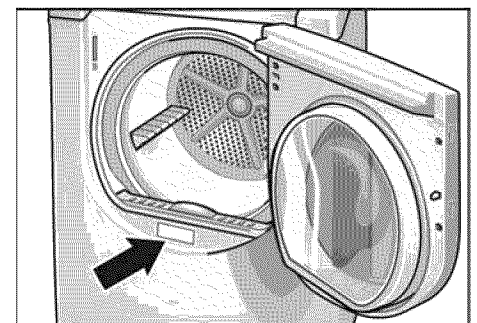
- Model Number
- Serial Number
- Date of Original Purchase
- Date Problem Originated
- Explanation of Problem

Also, if writing, please be sure to include a daytime telephone number and a copy of the sales invoice.

You will find the model number and serial number information on the rating plate located on the inside of the front panel.

The image below shows the approximate location of the rating plate. The model number has a rectangle around it. The serial number is located below the model number.

An example is shown below.



The manufacturer reserves the right to make changes in the product or manual without notification.

STATEMENT OF LIMITED PRODUCT WARRANTY

Bosch Nexxt® Clothes Dryer

What this Warranty Covers & Who it Applies to: The limited warranty provided by BSH Home Appliances Corporation (Bosch) in this Statement of Limited Product Warranty applies only to the Bosch Nexxt® Clothes Dryer (“Product”) sold to you, the first using purchaser, but strictly conditioned on the Product having been purchased: (1) for your normal, household (non-commercial) use, and has in fact at all times only been used for normal household purposes (any commercial use or setting of the Product automatically voids the warranty); (2) new at retail (not a display, “as is”, or previously returned model) purchased directly by the end-user consumer, and not for resale, or commercial use; and (3) within the United States or Canada, and has at all times remained within the country of original purchase. The warranties stated herein apply only to the first purchaser of the Product and are not transferable. The warranty is automatically void if the Product was a display model, sold “as is”, tampered with, a damaged or “scratch and dent” model, or a previously returned model, a free give-away, charitable donation or contest prize.

- Please make sure to return your registration card; while not necessary to effectuate warranty coverage, it is the best way for Bosch to notify you in the unlikely event of a safety notice or product recall.

How Long the Warranty Lasts: Bosch warrants that the Product is free from defects in materials and workmanship for a period of three hundred sixty-five days (365) days from the date of purchase. The foregoing timeline begins to run upon the date of purchase, and shall not be stalled, tolled, extended, or suspended, for any reason whatsoever.

Repair/Replace as Your Exclusive Remedy: During this warranty period, Bosch or one of its authorized service providers will repair your Product without charge to you (subject to certain limitations stated herein) if your Product proves to have been manufactured with a defect in materials or workmanship. If reasonable attempts to repair the Product have been made without success, then Bosch will replace your Product (upgraded models may be available to you, in Bosch’s sole discretion, for an additional charge). All removed parts and components shall become the property of Bosch at its sole option. All replaced and/or repaired parts shall assume the identity of the original part for purposes of this warranty and this warranty shall not be extended with respect to such parts. Bosch’s sole liability and responsibility hereunder is to repair manufacturer-defective Product only, using a Bosch-authorized service provider during normal business hours. For safety and property damage concerns, Bosch highly recommends that you do not attempt to repair the Product yourself, or use an un-authorized servicer; Bosch will have no responsibility or liability for repairs or work performed by a non-authorized servicer. If you choose to have someone other than an authorized service provider work on your Product, THIS WARRANTY WILL AUTOMATICALLY BECOME NULL AND VOID. Authorized service providers are those persons or companies that have been specially trained on Bosch products, and who possess, in Bosch’s opinion, a superior reputation for customer service and technical ability (note that they are independent entities and are *not* agents, partners, affiliates or representatives of Bosch). Notwithstanding the foregoing, Bosch will not incur any liability, or have responsibility, for the Product if it is located in a remote area (more than 100 miles from an authorized service provider) or is reasonably inaccessible, hazardous, threatening, or treacherous locale, surroundings, or environment; in any such event, if you request, Bosch would still pay for labor and parts and ship the parts to the nearest authorized service provider, but you would still be fully liable and responsible for any travel time or other special charges by the service company, assuming they agree to make the service call.

Extended Limited Warranty:

LENGTH OF WARRANTY	SCOPE OF WARRANTY
2 Year Limited Warranty From Date of Purchase	Bosch will provide replacement parts, free of charge, for any component part that proves defective under conditions of normal home use during the first two years from the date of purchase, normal (non-expedited) shipping costs included, labor charges excluded.
2 Year Limited Warranty on Electronics From Date of Purchase	Bosch will repair or replace, free of charge, any microprocessor or printed circuit board that proves defective under conditions of normal home use during the first two years from the date of purchase, labor charges excluded.
2 Year Limited Warranty on Motor From Date of Purchase	Bosch will repair or replace, free of charge, any motor or component part of the motor that proves defective under conditions of normal home use during the first two years from the date of purchase, labor charges excluded.

Out of Warranty Product: Bosch is under no obligation, at law or otherwise, to provide you with any concessions, including repairs, pro-rates, or Product replacement, once this warranty has expired.

Warranty Exclusions: The warranty coverage described herein excludes all defects or damage that are not the direct fault of Bosch, including without limitation, one or more of the following: (1) use of the Product in anything other than its normal, customary and intended manner (including without limitation, any form of commercial use, use or storage of an indoor product outdoors, use of the Product in conjunction with air or water-going vessels); (2) any party’s willful misconduct, negligence, misuse, abuse, accidents, neglect, improper operation, failure to maintain, improper or negligent installation, tampering, failure to

follow operating instructions, mishandling, unauthorized service (including self-performed “fixing” or exploration of the appliance’s internal workings); (3) adjustment, alteration or modification of any kind; (4) a failure to comply with any applicable state, local, city, or county electrical, plumbing and/or building codes, regulations, or laws, including failure to install the product in strict conformity with local fire and building codes and regulations; (5) ordinary wear and tear, spills of food, liquid, grease accumulations, or other substances that accumulate on, in, or around the Product; and (6) any external, elemental and/or environmental forces and factors, including without limitation, rain, wind, sand, floods, fires, mud slides, freezing temperatures, excessive moisture or extended exposure to humidity, lightning, power surges, structural failures surrounding the appliance, and acts of God. In no event shall Bosch have any liability or responsibility whatsoever for damage to surrounding property, including cabinetry, floors, ceilings, and other structures or objects around the Product. Also excluded from this warranty are scratches, nicks, minor dents, and cosmetic damages on external surfaces and exposed parts; Products on which the serial numbers have been altered, defaced, or removed; service visits to teach you how to use the Product, or visits where there is nothing wrong with the Product; correction of installation problems (you are solely responsible for any structure and setting for the Product, including all electrical, plumbing or other connecting facilities, for proper foundation/flooring, and for any alterations including without limitation cabinetry, walls, floors, shelving, etc.); and resetting of breakers or fuses. TO THE EXTENT ALLOWED BY LAW, THIS WARRANTY SETS OUT YOUR EXCLUSIVE REMEDIES WITH RESPECT TO PRODUCT, WHETHER THE CLAIM ARISES IN CONTRACT OR TORT (INCLUDING STRICT LIABILITY, OR NEGLIGENCE) OR OTHERWISE. THIS WARRANTY IS IN LIEU OF ALL OTHER WARRANTIES, WHETHER EXPRESS OR IMPLIED. ANY WARRANTY IMPLIED BY LAW, WHETHER FOR MERCHANTABILITY OR FITNESS FOR A PARTICULAR PURPOSE, OR OTHERWISE, SHALL BE EFFECTIVE ONLY FOR THE PERIOD THAT THIS EXPRESS LIMITED WARRANTY IS EFFECTIVE. IN NO EVENT WILL THE MANUFACTURER BE LIABLE FOR CONSEQUENTIAL, SPECIAL, INCIDENTAL, INDIRECT, “BUSINESS LOSS”, AND/OR PUNITIVE DAMAGES, LOSSES, OR EXPENSES, INCLUDING WITHOUT LIMITATION TIME AWAY FROM WORK, HOTELS AND/OR RESTAURANT MEALS, REMODELLING EXPENSES IN EXCESS OF DIRECT DAMAGES WHICH ARE DEFINITELY CAUSED EXCLUSIVELY BY Bosch, OR OTHERWISE. SOME STATES DO NOT ALLOW THE EXCLUSION OR LIMITATION OF INCIDENTAL OR CONSEQUENTIAL DAMAGES, AND SOME STATES DO NOT ALLOW LIMITATIONS ON HOW LONG IMPLIED WARRANTY LASTS, SO THE ABOVE LIMITATIONS MAY NOT APPLY TO YOU. THIS WARRANTY GIVES YOU SPECIFIC LEGAL RIGHTS, AND YOU MAY ALSO HAVE OTHER RIGHTS, WHICH VARY FROM STATE TO STATE. No attempt to alter, modify or amend this warranty shall be effective unless authorized in writing by an officer of BSH.

How to Obtain Warranty Service: To obtain warranty service for your Product, you should contact the nearest Bosch authorized service center.

BSH Home Appliances Corporation – 5551 McFadden Avenue, Huntington Beach, CA 92649 / 800-944-2904

Dispositifs et avantages de votre nouveau sèche-linge

Technologie DUOTRONIC®

Les niveaux d'humidité et de température sont constamment surveillés pour obtenir des résultats de séchage précis avec une vaste gamme de textiles. Tout le linge, des t-shirts à la layette de bébé, sort chaud et doux quand vous le voulez.

Une surveillance permanente garantit la consommation d'énergie la plus faible possible et réduit le gaspillage de jusqu'à 50 % par an.

WRINKLEBLOCK™

Quand l'alarme se déclenche, vous n'êtes pas toujours satisfait de votre linge. La fonction **WRINKLEBLOCK™** vous donne une heure de culbutage par intermittence, pour éviter que le linge ne se froisse et fondamentalement réduire le temps de repassage.

Tambours en acier inoxydable

Le tambour du lave-linge **Nexxt™** d'acier inoxydable pour le plus léger de soin.

Charnière de porte à 180°

Enfin, une porte de sèche-linge qui s'ouvre jusqu'à 180° pour faciliter le chargement et le déchargement du linge. De plus, les portes des lave-linge et sèche-linge s'ouvrent en sens inverse. Le transfert du linge humide au sèche-linge se fait donc presque sans effort lorsque les appareils sont installés l'un à côté de l'autre.

Fonctionnement silencieux

Les lave-linge Bosch font appel à des moteurs sans balais, à des systèmes de pompage suspendus et à des matériaux insonorisants pour qu'ils dégagent extrêmement peu de bruit pendant leur fonctionnement. Ceci signifie qu'il est possible de les installer de facto n'importe où dans la maison, sans qu'ils ne gênent personne.

Râtelier de séchage

Le râtelier de séchage **Nexxt™** protège les textiles les plus délicats ou une paire de chaussures de tennis par exemple, et permet de les faire sécher sans malaxage. Il est installé standard sur le modèle **Nexxt™ Premium** ou disponible sinon comme accessoire.

Filtre à charpie

Notre filtre à charpie pratique est situé à la porte du sèche-linge pour un accès facile. Les petites mailles du filtre à charpie retiennent même les plus petites particules de charpie. Et pour assurer l'efficacité du séchage, un voyant de filtre de charpie s'allume si le filtre a besoin d'un nettoyage immédiat.

MISTCARE™

Les programmes **MISTCARE™** utilisent une quantité d'humidité supplémentaire pour assouplir les tissus, éliminer les faux plis et rafraîchir les pièces de linge composées d'un mélange de coton en éliminant les odeurs.

Tuyau AQUASTOP®

Le tuyau **AQUASTOP®** arrête l'écoulement de l'eau s'il détecte une fuite pouvant provoquer une inondation.

Table des matières

Définitions	31
INSTRUCTIONS DE SÉCURITÉ IMPORTANTES	31
Instructions de mise à la terre	33
Instructions d'installation	34
Introduction	34
Informations sur la mise au rebut	34
Avant d'installer le sèche-linge	34
Installation pas à pas	35
Branchement électrique	38
Raccordement du conduit d'échappement	41
Accessoires	42
Préparation pas à pas au transport du sèche-linge	43
INSTRUCTIONS D'UTILISATION	44
Le bandeau de commande	44
Informations de sécurité supplémentaires	45
Protection de l'environnement	45
Linge	45
Détermination de la nature du tissu	45
Conseils pour le séchage	45
Sélection du programme	46
Options	46
Indicateur de déroulement du programme	46
Programmes automatiques	47
Programmes MISTCARE™	47
Programmes assortis d'une durée	47
Utilisation	49
Utilisation du sèche-linge	49
Nettoyage du filtre à peluches	50
Utilisation du tiroir de séchage (options)	50
Nettoyage et entretien	52
Nettoyage du sèche-linge	52
Nettoyage du conduit d'échappement	52
Nettoyage des capteurs d'humidité	52
Nettoyage de la flasque	52
Changer l'ampoule de l'éclairage	52
Dérangement et remèdes	53
SERVICE ET RÉPARATIONS	55
ÉNONCÉ DE GARANTIE DE PRODUIT LIMITÉE	63

Vous venez d'acheter un sèche-linge Bosch et nous vous en félicitons. Vous venez de faire le même choix que font tous les consommateurs attendant de leur sèche-linge des performances exceptionnelles.

Ce sèche-linge se conforme à la norme UL 2158/CAN/CSA-22.2 No. 112-97. Appareils de séchage des vêtements.

Ce sèche-linge offre une caractéristique particulièrement intéressante: il consomme peu d'énergie.

Une philosophie de fonctionnement simple, tout un éventail de programmes de séchage personnalisés et un agréable retour haptique attestant de la robustesse de l'appareil font de ce dernier un assistant pratique au service de votre foyer.

Ce sèche-linge Bosch offre les caractéristiques standard suivantes:

- Système de séchage hautement efficace et précis.
- Le grand tambour d'acier inoxydable avec une capacité d'augmente à 17,6 livres (8 kg).
- Hublot grand format (18 po/457 mm), et dispositif de verrouillage « interlock » avec arrêt automatique de la fonction du tambour.
- Fonctionnement extrêmement silencieux.
- Cycles automatiques contrôlés par des capteurs.
- Cycles chronométrés
500 Series sèche-linge: 30 et 60 minutes
800 Series sèche-linge: 10 à 150 minutes (dans le graduations de 10 minutes)
- Le programme court pour 1/2 chargement (25 minutes) (800 Series seulement)

Chaque sèche-linge quittant notre usine a subi des tests complets de performances et se trouve en parfait état de marche. Si vous souhaitez formuler quelque question que ce soit notamment sur l'installation de votre sèche-linge, notre équipe du service après-vente se fera un plaisir d'y répondre.

Vous trouverez d'autres informations et tout un choix de nos produits sur le site Web suivant:

www.boschappliances.com

Information

Veuillez s.v.p. lire et respecter l'intégralité de cette notice d'installation et d'utilisation, ainsi que toutes les informations qui ont été fournies avec ce sèche-linge.

Définitions

AVERTISSEMENT


Avertissement – Ce symbole vous prévient d'un danger de mort ou d'un risque de blessures graves si vous ne respectez pas l'avertissement qui l'accompagne.

PRUDENCE

PRUDENCE – Ce message vous prévient d'un risque de blessures légères ou moyennement graves si vous ne respectez pas cet avertissement.

NOTIFICATION

NOTIFICATION – Ce message vous prévient d'un risque de dégâts pour l'appareil ou la propriété est possible si vous ne respectez pas cet avertissement.

 Ce symbole est destiné à attirer votre attention sur quelque chose de particulier.

INSTRUCTIONS DE SÉCURITÉ IMPORTANTES

AVERTISSEMENT

Pour réduire le risque d'incendie, de choc électrique, de blessure grave ou de mort et/ou risque de dommages matériels pendant l'utilisation de votre sèche-linge, veuillez prendre des précautions de base incluant celles qui suivent.

1. Veuillez lire toutes les instructions avant d'utiliser le sèche-linge. Les sèche-linge Bosch sont fournis avec des instructions d'utilisation, de soin et d'installation.
2. Ne faites pas sécher des pièces de linge qui ont été préalablement nettoyées, lavées et

tachées avec ou trempées dans le l'essence, des solvants de dégraissage à sec ou d'autres substances dégageant des vapeurs susceptibles de **s'enflammer** ou d'exploser.

Pour réduire le risque d'**incendie**, ne mettez jamais dans le sèche-linge des vêtements, chiffons de nettoyage, accessoires de nettoyage à franges, comportant des traces de toute substance inflammable comme l'huile végétale, l'huile de cuisine, les huiles ou produits distillés à base de pétrole, les cires, les graisses, etc. Une ou plusieurs substances

inflammables peuvent être restées sur ces pièces de linge même après le lavage. Elles risquent de se mettre à fumer ou de prendre **feu** spontanément.

Ne mettez pas à sécher dans l'appareil des pièces de linge exposées aux huiles de cuisson. Ces pièces de linge contaminées par les huiles de cuisson peuvent contribuer à une réaction chimique qui ferait prendre feu à la charge de linge.

3. Le sèche-linge ne devrait servir qu'aux fins pour lesquelles il a été conçu.
4. Lorsque les enfants arrivent à l'âge de faire marcher l'appareil, leurs

- parent ou tuteurs légaux ont la responsabilité de veiller à ce que des personnes qualifiées leur enseignent des méthodes d'utilisation sûres.
5. Ne laissez jamais les enfants jouer dans ou sur l'appareil : il y a un risque de **blessures** graves ou de **mort**. Les enfants doivent être tenus à une distance sécuritaire des électroménagers en tout temps. Les enfants doivent être laissés approcher un électroménager seulement sous la surveillance constante d'un adulte.-
 6. AVANT DE METTRE L'APPAREIL HORS SERVICE OU AU REBUT, RETIREZ LA PORTE DU COMPARTIMENT DE SECHAGE.
 7. N'introduisez pas les mains dans l'appareil tandis que le tambour tourne.
 8. N'installez ou ne rangez pas cet électroménager dans un endroit où il sera exposé aux intempéries, à l'eau, à la moisissure, à la saleté, à un air corrosif ou salin, ou au froid extrême.
 9. Ne cherchez pas à modifier les commandes de l'appareil.
 10. Ne tentez pas de réparer ni remplacer quelque pièce que ce soit de l'appareil, ne le soumettez pas à des opérations de maintenance autres que celles spécifiquement indiquées dans les instructions de maintenance ou de réparation et permises à l'utilisateur, ceci à condition que vous en compreniez le contenu et ayez l'habileté requise pour réaliser ces opérations.
 11. Pour supprimer l'électricité statique, n'utilisez pas d'adoucissant ou produit pour tissu, sauf si le fabricant le recommande.
 12. Ne vous servez pas de la chaleur pour sécher des articles contenant du caoutchouc mousse (une étiquette peut indiquer la présence de mousse de latex) ou des matériaux en caoutchouc texturés de façon similaire. Les matériaux contenant du caoutchouc mousse peuvent, dans certaines circonstances, s'enflammer et brûler spontanément lorsque échauffés.
 13. Ne mettez pas de pièces de linge contenant de l'oléfine nontissée par filage direct dans le sèche-linge. L'oléfine nontissée par filage direct peut **prendre feu** spontanément.
 14. Avant et après le passage, nettoyez les peluches déposées sur le filtre. L'accumulation excessive de peluche peut causer des dommages au sèche-linge et créer un risque **d'incendie**.
 15. Veillez à ce que la zone située autour de l'orifice de sortie et les zones voisines soient exemptes de bourres, peluches et poussières accumulées. Un orifice obstrué risque de réduire le flux d'air et causer la surcharge.
 16. Il faudrait que le personnel de service après-vente qualifié nettoie régulièrement l'intérieur de la machine et le conduit d'échappement d'air.
 17. Si vous enlevez un capot ou panneau quelconque, incluant le couvercle de la lampe, vous risquez de vous exposer à des circuits électriques sous tension. Enlever tout panneau, incluant le panneau de service rond à l'avant peut aussi vous exposer à des arêtes coupantes, des pointes et des surfaces chaudes. Débranchez toujours l'alimentation électrique avec de tenter toute réparation. Débranchez le cordon en tirant sur la fiche et non le cordon.
 18. Rangez tous les produits chimiques et accessoires de traitement du linge dans un endroit sec et frais, en respectant les instructions publiées par leurs fabricants. Cet endroit doit se trouver hors de portée des enfants. L'essence, les matières combustibles et les vapeurs, liquides et substances inflammables posant un risque d'incendie ne doivent pas être rangés près du sèche-linge.
 19. Ne vous asseyez pas sur le sèche-linge.
 20. Pour réduire le risque d'incendie ou de choc électrique, N'UTILISEZ PAS de prolongateur ni d'adaptateur pour raccorder le sèche-linge à une prise du secteur électrique. Les sèche-linge sont des appareils puissants qui nécessitent leur propre circuit électrique.
 21. Toujours vérifier le contenu des poches des vêtements et secouer les articles de votre lessive avant de les placer dans le sèche-linge ; les objets inappropriés peuvent endommager le sèche-linge et certains articles tels que les briquets peuvent constituer un **risque d'incendie**.
 22. Pour réduire les risques d'incendie ou de choc électrique, n'utilisez pas le sèche-linge si le cordon d'alimentation est effiloché ou endommagé ou si les prises sont lâches.
 23. N'utilisez pas le sèche-linge si des gardes et ou des panneaux ont été enlevés ou si des pièces sont manquantes ou cassées.
 24. Ne tentez pas de contourner un dispositif de sécurité quelconque.
 25. N'utilisez pas de conduit flexible en plastique ou non métallique avec ce sèche-linge. Les conduits en plastique ou non-métalliques peut poser un **risque d'incendie**.
 26. Ne faites pas marcher le sèche-linge si vous n'êtes pas certain qu'il a été installé conformément aux INSTRUCTIONS D'INSTALLATION et que l'installation et la mise à la terre sont conformes aux règlements locaux et/ou aux autres règlements et exigences applicables.
 27. Tout manquement à installer, entretenir et/ou faire marcher le sèche-linge en conformité avec les instructions du fabricant peut provoquer des dommages corporels et/ou des dégâts matériels.
 28. Pour éviter d'endommager le sol ou la prolifération de moisissures, ne laissez pas l'eau répandue ou les éclaboussures en permanence autour de l'appareil ou sous celui-ci.
 29. Assurez-vous que tous les raccordements d'eau au sèche-linge sont dotés d'un robinet d'arrêt d'accès facile. Fermez le ou les robinets d'arrêt d'eau de l'appareil après l'utilisation en fin de journée.
 30. Vérifiez régulièrement les raccords du boyau de remplissage pour vous assurer qu'ils sont bien serrés et ne fuient pas.

Remarques :

- A Les MISES EN GARDE et AVERTISSEMENTS IMPORTANTS figurant dans le présent manuel ne sauraient envisager toutes les situations possibles et imaginables. Faites preuve de bon sens, de prudence et de soin pendant l'installation, l'entretien et l'utilisation de ce sèche-linge.
- B Contactez toujours votre revendeur, distributeur, agent du service après-vente (SAV) ou le fabricant en présence de problèmes ou situations vous paraissant incompréhensibles.
- C Suivez toutes les consignes de sécurité fournies dans les INSTRUCTIONS D'INSTALLATION et les INSTRUCTIONS D'UTILISATION.

Instructions de mise à la terre

Il faut impérativement raccorder ce sèche-linge à la terre. En cas de dysfonctionnement ou de panne, sa liaison avec la terre réduira le risque de choc électrique en fournissant au courant électrique un chemin de passage à résistance électrique très réduite.

Pour le CANADA

Cet appareil est équipé d'un cordon d'alimentation avec fil intégré de raccordement de l'appareil à la terre, et d'une fiche de raccordement à la terre. Il faudra brancher la fiche dans une prise femelle appropriée, reliée à la terre conformément à la réglementation et aux décrets locaux.

⚠ AVERTISSEMENT

Le branchement inexpert du fil chargé de raccorder l'appareil à la terre peut engendrer un risque de choc électrique. Avec l'aide d'un électricien agréé ou d'un technicien du service après-vente (SAV), vérifiez en cas de doute que le sèche-linge est bien raccordé à la terre. **NE MODIFIEZ PAS LA FICHE MÂLE** accompagnant l'appareil. Si elle ne rentre pas dans la prise, demandez à un électricien agréé de vous installer une prise femelle appropriée à ce sèche-linge.

Conservez cette notice afin de pouvoir la consulter a nouveau ultérieurement.

Si l'appareil doit un jour changer de propriétaire, remettez-lui le manuel en même temps que le sèche-linge.

CONSERVEZ CETTE NOTICE

Instructions d'installation

Introduction

Veillez lire ces instructions d'installation entièrement et soigneusement. Elles vous feront économiser du temps et des efforts et vous aideront à obtenir des performances optimales de votre sèche-linge. Veillez à bien respecter tous les avertissements et mises en garde énoncés.

AVERTISSEMENT

AVERTISSEMENT – Risque d'incendie.

- L'installation du sèche-linge doit être réalisée par un installateur qualifié.
- Installez le sèche-linge conformément aux instructions du fabricant et aux codes locaux.
- Ne pas installer un sèche-linge en combinaison avec des matériaux de ventilation flexibles en plastique. Si un conduit en métal flexible (de type aluminium) est installé, il doit s'agir d'un type spécifique indiqué par le fabricant de l'appareil électroménager comme étant compatible avec les sèche-linge. Les matériaux de ventilation flexibles sont réputés comme pouvant s'affaisser, s'écraser facilement et emprisonner la charpie. Ces conditions auront tendance à bloquer la circulation de l'air du sèche-linge et à accroître le risque d'incendie.
- Pour réduire le risque de graves blessures ou de mort, suivez toutes les instructions d'installation.
- **CONSERVEZ CES INSTRUCTIONS.**

Les présentes instructions d'utilisation sont destinées à des installateurs qualifiés. Outre le respect de ces instructions, vous devez installer le séchoir conformément à toutes les réglementations locales ou bien, en l'absence de telles recommandations:

- Au **Canada** : conformez-vous au Code Electrique Canadien C22.1 - en son édition la plus récente / en conformité avec la réglementation édictée par la province de résidence, la réglementation municipale et/ou locale.

Informations sur la mise au rebut

Mise au rebut de l'emballage

AVERTISSEMENT

Eloignez les enfants de tout carton d'emballage et composants d'emballage. Les feuilles en plastique et les cartons pliants comportent un risque d'étouffement.

Tous les matériaux composant l'emballage sont écologiques et recyclables. Pour contribuer vous aussi à la protection de la nature, mettez les matériaux d'emballage au rebut de façon respectueuse de l'environnement.

Pour connaître les circuits de mise au rebut, veuillez consulter votre revendeur ou les services compétents de votre mairie.

Mise au rebut de l'ancien appareil

AVERTISSEMENT

Si l'appareil ne doit plus jamais servir, débranchez sa fiche mâle de la prise de courant, coupez son cordon d'alimentation et jetez-le avec la fiche mâle.

Pour empêcher que des enfants ne s'enferment dans l'ancien appareil et risquent leur vie, détruisez le système de fermeture du hublot ou retirez ce dernier.

Les appareils anciens ne sont pas des déchets sans valeur! Un recyclage respectueux de l'environnement permet de récupérer de précieuses matières premières.

Pour connaître les circuits de mise au rebut, veuillez consulter votre revendeur ou les services compétents de votre mairie.

Avant d'installer le sèche-linge

Déballage de l'appareil

Avant de connecter le sèche-linge à un système de conduits ayant déjà servi, veillez à ce que le système soit propre. Il est recommandé de faire nettoyer professionnellement le système de conduits tous les ans et lors de l'installation du sèche-linge à un système de conduits ayant déjà servi.

Un système de conduits propre contribue à diminuer la durée de séchage et à améliorer l'efficacité du sèche-linge.

PRUDENCE

Ce sèche-linge est très lourd. Ne tentez pas de le soulever. Ne tentez pas de soulever l'appareil par certaines parties saillantes (sa porte par ex.). Vous risqueriez de les casser.

NOTIFICATION

Retirez soigneusement tout l'emballage de l'appareil, ceci pour empêcher d'endommager des surfaces.

Vérifiez si le sèche-linge a subi des dommages lors du transport. N'installez pas un sèche-linge comportant des dommages visibles. En cas de doute, communiquez avec le marchand.

Accessoires fournis

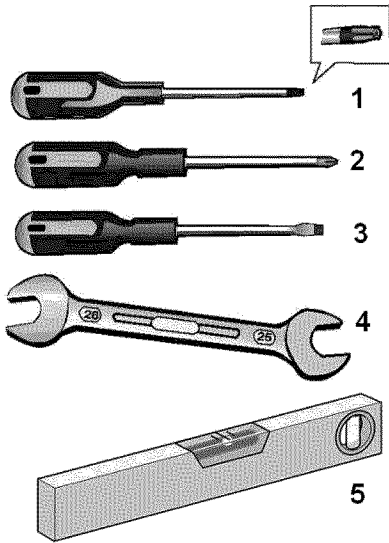
NOTIFICATION

Après avoir retiré l'emballage, sortez tous les objets éventuellement présents dans le tambour.

Outillage utile

Les outils suivants sont utiles pour l'installation:

1. Tournevis de tête d'étoilé de T20
2. Tournevis Phillips (#2)
3. Tournevis à lame plate (#2)
4. Clé à fourche (1 po/25mm)
5. Niveau à bulle



Installation pas à pas

1. Déballiez le sèche-linge.
2. Retirez tous les objets présents dans le tambour.
3. Vérifiez l'absence de dégâts apparents sur le sèche-linge.
4. Placez le sèche-linge à proximité de son emplacement définitif (consultez la page 36).
5. Si nécessaire, déplacez les charnières du côté gauche (consultez la page 43).
6. Si nécessaire, positionnez la sortie d'évacuation de l'air sur le sèche-linge par le côté ou par le bas (voir page 42).
7. Vérifiez le connecteur en « Y », le tuyau court et le Tuyau AQUASTOP® inclus dans l'emballage du sèche-linge (voir page 37).
8. Connectez l'arrivée d'eau à l'arrière du sèche-linge (voir page 37 pour obtenir des instructions détaillées).
9. Installez des conduits d'échappement au besoin.

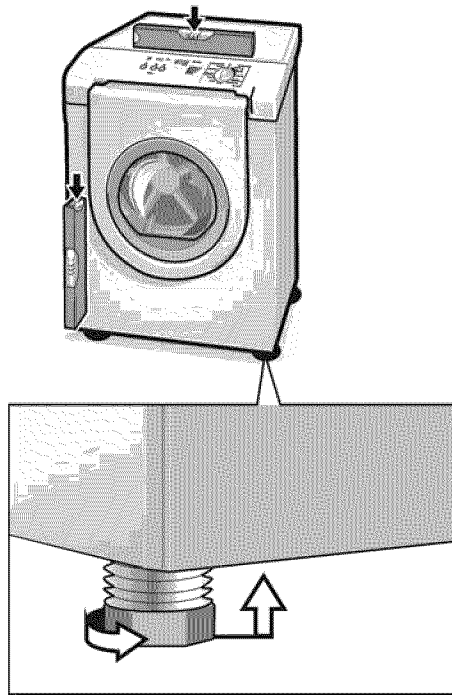
Suivez les instructions d'installation fournie par le fabricant des pièces de conduits (consultez la page 41)

- i** En présence d'un espace très exigü, nous recommandons de fixer l'orifice de départ du conduit d'échappement sur le sèche-linge avant d'amener le sèche-linge sur son emplacement définitif.
10. Amenez le sèche-linge sur son emplacement définitif.

NOTIFICATION

Ne faites pas glisser le sèche-linge sur le sol si ses pieds réglables en hauteur se trouvent en position sortie. Vous risquez d'endommager les pieds et/ou la base du sèche-linge si vous le faites glisser sur le sol avec les pieds en position sortie.

11. Positionnez le sèche-linge et mettez-le de niveau (consultez la page 35).



Il faudrait que le sèche-linge se retrouve bien à l'horizontale, avec ses quatre pieds fermement en appui sur le sol. Le sèche-linge ne doit pas osciller. S'il n'est pas parfaitement à l'horizontale ou s'il oscille, il faudra corriger le réglage des pieds. Vissez ou dévissez les pieds réglables en hauteur jusqu'à ce que le sèche-linge cesse de s'agiter et se trouve parfaitement à l'horizontale, tant de l'avant vers l'arrière que d'un côté à l'autre.

- i** Vous devrez éventuellement utiliser une paire de pinces pour maintenir le pied et l'empêcher de tourner avec l'écrou que vous serrez. Si le pied tourne, ce dernier va modifier la hauteur du coin.

12. Raccordez le conduit d'échappement à l'orifice prévu à cet effet sur le sèche-linge (consultez la page 41).
13. Branchez la fiche mâle dans la prise de courant murale (consultez la page 38).
14. Veuillez lire les instructions d'utilisation pour comprendre comme votre sèche-linge fonctionne. (consultez la page 44).
15. Soumettez l'appareil à un test:
- Vérifiez que le tambour est vide.
 - Fermez la porte du sèche-linge.
 - Commutez le sèche-linge sur «Extra Dry» (Très sec) puis appuyez sur le bouton Start.
 - 3 à 5 minutes plus tard, appuyez sur le bouton Stop puis ouvrez la porte.
 - Si l'intérieur du tambour paraît chaud, ceci signifie que vous avez connecté le sèche-linge correctement. Commutez l'interrupteur sur «OFF».
 - Si le sèche-linge ne fonctionne pas, commutez le sèche-linge sur «OFF». Consultez la section de ces SERVICE ET RÉPARATIONS consacrée au dépannage (page 53) et essayez de localiser le dérangement.

Lieu d'installation

AVERTISSEMENT

N'installez pas ce sèche-linge :

- hors de locaux fermés par une porte,
- dans un environnement où de l'eau goutte,
- près de matériaux inflammables,
- dans des locaux comportant un risque de gel,
- dans des locaux pouvant contenir du gaz, de l'essence ou d'autres combustibles,
- dans des placards à portes fermant à clé et dans des alcôves.

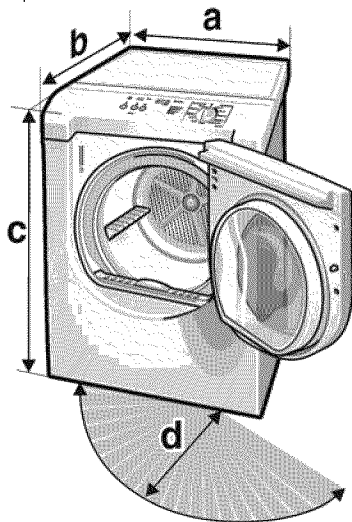
Le local d'installation doit être bien aéré, sinon le sèche-linge fonctionnera en dessous de ses performances optimales.

Ne faites pas marcher le sèche-linge à des températures supérieures à 104 °F (40 °C) et inférieures à 41 °F (5 °C). Les basses températures affectent le séquençage automatique des programmes et peuvent allonger la durée de séchage.

La surface sur laquelle se trouve le sèche-linge doit être propre, horizontale et dure. N'installez jamais l'appareil sur des tapis et moquettes. Compensez les irrégularités du sol par ses pieds réglables en hauteur.

Installez le séchoir, puis assurez sa planéité latéralement et d'avant en arrière. Utilisez un niveau à bulle. N'enlevez jamais les pieds réglables en hauteur!

Les dimensions de la surface d'installation dépendent de celles du sèche-linge. Vérifiez qu'il reste suffisamment de place pour que sa porte puisse tourner!



	Dimensions	Poids
a	27,0" (686 mm)	125 lbs (56 kg)
b	31,8" (808 mm)	
c	37,2" (945 mm)	avec l'emballage
d	19,7" (500 mm)	143 lbs (64 kg)
angle	170 - 180°	

Si vous installez le sèche-linge dans un placard d'encastrement, respectez les distances minimums conformément au tableau ci-dessous :

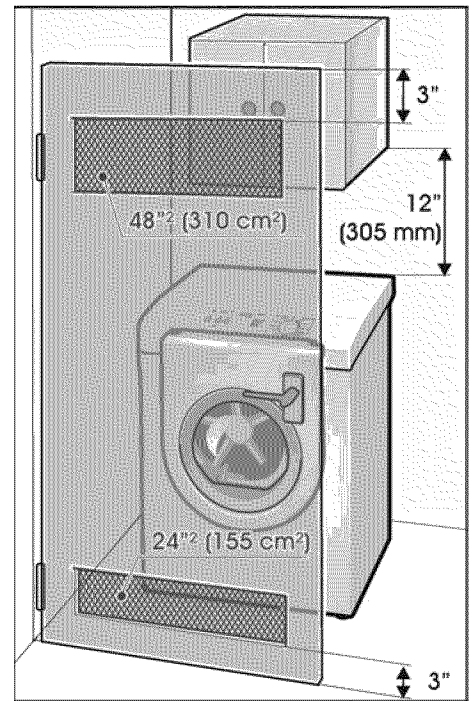
Distance minimum à respecter lors de l'installation

	Placard
Côtés	0" (0 mm)
Dessus	12" (305 mm)
Arrière*	0" (0 mm)

* laussi près du mur que ne le permettent l'évacuation de l'air ou le branchement de l'eau.

Informations importantes sur les distances minimums

- Selon l'emplacement de la sortie de l'évacuation de l'air, prévoyez une distance supplémentaire minimale de 5,5 po (14 cm) de ce côté pour la tuyauterie/les supports (voir page 41).
- Avantages associés au maintien d'une distance plus importante (dégagements) que le minimum indiqué :
 - réduction du risque de formation de moisissure derrière l'appareil.
 - réduction de la transmission du bruit
 - facilité d'installation et de réparation
 - davantage d'air disponible pour refroidir le sèche-linge afin d'éviter qu'il ne chauffe trop et amélioration des performances de séchage.
- Si le sèche-linge est installé dans une petite pièce, les portes de la pièce doivent avoir des événements d'une taille minimum spécifiée. Consultez l'illustration ci-dessous pour des renseignements additionnels.



La porte du sèche-linge a été fournie avec des charnières sur la droite.

S'il faut les déplacer sur la gauche, consultez la page 43.

Branchement de l'eau

Reliez le tuyau d'alimentation en eau à un robinet d'eau froide (celui-ci doit se trouver à 4 pi (1,2 m) de distance de la vanne d'admission d'eau située à l'arrière du sèche-linge).

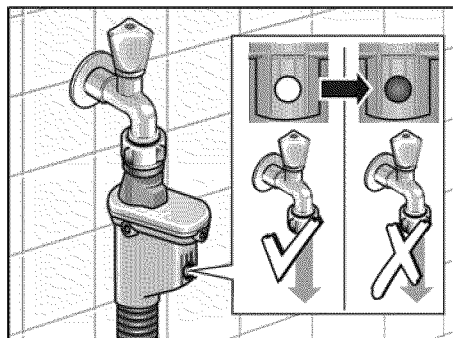
Une pression d'alimentation d'eau de 20 à 100 psi (1,37 à 6,89 bars) est recommandée pour obtenir les meilleures performances.

Un connecteur en « Y » est fourni ainsi qu'un tuyau court (en cas de besoin) pour le relier au robinet d'eau froide.

Tuyau **AQUASTOP®**

NOTIFICATION

Le client est seul responsable de la fixation solide des raccords EXTÉRIEURS de tuyau. Le fabricant n'assume aucune responsabilité ou obligation pour tout raccordement EXTÉRIEUR de tuyau ou tout autre raccordement mal effectué.



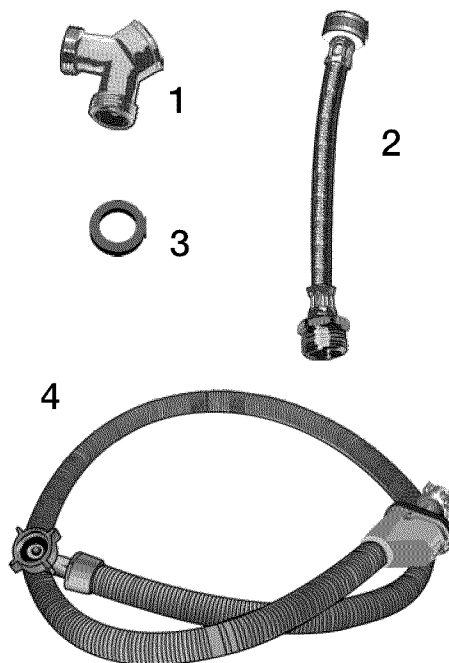
Le tuyau **AQUASTOP®** prévient les inondations possibles en cas de fuite du tuyau.

En cas de fuite du tuyau, une marque rouge s'affiche et l'arrivée d'eau est coupée.

- Un tuyau **AQUASTOP®** qui s'est déclenché ne peut pas être réinitialisé. Contactez le service clientèle pour obtenir un tuyau de rechange (voir page 55).

MISTCARE™ Pièces fournies pour le sèche-linge

Les pièces suivantes sont incluses dans l'emballage de votre sèche-linge.

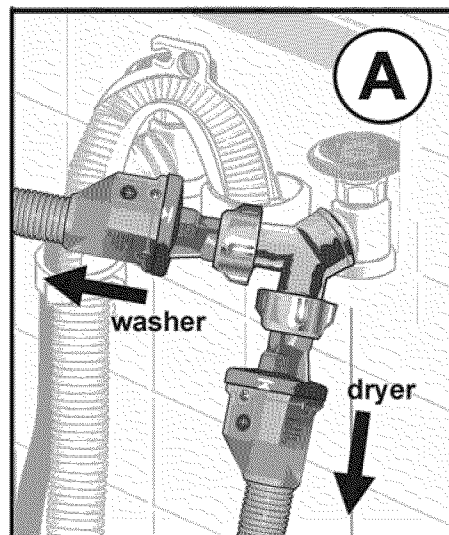


1. Connecteur en « Y »
2. Tuyau d'alimentation court en métal tressé
3. Rondelle de caoutchouc
4. Tuyau **AQUASTOP®**

Branchement du tuyau d'alimentation

i Le sèche-linge doit être connecté au connecteur en « Y » à l'aide du tuyau **AQUASTOP®**. Ne pas utiliser un tuyau usagé.

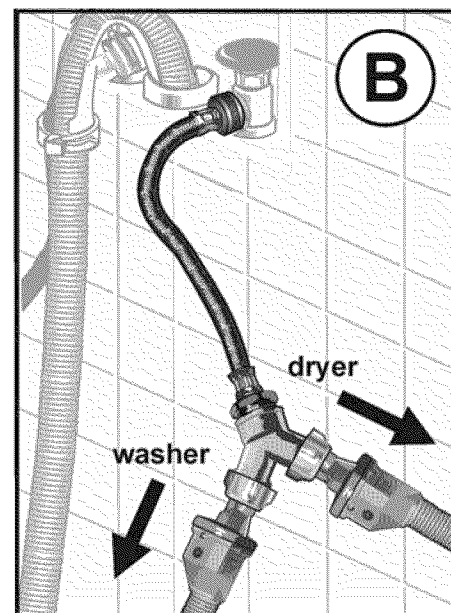
1. Fermez le robinet d'eau froide et retirez le tuyau d'alimentation de l'eau du sèche-linge.



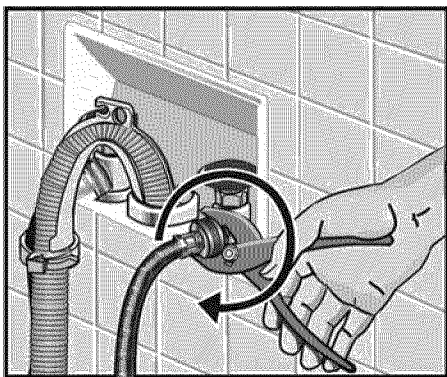
2. Avant de continuer, vérifiez que la rondelle de caoutchouc est bien introduite et positionnée sur l'extrémité femelle du tuyau court. La rondelle de caoutchouc est représentée sous le numéro 3 sur l'illustration des pièces fournies. Elle est illustrée séparément dans la représentation du tuyau pour plus de clarté.
3. Si l'espace le permet, reliez l'extrémité (femelle) auto-foréuse du connecteur en « Y » directement au robinet d'eau froide (option **A** comme le montre l'illustration ci-dessus) et continuez à l'étape 6.

Installation facultative du connecteur en « Y »

Si le connecteur en « Y » ne peut pas être relié directement, utilisez le tuyau court fourni pour relier le connecteur en « Y » au robinet d'eau froide (option **B** comme représenté sur l'illustration), et continuez en passant aux étapes 4 et 5.



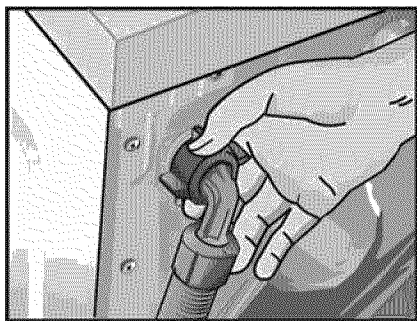
4. Reliez le tuyau court au robinet d'eau froide. Serrez la connexion à la main jusqu'à ce que le raccord se mette bien en place sur le robinet.
5. Utilisez une pince pour serrer la connexion de 2/3 de tour en plus.



- i** Ne pas trop serrer. Vous pourriez endommager le raccord.
6. Reliez le connecteur en « Y » au tuyau court. Serrez le raccord à la main jusqu'à ce qu'il soit bien en place sur le tuyau.

7. Reliez le tuyau d'alimentation d'eau froide du lave-linge au connecteur en « Y ». Serrez à la main.
8. Reliez le tuyau **AQUASTOP®** du sèche-linge à l'autre raccord du connecteur en « Y ». Serrez à la main.
9. Serrez les trois raccords sur le connecteur en « Y » de 2/3 de tour en plus à l'aide d'une pince.

- i** Ne pas trop serrer. Vous pourriez endommager le raccord.



10. Reliez le connecteur à angle droit sur le tuyau **AQUASTOP®** à la valve d'admission située en haut à gauche du sèche-linge.

- i** Vérifiez que la rondelle de caoutchouc ne tombe pas, et qu'elle est correctement positionnée sur le connecteur à angle droit.

11. **Serrez le raccord à la main** jusqu'à ce qu'il soit bien en place sur le connecteur. Ne pas utiliser de pince. Serrez uniquement à la main.

- i** Ne pas trop serrer. Vous pourriez endommager le raccord.

12. Ouvrez le robinet d'eau. .

13. Vérifiez s'il y a des fuites autour du connecteur en « Y », du robinet et de tous les tuyaux.

Branchement électrique

⚠ AVERTISSEMENT

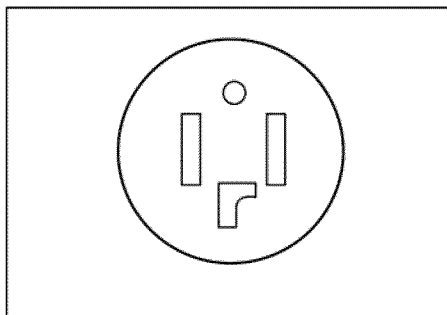
Le cordon d'alimentation doit être raccordé par un technicien qualifié ou par un électricien agréé uniquement.

Raccordez l'appareil à un circuit de dérivation individuel.
N'utilisez pas d'adaptateur.
N'utilisez pas de prolongateur.
Ne retirez pas la broche de connexion à la terre.

Pour le CANADA

Votre sèche-linge a été livré équipé d'un cordon d'alimentation figurant dans la liste CSA canadienne.

Ce sèche-linge requiert une prise femelle à 4 fils.



Lorsque vous installez la prise femelle recevant le cordon d'alimentation, veillez bien à ce qu'il reste accessible une fois le sèche-linge en position.

Le cordon d'alimentation ne devrait être remplacé que par un technicien qualifié ou un électricien certifié. Utilisez un cordon d'alimentation à quatre fils (consultez Branchement d'un cordon électrique, États-Unis, ci-dessous).

- 4-fils seulement
- Il doit figurer dans la liste UL américaine et CSA.
- Il doit supporter au minimum une tension comprise entre 208 et 240 volts.
- Il doit supporter jusqu'à 30 ampères.
- Il doit être du type SRDT
- Il doit mesurer au minimum 5 pieds de long.

Voir page 39 pour 4-fils instructions d'installation.

Instructions de raccordement à la terre

Il faut impérativement raccorder ce sèche-linge à la terre. Si un dérangement ou une panne se produit, le raccordement à la terre réduira le risque de choc électrique vu que le courant pourra s'échapper par un fil offrant une faible résistance électrique. Pour le Canada cet appareil est équipé d'un cordon d'alimentation intégrant un fil de terre et une fiche de terre. Il faut raccorder la fiche à une prise femelle réglementairement installée et dotée de contacts eux-mêmes raccordés à la terre, ceci en conformité avec la réglementation et les ordonnances locales.

Procédure additionnelle de raccordement à la terre

- Ne raccordez jamais le fil de terre à des conduites de plomberie en plastique, à des conduites de gaz ou à des conduites d'eau.

Branchement de l'alimentation électrique (4 fils)



ADVERTISSEMENT

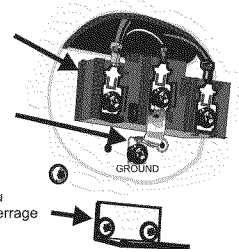
Un mauvais raccordement du conducteur de mise à la terre de l'équipement peut engendrer un risque de choc électrique. En cas de doute sur la bonne mise à la terre du sèche-linge, faites vérifier l'appareil par un technicien qualifié ou par un électricien agréé.

Ne branchez pas l'extrémité du cordon d'alimentation dans une prise sous tension avant d'avoir connecté le cordon d'alimentation aux bornes de l'appareil et coupé le courant au coffret de distribution comme indiqué ci-dessous.

bornier

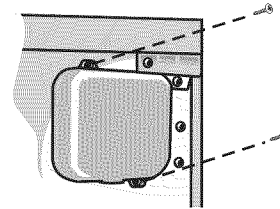
attache pou
mise à la terre

support pou
collier de serrage



1

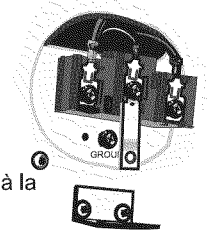
Enlevez des deux vis du cache du bornier située en haut à l'arrière de l'appareil. Ceci exposera l'assemblage du bornier.



2

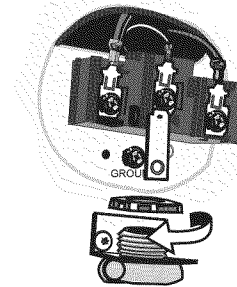
Dévissez la vis inférieure de l'attache pour mise à la terre. Redressez l'attache pour mise à la terre pour la mettre à la verticale. Remettez la vis verte en place dans le trou de la borne de TERRE.

i S'assurer que le bracelet de mise à la terre n'est pas en contact avec le panneau arrière pour éviter que le disjoncteur ne se déclenche lors du fonctionnement de la sècheuse.



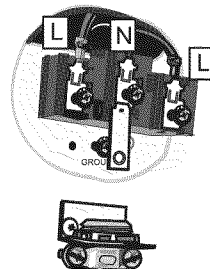
3

Fixez un collier de serrage (disponible auprès d'un magasin de matériel électrique ou de construction) au support en équerre. Serrez l'écrou pour mettre le support pour collier de serrage bien en place.



4

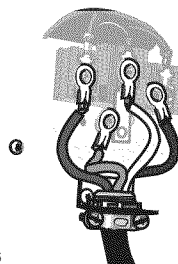
Dévissez les 2 vis marquées L et la seule vis marquée N sur le bornier. Dévissez également la vis sur la borne de TERRE.



Suite sur la prochaine page

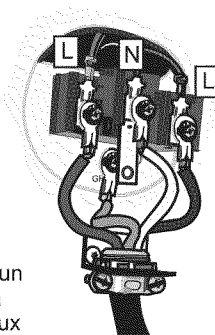
Installation à 4 fils

- 5** Faites passer le câble à 4 fils à travers le collier de serrage. Serrez les vis du collier de serrage (2,5 Nm) de façon à ce que le cordon d'alimentation ne puisse pas être déplacé.



- i** Ceci maintiendra le cordon d'alimentation en place et facilitera l'installation des bornes de fixation.

- 6** Fixez le conducteur de mise à la terre du cordon d'alimentation (vert) à la borne de TERRE. Serrez la vis (2,5 Nm) de façon à ce que le conducteur de mise à la terre soit maintenu bien en place.



Placez les 2 conducteurs extérieurs du cordon d'alimentation (rouge et noir, l'un ou l'autre pouvant être placé à gauche ou à droite) sur les deux bornes marquées L. Placez le conducteur restant du cordon d'alimentation (blanc) sur la borne marquée N.

- i** S'assurer que les bornes de raccordement sont bien alignées sur les écrous des bornes pour éviter d'abîmer les filets.



- 7** Serrez les 3 bornes de raccordement de façon à ce que chacun des fils soit bien maintenu en place.



AVERTISSEMENT

Après avoir bloqué les vis, vérifier que les bornes sont bien serrées pour assurer une bonne liaison électrique, au risque d'engendrer une situation susceptible d'être dangereuse.

- 8** Inspectez le collier de serrage pour s'assurer qu'il est bien serré et ne tourne pas.

- 9** Remettez le cache en place sur le bornier et vissez-le.

- i** Assurez-vous que le collier de serrage se situe en dehors du cache !

- 10** L'appareil est maintenant prêt à être branché dans une prise électrique conforme.

Raccordement du conduit d'échappement

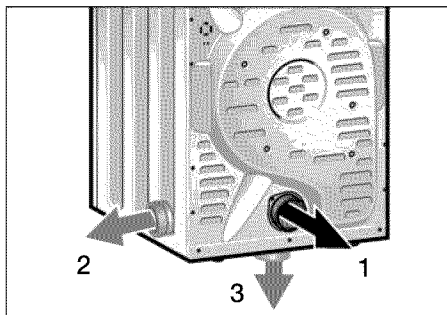
AVERTISSEMENT

1. Pour réduire le risque d'incendie, il faut que le conduit d'échappement de ce sèche-linge aboutisse en plein air.
2. Pour réduire le risque d'incendie, ne pas utiliser des gaines et conduits plus longs que ce qui est recommandé. Reportez-vous au tableau des longueurs de conduit maximum (voir page 42).
3. NE PAS utiliser de conduits en plastique, en feuille métallique ou tout autre conduit non métallique avec ce sèche-linge. Seul un conduit en métal rigide ou flexible doit être utilisé pour l'évacuation. Les conduits en feuille métallique et les conduits flexibles ne sont PAS identiques.
4. NE PAS utiliser plus de 2,4 m de conduit en métal flexible.
5. UTILISER un conduit mesurant 4 po (102 mm) de diamètre.
6. NE PAS évacuer l'air du sèche-linge dans : une cheminée, un mur, un plafond, tout vide dissimulé d'un bâtiment, le conduit d'air froid d'une chaudière, un grenier, un vide sanitaire ou tout autre conduit ou gaine d'aération.
7. N'INSTALLEZ PAS un conduit flexible dans un mur, plafond ou plancher situé dans une enceinte.
8. N'ÉCRASEZ ET NE vrillez pas le conduit.
9. Nettoyez et vérifiez le circuit d'échappement de façon régulière, au minimum une fois par an.
10. Le conduit d'échappement doit se terminer de manière à empêcher tout refoulement d'air ou la pénétration d'oiseaux ou d'animaux non domestiqués.
11. N'UTILISEZ PAS de hottes aspirantes équipées de fermetures magnétiques.
12. NE PAS monter les conduits à l'aide de vis ou d'attaches qui débouchent à l'intérieur du conduit. Elles constituent un point d'accumulation de la charpie. Les joints doivent être obturés à l'aide de ruban en aluminium.

Orifice de sortie d'air sur le sèche-linge

Ce sèche-linge a été livré avec un orifice de sortie d'air à l'arrière. Pour tenir compte des impératifs architecturaux et de la présence d'un système préexistant d'échappement de l'air, il est possible de placer l'orifice de sortie à d'autres endroits :

- Sur le côté droit de l'appareil,
- Sur la face inférieure de l'appareil.



- 1 – Orifice de sortie d'air situé à l'arrière de l'appareil (standard)
- 2 – Orifice de sortie d'air sur le côté (option)
- 3 – Orifice de sortie d'air sur la face inférieure (option)

Des raccords d'échappement d'air sont disponibles auprès de votre marchand, d'un fournisseur de pièces ou du service à la clientèle pour un type de connexion ou l'autre (consultez la page 42).

- Kit de sortie par le côté
- Kit de sortie par le bas.

Il faudrait confier le changement d'orifice de sortie d'air (passage de l'orifice standard à un orifice en option) à un technicien qualifié.

Conduit d'échappement

Le système d'évacuation du sèche-linge évacue l'air humide tandis que vos vêtements sèchent par culbutage.

Vous pouvez écourter la durée de séchage, économiser de l'énergie et contribuer à assurer la sécurité du système en veillant à ce que le système de conduits d'évacuation de votre sèche-linge soit correctement installé et entretenu.

Points importants à prendre en compte :

- Les conduits d'échappement (la longueur totale du sèche-linge à la hotte d'échappement extérieure) doivent être aussi courts que possible (reportez-vous au tableau « Longueur maximale du conduit » à la page 42.)

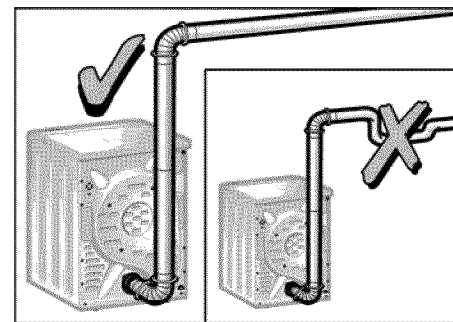
- Utiliser le moins de coudes possibles nécessaires pour installer le système de conduits d'évacuation. Éviter de placer deux coudes à 90° adjacents l'un à l'autre.
- Vérifiez et nettoyez le système de conduit et la hotte d'échappement au moins une fois par année et chaque fois que le rendement du sèche-linge diminue.

Éliminer les peluches accumulées pour éviter la baisse de circulation de l'air ou l'obstruction du système. Il est recommandé de faire nettoyer le système de conduits une fois par an par un service de nettoyage professionnel et lorsque vous raccordez votre sèche-linge à un système de conduits d'évacuation utilisé antérieurement.

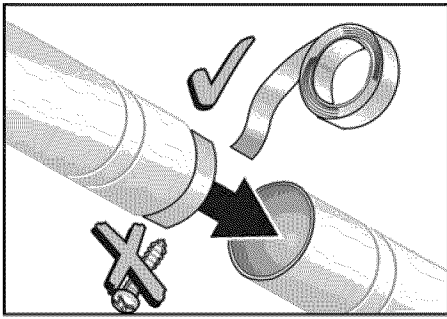
- Remplacer les sections de ventilation en plastique ou en feuille métallique par des conduits métalliques rigides ou flexibles. Il est recommandé d'utiliser des conduits métalliques rigides.

- i** Le propriétaire a la responsabilité de pourvoir à l'installation adéquate du système d'évacuation.

Les problèmes résultant d'une mauvaise installation ne sont pas couverts par la garantie qui accompagne l'appareil.



Les conduits d'évacuation dont la longueur est supérieure aux spécifications du tableau des longueurs de conduit maximum, page 42 ne sont pas autorisés. Le non respect des indications de ce tableau aura pour effet de prolonger la durée de séchage, d'entraîner l'accumulation de charpie et de nuire aux performances du sèche-linge ainsi qu'à la durée de vie de ce dernier.



Il faudrait que toutes les jonctions soit étanches pour éviter les fuites. La partie mâle de chaque segment de conduit doit regarder en direction opposée à celle du sèche-linge. Que vous raccordiez le conduit à un système d'aération préexistant ou à un nouveau système, assurez-vous que l'intérieur du conduit est intégralement propre et exempt de peluches. La longueur maximale autorisée pour un conduit rigide et pour un conduit rigide utilisé avec un conduit métallique flexible est indiquée au tableau ci-dessous. Si vous utilisez des conduits métalliques flexibles pour relier l'appareil au système de conduits, la longueur totale du conduit métallique flexible ne doit pas dépasser 2,4 m et celui-ci doit servir uniquement à relier le sèche-linge au système de conduits. Comme l'indique le tableau ci-dessous, la longueur de conduit maximum totale est réduite si l'on utilise des conduits flexibles.

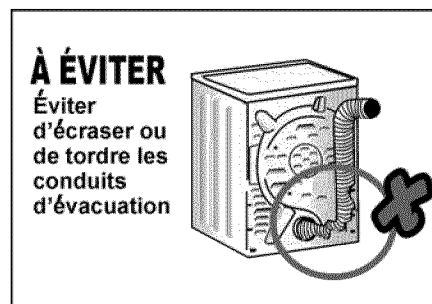
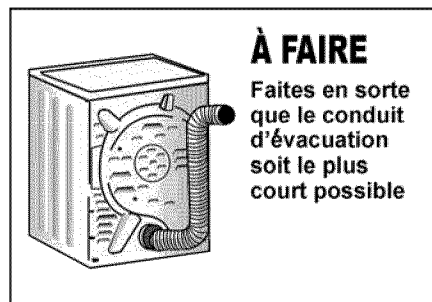
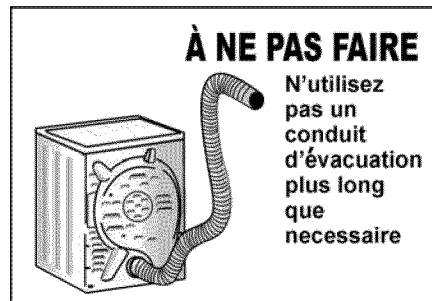
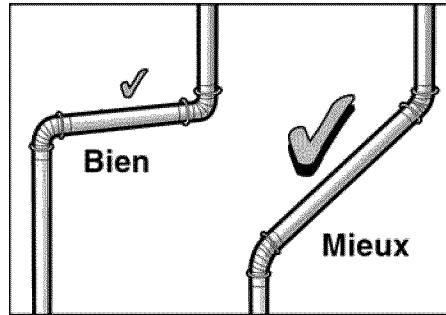
Longueur maximale de conduit

Nombre de virages ou coudes à 90°	Conduit rigide	Utilisation d'un conduit flexible combiné à un conduit rigide
0	66 ft. (2011 cm)	45 ft. (1372 cm)
1	56 ft. (1707 cm)	36 ft. (1097 cm)
2	48 ft. (1463 cm)	29 ft. (884 cm)
3	39 ft. (1189 cm)	22 ft. (671 cm)
4	30 ft. (914 cm)	16 ft. (488 cm)

Remarque:

Les installations latérales et inférieures font un angle de 90° à l'intérieur du sèche-linge. Tenez compte de ce facteur en utilisant le tableau ci-dessus.

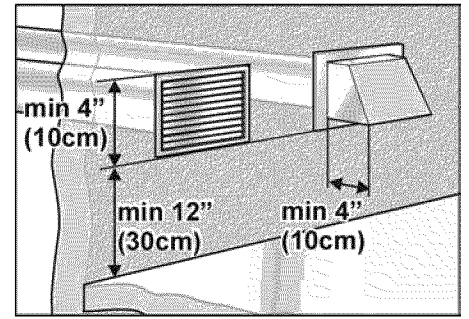
Plus de deux coudes à 90° sont déconseillés. Pour obtenir les meilleures performances, veillez à ce que tous les virages soient distants d'au moins 4 pieds les uns des autres, y compris la distance entre le dernier virage et la hotte d'échappement.



Hotte d'échappement

Le conduit doit se terminer par une hotte d'échappement homologuée présentant un ou plusieurs volets pivotant. N'UTILISEZ PAS de hotte d'échappement à fermetures magnétiques.

Pour éviter tout freinage de l'air sortant, il faudrait que la bouche de sortie se trouve au minimum 12 pouces (30 cm) au-dessus du niveau du sol ou de toute surface faisant obstruction.



Pièces de conduit requises

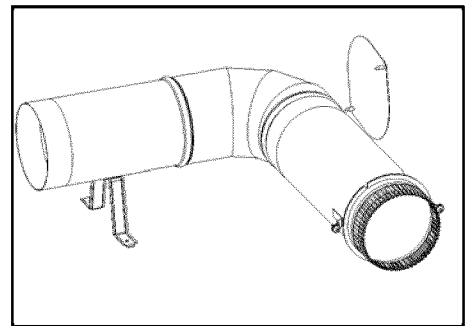
Les pièces nécessaires au système d'évacuation d'air (coudes, canalisations, bouches d'évacuation) ne sont pas incluses avec la sècheuse en livraison standard (voir la section consacrée aux accessoires pour de plus amples informations sur les commandes de pièces.)

L'installation professionnelle est recommandée pour le système de conduits.

Accessoires

Vous pouvez obtenir les accessoires en option suivants auprès du service à la clientèle (consultez la page 55) ou de votre marchand local. Veuillez suivre les instructions d'installation fournies par le fabricant respectif.

Kit de sortie par le côté



N° de réf. **WTZ 1265**

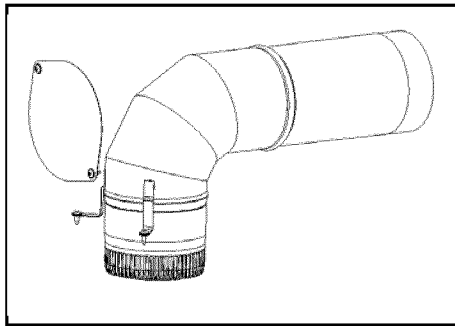
Remarque :

Voir les remarques concernant le nombre maximum de coudes page 42.

i Un outil spécial est nécessaire pour découper l'orifice d'évacuation dans le panneau latéral de la sècheuse.

Pour de plus amples informations, veuillez contacter votre revendeur local.

Kit de sortie par le bas.

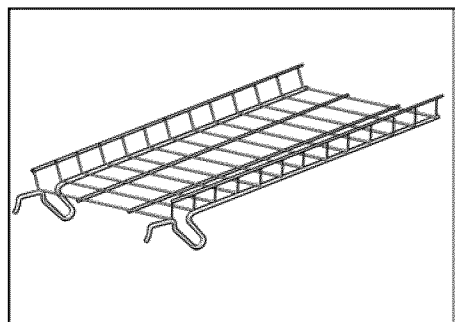


N° de réf. **WTZ 1270**

Remarque :

Voir les remarques concernant le nombre maximum de coudes page 42.

Tiroir de séchage



N° de réf. **WTZ 1290**

Servez-vous du tiroir de séchage pour sécher les textiles lavables en laine (les chandails par ex.) et les chaussures.

Charnières gauches en kit

N° de réf. **WTZ 1260** (Sèche-Linge Blancs)

N° de réf. **WTZ 1260S** (Sèche-Linge Argentés et deux tons)

La porte est installée en usine avec les charnières sur la droite. Le loquet de la porte peut être inversé au besoin. Veuillez communiquer avec votre marchand ou le service à la clientèle (consultez la page 55).

Montage sur estrade

nombre accessoire de piédestal de 8
pouces

N° de réf. **WTZ 1295** (Sèche-Linge
Blancs)

N° de réf. **WTZ 1295S** (Sèche-Linge
Argentés)

N° de réf. **WTZ 1295P** (Sèche-Linge
Argentés de tonalité4 de duo)

nombre accessoire de piédestal de 15
pouces

WTZ 1500 pour la couleur blanche
pleine

WTZ 1500S pour l'argent pleine

WTZ 1500P pour l'argent de tonalité
de duo

WTZ 1500C de tonalité pour le
champagne de tonalité de duo

Si le sèche-linge est monté sur un
piédestal, suivez les instructions
fournies avec celui-ci avant de
continuer.

Préparation pas à pas au transport du sèche-linge

i Ces procédures doivent être
effectuées uniquement par une
personne qualifiée.

1. Amenez le programmeur
sur «OFF».
2. Débranchez l'alimentation (couper
le courant au disjoncteur,
débrancher l'appareil).
3. Fermez le robinet d'eau connecté
au tuyau d'alimentation en eau.
Débranchez le tuyau
d'alimentation en eau.
4. Débranchez le conduit de l'orifice
d'échappement d'air situé contre
l'appareil.
5. Rassemblez tous les accessoires
et emballez-les pour les expédier
avec l'appareil.
6. Fermez la porte et maintenez-la
fermée avec du ruban adhésif.
7. Révissez les pieds réglables
en hauteur dans le corps de
l'appareil pour empêcher qu'ils
soient endommagés pendant
le transport.
8. **Réinstallation du sèche-linge
dans un nouvel emplacement** –
reportez-vous aux
instructions d'installation
contenues dans ce manuel
(consultez la page 34).

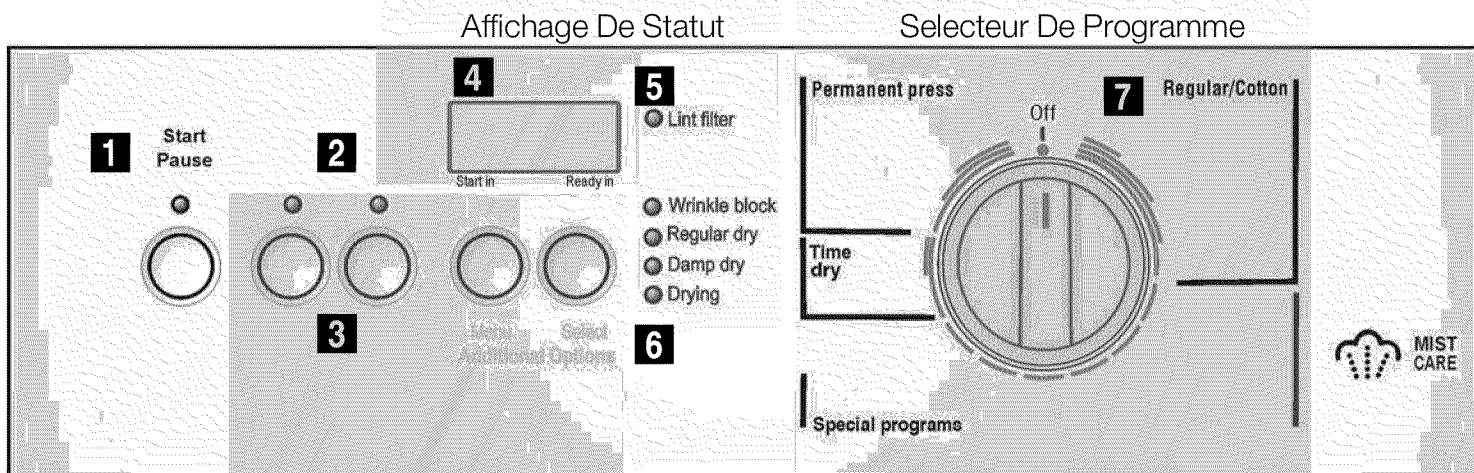
INSTRUCTIONS D'UTILISATION

Avant d'allumer le sèche-linge

Le bandeau de commande

⚠ AVERTISSEMENT

Before using your dryer, read and follow all installation and operating instructions.



Choisissez Les Fonctions Additionnelles

1 Bouton Start/Pause

Ce bouton sert à faire démarrer, à interrompre et à mettre fin au processus de séchage.

État du voyant DEL Démarrage/Pause

Allumé en rouge : Le programme est en marche et la touche "Pause" peut être activée.

Clignotant : Les paramètres peuvent être modifiés, le cycle de séchage peut démarrer ou le programme est en mode « Pause ».

Non allumé : Le programme est terminé ou il n'y a plus de programme sélectionné.

2 Boutons des options

Ajoutez des fonctions au programme sélectionné. La DEL du bouton d'option est allumée lorsque l'option est sélectionnée. Appuyez de nouveau sur le bouton d'option pour la désactiver (la DEL s'éteint).

Déliçats/Basse température : Appuyez sur ce bouton pour les textiles sensibles à la température (par exemple les fibres en acrylique). La température du processus de séchage est réduite, la durée de séchage est prolongée en conséquence.

ECO e : Appuyez sur ce bouton pour faire des économies d'énergie supplémentaires (utiliser uniquement pour les programmes automatiques Coton et Perma-press). Appuyez sur le bouton d'option avant de démarrer un programme automatique.

3 Signal (500 Series)

Appuyez sur le bouton d'option pour activer un signal sonore qui indique la fin du programme (voir page 46). Le signal de la Série 800 est paramétré sur le menu LCD (voir page 46).

4 Ecran

Série 500 Plus
Indique la durée restante prévue des programmes.

Série 800

Indique les paramètres des options supplémentaires et la durée restante prévue des programmes. (voir page 46)

Options supplémentaires

Menu sélectionne l'une des options supplémentaires

Select (Sélection) modifie les paramètres de l'option sélectionnée

5 Le voyant de signalisation du filtre de fibre Clignote pour vous rappeler de nettoyer le filtre à charpie avant et après chaque utilisation.

Allumé (constamment) lorsque le hublot est ouvert en cours de programme ou lorsque le débit d'air est réduit à tel point qu'une erreur E:01 est générée (voir le guide de dépannage, page 53).

6 Voyant indicateur (LED)

Les DEL s'allument l'une après l'autre pour indiquer la teneur en humidité actuelle du processus de séchage.

Wrinkle block – à la fin du programme de séchage, un signal sonore retentit et la DEL Wrinkle block (Élimination des faux-plis) s'allume. La rotation du tambour s'opère à intervalles spécifiques pendant une heure pour éviter que la lessive ne se froisse (voir page 46).

7 Programmateur

Sélectionnez un programme. Voir page 46. Vous pouvez le faire tourner dans les deux directions.

Pour éteindre le sèche-linge, ramenez le programmateur sur la position «Off».

Informations de sécurité supplémentaires

AVERTISSEMENT

Respectez toujours les INSTRUCTIONS DE SÉCURITÉ IMPORTANTES (voir page 31).

Protection de l'environnement

Conseils pour économiser de l'énergie

Pour économiser de l'énergie, de l'argent et du temps, Bosch vous recommande ceci :

- **Essorez suffisamment le linge.**
Avant le séchage, faites bien essorer le linge dans le lave-linge. Servez-vous de la plus haute vitesse d'essorage possible adaptée au type de linge. Une vitesse d'essorage assez élevée réduit la durée du séchage et la consommation d'énergie.
- **Mettez la charge maximale de linge.**
Mettez une charge de linge correspondant au maximum recommandé. Ne chargez toutefois pas de quantités excessives de linge.
- **Nettoyez le filtre.**
Nettoyez le filtre avant et après chaque séance de séchage (voir page 50).
- **Aérez la pièce.**
Pendant la séance de séchage, veillez à ce qu'il arrive suffisamment d'air frais dans la pièce.
- **Ne séchez pas de matériaux inadaptés!**
Ne faites pas sécher de pièces de linge enrobées de caoutchouc ou hermétiques.
- **Nettoyez et inspectez régulièrement le système d'évacuation !**
Les blocages peuvent prolonger la durée de séchage ou empêcher le sèche-linge de fonctionner correctement.

Débranchement temporaire du sèche-linge

Ne faites marcher votre sèche-linge que pendant que vous vous trouvez à votre domicile. En prévision d'un départ en vacances ou si vous devez ne pas utiliser le sèche-linge pendant une période prolongée, vous devrez :

1. Ramener le disjoncteur en position éteinte.
2. Débrancher la fiche mâle de la prise de courant (si possible).
3. Nettoyer le filtre à peluches.

Linge

Détermination de la nature du tissu

Veillez respecter les symboles de traitement figurant sur les étiquettes des pièces de linge. Elles contiennent des informations précieuses ainsi que des restrictions quant au processus de séchage.

Avec cet appareil, ne séchez pas les textiles suivants :

- Textiles étanches (par ex. enrobés de caoutchouc)
- Les textiles délicats (soie, voilages synthétiques)

i Séchez les textiles en laine ou à forte proportion de laine uniquement dans le tiroir de séchage.

i Servez-vous du programme à durée limitée «Air fluff/No heat» (Défouillage à l'air/aucune chaleur) pour sécher les articles contenant du caoutchouc mousse ou des articles à texture similaire à celle du caoutchouc.

Conseils pour le séchage

En principe, les instructions suivantes s'appliquent à tous les programmes de séchage :

- Pour assurer un résultat de séchage uniforme, trie le linge conformément aux types de tissu et au programme voulu.
- Refermez les fermetures à glissières, les crochets et les œillets. Fixez les ceintures détachées, les lanières des tabliers, etc.

- Ne séchez pas à l'excès le linge synthétique – risque de le froisser ! Laissez ce linge finir de sécher à l'air.
- Ne repassez pas le linge immédiatement après le séchage. Laissez le linge reposer en pile pendant un petit moment. Ceci permettra à l'humidité résiduelle de se répartir uniformément.
- Les textiles à mailles (par ex. les t-shirts, le linge en coton tricoté en jersey) rétrécit souvent lors du premier séchage au sèche-linge. N'utilisez pas le programme «Very dry/Extra dry» (Très sec/Extra sec).

Sélection du programme

Pour des résultats de séchage optimum, votre sèche-linge possède plusieurs groupes de programmes et options supplémentaires.

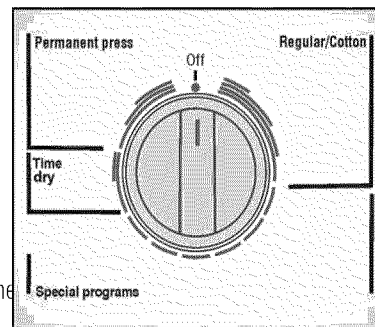
Les programmes automatiques comprennent Regular/Cotton (Normal/Coton) et Permanent press (Perma-press). La sélection des programmes est, entre autre, fonction du type de tissu à laver. Ces programmes sont contrôlés par des capteurs d'humidité. La durée des programmes est déterminée par la teneur en humidité mesurée dans la lessive et par le niveau de séchage sélectionné (par exemple, Damp dry (Sec/humide), Regular Dry (Sec/normal), Extra Dry (Très sec).

Les programmes à minuterie s'exécutent pour une durée de temps spécifiée par l'utilisateur. Le cycle programmé Air fluff/No heat (Duvetage/Sans chaleur) utilise l'air ambiant (à la température de la pièce) sans alimentation de chaleur et s'exécute pendant 20 minutes.

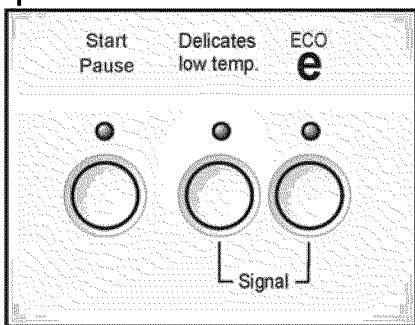
Les programmes spéciaux sont individualisés en fonction des types spécifiques de tissus, par exemple la laine ou les jeans. La laine ou les produits laineux doivent être séchés uniquement avec la grille du sèche-linge.

Les cycles **MISTCARE®** est particulièrement indiqué pour éliminer les faux plis et réduire les odeurs. Ces programmes doivent être utilisés avec des lessives contenant trois ou quatre articles en coton infroissable, composés d'un mélange de coton et polyester, des pull-overs en coton ou des synthétiques. Au cours de ce cycle, une faible quantité d'eau est vaporisée dans le tambour pendant le culbutage avec chaleur. Ce processus est répété, puis est suivi d'un culbutage supplémentaire et d'une période de refroidissement de courte durée. Le niveau de chaleur et la durée sont pré-réglés pour ces programmes. Remarque : Les résultats varient en fonction du type de tissu. Il est possible que les vêtements 100 % coton avec fini infroissable donnent de meilleurs résultats.

Si le gicleur s'arrête de vaporiser pendant l'un des cycles **MISTCARE®** (les symptômes à observer sont l'absence de vaporisation d'eau dans le tambour, des vêtements plus froissés qu'habituellement lorsque vous utilisez cette fonction), assurez-vous que le gicleur n'est pas bouché. La charpie peut s'accumuler sur le gicleur et bloquer son fonctionnement ou l'eau dure peut entraîner une accumulation de dépôts sur le gicleur (voir page 54).



Option Boutons



Delicates low temp. (Déli-cats basse température)

Appuyez sur le bouton «Delicates low temp.» (Déli-cats basse température) pour sécher les textiles craignant la chaleur. Respectez les conseils ou symboles d'entretien figurant sur ces textiles. La température du processus de séchage diminue, la durée de séchage augmente.

ECO e

Votre sèche-linge est doté d'une option « Économie d'énergie » ECO. Cette option est utilisée uniquement avec les programmes automatiques Coton et Perma-press. Moins de chaleur est appliquée et la durée de séchage est prolongée. Appuyez sur le bouton d'option avant de démarrer un programme automatique.

i Les "économies d'énergie" réalisées grâce au programme ECO e sont affectées par la taille de la charge de lavage, le type de

textile et les conditions climatiques.

i En combinaison avec le bouton Delicates low temp. (Déli-cats/Basse température), ce programme peut faire réaliser des économies d'énergie supplémentaires.

Signal (Signal sonore)

Serie 500

Votre sèche-linge émet différents signaux si vous avez appuyé sur le bouton «Signal». Vous pouvez rendre capable ou pouvez rendre infirme le signal par déprimant simultanément les boutons montrés. Les tons audibles alors suivants seront produits indiquant le status de l'appareil.

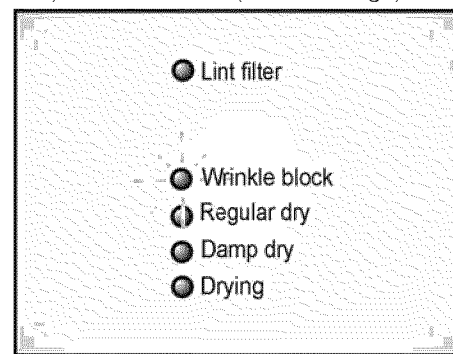
Signal	Type
Départ	Signal bref
Fin	Séquence de tons courts
Dysfonctionnement	Séquence de tons longs
Alarme de dérangement	Séquence de tons longs

i Le signal « alarme de dérangement » fonctionne dans tous les cas.

Indicateur de déroulement du programme

Le sèche-linge utilise un système de scannérisation électronique dans tous les programmes excepté les

programmes à durée réglable. Un capteur d'humidité vérifie constamment l'humidité présente dans le linge. Le séchage prend fin automatiquement dès que le degré de séchage sélectionné a été atteint. Le tambour continue, pendant une heure, de tourner selon une intermittence spécifique afin d'empêcher le linge de se froisser. Les voyants renseignent sur le degré de séchage actuel et le niveau atteint pendant le déroulement du programme ; ces voyants correspondent à plusieurs degrés de séchage: drying (séchage en cours), damp dry (humide), regular dry (normalement sec), Wrinkle block (anti-froissage).



i Si le voyant «Wrinkle block» (bloc anti-froissage) s'allume une fois que le programmeur se trouve sur la position Off, ramenez le disjoncteur en position éteinte et prévenez le service après-vente.

Programmes automatiques

Regular/Cottons (ECOSENSOR Linge normal/Coton)

Pour le cotons et le linge de couleur en coton ou en lin Appuyez sur le bouton «Delicates low temp.» pour sécher les textiles craignant la chaleur.

Damp dry (Humide)	Lingerie de lit et de table	qu'il faut repasser
	Lingerie de lit et de table, serviettes, T-shirts, maillots de sport, tabliers	
	T-shirts, maillots de sport, tenues, pantalons, tabliers, lingerie de corps	
Regular dry (Normalement sec)	Serviettes en tissu éponge, serviettes de cuisine et à mains, lingerie de lit, lingerie de corps, chaussettes en coton	qu'il ne faut pas repasser
Very dry (Très sec)	Serviettes en tissu éponge, serviettes de cuisine et à mains, lingerie de lit, lingerie de corps, chaussettes en coton	qu'il ne faut pas repasser, à plusieurs couches épaisses
Extra dry (Extra sec)	Peignoirs de bain en tissu éponge, linge de lit en tissu éponge	particulièrement épais ou comportant plusieurs couches

Permanent press ECOSENSOR (Infroissable)

Linge facile à entretenir (encore gouttant), à base de tissus synthétiques et mixtes, de coton, en polyester par ex.

Appuyez sur le bouton «Delicates low temp.» pour sécher les textiles très sensibles à la chaleur

Damp dry (Humide)	Pantalons, tenues, jupes, chemises, chemisiers, leggings, tenues de sport et fibres à fort pourcentage synthétique, lingerie	qu'il ne faut pas repasser ou alors seulement légèrement.
Regular dry (Normalement sec)	Chemises, chemisiers, tenues de sport	qu'il ne faut pas repasser
Very dry (Très sec)	Lingerie de lit et de table, survêtements, anoraks, draps	qu'il ne faut pas repasser, à plusieurs couches épaisses

Programmes MISTCARE[®]

MISTCARE[®] Refresh (Rafraîchissement)	Coton, mélanges coton-polyester, tissus à maille courants et chemises synthétiques, pantalons constitués d'un mélange de coton, jupes, t-shirts et pull-overs. Les tissus infroissables donnent les meilleurs résultats. Permet d'éliminer les faux plis et de réduire les odeurs. Utilisez avec une petite lessive, par exemple 3 ou 4 chemises. La durée du programme est de l'ordre de 16 minutes.	
MISTCARE[®] Wrinkle relax (Défroisser)	Permet d'éliminer les faux plis. Utilisez avec une petite lessive, par exemple 3 ou 4 chemises. La durée du programme est de l'ordre de 12 minutes.	
MISTCARE[®] Touch up (Retoucher)	Ce programme est utilisé pour rafraîchir une lessive contenant des textiles en coton qui a été séchée et laissée dans le tambour à la fin de cycle jusqu'au lendemain matin. Ce programme de 20 minutes rafraîchit la lessive en éliminant les faux plis qui se sont formés du fait de la pression exercée sur le linge par le poids de la lessive.	
	Les vêtements contenant de la mousse, du caoutchouc ou du plastique doivent être rafraîchis sur une corde à linge ou moyennant le cycle Air-fluff/No heat (Défouillage à l'air/Aucune chaleur), car ces articles risquent de s'enflammer du fait de la chaleur émise par le programme MISTCARE [®] .	

Special Programs

Wool	Textiles de laine lavables (par exemple les tricots, les pull-overs de laine, les jupes) Faites sécher les textiles de laine ou en mélange de laine seulement avec la grille !
Jeans	Tissu de jean lourd
Quick (Rapide) (Série 800)	Petites lessives, lessives qui n'ont pas besoin de sécher longtemps (par exemple les chemises de sport, les vêtements de travail [coton, synthétiques])

Time Programs

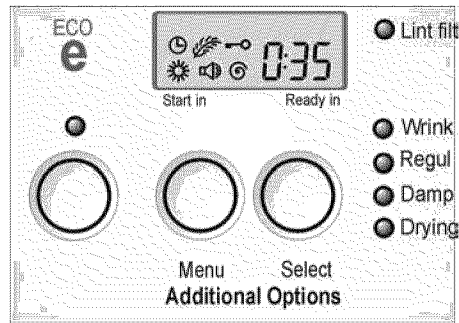
30 min., 60 min. (500 Series) Medium + required drying time (800 Series) (Série 800) Si vous choisissez un programme avec durée variable (par exemple les programmes à minuterie, Wool Care [soin de la laine]) l'affichage commence à clignoter. Vous devez programmer la durée.	Les textiles pré-séchés à basse teneur en humidité, les articles individuels de petite taille, comme par exemple les serviettes de bain, les maillots de bain, les torchons. Pour les très petites lessives pesant de 0,22 à 0,44 lb (100 à 200 g) (une petite serviette par exemple), sélectionnez un programme de séchage court. Appuyez sur le bouton «Delicates low temp.» si ces textiles sont sensibles à la chaleur. – Textiles sensibles à la chaleur.
Air fluff / No heat (500 Series) Air fluff / No heat + required time (800 Series)	Rafraîchissement ou aération de la lingerie peu portée et séchage de textiles craignant beaucoup la chaleur. Pour tous les types de textiles, y compris le caoutchouc mousse (par ex. les oreillers, les jouets rembourrés), le plastique (par ex. les rideaux de douche, les serviettes de table), le caoutchouc (par ex. les nattes à dos en caoutchouc, le nylon seul, le polypropylène).

Options additionnelles 800 Series

i Avant de régler des options additionnelles, choisissez un programme par le programmeur.

Sélectionnez l'option que vous voulez modifier à l'aide du bouton «Menu». Appuyez sur le bouton pour passer à l'option suivante sur l'écran. Le symbole active commence à clignoter.

Les réglages de l'option actuellement active s'affichent sur la droite.



Maintenant, vous pouvez changer ces réglages à l'aide du bouton «Select». Appuyez sur le bouton pour passer au réglage suivant possible.

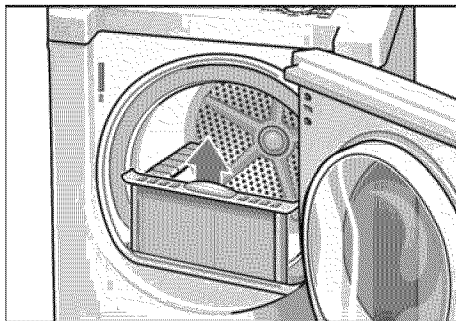
i Le fait d'appuyer à nouveau sur le bouton «Menu» vous permet de sauvegarder les réglages effectués. Si vous n'appuyez sur aucun bouton pendant 10 secondes, l'appareil mémorise les nouveaux réglages automatiquement.

Symbole	Fonction	Reglage possible	Explication
	Fixe l'heure de départ différé du sèche-linge (départ dans ... heures)	0-12 h (par pas de 0,5 h)	
	Extra care (Traitement encore plus doux que la fonction «Delicates/low temp.»)	On/Off	Si vous avez choisi l'option additionnelle "supplémentaire inquiétez-vous" la "température de Delicates/low." le voyant de signalisation illumine. Pression de la "température de Delicates/low." le bouton décommande l'option additionnelle "soin supplémentaire".
	Protection enfants (active seulement pendant la marche du programme)	On/Off	Cette option additionnelle vous permet de fermer vos arrangements pour empêcher l'utilisation fortuite du dessiccateur. Pour mettre en marche le dessiccateur quand la garde de sûreté est en activité : Appuyez sur et tenez le bouton "début / arrêt" pendant 4 secondes. Pour ouvrir cette option additionnelle quand le dessiccateur fonctionne : Appuyez sur et tenez le bouton "début / arrêt" pendant 4 secondes.
	Extra Drying Time (Durée de séchage supplémentaire) Degré de séchage à sélectionner par l'utilisateur	0, 1, 2, 3 (0=defaut, 1=plus sec, 3=le plus sec)	Si vous avez choisi les étapes 1 à 3 de l'option additionnelle "degré de la sécheresse" le symbole est montré. 0 est la norme plaçant 0 symboles n'est pas montré.
	Volume du signal sonore en fin de séchage et du signal prévenant que le linge a atteint le degré de séchage Damp dry (humide)	Off continuel maximal	Votre dessiccateur produit différents signaux pour certains événements. Vous pouvez permettre ou neutraliser le signal en enfonçant simultanément les boutons montrés.
	La durée de séchage optimisée par la vitesse de rotation coordonne le temps restant affiché pour le sèche-linge et la vitesse de rotation à laquelle la lessive a été préalablement essorée dans le lave-linge.	400 600 800 1000 1200	Pour optimiser la durée restante affichée, la vitesse de rotation à laquelle la lessive a été préalablement essorée dans le lave-linge peut être saisie par l'utilisateur.
			Event
			Signal
			Permettez le signal
			Tonalité courte
			Neutralisez le signal
			Deux tonalités courtes
			Commencez Le Cycle
			Tonalité courte
			Cycle D'Extrémité
			Ordre des tonalités courtes
			Défaut de fonctionnement
			Ordre de longues tonalités
			Avertir du défaut de fonctionnement
			Ordre de longues tonalités (maximum volume)

Utilisation

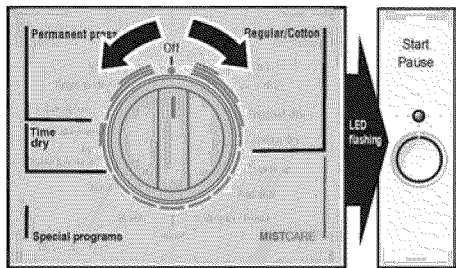
Utilisation du sèche-linge

1. Ouvrez la porte.



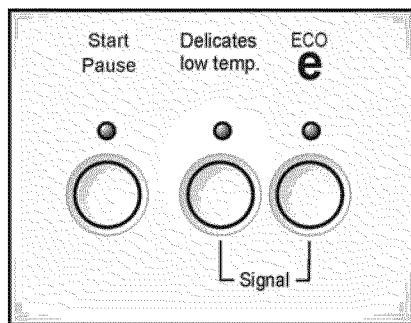
2. Le filtre doit être nettoyé avant et après l'utilisation du sèche-linge. Le nettoyage du filtre réduit la durée de séchage et permet de faire des économies d'énergie. (voir page 50 pour des instructions sur le nettoyage du filtre à charpie).

i La javel peut décolorer la face externe en couleur de sèche-linge. Pour cette raison, il est important de ne pas faire entrer en contact la face externe en couleur de votre sèche-linge avec de la javel. Si vous faites tomber de la javel sur sa face externe, nettoyez cette dernière immédiatement et avec soin à l'aide d'un essui-tout humide.



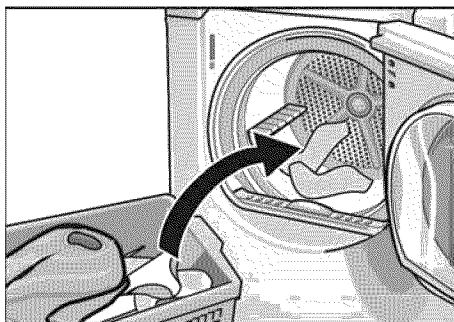
3. Amenez le programmateur sur le programme voulu. A l'aide du tableau de sélection, choisissez un programme adapté au linge présent dans le tambour (voir page 46). L'éclairage du sèche-linge s'allume dans le tambour.

i Le voyant «start/stop» se met à clignoter.



4. Si nécessaire, sélectionnez «Option» ("Delicates low temp" or "ECO e") en appuyant sur le bouton. L'explication des options figure à la page 46.

i Le temps restant prévu sera affiché.

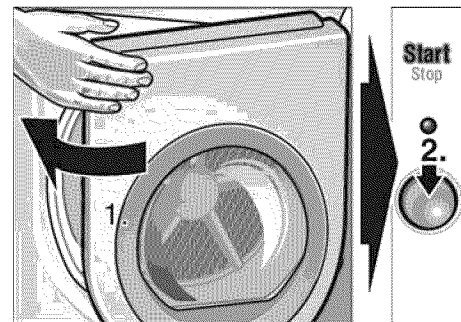


5. Introduisez le linge dans le tambour vide. Placez individuellement chaque pièce de linge dans la machine. Pour obtenir les meilleurs résultats, triez d'abord le linge en fonction du type de linge et du degré de séchage requis. La page 45 contient des informations plus détaillées.

i Respectez les symboles de séchage utilisés par le fabricant du linge. Si vous voulez sécher des vêtements en laine ou des chaussures, reportez-vous aux informations figurant aux page 50.

Assurez-vous qu'il n'y a que du linge dans le tambour. Vérifiez que toutes les pièces de linge se trouvent entièrement dans le tambour.

6. Refermez la porte.



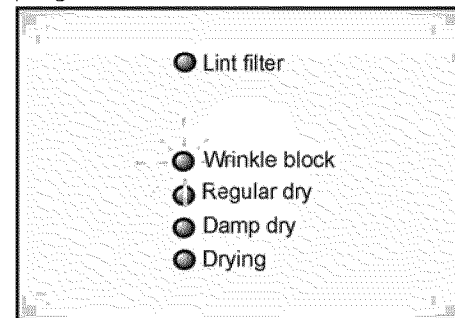
Le voyant «Start/Stop» se met à clignoter.

i Si vous n'avez pas fermé la porte correctement, le sèche-linge ne démarrera pas.

7. Appuyez sur le bouton «Start/Stop». Le voyant «Start/Stop» s'allume.

i Le programme démarre avec émission d'un signal sonore (si vous l'avez réglé).

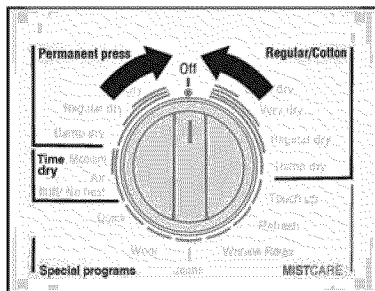
Si vous avez sélectionné un programme standard, les voyants indiquent le stade déroulement du programme.



i A la fin du programme, l'appareil émet un signal sonore (si vous l'avez réglé et le voyant lumineux «Wrinkle block» (protection antfroissage) s'allume.

i Une fois le processus de séchage terminé (le programme ou le programme à durée réglable a pris fin), le tambour continue de tourner par intermittence pendant 1 heure. Ceci empêche le linge de se froisser. Le linge repose non tassé et bien défoulé dans le tambour jusqu'à ce que vous l'enleviez. Il faudrait retirer le linge au plus tard une fois cette période écoulée.

8. Ouvrez la porte.
9. Sortez le linge du sèche-linge.



10. Amenez le programmateur sur «Off». L'éclairage du sèche-linge s'éteint.
11. Nettoyez le filtre. Il faudrait nettoyer le filtre après chaque séance de séchage. Le nettoyage du filtre réduit la durée de séchage et permet d'économiser de l'énergie.
12. Refermez le hublot.

Nettoyage du filtre à peluches

Un filtre sale accroît la durée de séchage ainsi que la consommation d'énergie.

Il faudrait nettoyer le filtre avant et après chaque séance de séchage.

Si un signal d'alarme et un message E01 avertissement sont émis pendant un programme de séchage, nettoyez le filtre immédiatement et vérifiez le conduit d'échappement.

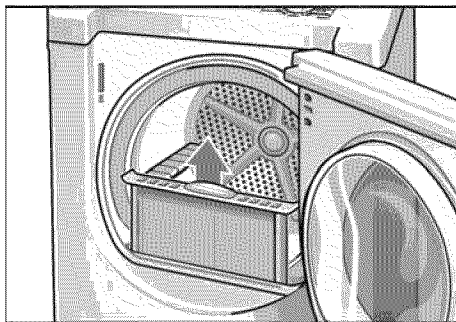
i Le programme s'interrompt automatiquement.

1. Eteignez le sèche-linge. Ramenez le programmateur sur «Off».

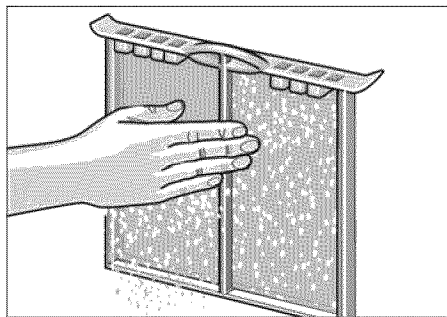
⚠ PRUDENCE

L'intérieur de la porte s'échauffe pendant le séchage.

2. Ouvrez la porte.

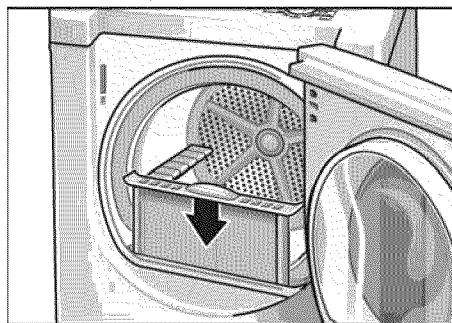


3. Retirez le filtre à peluches.



4. Retirez les peluches en passant la main sur le filtre.

Le filtre devrait être légèrement frotté deux fois par an avec de l'eau savonneuse chaude. Le filtre est nettoyé quand il ne tient plus l'eau. Séchez bien le filtre avant de le remettre en place.



5. Remettez le filtre en place.
6. Refermez la porte.

Utilisation du tiroir de séchage

(Accessoire, voir page 42)

i L'étendoir livré avec la sècheuse doit être utilisé pour faire sécher le linge conjointement avec le programme laine. Si l'étendoir n'est pas utilisé, le capteur mettra la sècheuse à l'arrêt au bout d'environ 7 minutes.

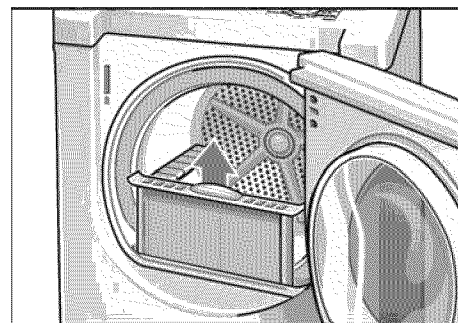
Servez-vous du tiroir de séchage pour sécher les textiles lavables en laine (les chandails par ex.) et les chaussures. Le tiroir de séchage reste immobile tandis que le tambour tourne. Evitez de déplacer la laine humide vu qu'elle a tendance à feutrer. Le séchage de chaussures sans utiliser le tiroir pourrait endommager le tambour.

NOTIFICATION

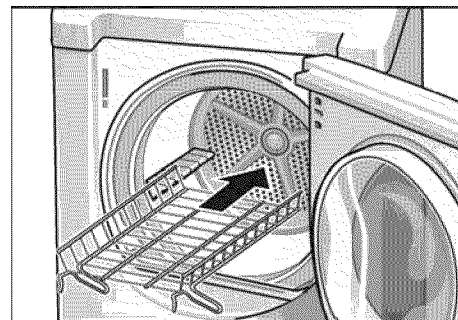
Ne faites sécher qu'un vêtement ou une paire de chaussures à la fois (charge maximale de linge sec 2,2 lbs (1 kg)). Il faut que le linge ait été essoré. Ne séchez que des chaussures préalablement lavées. Le linge ne doit pas toucher le tambour car il pourrait se coincer et être endommagé par le tambour. Après avoir utilisé le tiroir de séchage, retirez-le immédiatement du sèche-linge.

Insertion du tiroir de séchage

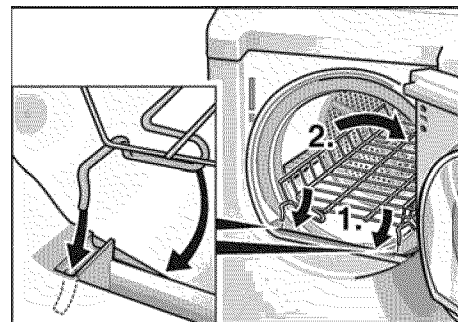
1. Ouvrez la porte du sèche-linge.
2. Vérifiez que le tambour est vide.



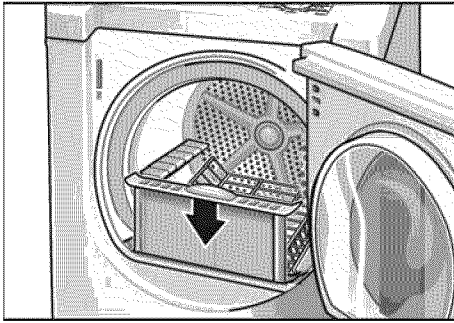
3. Retirez le filtre à peluches.



4. Soulevez le tiroir de séchage horizontalement pour l'introduire dans le tambour.



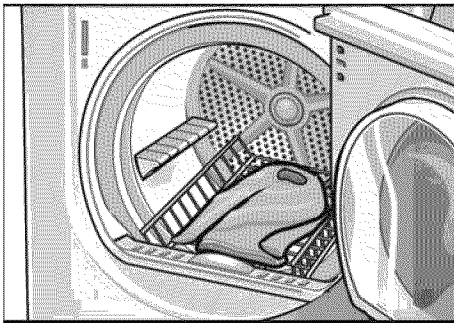
5. Placez le tiroir de séchage de telle sorte que les tiges pénètrent dans les trous de positionnement situés à l'avant.



6. Insérez le filtre à peluches.
Introduisez le filtre en veillant à ce qu'il soit bien aligné sur le bord du tambour!

Sécher des pièces de linge sur le tiroir

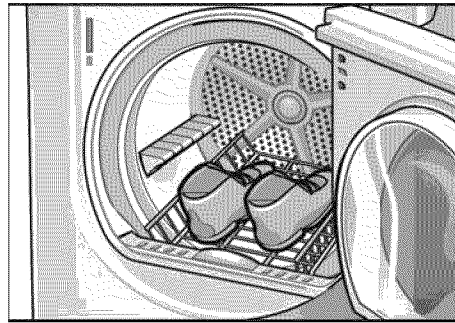
1. Pliez le linge pour qu'il rentre dans le tiroir.



2. Placez le linge non tassé dans le panier. N'appuyez pas sur le linge. Ce dernier ne doit pas toucher le tambour. Veillez à ce qu'aucune pièce de linge ne pende du tiroir.
3. Refermez le hublot.
4. Amenez le programmateur sur «Time dry/...min» (Séchage à durée réglable/...min).
- Sélectionnez la durée de séchage à partir du tableau suivant, en respectant le type de linge.

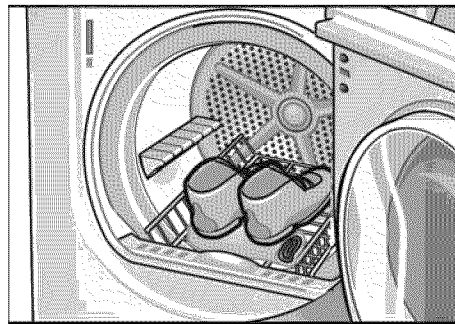
Séchage de chaussures sur le tiroir :

1. Préparez les chaussures.
- Nettoyez les chaussures pour empêcher le tambour de se salir.
 - Si vous préparez des chaussures de sport, étirez leur languette.
 - Desserrez ou retirez les lacets.
 - Retirez les semelles intérieures et les talonnettes.

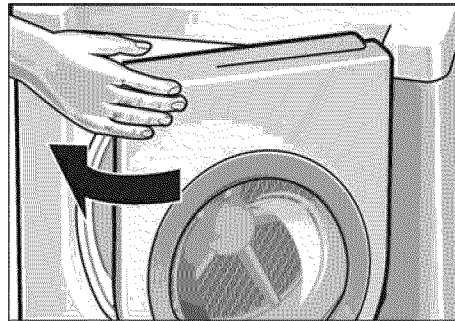


2. Placez les chaussures sur le panier.
- Directement sur le tiroir de séchage

ou



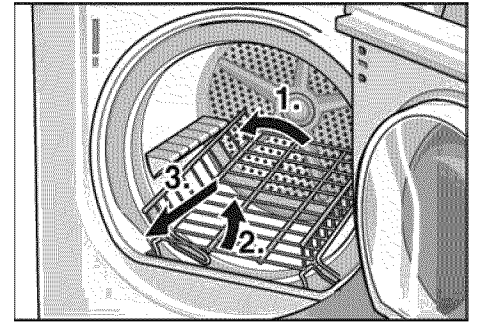
- Enroulez une serviette et placez les talons dessus. Ceci permettra d'obtenir un résultat de séchage plus uniforme.



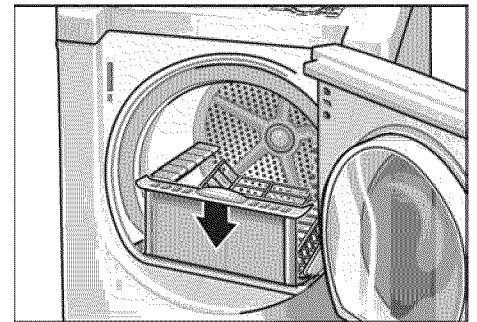
3. Refermez la porte.
4. Appuyez sur le bouton «Start/Stop». Le voyant «Start/Stop» s'allume.
5. Si la pièce de linge concernée contient encore une humidité résiduelle une fois écoulée la durée de séchage indiquée :
- Pliez cette pièce de linge de sorte que les parties humides se retrouvent exposées.
 - Relancez le programme et réduisez la durée du séchage en fonction du degré d'humidité résiduel requis.

6. Après le séchage, étalez le linge à l'air pendant approximativement 15 min. (les chaussures pendant env. 30 min.).

7. Retirez le filtre à peluches.



8. Sortez le tiroir de séchage du tambour.



9. Insérez à nouveau le filtre à peluches.

Nettoyage et entretien

Nettoyage du sèche-linge

AVERTISSEMENT

POUE EVITER RISQUE D'EXPLOSION !

Pour nettoyer, n'utilisez jamais de solvants ou de liquides inflammables.

NOTIFICATION

Un nettoyage incorrect peut endommager le sèche-linge. Ne le nettoyez pas avec un jet d'eau. N'utilisez pas de produits récurants ou de détergents multi-usage. N'utilisez pas non plus de nettoyeurs à vapeur.

Essayez le corps de l'appareil et le bandeau uniquement avec un chiffon doux additionné d'un peu d'eau savonneuse.

Essayez le tambour, le joint de la porte et l'intérieur de la porte uniquement avec un chiffon humide.

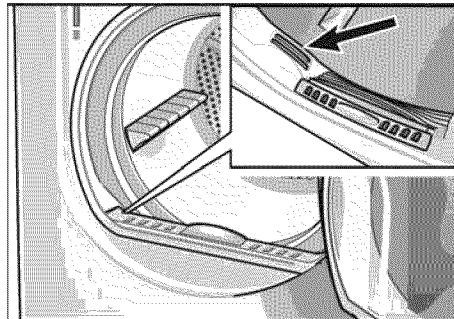
Nettoyage du conduit d'échappement

Inspectez et nettoyez le conduit d'échappement au moins une fois par an pour empêcher qu'il ne se bouche. Un conduit d'échappement partiellement obstrué allonge la durée de séchage.

- Ramener le disjoncteur en position éteinte
- Débranchez la fiche mâle de la prise de courant
- Débranchez le conduit du sèche-linge.
- Passez le conduit à l'aspirateur puis rebranchez-le.

Nettoyage des capteurs d'humidité

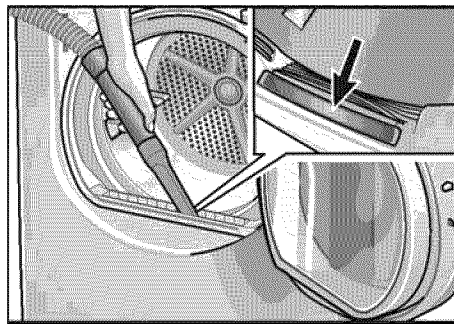
Il faut nettoyer les capteurs d'humidité de temps en temps vu qu'une couche fine de matière transparente se dépose dessus.



Ce dépôt s'enlève facilement en essuyant les capteurs (il s'agit des deux barres situées à côté du filtre à peluches) au moyen d'un chiffon et d'un peu de vinaigre blanc. N'utilisez que du vinaigre blanc. Nettoyez le capteur d'humidité une fois par mois.

Nettoyage de la flasque

A la longue, les peluches créées par le processus de séchage se rassemblent dans la flasque.



Ces peluches s'enlèvent facilement avec l'aspirateur ; nettoyez au moins une fois par mois.

Nettoyage du bec de MISTCARE™

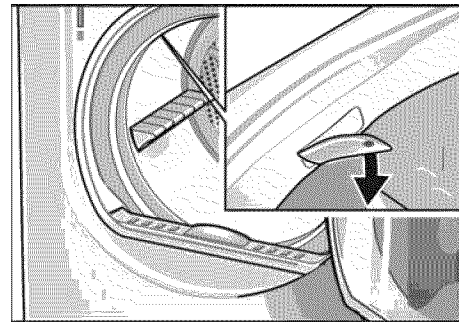
Inspectez une fois par an la sortie de bec. Si vous suspectez le colmatage, essuyez l'extérieur du bec avec un tissu humidifié du vinaigre. Si le gicleur est complètement bloqué, consultez le guide de dépannage (voir page 54) pour obtenir des instructions de démontage et de nettoyage. Si vous ne parvenez pas à déboucher le gicleur, appelez le service clientèle (voir page 55).

Changer l'ampoule de l'éclairage

Lorsque vous ouvrez la porte, l'éclairage du tambour s'allume à l'intérieur du tambour.

Pour changer l'ampoule :

- Placez le sélecteur de programme à "off".
- Ramener le disjoncteur en position éteinte.
- Débranchez la fiche mâle de la prise de courant.
- Ouvrez la porte et localisez l'ampoule sur le côté supérieur gauche du joint.



- Desserrez la vis du couvercle puis ouvrez ce dernier.
- Tournez l'ampoule en sens inverse des aiguilles d'une montre. Remplacez-la par une ampoule neuve adaptée à l'appareil (fournie par le service après-vente).

i Toutes les pièces sont disponibles auprès de notre site www.boschappliances.com ou en appelant le 1-800-944-2904.

- Remettez le couvercle en place puis fixez-le en position à l'aide de la vis.
- Rebranchez la fiche mâle du sèche-linge dans une prise de courant.

Dérangement et remèdes

AVERTISSEMENT

POUR ÉVITER LES RISQUES DE CHOC ÉLECTRIQUE !

La réparation ou le remplacement de pièces doivent être effectués seulement par un technicien qualifié ou un électricien certifié.

Avant d'appeler le service après-vente, vérifiez si vous ne pouvez pas supprimer la panne vous-même en vous servant du tableau ci-dessous. Si vous ne parvenez pas à la supprimer ou si une réparation s'impose :

1. Réglez le sélecteur de programme sur «Off».
2. Retirez le fusible.
3. Débranchez la fiche mâle de la prise de courant.
4. Appelez le service après-vente (voir page 55).

Problème	Cause possible	Remède
Le sèche-linge ne démarre pas. Le voyant «Start/Stop» ne s'allume pas.	Fiche mâle pas branchée du tout ou alors incorrectement dans la prise de courant.	Branchez la fiche mâle correctement dans la prise de courant.
	Un fusible / disjoncteur protégeant le secteur de la maison a grillé / disjoncté.	Remplacez le fusible / Réarmez le disjoncteur.
	Vous n'avez pas appuyé sur le bouton «Start/Stop»	Appuyez sur le bouton «Start/Stop»
	Vous n'avez pas sélectionné de programme.	Sélectionnez un programme.
	Porte pas fermée.	Refermez la porte.
	Température ambiante inférieure à 41 °F / 5 °C	Accroissez la température de la pièce
Le programme a été interrompu. L'appareil émet un signal d'avertissement et la mention «E:01» s'affiche sur l'écran.	Le filtre à peluches est sale.	Nettoyez le filtre comme décrit à la page 50. Eteignez l'appareil puis rallumez-le ensuite.
	Le conduit d'échappement d'air obstrué ou trop long.	Nettoyez le conduit d'échappement. Ramenez la longueur du conduit d'échappement à la longueur maximale, comme décrit à la page 42. Eteignez l'appareil puis rallumez-le ensuite.
	Défaut dans le déroulement du programme ou dysfonctionnement.	Eteignez le sèche-linge, laissez-le refroidir pendant 30 minutes puis rallumez-le. Relancez ensuite le programme.
	La pièce / le réduit n'est pas correctement aéré.	Prévoyez un apport suffisant d'air frais. Eteignez l'appareil puis rallumez-le ensuite.
Degré de séchage pas atteint ou durée de séchage trop longue. La mention «E:03» peut s'afficher sur l'écran	Capteur d'humidité sale.	Nettoyez le capteur d'humidité comme décrit à la page 52. Eteignez l'appareil puis rallumez-le ensuite.
	Conduit d'échappement d'air obstrué ou trop long.	Nettoyez l'orifice de sortie du conduit d'échappement. Ramenez la longueur du conduit d'échappement à la longueur maximale, comme décrit à la page 42. Eteignez l'appareil puis rallumez-le ensuite.
	Le filtre à peluches est sale.	Nettoyez le filtre comme décrit à la page 50. Eteignez l'appareil puis rallumez-le ensuite.
	Linge trop humide.	Dans le lave-linge, essorez le linge à une vitesse plus élevée. Eteignez l'appareil puis rallumez-le ensuite.
	Sélection d'un programme inadapté.	Sélectionnez le programme en vous servant du tableau de sélection des programmes (voir page 46). Eteignez l'appareil puis rallumez-le ensuite.
	Dépassement de la durée maximale de séchage	Nettoyez le filtre (voir page 50). Vérifiez l'orifice de sortie du conduit d'échappement. Dans le lave-linge, essorez le linge à une vitesse plus élevée.
	Dépassement de la température limite du moteur.	Eteignez le sèche-linge, laissez-le refroidir pendant 30 minutes. Rallumez-le ensuite. Faites démarrer un programme.
	Le degré de sécheresse n'a pas été réglé correctement.	800 Series, les cadres de changement pour le degré de sécheresse, voir la page 48
L'éclairage du tambour ne fonctionne pas.	Vous n'avez pas sélectionné de programme.	Sélectionnez un programme.
	Lampe défectueuse, ampoule grillée.	Changez l'ampoule, voir page 52.
	L'éclairage ne reçoit pas d'électricité.	Veillez à ce que l'électricité arrive.
	L'ampoule est lâché.	Serrez l'ampoule. Enlevez et réinstallez la couverture comme dirigé à la page 50.

Problème	Cause possible	Remède
Le voyant «Start/Stop ne s'allume pas. Le voyant «Wrinkle block» est allumé. La mention «000» s'affiche sur l'écran.	Défaut dans le déroulement du programme ou dysfonctionnement.	Eteignez le sèche-linge, laissez-le refroidir pendant 30 minutes puis rallumez-le. Relancez ensuite le programme.
Le filtre LED de fibre clignote après que le filtre de fibre ait été nettoyé.	Le clignotement du filtre LED de fibre n'est pas une indication d'un problème. Il est employé seulement comme rappel pour nettoyer le filtre de fibre.	Aucune action requise. La LED cessera le clignotement.
Bruit inhabituel Cognement	Les galets de suspension du tambour ont besoin de temps pour se réchauffer.	Aucune action requise. Lorsque les galets du système de suspension se réchaufferont, le cognement diminuera et devrait cesser après 2 ou 3 minutes de fonctionnement du sèche-linge.
Bruit inhabituel Vibration constante	Le sèche-linge n'est pas de niveau.	Mettez le sèche-linge de niveau (consultez la section du manuel intitulée « Instructions d'installation »).
Bruit inhabituel Vibration rythmique	Lessive en boule causant le bondissement de la charge.	Arrêtez le sèche-linge, séparez les pièces de linge et faites redémarrer le sèche-linge.
Unusual noise: Rhythmic vibration	Laundry balled up causing load to bounce.	Stop dryer, separate load items, restart dryer.
L'eau n'est pas vaporisée dans l'unité pendant les cycles MISTCARE™	Robinet(s) d'eau non ouvert.	Ouvrez le robinet d'eau.
	La fonction de sécurité du tuyau AQUASTOP® est activée.	Confirmez l'activation du tuyau AQUASTOP® en effectuant une inspection visuelle de l'indicateur rouge se trouvant dans le tuyau (voir page 37). Si l'indicateur rouge est visible (tuyau activé), remplacez le tuyau.
	Gicleur bloqué	Retirez le gicleur à l'aide d'une clé à douilles de 7/16 po. Placez le gicleur dans un récipient rempli de vinaigre de manière à recouvrir le gicleur. Laissez le vinaigre agir sur le gicleur pendant cinq minutes, puis essuyez délicatement l'embout du gicleur à l'aide d'une brosse à dents pour enlever les résidus. Rincez le gicleur et remettez-le en place dans le sèche-linge et serrez à la main, puis serrez de 1 tour de plus avec la clé.

SERVICE ET RÉPARATIONS

⚠ AVERTISSEMENT

AVERTISSEMENT – Répertoriez tous les fils avant tout débranchement de l'appareil lors de l'entretien des commandes. Les erreurs de câblage peuvent entraîner un mauvais fonctionnement de l'appareil pouvant causer de sérieux dégâts à l'appareil ou des blessures corporelles. Vérifiez que l'appareil fonctionne bien après tout dépannage.

Ce sèche-linge ne demande aucun entretien particulier autre que les opérations de nettoyage et entretien précédemment mentionnées.

i Si vous avez un problème avec votre sèche-linge, consultez le tableau de dérangement et remèdes à la page 53, avant d'appeler le service après-vente.

Si des opérations de SAV s'avèrent nécessaires, veuillez contacter votre installateur ou un point de SAV agréé. Ne tentez pas de réparer l'appareil par vos propres moyens. Toute réparation accomplie par des personnes non autorisées risque de vous faire perdre le bénéfice de la garantie.

Si le sèche-linge vous cause un problème quelconque, et si les prestations reçues ne vous ont pas satisfait,

- Commencez s.v.p. par contacter votre installateur ou l'entreprise de SAV Bosch agréée située dans votre région, et expliquez-lui les raisons de votre mécontentement. Ceci suffira normalement à résoudre le problème.
- Si le problème persiste après avoir collaboré avec votre installateur ou avec le technicien du SAV, faites-nous le savoir soit en nous écrivant à l'adresse suivante,

BSH Home Appliances Corporation
5551 McFadden Ave.
Huntington Beach, CA 92649,
USA

soit en nous appelant au numéro suivant :

1-800-944-2904.

Si vous nous écrivez, n'oubliez pas de joindre / Si vous nous appelez, n'oubliez pas de préparer, les informations suivantes :

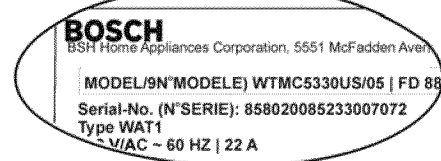
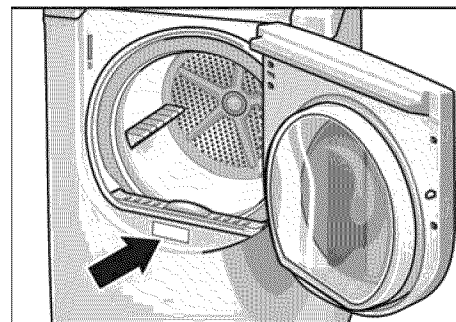
- Le numéro du modèle
- Le numéro de série
- La date d'achat d'origine
- La date d'apparition du problème
- Une description du problème

De même, si vous nous écrivez, veuillez joindre une copie de la facture et nous indiquer un numéro de téléphone où nous pouvons vous joindre dans la journée.

Vous trouverez le numéro du modèle et le numéro de série sur la plaque signalétique située sur la face intérieure du panneau avant.

L'image ci-dessous illustre l'emplacement approximatif de la plaque signalétique. Le numéro de modèle est entouré d'un rectangle. Le numéro de série est situé sous le numéro de modèle.

Un exemple est montré ci-dessous.



Le fabricant se réserve le droit d'effectuer des modifications au produit ou au manuel sans avis préalable.

ÉNONCÉ DE GARANTIE DE PRODUIT LIMITÉE

Lave-linge Bosch Nexxt®

Couverture de la garantie et application : La garantie limitée fournie par BSH Home Appliances Corporation (Bosch) dans cet énoncé de garantie de produit limitée s'applique seulement au lave-linge Bosch Nexxt® (le « Produit ») vendu au premier acheteur utilisateur, mais à la stricte condition que le Produit ait été acheté : (1) pour un usage domestique normal (non commercial) et qu'il ait effectivement, en tout temps, été utilisé uniquement à des fins domestiques normales (tout usage commercial ou dans un environnement commercial de ce Produit annule automatiquement la garantie) ; (2) neuf au détail (non comme modèle exposé, « tel quel » ou préalablement retourné), acheté directement par le consommateur final, et non pour la revente ou l'utilisation commerciale ; et (3) aux États-Unis ou au Canada, et qu'il soit en tout temps demeuré dans le pays de l'achat d'origine. Les garanties énoncées aux présentes s'appliquent seulement au premier acheteur du Produit et ne sont pas cessibles. La garantie est automatiquement annulée si le Produit était un modèle exposé, s'il a été vendu « tel quel », trafiqué, s'il est abîmé ou s'il a été « vendu légèrement endommagé », ou si c'est un modèle qui a été préalablement retourné, octroyé gratuitement, un don de bienfaisance ou un prix de concours.

- S'assurer de retourner la carte d'enregistrement : Quoique non nécessaire pour que la couverture de la garantie prenne effet, elle constitue le meilleur moyen pour Bosch de vous prévenir dans l'éventualité improbable d'un avis de sécurité ou d'un retrait de produit.

Durée de la garantie Bosch garantit que le Produit est exempt de défaut de matière ou de fabrication pendant une période de trois-cent-soixante-cinq jours (365) jours à compter de la date d'achat. Cette période commence à courir à partir de la date

Réparation ou remplacement du produit comme recours exclusif : Pendant cette période de garantie, Bosch ou l'un de ses prestataires de services agréés réparera le Produit sans frais de votre part (sous réserve de certaines limitations énoncées aux présentes) s'il s'avère que la fabrication du Produit présente un défaut de matière ou de fabrication. Si des tentatives raisonnables de réparation du Produit ont été faites sans succès, alors Bosch remplacera le Produit (des modèles mis à niveau peuvent être mis à votre disposition), à la seule discrétion de Bosch, moyennant des frais supplémentaires). Tout composant ou pièce enlevés deviennent la propriété de Bosch, à sa seule option. Toute pièce remplacée et/ou réparée doit assumer l'identité de la pièce d'origine aux fins de la présente garantie, et cette dernière ne sera pas prolongée au regard de ces pièces. La seule obligation et responsabilité de Bosch en vertu des présentes est de réparer seulement le Produit présentant un défaut de fabrication, par l'entremise d'un prestataire de services agréé Bosch aux heures normales de travail. Pour des questions de sécurité et de dommages à la propriété, Bosch recommande vivement de ne pas tenter de réparer soi-même le Produit, ni d'utiliser un service de réparation non autorisé. Bosch décline toute responsabilité ou obligation pour les réparations ou le travail effectués par un service de réparation non autorisé. Si vous choisissez de faire réparer le Produit par une personne autre qu'un prestataire de services agréé, CETTE GARANTIE DEVIENDRA AUTOMATIQUEMENT NULLE ET NON AVENUE. Les prestataires de services agréés sont des personnes ou des compagnies qui ont été spécialement formées pour les produits Bosch et qui possèdent, de l'avis de Bosch, une excellente réputation pour le service à la clientèle et des aptitudes techniques (il est à noter qu'il s'agit d'entités indépendantes et *non* des agents, partenaires, affiliés ou représentants de Bosch). Nonobstant les dispositions précédentes, Bosch n'assumera aucune responsabilité ou obligation à l'égard du Produit s'il est situé dans une région éloignée (plus de 100 miles (160 km) d'un prestataire de services agréé) ou s'il est raisonnablement inaccessible ou à un endroit, dans une zone ou dans un environnement dangereux, menaçants ou hasardeux ; dans un tel cas, si vous en faites la demande, Bosch pourrait payer les frais de main-d'œuvre et de pièce et expédier les pièces au prestataire de service agréé le plus proche, mais vous seriez quand même entièrement responsable pour tout déplacement ou autres frais spéciaux requis par le service de réparation, à supposer qu'il accepte d'effectuer une visite de réparation.

Garantie limitée prolongée :

DURÉE DE LA GARANTIE	PORTÉE DE LA GARANTIE
Garantie limitée de 2 ans À compter de la date d'achat	Bosch fournira gratuitement les pièces de rechange de tout élément constituant s'avérant défectueux dans des conditions normales d'utilisation domestique pendant les deux premières années courantes à compter de la date d'achat, frais d'expédition normaux (non accélérés) inclus, frais de main-d'œuvre exclus.
Garantie limitée de 2 ans sur les composants électroniques À compter de la date d'achat	Bosch réparera ou remplacera gratuitement tout microprocesseur ou carte à circuits imprimés s'avérant défectueux dans des conditions normales d'utilisation domestique pendant les deux premières années courantes à compter de la date d'achat, frais de main-d'œuvre exclus.
Garantie limitée de 2 ans sur le moteur À compter de la date d'achat	Bosch réparera ou remplacera gratuitement tout moteur ou composant du moteur s'avérant défectueux dans des conditions normales d'utilisation domestique pendant les deux premières années courantes à compter de la date d'achat, frais de main-d'œuvre exclus.

Produit hors garantie Bosch n'est nullement tenu, en droit ou autrement, de vous offrir toute concession, y compris réparations, tarifs proportionnels ou remplacement de Produit, une fois la garantie expirée.

Exclusions de la garantie : La couverture de garantie décrite aux présentes exclut tout défaut ou dommage ne découlant pas d'une faute directe de Bosch, y compris sans limitation, un ou plusieurs des cas suivants : (1) utilisation du Produit d'une façon autre que normale, habituelle et prévue (y compris, sans limitation, toute forme d'utilisation commerciale, utilisation ou rangement d'un produit pour l'intérieur à l'extérieur, utilisation du Produit avec des vaisseaux aériens ou flottants) ; (2) mauvaise conduite volontaire de toute partie, conduite négligente, mauvaise utilisation, abus, accidents, négligence, exploitation irrégulière, manquement à l'entretien, installation inadéquate ou négligée, altération, manquement à observer les instructions de fonctionnement, manipulation sans précaution, service non autorisé (y compris le « bricolage » fait soi-même ou l'exploration du fonctionnement interne de l'appareil) ; (3) réglage, altération ou modification de toute sorte ; (4) manquement à se conformer à tous les codes électriques, de plomberie et/ou de construction de l'état, locaux, municipaux ou du comté, règlements ou lois en vigueur, y compris le manquement à installer le Produit strictement en conformité avec les codes et règlements d'incendie et de construction locaux ; (5) usure et détérioration normales, déversements d'aliments, de liquides, accumulation de graisse, ou autres substances accumulées sur, dans ou autour du Produit ; et (6) toute force et facteur externes, élémentaires et/ou environnementaux, y compris sans limitation, pluie, vent, sable, inondations, incendies, glissements de terrain, gel, humidité excessive ou exposition prolongée à l'humidité, foudre, surtensions, défauts de structure environnante de l'appareil, et catastrophes naturelles. En aucun cas Bosch n'assumera la moindre obligation ou responsabilité pour des dommages survenus à la propriété environnante, y compris armoires, planchers, plafonds et autres structures ou objets autour du Produit. Également exclus de la garantie sont les égratignures, éraflures, encoches mineures et dommages esthétiques sur les surfaces externes et les pièces exposées ; Les produits dont les numéros de série ont été modifiés, effacés ou enlevés ; les visites de service pour montrer au client comment utiliser le Produit ou les visites alors que le Produit ne présente aucun problème ; la correction de problèmes d'installation (vous êtes uniquement responsable de toute structure et réglage du Produit, y compris électricité, plomberie ou autres services utilitaires, pour un plancher/fondation appropriés et pour toute modification y compris, sans limitation, des armoires, murs, planchers, étagères, etc.) ; et pour la remise en fonction des coupe-circuits ou fusibles. **DANS LA MESURE OU LA LOI LE PERMET, LA PRÉSENTE GARANTIE ÉNONCE VOS RECOURS EXCLUSIFS À L'ÉGARD DU PRODUIT, QUE LA RÉCLAMATION SOIT DE NATURE CONTRACTUELLE OU DÉLICTEUELLE (Y COMPRIS LA RESPONSABILITÉ ABSOLUE OU LA NÉGLIGENCE) OU AUTRE. LA PRÉSENTE GARANTIE REMPLACE TOUTES LES AUTRES GARANTIES, EXPRESSES OU IMPLICITES. TOUTE GARANTIE IMPLICITE EN VERTU DE LA LOI, QUE CE SOIT À DES FINS DE QUALITÉ MARCHANDE OU D'ADAPTATION À UN BUT PARTICULIER, OU AUTREMENT, EST EN VIGUEUR UNIQUEMENT PENDANT LA PÉRIODE AU COURS DE LAQUELLE LA PRÉSENTE GARANTIE LIMITÉE EXPRESSE EST EN VIGUEUR. LE FABRICANT NE SERA EN AUCUN CAS RESPONSABLE DES DOMMAGES, PERTES OU FRAIS CONSÉCUTIFS, PARTICULIERS, ACCESSOIRES, INDIRECTS, ET/OU PUNITIFS, DES « PERTES COMMERCIALES », Y COMPRIS, NOTAMMENT, LE TEMPS D'ABSENCE AU TRAVAIL, L'HÉBERGEMENT ET/OU LES REPAS AU RESTAURANT, LES FRAIS DE REMANIEMENT EN EXCÉDENT DES DOMMAGES DIRECTS QUI SONT MANIFESTEMENT CAUSÉS EXCLUSIVEMENT PAR BOSCH OU AUTREMENT. CERTAINS ÉTATS NE PERMETTENT PAS L'EXCLUSION OU LA LIMITATION DES DOMMAGES ACCESSOIRES OU INDIRECTS ET CERTAINS ÉTATS NE PERMETTENT PAS LA LIMITATION SUR LA DURÉE D'UNE GARANTIE IMPLICITE, DE SORTE QUE LES LIMITATIONS CI-DESSUS PEUVENT NE PAS S'APPLIQUER À VOTRE CAS. LA PRÉSENTE GARANTIE VOUS DONNE DES DROITS JURIDIQUES SPÉCIFIQUES ET VOUS POUVEZ AVOIR ÉGALEMENT D'AUTRES DROITS QUI VARIENT D'UN ÉTAT À L'AUTRE.** Aucune tentative d'altérer, de modifier ou d'amender la présente garantie ne peut être effective à moins d'une autorisation écrite par un représentant de BSH.

Obtention du service sous garantie : Pour obtenir le service sous garantie pour votre Produit, contactez le centre de service autorisé de Bosch le plus proche.

BSH Home Appliances Corporation – 5551 McFadden Avenue, Huntington Beach, CA 92649 / 800-944-2904