

INSTALLATION
INSTRUCTIONS

INSTRUCTIONS
D'INSTALLATION

INSTRUCCIONES
DE INSTALACIÓN

T36BT71FS
T36BT71FSE

Thermador[®]

9000 498 118

INSTALLATION INSTRUCTIONS 4

INSTRUCTIONS D'INSTALLATION..... 23

INSTRUCCIONES DE INSTALACIÓN 43



Content

Before you Begin	4
General	4
Definitions	4
Important information	4
Installation options	5
Individual unit	5
Individual appliances with partition	5
At the end of the kitchen units	5
Installation location	6
Installation room	6
Installation cavity	6
Furniture/fixtures	6
Base	6
Connecting the power	7
Connecting the water	7
Installation dimensions	8
Appliance dimensions	9
Required accessories and tools	10
Supplied accessories	10
Optional accessories	10
Other required accessories from specialist outlets	10
Tools	10
Other	10
Installation instructions	11
1. Checking the installation cavity	11
2. Transport of the appliance	11
3. Removing the packaging	12
4. Installation preparation	13
5. Preparing the installation cavity	13
6. Attaching an alternative anti-tip device	14
7. Preparing to connect the water	15
8. Attaching the edge protection	15
9. Pushing the appliance into the installation cavity	16
10. Removing stainless steel front panel from the freezer compartment drawer	17
11. Aligning the appliance	17
12. Attaching the appliance in the cavity	18
13. Connecting the water to the appliance	19
14. Attaching the toe kick panel	19
15. Attaching stainless steel front panel to the freezer compartment drawer	20
16. Commissioning the appliance	21
17. Attaching the covers	21
18. Adjusting the door opening angle (refrigerator compartment door)	21
19. Changing the door spring	22

Before you Begin

Read these instructions completely and carefully.

WARNING

These appliances are top-heavy and must be secured to prevent the possibility of tipping forward. Anti-tip protection is required.

Keep doors closed until the appliance is completely installed and secured per installation instructions.

Due to the weight and size of this appliance, and to reduce the risk of personal injury or damage to the product – **TWO PEOPLE ARE REQUIRED FOR PROPER INSTALLATION.**

This appliance must be properly grounded. See the section on “Connecting the power”.

Use this appliance only for its intended purpose.

Immediately repair or replace electric service cords that become frayed or damaged.

Unplug the appliance or switch off the fuse before cleaning or making repairs.

Repairs should be made by a qualified service technician.

CAUTION

Skill - Level - Installation of this appliance requires basic mechanical, carpentry and plumbing skills.

Proper installation is the responsibility of the installer. Product failure due to improper installation is not covered under the Appliance Warranty.

See the Owner's Manual for warranty information.

IMPORTANT

Save these instructions for local inspector's use. Observe all governing codes and ordinances.

Note to Installer - Be sure to leave these instructions with the Consumer.

Note to Consumer - Keep these instructions with your Owner's Manual for future reference.


General

These installation instructions are intended for use by qualified installers. All connections for water, electrical power and grounding must comply with local codes and ordinances and be made by licensed personnel when required. In the absence of a local code:

- In the U.S.A., in accordance with the National Electric Code, ANSI/NFPA70 - latest edition/State and Municipal codes and/or local codes.
- In Canada, in accordance with the Canadian Electric Code C22.1 - latest edition/Provincial and Municipal codes and/or local codes.

Definitions

	WARNING	
WARNING – This indicates that death or serious injuries may occur as a result of not observing this warning.		

	CAUTION	
CAUTION – This indicates that minor or moderate injuries or damage may occur as a result of not observing this warning.		

NOTE		
IMPORTANT NOTE / NOTE – This is used to draw the user's attention to something in particular.		

Important information

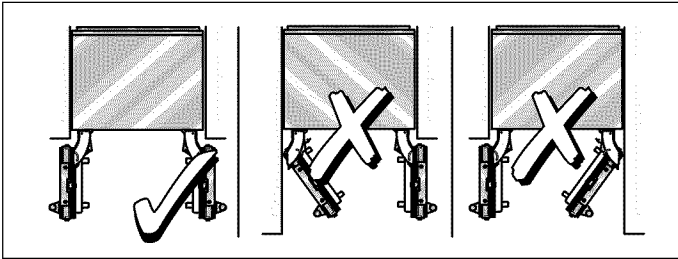
The importance of complying with all regulations and instructions in this installation manual cannot be emphasised enough. The installation should be carried out by a qualified fitter.

Before starting the installation, always read this installation manual in full. It contains important details which the fitter must observe. Provided this manual is read thoroughly, the installation will be simple, trouble-free and, most importantly, safe.

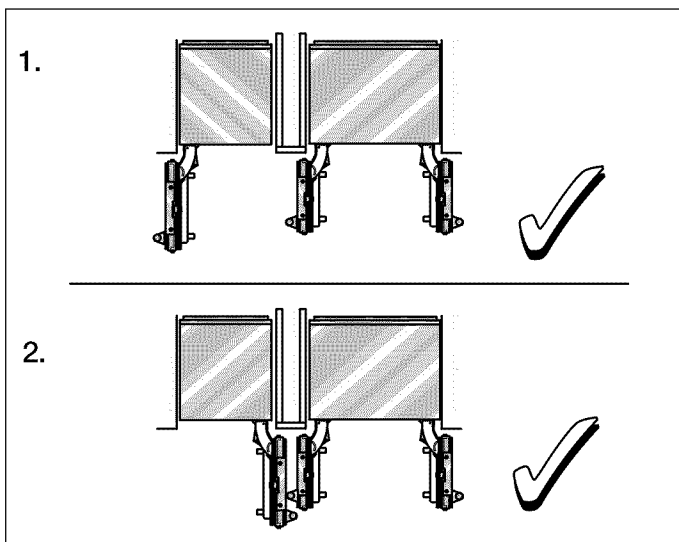
Installation options

The different installation options are limited only by the design of the kitchen and the function of the finger guard.

Individual unit



Individual appliances with partition



- When dimensioning the partition for model 2, note the thickness of the furniture fronts to prevent damage if the doors are opened at the same time.
- Use the Extreme Combination Side-by-Side Heating kit if the gap between the appliances is less than 6" (160 mm).
See the section on "Optional accessories".
- Minimum thickness of the partition $\frac{5}{8}$ " (16 mm).



At the end of the kitchen units

If one side of the appliance is visible, a side panel must be used.

The side panel must be connected firmly to the wall, the floor and overhead furniture/fixtures before the appliance is placed in the cavity.

The dimensions of the side panel are taken from the opposite cavity wall. During installation ensure that the cavity is square and the exact size.

Installation location

 WARNING 	
Do not install the appliance:	
<ul style="list-style-type: none">– outdoors,– in an environment with dripping water,– in rooms which are at risk of frost.	
Appliance is very heavy – for empty weight see the following table:	
BM (Bottom Mount) 36"	approx. 430 lbs / 195 kg

Installation room

The appliance should be installed in a dry, ventilated room.

The ambient temperature should not drop below 55 °F (13 °C) or rise above 110 °F (43 °C), otherwise malfunctions may occur.

The installation location should not be exposed to direct sunlight and not placed near a heat source, such as an oven, radiator, etc. If installation next to a heat source is unavoidable, use a suitable insulating plate or observe the following minimum distances from the heat source:

- 1¹/₄" (30 mm) from an electric cooker,
- 12" (300 mm) from an oil or solid-fuel cooker.

Installation cavity

It is important to observe the specified dimensions of the installation cavity for a trouble-free installation of the appliance and for the subsequent general view of the furniture front.

In particular ensure that the cavity is square.

Squareness can be checked by suitable means, e.g. spirit level, diagonal measurements, etc..

The side walls of the cavity must be flush.

The minimum thickness of side walls and the top wall must be ⁵/₈" (16 mm).

The minimum thickness of toe kick panel must be ¹/₂" (13 mm).



A thickness of ³/₄" (19 mm) is recommended.

Furniture/fixtures

The new appliance is screwed securely to adjacent and overhead furniture/fixtures.

For this reason it is essential that all attachable furniture/fixtures are connected securely to the base or the wall by suitable means.

Base

 WARNING 	
A fully-load appliance is very heavy – for the load-bearing capacity at least see the following table:	
BM (Bottom Mount) 36"	approx. 1200 lbs / 540 kg



To ensure that the appliance is installed securely and functions properly, the base must be flat and level.

The base must be made of a hard, rigid material.

The installation area must be the same height as the rest of the room.

On account of the heavy weight of a fully loaded appliance, a load-bearing base is required. If in doubt, contact an architect or a building expert.

Connecting the power

 WARNING 	
Electrical Shock Hazard	
<ul style="list-style-type: none">– Plug into a grounded 3 prong outlet.– Do not remove ground prong.– Do not use an adapter.– Do not use an extension cord.	
Failure to follow these instructions can result in death, fire, or electrical shock.	

The appliance comes with a 3-wire power supply cord, UL listed in the USA.

The appliance requires a 3-wire receptacle.

The receptacle must be installed by a licensed electrician only.

The socket must be fused with a 10 to 16 A fuse. Please observe in this coherence the following table:

Appliance	Maximum load at one time
Bottom Freezer 36"	6.0 Ampere

Orient ground prong to the bottom as shown in the pictures.

For the installation position of the receptacle see "Installation dimensions".



Additional grounding procedure

Some local regulations may require a separate ground. In such cases, the required accessory ground wire, clamp and screw must be purchased separately.

Never ground the appliance to plastic plumbing lines, gas lines or water pipes.

Grounding instruction

This appliance must be grounded. In the event of a malfunction or breakdown, grounding will reduce the risk of electric shock by providing a path of least resistance for the electric current.

 WARNING 	
Improper connection of the equipment grounding conductor may result in electric shock. Have the appliance checked by a qualified electrician or service technician if you are in doubt as to whether the appliance has been properly grounded.	

Connecting the water

 CAUTION 	
Only connect the appliance to drinking water!	

A cold water connection is required for operation of the automatic ice maker. The water pressure must be between 25 and 120 p.s.i. (1.72–8.25 bar). The installation must comply with local plumbing regulations.

A separate shut-off valve must be installed for the appliance water connection.

The shut-off valve for the water connection must not be behind the appliance. It is recommended to place the shut-off valve directly next to the appliance (base unit) or in another easily accessible location.

When installing the water connection, observe the permitted installation areas for the pipe. For the permitted installation areas and dimensions see "Installation dimensions".

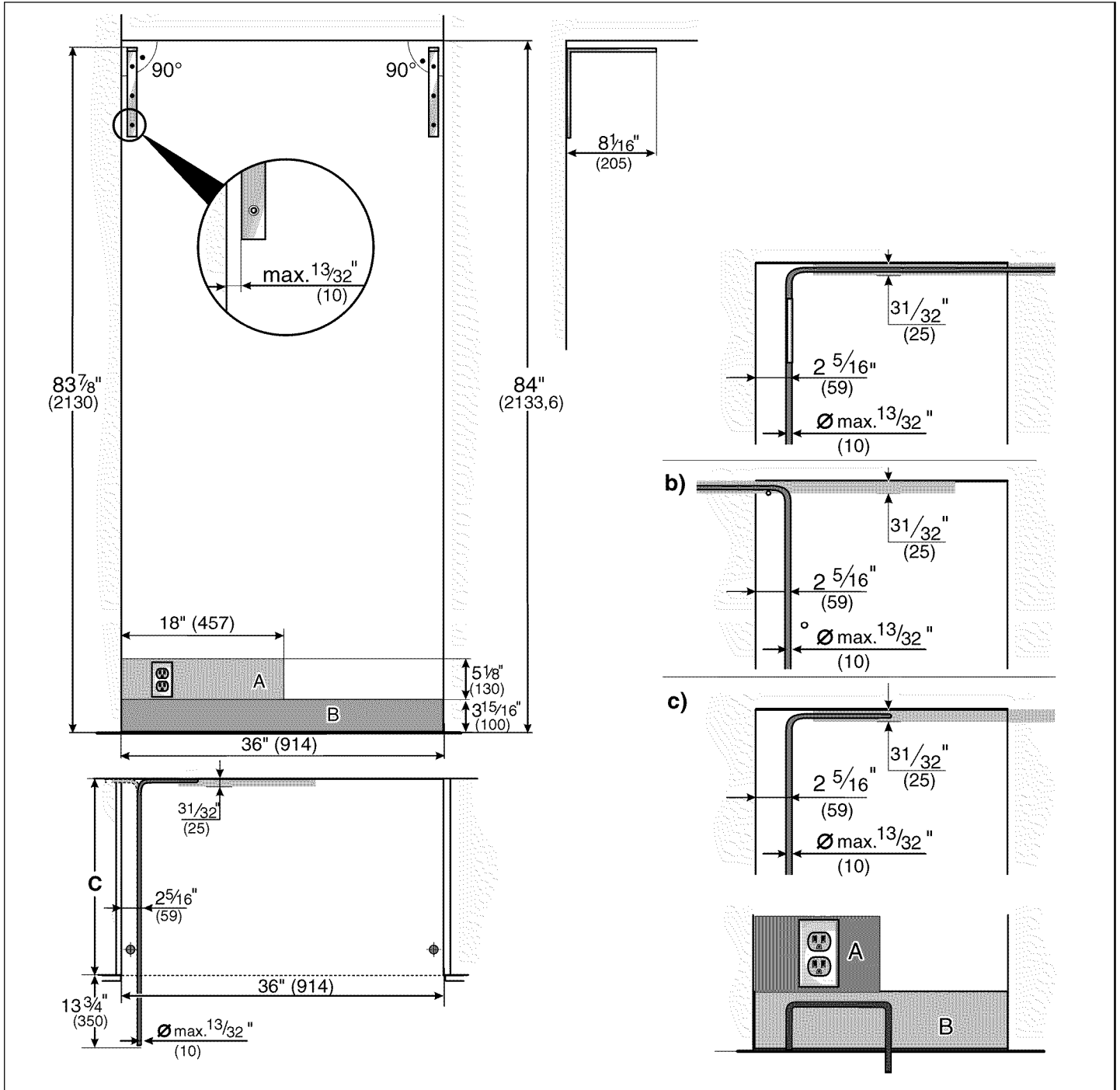
The supply pipe can be located at the side on the right (a), at the side on the left (b) or underneath (c).

Maximum outer diameter of the water pipe (without fittings): $1\frac{3}{32}$ " (10 mm).

Attach a separate shut-off valve for the water connection in a suitable, easily accessible location. Do not use a self-piercing valve!

Installation dimensions

Single installation

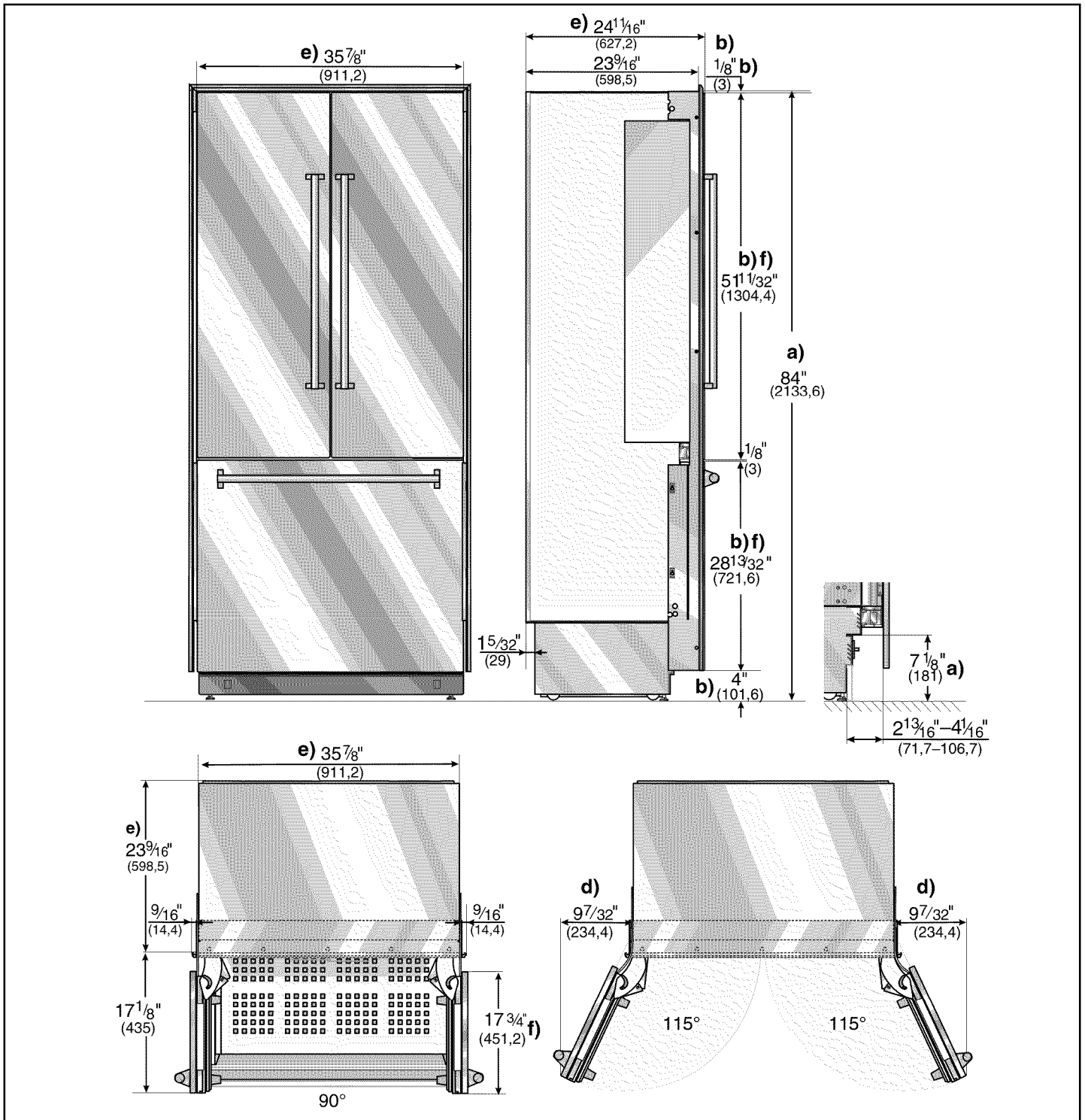


Legend:

- A Area for installation of the power connection
- B Area for installation of the water connection
- D Opening depth of niche, depending on kitchen design
D = 24" (610 mm) minimum

NOTE: Cavity must be square.
Side wall of the cavity must be flush

Appliance dimensions



Legend:

- a) Adjustment in levelling legs $+1\frac{3}{8}" (35\text{ mm}) / -\frac{1}{2}" (13\text{ mm})$.
- b) Dimensions may vary.
- d) This dimension may vary depending on installation, panel thickness and kitchen hardware.

- e) Unit dimensions
- f) Wooden door panel dimensions

Required accessories and tools

Supplied accessories

- Installation instructions
- Operating instructions
- Installation kit

Optional accessories

Extreme Combination Side-by-Side Heating kit

If the gap between the appliances is less than 6" (160 mm).

Other required accessories from specialist outlets

Ice maker installation kit 1/4" OD copper line

For connecting appliances which require water, e.g. for an ice maker.

- i** Maximum outer diameter of the water pipe (without fittings): $1\frac{3}{32}$ " (10 mm).

Tools

- Cordless screwdriver T20
- Torx screwdriver T20
- Torx bit T20 + magnetic holder
- $\frac{5}{16}$ " (8 mm) hex nut driver
- Wood drills in different sizes
- Open end wrench $\frac{1}{2}$ " (SW 13 mm)
- Multigrip pliers
- Adjustable wrench
- Cutter with adjustable blade
- Metal tape measure
- Square
- Spirit level length 2' (60 cm) and 4' (1,2 m)
- Marking-out level, length at least 4' (1.2 m) for individual appliances or 7' (2.0 m) for Side-by-Side installation

Other

- Stepladder
- Dolly, hand truck
- Hammer drill for drilling holes in wall or floor
- Bits according suitable for material and in different sizes
- Wooden beam (cross section min. 3" x 4" (75 x 100 mm²) as an alternative tilt protection, length according to the width of the installation cavity
- Wooden screws in different sizes
- Thin (max. $\frac{1}{16}$ " (1.5 mm)), suitable material to protect the floor from damage (e.g. lino)
- Suitable material for covering and protecting furniture (e.g. protective sheets)
- Adhesive tape

NOTE

Before using, check whether the removed adhesive tape leaves adhesive residue on the work surfaces! Otherwise do not use on high-quality work surfaces.

Installation instructions

1. Checking the installation cavity

CAUTION

To ensure a safe, trouble-free installation and an optimum overall view of the subsequent furniture front, thoroughly check that the installation cavity complies with the installation requirements.

Before starting the installation, check that the installation cavity complies with all requirements for a safe and trouble-free installation.

- Check the base.
Follow the instructions in the section on “Installation location”.
- Check the dimensions of the cavity.
- Check that the cavity is square.
- Check location of the socket.

Also follow the instructions in the section on “Connecting the power” and in the section on “Installation dimensions”.

- Check location of the water connection (only for appliances with ice maker).

Also follow the instructions in the section on “Connecting the water”.

- Check attachment of the adjacent furniture/fixtures. All furniture parts in the vicinity of the appliance must be connected securely to the wall.
- Check that adjacent furniture/fixtures do not collide (door opening angle)."

2. Transport of the appliance

CAUTION

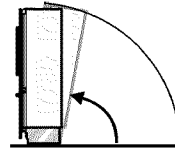
The appliance is very heavy. Be careful, otherwise people who are helping may be injured or the appliance may be damaged.

- Transport the appliance to a suitable installation location with suitable means of transportation (trolley, lifting truck or hand-driven truck).
- Secure the appliance during transportation to prevent it from overturning.

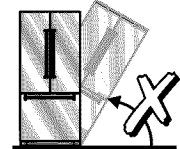
The appliance is 84" (2134 mm) tall. If the appliance cannot be transported in an upright position due to the structural conditions, the appliance can be transported horizontally.

When erecting the appliance, observe the required minimum height at the installation location according to the following table:

Erection via appliance rear	Erection via appliance side panel
-----------------------------	-----------------------------------



86" / 2185 mm



Never put the appliance up via its side!

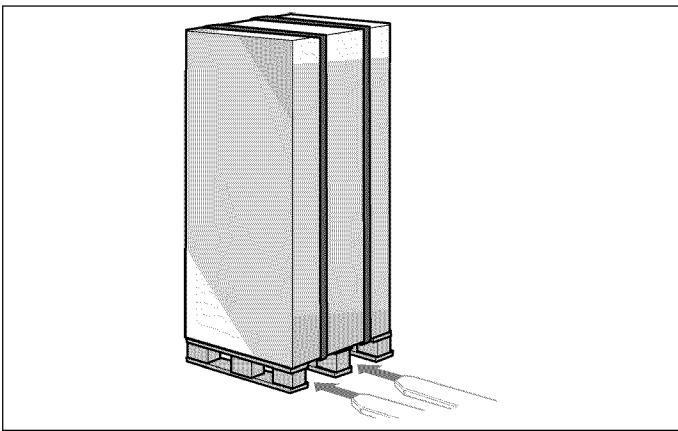
3. Removing the packaging

⚠ WARNING ⚠

- The appliance may tip over while it is being unpacked.
 - The appliance is very heavy.
 - When opening the appliance door, the appliance may tip forwards.
- Be careful, otherwise people who are helping may be injured or the appliance may be damaged.

To protect the base from damage during installation:

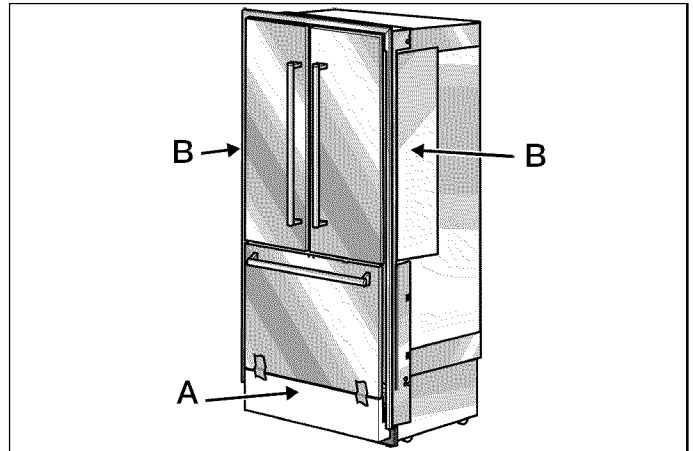
- Attach a residual piece of carpet, lino, etc. to the floor with adhesive tape in front of the intended installation location.



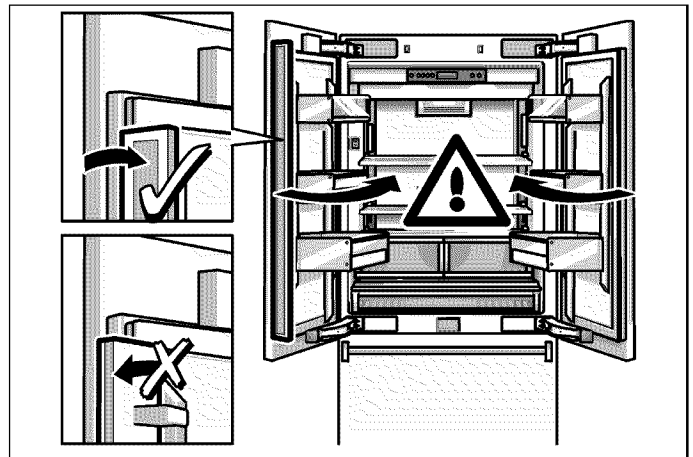
- Move the appliance with a hand truck securely.
- Remove transportation packaging:
 - Using adhesive tape, attach the power cord to the back of the appliance.
 - Remove transportation protection devices and lift appliance off the pallet – appliance is very heavy!
 - Remove accessories from the outside of the appliance.
 - Keep adhesive tape which was used to attach the supplied accessories to the appliance. It is used subsequently for attaching the edge protection to the cavity walls (see Section 8.).
 - Carefully open the appliance – **risk of tipping over** – and remove accessories and installation materials from inside the appliance. Close doors again!

⚠ CAUTION ⚠

- Do not remove transportation protection device (A) from the underside of the freezer compartment drawer.
- Do not damage finger guard (B) while performing the following steps.
- Do not remove transportation safety devices which protect the shelves and storage compartments inside the appliance until the installation is complete, otherwise the parts may be damaged.



- Check appliance for damage in transit. Do not install the appliance if it is visibly damaged. If in doubt, contact your dealer.



⚠ CAUTION ⚠

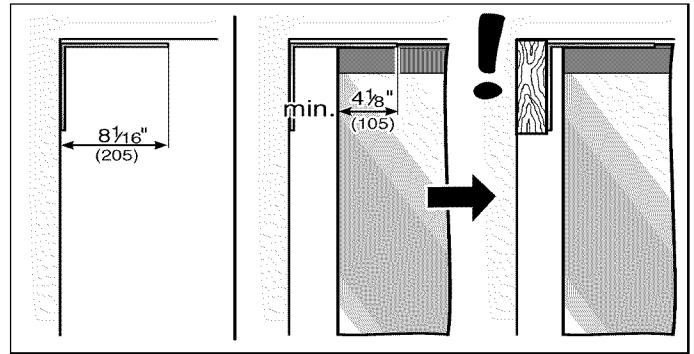
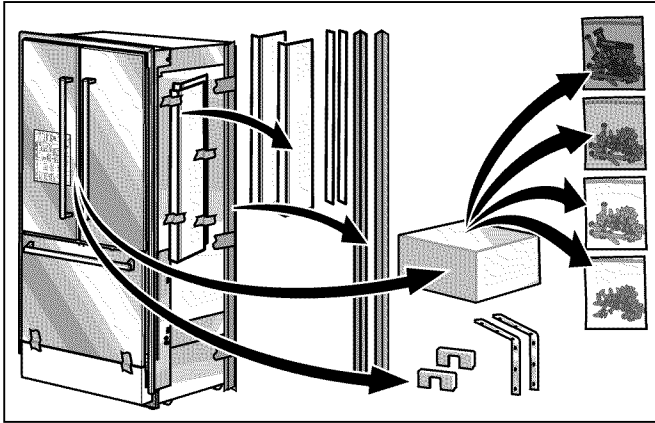
- Care should be taken when closing the door. The folding rail attached to the door of the refrigerator compartment has to be folded if the door are closed. **Risk of damage!**

4. Installation preparation

Unpack installation materials and accessories.

To improve allocation to the work steps, the packages are identified differently.

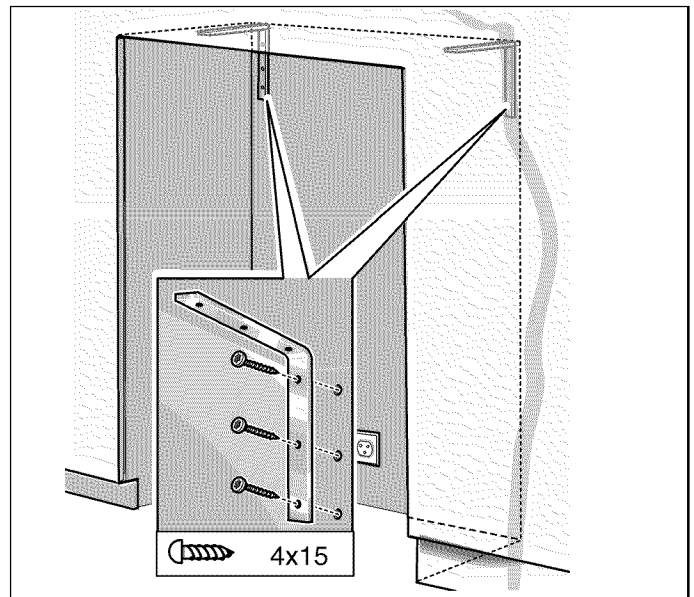
To do this, comply with the overview sheet attached to the appliance!



The length of the plank should correspond to the width of the installation niche!

- Specify the attachment points of the anti-tip-angles.
Specify the detailed dimensions according to the section on "Installation dimensions".
- Attach the anti-tip-angles completely. Be sure screws hold tight.

Fastening with wood screws



5. Preparing the installation cavity



WARNING



Assure that there are no electrical wires or plumbing in the area which the screws could penetrate.
Risk of injury and damage!

NOTE

- 2 anti-tip-angles are required for each appliance.
- The supplied set contains fastening screws for various applications. Select the fastening screws according to the local conditions.

The anti-tip-angles must have a minimum length of $4\frac{1}{8}$ " (105 mm) over the appliance to ensure a secure stand of the appliance.

If this minimum length cannot be observed for structural conditions it is possible to do this by fastening a spacer behind the anti-tip angle, e. g. a sufficiently dimensioned wood plank.

Fastening with dowels and screws



CAUTION

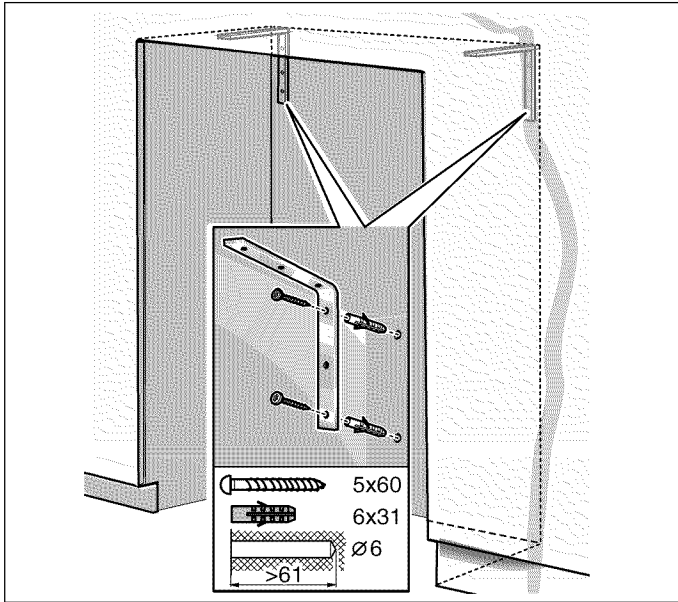


Always wear safety glasses and other necessary protective devices or apparel when installing or working with anchors.
Risk of injury!

Not recommended for use in light-weight masonry material such as block or brick.

Not recommended for use in new concrete which has not had time to cure.

Do not use core drills to drill holes for this anchor.



6. Attaching an alternative anti-tip device

IMPORTANT NOTE

If the anti-tip brackets cannot be attached securely, an alternative anti-tip device can be attached. However, ensure that there is no play between the appliance and the anti-tip device.

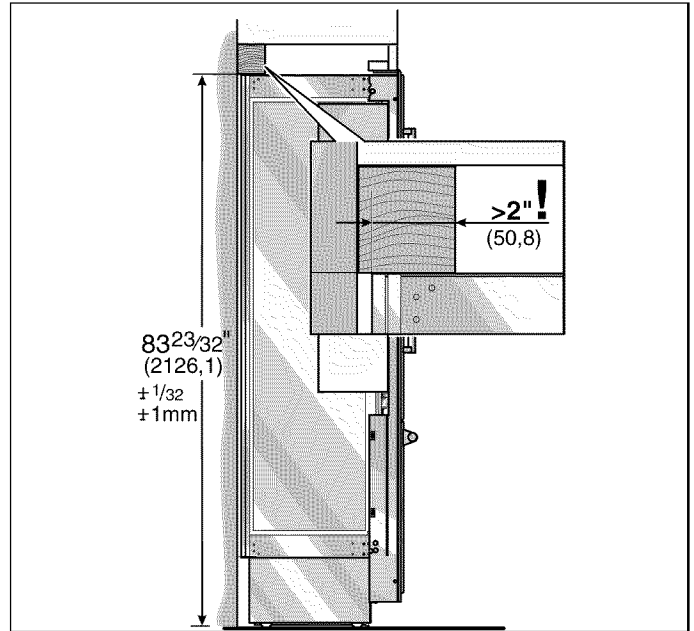
If possible, always screw the wooden beam to existing studs on the rear panel of the cavity.

- Saw the wooden beam (cross section min. 3" x 4") to the required length.

Length is equal to the width of the installation cavity!

NOTE

- If the installation cavity is deeper than the appliance, select a beam which has a larger cross section or attach 2 beams.
- The beam must cover the appliance by at least 2" (50.8 mm).



- Mark the installation height (lower edge of the beam) on the rear panel of the cavity.
- Select screws according to the thickness of the wooden beam: length = min. 2.5 x beam thickness, diameter #12 or #14.

NOTE

Specify the number of screws according to the cavity width, thereby ensuring that the beam can be attached securely.

According to the subsurface:

- Locate wall studs near the rear panel of the cavity and mark drill holes in the beam
- or
- Fasten suitable dowel into the rear wall.
- Pre-drill the wooden beam.
- Attach the wooden beam to the rear panel of the cavity.

7. Preparing to connect the water

(only for appliances which require a water connection)



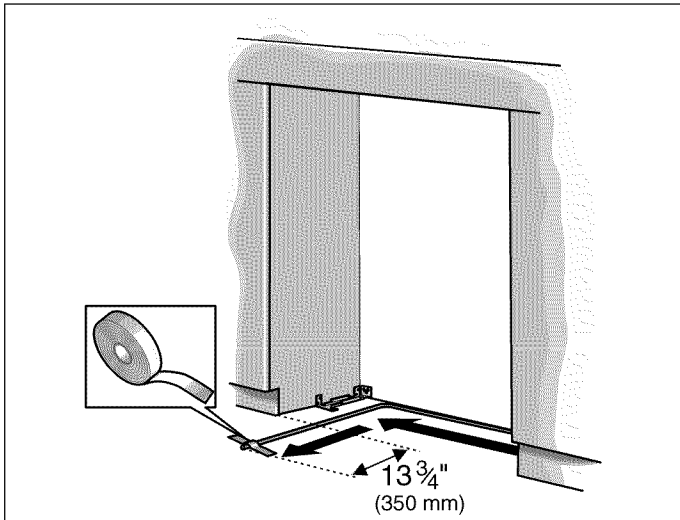
CAUTION



Turn off the main water tap to prevent damage caused by leaking water.

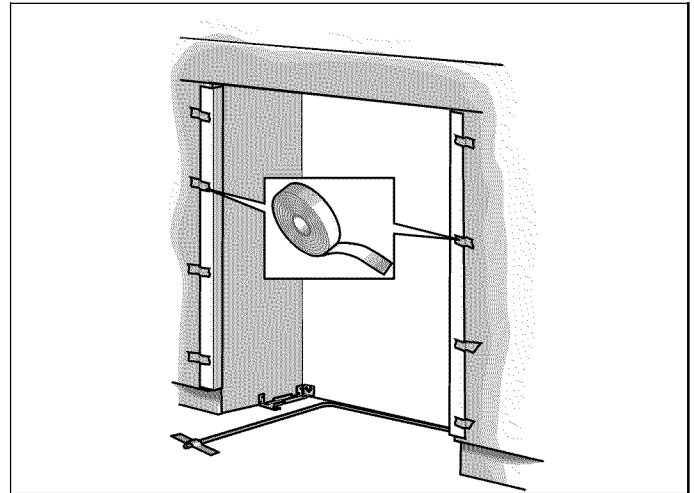
- Attach the connecting pipe to the shut-off valve according to the instructions supplied by the manufacturer of the ice maker installation kit.
- Install the connecting pipe.

Always observe the indicated gap dimensions to prevent damage to the connecting pipe when pushing in the appliance.



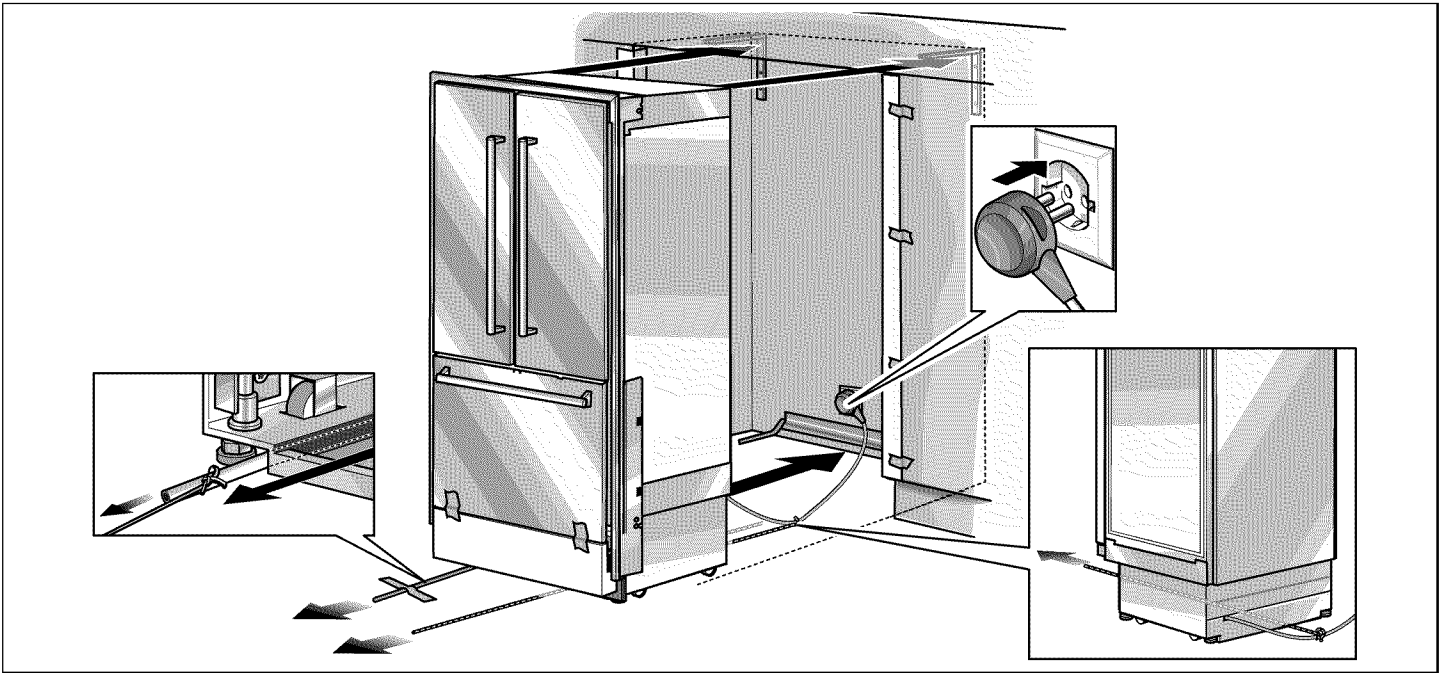
- Attach the connecting pipe to the floor with adhesive tape.

8. Attaching the edge protection



- To protect the corners of the installation cavity, attach the supplied protective brackets with adhesive tape.

9. Pushing the appliance into the installation cavity



CAUTION

Caution when pushing the appliance into the installation cavity.

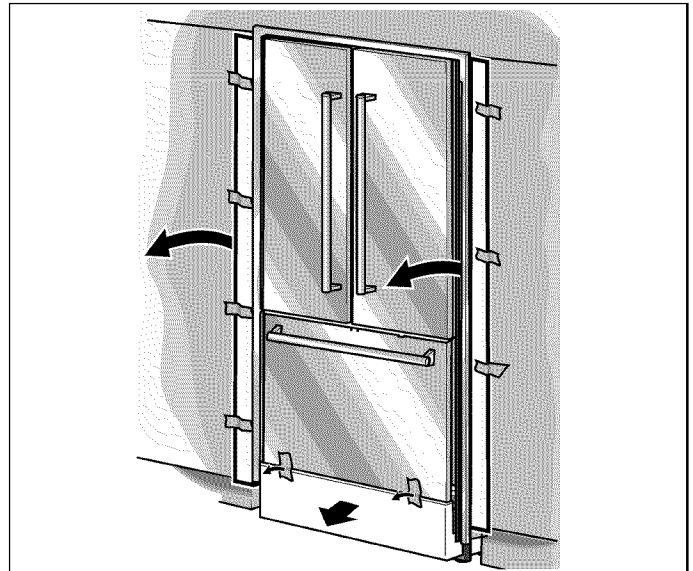
- Do not damage the water pipe or power cord attached to the floor.
- Check finger guard on both sides when pushing the appliance into the cavity. Immediately after pushing the appliance into the cavity, check that it functions by opening and closing the doors.

NOTE

When the floor or the appliance is tilted in comparison to the installation cavity adjust height adjustable wheels before you move the appliance into the installation cavity.

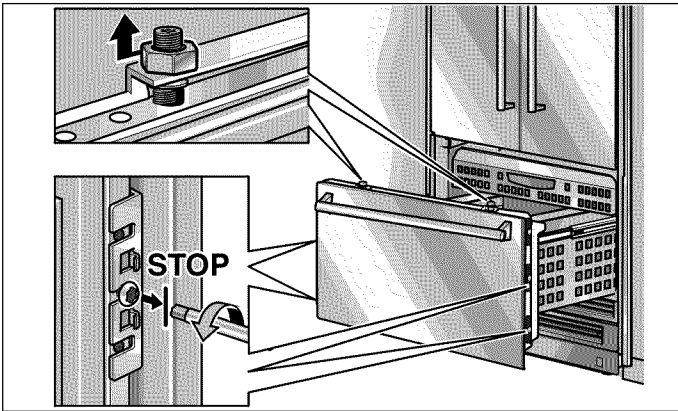
- Put the mains plug into the socket.
 - Prevent the power cord from becoming caught.
Tie a piece of string to the middle of the power cord and feed forwards under the appliance. When pushing in the appliance, pull the cable forwards.
- or
- Using adhesive tape, stick the power cord to the floor centrally behind the appliance approx. 15" (380 mm) away from the rear panel of the cavity.

- Carefully push the appliance into the cavity. Insert appliance straight! Push in the appliance until the frame is situated on the cavity walls.

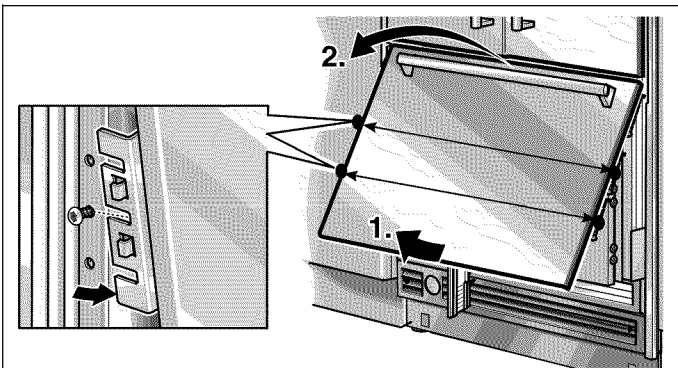


- Remove the edge protection.
- Remove transportation protection device from the underside of the freezer compartment drawer.
- Check function of the finger guard.
Open and close both doors of the refrigerator compartment. The finger guard must slide smoothly in the gap between the appliance and cavity wall.

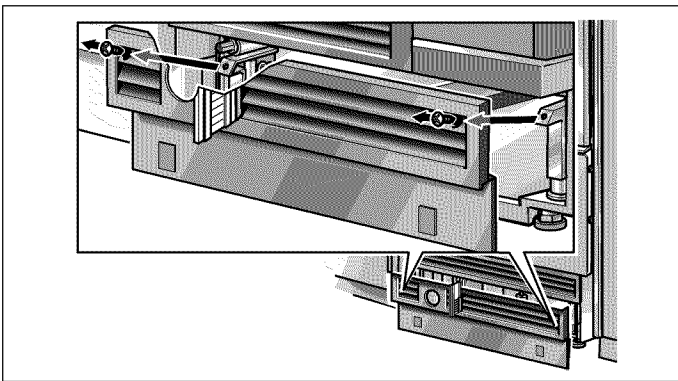
10. Removing stainless steel front panel from the freezer compartment drawer



- Loosen and unscrew nuts on the top of the door. **However, do not turn the threaded bolts, otherwise the door will no longer be aligned.**
- Do not loosen the screws on the left and right fixing brackets. **Do not unscrew the screws!**



- Pull the bottom of the stainless steel front panel away from the door to remove the fixing brackets from the screws. Then lift the door off the threaded bolts.
- Place fixing brackets only loosely into the plates. **Ensure that you do not lose them.**



- Remove base panel from the appliance.

11. Aligning the appliance



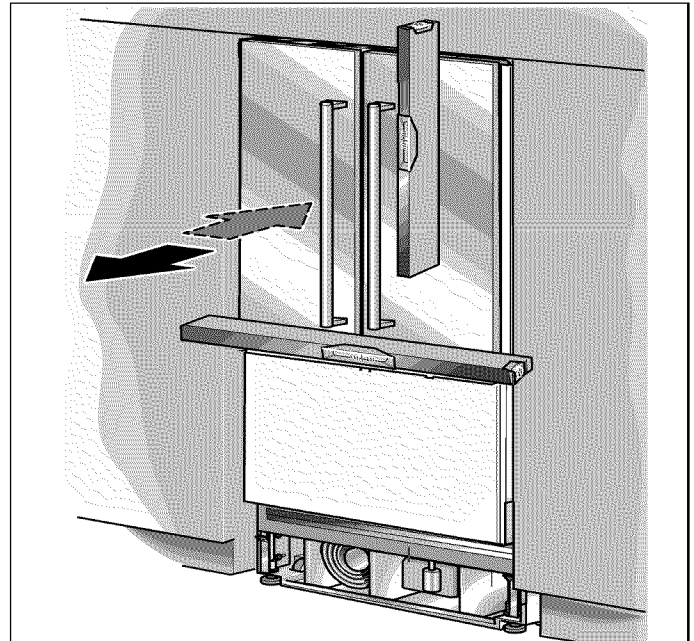
CAUTION



Never use a cordless screwdriver!
Risk of damage to the appliance.

NOTE

- Do not twist or jam the appliance inside the cavity! When unscrewing the height-adjustable feet, proceed gradually: Always alternate between left and right, left and right, etc..
- The adjustment of the rear feet is facilitated if the appliance is unloaded at the rear.
- If using a wooden beam as an alternative anti-tip device according to point 6 of this installation manual, rotate the appliance all the way towards the wooden beam.



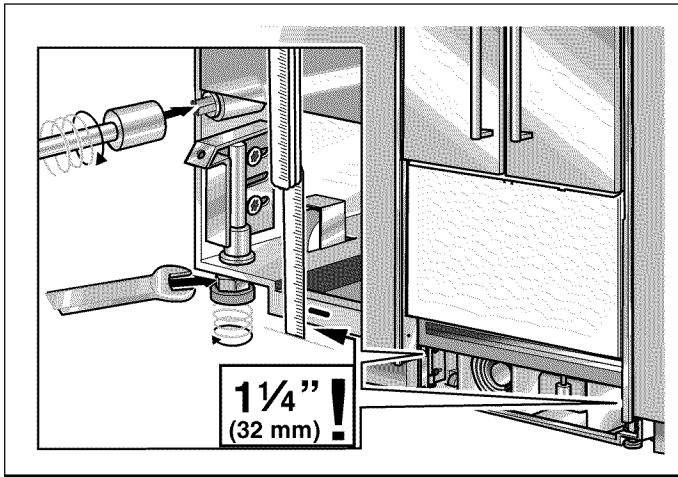
- Align the appliance with the furniture fronts.

The height-adjustable feet at the front and rear can all be adjusted from the front.

Front: with open-ended wrench $\frac{1}{2}$ " (SW13)

Rear: with $\frac{5}{16}$ " (8 mm) hex nut driver via flexible shaft.

A mark is attached to the appliance base and is used as a standard gage for height adjustment. When adjusting the height, align this mark at a height of $1\frac{1}{4}$ " (32 mm) above the floor.



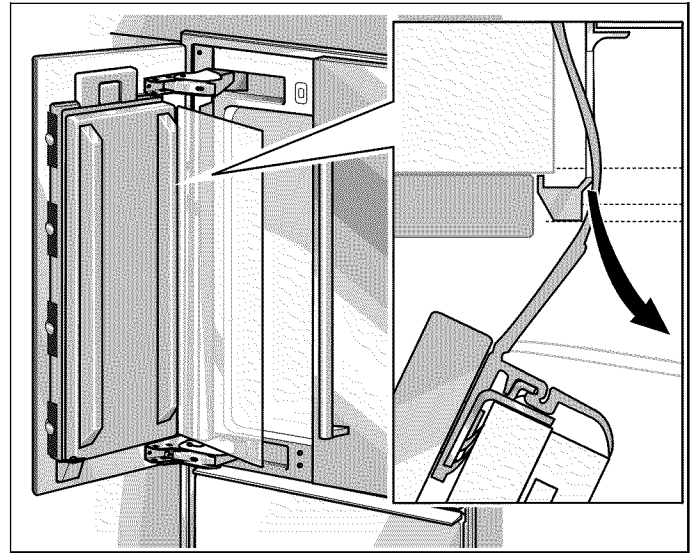
- Unscrew the height-adjustable feet until the mark on the base has reached the indicated guide dimension (1 1/4" / 32 mm).

NOTE

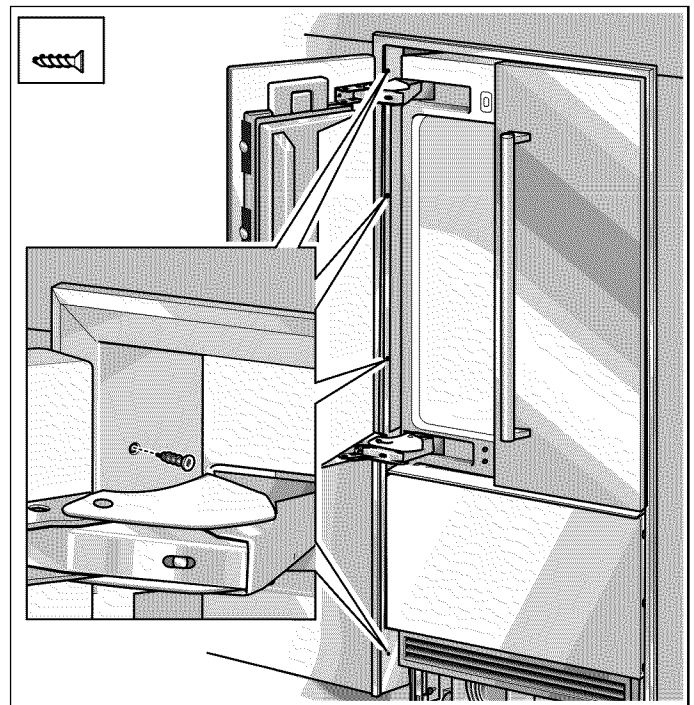
It is very important to comply with this dimension for the subsequent alignment of the furniture fronts.

- Align the furniture fronts with the spirit level.
- Before attaching the appliance in the cavity, check
 - that the top and sides of the frame are situated on the cavity front,
 - that the finger guard functions by opening and closing the two refrigerator compartment doors several times.

12. Attaching the appliance in the cavity



- Open one door of the refrigerator compartment.
- Pull finger guard all the way out of the gap between the appliance and cavity wall.



- Screw the frame to the cavity wall through the gap between the door and carcass (3 screws).
- Under the freezer compartment drawer screw the frame to the cavity wall (1 screw).
- Open the other door of the refrigerator compartment and pull out the finger guard. Screw frame to the cavity wall (4 screws).
- Push the finger guard through the frame recess into the gap between the appliance and cavity wall

13. Connecting the water to the appliance



CAUTION

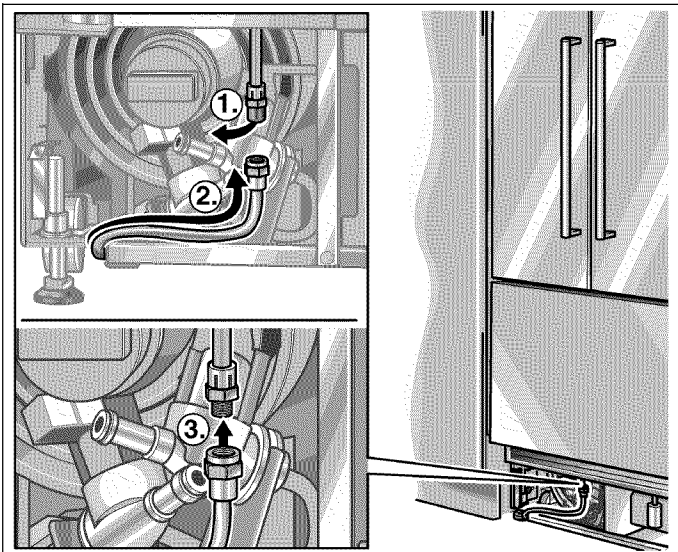


When bending the water pipe, do not kink it, otherwise there is a risk of leaks and water damage.

NOTE

When connecting the water pipe to the solenoid valve of the appliance, follow the instructions supplied by the manufacturer of the ice maker installation kit enclosed with the installation manual.

- Remove the cap from the appliance connection (1.).
- Bend the water pipe according to the location of the connection on the appliance (2.).
- Push the union nut and seal onto the water pipe.
- Push the end of the water pipe into the appliance connection and screw on the union nut (3.). Tighten hand-tight.
- Using the open-ended wrench, tighten the union nut. Do not overturn!



- Open the shut-off valve and main water tap. Check the connection on the shut-off valve and on the appliance for leaks.

14. Attaching the toe kick panel

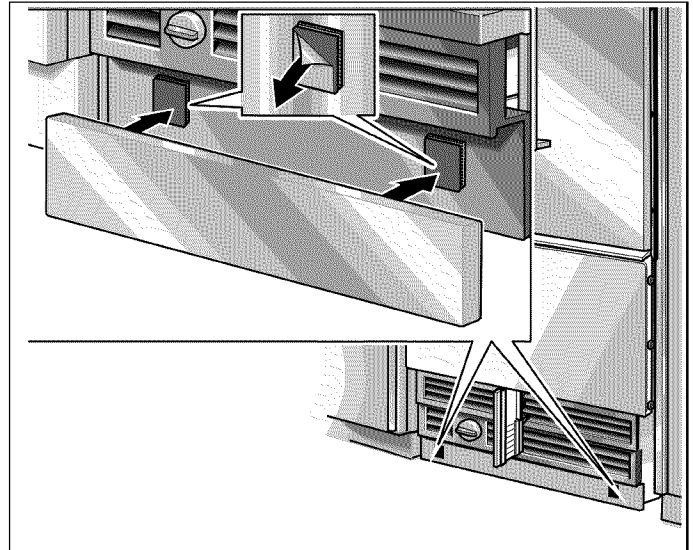


CAUTION

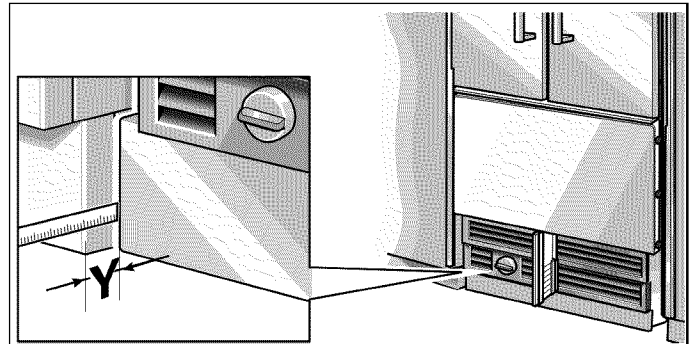


The maximum height of the toe kick panel is 4" from the top of the floor. Do not cover ventilation slots in the base panel. Risk of damage to the appliance.

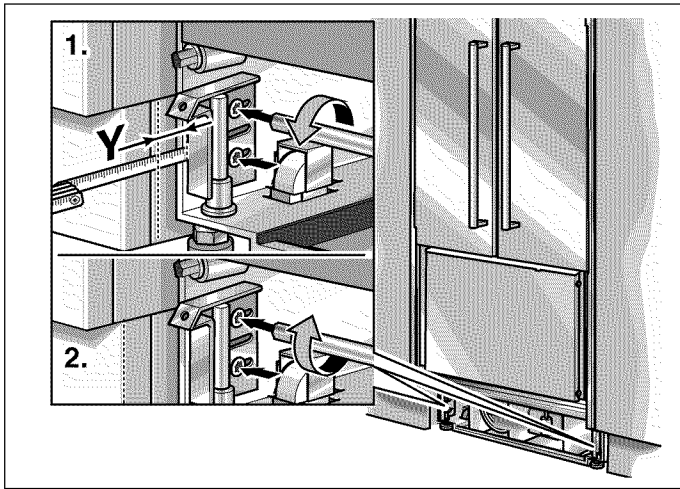
- If required, cut the toe kick panel to the required length.
- Attach the base panel to the appliance.



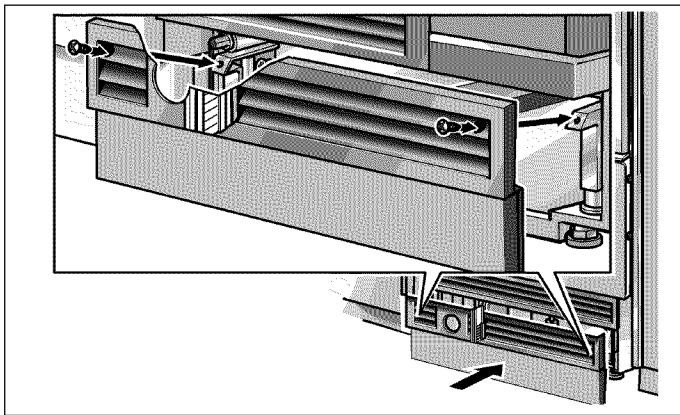
- Remove the protective film from the adhesive pads on the Velcro.
- Fit the toe kick panel to the base panel and press firmly into place.
- Remove base panel from the appliance.



- Put on the base panel (do not screw on) and measure the difference in depth **Y** between the base panel and toe kick panel of the adjacent furniture.
- Remove the base panel.
- Loosen the brackets for attaching the base panel and push in all the way.



- Pull out the brackets by the measured amount **Y**.
- Screw the brackets tightly.

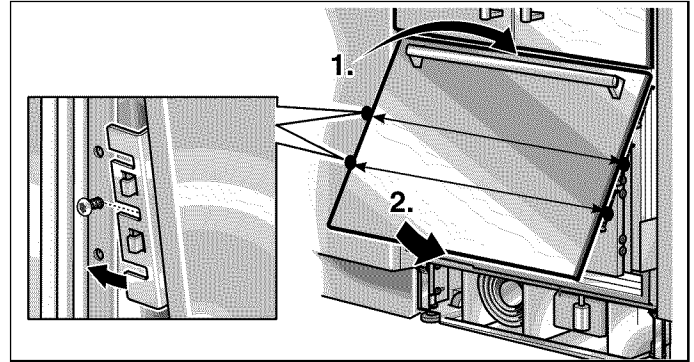


- Attach the base panel.

NOTE

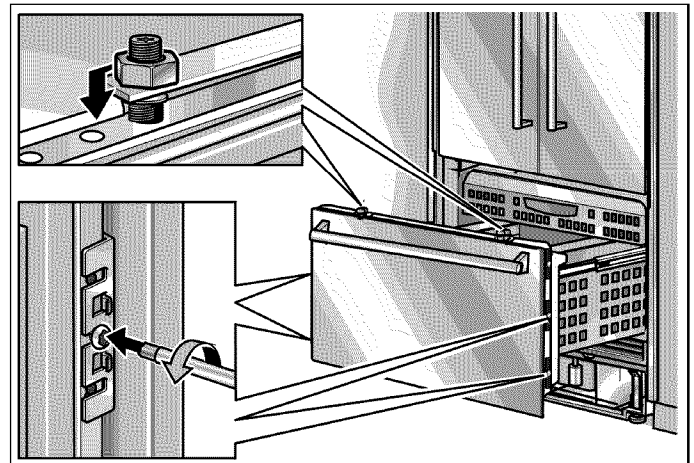
If required, the toe kick panel can be screwed to the base panel. There are screw holes in the base panel near the Velcro.

15. Attaching stainless steel front panel to the freezer compartment drawer



- Hang stainless steel front panel over the threaded bolts.
- Lift bottom of stainless steel front panel and push the fixing brackets down over the screws.
- When the freezer compartment door is closed, check the depth of the stainless steel front panel with respect to the adjacent furniture front panels.

If the depth alignment is correct, tighten the screws on the fixing brackets.



- Screw nuts onto the threaded bolts on top of the door. Do not tighten yet.
- Check lateral alignment of the stainless steel front panel. If the lateral alignment is correct, tighten the nuts.

16. Commissioning the appliance



CAUTION



Check that the finger guard functions. In particular check

- that the finger guard is correctly attached to the appliance and
- that the finger guard slides smoothly forwards and backwards when the refrigerator compartment doors open and close.

To guarantee the accuracy of the following working steps and thus the appearance of the overall kitchen front later on, the appliance should now be operated.

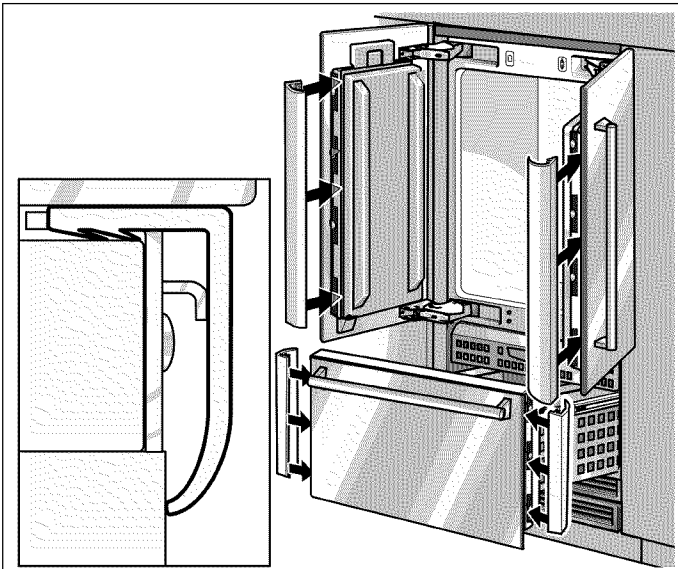
- Open the appliance door.
- Press the POWER button.

Only for appliances with a water connection:

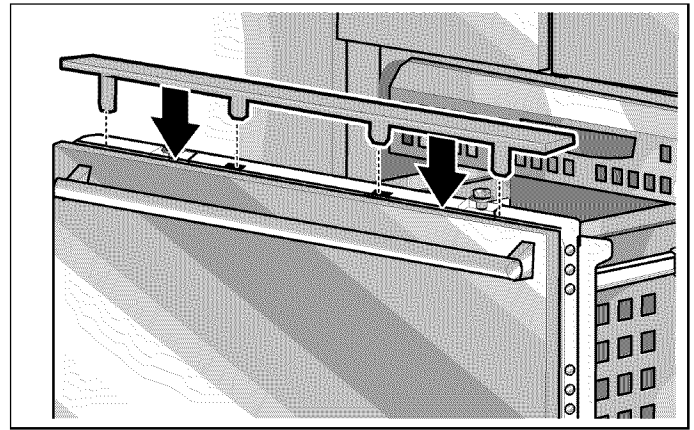
NOTE

In order to avoid the risk of damage caused by leaking water from damage possibly caused to the water pipe feeding the appliance, keep the shut-off valve closed.

17. Attaching the covers



- Press cover strips on the handle sides of the doors into the gap between stainless steel front and appliance door.
- Press cover strips on the freezer compartment drawer into the gap between stainless steel front and drawer.



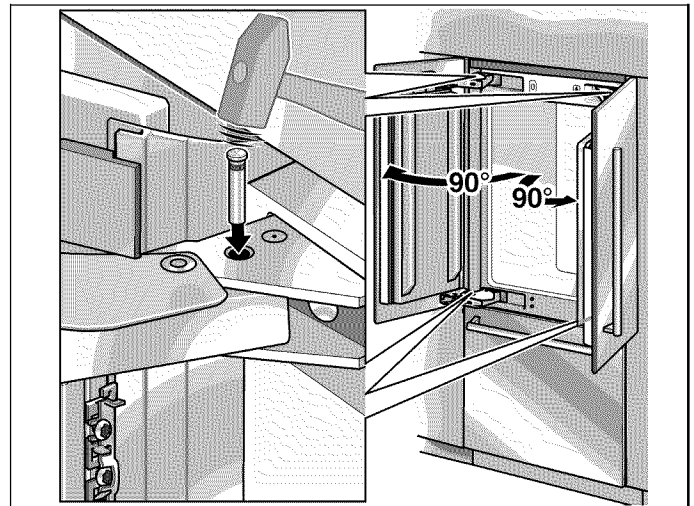
- Insert the cover plate on the freezer compartment door.

18. Adjusting the door opening angle (refrigerator compartment door)

Depending on the installation situation, it may be necessary to adjust the door opening angle. A door opening angle of 115° has been set at the factory.

To adjust the door opening angle to 90°:

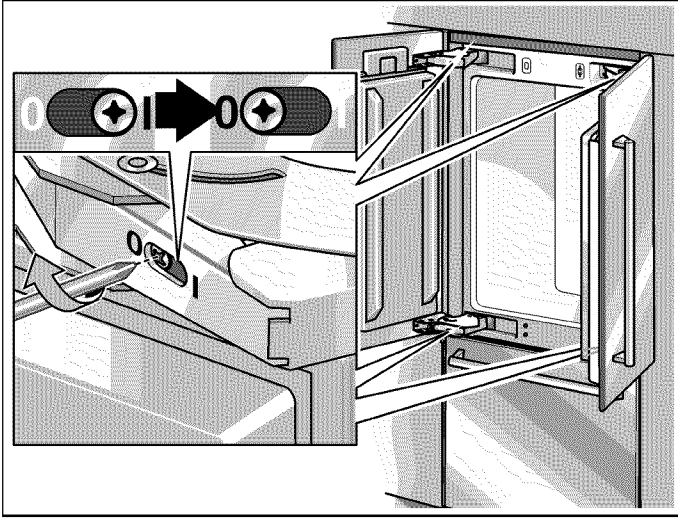
- Open the door to 90°.



- Insert the banking pin through the boreholes which are now vertically aligned and drive in with a hammer.

19. Changing the door spring

To adjust the door spring:



- Rotate the adjusting screw with a cross-head screwdriver.

I = maximum spring tension

0 = no spring tension

Table de matières

Avant de commencer	24
Générale	24
Information importante	24
Options d'installation	25
Unité individuelle	25
Appareils individuels avec séparation	25
A l'extrémité des cuisines intégrées	25
Lieu d'installation	26
Local d'installation	26
Cavité d'installation	26
Meubles/Appareillages électriques	26
Sol	26
Raccordement à l'alimentation électrique	27
Procédure additionnelle de mise à la terre	27
Instructions de raccordement à la terre	27
Raccordement de l'eau	27
Dimensions d'installation	28
Dimensions de l'appareil	29
Accessoires et outillage requis	30
Accessoires fournis	30
Accessoires en option	30
Autres accessoires requis de fournisseurs spécialisés	30
Outils	30
Autres	30
Instructions d'installation	31
1. Vérification de la cavité d'installation	31
2. Transport de l'appareil	31
3. Enlèvement de l'emballage	32
4. Préparation du montage	33
5. Préparation de la cavité d'installation	33
6. Fixation d'un dispositif anti-renversement alternatif	34
7. Préparation du raccordement de l'eau	35
8. Fixation du protège-bordures	35
9. Pousser l'appareil dans la cavité d'installation	36
10. Retirer la façade en acier inoxydable du tiroir du compartiment congélateur	37
11. Installation et alignement de l'appareil	37
12. Fixer l'appareil dans la cavité	38
13. Raccordement de l'eau à l'appareil	39
14. Fixation du bandeau de socle	39
15. Montage de la façade en acier inoxydable contre le tiroir du compartiment congélateur	40
16. Mise en service de l'appareil	41
17. Fixation des couvercles	41
18. Ajustage de l'angle d'ouverture de porte	42
19. Changement du ressort de porte	42

Avant de commencer

Veillez lire ces instructions entièrement et avec attention.

⚠ AVERTISSEMENT

Le centre de gravité de cet appareil se trouve assez haut dans celui-ci. Il faut donc sécuriser l'appareil pour l'empêcher de basculer en avant. Une protection anti-renversement est nécessaire.

Maintenez les portes de l'appareil fermées jusqu'à ce qu'il ait été installé et sécurisé conformément aux instructions d'installation.

Vu le poids et la taille de l'appareil et pour réduire le risque de dommages corporels et d'endommagement du produit, **IL FAUT DEUX PERSONNES POUR RÉALISER L'INSTALLATION CORRECTEMENT.**

Cet appareil doit être correctement relié à la terre. Voir la section «Raccordement à l'alimentation électrique».

Veillez n'utiliser cet appareil qu'aux fins pour lesquelles il a été prévu.

Réparez ou remplacez immédiatement les cordons d'alimentation électrique qui se sont usés ou sont endommagés.

Débranchez l'appareil ou ramenez le disjoncteur en position éteinte avant de nettoyer ou d'effectuer des réparations.

Les réparations sont réservées à un technicien qualifié du service après-vente.

⚠ ATTENTION

Aptitudes – Niveau – L'installation de cet appareil oblige à détenir des connaissances de bases en mécanique, en menuiserie et en plomberie.

La responsabilité d'une installation adéquate revient à l'installateur. Une défaillance du produit due à son installation incorrecte n'est pas couverte par la garantie dont bénéficie l'appareil.

Veillez vous reporter au manuel de l'utilisateur pour connaître les informations sur la garantie.

⚠ REMARQUE IMPORTANT

Veillez conserver ces instructions pour usage par l'inspecteur local. Veillez observer tous les règlements et ordonnances.

Remarque à l'intention de l'installateur –
Veillez bien à laisser les présentes instructions au client.

Remarque à l'intention du consommateur –
Veillez conserver les présentes instructions avec votre manuel de l'utilisateur. Ils vous permettront de vous y reporter ultérieurement.

Générale

Les présentes instructions d'installation sont destinées à être utilisées par des installateurs qualifiés. Tous les raccordements de l'eau, de l'électricité et à la terre doivent se conformer aux règlements et ordonnances locaux, ils doivent être réalisés par du personnel sous licence lorsque nécessaire. En l'absence de réglementation locale :

- Aux USA : en conformité avec le National Electric Code, ANSI/NFPA70 en son édition la plus récente, avec les règlements des États et municipaux et/ou les règlements locaux.
- Au Canada : en conformité avec le Code canadien de l'électricité C22.1 en son édition la plus récente, avec les règlements des provinces et municipaux et/ou les règlements locaux.

⚠ AVERTISSEMENT ⚠
AVERTISSEMENT – Cette mention précède une instruction assortie d'un danger de mort ou de blessures graves si vous ne respectez pas son contenu.

⚠ ATTENTION ⚠
ATTENTION – Cette mention précède une instruction assortie d'un risque de blessures légères ou de dégâts si vous ne respectez pas son contenu.

REMARQUE
REMARQUE / REMARQUE IMPORTANT – Cette mention sert à attirer votre attention sur un aspect particulier.

Information importante

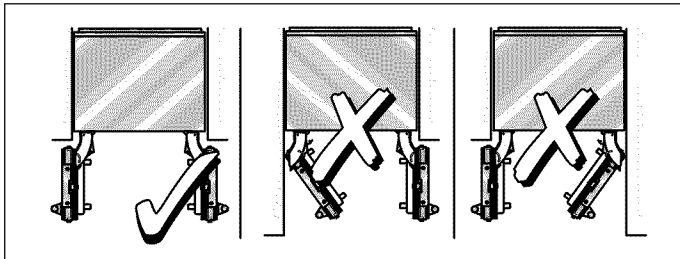
L'importance de respecter tous les règlements et instructions ne saurait être plus instamment soulignée. L'installation devra être confiée à un monteur qualifié.

Avant de faire démarrer l'installation, veuillez toujours lire le manuel d'installation dans son intégralité. Il contient des détails importants que le monteur doit respecter. A condition de le lire attentivement, l'installation sera simple, sans contretemps et, chose capitale, sûre.

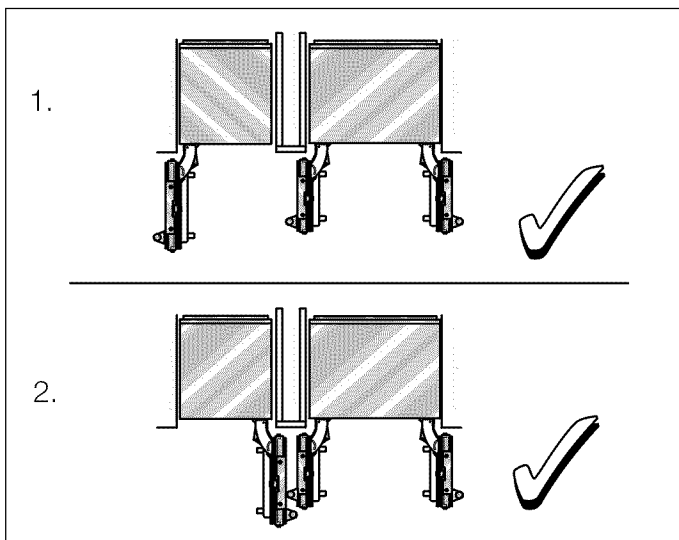
Options d'installation

Les options d'installation différentes sont limitées seulement par l'agencement de votre cuisine et par la fonction du bandeau protège-doigts.

Unité individuelle



Appareils individuels avec séparation



i Remarque :

- Lorsque vous dimensionnez la séparation affectée à la configuration 4 ci-dessus, notez l'épaisseur de la façade des meubles pour empêcher des dégâts lors de l'ouverture simultanée des portes.
- Utilisez le kit de chauffage pour combinaison extrême côte à côte si l'espace vide entre les appareils est inférieur à 6" (160 mm).
Voir la section consacrée aux «Accessoires en option».
- Épaisseur minimum de la séparation $\frac{5}{8}$ " (16 mm).

A l'extrémité des cuisines intégrées

Si un côté de l'appareil est visible, il faudra utiliser un panneau latéral.

Le panneau latéral doit être fermement fixé contre le mur, le sol ou un placard/le appareillages situés au-dessus avant de placer l'appareil dans la cavité.

Pour dimensionner le panneau latéral, basez-vous sur les dimensions du panneau opposé formant la cavité. Pendant l'installation, veillez à ce que la cavité reste à angles droits et qu'elle ait la taille exacte.

Lieu d'installation

 AVERTISSEMENT 
N'installez pas cet appareil :
<ul style="list-style-type: none">- en plein air,- dans un environnement très humide,- dans des pièces exposées au risque de gel.
L'appareil est très lourd. Pour connaître les poids à vide, reportez-vous au tableau suivant :
Bottom Mount 36" env. 430 lbs / 195 kg

Local d'installation

Il faudra installer l'appareil dans une pièce sèche et bien aérée.

La température ambiante ne doit pas descendre en dessous de 55 °F (13°C) ni monter au-dessus de 110 °F (43 °C), faute de quoi l'appareil risque de mal fonctionner.

L'emplacement ne doit pas être directement exposé aux rayons solaires ou proche de sources de chaleur tels qu'une chaudière, un radiateur, etc. S'il n'y a pas moyen d'éviter une installation à proximité d'une source de chaleur, utilisez un panneau isolant approprié ou respectez les distances minimum suivantes par rapport à la source de chaleur :

- 1 1/4" (30 mm) d'une cuisinière électrique,
- 12" (300 mm) d'une chaudière au fuel ou à combustible solide.

Cavité d'installation

Pour une installation sans incident de l'appareil et pour qu'ensuite la façade du meuble soit esthétique, il est important que la cavité d'installation ait bien les dimensions spécifiées.

Assurez-vous en particulier que la cavité présente des angles droits.

Vous pouvez le vérifier avec des moyens appropriés, par exemple un niveau à bulle, des mesures en diagonale, etc.

Les parois latérales de la cavité doivent être dans l'alignement.

L'épaisseur minimum des parois latérales et de la paroi formant le sommet doit s'élever à 5/8" (16 mm).

L'épaisseur minimum du bandeau de socle doit être de 1/2" (13 mm).

Nous recommandons une épaisseur de 3/4" (19 mm).

Meubles/Appareillages électriques

Le nouvel appareil est vissé de manière sûre contre des meubles/appareillages adjacents ou situés au dessus de lui.

Pour cette raison, il est essentiel que tous les meubles/appareillages soient fixés de manière sûre contre le sol ou le mur à l'aide de moyens appropriés.

Sol

 AVERTISSEMENT 
Un appareil plein est très lourd. portance du sol, reportez-vous suivant :
Bottom Mount 36" env. 1200 lbs / 540 kg

Pour être sûr que l'appareil a été installé de façon sûre et qu'il fonctionne correctement, le sol doit être plat et horizontal.

Le sol doit être constitué d'un matériau dur et rigide.

La surface d'installation doit se trouver au même niveau que le reste de la pièce.

Compte tenu du poids élevé de l'appareil lorsqu'il est plein, il faut que le sol offre la portance nécessaire.

En cas de doute, contactez un architecte ou un expert en bâtiment.

Raccordement à l'alimentation électrique

⚠ AVERTISSEMENT ⚠

Risque de choc électrique

- Branchez la fiche mâle à 3 broches de l'appareil dans une prise à 3 orifices femelles reliée à la terre.
- Ne retirez pas la broche de raccordement à la terre.
- N'utilisez pas d'adaptateur
- N'utilisez pas de prolongateur.

Le non-respect de ces instructions s'assortit d'un danger de mort, d'incendie ou de choc électrique.

L'appareil est livré avec un cordon d'alimentation électrique à trois fils et figurant dans la liste UL aux USA.

Cet appareil requiert d'être raccordé à une prise femelle à trois fils.

L'installation de cette prise est une opération exclusivement réservée à un électricien agréé.

Cette prise doit être protégée par un fusible supportant un ampérage de 10 A à 16 A. Veuillez à ce titre respecter le tableau de correspondances suivant :

Appareil	Ampérage instantané maximal
Bottom Mount 36"	6.0 ampères

Orientez la broche de terre vers le bas, comme le montrent les illustrations.

En ce qui concerne la position d'installation de la prise femelle, veuillez vous reporter à la section « Dimensions d'installation ».

Procédure additionnelle de mise à la terre

Certaines réglementations locales peuvent exiger un raccordement à part à la terre. En pareils cas, vous devrez acheter séparément les accessoires requis : le fil de terre, la bride et la vis.

Ne raccordez jamais l'appareil à des conduites en plastique, conduites de gaz ou conduites d'eau.

Instructions de raccordement à la terre

Cet appareil devra être relié à la terre. En cas de dysfonctionnement ou de panne, le raccordement à la terre réduit le risque de choc électrique en fournissant au courant un chemin de moindre résistance électrique.

⚠ AVERTISSEMENT ⚠

Un branchement incorrect du fil de raccordement à la terre peut occasionner un choc électrique. Si vous n'êtes pas sûr que l'appareil est correctement relié à la terre, faites-le vérifier par un électricien agréé ou un technicien du service après-vente.

Raccordement de l'eau

⚠ ATTENTION ⚠

Ne raccordez l'appareil qu'à l'eau potable !

Il faut un raccordement à l'eau froide pour que le distributeur automatique de glaçons puisse fonctionner. La pression de l'eau doit être comprise entre 25 et 120 p.s.i. (1,72 et 8,25 bar).

Dans le cadre du raccordement de l'eau à l'appareil, il faut installer une vanne de fermeture séparée.

Cette vanne de fermeture ne doit pas se trouver derrière l'appareil. Il est recommandé de la placer directement à côté de l'appareil (unité de base) ou en tout autre endroit facile d'accès.

Lors du raccordement de l'eau, examinez les zones d'installation admises pour la conduite. En ce qui concerne les zones d'installation permises et les dimensions, reportez-vous à la section intitulée « Dimensions d'installation ».

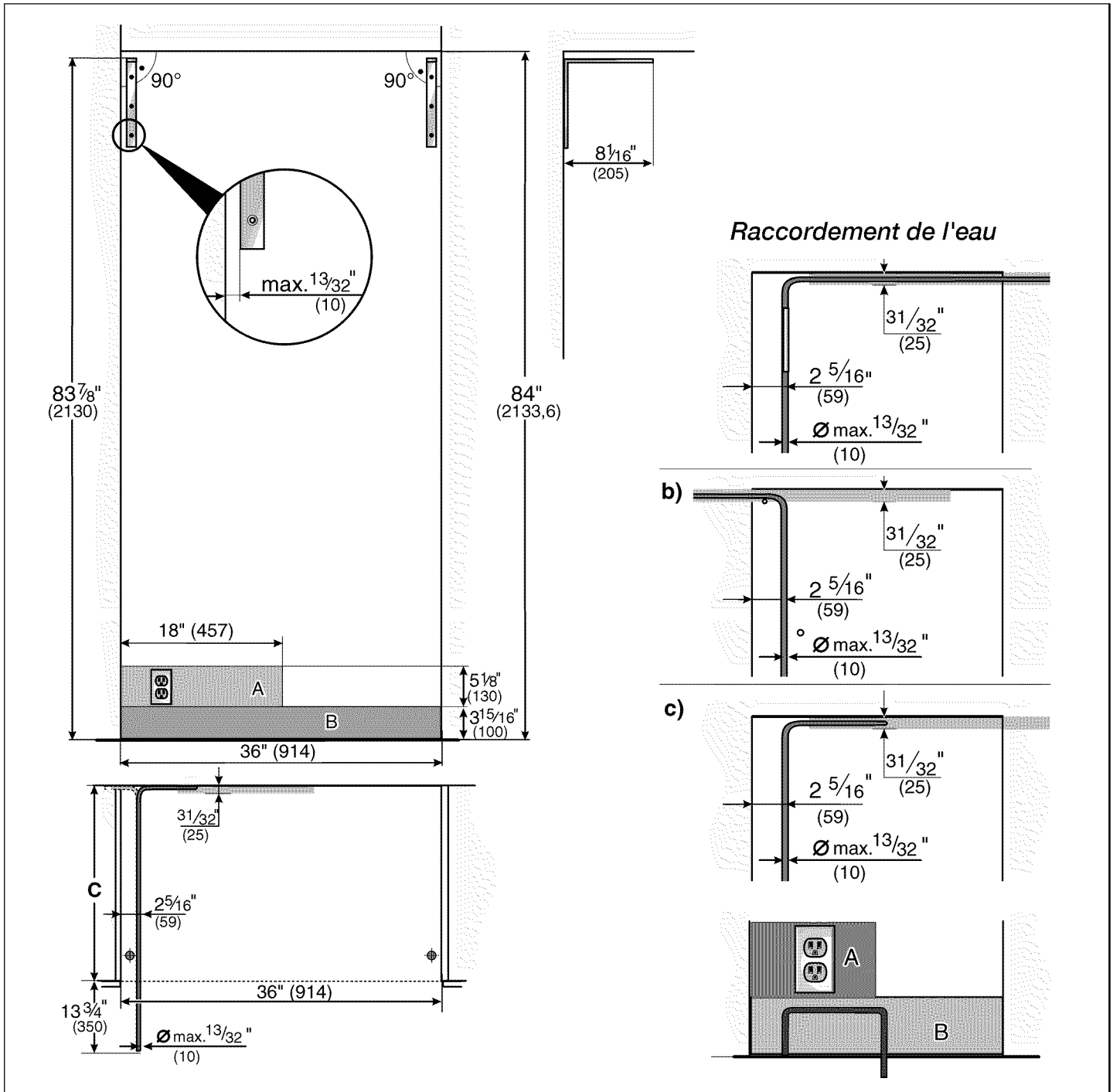
Il est possible de placer la conduite d'alimentation sur le côté droit (a), sur le côté gauche (b) ou en dessous (c).

Diamètre externe maximum de la conduite d'eau (sans les robinetteries) : $1\frac{3}{32}$ " (10 mm).

Fixez, à un endroit adapté et d'accès facile, une vanne de fermeture séparée affectée au raccordement de l'eau. N'utilisez jamais de vanne autotaraudeuse !

Dimensions d'installation

Installation individuelle



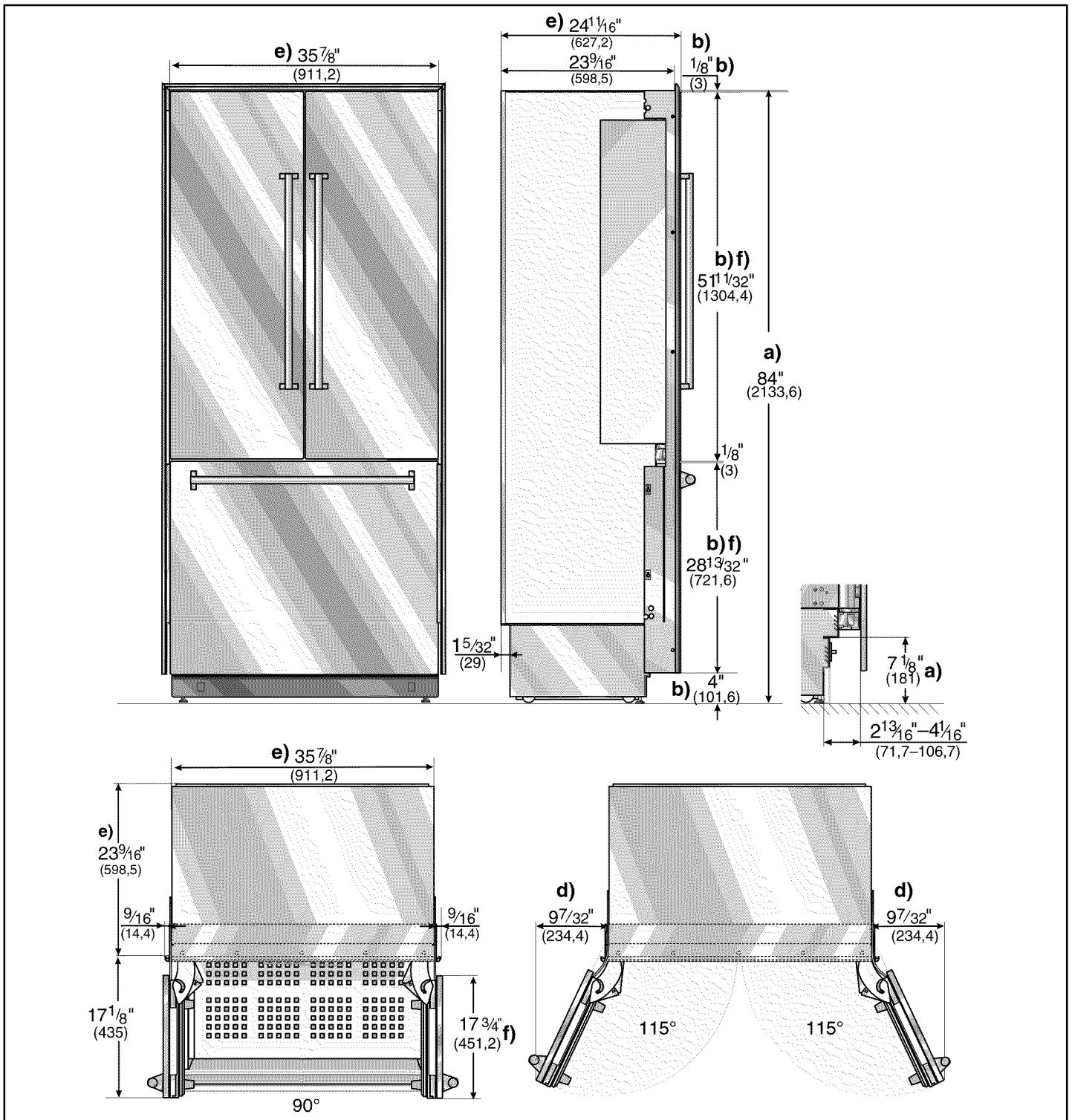
Légende:

- A représente la zone où installer le raccordement de l'électricité
- B représente la zone où installer le raccordement de l'eau

C profondeur d'ouverture de la cavité, ceci dépendant de la configuration de la cuisine.
D = 24" (610 mm) minimum

Remarque : La cavité doit être carrée. La paroi latérale de la cavité doit se trouver dans l'alignement.

Dimensions de l'appareil



Légende:

- a)** Ajustage des pieds de nivellement entre $+1\frac{3}{8}"$ (35 mm) / $-1\frac{1}{2}"$ (13 mm).
b) Les dimensions peuvent différer.

- d)** Cette dimension peut différer en fonction de l'installation, de l'épaisseur du panneau et du matériel équipant la cuisine.
e) Dimensions de l'unité
f) Dimensions du panneau de porte

Accessoires et outillage requis

Accessoires fournis

- Instructions d'installation
- Instructions d'utilisation
- Kit d'installation

Accessoires en option

Kit de chauffage pour combinaison extrême côte à côte

Si l'espace vide entre les appareils est inférieur à 6" (160 mm).

Autres accessoires requis de fournisseurs spécialisés

Kit d'installation de distributeur de glaçons, conduite en cuivre de 1/4" de diamètre extérieur

Ce kit sert à raccorder les appareils qui ont besoin d'eau, par exemple pour alimenter un distributeur de glaçons.

i Diamètre extérieur maximum de la conduite d'eau (sans les robinetteries) : $1\frac{3}{32}$ " (10 mm).

Outils

- Visseuse sans cordon T20
- Tournevis Torx T20 (empreinte cruciforme)
- Embout Torx T20 + support magnétique
- Clé à pipe $\frac{5}{16}$ " (8 mm) pour écrou hexagonal
- Forets à bois de différentes tailles
- Clé à fourche, calibre SW $1\frac{1}{2}$ "
- Pince multiprises
- Clé anglaise
- Cutter à lame ajustable
- Mètre à ruban
- Équerre
- Niveau à bulle de 2' (60 cm) et 4' (1,2 m)
- Niveau de marquage, longueur minimum 4' (1,2 m) en présence d'un appareil individuel, ou de 7' (2,0 m) en cas d'installation côte à côte.

Autres

- Escabeau
- Socle mobile, diable brouette
- Perceuse à percussion pour percer des trous dans le mur ou le sol
- Forets adaptés aux matériaux et de différentes dimensions
- Madrier (section minimum 3" x 4" (75 mm x 100 mm)) à titre de protection alternative contre le renversement, d'une longueur correspondant à la cavité d'installation
- Vis à bois de différentes tailles
- Matériau mince (au maximum $\frac{1}{16}$ " (1.5 mm)) pour protéger le revêtement de sol (en linoléum par exemple) contre les dégâts
- Matériau approprié pour recouvrir et protéger les meubles (par ex. feuilles protectrices).
- Ruban adhésif

REMARQUE

Avant l'utilisation, vérifiez si le ruban adhésif laisse des traces de colle sur les surfaces des pièces ! S'il en laisse, ne l'utilisez pas sur les surfaces de haute qualité.

Instructions d'installation

1. Vérification de la cavité d'installation

ATTENTION

Pour assurer une installation sûre et sans incident, et pour que la façade générale du mobilier offre une esthétique optimale, vérifiez avec soin si la cavité d'installation est conforme aux exigences d'installation.

Avant de commencer l'installation, vérifiez que la cavité est conforme à toute les exigences visant une installation sûre et sans incident.

- Vérifiez le sol.
Suivez les instructions figurant dans la section « Lieu d'installation ».
- Vérifiez la dimension de la cavité.
- Vérifiez que la cavité présente des angles droits.
- Vérifiez l'emplacement de la prise.
Respectez également les instructions figurant dans la section « Raccordement à l'alimentation électrique » et dans la section « Dimensions d'installation ».
- Vérifiez l'emplacement du branchement de l'eau (uniquement pour les appareils équipés d'un distributeur de glaçons).
Respectez également les instructions figurant dans la section « Raccordement de l'eau ».
- Vérifiez la fixation des meubles/appareillages adjacents. Toutes les pièces constitutives d'un meuble à proximité de l'appareil doivent être fixées de manière sûre contre le mur.
- Vérifiez que les meubles/appareillages adjacents n'entreront pas en collision (angle d'ouverture de porte).

2. Transport de l'appareil

ATTENTION

L'appareil est très lourd. Soyez prudent sinon les assistants risquent de se blesser ou l'appareil de s'endommager.

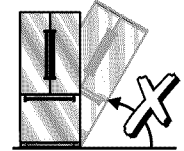
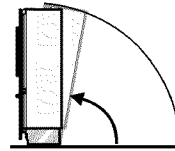
- Transportez l'appareil avec un moyen de transport approprié au lieu d'installation et à l'appareil (diable, chariot élévateur ou chariot à roulettes).
- Sécurisez l'appareil pour empêcher son renversement pendant le transport.

L'appareil fait 84" (2134 mm) de haut. Si le transport en position debout n'est pas possible du fait de la configuration du lieu, il est possible de le transporter couché.

Au moment de redresser l'appareil, respectez la hauteur minimum nécessaire sur le lieu d'installation, ainsi que le contenu du tableau suivant :

Redressement via le dos de l'appareil

Redressement via la paroi latérale de l'appareil



86" / 2185 mm

Ne redressez jamais l'appareil en appui sur son paroi latérale !

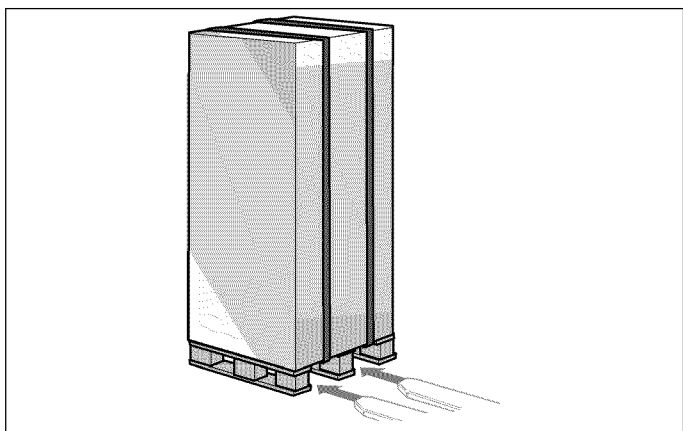
3. Enlèvement de l'emballage

AVERTISSEMENT

- L'appareil risque de se renverser pendant son déballage.
 - L'appareil est très lourd.
 - Lorsque vous ouvrez la porte de l'appareil, ce dernier risque de basculer en avant.
- Soyez prudent, sinon les personnes qui vous aident risquent de se blesser et l'appareil risque quant à lui de s'endommager.

Pour protéger le sol contre les dégâts pendant l'installation :

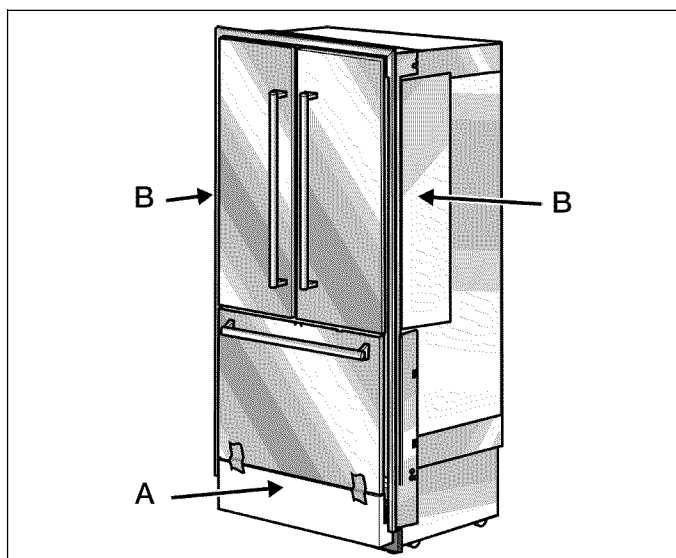
- Fixez un morceau de moquette, linoléum, etc., contre le sol, en face de l'emplacement d'installation prévu.



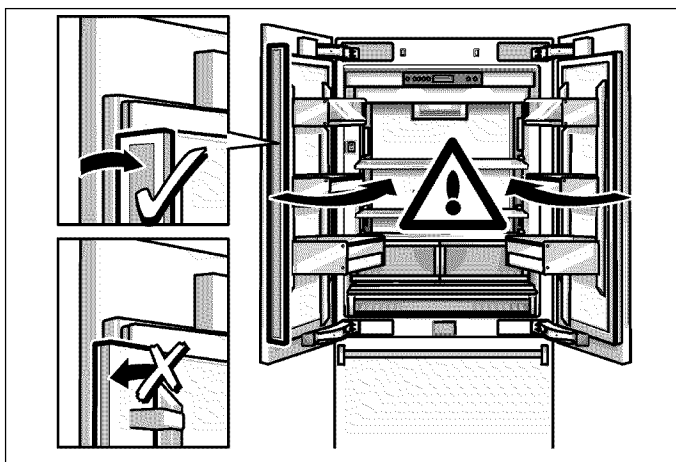
- Déplacez l'appareil de manière sûre à l'aide du diable brouette.
- Retirez l'emballage de transport :
 - Enlevez le carton. Utilisez le cutter avec prudence pour ne pas endommager les surfaces de l'appareil.
 - Avec du ruban adhésif, fixez le cordon d'alimentation électrique contre le dos de l'appareil.
 - Détachez la cale de transport et soulevez l'appareil de la palette – Attention, il est très lourd !
 - Retirez les accessoires fixés contre l'extérieur de l'appareil.
 - Conservez les rubans adhésifs avec lesquels les accessoires d'origine étaient fixés contre l'appareil. Ils serviront plus tard à fixer les protège-bords contre les parois de cavité (voir section 7.).
 - Ouvrez prudemment l'appareil – Attention, il risque de se renverser – et retirez les accessoires ainsi que la quincaillerie de montage présente à l'intérieur. Refermez ensuite les portes !

AVERTISSEMENT

N'enlevez pas la cale de transport (A) située contre la face inférieure du tiroir du compartiment congélateur. Au cours des étapes de travail suivantes, veillez à ne pas endommager le dispositif protège-doigts (B). Tant que l'installation n'est pas terminée, ne retirez pas les cales de sécurité qui, pendant le transport, protègent les clayettes et les bacs de rangement à l'intérieur de l'appareil, sinon ces pièces risquent de s'endommager.



- Vérifiez si l'appareil a été endommagé pendant son transport. N'installez pas l'appareil s'il est visiblement endommagé. Prévenez votre revendeur en cas de doute.



ATTENTION

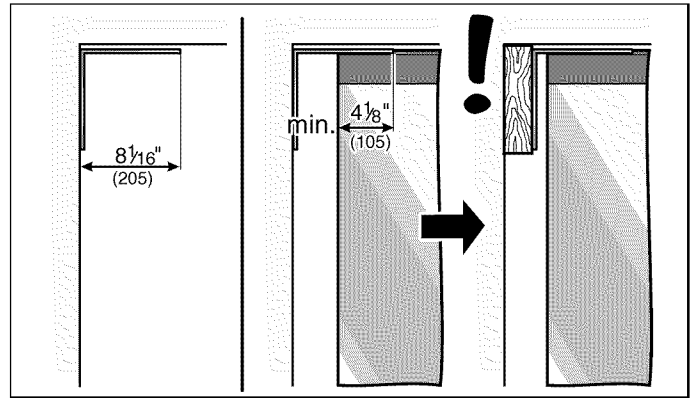
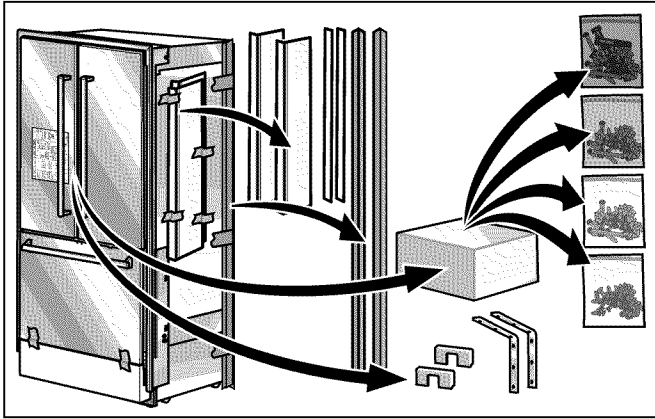
Prudence lorsque vous fermez la porte ! Le longeron monté contre la porte gauche doit avoir été rabattu à la fermeture de la porte. Vous risquez sinon d'endommager l'appareil ou les panneaux frontaux de meuble.

4. Préparation du montage

Déballer la quincaillerie de montage et les accessoires.

Afin que les étapes de travail se déroulent selon la bonne chronologie, les emballages comportent des mentions différentes.

Respectez au cours du travail la feuille récapitulative fixée contre l'appareil !



Il faudrait que la longueur de la planche corresponde à la largeur de la cavité d'installation !

- Définissez les points de fixation des cornières anti-renversement.

Déterminez les dimensions détaillées conformément à la section «Dimensions d'installation», en commençant à partir de la page 50.

- Fixez complètement les cornières anti-renversement. Assurez-vous que les vis tiennent fermement.

5. Préparation de la cavité d'installation

AVERTISSEMENT

Veillez à ce qu'il n'y ait aucun fil électrique ou conduite dans lesquels les vis risqueraient de pénétrer.
Risque de blessures et d'endommagement!

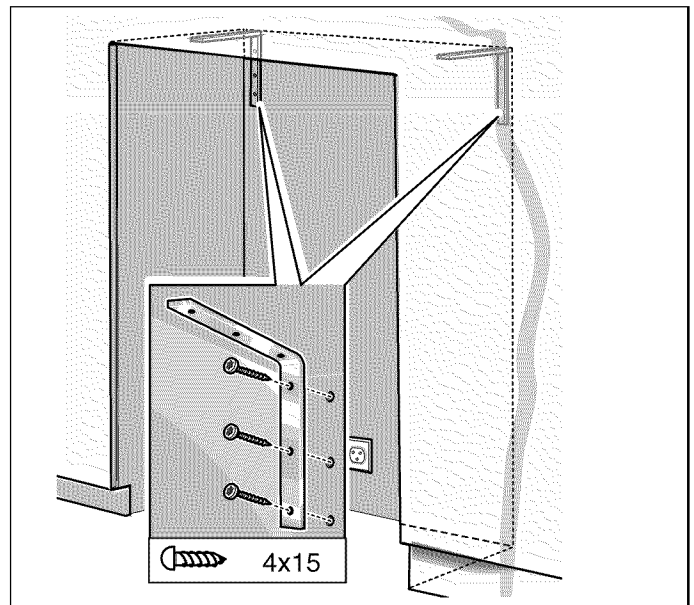
REMARQUE

- Chaque appareil requiert 2 cornières anti-renversement.
- Le kit fournit contient des vis de fixation destinées à différentes applications. Sélectionnez les vis de fixation conformément aux conditions locales.

Pour retenir les appareils sûrement à la verticale, les cornières anti-renversement doivent les retenir par une longueur d'au minimum $4\frac{1}{8}$ " (105 mm).

Si les impératifs structurels empêchent de respecter cette longueur minimum, il est malgré tout possible d'y parvenir en intercalant un dispositif compensateur derrière la cornière anti-renversement, une planche suffisamment épaisse par exemple.

Fixation avec des vis à bois



Fixation avec des chevilles et des vis

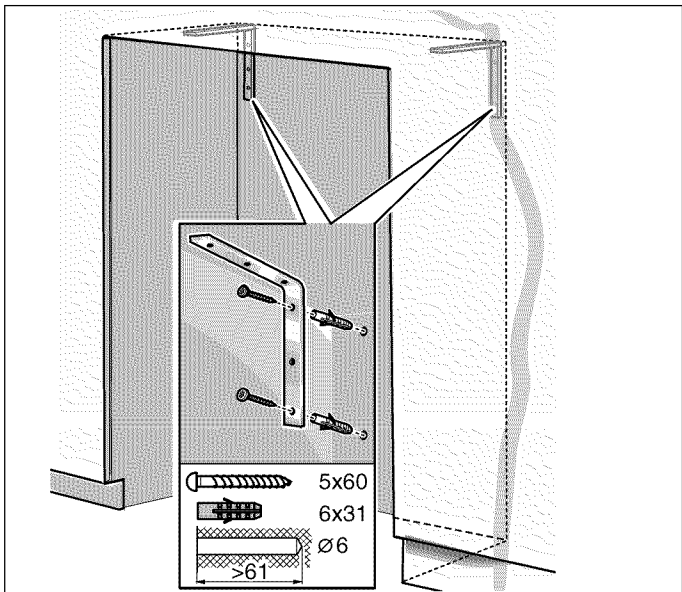
AVERTISSEMENT

Portez toujours des lunettes enveloppantes ou d'autres dispositifs et équipements de protection nécessaires lorsque vous installez des ancrages ou travaillez avec des ancrages. Risques de blessures !

Ancres déconseillées dans la maçonnerie légère ou dans des matériaux tels que les parpaings ou les briques.

Ancres déconseillées dans le béton neuf qui n'a pas encore eu le temps de prendre.

N'utilisez pas de foret à carotte pour percer les trous préparatoires à la pose de cette ancre.



6. Fixation d'un dispositif anti-renversement alternatif

REMARQUE IMPORTANTE

S'il n'est pas possible de fixer les brides anti-renversement de manière sûre, vous pouvez fixer un dispositif anti-renversement alternatif. Toutefois, veillez à ce qu'il n'y ait pas de jeu entre l'appareil et le dispositif anti-renversement.

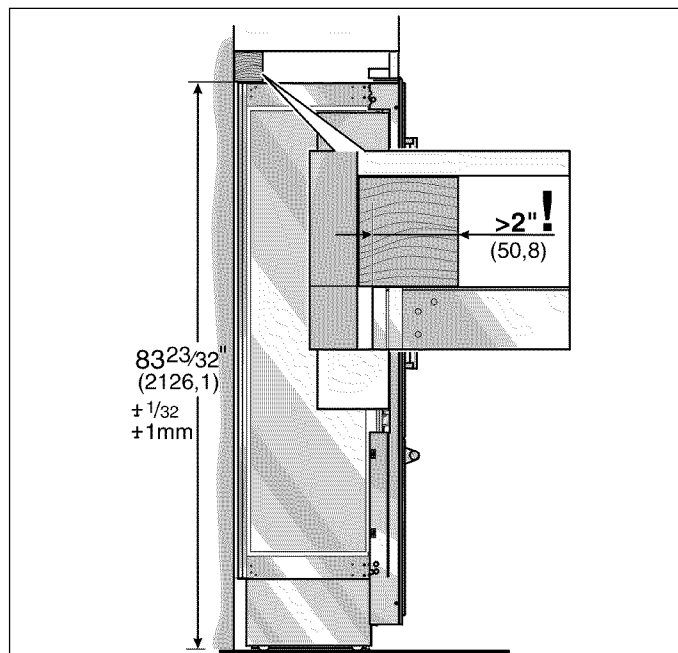
Si possible, vissez toujours le madrier contre les tenons préexistants situés sur le panneau arrière de la cavité.

- Sciez le madrier (section minimum 3" x 4" (75 mm x 100 mm)) à la longueur requise.

La longueur est égale à la largeur de la cavité d'installation !

REMARQUE

- Si la cavité d'installation est plus profonde que l'appareil, sélectionnez un madrier qui présente une plus forte section ou fixez 2 madriers l'un contre l'autre.
- Le madrier doit recouvrir l'appareil sur au moins 2" (50,8 mm).



- Sur le panneau arrière de la cavité, marquez la hauteur de l'installation (bord inférieur du madrier).

- Sélectionnez les vis conformément à l'épaisseur du madrier : longueur = 2,5 min. x épaisseur du madrier, diamètre #12 ou #14.

REMARQUE

Déterminez le nombre de vis en fonction de la largeur de la cavité, en veillant à ce que la poutre puisse être fixée de manière sûre.

Suivant la nature de la surface support :

- Localisez les montants du mur près du panneau arrière de la cavité et marquez les emplacements des trous dans le madrier.

ou

- Fixez des chevilles appropriées dans la paroi arrière.
- Percez des trous préparatoires dans le madrier.
- Fixez le madrier contre le panneau arrière de la cavité.

7. Préparation du raccordement de l'eau

(seulement pour les appareils qui requièrent un accordement à l'eau courante)

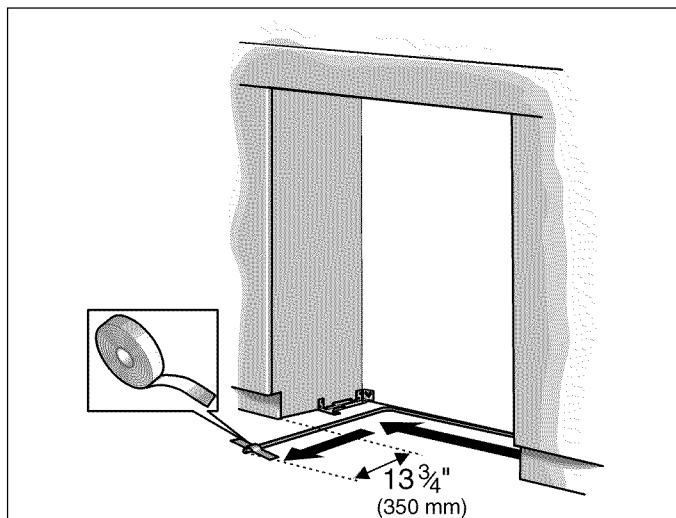


ATTENTION



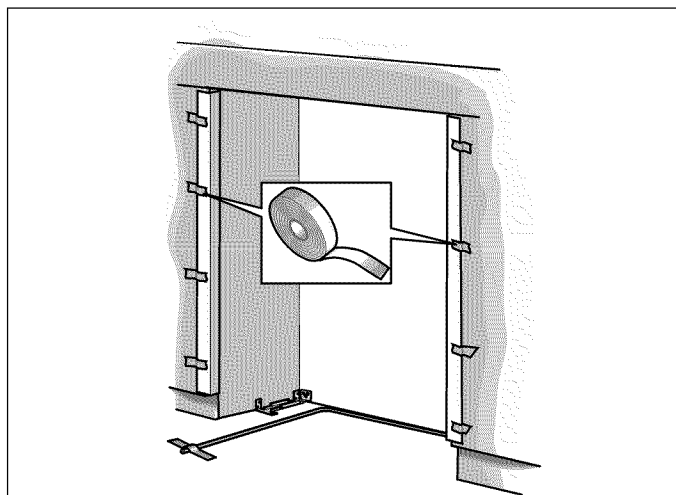
Refermez le robinet d'eau principal pour empêcher que l'eau, en fuyant, ne provoque des dégâts.

- Branchez la conduite de raccordement contre la vanne de fermeture en respectant les instructions fournies par le fabricant du kit destiné à l'installation du distributeur de glaçons.
- Installez la conduite de raccordement. Respectez toujours les dimensions spécifiées pour l'espace libre, ceci pour empêcher d'endommager la conduite de raccordement lorsque vous poussez l'appareil.



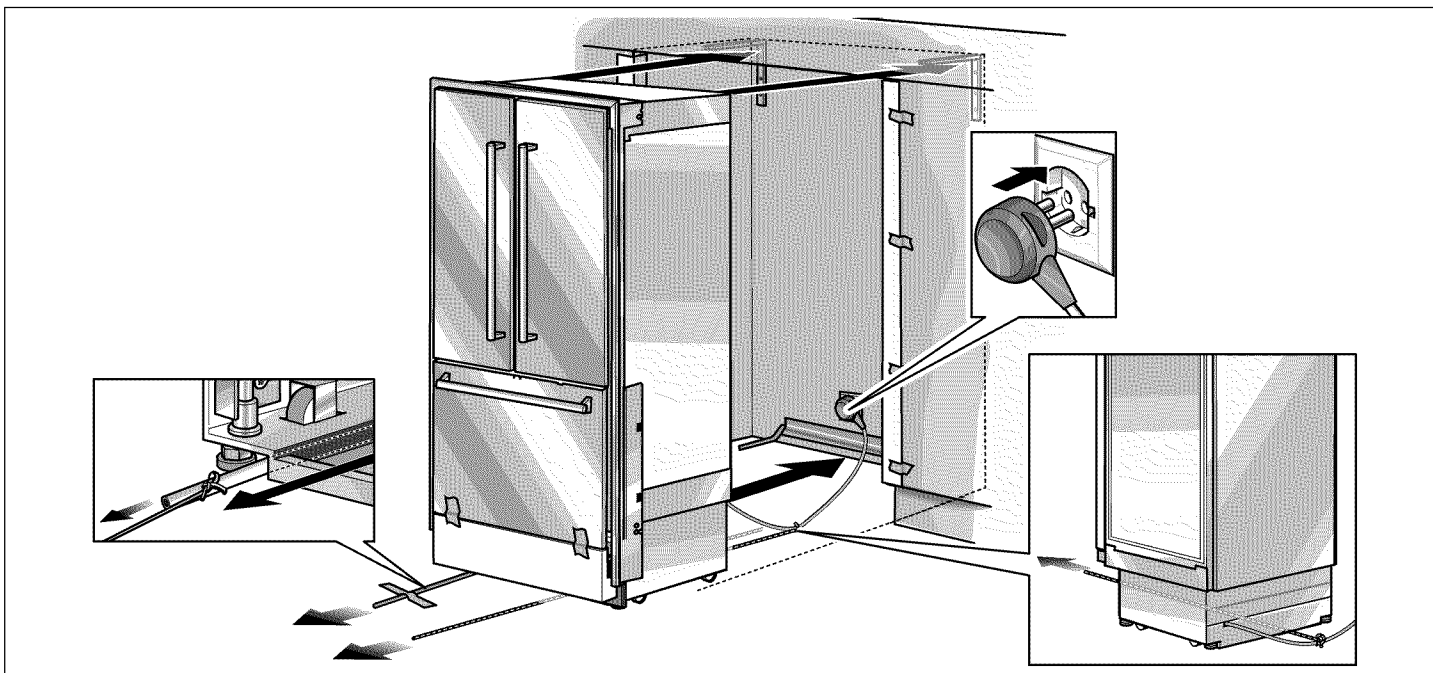
- Fixez la conduite de raccordement contre le plancher à l'aide de ruban adhésif.

8. Fixation du protège-bordures



- Pour protéger les angles de la cavité, fixez les cornières de protection dans ces angles à l'aide de ruban adhésif.

9. Pousser l'appareil dans la cavité d'installation



ATTENTION

Prudence lorsque vous poussez l'appareil dans la cavité d'installation.

Veillez bien à ne pas endommager la conduite d'eau ou le cordon d'alimentation électrique fixé contre le sol.

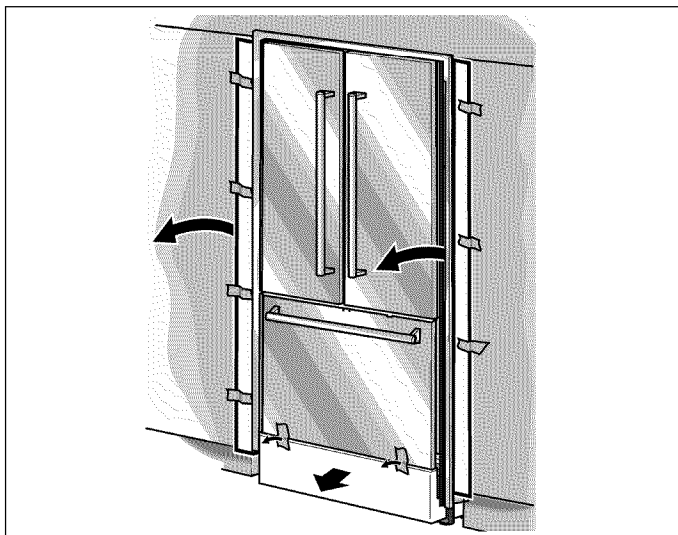
Des deux côtés, contrôlez le bandeau protège-doigts pendant l'encastrement dans la cavité. Immédiatement après l'encastrement, ouvrez et fermez les portes pour contrôler le bon fonctionnement.

REMARQUE

Si le plancher ou l'appareil n'est pas horizontal par rapport à la cavité d'installation, ajustez les roues réglables en hauteur avant d'introduire l'appareil dans la cavité d'installation.

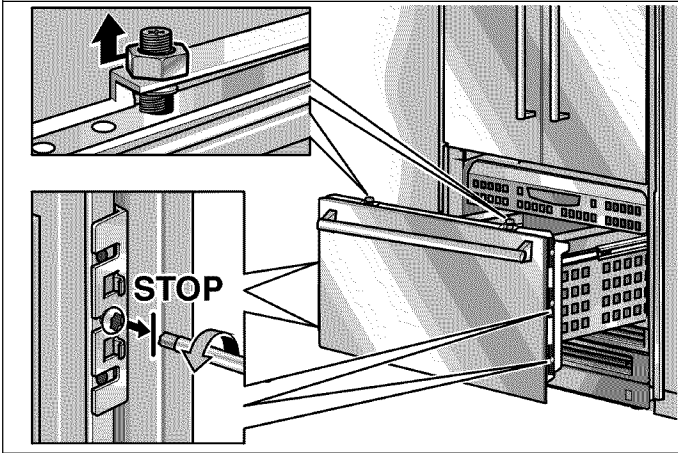
- Branchez la fiche mâle dans la prise de courant.
- Veillez à ne pas coincer ni pincer le cordon d'alimentation électrique.
Fixez une cordelette au milieu du cordon d'alimentation électrique et faites le passer sous l'appareil. Continuez de tirer le cordon au fur et à mesure que vous enfoncez l'appareil.
Ou bien
Prenez du ruban adhésif, collez le cordon d'alimentation électrique contre le plancher, au centre derrière l'appareil, à env. 15" (380 mm) du panneau arrière de la cavité.

- Poussez l'appareil doucement dans la cavité. Attention à ne pas le coincer ! Enfoncez l'appareil jusqu'à ce que le cadre applique contre les parois de la cavité.

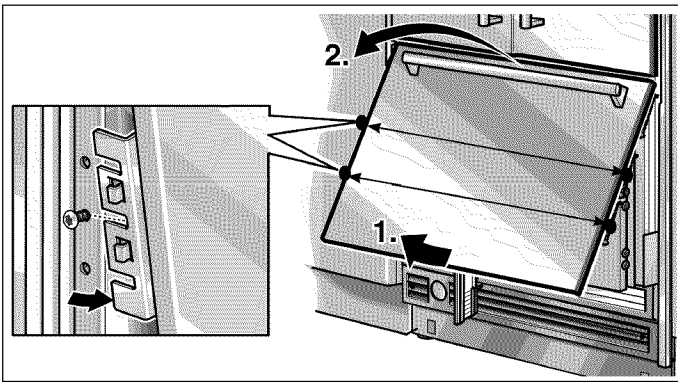


- Enlevez le dispositif de protection des angles.
- Enlevez la cale de transport située contre la face inférieure du tiroir du compartiment congélateur.
- Vérifiez le fonctionnement du bandeau protège-doigts. Ouvrez et fermez les deux portes du compartiment réfrigérateur. Le bandeau protège-doigts doit glisser sans résistance dans l'interstice entre l'appareil et la paroi de la cavité.

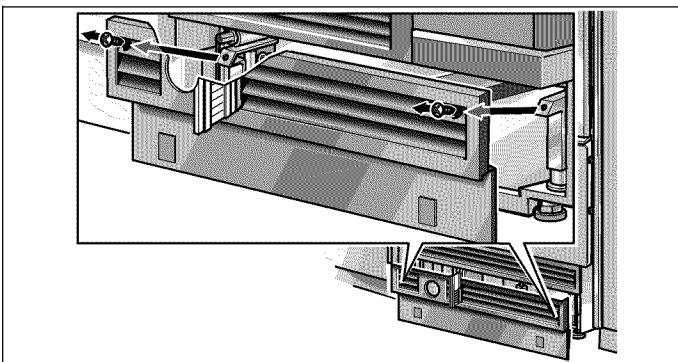
10. Retirer la façade en acier inoxydable du tiroir du compartiment congélateur



- Desserrez les écrous situés en haut contre la porte puis dévissez-les. Veillez ce faisant à ne pas faire tourner les goujons filetés, afin de conserver l'orientation de la porte.
- Desserrez les vis situées contre les cornières d'immobilisation, sur les côtés gauche et droit. Ne dévissez pas complètement ces vis !



- En bas, tirez la façade en acier inoxydable pour l'éloigner de la porte et pour détacher des vis les cornières d'immobilisation. Ensuite, par le haut, détachez la porte des goujons filetés.
- Les cornières d'immobilisation reposent non fixées dans les pattes. Veillez bien à ce qu'elles ne se perdent pas.



- De l'appareil, démontez l'habillage du socle.

11. Installation et alignement de l'appareil



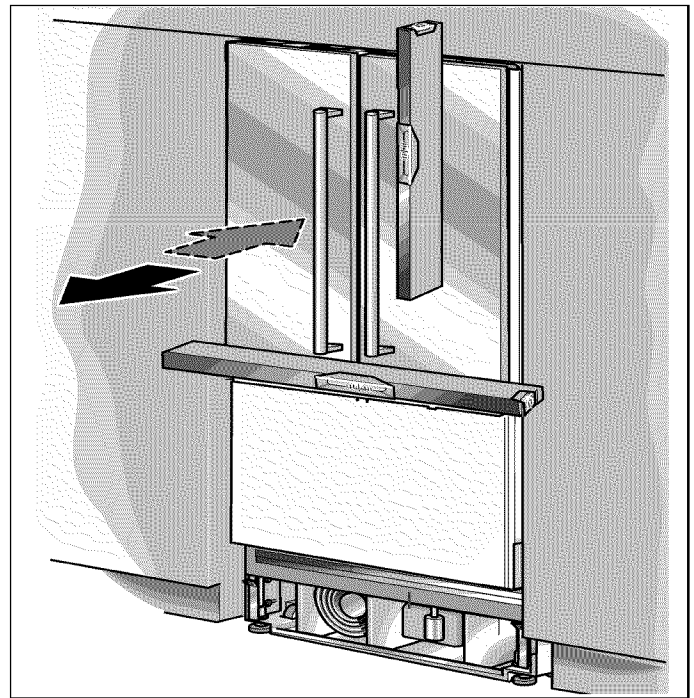
AVERTISSEMENT



N'utilisez jamais une visseuse sans cordon !

REMARQUE

- Ne voilez pas ni ne poussez pas l'appareil de force dans la cavité ! Lorsque vous dévissez les pieds réglables en hauteur, procédez graduellement : alternez en permanence entre les côtés gauche et droit, gauche et droit, etc.
- Si vous délestez l'arrière de l'appareil, l'ajustage de ses pieds arrière réglables est plus facile.
- Si vous utilisez un madrier à titre de dispositif alternatif anti-renversement selon la section 6. de ce manuel d'installation, faites tourner l'appareil tout le long en direction du madrier.



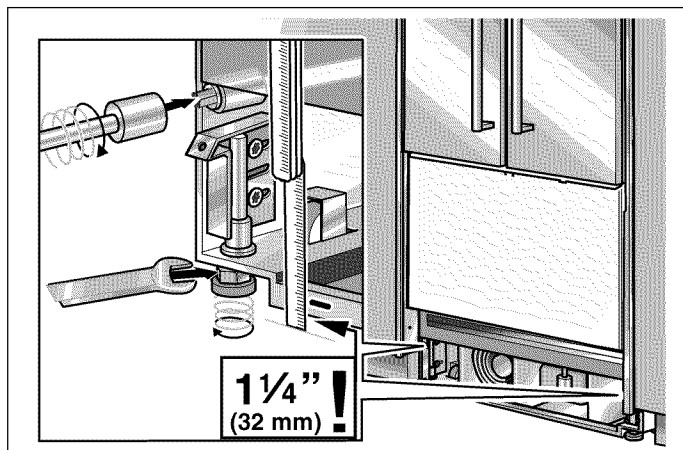
- Alignez l'appareil sur la façade des meubles.

Les pieds réglables en hauteur équipant l'avant et l'arrière de l'appareil se laissent régler depuis l'avant de l'appareil.

Avant : A l'aide d'une clé à fourche $\frac{1}{2}$ " (calibre SW13)

Arrière : A l'aide d'un tournevis à douille $\frac{5}{16}$ " (8 mm) via une queue flexible.

A titre de cote de référence pour l'ajustage en hauteur, une marque a été apposée contre la base de l'appareil. Lors de l'ajustage, il faudra amener cette marque sur une hauteur de 1 1/4" (32 mm) au-dessus du sol.



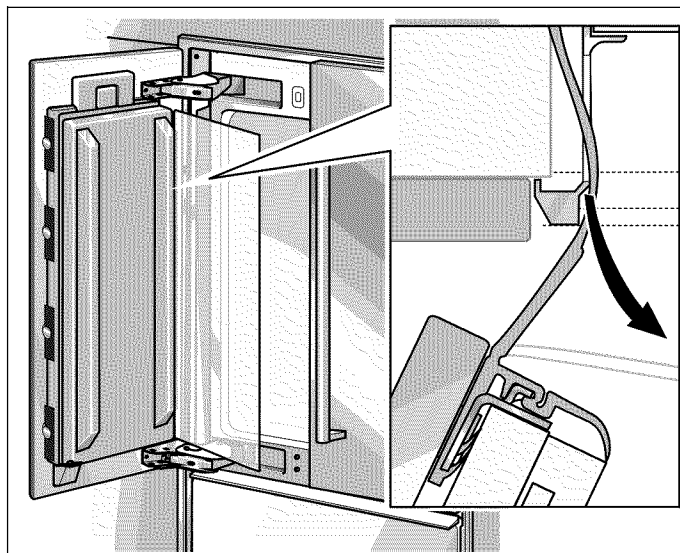
- Dévissez les pieds réglables en hauteur jusqu'à ce que la marque sur la base/le sol a atteint la dimension guide indiquée (1 1/4" / 32 mm).

REMARQUE

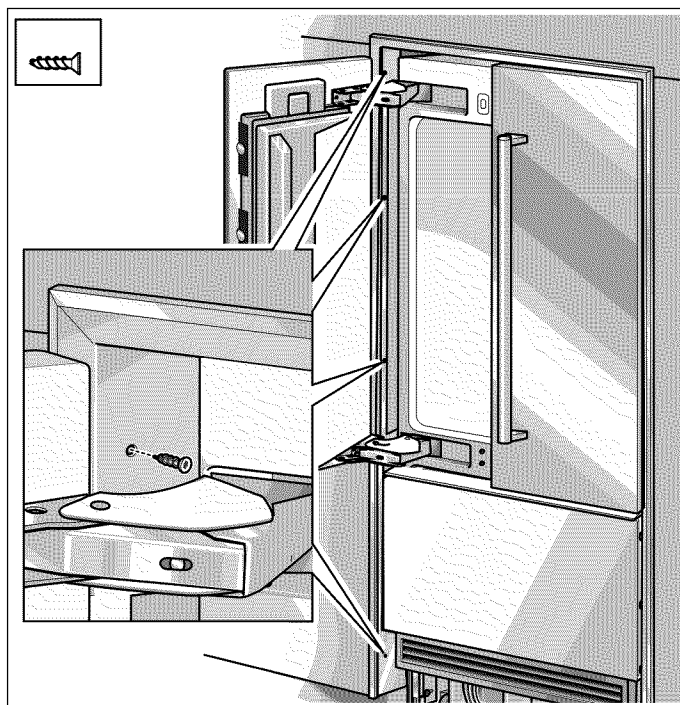
Il est très important de respecter cette dimension pour pouvoir ensuite aligner les façades des meubles.

- Alignez les façades des meubles à l'aide d'un niveau à bulle.
- Avant de fixer l'appareil dans la cavité, vérifiez ceci :
 - Si le cadre applique en haut et sur les côtés contre la face avant de la cavité,
 - Si le bandeau protège-doigts fonctionne bien : ouvrez et fermez plusieurs fois les deux portes du compartiment réfrigérateur.

12. Fixer l'appareil dans la cavité



- Ouvrez une porte du compartiment réfrigérateur.
- Extrayez complètement le bandeau protège-doigts de l'interstice entre l'appareil et la paroi de la cavité.



- A travers l'interstice entre la porte et le corps, vissez avec 3 vis le cadre contre la paroi de la cavité.
- En dessous du tiroir du compartiment congélateur, vissez avec 1 vis le cadre contre la paroi de la cavité.
- Ouvrez l'autre porte du compartiment réfrigérateur et extrayez le bandeau protège-doigts. Vissez avec 4 vis le cadre contre la paroi de la cavité.
- Par la découpe ménagée dans le cadre, insérez le bandeau protège-doigts entre l'appareil et la paroi de cavité.

13. Raccordement de l'eau à l'appareil



ATTENTION

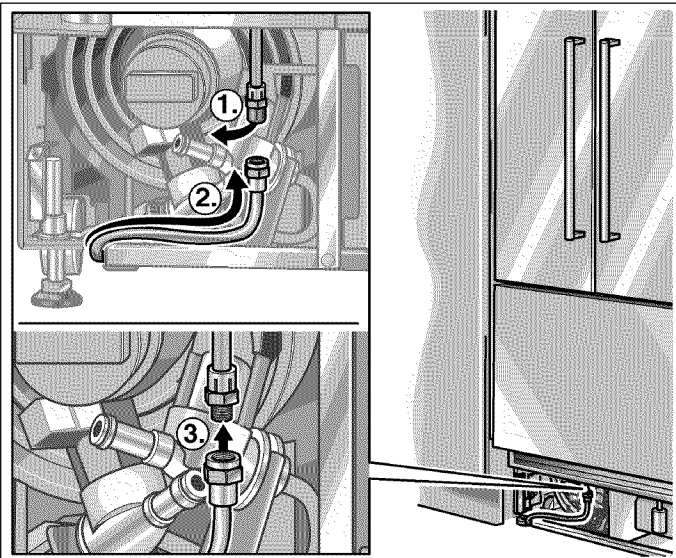


Lorsque vous recourbez une conduite d'eau, ne la pliez pas, sinon il y a risque que de l'eau fuie et provoque des dégâts.

REMARQUE

Lorsque vous raccordez la conduite d'eau à l'électrovanne de l'appareil, respectez les instructions fournies par le fabricant du kit servant à installer le distributeur de glaçons ; ces instructions accompagnent le manuel d'installation.

- Retirez le capuchon du raccord (1.) de l'appareil.
- Coupez la conduite conformément à l'emplacement du raccord sur l'appareil (2.).
- Poussez l'écrou de jonction et le joint contre la conduite d'eau.
- Poussez l'extrémité de la conduite d'eau dans le raccord de l'appareil et vissez l'écrou (3.). Serrez à fond mais à la main.
- A l'aide d'une clé à fourche, serrez l'écrou de jonction. Veillez à ne pas serrer à l'excès !



- Ouvrez la vanne de fermeture et le robinet d'eau principal. Vérifiez si le raccord de la vanne de fermeture et celui de l'appareil présentent des fuites.

14. Fixation du bandeau de socle

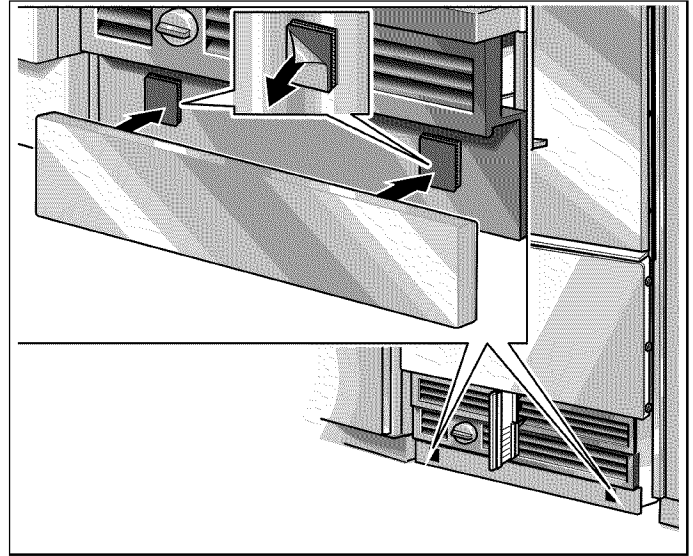


ATTENTION

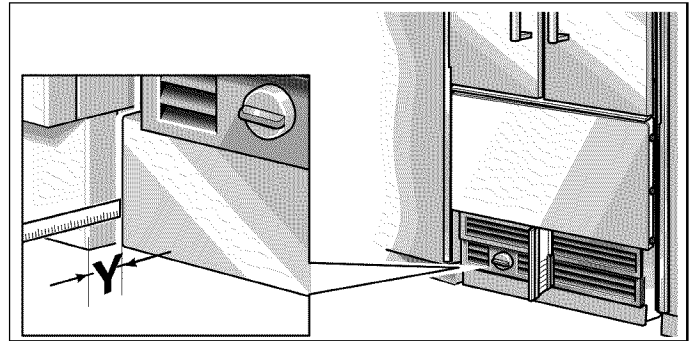


La hauteur maximale du bandeau de socle est de 4" depuis la surface du plancher. Ne recouvrez pas les ouïes de ventilation que comporte le panneau de base. Risque d'endommager l'appareil.

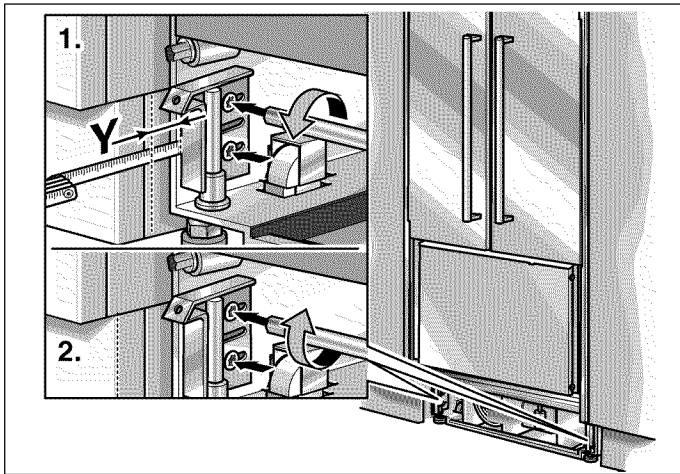
- Si nécessaire, réduisez le bandeau de socle à la longueur voulue.
- Fixez le panneau de base contre l'appareil.



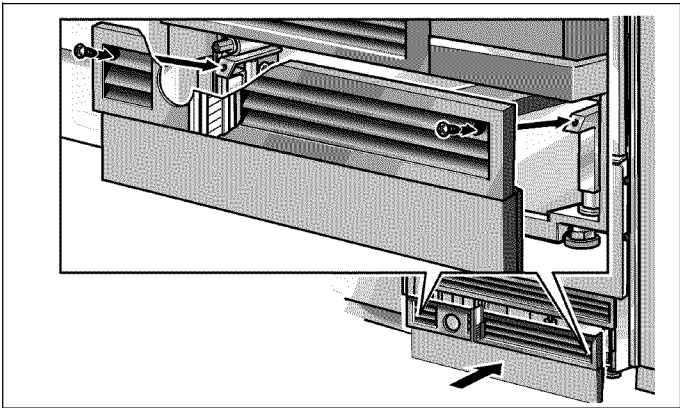
- Retirez la pellicule protectrice des pastilles adhésives sur la bande Velcro.
- Fixez le bandeau de socle contre le panneau de base puis appuyez fermement pour le mettre en place.



- Placez le panneau de base (sans visser) puis mesurez la différence de profondeur **Y** entre le panneau de base et le bandeau de socle sur le meuble adjacent.
- Retirez le panneau de base.
- Détachez les brides retenant le panneau de base et enfoncez complètement.



- Sortez les brides d'une distance égale à la profondeur **Y** mesurée.
- Serrez les brides fermement.

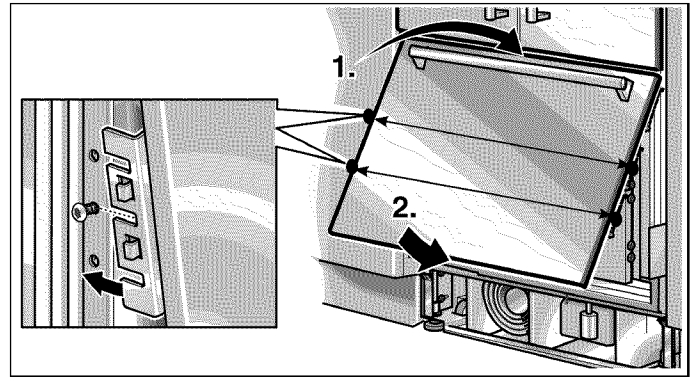


- Fixez le panneau de base.

REMARQUE

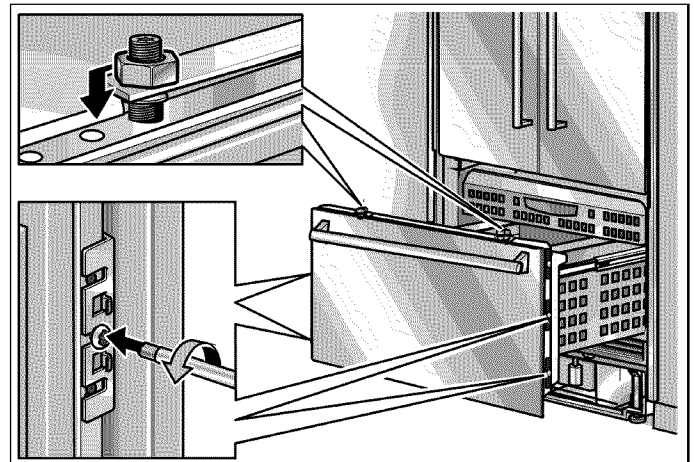
Si nécessaire, vous pouvez visser le bandeau de socle contre le panneau de base. Il y a des trous à vis dans le panneau de base, à proximité de la bande Velcro.

15. Montage de la façade en acier inoxydable contre le tiroir du compartiment congélateur



- Accrochez la façade en acier inoxydable via les goujons filetés.
- En bas, détachez la façade en acier inoxydable de la porte du compartiment congélateur et faites coulisser, de haut en bas, les cornières d'immobilisation via les vis.
- Tiroir du compartiment congélateur fermé, contrôlez la profondeur de la façade en acier inoxydable par rapport aux façades des meubles voisins.

Si l'alignement en profondeur est correct, serrez à fond les vis équipant les cornières d'immobilisation.



- En haut sur la porte, vissez les écrous sur les goujons filetés. Ne les serrez pas encore à fond.
- Contrôlez l'alignement latéral de la façade en acier inoxydable. Si l'alignement latéral est correct, serrez les écrous à fond.

16. Mise en service de l'appareil



CAUTION



Contrôlez si le bandeau protège-doigts fonctionne bien. Vérifiez notamment

- Si le bandeau protège-doigts est correctement fixé contre l'appareil et
- Si le bandeau protège-doigts glisse facilement en avant et en arrière respectivement à l'ouverture et à la fermeture des portes du compartiment réfrigérateur.

Pour garantir la précision des étapes de travail suivantes et donc de l'ensemble de la physionomie ultérieure de la façade de la cuisine, il faut mettre l'appareil en service maintenant.

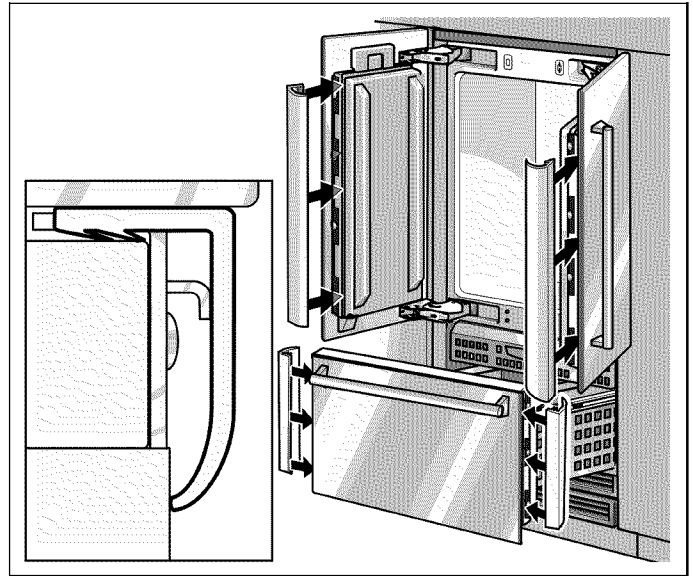
- Ouvrez la porte de l'appareil.
- Appuyez sur le bouton POWER.

Seulement pour les appareils qui requièrent un raccordement à l'eau courante :

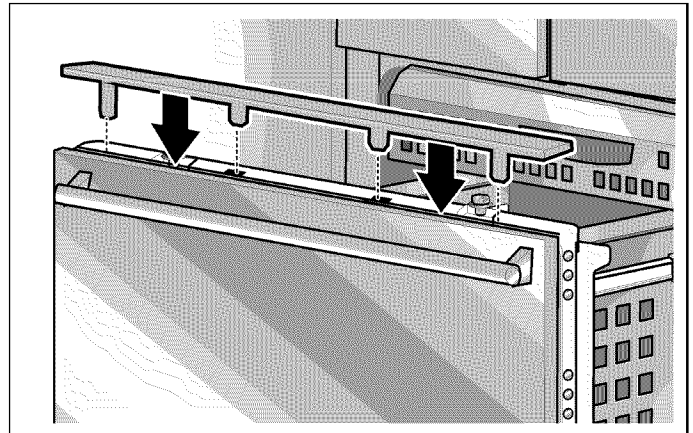
NOTE

In order to avoid the risk of damage caused by leaking water from damage possibly caused to the water pipe feeding the appliance, keep the shut-off valve closed.

17. Fixation des couvercles



- Sur les côtés poignée des portes, enfoncez les baguettes couvre-joint dans la fente située entre la face en acier inoxydable et la porte de l'appareil.
- Sur le tiroir du compartiment congélateur, enfoncez les baguettes couvre-joint dans la fente située entre la face en acier inoxydable et le tiroir.



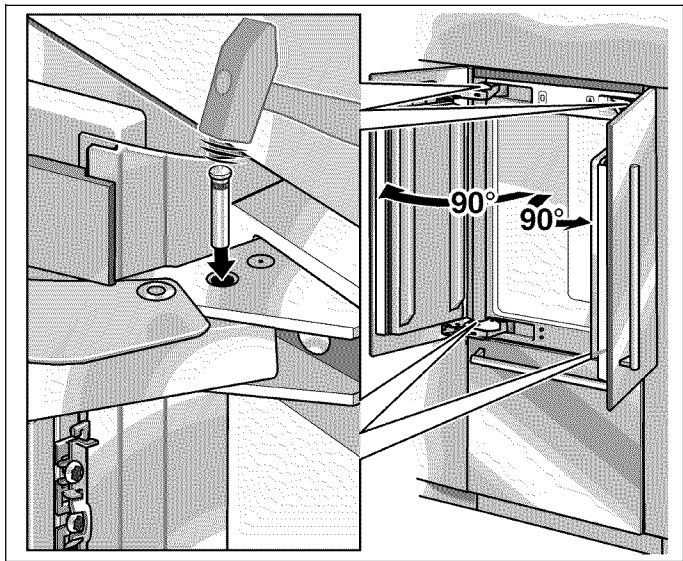
- Insérez la plaque supérieure sur la porte du compartiment réfrigérateur.

18. Ajustage de l'angle d'ouverture de porte

Suivant les conditions d'installation, il pourra être nécessaire d'ajuster l'angle d'ouverture de la porte. Un angle d'ouverture de 115° a été ajusté en usine.

Pour conférer à la porte un angle d'ouverture de 90° :

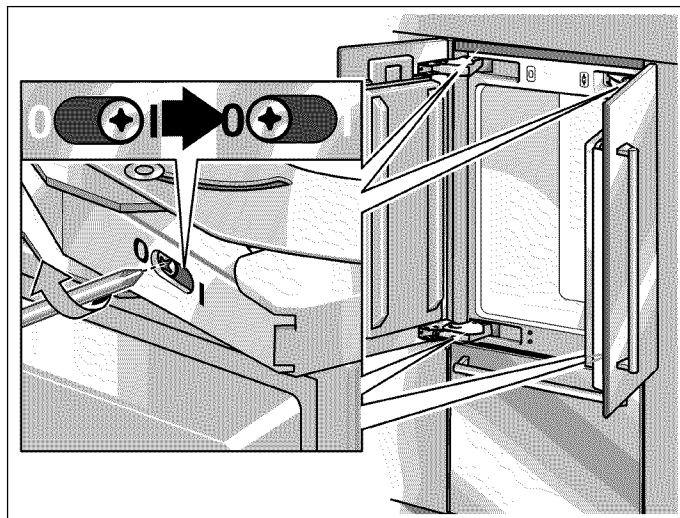
- Ouvrez la porte à 90°.



- Introduisez la tige de limitation à travers les deux alésages superposés puis enfoncez-la à l'aide d'un marteau.

19. Changement du ressort de porte

Pour ajuster le ressort de porte :



- A l'aide d'un tournevis à empreinte cruciforme, tournez la vis d'ajustage.

I = Plus forte tension possible du ressort

0 = Pas de tension ressort

Índice

Antes de comenzar	44
General	44
Definiciones	44
Important information	44
Opciones de instalación	45
Unidad individual	45
Electrodomésticos individuales con separación	45
En el final de las unidades de cocina	45
Emplazamiento de la instalación	46
Ambiente de emplazamiento	46
Cavidad de instalación	46
Muebles y adornos	46
Base	46
Conexión a la red de alimentación	47
Procedimiento de puesta a tierra adicional	47
Instrucciones de conexión a tierra	47
Conexión del agua	47
Medidas de instalación	48
Medidas del electrodoméstico	49
Accesorios y herramientas necesarias	50
Accesorios que forman parte del volumen de entrega	50
Accesorios opcionales	50
Otros accesorios necesarios para salidas especiales	50
Herramientas	50
Otros	50
Instrucciones de instalación	51
1. Control de la cavidad para la instalación	51
2. Transporte del equipo	51
3. Desembalaje	52
4. Preparativos para el montaje	53
5. Preparación de la cavidad de instalación	53
6. Montaje de un dispositivo antivuelco adicional	54
7. Preparación para conectar el agua	55
8. Protección de los bordes	55
9. Colocando el electrodoméstico en la cavidad de instalación	56
10. Desmontaje del frente de acero inoxidable de la gaveta del compartimiento de congelación	57
11. Alineación del electrodoméstico	57
12. Fijar el aparato en la cavidad de montaje	58
13. Conexión del agua al electrodoméstico	59
14. Sujeción del panel de protección	59
15. Montaje del frente de acero inoxidable en la gaveta del com-partimiento de congelación	60
16. Puesta en marcha del equipo	61
17. Montaje de las cubiertas	61
18. Ajuste del ángulo de apertura de la puerta	61
19. Cambio del muelle de la puerta	62

Antes de comenzar

Lea estas instrucciones completamente y con detenimiento.

ADVERTENCIA

La parte superior de este electrodoméstico es más pesada que la de abajo, por lo que se lo debe asegurar a fin de evitar que vuelque hacia delante. Se requiere de una protección antivuelco.

Mantenga las puertas cerradas hasta que el electrodoméstico esté completamente instalado y asegurado según las instrucciones de instalación.

Debido al peso y las dimensiones del electrodoméstico y a fin de reducir el riesgo de lesiones personales o de daños al producto – **SE REQUIERE DE DOS PERSONAS PARA UNA INSTALACIÓN ADECUADA.**

Este electrodoméstico debe conectarse correctamente a tierra. Consulte la sección «Conexión a la red de alimentación».

Utilice el electrodoméstico exclusivamente para lo que ha sido previsto.

Repáre o cambie inmediatamente los cables eléctricos si están gastados o dañados.

Desenchufe el electrodoméstico o desactive el fusible antes de limpiar o efectuar reparaciones.

ATENCIÓN

Una instalación adecuada de este electrodoméstico requiere de conocimientos específicos básicos en mecánica, carpintería y fontanería.

Una instalación adecuada de este electrodoméstico requiere de conocimientos específicos básicos en mecánica, carpintería y fontanería. Fallos en el producto debido a una instalación inadecuada no está cubiertos por la garantía.

Consulte el manual del usuario por la información concerniente a la garantía.

IMPORTANTE

Guarde estas instrucciones para el uso del inspector local. Tenga en cuenta todas las disposiciones y ordenanzas gubernamentales.

Nota para instalador – Asegúrese de dejar estas instrucciones al usuario.



Nota para el usuario – Guarde estas instrucciones con su manual para el propietario.

General

Las reparaciones debe efectuarlas un técnico calificado. Estas instrucciones de instalación se entienden para se usadas por instaladores calificados. Todas las conexiones de agua, alimentación eléctricas y conexión a tierra, deben cumplir con las prescripciones y ordenanzas locales y deben ser realizadas por personal con las licencias correspondientes si así se lo requiere. En ausencia de prescripciones locales:

- En los E.E.U.U., de acuerdo con el National Electric Code, ANSI/NFPA70 - última edición/prescripciones municipales y/o locales.
- En Canadá, de acuerdo con el Canadian Electric Code C22.1 - última edición prescripciones municipales y/o locales..

Definiciones

	ADVERTENCIA	
ADVERTENCIA – indica que existe peligro de lesiones graves y aún de muerte, que pueden ocurrir como resultado de la inobservancia de esta advertencia.		

	ATENCIÓN	
ATENCIÓN – indica que pueden producirse lesiones menores o daños que pueden ocurrir como resultado de la inobservancia de esta advertencia.		

IMPORTANTE/NOTA		
IMPORTANTE / NOTA – Este símbolo se utiliza para llamar la atención del usuario respecto de algo en particular.		

Important information

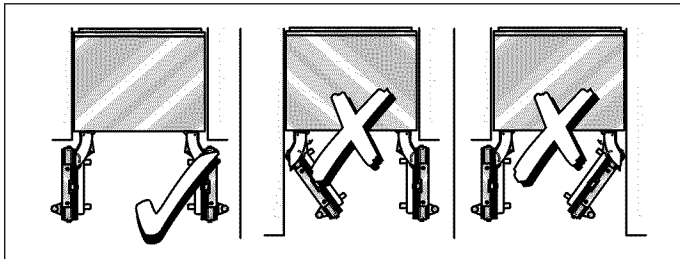
No se puede enfatizar suficientemente la importancia de cumplir con todas las disposiciones e instrucciones contenidas en este manual. La instalación debe realizarla un instalador calificado.

Antes de comenzar con la instalación, lea este manual completamente. Contiene detalles importantes, que el instalador debe observar. Siempre que se haya leído prolijamente, la instalación será simple, sin problemas y ante todo, segura.

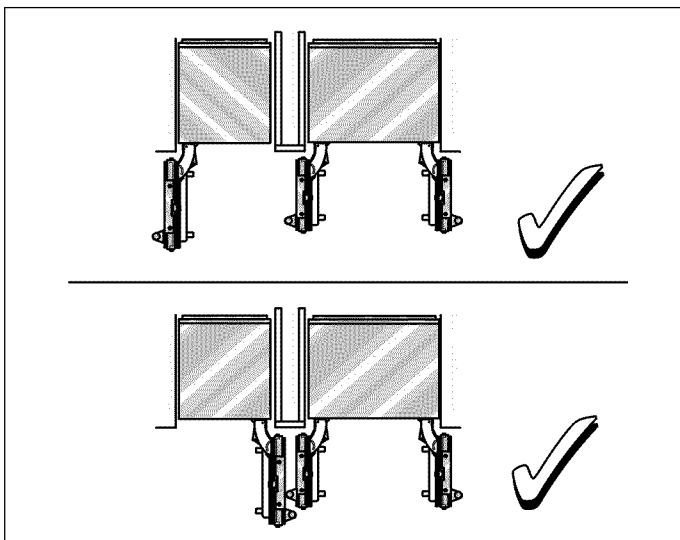
Opciones de instalación

Las opciones de instalación limitadas exclusivamente por el diseño de la cocina y la función de la protección para los dedos.

Unidad individual



Electrodomésticos individuales con separación



- Si dimensiona los espacios para el modelo 2, tenga en cuenta el espesor de los paneles frontales de los muebles, a fin de evitar daños si se abren las dos puertas simultáneamente.
- Utilice el Extreme Combination Heating kit (combinación y calentamiento) si el espacio entre los dos electrodomésticos es menor que 6" (160 mm). Consulte la sección «Accesorios opcionales».
- La separación mínima debe ser de $\frac{5}{8}$ " (16 mm).



En el final de las unidades de cocina

Si uno de los lados del electrodoméstico está a la vista, debe colocarse un panel lateral.

El panel lateral debe sujetarse firmemente en la pared, el piso y el mueble o adorno superpuesto antes de colocar el electrodoméstico en la cavidad.

Las dimensiones del panel lateral, deben tomarse en la pared opuesta de la cavidad. Controle durante la instalación que la cavidad esté a escuadra y que tenga las dimensiones adecuadas.

Emplazamiento de la instalación

 ADVERTENCIA 
No instale el electrodoméstico: <ul style="list-style-type: none">– a la intemperie,– en un ambiente donde gotee agua,– en ambientes donde existe peligro de heladas. El electrodoméstico es muy pesado. Por los pesos del equipo vacío, consulte la tabla siguiente: Bottom Freezer 36" (Congelador independiente) aprox. 430 lbs/195 kg

Ambiente de emplazamiento

El electrodoméstico debe instalarse en un ambiente seco y bien ventilado.

La temperatura del ambiente no debe descender de los 55 °F (13 °C) o aumentar más allá de los 110 °F (43 °C). De lo contrario puede no funcionar correctamente.

El lugar de emplazamiento no debe estar expuesto a la luz solar directa, ni cerca de una fuente de calor como una estufa, radiador, etc.

Si es inevitable instalarlo cerca de una fuente de calor, utilice una placa aislante adecuada o asegure una distancia mínima respecto de la fuente de calor:

- 1 1/4" (30 mm) de un horno eléctrico,
- 12" (300 mm) de un horno a aceite o combustible seco.

Cavidad de instalación

Es importante observar las dimensiones especificadas para la cavidad de instalación a fin de garantizar una instalación del electrodoméstico sin problemas y para una vista general adecuada del mueble.

Controle particularmente que la cavidad esté a escuadra.

Esto puede controlarse con herramientas adecuadas, como un nivel de agua, mediciones en diagonal, etc.

Las paredes laterales de la cavidad deben ser planas.

El espesor mínimo de las paredes laterales y la pared superior debe ser de 5/8" (16 mm).



El espesor mínimo de panel de protección debe ser de 1/2" (13 mm). Se recomienda un espesor de 3/4" (19 mm).

Muebles y adornos

El electrodoméstico debe atornillarse firmemente a los muebles o adornos adyacentes y superpuestos.

A tal fin es esencial que todos los muebles o adornos estén firmemente sujetos al suelo o las paredes con medios adecuados.

Base

 ADVERTENCIA 
Un electrodoméstico plenamente cargado es muy pesado. Consulte la tabla siguiente para la carga total requerida de la base: BM (Bottom Mount) 36" (Congelador independiente) aprox. 1200 lbs/540 kg

Para asegurar que el electrodoméstico esté firmemente montado y funcione correctamente, la base de apoyo debe ser plana y horizontal.

La base debe ser de material duro y rígido.

La zona de instalación deben presentar la misma altura que el resto del ambiente.

Para dar cuenta del elevado peso del electrodoméstico plenamente cargado, se requiere que la base resista la carga en cuestión. Si tiene dudas, consulte a un arquitecto o experto en construcción.

Conexión a la red de alimentación

⚠ ADVERTENCIA ⚠

¡ Peligro de descargas eléctricas !

- Conéctelo a un tomacorriente de 3 conductores con conexión a tierra.
- No desconecte el contacto de toma de tierra.
- No utilice adaptadores.
- No utilice cables de prolongación.

El incumplimiento de estas instrucciones puede ser causa de la muerte, incendios o descargas eléctricas.

El electrodoméstico se entrega con un conductor de alimentación de 3 cables, listado según UL.

El electrodoméstico requiere de un tomacorriente de 3 conductores.

Este tomacorriente debe instalarlo un electricista con la licencia debida.

La toma de corriente tiene que estar protegida con un fusible de 10–16 amperios. Rogamos tener en cuenta a tal fin, la tabla siguiente:

Electrodoméstico	Carga simultánea máxima
Bottom Freezer 36" (Congelador independiente)	6 Amper

Oriente el borne de puesta a tierra hacia abajo según se muestra en las figuras.

Por la ubicación de los tomacorrientes, consulte las «Medidas de instalación» en página 48.

Procedimiento de puesta a tierra adicional

Algunas disposiciones locales exigen una puesta a tierra adicional. En este caso debe adquirirse por separado el cable, las grampas y los tornillos accesorios.

Nunca conecte a tierra el electrodoméstico en tuberías de plástico, de gas o de agua.

Instrucciones de conexión a tierra

Este electrodoméstico debe conectarse a tierra.

En caso de un fallo en el funcionamiento o una rotura, la conexión a tierra reduce el riesgo de descargas eléctricas, proveyendo una vía de resistencia menor para la corriente eléctrica.

⚠ ADVERTENCIA ⚠

Una conexión inadecuada del conductor de puesta a tierra puede ser causa de una descarga eléctrica. Haga controlar el electrodoméstico por un electricista calificado o personal del servicio técnico si tiene dudas respecto de una conexión a tierra correcta.

Conexión del agua

⚠ ATENCIÓN ⚠

¡Conectar el electrodoméstico exclusivamente a una tubería de agua potable!

Se requiere de una conexión de agua fría, para el funcionamiento del generador automático de hielo. La presión del agua debe estar comprendida entre 25 a 120 p.s.i. (1,72 a 8.25 bar).

La instalación debe cumplir con las reglamentaciones de tubería de agua locales y las leyes nacionales correspondientes.

Debe instalarse una válvula de cierre en la conexión de agua del electrodoméstico.

La válvula de cierre no debe encontrarse detrás del electrodoméstico. Se recomienda instalar dicha válvula en la cercanía inmediata del electrodoméstico (unidad base) o en otra zona de fácil acceso.

Durante la instalación del agua, observe las zonas de instalación permitidas para la tubería. Por las zona mencionadas y sus medidas, consulte «Medidas de instalación».

La tubería de alimentación puede ubicarse al costado derecho (a), al costado izquierdo (b), o debajo (c).

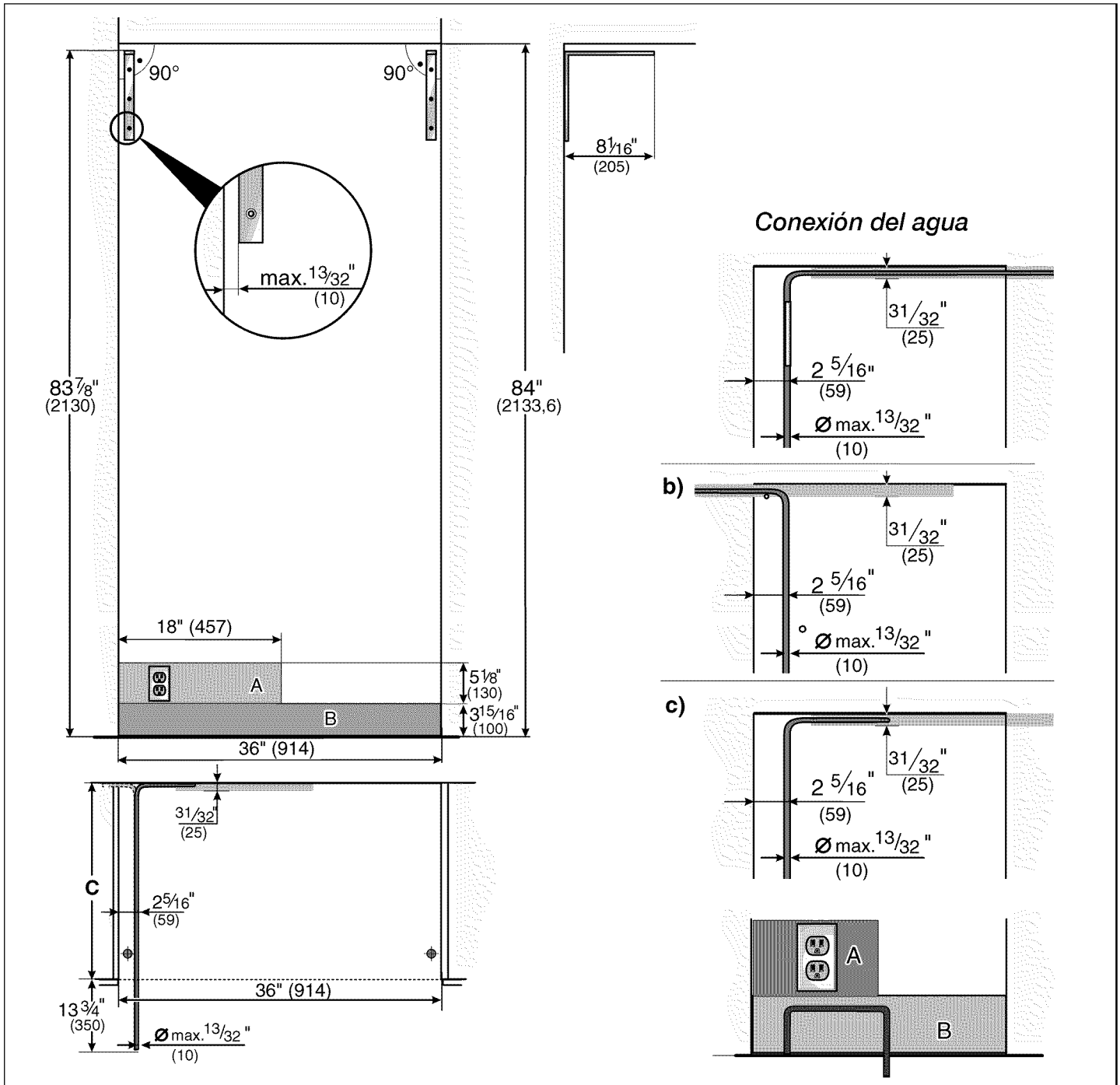
El diámetro externo máximo de la tubería (sin las monturas): $1\frac{3}{32}$ " (10 mm).

Sujete la válvula para la conexión de agua, en un sitio de fácil acceso.

¡No utilice una válvula de conexión por perforado!

Medidas de instalación

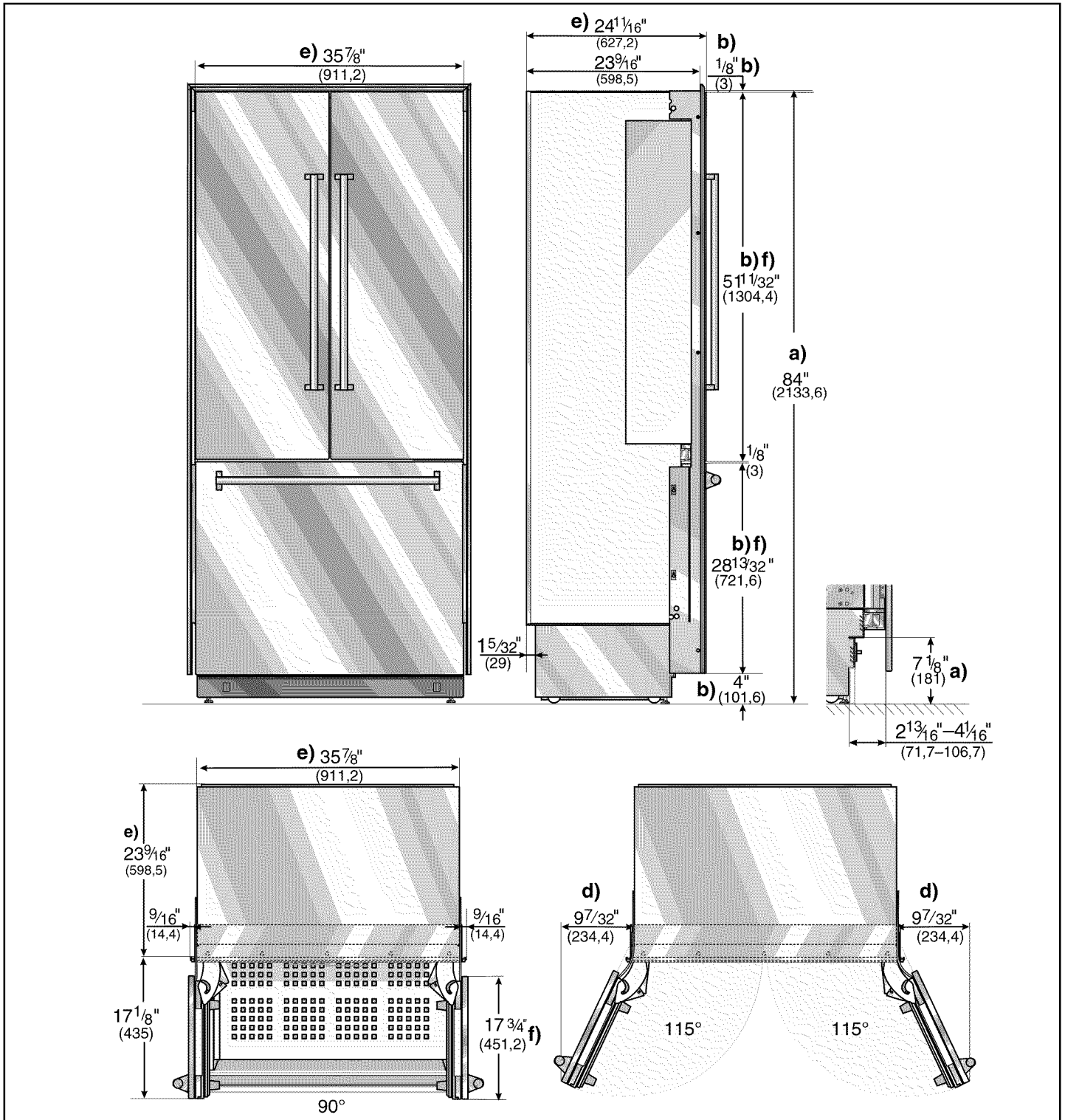
Instalación simple



- Legenda:**
- A Zona para la conexión a la red de potencia
 - B Zona para la instalación de la conexión de agua
 - C Altura de la abertura, según el diseño de la cocina
- D = 24" (610 mm) como mínimo

Nota: La cavidad debe estar a escuadra.
La pared lateral de la cavidad debe ser plana

Medidas del electrodoméstico



Legenda:

- a) Ajuste con patas niveladoras
 $+1\frac{3}{8}"$ (35 mm) / $-1\frac{1}{2}"$ (13 mm)
- b) Las medidas pueden variar.
- d) Esta medida puede variar dependiendo de la instalación,
 el espesor del panel y el equipamiento de la cocina

- e) Medidas de la unidad
- f) Medidas del panel puerta

Accesorios y herramientas necesarias

Accesorios que forman parte del volumen de entrega

- Instrucciones para el montaje
- Instrucciones de funcionamiento
- Juego de instalación

Accesorios opcionales

Extreme Combination Side-by-Side Heating kit (combinación lado a lado y calentamiento)

Si el espacio entre los electrodomésticos es menor que 6" (160 mm).

Otros accesorios necesarios para salidas especiales

Juego para la instalación de un generador de hielo con línea de 1/4" de cobre

Para electrodomésticos que requieren agua. P. ej. para un generador de hielo.

i Diámetro máximo de la tubería de agua (sin accesorios): $1\frac{3}{32}$ " (10 mm).

Herramientas

- Destornillador a batería T20
- Destornillador tipo Torx T20
- Bit tipo Torx T20 + un soporte magnético
- Destornillador de ranura en cruz $\frac{5}{16}$ " (8 mm)
- Brocas para madera de diversas medidas
- Llave de boca $\frac{1}{2}$ " (SW 13 mm)
- Pinza universal
- Llave ajustable
- Cuchilla de hoja ajustable
- Cinta de medir metálica
- Escuadra
- Nivel de agua de 2' (60 cm) y 4' (1,2 m)
- Nivel marcador, con una longitud mínima de 4' (1,2 m) para electrodomésticos individuales o 7' (2,0 m) para instalación Side-by-Side (Lado a lado).

Otros

- Escalera
- Carro de mano
- Perforadora para practicar orificios en paredes o pisos.
- Bits de diferentes tamaños y materiales.
- Viguetas de madera (sección transversal mínima de 3" x 4" (75 mm x 100 mm)) como protección alternativa contra vuelcos, de longitud adecuada al ancho de la cavidad.
- Tornillos de madera de diferentes tamaños
- Material delgado (máx. $\frac{1}{16}$ " (1.5 mm)), adecuado para evitar daños en el piso (p. ej. linóleo)
- Material adecuado para cubrir y proteger los muebles (p. ej. láminas de protección).
- Cinta adhesiva.

IMPORTANTE

Verificar antes de usar la cinta adhesiva si ésta deja restos de adhesivo en las superficies de los componentes. En caso de que así fuera, no deberá usarse en aparatos con superficies delicadas y de alta calidad.

Instrucciones de instalación

1. Control de la cavidad para la instalación

ATENCIÓN

Para asegurar una instalación sin problemas y una vista adecuada del frente del mueble a instalar, controle prolijamente la cavidad para que la instalación cumpla con los requerimientos del caso.

Para asegurar una instalación sin problemas y una vista adecuada del frente del mueble a instalar, controle prolijamente la cavidad para que la instalación cumpla con los requerimientos del caso.

- Controle la base.
Siga las instrucciones de la sección «Emplazamiento de la instalación» en página 46.
- Controle las medidas de la cavidad.
- Controle que la cavidad esté a escuadra.
- Controle la ubicación del tomacorriente.
Siga las instrucciones de la sección «Conexión a la red de potencia» en página 65 y la sección «Medidas de instalación» en página 66.
- Controle la ubicación de la conexión del agua (únicamente en caso de electrodomésticos con generador de hielo).
Siga las instrucciones de la sección «Conexión del agua» en página 47.
- Controle la sujeción de los muebles o adornos adyacentes. Todos los muebles en las cercanías del electrodoméstico deben estar firmemente sujetos a las paredes.
- Controle que los muebles o adornos adyacentes no colisionen (ángulo de apertura de las puertas).

2. Transporte del equipo

ATENCIÓN

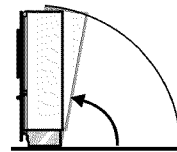
El equipo es muy pesado. Por ello debe tenerse especial cuidado, ya que eventuales colaboradores pueden verse lesionados o el equipo puede sufrir daños.

- Transportar el equipo con elementos de transporte adecuados al sitio de emplazamiento y al equipo mismo (carretilla para sacos, elevador a horquillas o carro).
- Asegurar el electrodoméstico para que no pueda volcarse durante el transporte.

El equipo presenta una altura de 86" (2185 mm). Si no se puede transportar el equipo en posición vertical, debido a las características constructivas del sitio, puede transportárselo acostado.

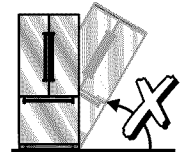
Tener en cuenta la altura mínima necesaria en el sitio de emplazamiento cuando se quiere parar el equipo, siguiendo los datos de la tabla siguiente:

Parar el equipo por la pared posterior



86" / 2185 mm

Parar el equipo por la pared lateral



¡No colocar el aparato nunca en posición vertical por uno de sus laterales!

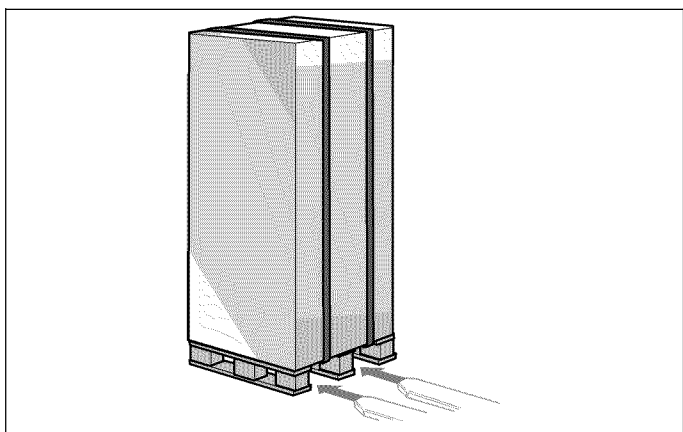
3. Desembalaje

⚠️ ADVERTENCIA ⚠️

- El electrodoméstico puede volcar durante el desembalaje.
 - El electrodoméstico es extremadamente pesado.
 - El electrodoméstico puede volcar hacia delante, cuando abra la puerta del mismo.
- Sea cuidadoso, de otra manera puede lesionarse la gente que le ayuda, o puede dañarse el electrodoméstico.

Para proteger la base de daños durante la instalación:

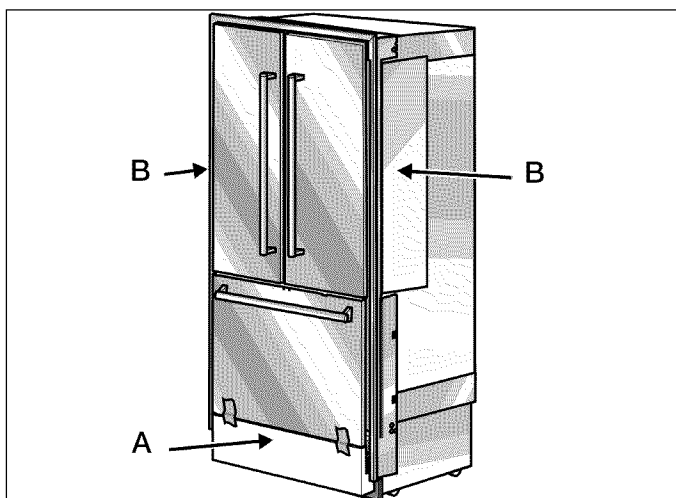
- Sujete un trozo de paño, linóleo, etc. delante del sitio de emplazamiento.



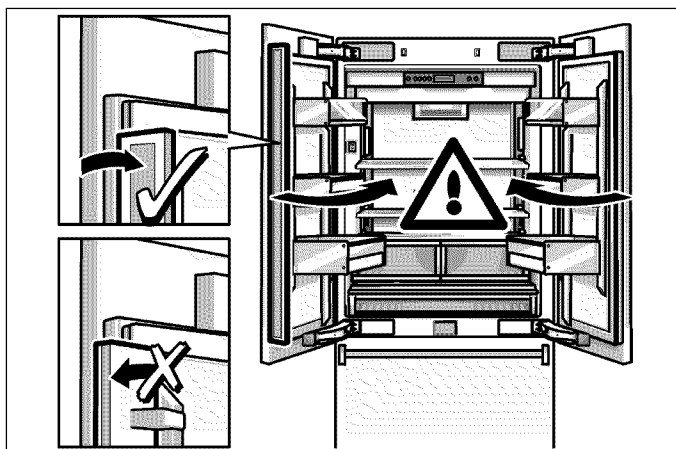
- Mueva el electrodoméstico mediante un carrito de mano.
- Quite el embalaje de transporte:
 - Quite el cartón. Utilice la cuchilla con cuidado para no rayar el electrodoméstico.
 - Sujete el cable de conexión a la red en la parte posterior del electrodoméstico mediante una cinta adhesiva.
 - Afloje el seguro de transporte y quite el electrodoméstico de la paleta – ¡El electrodoméstico es pesado!
 - Quite los accesorios sujetos en la parte exterior del electrodoméstico.
 - Conserve las cintas adhesivas con las cuales estaban sujetos los accesorios en el electrodoméstico que forman parte del volumen de entrega. Sirven para la posterior sujeción de la protección para los bordes en las paredes de la cavidad (ver la sección 8.).
 - Abra cuidadosamente el electrodoméstico – peligro de vuelco – extrayendo los accesorios y el material para el montaje que se encuentran en el interior. ¡Vuelva a cerrar el electrodoméstico!

⚠️ ATENCIÓN ⚠️

No quite el seguro de transporte (A) de la parte inferior del cajón que se encuentra en el gabinete de congelación. No dañe la protección para los dedos (B) durante los pasos a efectuar a continuación. No quite los dispositivos de protección para el transporte de los estantes y las gavetas, antes de concluir con la instalación. De lo contrario pueden dañarse.



- Controle si el electrodoméstico presenta daños de transporte. No instale el electrodoméstico si presenta daños visibles. En caso de dudas, consulte con su vendedor.



⚠️ ATENCIÓN ⚠️

¡Prestar atención al cerrar la puerta!

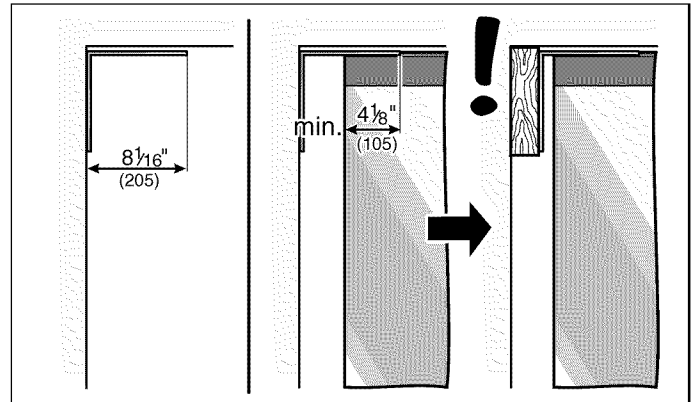
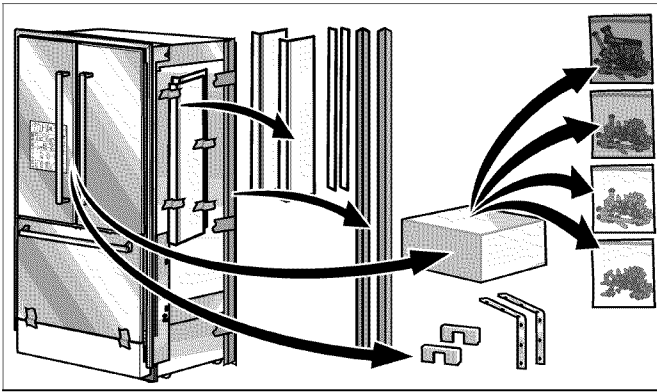
Al cerrar la puerta, el larguero montado en la puerta izquierda tiene que estar abatido, de lo contrario se pueden producir daños en el aparato o en el panel frontal del mueble.

4. Preparativos para el montaje

Desembalar el material de montaje y los accesorios.

Con objeto de facilitar su identificación y posterior asignación a los diferentes pasos de trabajo, los embalajes tienen distintos colores.

¡Prestar atención a este efecto a la hoja orientativa sujeta el aparato!



¡La longitud de la madera debe estar de acuerdo con el ancho del espacio disponible para la instalación!

- Determine los puntos de sujeción para los ángulos antivuelco. Determine las medidas en detalle, consultando la sección «Medidas de instalación».
- Sujete completamente los ángulos antivuelco. Asegúrese que los tornillos estén firmes.

5. Preparación de la cavidad de instalación



ADVERTENCIA



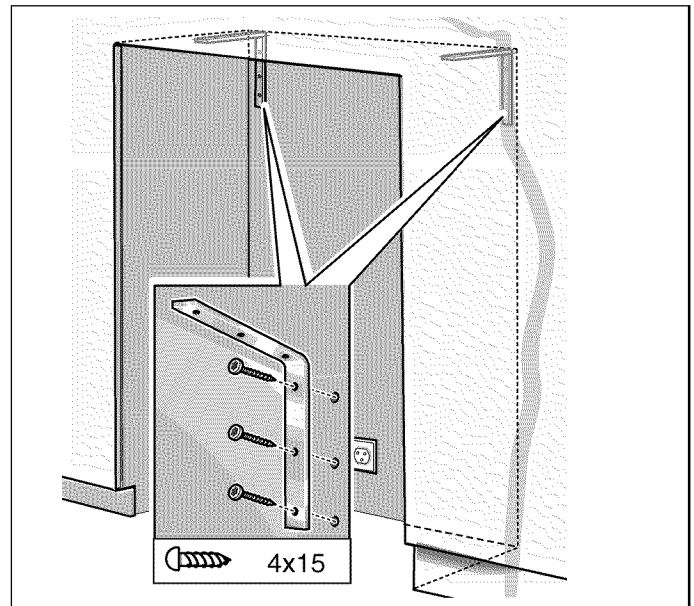
Asegure que no existan cables eléctricos o tuberías en la zonas donde deben penetrar los tornillos. ¡Existe peligro de lesiones y daños!

IMPORTANTE

- Se requiere de dos ángulos antivuelco para cada electrodoméstico.
- El juego suministrado comprende diversos tronillos para diferentes instalaciones. Seleccione los tornillos de acuerdo a las condiciones.

Los ángulos antivuelco deben presentar una longitud mínima sobre el electrodoméstico de $4\frac{1}{8}"$ (105 mm) a fin de asegurar un emplazamiento seguro del equipo.

Si no se puede dar cumplimiento a esta longitud mínima debido a condiciones estructurales, puede lograrse ésto, sujetando un espaciador detrás del ángulo antivuelco, es decir un trozo de madera de dimensiones suficientes.



Sujeción mediante tarugos y tornillos



ATENCIÓN

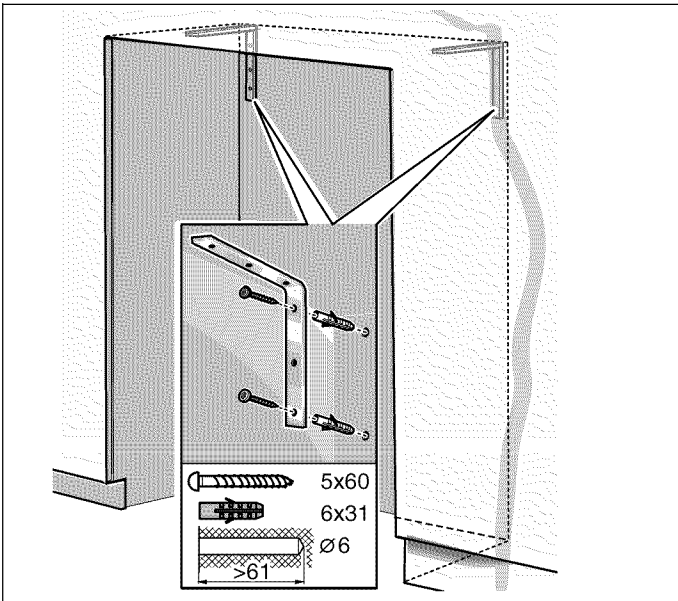


Utilice siempre gafas y otros dispositivos de protección cuando instala o trabaja con tarugos. ¡Peligro de lesiones!

No recomendado para ser usado en material de mampostería liviana como bloques y ladrillos.

No recomendado para ser usado en cemento fresco que no ha tenido tiempo de fraguar.

No utilice brocas huecas para practicar perforaciones para los tarugos.



6. Montaje de un dispositivo antivuelco adicional

IMPORTANTE

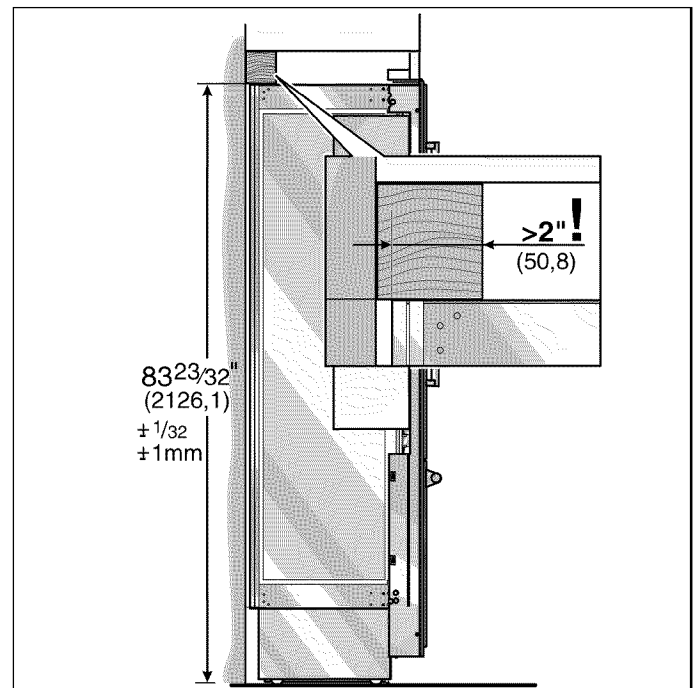
Si no se pueden montar los soportes antivuelco con la firmeza requerida, puede montarse un dispositivo antivuelco alternativo. Sin embargo, debe asegurarse, de que no exista juego entre el electrodoméstico y el dispositivo antivuelco.

Si es posible, atornille las viguetas de madera sobre monturas ya existentes en la pared de la cavidad.

- Corte la vigueta de madera (sección transversal min. 3" x 4") a la longitud requerida. ¡La longitud debe ser igual a la anchura de la cavidad de instalación!

NOTA

- Si la cavidad de instalación es más profunda que el electrodoméstico, seleccione una vigueta que presente una sección transversal mayor, o monte dos viguetas.
- La vigueta debe exceder el electrodoméstico en un mínimo de 2" (50,8 mm).



- Marque la altura de instalación (esquina inferior de la madera) sobre el panel posterior de la cavidad.

- Seleccione los tornillos de acuerdo al espesor de la vigueta de madera: longitud = mín. 2,5 x el espesor de la vigueta, diámetro # 12 o # 14.

Especifique la cantidad de tornillos, de acuerdo al ancho de la cavidad, asegurando que la vigueta quede montada firmemente.

- Ubique la pared vertical cerca de la pared posterior de la cavidad y marque las perforaciones en la vigueta.
- Perfore previamente la vigueta de madera.
- Sujete la vigueta de madera en la pared posterior de la cavidad.

7. Preparación para conectar el agua

(solamente si el electrodoméstico requiere de una conexión de agua)



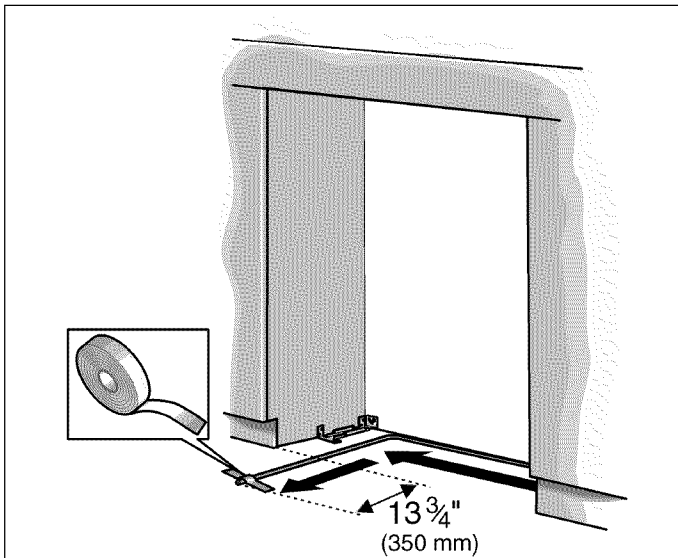
ATENCIÓN



Cierre la llave principal de agua, a fin de evitar daños debidos a la pérdida de agua.

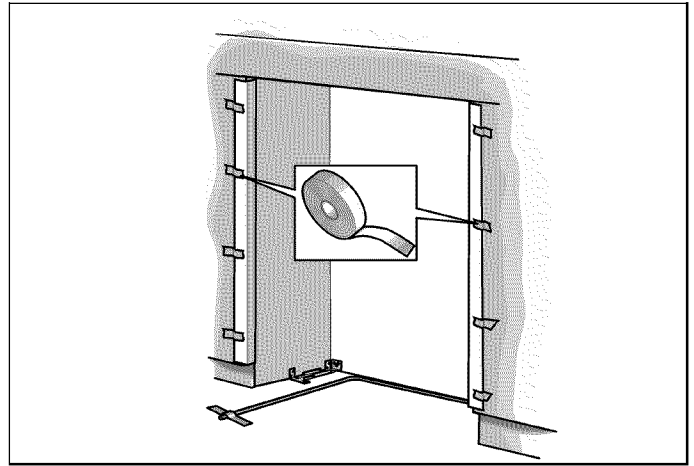
- Monte la tubería de conexión a la válvula de cierre, según las instrucciones suministradas por el fabricante de la instalación generadora de hielo.
- Instale la tubería de conexión.

Observe siempre las medidas de separación indicadas, a fin de evitar daños en la tubería de conexión, cuando coloca el electrodoméstico en su sitio.



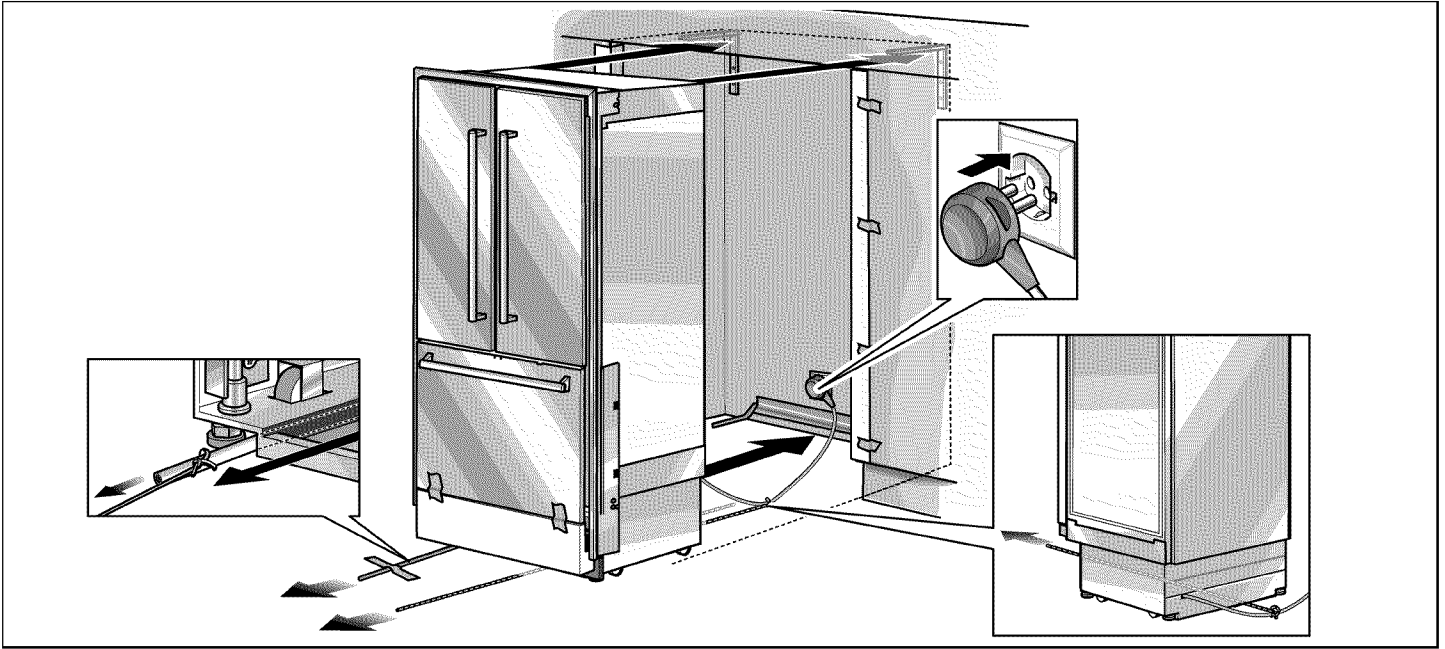
- Sujete la tubería de conexión al suelo con cinta adhesiva.

8. Protección de los bordes



- Para proteger la hornacina, sujete los ángulos de protección con cinta adhesiva en las esquinas.

9. Colocando el electrodoméstico en la cavidad de instalación



ATENCIÓN



¡Tenga cuidado al empujar el electrodoméstico al interior de la cavidad!

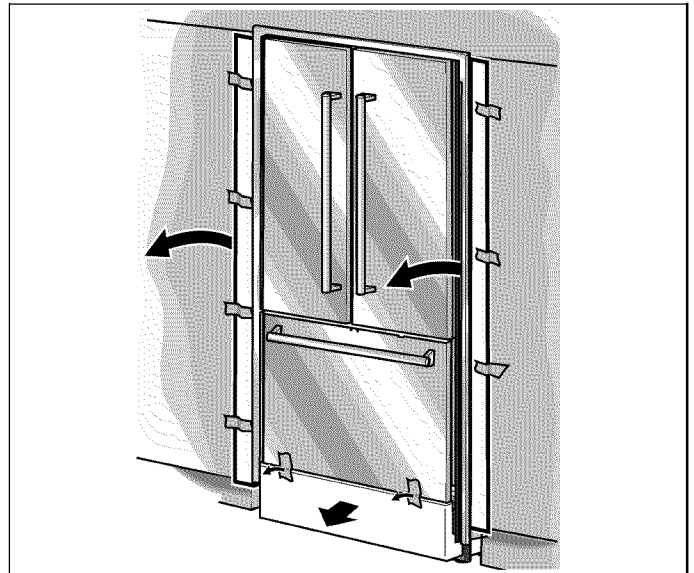
- No dañe la tubería de agua o el cable de alimentación sujetos al suelo.
- Controle la protección para los dedos de ambos lados, mientras coloca el electrodoméstico en la cavidad. Controle su función inmediatamente después de la colocación, abriendo y cerrando las puertas.

IMPORTANTE

Si el piso o el electrodoméstico es inclinado respecto de la cavidad de instalación, ajuste las ruedas ajustables en altura, antes de introducir el electrodoméstico en la cavidad.

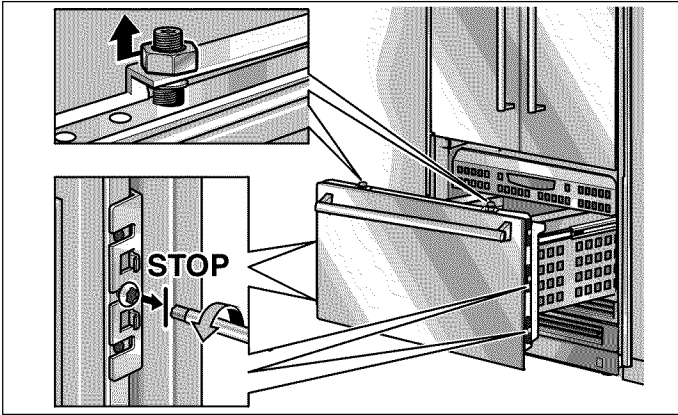
- Conecte el enchufe en el tomacorriente.
- Cuide de no dañar el cable de alimentación.
Sujete un pedazo de hilo en el medio del cable, llevándolo hacia delante debajo del electrodoméstico. Cuando introduzca el electrodoméstico, tire el cable hacia delante.
o bien
Pegue el cable mediante cinta adhesiva en el suelo detrás del electrodoméstico a una distancia aprox. de 15" (380 mm) de la pared posterior de la cavidad.

- Introducir el aparato cuidadosamente en la cavidad de montaje. ¡Prestar atención a no ladearlo! Desplazarlo en la cavidad de montaje hasta que el bastidor esté en contacto con las paredes de la cavidad.

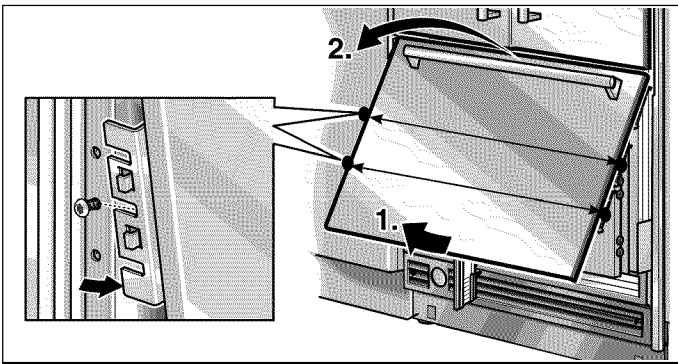


- Quitar la protección para los bordes.
- Quite el seguro de transporte de la parte inferior de la gaveta del compartimento de congelación.
- Controle la función de la protección para los dedos. Abra y cierre ambas puertas. La protección para los dedos debe deslizarse con facilidad hacia el interior de la ranura comprendida entre el electrodoméstico y la pared de la cavidad.

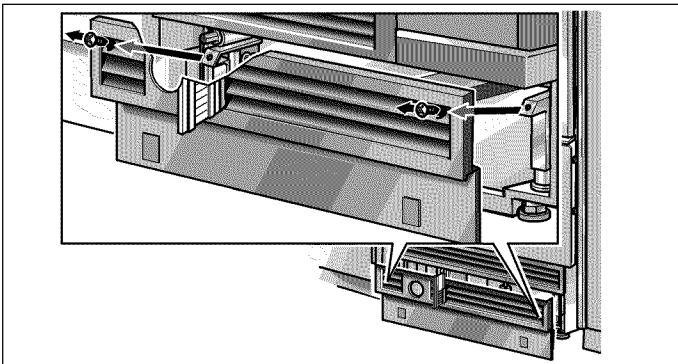
10. Desmontaje del frente de acero inoxidable de la gaveta del compartimiento de congelación



- Afloje las tuercas en la parte superior de la puerta y desenrosquelas. Evite durante este proceso, girar los pernos roscados, a fin de mantener la orientación de la puerta.
- Afloje los tornillos de los ángulos de sujeción a la derecha y a la izquierda. ¡No desenrosque totalmente los tornillos!



- Retire el frente de acero inoxidable en su parte inferior tirando de él, a fin de separar los tornillos de los ángulos de sujeción. Quite ahora la puerta de los pernos roscados, levantándola.
- Los ángulos de sujeción se encuentran calados sin fijarlos dentro de las pieza de unión, a fin de evitar que se pierdan.



- Desmonte el revestimiento del zócalo del electrodoméstico.

11. Alineación del electrodoméstico



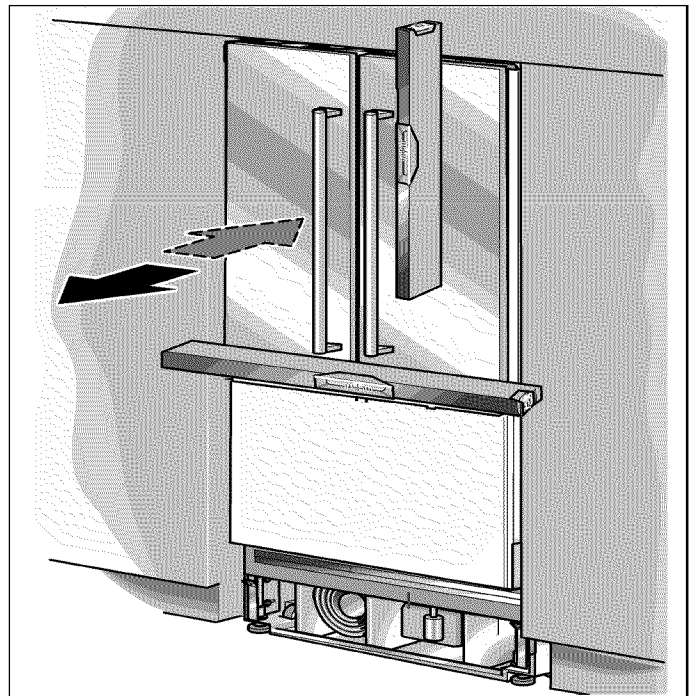
ATENCIÓN



¡Nunca utilizar un destornillador a batería!

IMPORTANTE

- ¡No gire o presione el electrodoméstico dentro de la cavidad! Cuando desenrosque las patas de altura ajustable, proceda de modo gradual: alterne siempre entre la derecha y la izquierda, repitiendo el proceso alternativamente.
- El ajuste de las patas posteriores se facilita si se descarga la parte posterior del equipo.
- Si utiliza una viga de madera como dispositivo antivuelco alternativo, según se describe en el punto 6. de este manual de instalación, rote el electrodoméstico totalmente hacia la viga de madera.



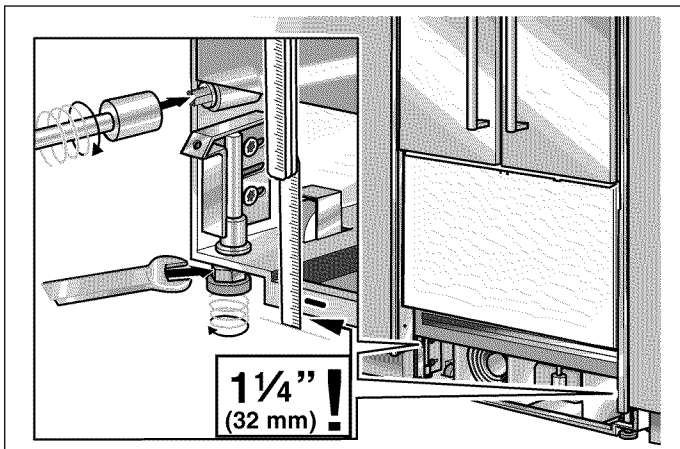
- Alinee el electrodoméstico con los frentes de los muebles.

Las ruedas de altura ajustable tanto del frente como de la parte posterior, pueden ajustarse desde el frente.

Frente: llave de boca de $1/2$ " (SW13)

Fondo: destornillador en cruz $5/16$ " (8 mm) con vástago flexible.

Como medida sugerida para el ajuste de la altura, se ha practicado una marca en la pata del equipo. Durante el ajuste, esta marca debe ajustarse esta marca a una altura de $1 1/4$ " (32 mm) sobre el nivel del suelo.



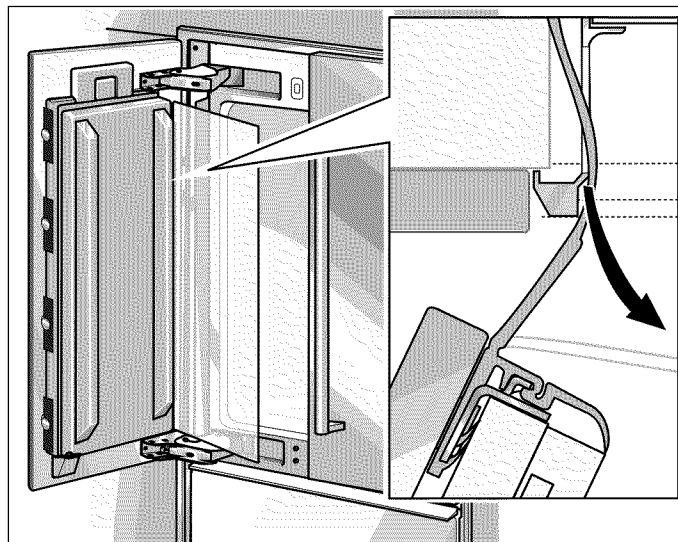
- Desenrosque las patas de altura ajustable hasta que la marca en la base logre la medidas indicadas (1 1/4" / 32 mm).

NOTA

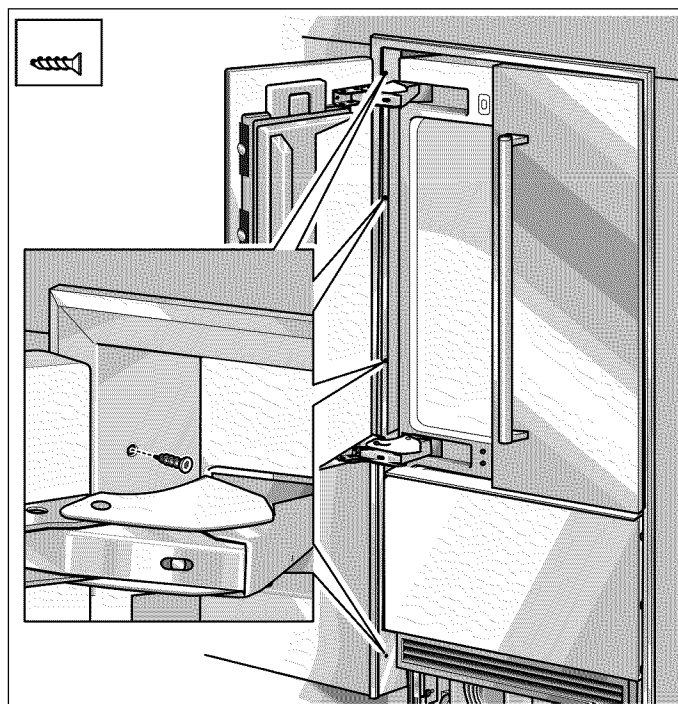
Es sumamente importante cumplir con estas medidas, para lograr una buena alineación de los frentes de los muebles.

- Alinee los frentes de los muebles con el nivel de agua.
- Antes de fijar el aparato definitivamente en la cavidad de montaje, verificar:
 - si el bastidor del aparato está en contacto por arriba y por abajo con el frontal de la cavidad de montaje,
 - el funcionamiento de la protección de los dedos abriendo y cerrando repetidas veces las dos puertas del compartimento frigorífico.

12. Fijar el aparato en la cavidad de montaje



- Abrir una puerta del compartimento frigorífico.
- Retirar la protección de los dedos completamente de la rendija entre el aparato y la pared de la cavidad de montaje.



- Atomillar el bastidor a la pared de la cavidad de montaje a través de la rendija entre la puerta y el cuerpo del aparato (3 tornillos)
- Atomillar el bastidor a la pared de la cavidad de montaje por debajo del cajón de congelación (1 tornillo)
- Abrir la otra puerta del compartimento frigorífico y retirar la protección de los dedos de su emplazamiento. Atomillar el bastidor a la pared de la cavidad (4 tornillos).
- Introducir la protección de los dedos, a través de la escotadura del bastidor, en la rendija entre el aparato y la pared de la cavidad.

13. Conexión del agua al electrodoméstico



ATENCIÓN

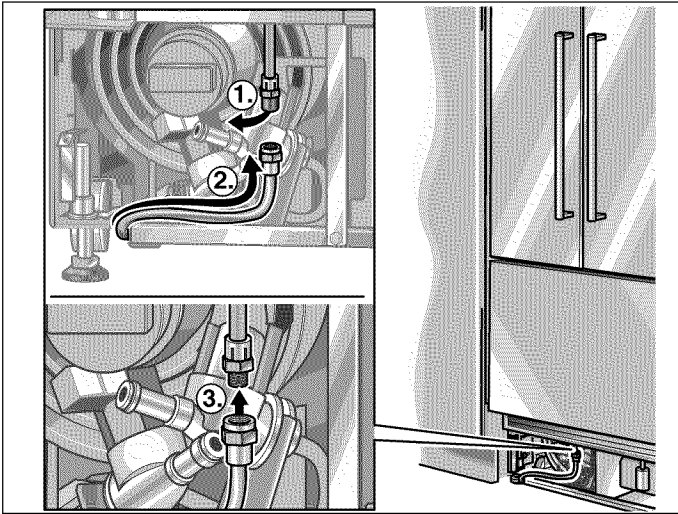


Cuando conecte la tubería de agua, no la retuerza. De lo contrario existe el riesgo que se produzcan pérdidas de agua. Utilice los elementos auxiliares para el doblado.

IMPORTANTE

Cuando conecte la tubería de agua a la válvula solenoide del electrodoméstico, siga las instrucciones provistas por el fabricante conjuntamente con el kit de montaje del generador de hielo que se incluyen en este manual.

- Quite la capa de la conexión del electrodoméstico (1.).
- Doble la tubería de agua de acuerdo con la ubicación de la conexión del electrodoméstico (2.).
- Empuje la tuerca de unión, sellando la unión sobre la tubería de agua.
- Empuje el extremo de la tubería de agua, hasta que penetre en la conexión del electrodoméstico y enrosque la tuerca de unión (3.). Ajuste con la mano.
- Ajuste la tuerca de unión mediante la llave de boca. ¡No fuerce la rosca!



- Abra la válvula de cierre y la llave general. Controle la válvula de cierre y la conexión en el electro-doméstico, para localizar eventuales pérdidas.

14. Sujeción del panel de protección

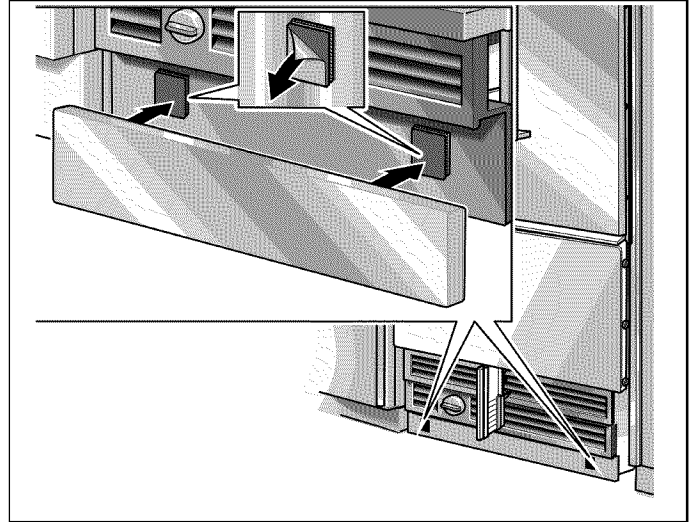


ATENCIÓN

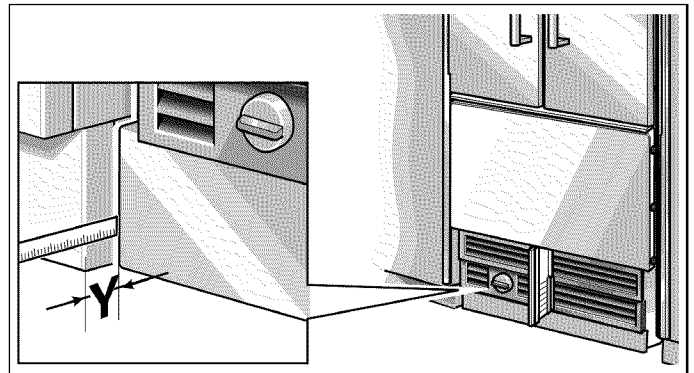


La altura máxima del panel de protección sobre el suelo es de 4". No obture las aberturas de ventilación en el base del panel. Existe riesgo de daños en el electrodoméstico.

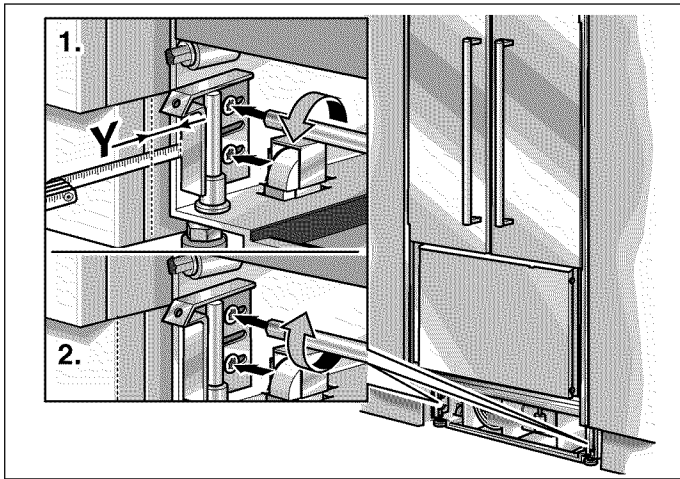
- Si hace falta, corte el panel de protección a la longitud necesaria.
- Monte el panel base en el electrodoméstico.



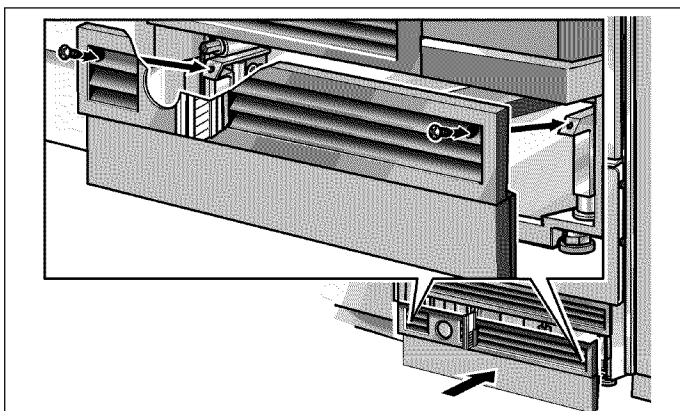
- Quite la lámina de protección de la almohadilla adhesiva del Velcro.
- Coloque el panel de protección en el panel base, presionando firmemente.



- Aplique el panel base (sin atornillar) y mida la diferencia Y entre el panel base y el panel de protección del mueble adyacente.
- Quite el panel base.
- Afloje los soportes de sujeción del panel base y empuje hasta el fondo.



- Extraiga las mordazas en la medida **Y** determinada.
- Atornille las mordazas firmemente.

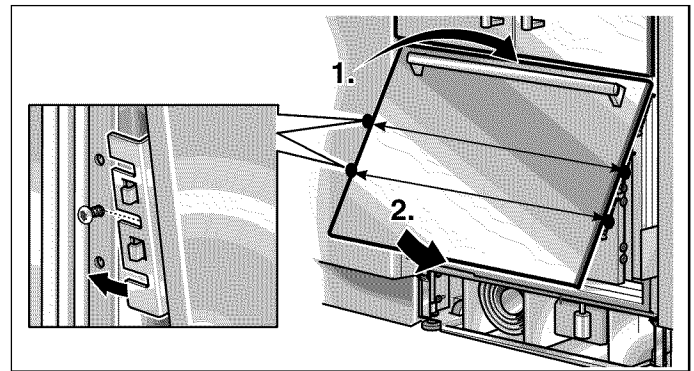


- Monte el panel base.

NOTA

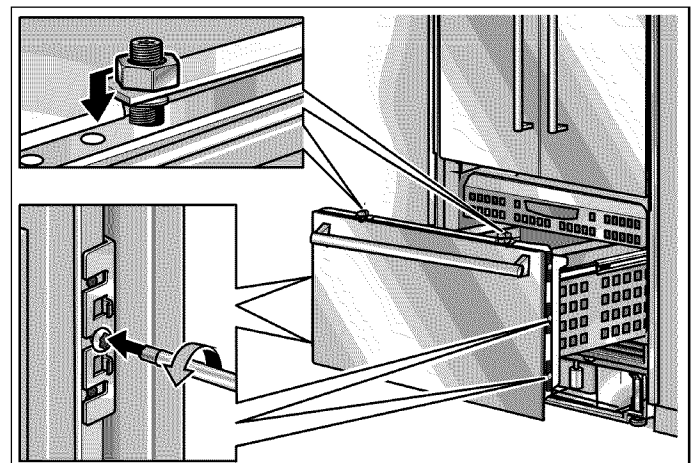
Si hace falta, puede atornillar el panel de protección al panel base. Existen perforaciones para los tornillos en el panel base, cerca de los Velcros.

15. Montaje del frente de acero inoxidable en la gaveta del com-partimiento de congelación



- Cuelgue el frente de acero inoxidable de los pernos roscados.
- Levante la parte inferior del frente de acero inoxidable, seprándolo de la puerta del compartimiento de congelación, deslizando los ángulos de sujeción de arriba hacia abajo sobre los tornillos.
- Controle la altura del frente de acero inoxidable con respecto de los frentes de los muebles vecinos, estando la gaveta cerrada.

Si el ajuste en altura es correcto, ajustar los tornillos de los ángulos de sujeción.



- Enrosque las tuercas sobre los pernos roscados en la parte superior de la puerta. No las ajuste aún.
- Controle la orientación lateral del frente de acero inoxidable. Si esta orientación es correcta, ajuste las tuercas.

16. Puesta en marcha del equipo



ATENCIÓN



Controle el funcionamiento de la protección de los dedos. Verifique en particular

- si la protección de los dedos está correctamente fijada al aparato y
- si la protección de los dedos se desliza con facilidad hacia adelante y atrás al abrir y cerrar las puertas del compartimento frigorífico.

A fin de garantizar la exactitud de los pasos a realizar a continuación ya que tendrán influencia en la imagen de apariencia de todo el frente de la cocina, ahora debe ponerse en marcha el equipo.

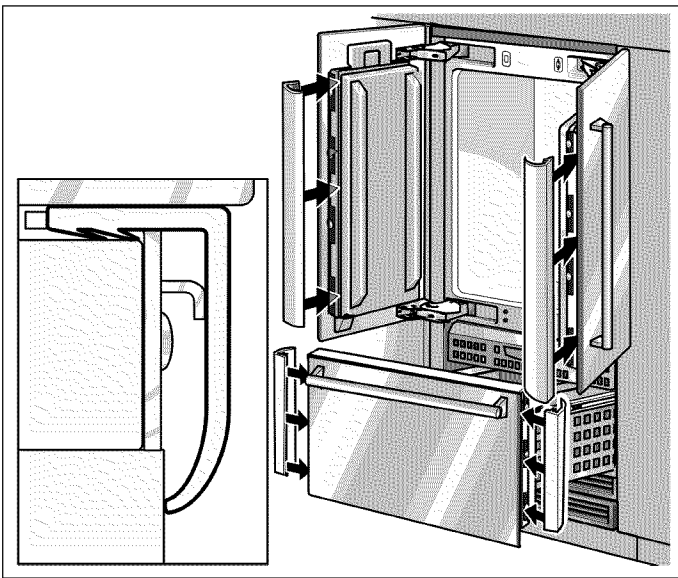
- Abra la puerta del electrodoméstico.
- Accione el pulsador POWER.

Únicamente para equipos que disponen de una conexión de agua:

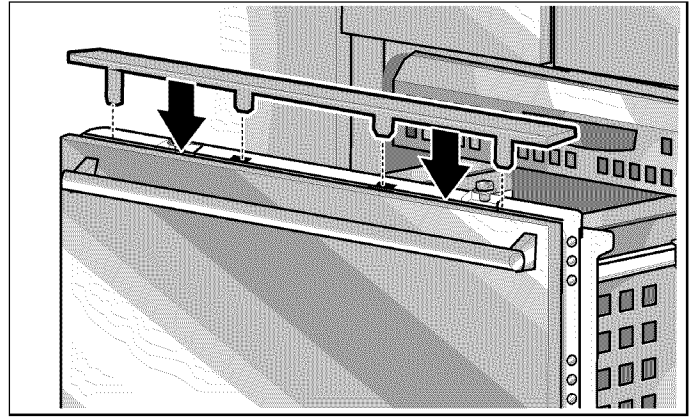
NOTA

A fin de evitar eventuales daños debidos al agua que pueda surgir en caso de una avería de la tubería correspondiente, debe dejarse todavía cerrado el grifo del agua.

17. Montaje de las cubiertas



- Encajar los listones de cobertura, por el lado de los tiradores de las puertas, en la rendija entre el frontal de acero inoxidable y la puerta del aparato.
- Encajar los listones de cobertura del cajón de congelación en la rendija entre el frontal de acero inoxidable y el cajón.



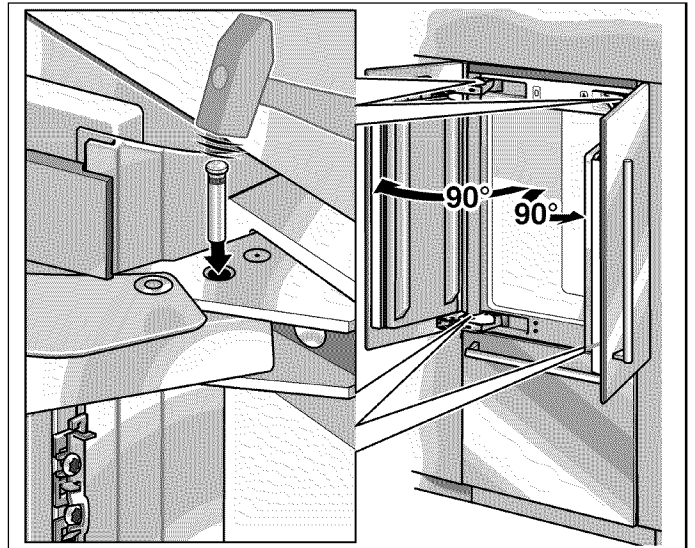
- Coloque la placa de cobertura en la puerta del compartimento congelador.

18. Ajuste del ángulo de apertura de la puerta

Dependiendo de las condiciones de instalación, puede ser necesario ajustar el ángulo de apertura de la puerta. En fábrica se ha ajustado un ángulo de apertura de 115°.

A fin de ajustar el ángulo de apertura a 90°:

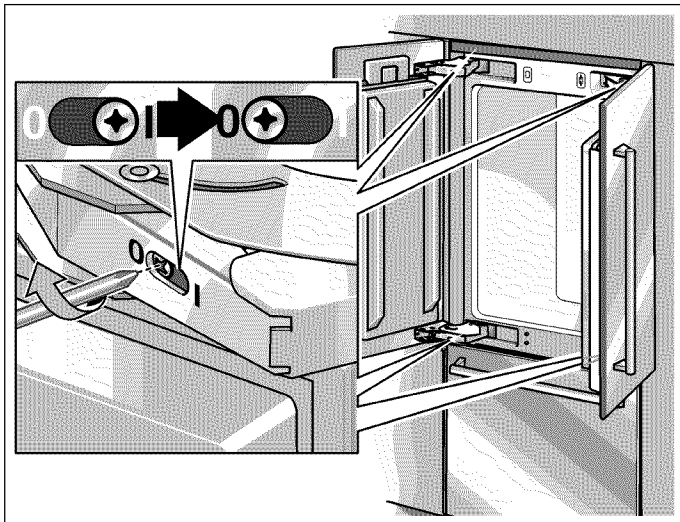
- Abrir la puerta a 90°.



- Introducir el perno jimitador a través de las dos perforaciones ahora enfrentadas, golpeando con un martillo.

19. Cambio del muelle de la puerta

A fin de ajustar el muelle de la puerta.



- Girar del tornillo de ajuste mediante un destornillador para ranura en cruz.

I = aumenta la tensión del muelle

0 = disminuye la tensión del muelle

©Thermador is a Registered Trademark of BSH Home Appliances Corporation

©Thermador es una marca registrada de BSH Home Appliances Corporation

©Thermador est une marque de commerce déposée de BSH Home Appliances Corporation.

Thermador® reserves the right to make changes in models, features, and specifications without prior notice.

All rights reserved. Thermador® se reserva el derecho de hacer cambios en los modelos, características y especificaciones sin previo aviso. 9000 498 118 (8909)

Todos los derechos reservados. Thermador® se réserve le droit d'apporter des changements aux modèles, aux caractéristiques et aux spécifications sans préavis. en-us, fr-ca, es-mex

