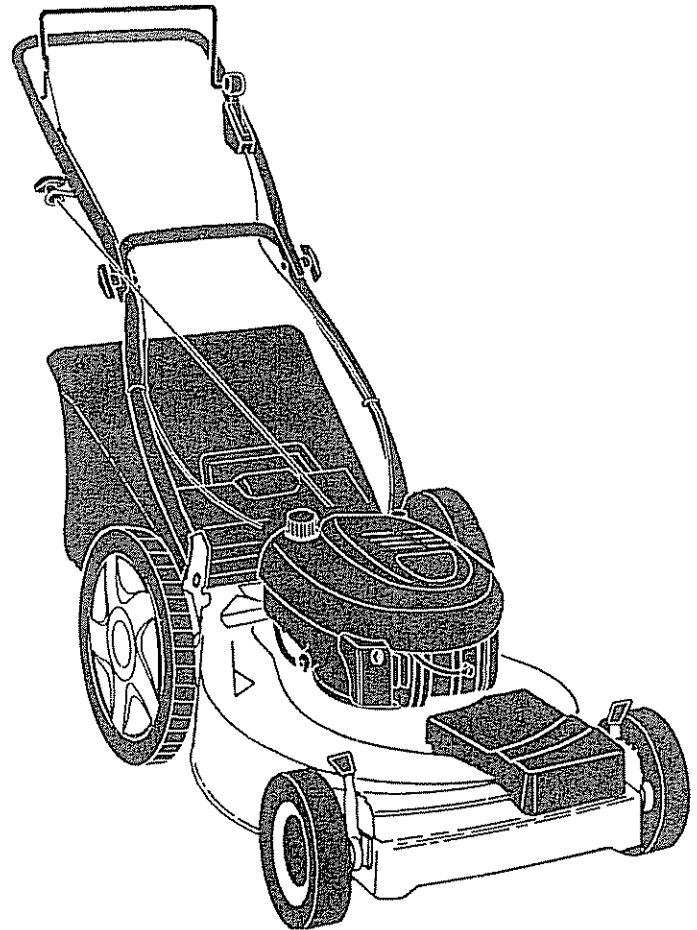


# Owner's Manual

## **CRAFTSMAN<sup>®</sup>** **6.75 HORSEPOWER** **22" REAR DISCHARGE** **POWER PROPELLED** **ROTARY LAWN MOWER**

Model No.  
917.377592

- Safety
- Assembly
- Operation
- Maintenance
- Español
- Repair Parts



### **CAUTION:**

Read and follow all  
Safety Rules and Instructions  
before operating this equipment

Sears, Roebuck and Co., Hoffman Estates, IL 60179

## TABLE OF CONTENTS

Warranty	2	Product Specifications	11
Safety Rules	2	Service and Adjustments	14
Assembly	4	Storage	15
Operation	6	Troubleshooting	16
Maintenance Schedule	10	Repair Parts	35
Maintenance	10	Parts Ordering	Back Cover

## WARRANTY

### LIMITED TWO YEAR WARRANTY ON CRAFTSMAN POWER MOWER

For two years from date of purchase, when this Craftsman Lawn Mower is maintained, lubricated, and tuned up according to the operating and maintenance instructions in the owner's manual, Sears will repair free of charge any defect in material or workmanship. If this Craftsman Lawn Mower is used for commercial or rental purposes, this warranty applies for only 90 days from the date of purchase.

This Warranty does not cover:

- Expendable items which become worn during normal use, such as rotary mower blades, blade adapters, belts, air cleaners and spark plug.
- Repairs necessary because of operator abuse or negligence, including bent crankshafts and the failure to maintain the equipment according to the instructions contained in the owner's manual.

Warranty service is available by returning the Craftsman power mower to the nearest Sears Service Center/Department in the United States. This warranty applies only while this product is in use in the United States.

This Warranty gives you specific legal rights, and you may also have other rights which vary from state to state.

SEARS, ROEBUCK AND CO., D/817 WA, HOFFMAN ESTATES, ILLINOIS 60179

## SAFETY RULES

Safety standards require operator presence controls to minimize the risk of injury. Your unit is equipped with such controls. Do not attempt to defeat the function of the operator presence controls under any circumstances.

### TRAINING:

- Read this operator's manual carefully. Become familiar with the controls and know how to operate your mower properly. Learn how to quickly stop mower.
- Do not allow children to use your mower. Never allow adults to use mower without proper instructions.
- Keep the area of operation clear of all persons, especially small children and pets.
- Use mower only as the manufacturer intended and as described in this manual.

- Do not operate mower if it has been dropped or damaged in any manner. Always have damage repaired before using your mower.
- Do not use accessory attachments that are not recommended by the manufacturer. Use of such attachments may be hazardous.
- The blade turns when the engine is running.

### PREPARATION:

- Always thoroughly check the area to be mowed and clear it of all stones, sticks, wires, bones, and other foreign objects. These objects will be thrown by the blade and can cause severe injury.
- Always wear safety glasses or eye shields when starting and while using your mower.

- Dress properly. Do not operate mower when barefoot or wearing open sandals. Wear only solid shoes with good traction when mowing.
- Check fuel tank before starting engine. Do not fill gas tank indoors, when the engine is running or when the engine is hot. Allow the engine to cool for several minutes before filling the gas tank. Clean off any spilled gasoline before starting the engine.
- Always make wheel height adjustments before starting your mower. Never attempt to do this while the engine is running.
- Mow only in daylight or good artificial light.

#### **OPERATION:**

- Keep your eyes and mind on your mower and the area being cut. Do not let other interests distract you.
- Do not mow wet or slippery grass. Never run while operating your mower. Always be sure of your footing — keep a firm hold on the handles and walk.
- Do not put hands or feet near or under rotating parts. Keep clear of the discharge opening at all times.
- Always stop the engine whenever you leave or are not using your mower, or before crossing driveways, walks, roads, and any gravel—covered areas.
- Never direct discharge of material toward bystanders nor allow anyone near the mower while you are operating it.
- Before cleaning, inspecting, or repairing your mower, stop the engine and make absolutely sure the blade and all moving parts have stopped. Then disconnect the spark plug wire and keep it away from the spark plug to prevent accidental starting.
- Do not continue to run your mower if you hit a foreign object. Follow the procedure outlined above, then repair any damage before restarting and operating your mower.
- Do not change the governor settings or overspeed the engine. Engine damage or personal injury may result.
- Do not operate your mower if it vibrates abnormally. Excessive vibration is an indication of damage; stop the engine, safely check for the cause of vibration and repair as required.
- Do not run the engine indoors. Exhaust

fumes are dangerous.

- Never cut grass by pulling the mower towards you. Mow across the face of slopes, never up and down or you might lose your footing. Do not mow excessively steep slopes. Use caution when operating the mower on uneven terrain or when changing directions — maintain good footing.
- Never operate your mower without proper guards, plates, grass catcher or other safety devices in place.

#### **MAINTENANCE AND STORAGE:**

- Check the blade and the engine mounting bolts often to be sure they are tightened properly.
- Check all bolts, nuts and screws at frequent intervals for proper tightness to be sure mower is in safe working condition.
- Keep all safety devices in place and working.
- To reduce fire hazard, keep the engine free of grass, leaves or excessive grease and oil.
- Check grass catcher often for deterioration and wear and replace worn bags. Use only replacement bags that are recommended by and comply with specifications of the manufacturer of your mower.
- Always keep a sharp blade on your mower.
- Allow engine to cool before storing in any enclosure.
- Never store mower with fuel in the tank inside a building where fumes may reach an open flame or an ignition source such as a hot water heater, space heater, clothes dryer, etc.

**CAUTION:** Always disconnect spark plug wire and place wire where it cannot contact spark plug in order to prevent accidental starting when setting up, transporting, adjusting or making repairs.




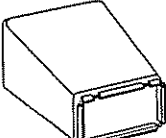


#### **WARNING**

The engine exhaust from this product contains chemicals known to the State of California to cause cancer, birth defects, or other reproductive harm.


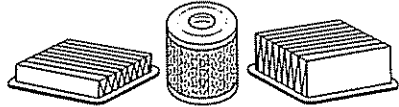


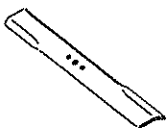
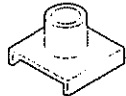

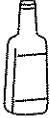
## ACCESSORIES

These accessories were available when this lawn mower was produced. They are also available at most Sears retail outlets and service centers. Most Sears stores can also order repair parts for you, when you provide the model number of your lawn mower. Some of these accessories may not apply to your lawn mower.

### LAWN MOWER PERFORMANCE

 <p>CLIPPING DEFLECTOR FOR REAR DISCHARGE LAWN MOWERS</p>	 <p>MULCHER KITS</p>	 <p>STABILIZER</p>
 <p>GRASS CATCHERS FOR REAR DISCHARGE LAWN MOWERS</p>	 <p>GRASS CATCHERS FOR SIDE DISCHARGE LAWN MOWERS</p>	 <p>GAS CANS</p>

### LAWN MOWER MAINTENANCE

 <p>MUFFLERS</p>	 <p>AIR FILTERS</p>	 <p>SPARK PLUGS</p>
 <p>BELTS</p>	 <p>BLADES</p>	 <p>BLADE ADAPTERS</p>
 <p>WHEELS</p>	 <p>ENGINE OIL</p>	

## ASSEMBLY

Read these instructions and this manual in its entirety before you attempt to assemble or operate your new lawn mower. Your new lawn mower has been assembled at the factory with the exception of those parts left unassembled for shipping purposes. All parts such as nuts, washers, bolts, etc., necessary to complete the assembly have been placed in the parts bag. To ensure safe and proper operation of your lawn mower, all parts and hardware you assemble must be tightened securely. Use the correct tools as necessary to ensure proper tightness.

### TO REMOVE LAWN MOWER FROM CARTON

- Remove loose parts included with mower.
- Cut down two end corners of carton and lay end panel down flat.
- Remove all packing materials except padding between upper and lower handle and padding holding operator presence control bar to upper handle.

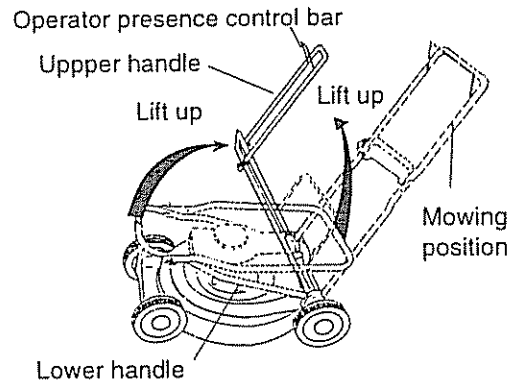
- Roll lawn mower out of carton and check carton thoroughly for additional loose parts.

### HOW TO SET UP YOUR LAWN MOWER

#### TO UNFOLD HANDLE

**IMPORTANT:** Unfold handles carefully so as not to pinch or damage control cables.

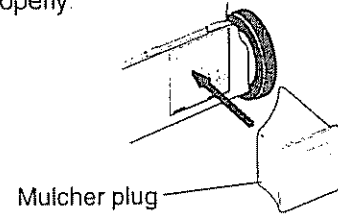
- Raise handles until lower handle section locks into place in mowing position.
- Remove protective padding, raise upper handle section into place on lower handle and tighten both handle knobs.
- Remove handle padding holding operator presence control bar to upper handle.
- Your lawn mower handle can be adjusted for your mowing comfort. Refer to "Adjust Handle" in the Service and Adjustment section of this manual.



## TO INSTALL ATTACHMENTS

Your lawn mower was shipped ready to be used as a mulcher. To convert to bagging or discharging:

- Open rear door and remove mulcher plug. Store mulcher plug in a safe place.
- You can now install catcher or optional clipping deflector.
- To return to mulching operation, install mulcher plug into discharge opening of mower. Be sure all tabs are seated properly.



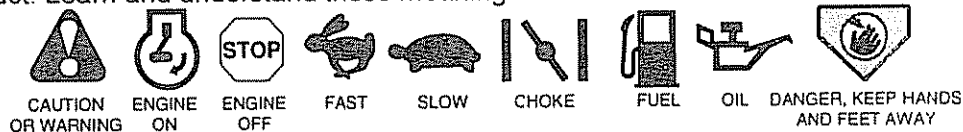
**CAUTION:** Do not run your lawn mower without mulcher plug in place or approved clipping deflector or grass catcher in place. Never attempt to operate the lawn mower with the rear door removed or propped open.

## OPERATION

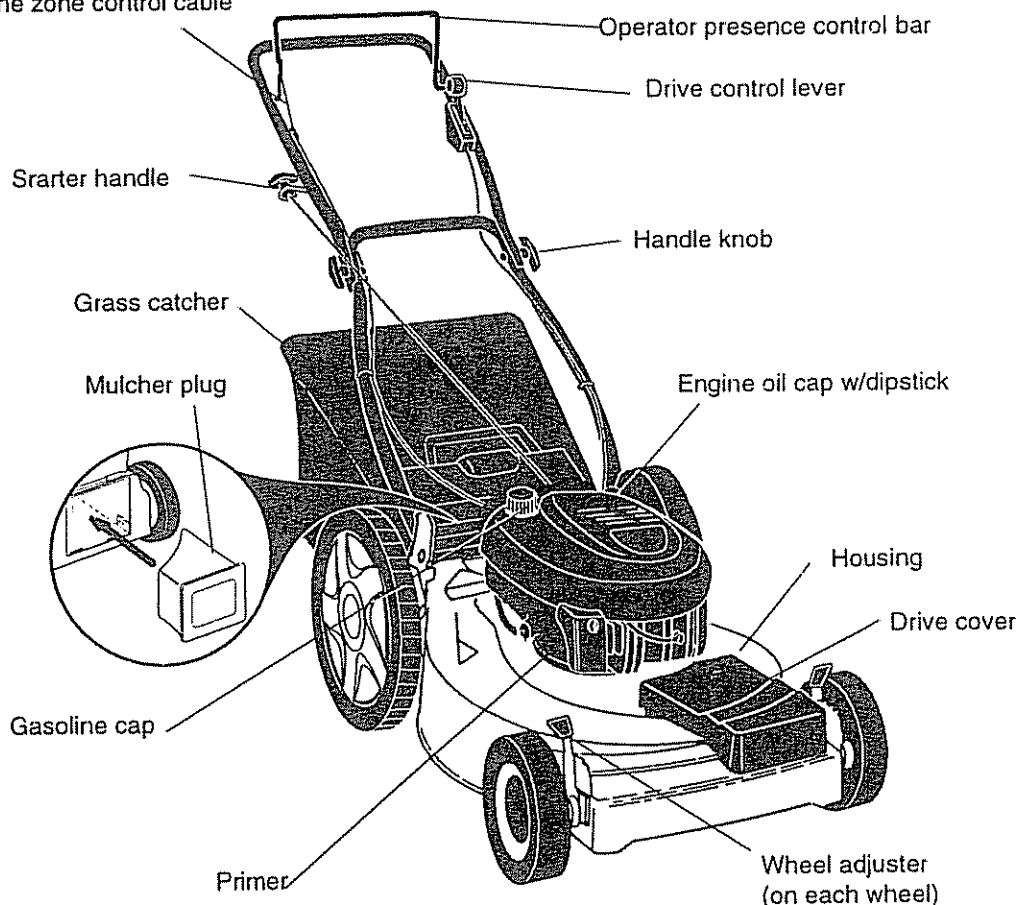
### KNOW YOUR LAWN MOWER

READ THIS OWNER'S MANUAL AND SAFETY RULES BEFORE OPERATING YOUR LAWN MOWER. Compare the illustrations with your lawn mower to familiarize yourself with the location of various controls and adjustments. Save this manual for future reference.

These symbols may appear on your lawn mower or in literature supplied with the product. Learn and understand these meaning



Engine zone control cable



### MEETS CPSC SAFETY REQUIREMENTS

Sears rotary walk-behind power lawn mowers conform to the safety standards of the American National Standards Institute and the U.S. Consumer Product Safety Commission. The blade turns when the engine is running.

**Operator presence control bar** - must be held down to the handle to start the engine. Release to stop the engine.

**Primer** - pumps additional fuel from the carburetor to the cylinder for use when starting a cold engine.

**Starter handle** - used for starting the engine.  
**Drive control lever** - used to engage power-propelled forward motion of lawn mower.

**Mulcher plug** - must be removed to convert to bagging or discharging operation.

The operation of any lawn mower can result in foreign objects thrown into the eyes, which can result in severe eye damage. Always wear safety glasses or eye shields while operating your lawn mower or performing any adjustments or repairs. We recommend a wide vision safety mask over spectacles or standard safety glasses.

### HOW TO USE YOUR LAWN MOWER ENGINE SPEED

The engine speed was set at the factory for optimum performance. Speed is not adjustable.

### ENGINE ZONE CONTROL

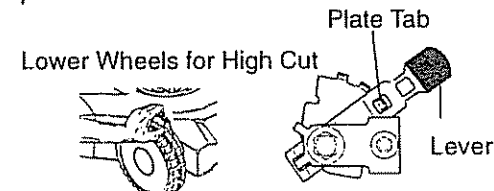
**CAUTION:** Federal regulations require an engine control to be installed on this lawn mower in order to minimize the risk of blade contact injury. Do not under any circumstances attempt to defeat the function of the operator control. The blade turns when the engine is running.

- Your lawn mower is equipped with an operator presence control bar which requires the operator to be positioned behind the lawn mower handle to start and operate the lawn mower.

### TO ADJUST CUTTING HEIGHT

- Raise wheels for low cut and lower wheels for high cut.
- Adjust cutting height to suit your requirements. Medium position is best for most lawns.
- To change cutting height, squeeze adjuster lever toward wheel. Move wheel up or down to suit your requirements. Be sure all wheels are in the same setting.

**NOTE:** Adjuster is properly positioned when plate tab inserts into hole in lever. Also, 9-position adjusters (if so equipped) allow lever to be positioned between the plate tabs.

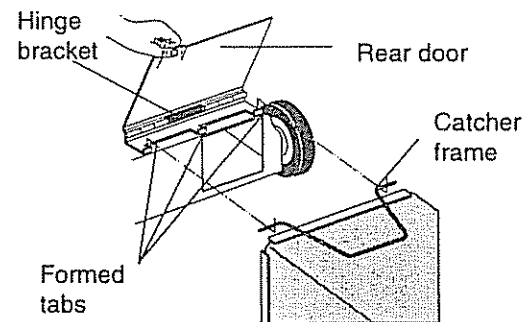


Raise Wheels for Low Cut

### TO ATTACH GRASS CATCHER

- Close the flip lid. Flip lid must be closed while operating lawn mower.
- Lift the rear door on the mower housing and place the grass catcher frame onto the formed tabs on the rear door hinge bracket
- The grass catcher is secured to the lawn mower housing when the rear door is lowered onto the grass catcher frame.

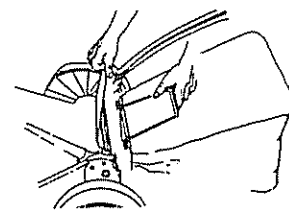
**CAUTION:** Do not run your lawn mower without clipping deflector or approved grass catcher in place. Never attempt to operate the lawn mower with the rear door removed or propped open.



### TO EMPTY GRASS CATCHER

- To remove grass catcher, release operator presence control bar to stop engine.
- Lift up rear door and remove the grass catcher by the handle.

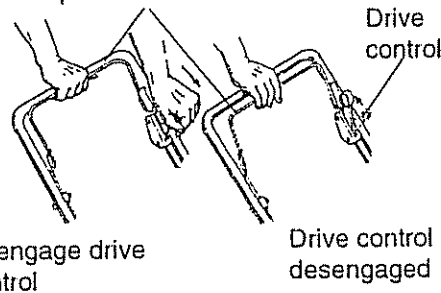
**NOTE:** Do not drag the bag when emptying; it will cause unnecessary wear.



## DRIVE CONTROL

- Self-propelling is controlled by holding the operator presence control bar down to the handle and pushing the drive control lever forward until it clicks; then release the lever.
- Forward motion will stop when the operator presence control bar is released. To stop forward motion without stopping engine, release the operator presence control bar slightly until the drive control disengages. Hold operator presence control bar down to handle to continue mowing without self-propelling.
- To keep drive control engaged when turning corners, push down on handle and lift front wheels off ground while turning lawn mower.

Operator presence control bar



## BEFORE STARTING ENGINE

### OIL

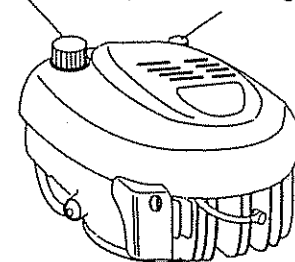
Your lawn mower is shipped without oil in the engine.

- Be sure mower is level and area around oil fill is clean.
- Remove engine oil cap and fill to the full line on the dipstick.
- Use 27 ozs. of oil. For type and grade of oil to use, see "ENGINE" in Maintenance section of this manual.
- Pour oil slowly. Do not over fill.
- Check oil level before each use. Add oil if needed. Fill to full line on dipstick.
- To read proper level, tighten engine oil cap each time.
- Reinstall engine oil cap and tighten.
- Change the oil after every 25 hours of operation or each season. You may need to change the oil more often under dusty, dirty conditions.

## GAS

- Fill fuel tank. Use fresh, clean, regular unleaded gasoline with a minimum of 87 octane. Do not mix oil with gasoline. Purchase fuel in quantities that can be used within 30 days to assure fuel freshness.
- WARNING:** Experience indicates that alcohol blended fuels (called gasohol or using ethanol or methanol) can attract moisture which leads to separation and formation of acids during storage. Acidic gas can damage the fuel system of an engine while in storage. To avoid engine problems, the fuel system should be emptied before storage of 30 days or longer. Drain the gas tank, start the engine and let it run until the fuel lines and carburetor are empty. Use fresh fuel next season. See Storage Instructions for additional information. Never use engine or carburetor cleaner products in the fuel tank or permanent damage may occur.

Gasoline filler cap Engine oil cap



## TO START ENGINE

- To start a cold engine, push primer three (3) times before trying to start. Use a firm push. This step is not usually necessary when starting an engine which has already run for a few minutes.
- Hold operator presence control bar down to the handle and pull starter handle quickly. Do not allow starter rope to snap back.
- To stop engine, release operator presence control bar.

**NOTE:** In cooler weather it may be necessary to repeat priming steps. In warmer weather over priming may cause flooding and engine will not start. If you do flood engine, wait a few minutes before attempting to start and do not repeat priming steps.

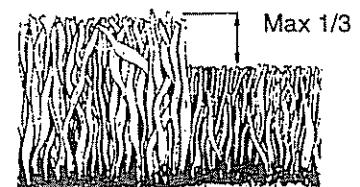
## MOWING TIPS

- Under certain conditions, such as very tall grass, it may be necessary to raise the height of cut to reduce pushing effort and to keep from overloading the engine and leaving clumps of grass clippings. It may also be necessary to reduce ground speed and/or run the lawn mower over the area a second time.
- For extremely heavy cutting, reduce the width of cut by overlapping previously cut path and mow slowly.
- For better grass bagging and most cutting conditions, the engine speed should be set in the fast position.
- When using a rear discharge lawn mower in moist, heavy grass, clumps of cut grass may not enter the grass catcher. Reduce ground speed (pushing speed) and/or run the lawn mower over the area a second time.
- If a trail of clippings is left on the right side of a rear discharge mower, mow in a clockwise direction with a small overlap to collect the clippings on the next pass.
- Pores in cloth grass catchers can become filled with dirt and dust with use and catchers will collect less grass. To prevent this, regularly hose catcher off with water and let dry before using.
- Keep top of engine around starter clear and clean of grass clippings and chaff. This will help engine air flow and extend engine life.

## MULCHING MOWING TIPS

**IMPORTANT:** For best performance, keep mower housing free of built-up grass and trash. See "Cleaning" in Maintenance section of this manual.

- The special mulching blade will recut the grass clippings many times and reduce them in size so that as they fall onto the lawn they will disperse into the grass and not be noticed. Also, the mulched grass will biodegrade quickly to provide nutrients for the lawn. Always mulch with your highest engine (blade) speed as this will provide the best recutting action of the blades.
- Avoid cutting your lawn when it is wet. Wet grass tends to form clumps and interferes with the mulching action. The best time to mow your lawn is the early afternoon. At this time the grass has dried and the newly cut area will not be exposed to the direct sun.
- For best results, adjust the lawn mower cutting height so that the lawn mower cuts off only the top one-third of the grass blades. If the lawn is overgrown it will be necessary to raise the height of cut to reduce pushing effort and to keep from overloading the engine and leaving clumps of mulched grass. For extremely heavy mulching, reduce your width of cut by overlapping previously cut path and mow slowly.
- Certain types of grass and grass conditions may require that an area be mulched a second time to completely hide the clippings. When doing a second cut, mow across or perpendicular to the first cut path.
- Change your cutting pattern from week to week. Mow north to south one week then change to east to west the next week. This will help prevent matting and graining of the lawn.



# MAINTENANCE

MAINTENANCE SCHEDULE		SERVICE DATES				
FILL IN DATES AS YOU COMPLETE REGULAR SERVICE		BEFORE EACH USE	AFTER EACH USE	EVERY 10 HOURS	EVERY 25 HOURS OR EVERY SEASON	BEFORE STORAGE
<b>M O W E R</b>	Check for Loose Fasteners	✓				✓
	Clean/Inspect Grass Catcher (If Equipped)	✓	✓			✓
	Clean Lawn Mower		✓			✓
	Clean Under Drive Cover (Power-Propelled Mowers)			✓		
	Check drive belt/pulleys (Power-Propelled Mowers)				✓	
	Check/Sharpen/Replace Blade				✓ <sub>3</sub>	
	Lubrication Chart				✓	✓
	Clean Battery/Recharge (Electric Start Mowers)				✓	✓ <sub>4</sub>
<b>E N G I N E</b>	Check Engine Oil Level	✓				
	Change Engine Oil				✓ <sub>1,2</sub>	
	Clean Air Filter				✓ <sub>2</sub>	
	Inspect Muffler				✓	
	Clean or Replace Spark Plug				✓	
	Replace Air Filter Paper Cartridge				✓ <sub>2</sub>	

- 1 - Change more often when operating under a heavy load or in high ambient temperatures.
- 2 - Service more often when operating in dirty or dusty conditions.
- 3 - Replace blades more often when mowing in sandy soil.
- 4 - Charge 48 hours at end of season

## GENERAL RECOMMENDATIONS

The warranty on this lawn mower does not cover items that have been subjected to operator abuse or negligence. To receive full value from the warranty, operator must maintain mower as instructed in this manual.

Some adjustments will need to be made periodically to properly maintain your unit. All adjustments in the Service and Adjustments section of this manual should be checked at least once each season.

- Once a year, replace the spark plug, replace air filter element and check blade for wear. A new spark plug and clean/new air filter element assures proper air-fuel mixture and helps your engine run better and last longer.
- Follow the maintenance schedule in this manual.

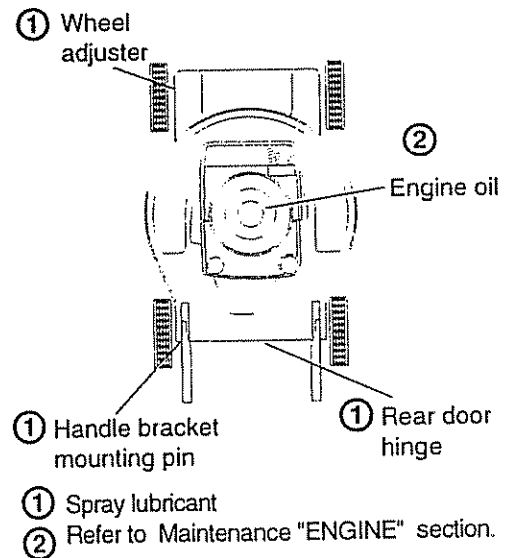
### BEFORE EACH USE

- Check engine oil level.
- Check for loose fasteners.

### LUBRICATION

Keep unit well lubricated (See "LUBRICATION CHART").

## LUBRICATION CHART



**IMPORTANT:** Do not oil or grease plastic wheel bearings. Viscous lubricants will attract dust and dirt that will shorten the life of the self lubricating bearings. If you feel they must be lubricated, use only a dry, powdered graphite type lubricant sparingly.



## PRODUCT SPECIFICATIONS

MODEL NUMBER	917.377592
SERIAL NUMBER	
DATE OF PURCHASE	
HORSEPOWER:	6.75
DISPLACEMENT:	12.560 CU. IN.
GASOLINE CAPACITY/ TYPE:	1.5 QUARTS UNLEADED REGULAR
OIL TYPE (API-SF/SG/SH):	SAE 30 (ABOVE 32°F) SAE 5W-30 (BELOW 32°F)
OIL CAPACITY:	27 OZS.
SPARK PLUG(GAP: .030")	CHAMPION RJ19LM OR J19LM
VALVE CLEARANCE:	INTAKE: .004" - .008" EXHAUST: .004" - .008"
SOLID STATE IGNITION	
AIR GAP:	.0125 IN.
BLADE BOLT TORQUE:	35-40 FT. LBS.
<ul style="list-style-type: none"> <li>The model and serial numbers will be found on a decal attached to the rear of the lawn mower housing. Record both serial number and date of purchase in space provided above.</li> </ul>	

### LAWN MOWER

Always observe safety rules when performing any maintenance.

#### TIRES

- Keep tires free of gasoline, oil, or insect control chemicals which can harm rubber.
- Avoid stumps, stones, deep ruts, sharp objects and other hazards that may cause tire damage.

#### BLADE CARE

For best results, mower blade must be kept sharp. Replace bent or damaged blades.

#### TO REMOVE BLADE

- Disconnect spark plug wire from spark plug and place wire where it cannot come in contact with spark plug.
- Turn lawn mower on its side. Make sure air filter and carburetor are up.
- Use a wood block between blade and mower housing to prevent blade from turning when removing blade bolt.
- Protect your hands with gloves and/or wrap blade with heavy cloth.
- Remove blade bolt by turning counter-clockwise.

- Remove blade and attaching hardware (bolt, lock washer and hardened washer).

**NOTE:** Remove the blade adapter and check the key inside hub of blade adapter. The key must be in good condition to work properly. Replace adapter if damaged.

#### TO REPLACE BLADE

- Position the blade adapter on the engine crankshaft. Be sure key in adapter and crankshaft keyway are aligned.
- Position blade on the blade adapter aligning the two (2) holes in the blade with the raised lugs on the adapter.
- Be sure the trailing edge of blade (opposite sharp edge) is up toward the engine.
- Install the blade bolt with the lock washer and hardened washer into blade adapter and crankshaft.
- Use block of wood between blade and lawn mower housing and tighten the blade bolt, turning clockwise.
- The recommended tightening torque is 35-40 ft. lbs.

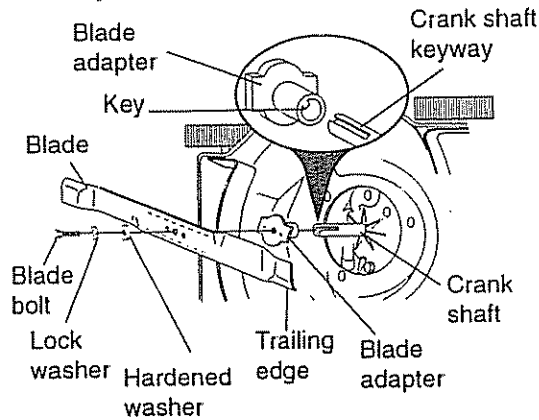
**IMPORTANT:** Blade bolt is grade 8 heat treated.

## TO SHARPEN BLADE

**NOTE:** We do not recommend sharpening blade - but if you do, be sure the blade is balanced.

Care should be taken to keep the blade balanced. An unbalanced blade will cause eventual damage to lawn mower or engine.

- The blade can be sharpened with a file or on a grinding wheel. Do not attempt to sharpen while on the mower.
- To check blade balance, drive a nail into a beam or wall. Leave about one inch of the straight nail exposed. Place center hole of blade over the head of the nail. If blade is balanced, it should remain in a horizontal position. If either end of the blade moves downward, sharpen the heavy end until the blade is balanced.



## GRASS CATCHER

- The grass catcher may be hosed with water, but must be dry when used.
- Check your grass catcher often for damage or deterioration. Through normal use it will wear. If catcher needs replacing, replace only with a manufacturer approved replacement catcher. Give the lawn mower model number when ordering.

## DRIVE WHEELS

Check front drive wheels each time before you mow to be sure they move freely. The wheels not turning freely means trash, grass cuttings, etc. are in the drive wheel area and must be cleaned to free drive wheels.

If necessary to clean the drive wheels, check both front wheels.

- Remove hubcaps, hairpin cotters and washers.
- Remove wheels from wheel adjusters.

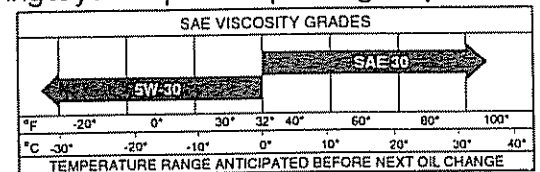
- Remove any trash or grass cuttings from inside the dust cover, pinion and/or drive wheel gear teeth.
- Put wheels back in place.
- If after cleaning, the drive wheels do not turn freely, contact your nearest authorized service center.

## GEAR CASE

- To keep your drive system working properly, the gear case and area around the drive should be kept clean and free of trash build-up. Clean under the drive cover twice a season.
- The gear case is filled with lubricant to the proper level at the factory. The only time the lubricant needs attention is if service has been performed on the gear case.
- If lubricant is required, use only Texaco Starplex Premium 1 Grease, Part No. 750355. Do not substitute.

## ENGINE LUBRICATION

Use only high quality detergent oil rated with API service classification SF, SG, or SH. Select the oil's SAE viscosity grade according to your expected operating temperature.



**NOTE:** Although multi-viscosity oils (5W30, 10W30 etc.) improve starting in cold weather, these multi-viscosity oils will result in increased oil consumption when used above 32°F. Check your engine oil level more frequently to avoid possible engine damage from running low on oil.

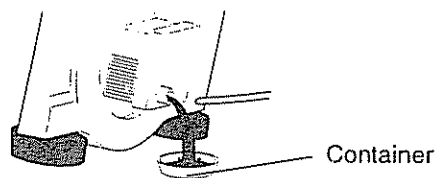
Change after the first 25 hours of operation at least once a year if the lawn mower is not used for 25 hours in one year.

Check the crankcase oil level before starting the engine and after each five (5) hours of continuous use. Tighten oil plug securely each time you check the oil level.

## TO CHANGE ENGINE OIL

**NOTE:** Before tipping lawn mower to drain oil, drain fuel tank by running engine until fuel tank is empty.

- Disconnect spark plug wire from spark plug and place wire where it cannot come in contact with spark plug.
- Remove engine oil cap; lay aside on a clean surface.
- Tip lawn mower on its side as shown and drain oil into a suitable container. Rock lawn mower back and forth to remove any oil trapped inside of engine.
- Wipe off any spilled oil on lawn mower and on side of engine.
- Fill engine with oil. Fill only to the "FULL" line on the dipstick. DO NOT overfill
- Replace engine oil cap.
- Reconnect spark plug wire to spark plug.

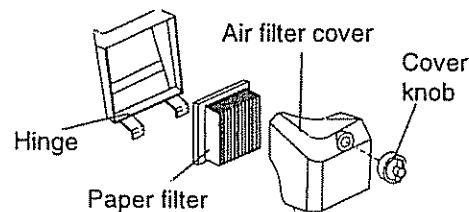


## AIR FILTER

Your engine will not run properly and may be damaged by using a dirty air filter. Replace the air filter every year, more often if you mow in very dusty, dirty conditions. Do not wash air filter.

## TO CHANGE AIR FILTER

- Loosen cover knob.
- Swing cover down and remove from hinge.
- Pull paper filter out of air cleaner body.
- Clean air cleaner cover and body.
- Install a new paper filter.
- Reinstall cover to air cleaner body. Be sure hinge is assembled properly.
- Swing cover up and tighten cover knob. (Do not overtighten).



## MUFFLER

Inspect and replace corroded muffler as it could create a fire hazard and/or damage.

## SPARK PLUG

Change your spark plug each year to make your engine start easier and run better. Set spark plug gap at .030 inch.

## CLEANING

**IMPORTANT:** For best performance, keep mower housing free of built-up grass and trash. Clean the underside of your mower after each use.

**CAUTION:** Disconnect spark plug wire from spark plug and place wire where it cannot come in contact with the spark plug.

- Turn lawn mower on its side. Make sure air filter and carburetor are up. Clean the underside of your lawn mower by scraping to remove build-up of grass and trash.
- Clean engine often to keep trash from accumulating. A clogged engine runs hotter and shortens engine life.
- Keep finished surfaces and wheels free of all gasoline, oil, etc.
- We do not recommend using a garden hose to clean lawn mower unless the electrical system, muffler, air filter and carburetor are covered to keep water out. Water in engine can result in shortened engine life.

## CLEAN UNDER DRIVE COVER

Clean under drive cover at least twice a season. Scrape underside of cover with putty knife or similar tool to remove any build-up of trash or grass on underside of drive cover.

## SERVICE AND ADJUSTMENTS

**CAUTION:** Before performing any service or adjustments.

- Release control bar and stop engine.
- Make sure the blade and all moving parts have completely stopped.
- Disconnect spark plug wire from spark plug and place where it cannot come in contact with plug.

### LAWN MOWER

#### TO ADJUST CUTTING HEIGHT

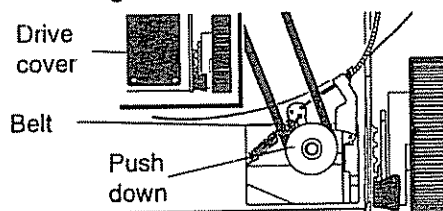
See "TO ADJUST CUTTING HEIGHT" in the Operation section of this manual.

#### REAR DEFLECTOR

The rear deflector, attached between the rear wheels of your lawn mower, is provided to minimize the possibility that objects will be thrown out the rear of the lawn mower into the operator's mowing position. If the rear deflector becomes damaged, it should be replaced.

#### TO REMOVE/REPLACE DRIVE BELT

- Remove drive cover. Remove belt by pushing down on gear case pulley and roll belt off.
- Turn lawn mower on its side with carburetor and fuel cap up.
- Remove blade.
- Remove debris shield.
- Remove belt from engine pulley on crankshaft.
- Install new belt by reversing above steps.
- Always use factory approved belt to assure fit and long life.



#### TO ADJUST HANDLE

Your lawn mower handle can be raised or lowered for your mowing comfort. Four (4) positions are available: high, medium high, medium low and low. Handles are shipped mounted in the medium low position.

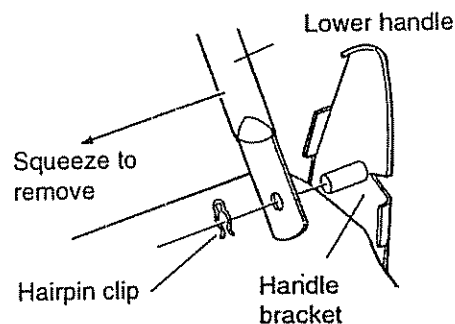
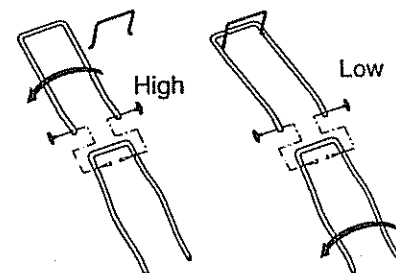
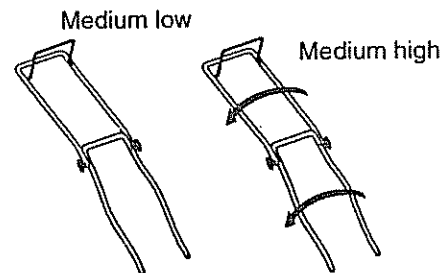
- To change from medium low to medium high position, the upper and lower handle sections will have to be turned over.
- Remove cable clips.
- Remove the controls and operator presence control bar from the upper handle.

- Remove the starter rope guide from the upper handle.
- Remove hairpin cotters.
- Disconnect the lower handle from the handle brackets.
- Turn the handle over and reassemble the hairpin cotters that have been removed.
- Reassemble the starter rope guide.
- Reassemble the controls and the operator presence control bar to the upper handle.

**CAUTION:** The operator presence control bar must pivot freely to permit blade brake engagement when control bar is released. Do not over tighten the fasteners holding the controls to the upper handle.

- To change from medium low to high position only the upper handle section will have to be turned over.
- To change from medium low to low position, only the lower handle section will have to be turned over.

Shipping position



## ENGINE SPEED

Your engine speed has been factory set. Do not attempt to increase engine speed or it may result in personal injury. If you believe that the engine is running too fast or too slow, take your lawn mower to an authorized service center for repair and adjustment.

## CARBURETOR

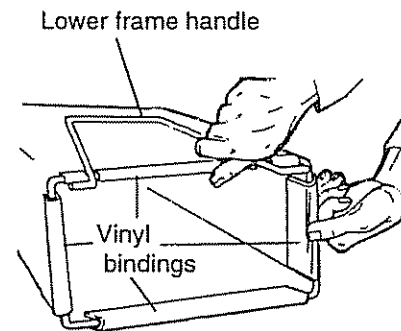
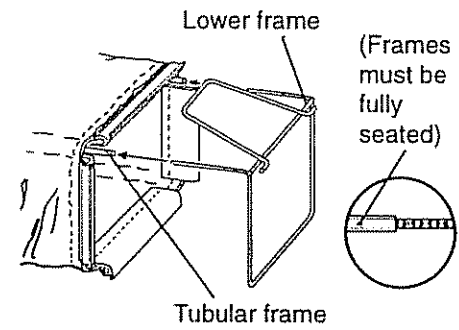
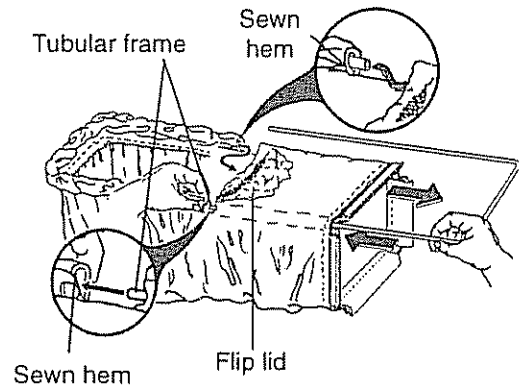
Your carburetor has a non-adjustable fixed main jet for mixture control. If your engine does not operate properly due to suspected carburetor problems, take your lawn mower to an authorized service center for repair and/or adjustment.

## TO ASSEMBLE GRASS CATCHER

- Insert leg of tubular frame through front opening of grass catcher and thread frame into sewn hem of bag.
- **NOTE:** Keep bag hem gathered on the straight leg of the tubular frame.
- When frame comes out the other end of sewn hem, immediately work the end of frame down inside the bag as shown in inset.
- Slide sewn hem evenly around the tubular frame until both ends of frame are exposed out of the front opening.
- Assemble lower frame to tubular frame as shown. Be sure handle is outside of bag and frames are fully seated as shown in inset.
- Slip vinyl bindings over frame.

- **NOTE:** If vinyl bindings are too stiff, hold them in warm water for a few minutes. If bag gets wet, let it dry before using.
- Close the flip lid. Flip lid must be closed while operating lawn mower.

**CAUTION:** Do not run your lawn mower without clipping deflector or approved grass catcher in place. Never attempt to operate the lawn mower with the rear door removed or propped open.



## STORAGE

Immediately prepare your lawn mower for storage at the end of the season or if the unit will not be used for 30 days or more.

### LAWN MOWER

When lawn mower is to be stored for a period of time, clean it thoroughly, remove all dirt, grease, leaves, etc. Store in a clean, dry area.

- Clean entire lawn mower (See "CLEANING" in the Maintenance section of this manual).
- Lubricate as shown in the Maintenance section of this manual.
- Be sure that all nuts, bolts, screws, and pins are securely fastened. Inspect moving parts for damage, breakage and wear. Replace if necessary.
- Touch up all rusted or chipped paint surfaces; sand lightly before painting.

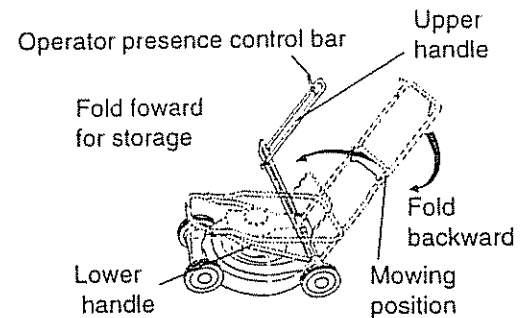
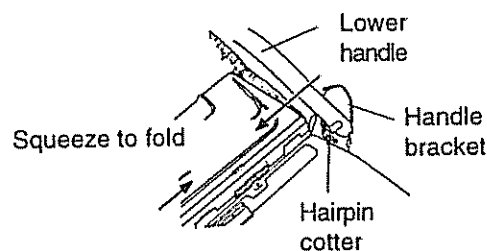
### HANDLE

You can fold your lawn mower handle for storage.

- Squeeze the bottom ends of the lower handle toward each other until the lower handle clears the handle bracket, then move handle forward.
- Loosen upper handle mounting bolts enough to allow upper handle to be folded back.

**IMPORTANT:** When folding the handle for storage or transportation, be sure to fold the handle as shown or you may damage the control cables.

- When setting up your handle from the storage position, the lower handle will automatically lock into the mowing position.



### ENGINE FUEL SYSTEM

**IMPORTANT:** It is important to prevent gum deposits from forming in essential fuel system parts such as carburetor, fuel filter, fuel hose or tank during storage. Also, experience indicates that alcohol blended fuels (called gasohol or using ethanol or methanol) can attract moisture which leads to separation and formation of acids during storage. Acidic gas can damage the fuel system of an engine while in storage.

- Drain the fuel tank.
- Start the engine and let it run until the fuel lines and carburetor are empty.
- Never use engine or carburetor cleaner products in the fuel tank or permanent damage may occur.
- Use fresh fuel next season.

**NOTE:** Fuel stabilizer is an acceptable alternative in minimizing the formation of fuel gum deposits during storage. Add stabilizer to gasoline in fuel tank or storage container. Always follow the mix ratio found on stabilizer container. Run engine at least 10 minutes after adding stabilizer to allow the stabilizer to reach the carburetor. Do not drain the gas tank and carburetor if using fuel stabilizer.

### ENGINE OIL.

Drain oil (with engine warm) and replace with clean engine oil. (See "ENGINE" in the Maintenance section of this manual).

### CYLINDER

- Remove spark plug.
- Pour one ounce (29 ml) of oil through spark plug hole into cylinder
- Pull starter handle slowly a few times to distribute oil.
- Replace with new spark plug.

### OTHER

- Do not store gasoline from one season to another.
- Replace your gasoline can if your can starts to rust. Rust and/or dirt in your gasoline will

cause problems.

- If possible, store your unit indoors and cover it to give protection from dust and dirt.
- Cover your unit with a suitable protective cover that does not retain moisture. Do not use plastic. Plastic cannot breathe which allows condensation to form and will cause your unit to rust.

**IMPORTANT:** Never cover mower while engine and exhaust areas are still warm.

**CAUTION:** Never store the lawn mower with gasoline in the tank inside a building where fumes may reach an open flame or spark. Allow the engine to cool before storing in any enclosure.

## TROUBLESHOOTING CHART

PROBLEM	CAUSE	CORRECTION
Does not start	<ul style="list-style-type: none"><li>• Dirty air filter.</li><li>• Out of fuel.</li><li>• Stale fuel.</li><li>• Water in fuel.</li><li>• Spark plug wire is disconnected.</li><li>• Bad spark plug.</li><li>• Loose blade or broken blade adapter.</li><li>• Control bar in released position.</li><li>• Control bar defective.</li></ul>	<ul style="list-style-type: none"><li>• Clean/replace air filter.</li><li>• Fill fuel tank.</li><li>• Drain tank and refill with fresh clean fuel.</li><li>• Drain fuel tank and carburetor and refill tank with fresh gasoline.</li><li>• Connect wire to plug.</li><li>• Replace spark plug.</li><li>• Tighten blade bolt or replace blade adapter.</li><li>• Depress control bar to handle.</li><li>• Replace control bar.</li></ul>

## TROUBLESHOOTING CHART

PROBLEM	CAUSE	CORRECTION
<b>Loss of power</b>	<ul style="list-style-type: none"> <li>• Rear of lawn mower housing or cutting blade dragging in heavy grass</li> <li>• Cutting too much grass.</li>   <li>• Dirty air filter.</li> <li>• Buildup of grass, leaves, and trash under mower.</li> <li>• Too much oil in engine</li> <li>• Walking speed too fast.</li> </ul>	<ul style="list-style-type: none"> <li>• Set to "Higher Cut" position.</li>   <li>• Set to "Higher Cut" position</li> <li>• Clean/replace air filter</li> <li>• Clean underside of mower housing.</li> <li>• Check oil level.</li> <li>• Cut at slower walking speed.</li> </ul>
<b>Poor cut – uneven</b>	<ul style="list-style-type: none"> <li>• Worn, bent or loose blade.</li>   <li>• Wheel heights uneven.</li>   <li>• Buildup of grass, leaves and trash under mower.</li> </ul>	<ul style="list-style-type: none"> <li>• Replace blade. Tighten blade bolt.</li> <li>• Set all wheels at same height</li> <li>• Clean underside of mower housing.</li> </ul>
<b>Excessive vibration</b>	<ul style="list-style-type: none"> <li>• Worn, bent or loose blade.</li>   <li>• Bent engine crankshaft.</li> </ul>	<ul style="list-style-type: none"> <li>• Replace blade. Tighten blade bolt.</li> <li>• Contact an authorized service center.</li> </ul>
<b>Starter rope hard to pull</b>	<ul style="list-style-type: none"> <li>• Engine flywheel brake is on when control bar is released.</li>   <li>• Bent engine crankshaft.</li>   <li>• Blade adapter broken.</li> <li>• Blade dragging in grass.</li> </ul>	<ul style="list-style-type: none"> <li>• Depress control bar to upper handle before pulling starter rope.</li> <li>• Contact an authorized service center.</li> <li>• Replace blade adapter.</li> <li>• Move lawn mower to cut grass or to hard surface to start engine.</li> </ul>
<b>Grass catcher not filling (if so equipped)</b>	<ul style="list-style-type: none"> <li>• Cutting height too low.</li> <li>• Lift on blade worn off.</li> <li>• Catcher not venting air.</li> </ul>	<ul style="list-style-type: none"> <li>• Raise cutting height.</li> <li>• Replace blade.</li> <li>• Clean grass catcher.</li> </ul>
<b>Hard to push</b>	<ul style="list-style-type: none"> <li>• Grass is too high or wheel height is too low.</li> <li>• Rear of lawn mower housing or blade dragging in grass.</li> <li>• Grass catcher too full.</li> <li>• Handle height position not right for you.</li> </ul>	<ul style="list-style-type: none"> <li>• Raise cutting height.</li>   <li>• Raise rear of lawn mower housing one (1) setting higher.</li> <li>• Empty grass catcher.</li> <li>• Adjust handle height to suit.</li> </ul>

## TABLA DE MATERIAS

Garantía	18	Especificaciones del Producto	27
Reglas de Seguridad	18	Servicio y Ajustes	30
Montaje	20	Almacenamiento	31
Operación	22	Identificación de problemas	33
Mantenimiento	26	Partes de repuesto	Vea el manual inglés del dueño
Programa de Mantenimiento	26	Orden de Partes	Contratapa

## GARANTÍA

### GARANTÍA LIMITADA DE DOS AÑOS PARA LA SEGADORA A MOTOR CRAFTSMAN

Por dos (2) años, a partir de la fecha de compra, cuando esta Segadora Craftsman se mantenga, lubrique y afine según las instrucciones para la operación y el mantenimiento en el manual del dueño, Sears reparará gratis todo defecto en el material y la mano de obra.

Si la Segadora Craftsman se usa para fines comerciales o de arriendo, esta garantía sólo se aplica por noventa (90) días a partir de la fecha de compra.

Esta Garantía no cubre:

- Artículos que se desgastan durante el uso normal tales como las cuchillas segadoras rotatorias, los adaptadores de la cuchilla, las correas, los filtros de aire y las bujías.
- Reparaciones necesarias debido al abuso o a la negligencia del operador, incluyéndose a los cigüeñales doblados y a la falta de mantenimiento del equipo según las instrucciones que se incluyen en el manual del dueño.

EL SERVICIO DE GARANTÍA ESTA DISPONIBLE al devolver la segadora a motor Craftsman al Centro/ Departamento de Servicio Sears mas cercano en los Estados Unidos. Esta garantía se aplica solamente mientras el producto este en uso en los Estados Unidos

Esta Garantía le otorga derechos legales especificos, y puede que también tenga otros derechos que varían de estado a estado.

Sears, Roebuck and Co., D/817WA, Hoffman Estates, IL 60179 USA

## REGLAS DE SEGURIDAD

Los estandares de seguridad exigen la presencia del operador en los controles para reducir a un minimo el riesgo de lesionarse. Su unidad viene equipada con dichos controles. Por ningun motivo trate del eliminar la función de los controles que exigen la presencia del operador.

### ENTRENAMIENTO:

- Lea este manual del operador cuidadosamente. Familiarícese con los controles y aprenda a operar su segadora en forma adecuada. Aprenda a parar su segadora rápidamente.
- No permita que los niños usen su segadora. Nunca permita que los adultos operen la segadora sin contar con las instrucciones adecuadas.
- Mantenga el área de operación despejada de gente, especialmente de niños pequeños y de animales domésticos.

- Use la segadora solamente para los fines propuestos por el fabricante y según las explicaciones descritas en este manual.
- No opere la segadora si se ha caído o dañado en cualquiera forma. Siempre repare los daños antes de usarla.
- No use accesorios que no hayan sido recomendados por el fabricante. El uso de dichos accesorios puede ser peligroso.
- La cuchilla gira cuando el motor está funcionando.

### PREPARACIÓN:

- Siempre revise cuidadosamente el área que se va a segar y despéjela de todas las piedras, palos, alambres, huesos y otros objetos extraños. Estos objetos serán lanzados con la cuchilla y pueden producir lesiones graves.
- Siempre use anteojos de seguridad o protectores de ojos cuando arranque y durante el tiempo que use la segadora.

- Vístase en forma adecuada. No opere la segadora sin zapatos o con sandalias mientras que el motor está funcionando.
- Siegue siempre durante el día o con buena luz artificial.

#### **OPERACIÓN:**

- Mantenga sus ojos y su mente en la segadora y en el área que se está cortando. No permita que otros intereses lo distraigan.
- No corte césped mojado o resbaloso. Nunca corra mientras esté operando su segadora. Siempre asegúrese de mantener el equilibrio - mantenga el mango agarrado firmemente y camine.
- No ponga las manos o los pies cerca o debajo de las partes rotatorias. Manténgase alejado de la abertura de descarga en todo momento.
- Siempre pare el motor cuando se vaya o cuando no esté usando su segadora, o antes de atravesar las entradas para autos, los senderos, caminos y áreas cubiertas de ripio.
- Nunca dirija la descarga del material hacia los espectadores ni permita a nadie cerca de la segadora mientras la esté operando.
- Antes de limpiar, inspeccionar o de reparar la segadora, pare el motor y esté completamente seguro de que la cuchilla y que todas las partes que se mueven se hayan detenido. Luego, desconecte el alambre de la bujía y manténgalo alejado de ésta para evitar el arranque por accidente.
- No continúe haciendo funcionar su segadora si le pega a un objeto extraño. Siga el procedimiento descrito anteriormente, luego repare cualquier daño antes de volver a arrancar y de operar su segadora.
- No cambie los ajustes del regulador o haga que el motor ande a una velocidad excesiva. Se pueden producir daños en el motor y lesiones personales.
- No opere su segadora si vibra fuera de lo normal. La vibración excesiva es una indicación de daño; pare el motor, revise en forma segura la causa de la vibración y haga las reparaciones según sea necesario.
- No haga funcionar el motor en recintos cerrados. Los gases de escape son peligrosos.
- Nunca corte el césped tirando la segadora hacia usted. Siegue a través de la cara de las pendientes, nunca hacia arriba o hacia abajo pues puede perder el equilibrio. No siegue pendientes demasiado empinadas.

Tenga cuidado cuando opere la segadora en terreno disparejo o cuando cambie de dirección – mantenga un buen equilibrio.

- Nunca opere la segadora sin las protecciones adecuadas, las planchas, el recogedor de césped y otros dispositivos de seguridad en su lugar.

#### **MANTENIMIENTO Y ALMACENAMIENTO:**

- Revise la cuchilla y los pernos de montaje del motor a menudo, para asegurarse que están apretados en la forma adecuada.
- Revise todos los pernos, tuercas y tornillos a intervalos frecuentes, para verificar si están apretados en forma adecuada, y asegurarse que la segadora se encuentra en condiciones de funcionamiento seguro.
- Mantenga todos los dispositivos de seguridad en su lugar y listos para funcionar.
- Para reducir el peligro de incendio, mantenga el motor sin césped, hojas y grasa o aceite en exceso.
- Revise el recogedor de césped a menudo para verificar si hay deterioro y desgaste y cambie las bolsas desgastadas. Use solamente las bolsas de repuesto recomendadas por el fabricante de su segadora o que cumplen con las especificaciones de éste.
- Siempre mantenga una cuchilla afilada en su segadora.
- Siempre permita que el motor se enfríe antes de guardarla en cualquier recinto cerrado.
- Nunca guarde la segadora con combustible en el estanque dentro de un edificio endonde los gases pueden alcanzar una llama expuesta o una fuente de ignición, tal como el calentador de agua, la estufa de calefacción, la secadora de ropa, etc.



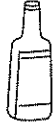
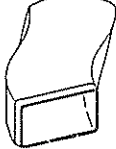

**PRECAUCIÓN:** Siempre desconecte el alambre de la bujía y póngalo donde no pueda entrar en contacto con la bujía, para evitar el arranque por accidente, durante la preparación, el transporte, el ajuste o cuando se hacen reparaciones.

**PRECAUCIÓN:** Es conocido por el Estado de California que los gases de escape del motor de este productor contienen químicos los cuales a ciertos niveles, pueden ocasionar, cáncer, defectos de nacimiento, y otros daños al sistema reproductivo.


## ACCESORIOS PARA LA SEGADORA

Estos accesorios estaban disponibles cuando se produjo la segadora. También están disponibles en la mayoría de las tiendas de Sears y en los centros de servicio. La mayoría de las tiendas Sears también pueden mandar a pedir partes de repuesto para usted, si les proporciona el número del modelo de su segadora. Algunos de estos accesorios tal vez no se apliquen a su segadora.

### RENDIMIENTO DE LA SEGADORA

 <p>DESVIADOR DE RECORTES PARA SEGADORAS CON DESCARGA TRASERA</p>	 <p>JUEGOS PARA LA ACOLCHADORA</p>	 <p>ESTABILIZADORES</p>
 <p>RECORDOR PARA SEGADORAS CON DESCARGA TRASERA</p>	 <p>RECORDOR PARA SEGADORAS CON DESCARGA LATERAL</p>	 <p>ENVASES DE GASOLINA</p>

### MANTENIMIENTO DE LA SEGADORA

 <p>SILENCIADORES</p>			 <p>FILTROS DE AIRE</p>			 <p>BUJÍAS</p>
 <p>CORREAS</p>	 <p>CUCHILLAS</p>	 <p>ADAPTADORES DE CUCHILLA</p>	 <p>RUEDAS</p>	 <p>ACEITE DEL MOTOR</p>		

## MONTAJE

Lea estas instrucciones y este manual completamente antes de tratar de montar u operar su segadora nueva. Su segadora nueva ha sido montada en la fábrica con la excepción de aquellas partes que se dejaron sin montar por razones de envío. Todas las partes como las tuercas, las arandelas, los pernos, etc., que son necesarias para completar el montaje han sido colocadas en la bolsa de partes. Para asegurarse que su segadora funcione en forma segura y adecuada, todas las partes y los artículos de ferretería que se monten tienen que ser apretados seguramente. Use las herramientas correctas, como sea necesario, para asegurar que se aprieten adecuadamente.

### PARA REMOVER LA SEGADORA DE LA CAJA DE CARTÓN

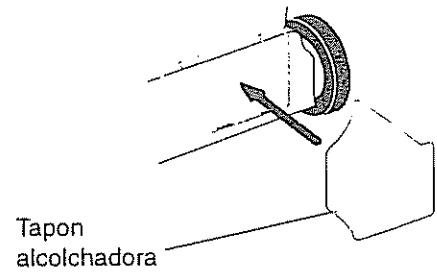
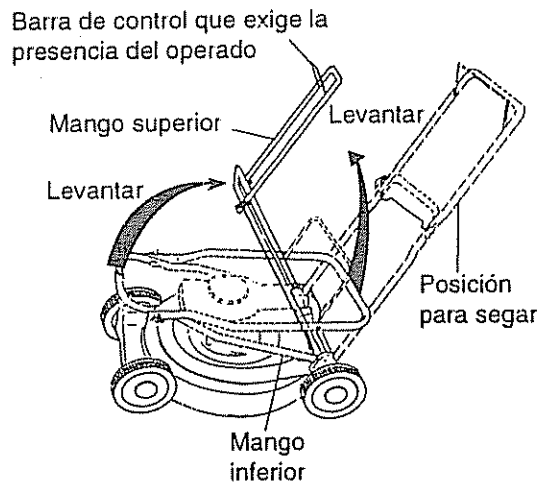
- Remueva las partes sueltas que se incluyen con la segadora.
- Corte las dos esquinas de los extremos de la caja de cartón y tienda el panel del extremo plano.
- Remueva todo el material de empaque, excepto la cuña entre el mango superior y el inferior, y la cuña que sujeta la barra de los control que exige la presencia del operador junto con el mango superior.

- Haga rodar la segadora hacia afuera de la caja de cartón y revisela cuidadosamente para verificar si todavía quedan partes sueltas adicionales.

### COMO PREPARAR SU SEGADORA PARA DESDOBLAR EL MANGO

**IMPORTANTE:** Despliegue el mango con mucho cuidado para no pellizcar o dañar los cables de control.

- Levante los mangos hasta que la sección del mango inferior se asegure en su lugar, en la posición para segar.
- Levante la sección del mango superior hasta su lugar en el mango inferior, remueva la cuña protectora y apriete ambas manillas del mango.
- Remueva la cuña del mango que sujeta la barra de los control que exige la presencia del operador junto con el mango superior.
- El mango de la segadora puede ajustarse según le acomode para segar. Refiérase a "AJUSTE DEL MANGO" en la Sección de Servicio y Ajustes de este manual.



### PARA INSTALAR LOS ACCESORIOS

Su segadora fue enviada lista para usarse como una acolchadora de capa vegetal. Para convertirla de modo que pueda ensacar o descargar:

- Abra la puerta trasera y remueva la tapon acolchadora. Guárdela en un lugar seguro.
- Ahora puede instalar el recogedor o el desviador de recortes opcional.
- Para volver a la operación de acolchamiento con capa vegetal, instale la tapon acolchadora en la abertura de descarga de la segadora. Asegúrese de que todas las orejas estén asentadas en forma adecuada.

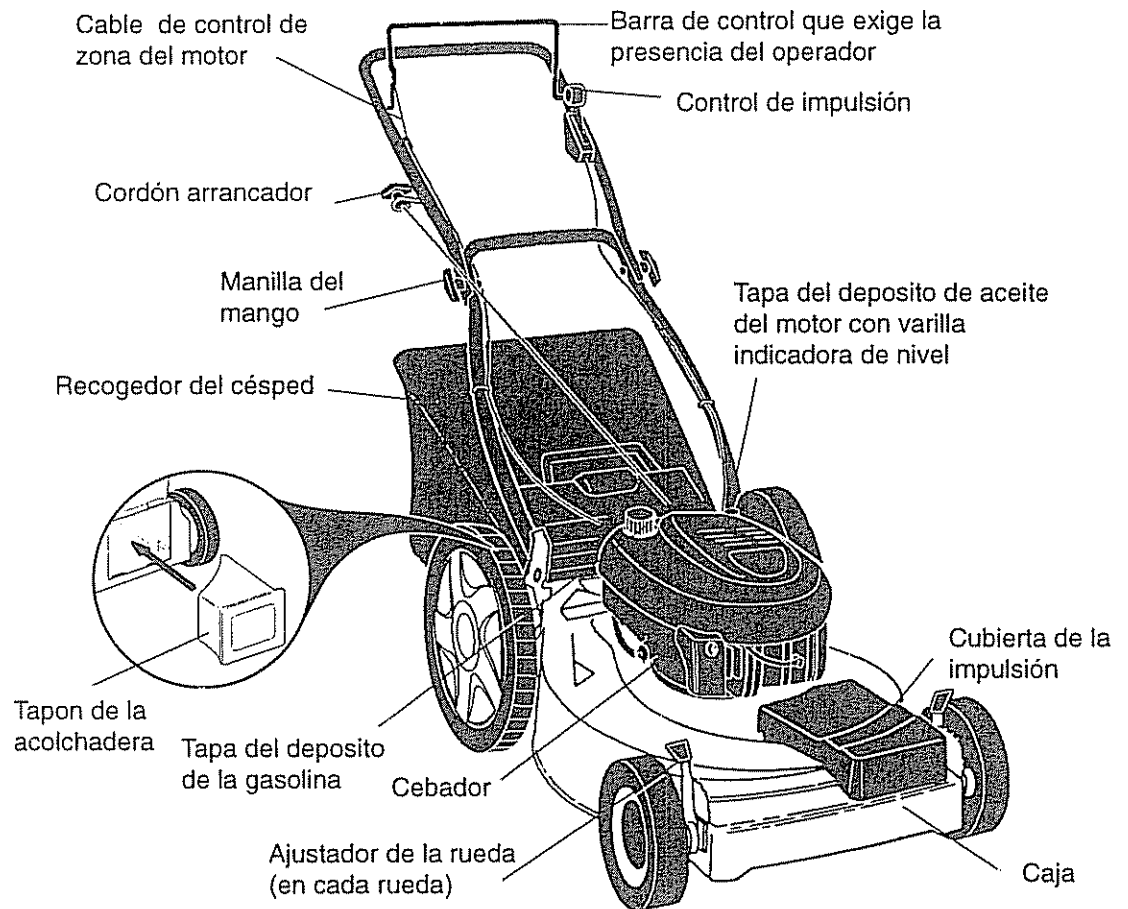
**PRECAUCIÓN:** No haga funcionar su segadora sin la tapon acolchadora aprobada en su lugar, o sin el desviador de recortes, o sin el recogedor de césped, aprobados, en su lugar. Nunca trate de operar la segadora cuando se ha removido la puerta trasera o cuando está un poco abierta.

## OPERACIÓN

### FAMILIARICÉSE CON SU SEGADORA

LEA ESTE MANUAL DEL DUEÑO Y LAS REGLAS DE SEGURIDAD ANTES DE OPERAR SU SEGADORA. Compare las ilustraciones con su segadora para familiarizarse con la ubicación de los diversos controles y ajustes. Guarde este manual para referencia en el futuro.

Estos símbolos pueden aparecer sobre su segadora o en la literatura proporcionada con el producto. Aprenda y comprenda sus significados.



### CUMPLE CON LOS REQUISITOS DE SEGURIDAD DE LA CPSC

Las segadoras a motor, que se conducen desde la parte de atrás, rotatorias, Sears, cumplen con los estándares de seguridad del American National Standards Institute y de la U.S. Consumer Product Safety Commission. La cuchilla gira cuando el motor está funcionando.

**Barra de control que exige la presencia del operador** – tiene que sujetar-se abajo, junto con el mango, para hacer arrancar el motor. Suéltela para parar el motor.

**Cebador** – bombea combustible adicional desde el carburador al cilindro para uso cuando se necesita hacer arrancar un motor frío.

**Cordón arrancador** – se usa para hacer arrancar el motor.

**Palanca de control de la impulsión** – se usa para enganchar la segadora para movimiento hacia adelante impulsada a motor.

**Tapon de la acolchadera** – situada en la abertura de la descarga y debe ser quitada cuando se convierte la operación de ensacado a descarga.

La operación de cualquier segadora puede hacer que salten objetos extraños dentro de sus ojos, lo que puede producir daños graves en éstos. Siempre use anteojos de seguridad o protección para los ojos mientras opere su segadora o cuando haga ajustes o reparaciones. Recomendamos una máscara de seguridad de visión amplia, para uso espejuelos o anteojos de seguridad estandarte.

## COMO USAR SU SEGADORA VELOCIDAD DEL MOTOR

La velocidad del motor se estableció en la fábrica para un rendimiento óptimo. La velocidad no se puede ajustar.

### CONTROL DE ZONA DEL MOTOR

**PRECAUCIÓN:** Las regulaciones federales exigen que se instale un control para el motor en esta segadora para reducir a un mínimo el riesgo de lesionarse debido al contacto con la cuchilla. Por ningún motivo trate de eliminar la función del control del operador. La cuchilla gira cuando el motor está funcionando.

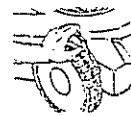
- Su segadora viene equipada con una barra de control que exige la presencia del operador, lo que requiere que el operador esté detrás del mango de la segadora para hacerla arrancar y operarla.

### PARA AJUSTAR LA ALTURA DE CORTE

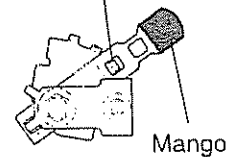
- Levante las ruedas para el corte bajo y baje las ruedas para el corte alto.
- Ajuste la altura de corte para que se acomode a sus requisitos. La posición del medio es la mejor para la mayoría de los céspedes.
- Para cambiar la altura de corte, empuje la palanca del ajustador hacia la rueda. Mueva la rueda hacia arriba o hacia abajo de modo que se acomode a sus requisitos. Asegúrese que todas las ruedas queden igualmente ajustadas.

**AVISO:** El ajustador esta correctamente colocado cuando las orejas de la placa están insertadas en el agujero del mango. También, los ajustes de 9 posiciones (si equipado) permiten que el mango pueda ser movido entre las orejas de la placa.

Para un corte alto, baje las  
ruedas



Orejas de la  
placa



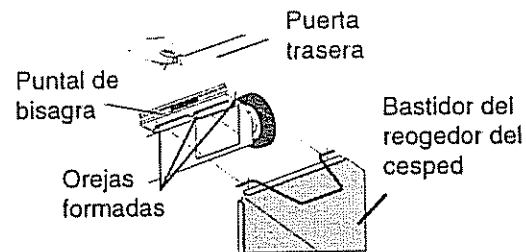
Mango

Para un corte bajo, levante las ruedas

## PARA MONTAR Y ADJUNTAR EL RECOGEDOR DE CÉSPED

- Cierre la tapa soltable. La tapa soltable debe estar cerrada cuando se esta operando la segadora.
- Levante la puerta trasera de la caja de la segadora y ponga el bastidor del recogedor de césped en las orejas formadas en el puntal de bisagra de la puerta trasera.
- El recogedor de césped esta asegurado en la caja de la segadora cuando se baja la puerta trasera para descansar en el bastidor del recogedor de césped

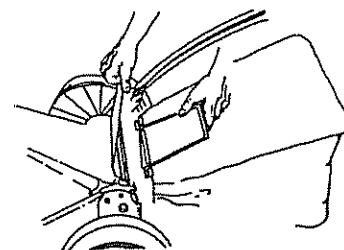
**PRECAUCIÓN:** No haga funcionar su segadora sin el desviador de recortes o sin el recogedor de césped, aprobados, en su lugar. Nunca trate de operar la segadora cuando se ha removido la puerta trasera o cuando está un poco abierta.



## PARA VACIAR EL RECOGEDOR DE CÉSPED

- Para remover el recogedor del césped suelte la barra de control del operador para poder parar el motor.
- Levante la puerta de atras y remova el recogedor del césped por el mango.

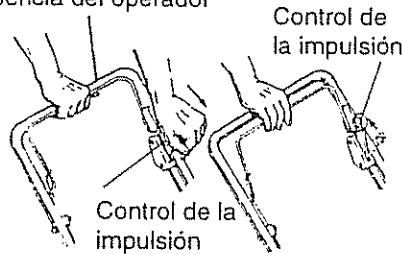
**AVISO:** No arrastre la bolsa cuando la vacíe; se producirá un desgaste innecesario.



## CONTROL DE LA IMPULSIÓN

- La autoimpulsión se controla al sujetar la barra de control que exige la presencia del operador hacia abajo en el mango y al empujar la palanca de control de la impulsión hacia adelante hasta que suene "clic," luego se suelta la palanca.
- El movimiento hacia adelante parará cuando la barra de control que exige la presencia del operador se suelta. Para parar el movimiento hacia adelante sin parar el motor, suelte la barra de control que exige la presencia del operador un poco hasta que se desenganche el control de la impulsión. Sujete la barra de control que exige la presencia del operador abajo en contra del mango para continuar segando sin autoimpulsión.
- Para mantener el control de la impulsión enganchado cuando se de vuelta en las esquinas, empuje el mango hacia abajo y levante las ruedas delanteras fuera del suelo al girar la segadora

Barra de control que exige la presencia del operador



Para enganchar el control de la impulsión

Control de la impulsión desenganchado

## ANTES DE HACER ARRANCAR EL MOTOR

### ACEITE

Su segadora fue enviada sin aceite en el motor.

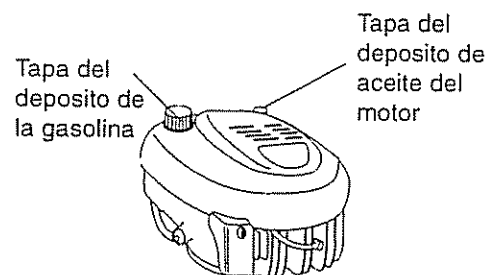
- Asegúrese que la segadora esté nivelada y que el área alrededor del depósito de aceite esté limpia.
- Remueva la tapa del depósito de aceite del motor y rellene hasta la línea de lleno en ésta.
- Use 27 oz. de aceite. Para el tipo y la calidad vea "MOTOR" en la sección de las Mantenimiento en este manual.
- Vacíe el aceite lentamente. No lo llene demasiado.
- Revise el nivel del aceite antes de cada uso. Agregue aceite si es necesario. Llene hasta la línea de lleno en la varilla indicadora de nivel.
- Para leer el nivel adecuado, apriete la tapa del depósito de aceite del motor cada vez.
- Vuelva a instalar la tapa del depósito del aceite y apriétela.

- Después de las dos (2) primeras horas de siega, cambie el aceite y cada 25 horas de ahí en adelante. Puede necesitar cambiar el aceite más a menudo cuando las condiciones son polvorosas o sucias.

## GASOLINA

- Llene el estanque de combustible. Use gasolina regular, sin plomo, nueva y limpia con el mínimo de 87 octanos. (El uso de gasolina con plomo aumentará los depósitos de óxido de plomo y carbono y se reducirá la duración de la válvula). No mezcle el aceite con la gasolina. Para asegurar que la gasolina utilizada sea fresca compre estanques los cuales puedan ser utilizados durante los primeros 30 días.

**ADVERTENCIA:** La experiencia ha indicado que los combustibles mezclados con alcohol (conocidos como gasohol, o el uso de etanol o metanol) pueden atraer la humedad, la que conduce a la separación y formación de ácidos durante el almacenamiento. La gasolina ácida puede dañar el sistema del combustible de un motor durante el almacenamiento. Para evitar los problemas con el motor, se debe vaciar el sistema de combustible antes de guardarlo por un período de 30 días o más. Vacíe el estanque de combustible, haga arrancar el motor y hágalo funcionar hasta que las líneas del combustible y el carburador queden vacíos. La próxima temporada use combustible nuevo. Vea las Instrucciones para el Almacenamiento para más información. Nunca use productos de limpieza para el motor o para el carburador en el estanque del combustible pues se pueden producir daños permanentes.



## PARA HACER ARRANCAR EL MOTOR

- Para hacer arrancar un motor frío, empuje el cebador tres (3) veces antes de tratarlo. Empuje firmemente. Este paso normalmente no es necesario cuando se hace arrancar un motor que ya ha estado funcionando por unos cuantos minutos.
- Sujete la barra de control que exige la presencia del operador abajo en el mango y tire el mango del arrancador rápidamente. No permita que el cordón arrancador se devuelva abruptamente.
- Para parar el motor, suelte la barra de control que exige la presencia del operador.

**AVISO:** En climas más fríos puede que sea necesario repetir los pasos del cebado. En climas más calurosos el cebar demasiado puede producir el ahogo y el motor no va a arrancar. Si se ahoga el motor espere unos cuantos minutos antes de tratar de hacerlo arrancar y no repita los pasos del cebado.

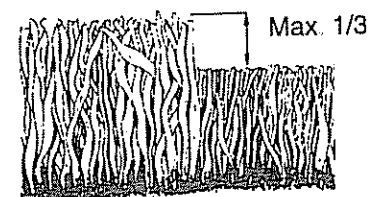
## CONSEJOS PARA SEGAR

- Bajo ciertas condiciones, tal como césped muy alto, puede ser necesario el elevar la altura del corte para reducir el esfuerzo necesario para empujar la segadora y para evitar sobrecargar el motor, dejando montones de recortes de césped. Puede que sea necesario reducir la velocidad del recorrido y/o haga funcionar la segadora sobre el área por segunda vez.
- Para un corte muy pesado, reduzca el ancho del corte pasando parcialmente por encima del lugar anteriormente cortado y siegue lentamente.
- Para un mejor ensacado del césped y para la mayoría de las condiciones de corte, la velocidad del motor debe ajustarse a la posición de rápido.
- Cuando use una segadora con descarga trasera en césped húmedo y pesado, los montones del césped cortado puede que no entren en el recogedor de césped. Reduzca la velocidad del recorrido (velocidad de empuje) y/o haga funcionar la segadora sobre el área por segunda vez.
- Si queda una huella de cortes en el lado derecho de una segadora con descarga trasera, siegue en la dirección en que giran las manillas del reloj, solapando un poco para recaudar los recortes en la próxima pasada.
- Los poros en los recogedores de césped de tela pueden llenarse con mugre y polvo con el uso y los recogedores recaudarán menos césped. Para evitar esto, rocíe el recogedor con la manguera de agua regularmente y déjelo secarse antes de usarlo.
- Mantenga la parte superior del motor, alrededor del arrancador, despejada y sin recortes de césped y paja. Esto ayudará el flujo del aire del motor y extenderá su duración.

## CONSEJOS PARA SEGAR Y ACOLCHAR

**IMPORTANTE:** Para obtener el mejor rendimiento mantenga la caja de la segadora a sin acumulación de césped y basura. Vea "LIMPIEZA" en sección de "Mantenimiento" de este manual.

- La cuchilla acolchadora especial va a volver a cortar los recortes de césped muchas veces, y los reduce en tamaño, de modo que si se caen en el césped se van a dispear entre éste y no se van a notar. También, el césped acolchado se va a deshacer rápidamente entregando sustancias nutritivas para el césped. Siempre acolche con la velocidad del motor (cuchilla) más alta, pues así se obtendrá la mejor acción de recorte de las cuchillas.
- Evite cortar el césped cuando esté mojado. El césped mojado tiende a formar montones e interfiere con la acción de acolchado. La mejor hora para segar el césped es temprano en la tarde. A esa hora éste se ha secado y el área recién cortada no quedará expuesta al sol directo.
- Para obtener los mejores resultados, ajuste la altura del corte de la segadora de modo que ésta corte solamente el tercio superior de las hojas de césped. En el caso de que el césped haya crecido demasiado, puede ser necesario el elevar la altura del corte para reducir el esfuerzo necesario para empujar la segadora y para evitar sobrecargar el motor, dejando montones de recortes de césped. Para un acolchamiento muy pesado, reduzca el ancho del corte pasando por encima del lugar anteriormente cortado y siegue lentamente.
- Ciertos tipos de césped y sus condiciones pueden exigir que un área tenga que ser acolchada por segunda vez para esconder completamente los recortes. Cuando se haga el segundo corte, siegue atravesado o en forma perpendicular a la pasada del primer corte.
- Cambie su patrón de corte de semana a semana. Siegue de norte a sur una semana y luego cambie de este a oeste la próxima semana. Esto evitará que el césped se enrede y cambie de dirección.



## MANTENIMIENTO

PROGRAMA DE MANTENIMIENTO		FECHAS DE SERVICIO				
LLENE LAS FECHAS A MEDIDA QUE COMPLETE SU SERVICIO REGULAR		ANTES DE CADA USO	DESPUES DE CADA USO	CADA 10 HORAS	CADA 25 HORAS O CADA TEMPORADA	ANTES DEL ALMACENAMIENTO
<b>SE G A D O R A</b>	Revisar si hay sujetadores sueltos	✓			✓	
	Limpiar/inspeccionar el recogedor de césped (si viene equipado)	✓	✓		✓	
	Limpiar la segadora		✓		✓	
	Limpiar debajo de la cubierta de la transmisión (segadoras con poder propulsor)			✓		
	Revisar las correas y las poleas impulsadas (segadoras con poder propulsor)				✓	
	Revisar o/afilarse/cambiar la cuchilla				✓ <sub>3</sub>	
	Tabla de lubricación				✓	✓
<b>M O T O R</b>	Limpiar la batería/recargar (segadoras con arranque eléctrico)			✓	✓ <sub>4</sub>	
	Revisar el nivel del aceite	✓				
	Cambiar el aceite del motor				✓ <sub>1,2</sub>	
	Limpiar el filtro de aire				✓ <sub>2</sub>	
	Inspeccionar el silenciador				✓	
	Cambiar o/cambiar la bujía				✓	
Cambiar el cartucho de papel del filtro de aire				✓ <sub>2</sub>		

- 1 - Cambiar más a menudo cuando se opere bajo carga pesada o en ambientes con altas temperaturas  
 2 - Dar servicio más a menudo cuando se opere en condiciones sucias o polvorosas  
 3 - Cambie las cuchillas más a menudo cuando siegue en terreno arenoso  
 4 - Cargar por 48 horas al fin de la temporada.

### RECOMENDACIONES GENERALES

La garantía de esta segadora no cubre los artículos que han estado sujetos al abuso o a la negligencia del operador. Para recibir todo el valor de la garantía, el operador tiene que mantener la segadora según las instrucciones descritas en este manual.

Hay algunos ajustes que se tienen que hacer en forma periódica para poder mantener su unidad adecuadamente.

Todos los ajustes en la sección de Servicio y Ajustes de este manual tienen que ser revisados por lo menos un vez por cada temporada.

- Una vez al año, cambie la bujía, limpie o cambie el elemento del filtro de aire y revise si la cuchilla está desgastada. Una bujía nueva y un elemento del filtro de aire limpio/nuevo aseguran la mezcla de aire-combustible adecuada y ayudan a que su motor funcione mejor y que dure más.
- Siga el programa de mantenimiento en este manual.

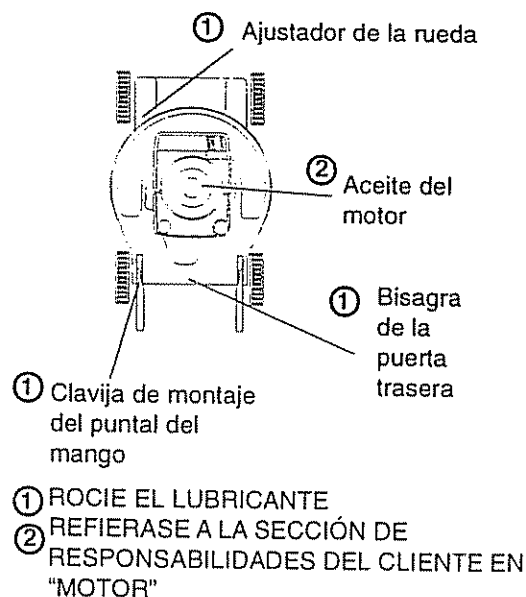
#### ANTES DE CADA USO

- Revise el nivel del aceite del motor.
- Revise si hay sujetadores sueltos.

#### LUBRICACION

Mantenga la unidad bien lubricada (vea la "TABLA DE LUBRICACIÓN").

### TABLA DE LUBRICACIÓN



**IMPORTANTE:** No acerite o engrase los rodamientos de la rueda de plástico. Los lubricantes viscosos atraerán polvo y mugra, lo que acortará la duración de los rodamientos auto lubricantes. Si cree que lubricarse, use solamente un lubricante tipo grafito, de polvo seco, en forma moderada.

## ESPECIFICACIONES DEL PRODUCTO

NÚMERO DE MODELO	917.377592
NÚMERO DE SERIE	
FECHA DE COMPRA	
CABALLOS DE FUERZA:	6.75
DESPLAZAMIENTO:	12.56 CU. IN.
CAPACIDAD Y TIPO DE GASOLINA:	1.5 Cuartos REGULAR SIN PLOMO
TIPO DE ACEITE: (API-SF/SG)	SAE 30 (sobre 32°F) SAE 5W-30 (debajo 32°F)
CAPACIDAD DE ACEITE:	27 oz. de capacidad
BUJÍA (ABERTURA: .030")	CHAMPION RJ19LM O J19LM
TOLERANCIA DE VALVULA:	ADMISIÓN: .004" - .008" DESCARGA: .004" - .008"
SENCENDIDO DE ESTADO	
SOLIDO ABERTURA DE AIRE:	.0125 IN.
TORSIÓN DEL PERNO DE LA CUCHILLA:	35-40 FT. LBS.
<ul style="list-style-type: none"> <li>• El número del modelo y el de serie se encuentran en la calcomanía adjunta a la parte trasera de la caja de la segadora. Debe registrar tanto el número de serie como la fecha de compra y manténgalos en un lugar seguro para referencia en el futuro.</li> </ul>	

### SEGADORA

Siempre observe las reglas de seguridad cuando haga el mantenimiento.

### LLANTAS

- Mantenga las llantas sin gasolina, aceite o substancias químicas para control de insectos que pueden dañar la goma.
- Evite los tocones, las piedras, las grietas profundas, los objetos afilados y otros peligros que pueden dañar a las llantas.

### CUIDADO DE LA CUCHILLA

Para obtener los mejores resultados, la cuchilla de la segadora tienen que mantenerse afilada. Cambie la cuchilla doblada o dañada.

### PARA REMOVER LA CUCHILLA

- Desconecte el alambre de la bujía y póngalo en donde no pueda entrar en contacto con ésta.
- Haga descansar la segadora en su lado. Asegúrese que el filtro de aire y que el carburador queden mirando hacia arriba.
- Use un bloque de madera entre la cuchilla y la caja de la segadora para evitar que la cuchilla gire cuando se le quite el perno.

- Proteja sus manos con guantes y/o envuelva la cuchilla con una tela gruesa.
- Remueva el perno de la cuchilla girándolo en el sentido contrario en que giran las manillas del reloj.
- Remueva la cuchilla y los artículos de ferretería adjuntadores (el perno, la arandela de seguridad y la arandela endurecida).

**AVISO:** Remueva el adaptador de la cuchilla y revise el cubo interior de la ranura del adaptador de la cuchilla. La ranura tiene que estar en buenas condiciones para que funcione en forma adecuada. Cambie el adaptador si está dañado.

### PARA CAMBIAR LA CUCHILLA

- Ponga el adaptador de la cuchilla en el cigueñal del motor. Asegúrese que la ranura del adaptador y que el chavetero del cigueñal estén alineados.
- Ponga la cuchilla en el adaptador de ésta alineando los dos (2) agujeros en la cuchilla con las salientes elevadas en el adaptador.
- Asegúrese de que el borde de salida de la cuchilla (opuesto al borde afilado) esté hacia arriba hacia el motor.
- Instale el perno de la cuchilla con la arandela de seguridad y la arandela endurecida en el adaptador de la cuchilla y el cigueñal.

- Use un bloque de madera entre la cuchilla y la caja de la segadora y apriete el perno de la cuchilla girándolo en el sentido en que giran las manillas del reloj.
- La torsión para apretar recomendada es de 35 – 40 pies libras

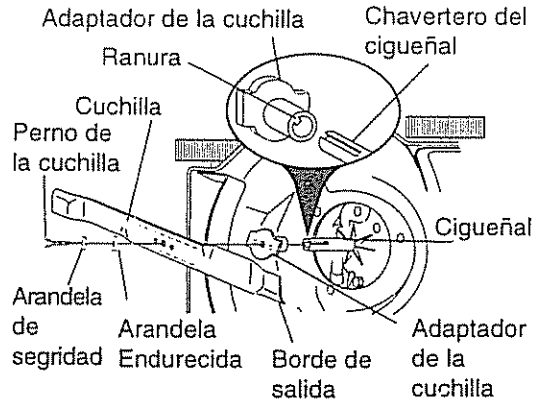
**IMPORTANTE:** El perno de la cuchilla es del tipo 8 tratado a calor.

#### PARA AFILAR LA CUCHILLA

**AVISO:** No recomendamos el afilar la cuchilla – pero si lo hace, asegúrese de que quede balanceada.

Se tiene que tener cuidado de mantenerla balanceada. Una cuchilla que no está balanceada va a producir eventualmente daño en la segadora o en el motor.

- La cuchilla puede afilarse con una lima o en una rueda rectificadora. No trate de afilarla mientras se encuentra en la segadora.
- Para revisar el balance de la cuchilla, clave un clavo en una viga o en la pared. Deje alrededor de una pulgada de un clavo recto expuesto. Ponga el agujero central de la cuchilla sobre la cabeza del clavo. Si la cuchilla está balanceada debe permanecer en la posición horizontal. Si cualquiera de los extremos de la cuchilla se mueve hacia abajo, afíle el extremo pesado hasta que ésta quede balanceada.



#### RECOGEDOR DE CÉSPED

- El recogedor de césped puede ser rociado con el agua de la manguera pero tiene que estar seco cuando se vaya a usar.
- Revise su recogedor de césped a menudo para verificar si está dañado o deteriorado. Se va a desgastar con el uso normal. Si se necesita cambiar el recogedor, cámbielo solamente por uno que sea aprobado por el fabricante. Dé el número del modelo de la segadora cuando lo ordene.

#### CAJA DE ENGRANAJES

- Para mantener el sistema de impulsión funcionando en forma adecuada, la caja de engranajes y el área alrededor de la impulsión tienen que mantenerse limpias y sin acumulación de basura. Limpie debajo de la cubierta de la impulsión dos veces por temporada.
- La caja de engranajes se llena con lubricante hasta el nivel adecuado en la fábrica. La única vez que el lubricante necesita atención es cuando se le ha prestado servicio a la caja de engranajes.
- Si se necesita lubricante, use solamente Grasa Texaco Starplex Premium 1, Parte No. 750355. No use sustitutos.

#### RUEDAS DE IMPULSIÓN

Revise las ruedas de impulsión delanteras cada vez antes de segar, para asegurarse de que se mueven libremente.

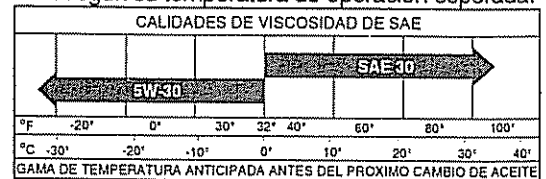
Si las ruedas no giran libremente quiere decir que hay basura, recortes de césped, etc. en el área de las ruedas de impulsión y tienen que limpiarse para liberarlas.

Es necesario limpiar las ruedas de impulsión; revise ambas ruedas delanteras.

- Remueva los tapacubos, las clavijas de horquilla y las arandelas.
- Remueva las ruedas de los ajustadores de las ruedas.
- Remueva la basura y los recortes de césped de dentro de la cubierta contra el polvo, piñón y/o de los dientes de los engranajes de las ruedas de impulsión.
- Ponga las ruedas de vuelta en su lugar.
- Si después de limpiar las ruedas de impulsión no giran libremente, póngase en contacto con su centro/departamento de servicio autorizado más cercano.

#### MOTOR LUBRICACIÓN

Use solamente aceite de detergente de alta calidad clasificado con la clasificación SF, SG o SH de servicio API. Seleccione la calidad de viscosidad SAE según su temperatura de operación esperada.



**AVISO:** A pesar de que los aceites de multiviscosidad (5W30, 10W30, etc.) mejoran el arranque en clima frío, estos aceites de multiviscosidad van a aumentar el consumo de aceite cuando se usan en temperaturas sobre 32° F. Revise el nivel del aceite del motor más a menudo, para evitar un posible daño en el motor, debido a que no tiene suficiente aceite.

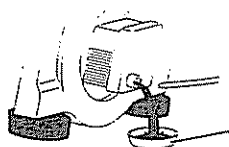
Cambie el aceite después de 25 horas de operación o por lo menos una vez al año si la segadora se utiliza menos 25 horas el año.

Revise el nivel del aceite del cárter antes de arrancar el motor y después de cada cinco (5) horas de uso continuado. Apriete el tapón del aceite en forma segura cada vez que revise el nivel del aceite.

#### PARA CAMBIAR EL ACEITE DEL MOTOR

**AVISO:** Antes de inclinar la segadora para drenar el aceite, drene el tanque de combustible haciendo correr el motor hasta que el tanque esté vacío.

- Desconecte el alambre de la bujía y póngalo de modo que no pueda entrar en contacto con ésta.
- Remueva la tapa del depósito del aceite; déjela a un lado en una superficie limpia.
- Incline la segadora y hágala descansar en su lado y drene el aceite en un envase adecuado. Mueva la segadora de atrás para adelante para remover todo el aceite que se haya quedado atrapado dentro del motor.
- Limpie todo el aceite derramado en la segadora y en el lado del motor.
- Llène el motor con aceite. Llénelo solamente hasta la línea de lleno (FULL) en la varilla indicadora de nivel. **NO LO LLENE DEMASIADO.**
- Vuelva a poner la tapa en el depósito del aceite.
- Vuelva a conectar el alambre de la bujía a ésta.



Envase

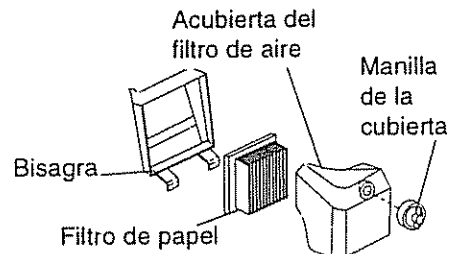
#### FILTRO DE AIRE

Su motor no funcionará en forma adecuada y puede sufrir daños si se usa un filtro de aire sucio.

Cambie el filtro de aire cada año, y más a menudo si siega en condiciones muy polvorosas o sucias. No lave el filtro de aire.

#### PARA CAMBIAR EL FILTRO DE AIRE

- Afloje los tornillos de la cubierta.
- Empuje la cubierta hacia abajo y remuevala de la bisagra.
- Remueva el filtro de papel afuera del cuerpo del filtro de aire.
- Limpie la cubierta y el cuerpo del filtro de aire.
- Instale un nuevo filtro de papel
- Renstale cubierta al conjunto del filtro de aire. Asegúrese que el quicio esté montado adecuadamente
- Empuje la cubierta hacia arriba y apriete los tornillos de la cubierta. (No los priete demaciado)



#### SILENCIADOR

Inspeccione y cambie el silenciador si está corroído pues producir un peligro de incendio y/o daño.

#### BUJÍA

Cambie su bujía cada año para hacer que su motor arranque más fácilmente y funcione mejor. Ajuste la abertura de la bujía en 0.030 pulgada.

#### LIMPIEZA

**IMPORTANTE:** Para obtener el mejor rendimiento, mantenga la segadora sin acumulación de césped y gasura. Limpie la parte de su segadora después de cada uso.

**PRECAUCIÓN:** Desconecte el alambre de la bujía y póngalo en donde no pueda entrar en contacto con ésta.

- Haga descansar la segadora en su lado. Asegúrese que el filtro de aire y que el carburador queden mirando hacia arriba. Limpie la parte inferior de su segadora raspándola para remover la acumulación de césped y basura.
- Limpie el motor a menudo para evitar que se acumule la basura. Un motor tapado funciona más caliente y se acorta su duración.
- Mantenga las superficies pulidas y las ruedas sin gasolina, aceite, etc.
- No recomendamos el uso de una manguera de jardín para limpiar la segadora a menos que el sistema eléctrico, el silenciador, el filtro de aire y el carburador estén tapados para evitar que les entre el agua. El agua en el motor puede acortar la duración de éste.

#### LIMPIE DEBAJO DE LA CUBIERTA DE LA IMPULSIÓN

Limpie debajo de la cubierta de la impulsión por lo menos dos veces cada temporada. Raspe debajo de la cubierta con un cuchillo para masilla o con una herramienta parecida, para remover toda acumulación de césped o basura en la parte inferior de la cubierta de la impulsión.

## SERVICIO Y AJUSTES

### PRECAUCIÓN: ANTES DE DAR CUALQUIER SERVICIO O DE HACER AJUSTES:

- Suelte la barra de control y pare el motor.
- Asegurese que la cuchilla y que todas las partes móviles se hayan detenido completamente.
- Desconecte el alambre de la bujía y póngalo en donde no pueda entrar en contacto con ésta.

### SEGADORA

#### PARA AJUSTAR LA ALTURA DE CORTE

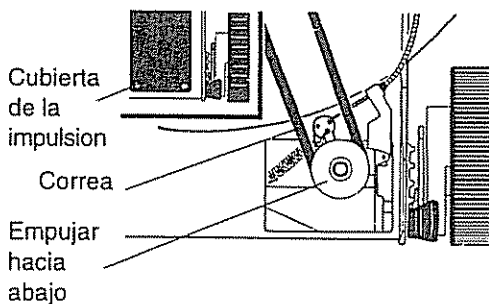
Vea "PARA AJUSTAR LA ALTURA DE CORTE" en la sección de Operación de este manual.

#### DESVIADOR TRASERO

Se proporciona un desviador trasero, adjunto entre las ruedas traseras de su segadora, para reducir a un mínimo la posibilidad que objetos sean lanzados hacia afuera de la parte trasera de la segadora, en la posición en donde se encuentra el operador. Si se daña el desviador debe cambiarse

#### PARA REMOVER/CAMBIAR LA CORREA DE IMPULSIÓN

- Remueva la cubierta de la impulsión. Remueva la correa empujando hacia abajo en la polea de la caja de engranajes.
- Haga descansar la segadora en su lado con el filtro de aire y el carburador mirando hacia arriba.
- Remueva la cuchilla.
- Remueva la defensa en contra del desperdicio.
- Remueva la correa de la polea del motor en el cigueñal.
- Instale la correa nueva siguiendo los pasos anteriores en el orden inverso.
- Siempre use la correa aprobada por la fábrica para asegurarse que calce y dure.



#### PARA AJUSTAR EL MANGO

Se puede levantar o bajar el mango de su segadora según le quede cómodo. Hay cuatro (4) posiciones disponibles: alta, mediana alta, mediana baja, baja. Los mangos se envían montados en la posición mediana baja.

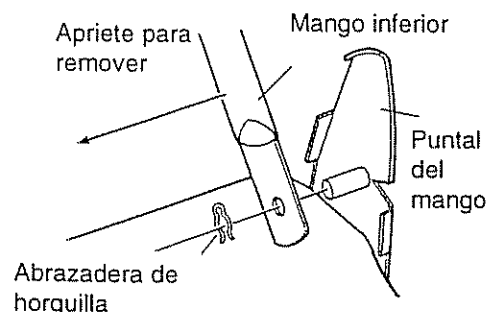
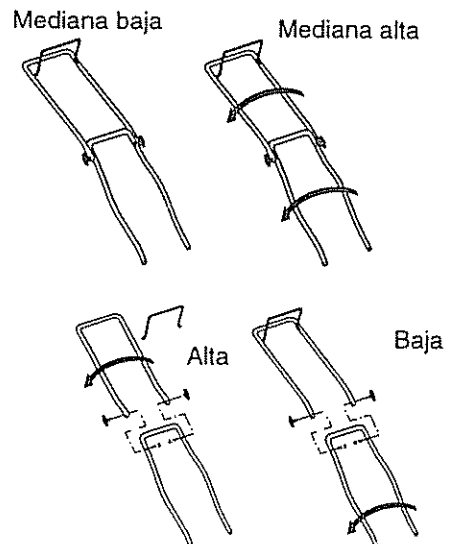
- Para cambiar de la posición mediana baja a mediana alta, la sección superior y la inferior del mango tendrán que darse vuelta.

- Remueva las abrazaderas del cable.
- Remueva los controles y la barra de control que exige la presencia del operador del mango superior.
- Remueva la guía del cordón arrancador del mango superior.
- Remueva las clavijas de horquilla.
- Desconecte el mango inferior de los puntales del mango.
- De vuelta el mango y vuelva a montar las clavijas de horquilla que se habían removido.
- Vuelva a montar la guía del cordón arrancador.
- Vuelva a montar los controles y la barra de control que exige la presencia del operador en el mango superior.

**PRECAUCIÓN:** La barra de control que exige la presencia del operador tiene que pivotar libremente para permitir el enganche de la cuchilla/freno cuando se suelta la barra de control. No apriete demasiado los sujetadores que sujetan a los controles al mango superior.

- Para cambiar de la posición de mediana baja a alta solamente se tendrá que dar vuelta la sección del mango superior.
- Para cambiar de la posición mediana baja a baja, solamente se tendrá que dar vuelta la sección del mango inferior.

#### Posición de envío



## MOTOR

### VELOCIDAD DEL MOTOR

La velocidad del motor ha sido ajustada en la fábrica. No trate de aumentar la velocidad del motor pues se pueden producir lesiones personales. Si cree que el motor está funcionando demasiado rápido o demasiado lento, lleve su segadora a un centro/ departamento de servicio autorizado para repararla o ajustarla.

### CARBURADOR

Su carburador no es ajustable. Si su motor no está funcionando en forma adecuada debido a problemas que se sospecha vienen del carburador, lleve su segadora a un centro de servicio autorizado para repararla y/o ajustarla.

### PARA MONTAR Y ADJUNTAR EL RECOGEDOR DE CÉSPED

- Inserta la pierna del marco tubular en la abertura del recogedor de césped y deslice lo entre la costura de la bolsa.

**AVISO:** Mantenga la costura de la bolsa recogida sobre

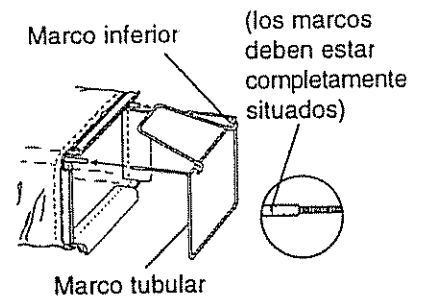
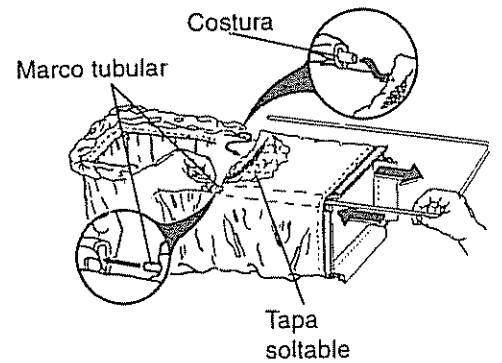
la pierna recta del marco.

- Cuando el marco salga del otro lado de la costura, inserta inmediatamente el extremo del marco adentro de la bolsa como mostrado en la intercalación.
- Deslice la costura igual al rededor del marco tubular, al mismo tiempo trabaje el marco adentro del recogedor de césped.
- Monte el marco inferior al marco tubular como demostrado.
- Deslice los sujetadores de vinilo sobre el marco.

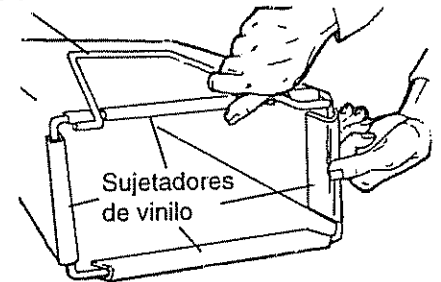
**AVISO:** Si los sujetadores de vinilo están muy duros, métalos en agua caliente.

- Cierre la tapa soltable. La tapa soltable debe estar cerrada cuando se esta operando la segadora.

**PRECAUCIÓN:** No haga funcionar su segadora sin el desviador de recortes o sin el recogedor de césped, aprobados, en su lugar. Nunca trate de operar la segadora cuando se ha removido la puerta trasera o cuando está un poco abierta.



Marco del bastidor



## ALMACENAMIENTO

Inmediatamente prepare su segadora para el almacenamiento al final de cada temporada o si la unidad no se va a usar por 30 días o más

### SEGADORA

Cuando se va a guardar la segadora por cierto período de tiempo, límpiela cuidadosamente, remueva toda la mugre, la grasa, las hojas, etc. Guárdela en un área limpia y seca

- Limpie toda la segadora (Vea "LIMPIEZA" en la sección de Mantenimiento de este manual).
- Lubríquela según se muestra en la sección de Mantenimiento de este manual.
- Asegúrese de que todas las tuercas y clavijas y todos los pernos y tornillos estén apretados en forma segura. Inspeccione las partes que se mueven para verificar si están dañadas, quebradas o desgastadas. Cámbielas si es necesario
- Retoque todas las superficies que estén oxidadas o con la pintura picada; use una lija antes de pintar.

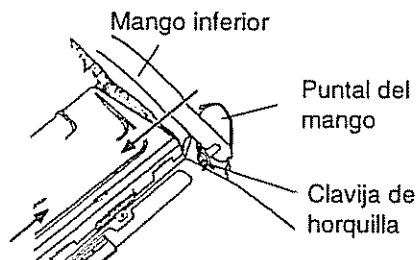
### MANGO

Puede doblar el mango de su segadora para almacenarla.

- Apriete los extremos inferiores del mango inferior entre sí hasta que el mango inferior quede separado del puntal del mango, luego muévalo hacia adelante.
- Suelte los pernos de montaje del mango superior lo suficiente como para permitir que el mango superior se pueda doblar hacia atrás

**IMPORTANTE:** Cuando doble el mango para el almacenamiento o el transporte, asegurese que lo doble según se muestra o puede danar los cables de control.

- Cuando prepare sus mangos a partir de la posición de almacenamiento, el mango inferior automáticamente se asegurará en la posición para segar.



Barra de control que exige la presencia del operador

Mango superior

Doblar hacia adelante para almacenar

Doblar hacia atrás

Posición para segar

Mango inferior

### MOTOR

#### SISTEMA DE COMBUSTIBLE

**IMPORTANTE:** Es importante evitar que se formen depósitos de partes fundamentales del sistema de combustible tales como el carburador, el filtro del combustible, la manguera del combustible o en el estanque durante el almacenamiento. La experiencia también indica que los combustibles mezclados con alcohol (conocido como gasohol o que tienen etanol o metanol) pueden atraer humedad, lo que conduce a la separación y a la formación de ácidos durante el almacenamiento. La gasolina ácida puede dañar el sistema de combustible de un motor durante el período de almacenamiento.

- Drene el estanque de combustible.
- Haga arrancar el motor y déjelo funcionar hasta que las líneas del combustible y el carburador estén vacíos.
- Nunca use los productos para limpieza del carburador o del motor en el estanque de combustible pues se pueden producir daños permanentes.
- Use combustible nuevo la próxima temporada.

**AVISO:** El estabilizador de combustible es una alternativa aceptable para reducir a un mínimo la formación de depósitos de goma en el combustible durante el período de almacenamiento. Agregue estabilizador a la gasolina en el estanque de combustible o en el envase para el almacenamiento. Siempre siga la proporción de mezcla que se encuentra en el envase del estabilizador. Haga funcionar el motor por lo menos 10 minutos después de agregar el estabilizador, para permitir que este llegue al carburador. No drene la gasolina del estanque de gasolina y el carburador si se está usando estabilizador de combustible.

## ACEITE DEL MOTOR

Drene el aceite (con el motor caliente) y cámbielo con aceite de motor limpio. (Vea "MOTOR" en la sección de Mantenimiento de este manual.)

### CILINDRO

- Reemplace la bujía.
- Vacíe una onza (29 ml) de aceite a través del agujero de la bujía en el cilindro.
- Tire la manilla de arranque lentamente unas cuantas veces para distribuir el aceite.
- Vuelva a montar la nueva bujía.

### OTROS

- No guarde la gasolina de una temporada a la otra.
- Cambie el envase de la gasolina si se empieza a oxidar. La oxidación y/o la mugre en su gasolina producirán problemas.

- Si es posible, guarde su unidad en un recinto cerrado y cúbrala para protegerla contra el polvo y la mugre.
- Cubra su unidad con un forro protector adecuado que no retenga la humedad. No use plástico. El plástico no puede respirar, lo que permite la formación de condensación, lo que producirá la oxidación de su unidad.

**IMPORTANTE:** Nunca cubra la segadora mientras el motor y las áreas de escape todavía están calientes.

**PRECAUCIÓN:** Nunca almacene la segadora con gasolina en el estanco dentro de un edificio en donde los gases pueden alcanzar una llama expuesta o una chispa. Permita que se enfríe el motor antes de almacenarla en algún recinto cerrado.

## IDENTIFICACIÓN DE PROBLEMAS

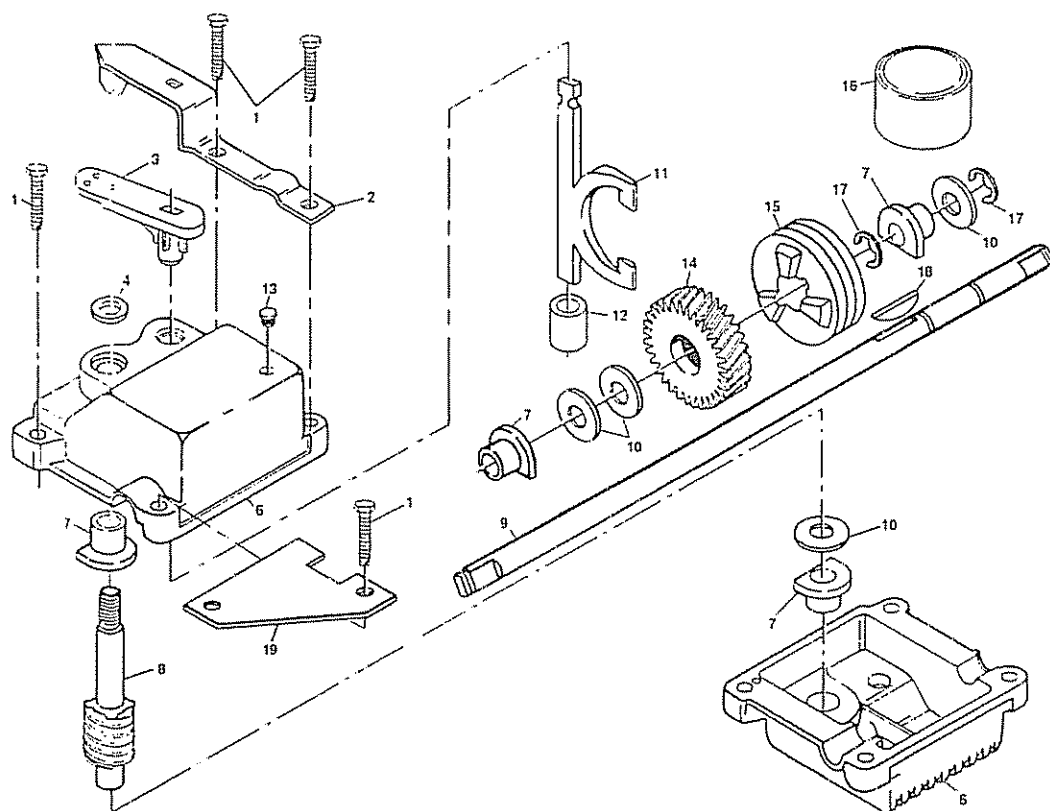
PROBLEMA	CAUSA	CORRECCIÓN
No arranca	<ul style="list-style-type: none"> <li>• Filtro de aire sucio.</li> <li>• Sin combustible.</li> <li>• Combustible rancio.</li> <li>• Agua en el combustible.</li> <li>• Alambre de la bujía desconectado.</li> <li>• Bujía mala.</li> <li>• Cuchilla suelta o adaptador de la cuchilla quebrado.</li> <li>• Barra de control en la posición suelta.</li> <li>• Barra de control defectuosa.</li> </ul>	<ul style="list-style-type: none"> <li>• Limpie/cambie el filtro de aire.</li> <li>• Llène el estanco de combustible.</li> <li>• Drene el estanco y vuelva a llenarlo con combustible limpio y nuevo.</li> <li>• Drene el estanco de combustible y el carburador y vuelva a llenar el estanco con gasolina nueva.</li> <li>• Conecte el alambre a la bujía.</li> <li>• Cambie la bujía.</li> <li>• Apriete el perno de la cuchilla o cambie el adaptador de la cuchilla.</li> <li>• Presione la barra de control hacia el mango.</li> <li>• Cambie la barra de control.</li> </ul>
Falta de fuerza	<ul style="list-style-type: none"> <li>• Parte trasera de la cajacuchilla de la segadora arrastrándose en el césped pesado.</li> <li>• Está cortando mucho césped.</li> <li>• Filtro de aire sucio.</li> <li>• Acumulación de césped, hojas y basura debajo de la segadora.</li> <li>• Demasiado aceite en el motor.</li> </ul>	<ul style="list-style-type: none"> <li>• Ajuste a la posición de "Corte más alto."</li> <li>• Ajuste a la posición de "Corte más alto."</li> <li>• Limpie/cambie el filtro de aire.</li> <li>• Limpie la parte inferior de la caja de la segadora.</li> <li>• Revise el nivel del aceite.</li> </ul>

PROBLEMA	CAUSA	CORRECCIÓN
Mal corte –disparejo	<ul style="list-style-type: none"> <li>• Cuchilla desgastada, doblada o suelta.</li> <li>• Altura de las ruedas dispareja</li> <li>• Acumulación de césped, hojas o basura debajo de la segadora.</li> </ul>	<ul style="list-style-type: none"> <li>• Cambie la cuchilla. Apriete el perno de la cuchilla.</li> <li>• Ajuste todas las ruedas a la misma altura.</li> <li>• Limpie la parte inferior de la caja de la segadora.</li> </ul>
Vibración excesiva	<ul style="list-style-type: none"> <li>• Cuchilla desgastada, doblada o suelta.</li> <li>• Cigüeñal del motor doblado.</li> </ul>	<ul style="list-style-type: none"> <li>• Cambie la cuchilla. Apriete el perno de la cuchilla.</li> <li>• Póngase en contacto con su centro de servicio autorizado más cercano.</li> </ul>
Cordón arrancador difícil de tirar	<ul style="list-style-type: none"> <li>• El freno del volante del motor está aplicado cuando se suelta la barra de control.</li> <li>• Cigüeñal del motor doblado</li> <li>• Adaptador de la cuchilla quebrado.</li> <li>• La cuchilla se arrastra en el césped.</li> </ul>	<ul style="list-style-type: none"> <li>• Presione la barra de control hacia el mango superior antes de tirar el cordón arrancador.</li> <li>• Póngase en contacto con su centro de servicio autorizado más cercano.</li> <li>• Cambie el adaptador de la cuchilla.</li> <li>• Mueva la segadora a un lugar en donde el césped ha sido cortado o a una superficie firme para hacer arrancar el motor.</li> </ul>
Recogedor de césped no se llena (si viene equipado)	<ul style="list-style-type: none"> <li>• Altura de corte demasiado baja.</li> <li>• Levantamiento de la cuchilla desgastado.</li> <li>• Recogedor sin ventilación de aire.</li> </ul>	<ul style="list-style-type: none"> <li>• Eleve la altura de corte.</li> <li>• Cambie la cuchillas.</li> <li>• Limpie el recogedor de césped.</li> </ul>
Difícil de empujar	<ul style="list-style-type: none"> <li>• El césped está demasiado alto o la altura de la rueda demasiado baja.</li> <li>• Parte trasera de la caja/cuchilla de la segadora arrastrándose en el césped.</li> <li>• Recogedor de césped demasiado lleno.</li> <li>• Posición de la altura del mango no adecuada para usted.</li> </ul>	<ul style="list-style-type: none"> <li>• Eleve la altura de corte.</li> <li>• Eleve la parte trasera de la caja de la segadora (1) un lugar más alto.</li> <li>• Vacíe el recogedor de césped.</li> <li>• Ajuste la altura del mango de modo que le acomode.</li> </ul>



## REPAIR PARTS

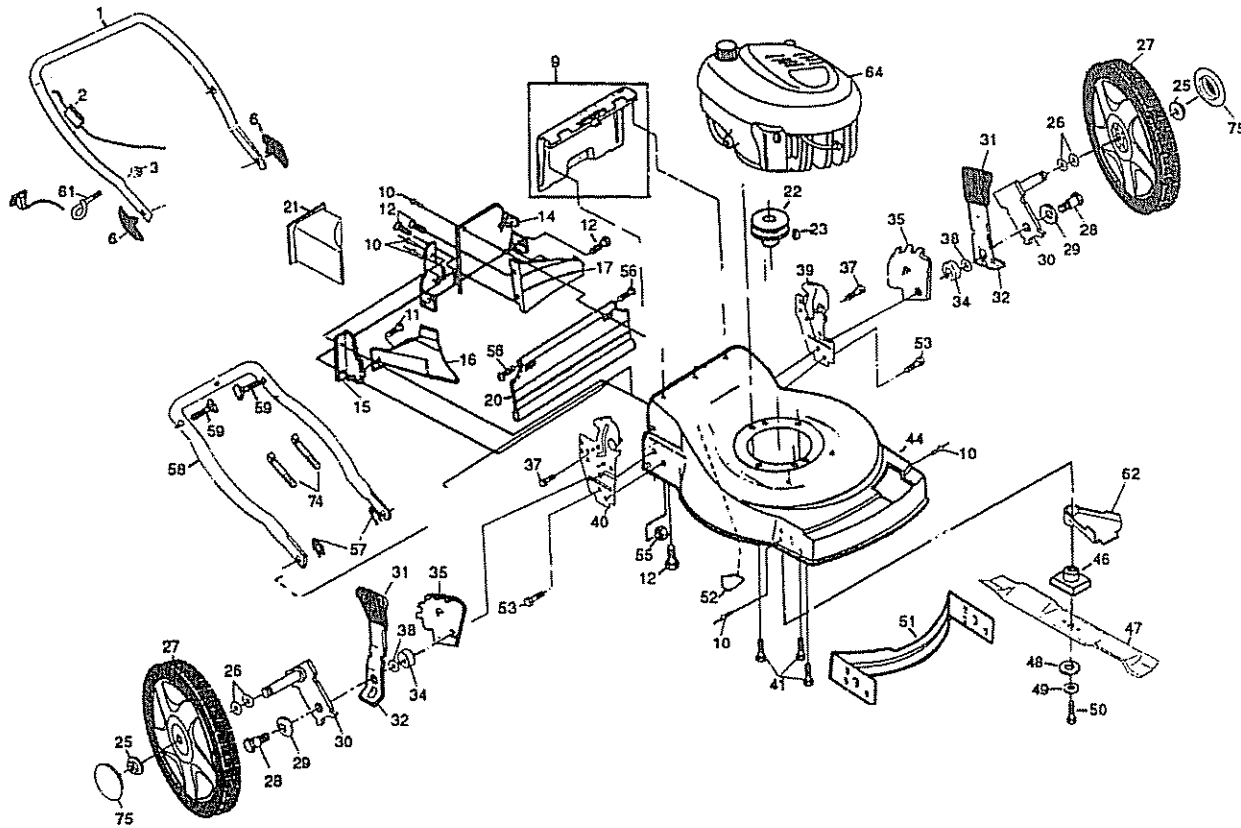
**ROTARY LAWN MOWER - - MODEL NO. 917.377592**  
**GEAR CASE ASSEMBLY PART NUMBER 702511**



KEY NO.	PART NO.	DESCRIPTION	KEY NO.	PART NO.	DESCRIPTION
1	17490416	Tapping Screw 1/4-20 x 1-1/4	11	131484	Clutch Yoke
2	137055X004	Engagement Bracket	12	700343	Bushing
3	137053	Shifter	13	86447	Plug
4	57072	Seal	14	137050	Helical Gear
6	48373	Gear Case Halves Kit (Includes Key Nos. 4, 5, and 7)	15	750436X	Clutch Jaw
7	77881	Bearing	16	750369	Grease
8	137051	Worm Shaft	17	12000003	E-Ring
9	137074	Drive Shaft	18	850848	Hi-Pro Key
10	57079	Hardened Washer	19	81585X004	Spring Bracket

**NOTE:** All component dimensions given in U.S. inches. 1 inch = 25.4 mm

# ROTARY LAWN MOWER MODEL NUMBER 917.377592



REPAIR PARTS



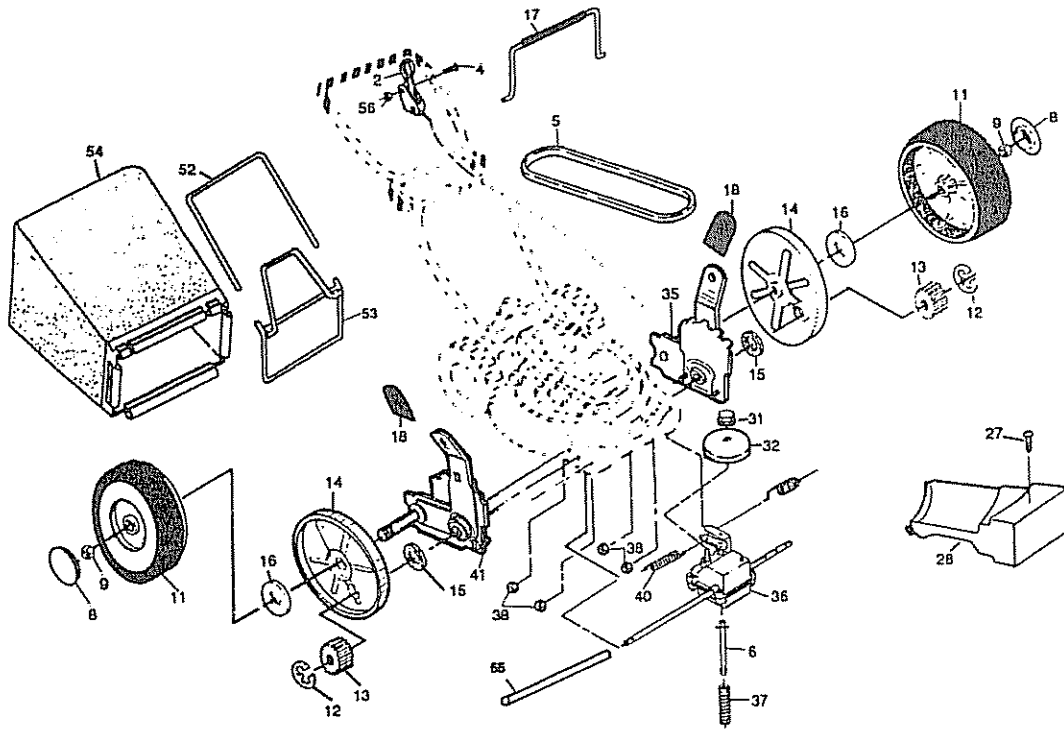
## ROTARY LAWN MOWER MODEL NUMBER 917.377592

KEY NO.	PART NO.	DESCRIPTION	KEY NO.	PART NO.	DESCRIPTION
1	165451X479	Upper Handle	44	161769	Lawn Mower Housing (Incl. Key #14,15, 17, 5 i & 52)
2	158152	Engine Zone Control Cable	46	851514	Blade Adapter
3	63601	Nylon LockNut	47	157101	Blade 22"
6	136376	Handle Knob	48	851074	Hardened Washer
9	151023	Rear Door Kit	49	850263	Helical Washer 3/8-24 x 1-3/8 Grd. 8
10	128415	Pop Rivet	50	851084	Hex Head Machine Screw 3/8-24 x 1-3/8 Grd. 8
11	150050	Self Tapping Screw #10-24	51	165548	Front Baffle
12	STD512505	Hex Tapping Screw 1/4-20 x 1/2	52	85463	Danger Decal
14	156374X479	Back Plate	53	74760612	Bolt
15	700365X479	Side Baffle	55	751592	Locknut 3/8-16
16	133190X479	Discharge Baffle	56	88652	Hinge Screw
17	140661X479	Rear Baffle	57	51793	Hairpin Cotter
20	140540	Rear Skirt	58	157081X479	Lower Handle
21	150425	Mulcher Plug	59	131959	Handle Bolt
22	85543	Engine Pulley	61	132001	Rope Guide
23	87677	Hi-Pro Key #505	62	134612	Debris Shield
25	83923	Nut	64	-----	Engine - (See Breakdown)Craftsman Model 143.996700
26	57143	Washer			
27	151138	Wheel & Tire Assembly	74	66426	Wire tie
28	142748	Shoulder Bolt 3/8-16	75	151440	Hub Cap
29	61651	Belleville Washer	--	161058	Warning Decal (Not Shown)
30	750913X004	Axle Arm Assembly	--	166735	Owner's Manual (English/Spanish)
31	701037	Selector Knob			
32	700331X004	Selector Spring			
34	146630	Spacer			
35	750085X007	Wheel Adjusting Bracket			
37	150078	Thread Cutting Screw 5/16-18 x 3/4			
38	88348	Washer			
39	161814X479	Handle Bracket Assembly (Left)			
40	161812X479	Handle Bracket Assembly (Right)			
41	150406	Hex Head Thread Rolling Screw 3/8-16 x 1-1/8			

Available accessories not included with lawn mower:

<u>71</u>	33623	Gas Can (2.5 gal.)
<u>71</u>	33500	Fuel Stabilizer
<u>71</u>	33027	SAE 30W Oil (27 oz.)
<u>71</u>	33417	Dust Shield
<u>71</u>	33316	Mower Cover
<u>71</u>	33303	Chute Deflector

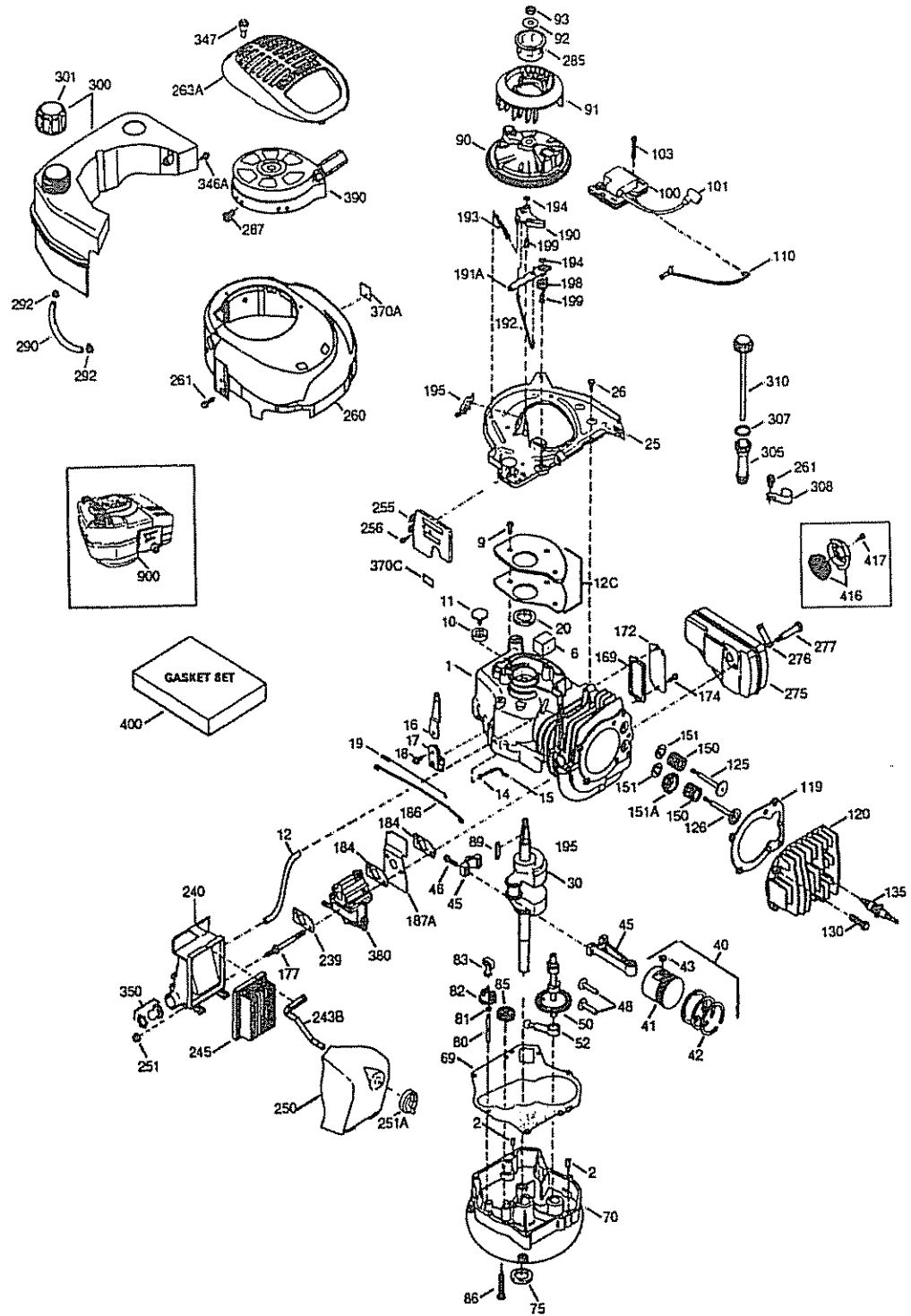
# ROTARY LAWN MOWER MODEL NUMBER 917.377592



REPAIR PARTS

## ROTARY LAWN MOWER MODEL NUMBER 917.377592

KEY NO.	PART NO.	DESCRIPTION	KEY NO.	PART NO.	DESCRIPTION
2	145755	Drive Control	28	154990	Drive Cover
4	158755	Hex Washer Head Screw 1/4-20 x 2-1/8	31	132010	Hex Flange Nut
5	146527	V-Belt	32	137052	Drive Pulley
6	150495	Spring Retainer	35	152018	Wheel Adjuster Assembly (Left)
8	150182	Hubcap	36	702511	Gear Case Assembly
9	145212	Hex Nut	37	137090	Spring
11	150340	Wheel & Tire Assembly	38	63601	Nut
12	12000058	E-Ring	40	75192	Spring
13	137054	Pinion	41	152019	Wheel Adjuster Assembly (Right)
14	88080	Dust Cover	52	144748	Catcher Tube
15	88118	Felt Washer	53	144747	Catcher Throat
16	67725	Washer 1/2 x 1-1/2 x .134	54	154870	Grassbag
17	145793	Control Bar	55	86012	Driveshaft Cover
18	701037	Selector Knob	56	751152	Nut
27	143603	Hex Washer Head Screw #10-24 x 3/4			



CRAFTSMAN 4-CYCLE ENGINE

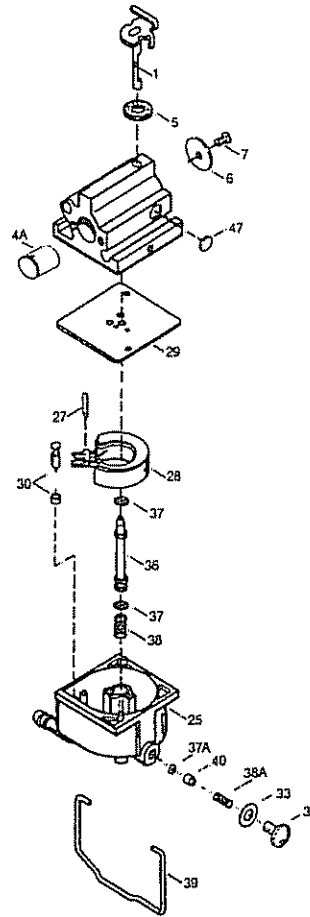
MODEL NUMBER 143.996700

KEY NO.	PART NO.	DESCRIPTION	KEY NO.	PART NO.	DESCRIPTION
1	36177	Cylinder (Incl. 2,10,12,20 & 125)	151	31673	Lower Valve Spring Cap
2	27652	Dowel Pin	151A	40016A	Intake Valve Seal
6	36059	Breather Element	169	27234A	* Valve Spring Box Gasket
9	590568	Screw, 10-24 x 3/4"	172	32755	Valve Spring Box Cover
10	36002	Breather Valve Body	174	30200	Screw, 10-24 x 9/16"
11	36003A	Check Valve	177	650925A	Carburetor Mounting Stud
12	32447	Breather Tube	184	36183	Carburetor Gasket
12C	36005A	* Breather Cover & Gasket	186	36009	Governor Link
14	28277	Flat Washer	187A	37148	Air Baffle
15	36006	Governor Rod (Machined)	190	36013	Brake Lever Ass'y.
16	36008	Governor Lever	191A	36012	Brake Control Lever
17	31335	Governor Lever Clamp	192	36016	Brake Control Lever Link
18	651018	Screw, Torx T-15, 8-32 x 19/64"	193	36015	Brake Spring
19	36103	Governor Spring	194	36014	Retaining Ring
20	36010	Oil Seal	195	610973	Terminal Ass'y.
25	37149	Blower Housing Baffle Ass'y (Incl. 195)	198	36017	Brake Control Lever Spring
26	650802	Screw, 1/4-20 x 5/8"	199	36018	Brake Lever Bushing
30	36185	Crankshaft	239	36048	* Carburetor To Air Cleaner Gasket
40	40004	Piston,Pin, Ring Set (Std.)	240	36190	Air Cleaner Body (Include 239 & 350)
	40005	Piston,Pin, Ring Set (.010 OS)	243B	651041	Air Cleaner Stud
41	36070	Piston & Pin Ass'y. (Std.) (Incl. 43)	245	36046	Air Cleaner Filter
	36071	Piston & Pin Ass'y. (.010 OS)(Incl.43)	250	36191	Air Cleaner Cover
42	40006	Ring Set (Std.)	251	650928	Lock Nut 1/4-20
	40007	Ring Set (.010 OS)	251A	650933	Wing Nut, 1/4-20
43	20381	Piston Pin Retaining Ring	255	36193	Control Plate
45	36023A	Connecting Rod Ass'y (Incl. 46)	256	650983	Screw, 8-32 x 17/32"
46	3261OA	Connecting Rod Bolt	260	36188	Blower Housing
48	36030	Valve Lifter	261	650737	Screw, 1/4-20 x 1/2"
50	36031A	Camshaft (MCR)	263A	36192	Starter Grill
52	29914	Oil Pump Ass'y.	275	36107	Muffler
69	36032A	* Mounting Flange Gasket	276	36043	Locking Plate
70	37271	Mounting Flange (Incl. 72 thru 85)	277	650927	Screw, 5/16-18x2-11/32"
75	36010	Oil Seal	285	34449A	Starter Cup
80	30574A	Governor Shaft	287	650926	Screw, 8-32 x 21/64"
81	30590A	Washer	290	29774	Fuel Line
82	30591	Governor Gear Ass'y (Incl 81)	292	26460	Fuel Line Clamp
83	36057	Governor Spool	300	36189	Fuel Tank (Include. 301)
85	36034	Idler Gear	301	36246	Fuel Cap
86	650924	Screw, 1/4-20 x 1-9/16"	305	36063	Oil Fill Tube
89	611154	Flywheel Key	307	35499	"O" Ring
90	611155	Flywheel	308	36040	Fill Tube Clip
91	611156	Flywheel Fan	310	36064	Dipstick
92	650815	Belleville Washer	346A	28763	Screw, 10-32 x35/64"
93	650816	Flywheel Nut	347	650898A	Screw, 10-32 x27/64"
100	34443B	Solid State Ignition	350	36045A	Primer
101	610118	Spark Plug Cover	370A	36261	Lubrication Decal
103	651007	Screw, Torx T-15, 10-24 x 15/16"	370C	37199	Primer Decal
110	36054	Ground Wire	380	640020A	Carburetor (Incl. 184&239)
119	36061	* Cylinder Head Gasket	390	590739	Rewind Starter
120	36187	Cylinder Head	400	36062D	Gasket Set (Incl. Items Marked *)
125	36471	Exhaust Valve (Std.)(Incl. 151)	416	36085	Spark Arrestor Kit (Incl. 417) (Optional)
	36472	Exhaust Valve (1/32" OS)	417	650821	Screw, 10-32 x 1/2" (Optional)
126	29314C	Intake Valve (Std.) (Incl. 151)	900	— — —	Replacement Engine 750819B, order from 71-999
	29315C	Intake Valve (1/32" OS)	900	— — —	Replacement S/B 750797B, order from 71-999
130	6021A	Screw, 5/16-18 x 1-1/2"	— — —	— — —	RPM High 2900 to 3200
135	35395	Resistor Spark Plug (RJ19LM)			
150	31672	Valve Spring			

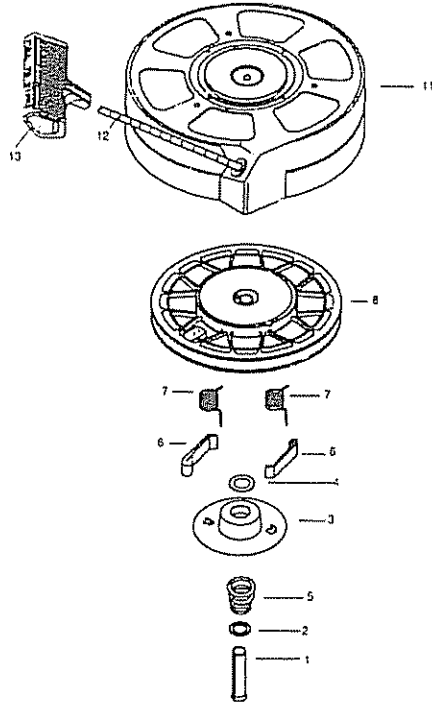
NOTE: This engine could have been built with 590702 starter.

NOTE: All component dimensions given in U.S. inches  
1 inch = 25.4 mm

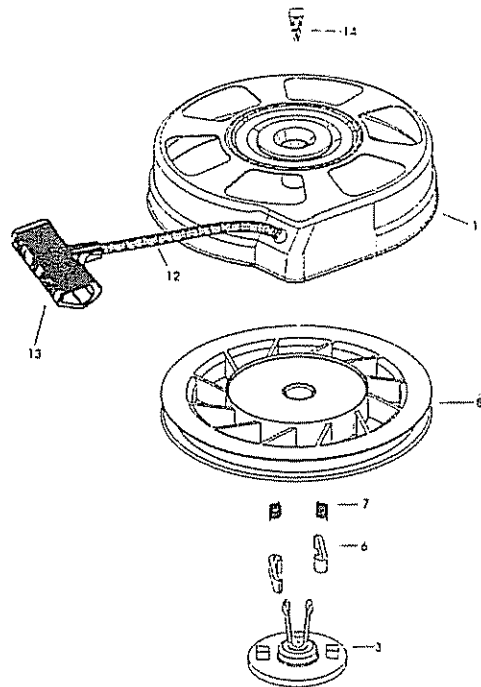




KEY NO.	PART NO.	DESCRIPTION
—	640020A	Carburetor
1	632539	Throttle Shaft & Lever Assembly
5	632593	Dust Seal
6	632541	Throttle Shutter
7	650506	Throttle Shutter Screw
14A	632773	Venturi
25	632675A	Float Bowl
27	632544	Float Shaft
28	632543	Float
29	632548	Float Bowl to Body Gasket
30	632709	Inlet Needle & Seat
32	632672	Bowl Drain Screw
33	632673	Bowl Drain Washer
36	640022	Main Nozzle Tube
37	632547	"O" Ring
37A	632547	"O" Ring, Main Nozzle Tube
38	632545	Spring, Main Nozzle Tube
38A	632545	Spring
39	632549	Float Bowl Retainer
40	640021	Main Fuel Jet
47	632554	Welch Plug, Idle Mixing Well



KEY NO.	PART NO.	DESCRIPTION
—	590702	Recoil Starter
1	590599A	Spring Pin (Incl. 4)
2	590600	Washer
3	590696	Retainer
4	590601	Washer
5	590697	Brake Spring
6	590698	Starter Dog
7	590699	Dog Spring
8	590700	Pulley & Rewind Spring Ass'y
11	590703	Starter Housing Ass'y (40 degree grommet)
12	590535	Starter Rope ( 98" X 9/64" dia )
13	590701	Starter Handle

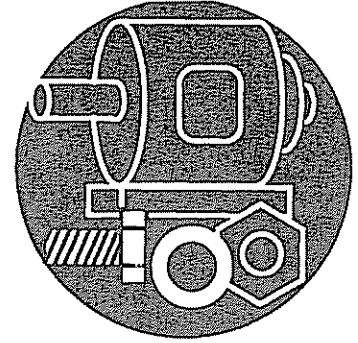


KEY NO.	PART NO.	DESCRIPTION
—	590739	Rewind Starter
3	590740	Retainer
6	590616	Starter Dog
7	590617	Dog Spring
8	590618A	Pulley & Rewind Spring Ass'y
11	590638	Starter Housing Ass'y (40 degree grommet)
12	590535	Starter Rope (Length 98" x 9/64" dia.)
13	590701	Starter Handle
14	590760	Spring Clip

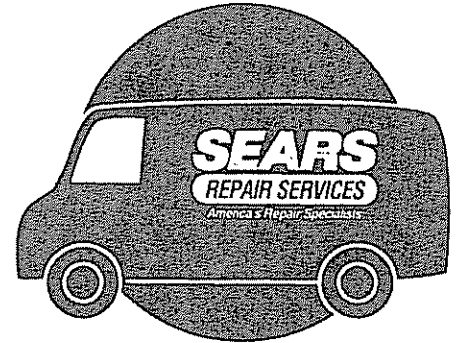




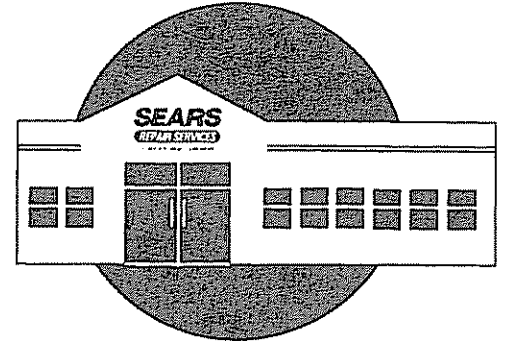
For the repair or replacement parts you need delivered directly to your home  
Call 7 am - 7 pm, 7 days a week  
**1-800-366-PART**  
**(1-800-366-7278)**  
Para ordenar piezas con entrega a domicilio – 1-800-659-7084



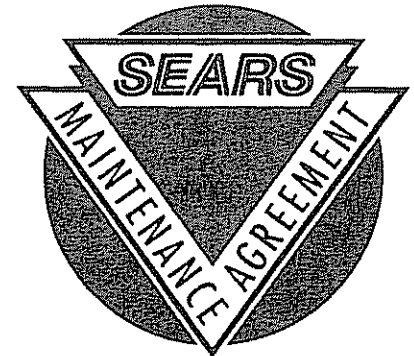
For in-house major brand repair service  
Call 24 hours a day, 7 days a week  
**1-800-4-REPAIR**  
**(1-800-473-7274)**  
Para pedir servicio de reparación a domicilio – 1-800-676-5811



For the location of a Sears Parts and Repair Center in your area  
Call 24 hours a day, 7 days a week  
**1-800-488-1222**



For information on purchasing a Sears Maintenance Agreement or to inquire about an existing Agreement  
Call 9 am – 5 pm, Monday–Saturday  
**1-800-827-6655**



When requesting service or ordering parts, always provide the following information:

- Product Type
- Part Number
- Model Number
- Part Description

