



Oasis
Steam

Electric Dryer

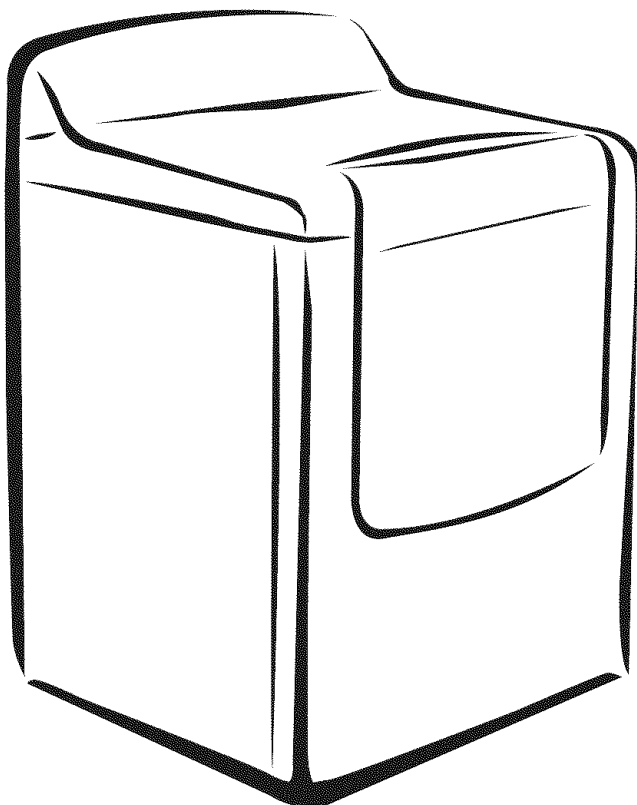
Use & Care Guide

Secadora eléctrica

Manual de uso y cuidado

Models/Modelos **110.6808***, **6809***

* = color number/número de color



ENGLISH | ESPAÑOL

TABLE OF CONTENTS

PROTECTION AGREEMENTS	3	Starting Your Dryer	19
WARRANTY	3	Stopping, Pausing or Restarting	20
DRYER SAFETY	4	Drying and Cycle Tips	20
INSTALLATION INSTRUCTIONS	5	Status Lights	21
Tools and Parts	5	Cycles	21
Location Requirements	5	Modifiers	23
Electrical Requirements.....	6	Options	23
Electrical Connection	8	Cycle Signal	23
Venting Requirements	13	Changing Cycles, Modifiers and Options	24
Plan Vent System	14	Dryer Rack	24
Install Vent System	15	DRYER CARE	25
Install Leveling Legs	15	Cleaning the Dryer Location.....	25
Connect Vent.....	15	Cleaning the Lint Screen	25
Connect Inlet Hose.....	16	Cleaning the Dryer Interior.....	25
Level Dryer.....	16	Removing Accumulated Lint	26
Reverse Door Swing.....	17	Water Inlet Hoses	26
Complete Installation.....	18	Vacation, Storage and Moving Care	26
DRYER USE	19	Changing the Drum Light	26
		TROUBLESHOOTING	27
		SERVICE NUMBERS	BACK COVER

PROTECTION AGREEMENTS

Master Protection Agreements

Congratulations on making a smart purchase. Your new Kenmore® product is designed and manufactured for years of dependable operation. But like all products, it may require preventive maintenance or repair from time to time. That's when having a Master Protection Agreement can save you money and aggravation.

The Master Protection Agreement also helps extend the life of your new product. Here's what the Agreement* includes:

- ✓ **Parts and labor** needed to help keep products operating properly **under normal use**, not just defects. Our coverage goes **well beyond the product warranty**. No deductibles, no functional failure excluded from coverage— **real protection**.
- ✓ **Expert service** by a force of more than 10,000 authorized **Sears service technicians**, which means someone you can trust will be working on your product.
- ✓ **Unlimited service calls and nationwide service**, as often as you want us, whenever you want us.
- ✓ **"No-lemon" guarantee** – replacement of your covered product if four or more product failures occur within twelve months.
- ✓ **Product replacement** if your covered product can't be fixed.
- ✓ **Annual Preventive Maintenance Check** at your request – no extra charge.

- ✓ **Fast help by phone** – we call it **Rapid Resolution** – phone support from a Sears representative on all products. Think of us as a "talking owner's manual."
- ✓ **Power surge protection** against electrical damage due to power fluctuations.
- ✓ **\$250 Food Loss Protection** annually for any food spoilage that is the result of mechanical failure of any covered refrigerator or freezer.
- ✓ **Rental reimbursement** if repair of your covered product takes longer than promised.
- ✓ **10% discount** off the regular price of any non-covered repair service and related installed parts.

Once you purchase the Agreement, a simple phone call is all that it takes for you to schedule service. You can call anytime day or night, or schedule a service appointment online.

The Master Protection Agreement is a risk free purchase. If you cancel for any reason during the product warranty period, we will provide a full refund. Or, a prorated refund anytime after the product warranty period expires. Purchase your Master Protection Agreement today!

Some limitations and exclusions apply. For prices and additional information in the U.S.A. call 1-800-827-6655.

***Coverage in Canada varies on some items. For full details call Sears Canada at 1-800-361-6665.**

Sears Installation Service

For Sears professional installation of home appliances, garage door openers, water heaters, and other major home items, in the U.S.A. or Canada call **1-800-4-MY-HOME®**.

ENGLISH

KENMORE ELITE® APPLIANCE WARRANTY

ONE YEAR LIMITED WARRANTY

When installed, operated and maintained according to all instructions supplied with the product, if this appliance fails due to a defect in material or workmanship within one year from the date of purchase, call 1-800-4-MY-HOME® to arrange for free repair.

If this appliance is used for other than private family purposes, this warranty applies for only 90 days from the date of purchase.

THIS WARRANTY COVERS ONLY DEFECTS IN MATERIAL AND WORKMANSHIP. SEARS WILL NOT PAY FOR:

1. Expendable items that can wear out from normal use, including but not limited to filters, belts, light bulbs, and bags.
2. A service technician to instruct the user in correct product installation, operation or maintenance.
3. A service technician to clean or maintain this product.
4. Damage to or failure of this product if it is not installed, operated or maintained according to all instructions supplied with the product.
5. Damage to or failure of this product resulting from accident, abuse, misuse or use for other than its intended purpose.
6. Damage to or failure of this product caused by the use of detergents, cleaners, chemicals or utensils other than those recommended in all instructions supplied with the product.
7. Damage to or failure of parts or systems resulting from unauthorized modifications made to this product.

DISCLAIMER OF IMPLIED WARRANTIES; LIMITATION OF REMEDIES

Customer's sole and exclusive remedy under this limited warranty shall be product repair as provided herein. Implied warranties, including warranties of merchantability or fitness for a particular purpose, are limited to one year or the shortest period allowed by law. Sears shall not be liable for incidental or consequential damages. Some states and provinces do not allow the exclusion or limitation of incidental or consequential damages, or limitations on the duration of implied warranties of merchantability or fitness, so these exclusions or limitations may not apply to you.

This warranty applies only while this appliance is used in the United States and Canada.

This warranty gives you specific legal rights, and you may also have other rights which vary from state to state.

Sears, Roebuck and Co.
Dept. 817WA, Hoffman Estates, IL 60179

Sears Canada Inc.
Toronto, Ontario, Canada M5B 2B8

DRYER SAFETY

Your safety and the safety of others are very important.

We have provided many important safety messages in this manual and on your appliance. Always read and obey all safety messages.



This is the safety alert symbol.

This symbol alerts you to potential hazards that can kill or hurt you and others.

All safety messages will follow the safety alert symbol and either the word "DANGER" or "WARNING."

These words mean:

⚠ DANGER

You can be killed or seriously injured if you don't immediately follow instructions.

⚠ WARNING

You can be killed or seriously injured if you don't follow instructions.

All safety messages will tell you what the potential hazard is, tell you how to reduce the chance of injury, and tell you what can happen if the instructions are not followed.

IMPORTANT SAFETY INSTRUCTIONS

WARNING: To reduce the risk of fire, electric shock, or injury to persons when using the dryer, follow basic precautions, including the following:

- Read all instructions before using the dryer.
- Do not place items exposed to cooking oils in your dryer. Items contaminated with cooking oils may contribute to a chemical reaction that could cause a load to catch fire.
- Do not dry articles that have been previously cleaned in, washed in, soaked in, or spotted with gasoline, dry-cleaning solvents, or other flammable or explosive substances as they give off vapors that could ignite or explode.
- Do not allow children to play on or in the dryer. Close supervision of children is necessary when the dryer is used near children.
- Before the dryer is removed from service or discarded, remove the door to the drying compartment.
- Do not reach into the dryer if the drum is moving.
- Do not install or store the dryer where it will be exposed to the weather.
- Do not tamper with controls.
- Do not repair or replace any part of the dryer or attempt any servicing unless specifically recommended in this Use and Care Guide or in published user-repair instructions that you understand and have the skills to carry out.
- Do not use fabric softeners or products to eliminate static unless recommended by the manufacturer of the fabric softener or product.
- Do not use heat to dry articles containing foam rubber or similarly textured rubber-like materials.
- Clean lint screen before or after each load.
- Keep area around the exhaust opening and adjacent surrounding areas free from the accumulation of lint, dust, and dirt.
- The interior of the dryer and exhaust vent should be cleaned periodically by qualified service personnel.
- See installation instructions for grounding requirements.

SAVE THESE INSTRUCTIONS

INSTALLATION INSTRUCTIONS

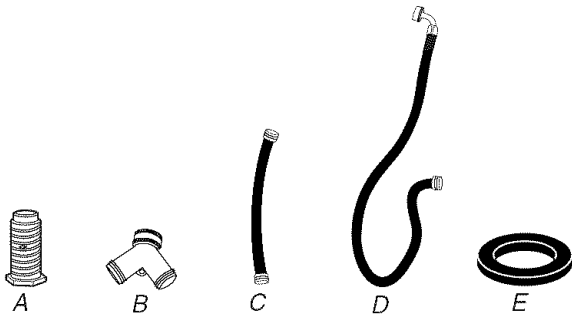
Tools and Parts

Gather the required tools and parts before starting installation. Read and follow the instructions provided with any tools listed here.

- Flat-blade screwdriver
- #2 Phillips screwdriver
- Adjustable wrench that opens to 1" (2.5 cm) or hex-head socket wrench (for adjusting dryer feet)
- Wire stripper (for direct wire installations)
- Tin snips (new vent installations)
- Level
- Vent clamps
- Caulking gun and compound (for installing new exhaust vent)
- Tape measure

Parts supplied:

Remove parts package from dryer drum. Check that all parts were included.



- A. Leveling legs (4)
- B. "Y" connector
- C. Short inlet hose
- D. Inlet hose with right-angle connector
- E. Rubber washer

Parts needed:

Check local codes, check existing electrical supply and venting and see "Electrical Requirements" and "Venting Requirements" before purchasing parts.

Mobile home installations require metal exhaust system hardware available for purchase from your local Sears store or Sears Service Center. For further information, please call **1-800-4-MY-HOME® (1-800-469-4663)**.

If using a power supply cord:

Use a UL listed power supply cord kit marked for use with clothes dryers. The kit should contain:

- A UL listed 30-amp power supply cord, rated 120/240 volt minimum. The cord should be type SRD or SRDT and be at least 4 ft (1.22 m) long. The wires that connect to the dryer must end in ring terminals or spade terminals with upturned ends.
- A UL listed strain relief.

Location Requirements

⚠ WARNING



Explosion Hazard

Keep flammable materials and vapors, such as gasoline, away from dryer.

Place dryer at least 18 inches (46 cm) above the floor for a garage installation.

Failure to do so can result in death, explosion, or fire.

You will need

- A location that allows for proper exhaust installation. See "Venting Requirements."
- A separate 30-amp circuit.
- If you are using a power supply cord, a grounded electrical outlet located within 2 ft (61 cm) of either side of the dryer. See "Electrical Requirements."
- A sturdy floor to support the total weight (dryer and load) of 200 lbs (90.7 kg). The combined weight of a companion appliance should also be considered.
- Cold water faucets located within 4 ft (1.2 m) of the water fill valves, and water pressure of 20-100 psi (138-690 kPa). You may use the water supply for your washer using the "Y" connector and short hose (if needed) which are provided.
- 20-100 psi (138-690 kPa) for best performance.
- A level floor with a maximum slope of 1" (2.5 cm) under entire dryer.

Do not operate your dryer at temperatures below 45°F (7°C). At lower temperatures, the dryer might not shut off at the end of an automatic cycle. Drying times can be extended.

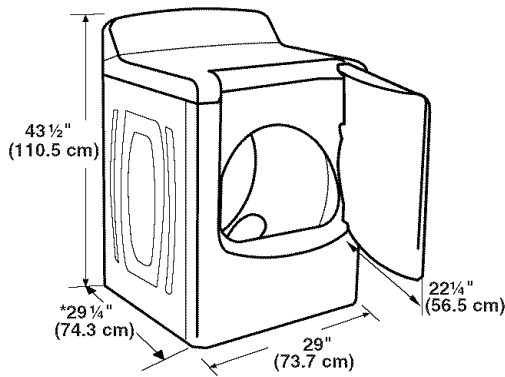
The dryer must not be installed or stored in an area where it will be exposed to water and/or weather.

Check code requirements. Some codes limit, or do not permit, installation of the dryer in garages, closets, mobile homes or sleeping quarters. Contact your local building inspector.

Installation Clearances

The location must be large enough to allow the dryer door to open fully.

Dryer Dimensions



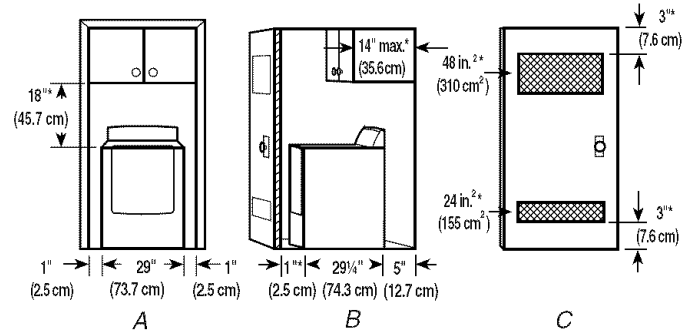
*Most installations require a minimum 5" (12.7 cm) clearance behind the dryer for the exhaust vent with elbow. See "Venting Requirements."

Installation spacing for recessed area or closet installation

The following spacing dimensions are recommended for this dryer. This dryer has been tested for spacing of 0" (0 cm) clearance on the sides and rear. Recommended spacing should be considered for the following reasons:

- Additional spacing should be considered for ease of installation and servicing.
- Additional clearances might be required for wall, door and floor moldings.
- Additional spacing should be considered on all sides of the dryer to reduce noise transfer.
- For closet installation, with a door, minimum ventilation openings in the top and bottom of the door are required. Louvered doors with equivalent ventilation openings are acceptable.

- Companion appliance spacing should also be considered.
- Additional spacing is required if you exhaust out the rear of the dryer to either the right or left side.



A. Recessed area
B. Side view - closet or confined area
C. Closet door with vents

*Required spacing

Mobile Home - Additional Installation Requirements

This dryer is suitable for mobile home installations. The installation must conform to the Manufactured Home Construction and Safety Standard, Title 24 CFR, Part 3280 (formerly the Federal Standard for Mobile Home Construction and Safety, Title 24, HUD Part 280).

Mobile home installations require:

- Metal exhaust system hardware, which is available for purchase from your local Sears store or Sears Service Center.
- Special provisions must be made in mobile homes to introduce outside air into the dryer. The opening (such as a nearby window) should be at least twice as large as the dryer exhaust opening.

Electrical Requirements

It is your responsibility

- To contact a qualified electrical installer.
- To be sure that the electrical connection is adequate and in conformance with the National Electrical Code, ANSI/NFPA 70-latest edition and all local codes and ordinances.
The National Electric Code requires a 4-wire supply connection for homes built after 1996, dryer circuits involved in remodeling after 1996, and all mobile home installations.
A copy of the above code standards can be obtained from: National Fire Protection Association, One Batterymarch Park, Quincy, MA 02269.

- To supply the required 3 or 4 wire, single phase, 120/240 volt, 60 Hz., AC only electrical supply (or 3 or 4 wire, 120/208 volt electrical supply, if specified on the serial/rating plate) on a separate 30-amp circuit, fused on both sides of the line. A time-delay fuse or circuit breaker is recommended. Connect to an individual branch circuit. Do not have a fuse in the neutral or grounding circuit.
- Do not use an extension cord.
- If codes permit and a separate ground wire is used, it is recommended that a qualified electrician determine that the ground path is adequate.

Electrical Connection

To properly install your dryer, you must determine the type of electrical connection you will be using and follow the instructions provided for it here.

- If local codes do not permit the connection of a neutral ground wire to the neutral wire, see "Optional 3-wire connection" in the "Electrical Connection" section.
- This dryer is manufactured ready to install with a 3-wire electrical supply connection. The neutral ground wire is permanently connected to the neutral conductor (white wire) within the dryer. If the dryer is installed with a 4-wire electrical supply connection, the neutral ground wire must be removed from the external ground conductor screw (green screw), and secured under the neutral terminal (center or white wire) of the terminal block. When the neutral ground wire is secured under the neutral terminal (center or white wire) of the terminal block, the dryer cabinet is isolated from the neutral conductor.
- A 4-wire power supply connection must be used when the appliance is installed in a location where grounding through the neutral conductor is prohibited. Grounding through the neutral is prohibited for (1) new branch-circuit installations, (2) mobile homes, (3) recreational vehicles, and (4) areas where local codes prohibit grounding through the neutral conductors.

If using a power supply cord:

Use a UL listed power supply cord kit marked for use with clothes dryers. The kit should contain:

- A UL listed 30-amp power supply cord, rated 120/240 volt minimum. The cord should be type SRD or SRDT and be at least 4 ft (1.22 m) long. The wires that connect to the dryer must end in ring terminals or spade terminals with upturned ends.
- A UL listed strain relief.

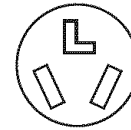
If your outlet looks like this:



4-wire receptacle (14-30R)

Then choose a 4-wire power supply cord with ring or spade terminals and UL listed strain relief. The 4-wire power supply cord, at least 4 ft (1.22 m) long, must have four 10-gauge copper wires and match a 4-wire receptacle of NEMA Type 14-30R. The ground wire (ground conductor) may be either green or bare. The neutral conductor must be identified by a white cover.

If your outlet looks like this:



3-wire receptacle (10-30R)

Then choose a 3-wire power supply cord with ring or spade terminals and UL listed strain relief. The 3-wire power supply cord, at least 4 ft (1.22 m) long, must have three 10-gauge copper wires and match a 3-wire receptacle of NEMA Type 10-30R.

If connecting by direct wire:

Power supply cable must match power supply (4-wire or 3-wire) and be:

- Flexible armored cable or nonmetallic sheathed copper cable (with ground wire), protected with flexible metallic conduit. All current-carrying wires must be insulated.
- 10-gauge solid copper wire (do not use aluminum).
- At least 5 ft (1.52 m) long.

GROUNDING INSTRUCTIONS

- For a grounded, cord-connected dryer:
This dryer must be grounded. In the event of malfunction or breakdown, grounding will reduce the risk of electric shock by providing a path of least resistance for electric current. This dryer uses a cord having an equipment-grounding conductor and a grounding plug. The plug must be plugged into an appropriate outlet that is properly installed and grounded in accordance with all local codes and ordinances.
- For a permanently connected dryer:
This dryer must be connected to a grounded metal, permanent wiring system, or an equipment-grounding conductor must be run with the circuit conductors and connected to the equipment-grounding terminal or lead on the dryer.

WARNING: Improper connection of the equipment-grounding conductor can result in a risk of electric shock. Check with a qualified electrician or service representative or personnel if you are in doubt as to whether the dryer is properly grounded. Do not modify the plug on the power supply cord: if it will not fit the outlet, have a proper outlet installed by a qualified electrician.

SAVE THESE INSTRUCTIONS

Power Supply Cord

⚠ WARNING



Fire Hazard

- Use a new UL listed 30 amp power supply cord.
- Use a UL listed strain relief.
- Disconnect power before making electrical connections.
- Connect neutral wire (white or center wire) to center terminal (silver).
- Ground wire (green or bare wire) must be connected to green ground connector.
- Connect remaining 2 supply wires to remaining 2 terminals (gold).
- Securely tighten all electrical connections.
- Failure to do so can result in death, fire, or electrical shock.

Direct Wire

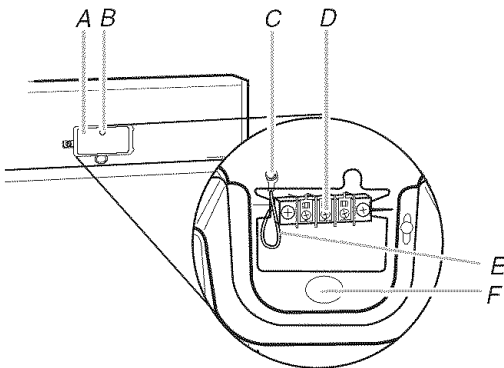
⚠ WARNING



Fire Hazard

- Use 10 gauge solid copper wire.
- Use a UL listed strain relief.
- Disconnect power before making electrical connections.
- Connect neutral wire (white or center wire) to center terminal (silver).
- Ground wire (green or bare wire) must be connected to green ground connector.
- Connect remaining 2 supply wires to remaining 2 terminals (gold).
- Securely tighten all electrical connections.
- Failure to do so can result in death, fire, or electrical shock.

1. Disconnect power.
2. Remove the hold-down screw and terminal block cover.

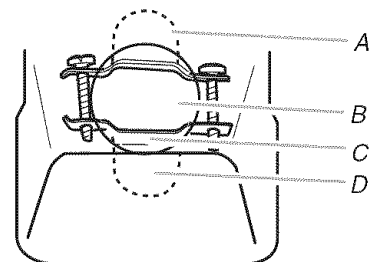


- A. Terminal block cover
- B. Hold-down screw
- C. External ground conductor screw
- D. Center, silver-colored terminal block screw
- E. Neutral ground wire
- F. Hole below terminal block opening

3. Install strain relief.

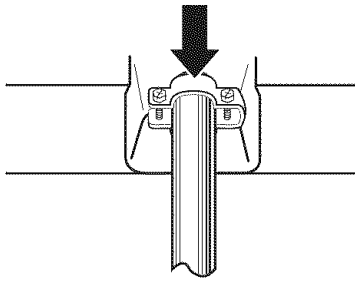
Style 1: Power supply cord strain relief

- Remove the screws from a 3/4" (1.9 cm) UL listed strain relief (UL marking on strain relief). Put the tabs of the two clamp sections into the hole below the terminal block opening so that one tab is pointing up and the other is pointing down, and hold in place. Tighten strain relief screws just enough to hold the two clamp sections together.



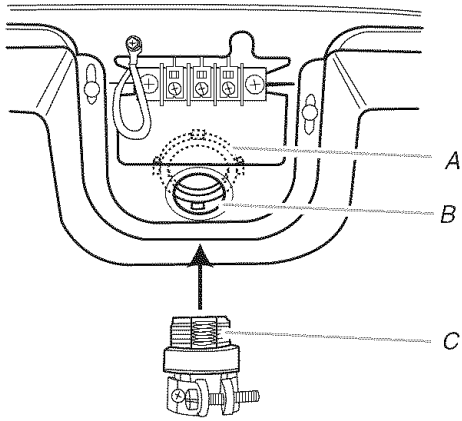
- A. Strain relief tab pointing up
- B. Hole below terminal block opening
- C. Clamp section
- D. Strain relief tab pointing down

- Put power supply cord through the strain relief. Be sure that the wire insulation on the power supply cord is inside the strain relief. The strain relief should have a tight fit with the dryer cabinet and be in a horizontal position. Do not further tighten strain relief screws at this point.



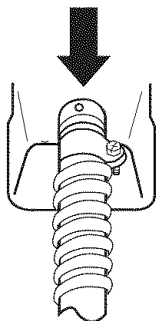
Style 2: Direct wire strain relief

- Unscrew the removable conduit connector and any screws from a 3/4" (1.9 cm) UL listed strain relief (UL marking on strain relief). Put the threaded section of the strain relief through the hole below the terminal block opening. Reaching inside the terminal block opening, screw the removable conduit connector onto the strain relief threads.



A. Removable conduit connector
B. Hole below terminal block opening
C. Strain relief threads

- Put direct wire cable through the strain relief. The strain relief should have a tight fit with the dryer cabinet and be in a horizontal position. Tighten strain relief screw against the direct wire cable.


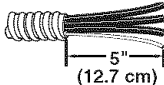

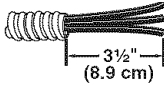


- Now complete installation following instructions for your type of electrical connection:

4-wire (recommended)

3-wire (if 4-wire is not available)

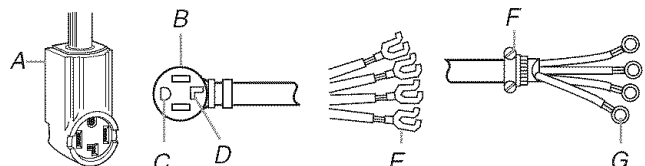
Electrical Connection Options

If your home has:	And you will be connecting to:	Go to Section:
4-wire receptacle (NEMA type 14-30R) 	A UL listed, 120/240-volt minimum, 30-amp, dryer power supply cord*	4-wire connection: Power Supply Cord
4-wire direct 	A fused disconnect or circuit breaker box*	4-wire connection: Direct Wire
3-wire receptacle (NEMA type 10-30R) 	A UL listed, 120/240-volt minimum, 30-amp, dryer power supply cord*	3-wire connection: Power Supply Cord
3-wire direct 	A fused disconnect or circuit breaker box*	3-wire connection: Direct Wire

*If local codes do not permit the connection of a cabinet-ground conductor to the neutral wire, go to "Optional 3-wire connection" section.

4-wire connection: Power supply cord

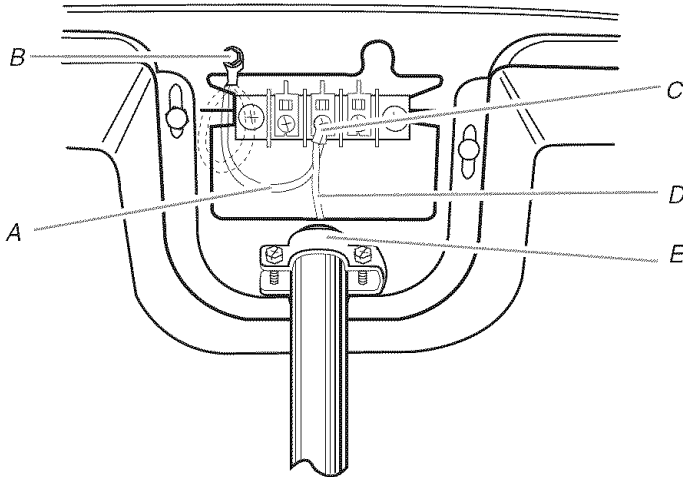
IMPORTANT: A 4-wire connection is required for mobile homes and where local codes do not permit the use of 3-wire connections.



A. 4-wire receptacle (NEMA type 14-30R)
B. 4-prong plug
C. Ground prong
D. Neutral prong
E. Spade terminals with upturned ends
F. 3/4" (1.9 cm) UL listed strain relief
G. Ring terminals

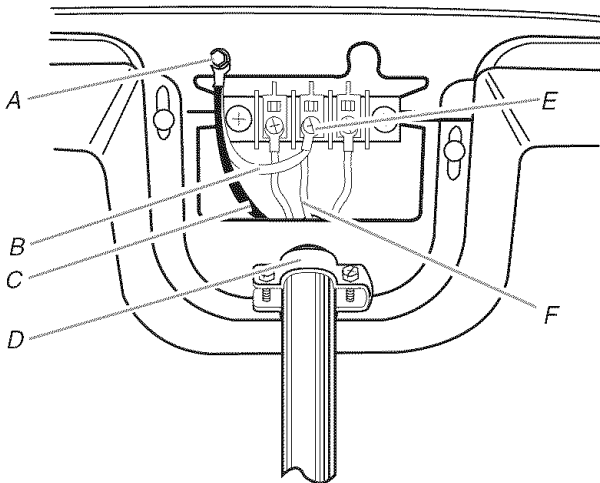
- Remove center silver-colored terminal block screw.

- Remove neutral ground wire from external ground conductor screw. Connect neutral ground wire and the neutral wire (white or center wire) of power supply cord under center, silver-colored terminal block screw. Tighten screw.



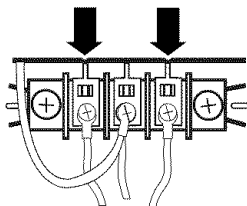
- A. Neutral ground wire
- B. External ground conductor screw - Dotted line shows position of NEUTRAL ground wire before being moved to center silver-colored terminal block screw.
- C. Center silver-colored terminal block screw
- D. Neutral wire (white or center wire)
- E. $\frac{3}{4}$ " (1.9 cm) UL listed strain relief

- Connect ground wire (green or bare) of power supply cord to external ground conductor screw. Tighten screw.



- A. External ground conductor screw
- B. Neutral ground wire
- C. Ground wire (green or bare) of power supply cord
- D. $\frac{3}{4}$ " (1.9 cm) UL listed strain relief
- E. Center silver-colored terminal block screw
- F. Neutral wire (white or center wire)

- Connect the other wires to outer terminal block screws. Tighten screws.



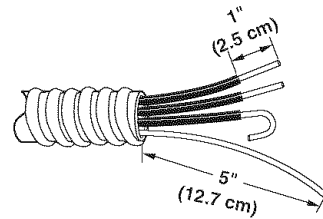
- Tighten strain relief screws.
- Insert tab of terminal block cover into slot of dryer rear panel. Secure cover with hold-down screw.
- You have completed your electrical connection. Now go to "Venting Requirements."

4-wire connection: Direct Wire

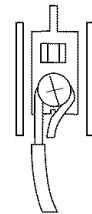
IMPORTANT: A 4-wire connection is required for mobile homes and where local codes do not permit the use of 3 wire connections.

Direct wire cable must have 5 ft (1.52 m) of extra length so dryer can be moved if needed.

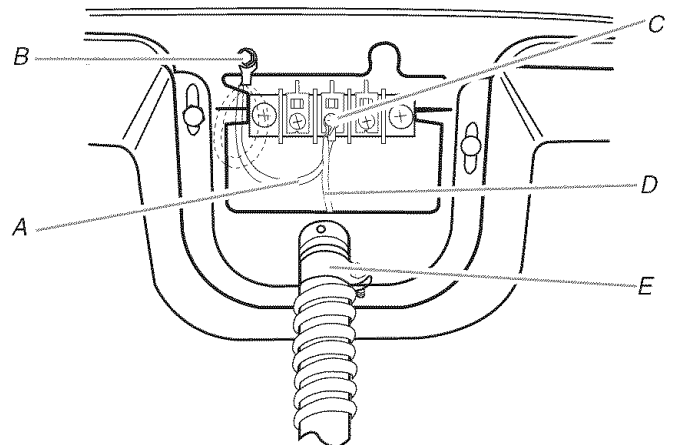
Strip 5" (12.7 cm) of outer covering from end of cable, leaving bare ground wire at 5" (12.7 cm). Cut $1\frac{1}{2}$ " (3.8 cm) from 3 remaining wires. Strip insulation back 1" (2.5 cm). Shape ends of wires into a hook shape.



When connecting to the terminal block, place the hooked end of the wire under the screw of the terminal block (hook facing right), squeeze hooked end together and tighten screw, as shown.

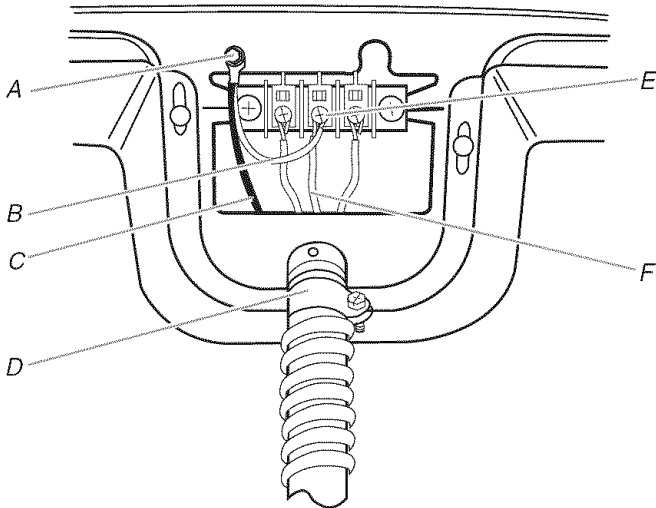


- Remove center silver-colored terminal block screw.
- Remove neutral ground wire from external ground conductor screw. Connect neutral ground wire and place the hooked end (hook facing right) of the neutral wire (white or center wire) of direct wire cable under the center screw of the terminal block. Squeeze hooked ends together. Tighten screw.



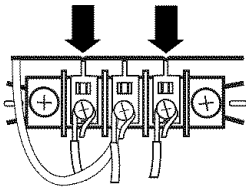
- A. Neutral ground wire
- B. External ground conductor screw - Dotted line shows position of NEUTRAL ground wire before being moved to center silver-colored terminal block screw.
- C. Center silver-colored terminal block screw
- D. Neutral wire (white or center wire)
- E. $\frac{3}{4}$ " (1.9 cm) UL listed strain relief

3. Connect ground wire (green or bare) of direct wire cable to external ground conductor screw. Tighten screw.



- A. External ground conductor screw
- B. Neutral ground wire
- C. Ground wire (green or bare) of power supply cord
- D. $\frac{3}{4}$ " (1.9 cm) UL listed strain relief
- E. Center silver-colored terminal block screw
- F. Neutral wire (white or center wire)

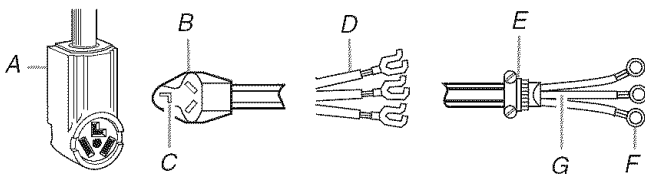
4. Place the hooked ends of the other direct wire cable wires under the outer terminal block screws (hooks facing right). Squeeze hooked ends together. Tighten screws.



5. Tighten strain relief screw.
6. Insert tab of terminal block cover into slot of dryer rear panel. Secure cover with hold-down screw.
7. You have completed your electrical connection. Now go to "Venting Requirements."

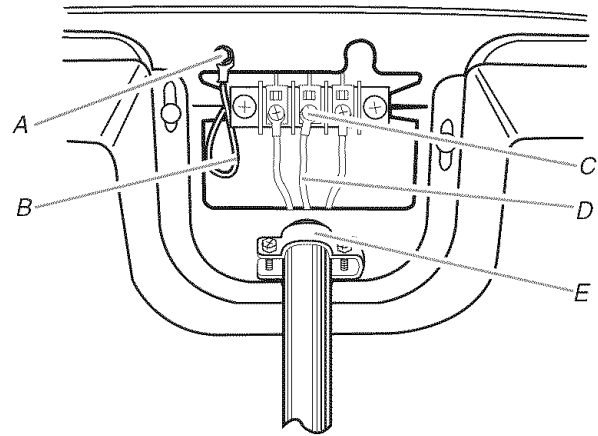
3-wire connection: Power supply cord

Use where local codes permit connecting cabinet-ground conductor to neutral wire.



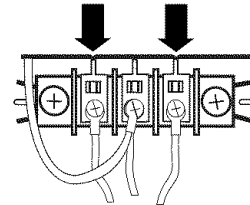
- A. 3-wire receptacle (NEMA type 10-30R)
- B. 3-wire plug
- C. Neutral prong
- D. Spade terminals with upturned ends
- E. $\frac{3}{4}$ " (1.9 cm) UL listed strain relief
- F. Ring terminals
- G. Neutral wire (white or center wire)

1. Loosen or remove center silver-colored terminal block screw.
2. Connect neutral wire (white or center wire) of power supply cord to the center, silver-colored terminal screw of the terminal block. Tighten screw.



- A. External ground conductor screw
- B. Neutral ground wire
- C. Center silver-colored terminal block screw
- D. Neutral wire (white or center wire)
- E. $\frac{3}{4}$ " (1.9 cm) UL listed strain relief

3. Connect the other wires to outer terminal block screws. Tighten screws.



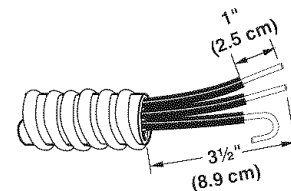
4. Tighten strain relief screws.
5. Insert tab of terminal block cover into slot of dryer rear panel. Secure cover with hold-down screw.
6. You have completed your electrical connection. Now go to "Venting Requirements."

3-wire connection: Direct Wire

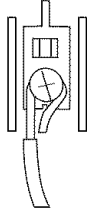
Use where local codes permit connecting cabinet-ground conductor to neutral wire.

Direct wire cable must have 5 ft (1.52 m) of extra length so dryer can be moved if needed.

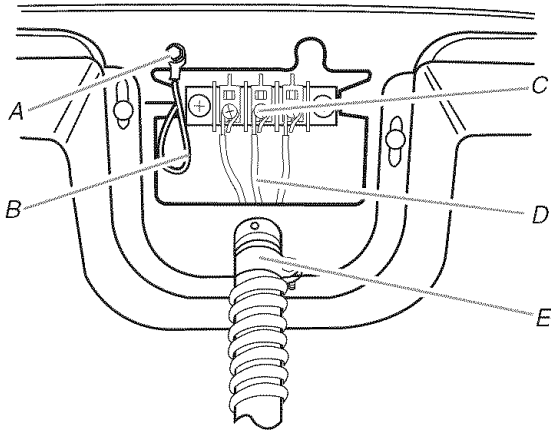
Strip $3\frac{1}{2}$ " (8.9 cm) of outer covering from end of cable. Strip insulation back 1" (2.5 cm). If using 3-wire cable with ground wire, cut bare wire even with outer covering. Shape ends of wires into a hook shape.



When connecting to the terminal block, place the hooked end of the wire under the screw of the terminal block (hook facing right), squeeze hooked end together and tighten screw, as shown.

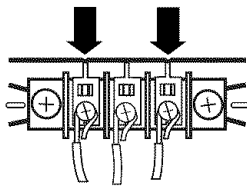


1. Loosen or remove center silver-colored terminal block screw.
2. Place the hooked end of the neutral wire (white or center wire) of direct wire cable under the center screw of terminal block (hook facing right). Squeeze hooked end together. Tighten screw.



A. External ground conductor screw
 B. Neutral ground wire
 C. Center silver-colored terminal block screw
 D. Neutral wire (white or center wire)
 E. $\frac{3}{4}$ " (1.9 cm) UL listed strain relief

3. Place the hooked ends of the other direct wire cable wires under the outer terminal block screws (hooks facing right). Squeeze hooked ends together. Tighten screws.

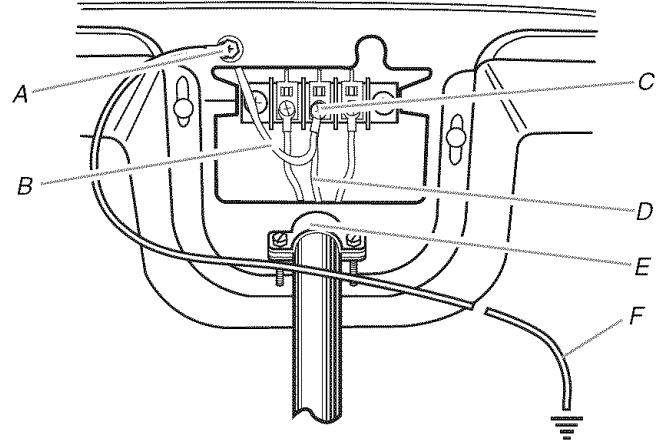


4. Tighten strain relief screw.
5. Insert tab of terminal block cover into slot of dryer rear panel. Secure cover with hold-down screw.
6. You have completed your electrical connection. Now go to "Venting Requirements."

Optional 3-wire connection

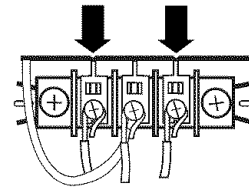
Use for direct wire or power supply cord where local codes do not permit connecting cabinet-ground conductor to neutral wire.

1. Remove center silver-colored terminal block screw.
2. Remove neutral ground wire from external ground conductor screw. Connect neutral ground wire and the neutral wire (white or center wire) of power supply cord/cable under center, silver-colored terminal block screw. Tighten screw.



A. External ground conductor screw
 B. Neutral ground wire
 C. Center silver-colored terminal block screw
 D. Neutral wire (white or center wire)
 E. $\frac{3}{4}$ " (1.9 cm) UL listed strain relief
 F. Grounding path determined by a qualified electrician

3. Connect the other wires to outer terminal block screws. Tighten screws.



4. Tighten strain relief screws.
5. Insert tab of terminal block cover into slot of dryer rear panel. Secure cover with hold-down screw.
6. Connect a separate copper ground wire from the external ground conductor screw to an adequate ground.

Venting Requirements

⚠ WARNING



Fire Hazard

Use a heavy metal vent.

Do not use a plastic vent.

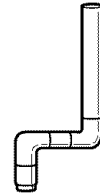
Do not use a metal foil vent.

Failure to follow these instructions can result in death or fire.

- Remove excess flexible metal vent to avoid sagging and kinking that may result in reduced airflow and poor performance.
- Do not install flexible metal vent in enclosed walls, ceilings or floors.

Elbows

45° elbows provide better airflow than 90° elbows.



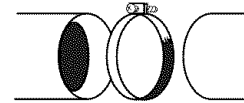
Good



Better

Clamps

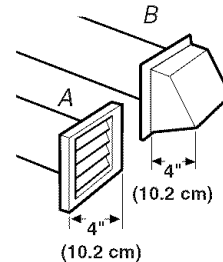
- Use clamps to seal all joints.
- Exhaust vent must not be connected or secured with screws or other fastening devices that extend into the interior of the duct. Do not use duct tape.



Clamp

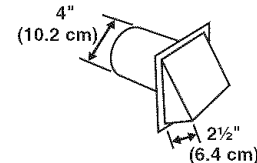
Exhaust

Recommended hood styles are shown here.



A. Louvered hood style
B. Box hood style

The angled hood style (shown here) is acceptable.



- An exhaust hood should cap the vent to keep rodents and insects from entering the home.
- Exhaust hood must be at least 12" (30.5 cm) from the ground or any object that may be in the path of the exhaust (such as flowers, rocks or bushes, snow line, etc.).
- Do not use an exhaust hood with a magnetic latch.

Improper venting can cause moisture and lint to collect indoors, which may result in:

- Moisture damage to woodwork, furniture, paint, wallpaper, carpets, etc.
- Housecleaning problems and health problems.

WARNING: To reduce the risk of fire, this dryer MUST BE EXHAUSTED OUTDOORS.

IMPORTANT: Observe all governing codes and ordinances.

The dryer exhaust must not be connected into any gas vent, chimney, wall, ceiling or a concealed space of a building.

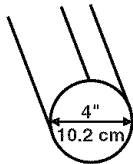
If using an existing vent system

- Clean lint from the entire length of the system and make sure exhaust hood is not plugged with lint.
- Replace any plastic or metal foil vent with rigid or flexible heavy metal vent.
- Review Vent system chart. Modify existing vent system if necessary to achieve the best drying performance.

If this is a new vent system

Vent material

- Use a heavy metal vent. Do not use plastic or metal foil vent.
- 4" (10.2 cm) heavy metal exhaust vent and clamps must be used. DURASAFE™ venting products are recommended.



4" (10.2 cm) heavy metal exhaust vent

DURASAFE™ vent products can be purchased from your dealer. For further information, please call 1-800-4-MY-HOME® (1-800-469-4663) or visit our website at www.sears.com or www.sears.ca.

Rigid metal vent

- For best drying performance, rigid metal vents are recommended.
- Rigid metal vent is recommended to avoid crushing and kinking.

Flexible metal vent

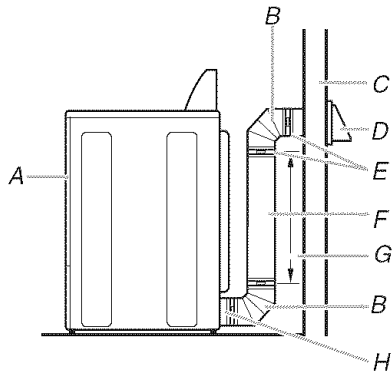
- Flexible metal vents are acceptable only if accessible for cleaning.
- Flexible metal vent must be fully extended and supported when the dryer is in its final location.

Plan Vent System

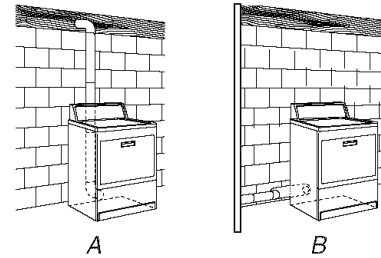
Choose your exhaust installation type

Recommended exhaust installations

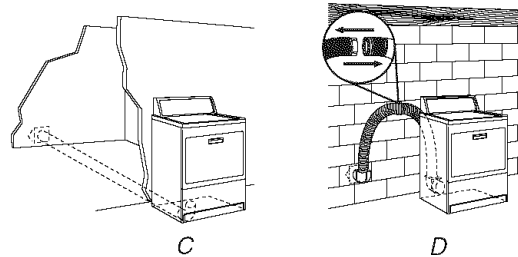
Typical installations vent the dryer from the rear of the dryer. Other installations are possible.



- | | |
|-----------------|--|
| A. Dryer | E. Clamps |
| B. Elbow | F. Rigid metal or flexible metal vent |
| C. Wall | G. Vent length necessary to connect elbows |
| D. Exhaust hood | H. Exhaust outlet |



- A. Standard rear offset exhaust installation
 B. Rear exhaust installation to right side (Part Number 8212504) or left side (Part Numbers 8544761 and 8212504).




- C. Bottom exhaust installation
 D. Over-the-top installation (also available with one offset elbow)

Optional exhaust installations

Venting systems come in many varieties. Select the type best for your installation.

⚠ WARNING



Fire Hazard

Cover unused exhaust hole with the following kit:
8212503

Contact your local dealer.

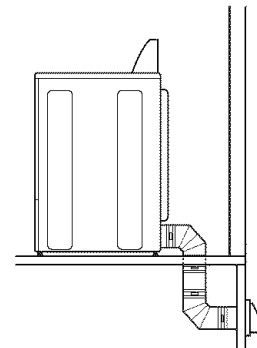
Failure to follow these instructions can result in death, fire, electrical shock, or serious injury.

NOTE: The following kits for alternate installations are available for purchase. For further information, please call **1-800-4-MY-HOME® (1-800-469-4663)**.

- Rear exhaust installation to right side:
Part Number 8212504
- Rear exhaust installation to left side:
Part Number 8544761 and 8212504
- Bottom exhaust installation:
Part Number 8212503
- Over-the-top installation:
Part Number 26-49900

Special provisions for mobile home installations

The exhaust vent must be securely fastened to a noncombustible portion of the mobile home structure and must not terminate beneath the mobile home. Terminate the exhaust vent outside.



This dryer can be converted to exhaust out the bottom. If you prefer, you may contact your local dealer to have the dryer converted. This dryer can also be exhausted from the rear to either the right or left side. Optional kits for these exhaust installations are needed. Refer to the manufacturer's instructions for kit installation instructions.

Determine vent path

- Select the route that will provide the straightest and most direct path outdoors.
- Plan the installation to use the fewest number of elbows and turns.
- When using elbows or making turns, allow as much room as possible.
- Bend vent gradually to avoid kinking.
- Use the fewest 90° turns possible.

Determine vent length and elbows needed for best drying performance

- Use the following Vent system chart to determine type of vent material and hood combinations acceptable to use.

NOTE: Do not use vent runs longer than those specified in the Vent system chart. Exhaust systems longer than those specified will:

- Shorten the life of the dryer.
- Reduce performance, resulting in longer drying times and increased energy usage.

The Vent system chart provides venting requirements that will help to achieve the best drying performance.

Vent system chart

NOTE: Bottom exhaust performance is equivalent to adding two elbows. To determine maximum exhaust length, add two elbows to the chart.

NOTE: Performance of rear exhaust to either side of the dryer is equivalent to adding one elbow. To determine maximum exhaust length, add one elbow to the chart.

Number of 90° turns or elbows	Type of vent	Box or Louvered hoods	Angled hoods
0	Rigid metal	200 ft (61 m)	185 ft (56.4 m)
	Flexible metal	100 ft (30.5 m)	93 ft (28.2 m)
1	Rigid metal	190 ft (58 m)	175 ft (53.3 m)
	Flexible metal	95 ft (29 m)	88 ft (26.7 m)
2	Rigid metal	180 ft (55 m)	165 ft (50.3 m)
	Flexible metal	90 ft (27.4 m)	83 ft (25.1 m)
3	Rigid metal	170 ft (51.8 m)	155 ft (47.2 m)
	Flexible metal	85 ft (26 m)	78 ft (23.6 m)
4	Rigid metal	160 ft (48.8 m)	145 ft (44.2 m)
	Flexible metal	80 ft (24.4 m)	73 ft (22.1 m)

Install Vent System

1. Install exhaust hood. Use caulking compound to seal exterior wall opening around exhaust hood.
2. Connect vent to exhaust hood. Vent must fit inside exhaust hood. Secure vent to exhaust hood with 4" (10.2 cm) clamp.

3. Run vent to dryer location. Use the straightest path possible. See "Determine vent path" in "Plan Vent System." Avoid 90° turns. Use clamps to seal all joints. Do not use duct tape, screws or other fastening devices that extend into the interior of the vent to secure vent.

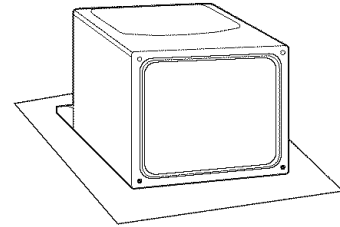
Install Leveling Legs

WARNING

Excessive Weight Hazard

**Use two or more people to move and install dryer.
Failure to do so can result in back or other injury.**

1. To protect the floor, use a large, flat piece of cardboard from the dryer carton. Place cardboard under the entire back edge of the dryer.
2. Firmly grasp the body of the dryer (not the top or console panel). Gently lay the dryer on the cardboard. See illustration.



3. Examine the leveling legs. Find the diamond marking.



4. Screw the legs into the leg holes by hand. Use a wrench to finish turning the legs until the diamond marking is no longer visible.
5. Place a carton corner post from dryer packaging under each of the 2 dryer back corners. Stand the dryer up. Slide the dryer on the corner posts until it is close to its final location. Leave enough room to connect the exhaust vent.

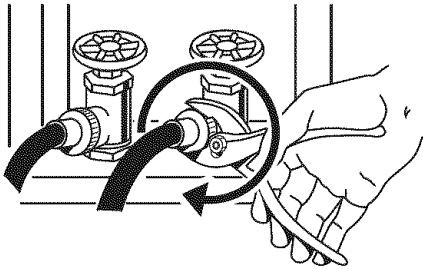
Connect Vent

1. Using a 4" (10.2 cm) clamp, connect vent to exhaust outlet in dryer. If connecting to existing vent, make sure the vent is clean. The dryer vent must fit over the dryer exhaust outlet and inside the exhaust hood. Check that the vent is secured to exhaust hood with a 4" (10.2 cm) clamp.
2. Move dryer into its final location. Do not crush or kink vent.
3. (On gas models) Check that there are no kinks in the flexible gas line.
4. Once the exhaust vent connection is made, remove the corner posts and cardboard.

Connect Inlet Hose

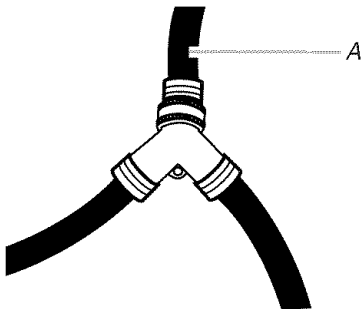
The dryer must be connected to the cold water faucet using the new inlet hoses. Do not use old hoses.

1. Turn cold water faucet off and remove washer inlet hose.
 2. Remove old rubber washer from inlet hose and replace with new rubber washer provided. If space permits, attach the brass female end of the "Y" connector to the cold water faucet.
- NOTE:** If "Y" connector can be attached directly to cold water faucet, go to Step 6. If "Y" connector cannot be attached directly to the cold water faucet, the short hose must be used. Continue with Step 3.
3. Attach short hose to cold water faucet. Screw on coupling by hand until it is seated on faucet.
 4. Using pliers, tighten the couplings with an additional two-thirds turn.



NOTE: Do not overtighten. Damage to the coupling can result.

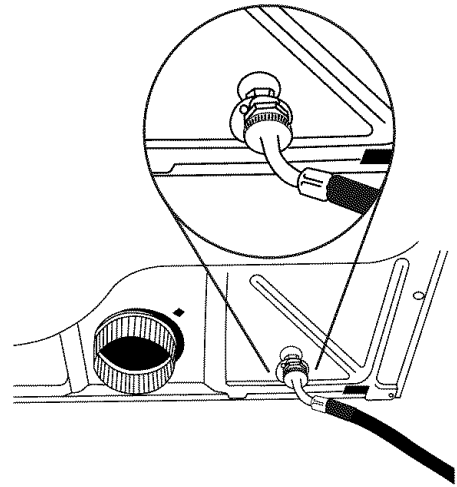
5. Attach "Y" connector to brass male end of small hose. Screw on coupling by hand until it is seated on connector.
6. Attach straight end of long hose to "Y" connector.
7. Attach washer cold inlet hose to other end of "Y" connector. Screw on coupling by hand until it is seated on connector.
8. Using pliers, tighten the couplings with an additional two-thirds turn.



A. Inlet to cold water

NOTE: Do not overtighten. Damage to the coupling can result.

9. Attach angled end of long hose to fill valve at bottom of dryer back panel. Screw on coupling by hand until it is seated on fill valve connector.
10. Using pliers, tighten the coupling with an additional two-thirds turn.

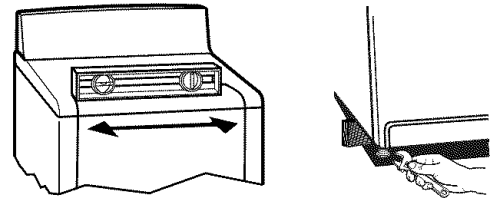


NOTE: Do not overtighten. Damage to the coupling can result.

11. Check that the water faucets are on.
12. Check for leaks around "Y" connector, faucet and hoses.

Level Dryer

Check the levelness of the dryer. Check levelness first side to side, then front to back.



If the dryer is not level, prop up the dryer using a wood block. Use a wrench to adjust the legs up or down and check again for levelness.

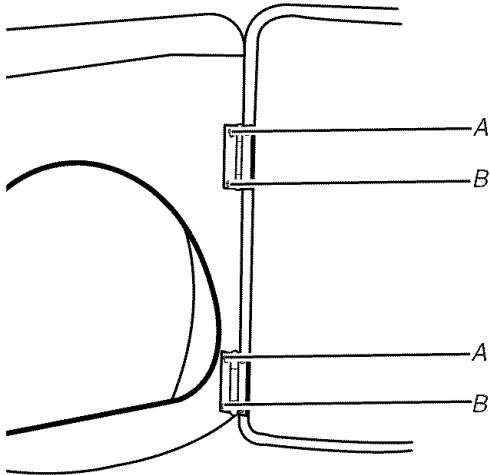
Reverse Door Swing

You can change your door swing from a right-side opening to a left-side opening, if desired.

1. Place a towel or soft cloth on top of the dryer or work space to protect the surface.

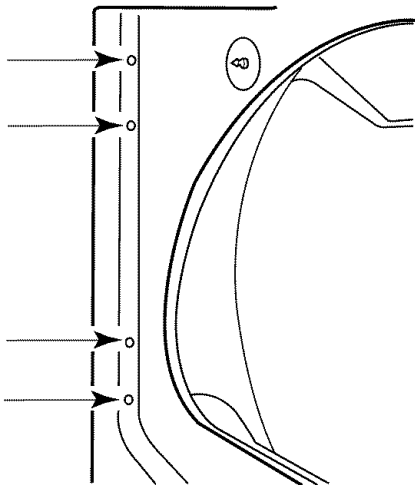
Remove the door assembly

1. Open the dryer door.
2. Remove the bottom screw from each of the 2 hinges that attach the dryer door to the front panel of the dryer.
3. Loosen the top screw from each of the 2 hinges in Step 2.



A. Loosen these screws.
B. Remove these screws.

4. Remove the dryer door and the hinges by lifting upward on the door. Lay the door on a flat, protected surface, with the inside of the door facing up. Remove remaining 2 loose screws from dryer front panel.
5. Remove the 4 plastic plugs located outside the dryer door opening.

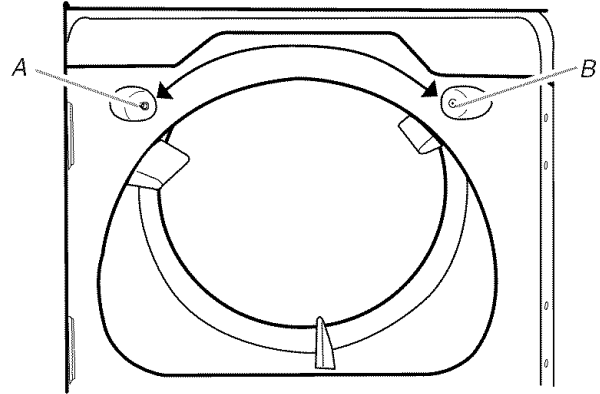


6. Install 4 plastic plugs into screw holes in the dryer left where the hinges were removed in Step 4.

Reverse the strike

1. Remove the door strike from the dryer door opening.

2. Remove the cosmetic screw opposite the door strike.



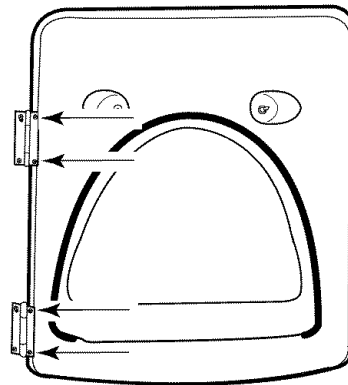
A. Door strike
B. Cosmetic screw

3. Reinstall the door strike and cosmetic screw on the opposite side of the dryer door opening from where they were removed.

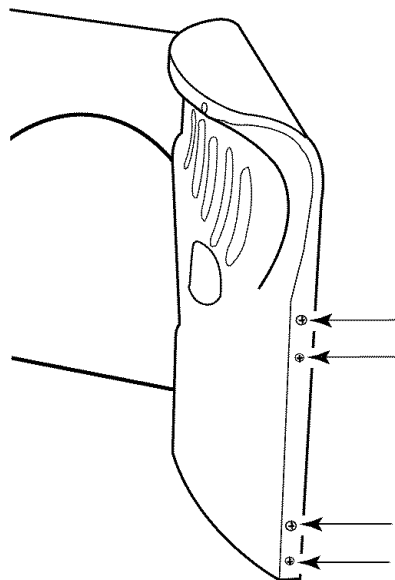
NOTE: Door strike and plugs must be on the same side of the dryer door opening.

Reinstall the door

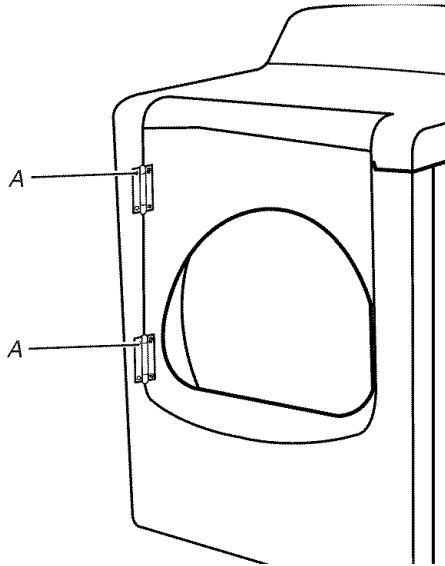
1. Remove the 4 screws and 2 hinges from the dryer door.
2. Replace the 4 screws in the same holes.



3. Remove the 4 screws from the opposite side of the door.

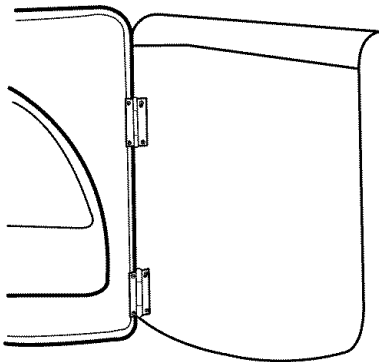


4. Install the 2 hinges to the front panel of the dryer using 4 screws. Use the non-slotted side to attach the hinge to the front panel.
5. Install screws in the top hinge holes in the door. Do not tighten screws. Leave approximately ¼" (5 mm) of screw exposed.



A. Install these screws first.

6. Hang door by placing screw heads into top slotted holes of hinges and slide door down. Align bottom screw holes in hinge and door. Install two bottom screws. Tighten all hinge screws.



7. Close door to engage door strike.

Complete Installation

1. Check that all parts are now installed. If there is an extra part, go back through the steps to see which step was skipped.
2. Check that you have all of your tools.
3. Dispose of/recycle all packaging materials.
4. Be sure the water faucets are on.
5. Check for leaks around "Y" connector, faucet and hoses.
6. Check the dryer's final location. Be sure the vent is not crushed or kinked.
7. Check that the dryer is level. See "Level Dryer."
8. For power supply cord installation, plug into an outlet. For direct wire installation, turn on power.
9. Remove any protective film or tape remaining on the dryer.

NOTE: Glass door models have a protective film on the window that should be removed.
10. Read "Dryer Use."
11. Wipe the dryer drum interior thoroughly with a damp cloth to remove any dust.
12. If you live in a hard water area, use of a water softener is recommended to control the buildup of scale through the water system in the dryer. Over time, the buildup of lime scale may clog different parts of the water system, which will reduce product performance. Excessive scale buildup may lead to the need for certain part replacement or repair.
13. Test dryer operation by selecting a Timed Dry heated cycle and starting the dryer. For this test, do not select the Air Only modifier.

If the dryer will not start, check the following:

- Controls are set in a running or "On" position.
- Start button has been pushed firmly.
- Dryer is plugged into an outlet and/or electrical supply is on.
- Household fuse is intact and tight, or circuit breaker has not tripped.
- Dryer door is closed.

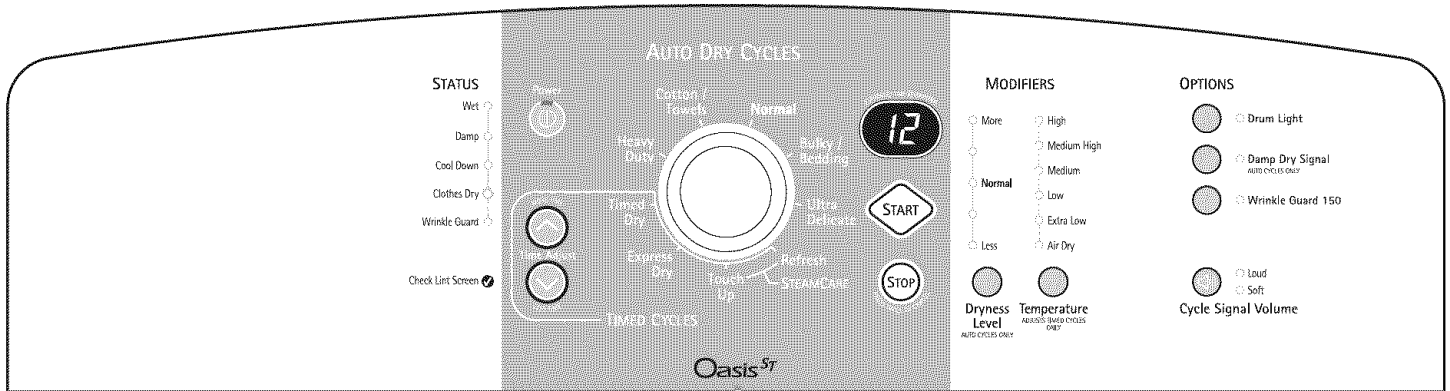
This dryer automatically runs an installation diagnostic routine at the start of its first cycle.

If you receive an "L2" code, there may be a problem with your home power supply keeping the dryer's heater from turning on. See "Troubleshooting."

If you receive an "AF" code, your dryer vent may be crushed or blocked. See "Troubleshooting."

NOTE: You may notice a burning odor when the dryer is first heated. This odor is common when the heating element is first used. The odor will go away.

DRYER USE



Starting Your Dryer

⚠ WARNING



Explosion Hazard

Keep flammable materials and vapors, such as gasoline, away from dryer.

Do not dry anything that has ever had anything flammable on it (even after washing).

Failure to follow these instructions can result in death, explosion, or fire.

⚠ WARNING



Fire Hazard

No washer can completely remove oil.

Do not dry anything that has ever had any type of oil on it (including cooking oils).

Items containing foam, rubber, or plastic must be dried on a clothesline or by using an Air Cycle.

Failure to follow these instructions can result in death or fire.

ENGLISH

WARNING: To reduce the risk of fire, electric shock, or injury to persons, read the IMPORTANT SAFETY INSTRUCTIONS before operating this appliance.

This manual covers several different models. Your dryer may not have all of the cycles and features described.

Follow these basic steps to start your dryer. Please refer to specific sections of this manual for more detailed information.

1. Clean lint screen before each load. See "Cleaning the Lint Screen."
2. Place laundry into dryer and shut door.
3. Press POWER.
4. Turn the cycle selector knob to the desired cycle. The preset settings for Auto Dry Cycles or Timed Cycles will illuminate. The estimated (Auto Dry Cycles) or actual (Timed Cycles) cycle time (in minutes) will show in the display.

NOTE: A default time is displayed when an Auto Dry Cycle is selected. During the first few minutes of the drying process, the cycle time may automatically vary from the default time based on the size and fabric type of the load. Toward the end of the drying process, the estimated time display will adjust again, showing the final drying time.

Dual Action Drying System

The Dual Action Drying system uses two motors: one to tumble your clothes and another to provide the best airflow for drying your load. Your dryer senses and adapts to the load you are drying, your cycle settings and your installation setup by varying the blower motor speed. Your dryer will continuously adjust throughout the drying cycle.

When a cycle begins, you will hear the clothes tumbling, followed by the Dual Action blower motor starting. Throughout the cycle, you may hear the sound of airflow increasing or decreasing. This sound is normal.

To use an Auto Dry Cycle

- Press POWER.
- Select an Auto Dry Cycle.
- Select DRYNESS LEVEL to adjust how dry you want the load. As the cycle runs, the control senses the dryness of the load and adjusts the time automatically for the selected dryness level.

The default dryness setting is Normal when an Auto Dry Cycle is selected. You can select a different dryness level, depending on your load, by pressing DRYNESS LEVEL and choosing More, Normal or Less. Selecting More, Normal or Less automatically adjusts the dryness level at which the dryer will shut off. Once a dryness level is set, it cannot be changed without stopping the cycle.

- Select the desired Options.

To make changes during an Auto Dry Cycle:

- Press STOP.
- Adjust Dryness Level.

NOTE: Dryness Level selections can be made only while using Auto Dry Cycles.

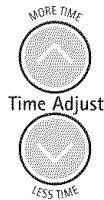


Auto Dry Cycles take the guesswork out of drying time and enhance fabric care. The amount of time that is displayed is the estimated time remaining in the cycle.

To use a Timed Cycle

- Select a Timed Cycle.
- Press the TIME ADJUST (More Time or Less Time) buttons until the desired drying time is displayed. Press MORE TIME or LESS TIME once and the time will change by 1-minute intervals. Press and hold MORE TIME or LESS TIME and the time will change by 5-minute intervals.

NOTE: The Timed Cycle Adjust features can be used only with Timed Cycles and the Touch Up cycle.



- Press TEMPERATURE until the desired temperature illuminates.

NOTE: During a Timed Cycle, you can change the settings for Time, Temperature, WRINKLE GUARD® and Cycle Signal.

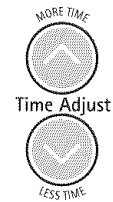
NOTE: The Temp feature can be used only with Timed Cycles and the Touch Up cycle.

- (OPTIONAL STEP) If desired, select OPTIONS. For more details, see "Options."
- (OPTIONAL STEP) If desired, press CYCLE SIGNAL. A signal will sound to alert you when a cycle ends. For more details, see "Cycle Signal."
- Press START. Be sure the door is closed.
 - If you do not press Start within 5 minutes of selecting the cycle, the dryer automatically shuts off.
 - If you wish to end your drying cycle after pressing Start, press STOP twice.

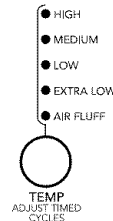
To use a SteamCare Cycle

- Press POWER.
- Turn the knob to desired SteamCare Cycle.
- Press the TIME ADJUST up or down arrows until the desired drying time is displayed. Press the up or down arrows and the time will change by 1-minute intervals. Press and hold the up or down arrows and the time will change by 5-minute intervals.

NOTE: The Timed Cycle Adjust features can be used only with Timed Cycles and the Touch Up cycle.



- Press TEMP until the desired temperature illuminates.



NOTE: The Temp feature can be used only with Timed Cycles and the Touch Up cycle.

NOTE: During the Touch Up cycle, you can change the settings for Timed Cycle Adjust and Temp Adjust. Open the door or press PAUSE/CANCEL once to pause the cycle, or press PAUSE/CANCEL twice to cancel a cycle.

Stopping, Pausing or Restarting

To stop or pause your dryer at any time

Open the door or press STOP once. Press STOP twice to cancel a cycle.

To restart the dryer

Close the door. Press START until dryer starts.

NOTE: Drying will continue from where the cycle was interrupted if you close the door and press Start within 5 minutes. If the cycle is interrupted for more than 5 minutes, the dryer will shut off. Select new cycle settings before restarting the dryer.

Drying and Cycle Tips

Select the correct cycle and dryness level or temperature for your load. If an Auto Dry Cycle is running, the display shows the estimated cycle time when your dryer is automatically sensing the dryness level of your load. If a Timed Cycle is running, the display shows the exact number of minutes remaining in the cycle.

Cool Down tumbles the load without heat during the last few minutes of all cycles. Cool Down makes the loads easier to handle and reduces wrinkling. The length of the Cool Down depends on the load size and dryness level.

Drying tips

- Follow care label directions when they are available.
- If desired, add a fabric softener sheet. Follow package instructions.
- To reduce wrinkling, remove the load from the dryer as soon as tumbling stops. This is especially important for permanent press, knits and synthetic fabrics.
- Avoid drying heavy work clothes together with lighter fabrics. This could cause overdrying of lighter fabrics and lead to increased shrinkage or wrinkling.

Cycle tips

- Dry most loads using the preset cycle settings.
- Refer to the Auto or Timed Preset Cycle Settings charts (in the "Cycles" section) for a guide to drying various loads.

- Drying temperature and dryness level are preset when you choose an Auto Dry Cycle. You can select a different dryness level, depending on your load, by pressing Dryness Level and choosing More, Normal or Less.

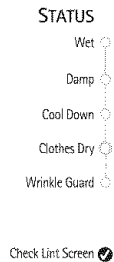
NOTE: You cannot use the Time Adjust and you cannot choose a Temperature with the Auto Dry Cycles.

- If you wish to adjust the cycle length of a Timed Cycle, press the Time Adjust (More Time or Less Time) arrows. Adjust the temperature of a Timed Cycle by pressing Temperature until the desired temperature is selected.

NOTE: You cannot choose a dryness level with Timed Cycles.

Status Lights

Follow the progress of your dryer with the drying Status indicator lights.



Wet

The Wet light illuminates at the beginning of an Auto Cycle if a wet item is detected.

- In an Auto Cycle, if a wet item is not detected after approximately 5 minutes, the dryer goes directly into Cool Down and the Cool Down and WRINKLE GUARD® indicators illuminate, if selected.
- In a Timed Cycle, wet items are not detected. The dryer will continue to run for the length of time selected, and the Wet light will illuminate. The damp light will not illuminate.

Damp

The Damp light illuminates in an Auto Dry Cycle when the laundry is approximately 80% dry. Damp Dry Signal beeps, if selected. See "Options."

Cool Down

The Cool Down light illuminates during the cool down part of the cycle. Laundry cools for ease in handling.

Clothes Dry

The Clothes Dry light illuminates when the drying cycle is finished. This indicator stays on during WRINKLE GUARD®.

WRINKLE GUARD®

The WRINKLE GUARD® light illuminates when this option is selected. This indicator stays on during WRINKLE GUARD®.

Check Lint Screen

The Check Lint Screen light reminds you to check the lint screen. The light illuminates when the user selects a cycle. It goes out when the door is opened, Start is pressed, or after 5 minutes elapses.

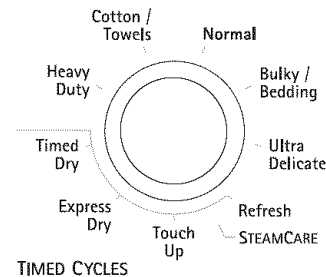
Indicator lights

Other indicator lights show Cycle, Options, Modifiers and Cycle Signal settings selected. The display shows the estimated or actual time remaining.

Cycles

Select the drying cycle that matches the type of load you are drying. See Auto or Timed Preset Cycle Settings charts.

AUTO DRY CYCLES



Auto Dry Cycles

Auto Dry Cycles allow you to match the cycle to the load you are drying. See the following Auto Preset Cycle Settings chart. Each cycle dries certain fabrics at the recommended temperature. A sensor detects the moisture in the load and automatically adjusts the drying time for optimal drying.

Heavy Duty

Use this cycle to get high heat for heavyweight mixed loads, cottons and jeans.

Cotton/Towels

Use this cycle to get high heat for drying heavy fabrics such as towels, sheets or cottons.

Normal

Use this cycle to get medium heat for drying casual business clothes, permanent press blends or work clothes.

Bulky/Bedding

Use this cycle to get medium heat for drying large items that require very long drying times such as jackets, comforters and cotton or polyester fiber filled pillows. Rearrange the load when the Damp Dry signal sounds. This step will aid in the drying process.

Ultra Delicate

Use this cycle to get extra-low heat to gently dry items such as washable knit fabrics, blouses or lingerie.

Auto Preset Cycle Settings

Follow care label directions.

Auto Dry Cycles Load Type	Temperature	Time* (Minutes)
HEAVY DUTY Heavyweight mixed loads, cottons, jeans	High	50
COTTON/TOWELS Towels, sheets, cottons	High	45
NORMAL Casual clothes, permanent press	Medium	40
BULKY/BEDDING Jackets, comforters, cotton or polyester fiber filled pillows	Medium	60
ULTRA DELICATE Washable knits, blouses, lingerie	Extra-Low	25

*Estimated Time with Auto Dry Level (Normal) setting. Time will vary depending on load type and load size.

SteamCare Cycles

Use SteamCare Cycles to help smooth out wrinkles from dry items, such as clothes that have been worn or clothes that have been left in the dryer too long. When a SteamCare Cycle is selected, the estimated time remaining display shows the actual time remaining in the cycle.

NOTE: Results may vary depending on fabric. 100% cotton garments with wrinkle-free finish may yield better results than those without.

Use of a fabric softener sheet is not recommended with steam cycles as it may cause temporary staining on the clothes.

Refresh

This cycle is best for smoothing out wrinkles and reducing odors from loads consisting of one to four dry items of wrinkle-free cotton, cotton-polyester blend, common knits and synthetic garments. In this cycle a small amount of water is sprayed into the dryer drum after several minutes of tumbling with heat. The dryer will continue to tumble with heat followed by a brief cool down. The heat level and cycle time are not adjustable.

Touch Up

This cycle is best for touching up clothes that have been left in the dryer too long. In this cycle, a small amount of water is sprayed into the dryer drum after several minutes of tumbling with heat. The dryer will continue to tumble with heat followed by a brief cool down. The dry time and temperature can be adjusted for this cycle.

NOTE: Overloading the dryer may not yield the same results.

SteamCare Preset Cycle Settings

Timed Cycles Load Type	Default Temperature	Default Time (Minutes)
REFRESH Helps to smooth out wrinkles and reduce odors from loads consisting of one to four dry items.	Medium High	15
Touch Up Helps to smooth out wrinkles in loads left in the dryer for an extended period.	Medium High	20

Timed Cycles

Use Timed Cycles to select a specific amount of drying time and a drying temperature. When a Timed Cycle is selected, the Estimated Time Remaining display shows the actual time remaining in your cycle. You can change the actual time in the cycle by pressing the TIME ADJUST (More Time or Less Time) buttons. See "Changing Cycles, Modifiers and Options."

NOTE: Timed Cycles may also be used with the dryer rack. See "Dryer Rack."

Timed Dry

Use this cycle to complete drying if items are still damp after an Auto Dry Cycle. Timed Dry is also useful for drying heavyweight and bulky items, such as blankets and work clothes. Lightweight garments, such as exercise wear, can be dried using Timed Dry on a low temperature setting.

EXPRESS DRY™

Use this cycle for drying small loads or loads that need a short drying time.

Timed Preset Cycle Settings

Timed Cycles Load Type	Default Temperature	Default Time* (Minutes)
TIMED DRY Heavyweight, bulky items, work clothes	High	40
EXPRESS DRY™ Small loads	High	23

*Default times are remembered from the previous cycle.

Modifiers

Auto Dry Cycle Modifiers

Use the Dryness Level Modifier to select dryness levels for the Auto Dry Cycles. Press Dryness Level until the desired Dryness Level setting illuminates.

The preset dryness setting is Normal when an Auto Dry Cycle is selected. You can select a different dryness level, depending on your load, by pressing Dryness Level and choosing More, Normal or Less. Selecting More, Normal or Less automatically adjusts the dryness level at which the dryer will shut off. Once a dryness level is set, it cannot be changed without stopping the cycle.

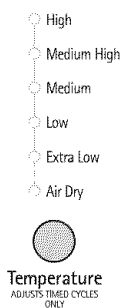
NOTE: Dryness Level selections cannot be used with the Timed Cycles.



Timed Cycle Modifiers

Use the Temperature Modifier to select temperatures for the Timed Cycles. Press Temperature until the desired temperature setting illuminates.

NOTE: Temperature modifiers cannot be used with the Auto Dry Cycles.



Air Dry

Use the Air Dry Modifier for items that require drying without heat such as rubber, plastic and heat-sensitive fabrics. This table shows examples of items that can be dried using Air Dry.

Type of Load	Time* (Minutes)
Foam rubber - pillows, padded bras, stuffed toys	20 - 30
Plastic - Shower curtains, tablecloths	20 - 30
Rubber-backed rugs	40 - 50
Olefin, polypropylene, sheer nylon	10 - 20

*Reset cycle to complete drying, if needed.

When using Air Dry

- Check that coverings are securely stitched.
- Shake and fluff pillows by hand periodically during the cycle.
- Dry item completely. Foam rubber pillows are slow to dry.

NOTE: Air Dry is not available with Auto Dry Cycles.

Options

You can customize your cycles by selecting options.

OPTIONS



Drum Light

Select Drum Light to turn on the light inside the dryer drum. During a cycle, if Drum Light is selected, the drum light turns on and will remain on until DRUM LIGHT is pressed again, the door is open and closed, or the door is left open for 5 minutes.

When the dryer is not running, the drum light will turn on when DRUM LIGHT is pressed or the dryer door is opened, and it will remain on until the dryer door has been open for 5 minutes, the dryer door is closed or DRUM LIGHT is pressed again.

Press DRUM LIGHT at any time to turn the drum light ON or OFF.

Damp Dry Signal

Select the Damp Dry Signal to alert you that your clothes are approximately 80% dry. This is useful when you want to remove lightweight items in a mixed load to avoid overdrying or remove partially dry items that may need ironing.

The DAMP DRY SIGNAL is useful when drying bedsheets/linens in a mixed load. When the signal goes off, open the door to stop the dryer, rearrange the load inside the dryer, close the door and restart the dryer to finish the drying cycle. Rearranging the load will aid in the drying process.

NOTE: The Damp Dry Signal is available only with the Auto Dry Cycles.

WRINKLE GUARD® (30, 60, 90, 150 minutes)

WRINKLE GUARD® helps keep wrinkles from forming when you cannot unload the dryer promptly at the end of a cycle. During this option, the dryer stops tumbling and then tumbles again for a brief period.

- Press WRINKLE GUARD® to get heat-free, periodic tumbling at the end of a cycle. WRINKLE GUARD® periodically starts and stops the dryer, tumbling the load without heat for 30, 60, 90 or 150 minutes (depending on your model) unless you open the dryer door.
- Stop WRINKLE GUARD® at any time by pressing WRINKLE GUARD®, opening the dryer door or pressing STOP.
- The Auto Dry and Timed Dry Cycles will retain the WRINKLE GUARD® setting. For example, if you select WRINKLE GUARD® in the Normal cycle, WRINKLE GUARD® will be on the next time you select the Normal cycle.

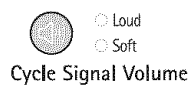
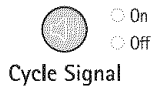
NOTE: If you do not select WRINKLE GUARD®, the dryer stops after cool down.

Cycle Signal

Cycle Signal

The Cycle Signal produces an audible sound when the drying cycle is finished. Promptly removing clothes at the end of the cycle reduces wrinkling.

Press CYCLE SIGNAL VOLUME until the desired volume (Loud or Soft) is selected. On some models, press CYCLE SIGNAL to turn the Cycle Signal On or Off.



NOTE: When WRINKLE GUARD® is selected, a tone sounds every 5 minutes until the clothes are removed, or WRINKLE GUARD® ends.

Changing Cycles, Modifiers and Options

You can change Auto and Timed Cycles, Modifiers and Options anytime before pressing Start.

- Three short tones sound if an unavailable combination is selected. The last selection will not be accepted.

Changing Cycles after pressing Start

1. Press STOP twice.
2. Select the desired cycle and options.
3. Press START. The dryer starts at the beginning of the new cycle.

NOTE: If you do not press Start within 5 minutes of selecting the cycle, the dryer automatically shuts off.

Changing Modifiers and Options after pressing Start

You can change a Modifier or Option anytime before the selected Modifier or Option begins.

1. Press STOP once.
2. Select the new Modifier and/or Options.
3. Press START to continue the cycle.

NOTE: If you happen to press STOP twice, the program clears and your dryer shuts down. Restart the selection process.

Changing the Preset Dryness Level Settings

If all of your loads on all Auto Dry cycles are consistently not as dry as you would like, you may change the preset Dryness Level settings to increase the dryness. This change will affect all of your Auto Dry cycles.

Your Dryness Level settings can be adjusted to adapt to different installations, environmental conditions or personal preference. There are 3 drying settings: 1 (factory preset dryness level), 2 (slightly dryer clothes, approximately 15% more drying time) and 3 (much dryer clothes, approximately 30% more drying time).

1. The Dryness Level settings cannot be changed while the dryer is running.
2. Press and hold the DRYNESS LEVEL button for 5 seconds. The dryer will beep, and "CF" will be displayed for 1 second followed by the current drying setting.
3. To select a new drying setting, press the DRYNESS LEVEL button again until the desired drying setting is shown.
NOTE: While cycling through the settings, the current setting will not flash, but the other settings will flash.
4. Press START to save the drying setting.
5. The drying setting you selected will become your new preset drying setting for all Auto Dry cycles.

Dryer Rack

The dryer rack was shipped in the dryer drum.

Use the dryer rack for items that you do not want to tumble dry, such as sweaters.

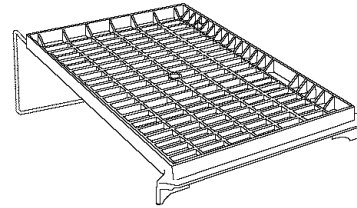
Use Timed Dry to select the desired time.

NOTE: Do not use Auto Dry Cycles with the dryer rack.

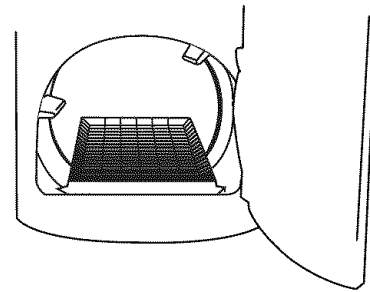
To use the dryer rack:

Do not remove the lint screen.

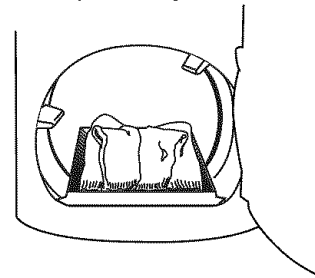
1. Open dryer door.



2. Slide dryer rack over the bottom of the dryer door opening. Rest the back wire on the dryer back ledge. Push down on the frame front to secure over lint screen.



3. Place wet items on top of the dryer rack. Allow space around items for air to circulate. The dryer rack does not move, but the drum will rotate. Make sure items do not hang over the edges or between dryer rack grille.



4. Close the door.
5. Select TIMED DRY and TIME ADJUST MORE TIME or LESS TIME. Refer to the following table.
6. Select the desired temperature setting to match the fabrics in your load by pressing TEMPERATURE. Items containing foam, rubber or plastic must be dried on a clothesline or by using an air cycle. Refer to the following table.
7. Start the dryer.

NOTE: Check the lint screen and remove any lint accumulated from items dried on the dryer rack.

Suggested Items for Rack Drying	Cycle Setting	Suggested Time* (Minutes)
Washable wool items (block to shape and lay flat on dryer rack)	Low	20
Stuffed toys or pillows (cotton or polyester fiber filling)	Low	30
Stuffed toys (foam rubber filled)	Air Dry	50
Galoshes (rubber)	Air Dry	20
Foam rubber pillows	Air Dry	50
Tennis shoes	Air Dry	20

*Reset time as needed to complete drying.


NOTE: You must remove dryer rack for normal tumbling. To remove the dryer rack, lift it straight up and out of the dryer.

DRYER CARE

Cleaning the Dryer Location

Keep dryer area clear and free from items that would obstruct the flow of combustion and ventilation air.

⚠ WARNING



Explosion Hazard

Keep flammable materials and vapors, such as gasoline, away from dryer.

Place dryer at least 18 inches (46 cm) above the floor for a garage installation.

Failure to do so can result in death, explosion, or fire.

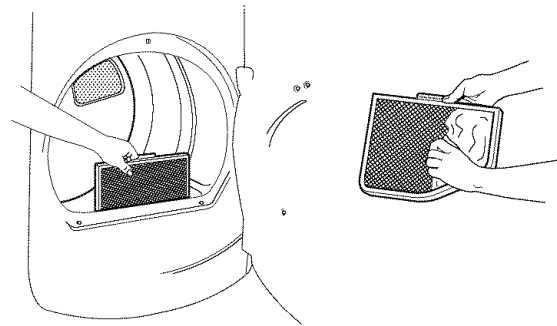
Cleaning the Lint Screen

Every load cleaning

The lint screen is located in the door opening of the dryer. The control panel has an indicator light to remind you to clean the lint screen before each load. A screen blocked by lint can increase drying time.

To clean

1. Pull the lint screen straight up. Roll lint off the screen with your fingers. Do not rinse or wash screen to remove lint. Wet lint is hard to remove.



2. Push the lint screen firmly back into place.

IMPORTANT:

- Do not run the dryer with the lint screen loose, damaged, blocked, or missing. Doing so can cause overheating and damage to both the dryer and fabrics.
- If lint falls off the screen into the dryer during removal, check the exhaust hood and remove the lint. See "Venting Requirements."

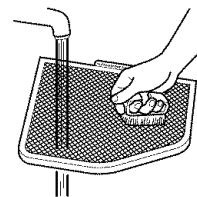
As needed cleaning

Laundry detergent and fabric softener residue can build up on the lint screen. This buildup can cause longer drying times for your clothes, or cause the dryer to stop before your load is completely dry. The screen is probably clogged if lint falls off while the screen is in the dryer.

Clean the lint screen with a nylon brush every 6 months, or more frequently, if it becomes clogged due to a residue buildup.

To wash

1. Roll lint off the screen with your fingers.
2. Wet both sides of lint screen with hot water.
3. Wet a nylon brush with hot water and liquid detergent. Scrub lint screen with the brush to remove residue buildup.



4. Rinse screen with hot water.
5. Thoroughly dry lint screen with a clean towel. Replace screen in dryer.

Cleaning the Dryer Interior

To clean dryer drum

1. Make a paste with powdered laundry detergent and very warm water.
2. Apply paste to a soft cloth.

OR

Apply a liquid, nonflammable household cleaner to the stained area and rub with a soft cloth until all excess dye and stains are removed.

3. Wipe drum thoroughly with a damp cloth.
4. Tumble a load of clean cloths or towels to dry drum.

NOTE: Garments that contain unstable dyes, such as denim blue jeans or brightly colored cotton items, may discolor the dryer interior. These stains are not harmful to your dryer and will not stain future loads of clothes. Dry unstable dye items inside out to avoid transfer of dye.

Removing Accumulated Lint

From Inside the Dryer Cabinet

Lint should be removed every 2 years, or more often, depending on dryer usage. Cleaning should be done by a qualified person.

From the Exhaust Vent

Lint should be removed every 2 years, or more often, depending on dryer usage.

Water Inlet Hoses

Replace inlet hoses and hose screen after 5 years of use to reduce the risk of hose failure. Periodically inspect and replace inlet hoses if bulges, kinks, cuts, wear or leaks are found.

When replacing your inlet hoses, record the date of replacement.

Vacation, Storage and Moving Care

Install and store your dryer where it will not freeze. Because some water may stay in the hoses, freezing can damage your dryer. If storing or moving your dryer during freezing weather, winterize it.

Non-Use or Vacation Care

Operate your dryer only when you are at home. If you will be on vacation or not using your dryer for an extended period of time, you should:

1. Unplug dryer or disconnect power.
 2. Clean lint screen. See "Cleaning the Lint Screen."
 3. Turn off the water supply to the dryer. This helps to avoid unintended flooding (due to a water pressure surge) while you are away.
-

To winterize dryer

1. Unplug dryer or disconnect power.
 2. Shut off water faucet.
 3. Disconnect water inlet hose from faucet and drain.
-

To use dryer again

1. Flush water pipes. Reconnect water inlet hose to faucet. Turn on water faucet.
 2. Plug in dryer or reconnect power.
-

Moving care

For power supply cord-connected dryers:

1. Unplug the power supply cord.
 2. Shut off water faucet.
 3. Disconnect the water inlet hose from faucet, then drain the hose. Transport hose separately.
 4. Make sure leveling legs are secure in dryer base.
 5. Use masking tape to secure dryer door.
-

For direct-wired dryers:

⚠ WARNING



Electrical Shock Hazard

Disconnect power before servicing.

Replace all parts and panels before operating.

Failure to do so can result in death or electrical shock.

1. Disconnect power.
 2. Disconnect wiring.
 3. Shut off water faucet.
 4. Disconnect the water inlet hose from faucet, then drain the hose. Transport hose separately.
 5. Make sure leveling legs are secure in dryer base.
 6. Use masking tape to secure dryer door.
-

Reinstalling the dryer

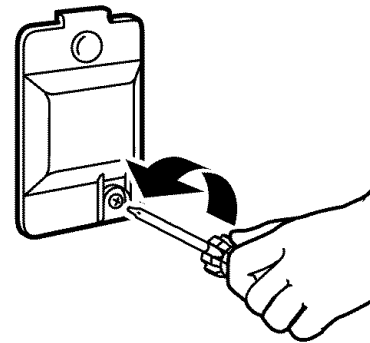
Follow the "Installation Instructions" to locate, level and connect the dryer.

Changing the Drum Light

The dryer light automatically turns on inside the dryer drum when you open the door.

To change the drum light

1. Unplug dryer or disconnect power.
2. Open the dryer door. Locate the light bulb cover on the back wall of the dryer. Remove the screw located in the lower right corner of the cover. Remove the cover.



3. Turn bulb counterclockwise. Replace the bulb with a 10-watt appliance bulb only. Replace the cover and secure with the screw.
 4. Plug in dryer or reconnect power.
-

TROUBLESHOOTING

First try the solutions suggested here and possibly avoid the cost of a service call...

Dryer Operation

Dryer will not run

- **Has a household fuse blown, or has a circuit breaker tripped?**
Replace the fuse or reset the circuit breaker. There may be 2 household fuses or circuit breakers for the electric dryer. Check that both fuses are intact and tight, or that both circuit breakers have not tripped. If the problem continues, call an electrician.
- **Is the correct power supply available?**
Electric dryers require 240-volt power supply. Check with a qualified electrician.
- **Was a regular fuse used?**
Use a time-delay fuse.
- **Is the dryer door firmly closed?**
- **Was the Start button firmly pressed?**
Large loads may require pressing and holding the Start button for 2-5 seconds.

No heat

- **Has a household fuse blown, or has a circuit breaker tripped?**
The drum may be turning, but you may not have heat. Electric dryers use 2 household fuses or breakers. Replace the fuse or reset the circuit breaker. If the problem continues, call an electrician.

Unusual sounds

- **Has the dryer had a period of non-use?**
If the dryer hasn't been used for a while, there may be a thumping sound during the first few minutes of operation.
- **Is a coin, button or paper clip caught between the drum and front or rear of the dryer?**
Check the front and rear edges of the drum for small objects. Clean out pockets before laundering.
- **Are the four legs installed, and is the dryer level front to back and side to side?**
The dryer may vibrate if not properly installed. See "Installation Instructions."
- **Is the clothing knotted or balled up?**
When balled up, the load will bounce, causing the dryer to vibrate. Separate the load items and restart the dryer.
- **Are there unusual sounds at any time during a cycle?**
You may hear the Dual Action Drying system blower motor starting, changing speeds, or increasing or decreasing airflow. These sounds are normal. See "Dual Action Drying System" in "Dryer Use."

- **Is the dryer vibrating?**
The Dual Action Drying system may be operating the blower at its maximum speed. This may be required for your conditions. Verify that your vent meets the requirements listed in "Installation Instructions."

Dryer displaying code message

- **"PF" (power failure), check the following:**
Was the drying cycle interrupted by a power failure? Press and hold START to restart the dryer.
- **"L2" Diagnostic Code (low or no line voltage condition):**
The drum will turn, but there may be a problem with your home power supply keeping the dryer's heater from turning on. The dryer will continue to run when this diagnostic code is present. Press any key to clear the code from the display and return to the estimated time remaining.

Try the following:

Check to see if a household fuse has blown or circuit breaker has tripped. Electric dryers use two household fuses or breakers. Replace the fuse or reset the circuit breaker.

Confirm the power cord is properly installed. Refer to "Electrical Connection" for details.

Select a Timed Dry heated cycle, and restart the dryer.

If the message persists, consult a qualified electrician.

- **"AF" (low airflow condition):**
The dryer will continue to run when this diagnostic code is present. Press any key to clear the code from the display and return to the estimated time remaining.

Try the following:

Clean lint screen.

Check to see if the vent run from the dryer to the wall is crushed or kinked.

Confirm the vent run from the dryer to the wall is free of lint and debris.

Confirm the exterior vent exhaust hood is free of lint and debris.

Confirm your vent system falls within the recommended run length and number of elbows for the type of vent you are using. Refer to "Plan Vent System" for details.

Select a Timed Dry heated cycle, and restart the dryer.

If the message persists, have your entire home venting run cleaned.

- **"F" Variable (F1, F2, F20, etc.) service codes:**
Call for service. To contact Sears Service, call **1-800-4-MY-HOME® (1-800-469-4663)** or see the back page of this manual.

Dryer Results

Clothes are not drying satisfactorily, drying times are too long, or load is too hot

- **Is the lint screen clogged with lint?**
Lint screen should be cleaned before each load.

⚠ WARNING



Fire Hazard

Use a heavy metal vent.

Do not use a plastic vent.

Do not use a metal foil vent.

Failure to follow these instructions can result in death or fire.

- **Is the exhaust vent or outside exhaust hood clogged with lint, restricting air movement?**
Run the dryer for 5-10 minutes. Hold your hand under the outside exhaust hood to check air movement. If you do not feel air movement, clean exhaust system of lint or replace exhaust vent with heavy metal or flexible metal vent. See "Installation Instructions."
- **Are fabric softener sheets blocking the grille?**
Use only one fabric softener sheet, and use it only once.
- **Is the exhaust vent the correct length?**
Check that the exhaust vent is not too long or has too many turns. Long venting will increase drying times. See "Installation Instructions."
- **Is the exhaust vent diameter the correct size?**
Use 4" (10.2 cm) diameter vent material.

⚠ WARNING



Explosion Hazard

Keep flammable materials and vapors, such as gasoline, away from dryer.

Place dryer at least 18 inches (46 cm) above the floor for a garage installation.

Failure to do so can result in death, explosion, or fire.

- **Is the dryer located in a room with temperature below 45°F (7°C)?**
Proper operation of dryer cycles requires temperatures above 45°F (7°C).
- **Is the dryer located in a closet?**
Closet doors must have ventilation openings at the top and bottom of the door. The rear of the dryer requires 5" (12.7 cm) of airspace. See "Installation Instructions."
- **Has the Air Dry modifier been selected?**
Select the right temperature for the types of garments being dried. See "Modifiers."
- **Is the load too large and heavy to dry quickly?**
Separate the load to tumble freely.
- **Are all your Auto Dry cycle loads consistently not as dry as you would like?**
You may change the preset Dryness Level settings to increase dryness for all Auto Dry cycles. See "Changing Cycles, Modifiers and Options."
- **Are clothes coming out of the Refresh cycle with damp or wet spots?**
Under certain environmental or installation conditions you may experience underdrying. Select the Touch Up cycle (20 min. default time), which can be customized by choosing temperature by pressing TEMP and/or cycle time by pressing the Timed Cycle Adjust up or down buttons.

Cycle time too short

⚠ WARNING

Excessive Weight Hazard

Use two or more people to move and install dryer.

Failure to do so can result in back or other injury.

■ **Is the Auto Dry Cycle ending early?**

The load may not be contacting the sensor strips. Level the dryer.

Change the dryness level setting on Auto Dry Cycles. Increasing or decreasing the dryness level will change the amount of drying time in a cycle.

Do not use a dryer rack with an Auto Dry Cycle.

Lint on load

■ **Is the lint screen clogged?**

Clean lint screen. Check for air movement.

Stains on load or drum

■ **Was dryer fabric softener properly used?**

Add dryer fabric softener sheets at the beginning of the cycle. Fabric softener sheets added to a partially dried load can stain your garments.

Drum stains are caused by dyes in clothing (usually blue jeans). This will not transfer to other clothing.

Loads are wrinkled

- **Was the load removed from dryer at the end of the cycle?**
Select Touch Up Cycle to tumble the load with water and heat to help smooth out wrinkles from a load left in the dryer.

- **Was the dryer overloaded?**

Dry smaller loads that can tumble freely. Smaller loads yield best results with the Refresh Cycle. Results may also vary depending on fabric type. This cycle is best for reducing wrinkles and odors from loads consisting of wrinkle-free cotton, cotton polyester blends, common knits and synthetics.

- **Loads are still wrinkled following SteamCare cycles?**

Make sure water is connected to the dryer. Check that water inlet hose is connected to both the faucet and dryer's water inlet valve. Check that the water supply is turned on. These cycles are best for smoothing out wrinkles and reducing odors from loads consisting of wrinkle-free cotton, cotton polyester blends, common knits and synthetic garments.

NOTE: Refer to garment care label instructions. Dry clean only garments are not recommended.

Odors

- **Have you recently been painting, staining or varnishing in the area where your dryer is located?**

If so, ventilate the area. When the odors or fumes are gone from the area, rewash and dry the clothing.

- **Is the dryer being used for the first time?**

The new electric heating element may have an odor. The odor will be gone after the first cycle.

- **Is water connected to the dryer?**

Check that water inlet hose is connected to both the faucet and dryer's water inlet valve. Check that the water supply is turned on.

- To remove odors left in garments after wearing, select the Refresh cycle for small loads of two to four garments. This cycle is best for reducing wrinkles and odors from loads consisting of wrinkle-free cotton, cotton polyester blends, common knits and synthetics.

ÍNDICE

CONTRATOS DE PROTECCIÓN	30	Cómo detener, pausar y volver a poner en marcha	48
GARANTÍA	31	Sugerencias de ciclos y secado.....	49
SEGURIDAD DE LA SECADORA	31	Luces de estado	49
INSTRUCCIONES DE INSTALACIÓN	32	Ciclos	50
Herramientas y piezas.....	32	Modificadores.....	51
Requisitos de ubicación	33	Opciones.....	52
Requisitos eléctricos	34	Señal de ciclo (Cycle Signal).....	52
Conexión eléctrica.....	36	Cambio de ciclos, modificadores y opciones.....	53
Requisitos de ventilación	40	Estante de la secadora.....	53
Planificación del sistema de ventilación	42	CUIDADO DE LA SECADORA	54
Instalación del sistema de ventilación	43	Limpieza del lugar donde está la secadora	54
Instalación de las patas niveladoras	43	Limpieza del filtro de pelusa.....	54
Conexión del ducto de escape	44	Limpieza del interior de la secadora	55
Conexión de las mangueras de entrada.....	44	Eliminación de pelusa acumulada.....	55
Nivelación de la secadora	44	Mangueras de entrada de agua	55
Cómo invertir el cierre de la puerta.....	45	Cuidado durante las vacaciones, el almacenamiento	
Complete la instalación.....	46	y las mudanzas	55
USO DE LA SECADORA	47	Cambio de la luz del tambor	56
Puesta en marcha de la secadora	47	SOLUCIÓN DE PROBLEMAS	56
		NÚMEROS DE SERVICIO	CONTRAPORTADA

CONTRATOS DE PROTECCIÓN

Contratos maestros de protección

¡Felicitaciones por su *inteligente adquisición!* Su nuevo producto Kenmore® está diseñado y fabricado para proporcionarle años de funcionamiento confiable. Pero al igual que todos los productos, puede necesitar mantenimiento preventivo o reparación de vez en cuando. Es allí donde el Contrato maestro de protección puede ahorrarle dinero e inconvenientes.

El Contrato maestro de protección también ayuda a prolongar la vida de su nuevo producto. He aquí lo que se incluye en el Contrato*:

- ✓ **Piezas y mano de obra** necesarias para ayudar a mantener los productos funcionando correctamente **bajo uso normal**, no sólo en caso de defectos. Nuestra cobertura va **mucho más allá de la garantía del producto**. No existen deducibles ni fallas de funcionamiento que estén excluidas de la cobertura — **protección verdadera**.
- ✓ **Servicio experto** a cargo de un personal de más de 10.000 **técnicos de servicio autorizados por Sears**, lo que significa que su producto será reparado por alguien en quien usted puede confiar.
- ✓ **Llamadas de servicio ilimitado y servicio en todo el país**, con la frecuencia que usted desee, cuando usted desee.
- ✓ **Garantía “sin disgustos”** – reemplazo de su producto protegido si ocurren cuatro fallas o más del producto en el transcurso de doce meses.
- ✓ **Reemplazo del producto** si su producto protegido no puede ser reparado.
- ✓ **Revisión anual de mantenimiento preventivo** a solicitud suya – sin costo adicional.
- ✓ **Ayuda rápida por teléfono** – lo que nosotros llamamos **Solución rápida** – apoyo por teléfono a cargo de un representante de Sears para todos los productos. Piense en nosotros como si fuéramos un “manual parlante para el propietario”.

✓ **Protección de sobrevoltaje** contra daños eléctricos debido a fluctuaciones de electricidad.

✓ **Protección por pérdida de comida, por un valor anual de \$250**, por cualquier pérdida de comida que sea como resultado de fallas mecánicas de cualquier refrigerador o congelador cubierto bajo la garantía.

✓ **Reembolso de la renta** si la reparación de su producto protegido tarda más de lo prometido.

✓ **10% de descuento** sobre el precio común por el servicio de reparación que no esté bajo protección, así como también las piezas relacionadas con el mismo que se hayan instalado.

Una vez adquirido el Contrato, tan sólo tiene que llamar para fijar la visita de servicio técnico. Usted puede llamar a cualquier hora, de día o de noche, o fijar una visita técnica en Internet.

El Contrato maestro de protección es una compra sin riesgo. Si por algún motivo usted lo cancela durante el período de la garantía del producto, le proveeremos un reembolso total. O un reembolso proporcional en cualquier momento posterior a la expiración del período de la garantía. ¡Adquiera hoy su Contrato maestro de protección!

Se aplican algunas limitaciones y exclusiones. Para obtener precios e información adicional en EE.UU., llame al 1-800-827-6655.

***La cobertura en Canadá varía en algunos artículos. Para obtener los detalles completos, llame a Sears Canada al 1-800-361-6665.**

Servicio de Instalación de Sears

Para la instalación profesional de Sears de aparatos electrodomésticos, abridores de puertas de garaje, calentadores de agua y otros artículos principales del hogar, en los EE.UU. o en Canadá llame al **1-800-4-MY-HOME®**.

GARANTÍA DE LOS ELECTRODOMÉSTICOS KENMORE ELITE®

GARANTÍA LIMITADA DE UN AÑO

Cuando este electrodoméstico haya sido instalado, operado y mantenido según las instrucciones provistas con el producto, si este electrodoméstico falla por defectos de material o de mano de obra dentro de un año a partir de la fecha de compra, llame al 1-800-4-MY-HOME® para gestionar la reparación libre de cargo.

Si este electrodoméstico es empleado para algún otro uso que no sea el doméstico familiar, esta garantía sólo tiene vigencia por 90 días a partir de la fecha de compra.

ESTA GARANTÍA CUBRE SOLAMENTE LOS DEFECTOS DE MATERIAL Y MANO DE OBRA. SEARS NO PAGARÁ POR LO SIGUIENTE:

1. Los artículos no reutilizables que pueden gastarse por el uso normal, incluyendo, pero sin limitación, filtros, correas, focos y bolsas.
2. Un técnico de servicio para enseñarle al usuario cómo instalar, operar o mantener el producto adecuadamente.
3. Un técnico de servicio para limpiar o mantener este producto.
4. Daños a este producto o fallas del mismo en caso de no ser instalado, operado o mantenido conforme a todas las instrucciones provistas con el producto.
5. Daños a este producto o fallas del mismo como resultado de accidente, abuso, uso indebido o un uso diferente de aquel para el cual fue creado.
6. Daños a este producto o fallas del mismo causados por el uso de detergentes, limpiadores, productos químicos o utensilios diferentes de los recomendados en todas las instrucciones provistas con el producto.

7. Daños a piezas o sistemas o fallas de los mismos como resultado de modificaciones no autorizadas que se hayan efectuado en este producto.

EXCLUSIÓN DE GARANTÍAS IMPLÍCITAS; LIMITACIÓN DE RECURSOS

El único y exclusivo recurso del cliente según los términos de esta garantía limitada será el de reparar el producto según se estipula en la presente. Las garantías implícitas, incluyendo las garantías de comerciabilidad o de capacidad para un propósito particular, serán limitadas a un año o al período más corto permitido por ley. Sears no se hará responsable por daños incidentales o consecuentes. Algunos estados y provincias no permiten la exclusión o limitación de daños incidentales o consecuentes, o limitaciones acerca de cuánto debe durar una garantía implícita de comerciabilidad o capacidad, de modo que las limitaciones o exclusiones arriba mencionadas pueden no aplicarse en su caso.

Esta garantía se aplica sólo mientras este electrodoméstico se usa en los Estados Unidos y Canadá.

Esta garantía le otorga derechos legales específicos, y es posible que usted tenga también otros derechos, los cuales varían de un estado a otro.

Sears, Roebuck and Co.
Dept. 817WA, Hoffman Estates, IL 60179
Sears Canada Inc.
Toronto, Ontario, Canada M5B 2B8

SEGURIDAD DE LA SECADORA

Su seguridad y la seguridad de los demás es muy importante.

Hemos incluido muchos mensajes importantes de seguridad en este manual y en su electrodoméstico. Lea y obedezca siempre todos los mensajes de seguridad.



Este es el símbolo de advertencia de seguridad.

Este símbolo le llama la atención sobre peligros potenciales que pueden ocasionar la muerte o una lesión a usted y a los demás.

Todos los mensajes de seguridad irán a continuación del símbolo de advertencia de seguridad y de la palabra "PELIGRO" o "ADVERTENCIA". Estas palabras significan:

⚠ PELIGRO

Si no sigue las instrucciones de inmediato, usted puede morir o sufrir una lesión grave.

⚠ ADVERTENCIA

Si no sigue las instrucciones, usted puede morir o sufrir una lesión grave.

Todos los mensajes de seguridad le dirán el peligro potencial, le dirán cómo reducir las posibilidades de sufrir una lesión y lo que puede suceder si no se siguen las instrucciones.

INSTRUCCIONES IMPORTANTES DE SEGURIDAD

ADVERTENCIA: A fin de reducir el riesgo de incendio, descarga eléctrica o de daño a las personas que usen la secadora, deben seguirse las precauciones básicas, incluidas las siguientes:

- Lea todas las instrucciones antes de usar la secadora.
- No coloque los objetos expuestos a aceite para cocinar en su secadora. Los objetos expuestos a aceites para cocinar pueden contribuir a una reacción química que podría causar que una carga se inflame.
- No seque artículos que ya se hayan limpiado, lavado, remojado o manchado con gasolina, disolventes de limpieza en seco, u otras sustancias inflamables o explosivas ya que despiden vapores que pueden encenderse o causar una explosión.
- No permita que jueguen los niños sobre o dentro de la secadora. Es necesaria la cuidadosa vigilancia de los niños toda vez que se use la secadora cerca de ellos.
- Quite la puerta de la secadora al compartimento de secado antes de ponerla fuera de funcionamiento o de descartarla.
- No introduzca las manos en la secadora cuando el tambor está en movimiento.
- No instale o almacene esta secadora donde estará expuesta a agua o a la intemperie.
- No trate de forzar los controles.
- No repare o reemplace ninguna pieza de la secadora ni trate de repararla a menos que esto se recomiende específicamente en el Manual del propietario o en instrucciones de reparación publicadas para el usuario que usted comprenda y sólo si cuenta con la experiencia necesaria para llevar a cabo dicha reparación.
- No utilice suavizadores de tejidos o productos para eliminar el estático de prendas a menos que lo recomiende el fabricante del suavizador de tejidos o las instrucciones del producto en uso.
- No utilice calor para secar prendas que contengan espuma de caucho o materiales de caucho con textura similar.
- Limpie el filtro de pelusa antes o después de cada carga de ropa.
- Mantenga el área alrededor de la apertura de ventilación y las áreas adyacentes a esta apertura sin pelusa, polvo o tierra.
- La parte interior de la secadora y el ducto de escape se deben limpiar periódicamente. Esta limpieza la debe llevar a cabo un reparador calificado.
- Vea la instrucciones de instalación para los requisitos de conexión a tierra.

GUARDE ESTAS INSTRUCCIONES

INSTRUCCIONES DE INSTALACIÓN

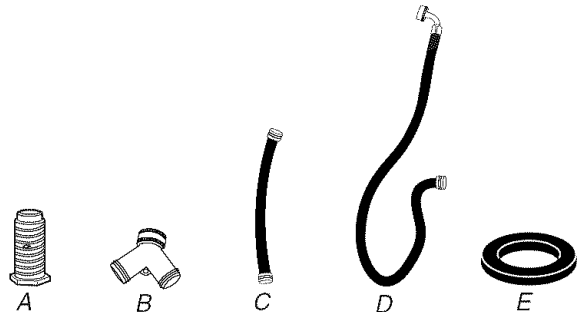
Herramientas y piezas

Reúna las herramientas y piezas necesarias antes de comenzar la instalación. Lea y siga las instrucciones provistas con cualquiera de las herramientas enlistadas aquí.

- Destornillador de hoja plana
- Destornillador Phillips # 2
- Llave de tuercas ajustable que se abra a 1" (2,5 cm) o una llave de cubo de cabeza hexagonal (para regular las patas de la secadora)
- Desforrador de alambre (instalaciones de cableado directo)
- Tijeras de lata (instalaciones del nuevo ducto de escape)
- Nivel
- Abrazaderas para ducto
- Pistola y masilla para calafateo (para instalar el nuevo ducto de escape)
- Cinta para medir

Piezas suministradas:

Retire el paquete de piezas del tambor de la secadora. Verifique que estén todas las piezas.



- A. Patas niveladoras (4)
- B. Conector en "Y"
- C. Manguera de entrada corta
- D. Manguera de entrada con conector en ángulo recto
- E. Arandela de goma

Piezas necesarias:

Verifique los códigos locales, verifique el suministro eléctrico existente y la ventilación y vea "Requisitos eléctricos" y "Requisitos de ventilación" antes de comprar las piezas.

Las instalaciones en casas rodantes necesitan artículos de ferretería para sistemas de ventilación de metal que se pueden comprar en su tienda Sears o en el centro de servicio técnico Sears de su localidad. Para más información, llame por favor al 1-800-4-MY-HOME® (1-800-469-4663).

Si emplea un cable de suministro eléctrico:

Use un juego aprobado de UL para cable de suministro eléctrico que esté marcado para ser usado en secadoras de ropa. El juego deberá contener:

- Un cable de suministro eléctrico de 30 amperios aprobado de UL, con 120/240 voltios mínimo. El cable deberá ser del tipo SRD o SRDT y deberá tener un largo de por lo menos 4 pies (1,22 m). Los hilos que conectan con la secadora deberán terminar en terminales de anillo o de horquilla con los extremos hacia arriba.
- Un protector de cables aprobado de UL.

Requisitos de ubicación

⚠ ADVERTENCIA



Peligro de Explosión

Mantenga los materiales y vapores inflamables, como la gasolina, lejos de la secadora.

Coloque la secadora a un mínimo de 46 cm sobre el piso para la instalación en un garaje.

No seguir estas instrucciones puede ocasionar la muerte, explosión o incendio.

Usted necesitará

- Una ubicación que permita una instalación adecuada del ducto de escape. Consulte "Requisitos de ventilación".
- Un circuito separado de 30 amperios.
- Si está usando un cable de suministro de energía, un contacto con conexión a tierra ubicado a no más de 2 pies (61 cm) de cualquiera de los lados de la secadora. Vea "Requisitos eléctricos".
- Un piso resistente para soportar la secadora con un peso total de 200 lbs (90,7 kgs). Asimismo se debe considerar el peso de otro artefacto que la acompañe.
- Grifos de agua fría ubicados a una distancia de no más de 4 pies (1,2 m) de las válvulas de llenado de agua y una presión de agua de 20-100 lbs/pulg² (138 - 690 kPa). Puede usar el suministro de agua para su lavadora usando el conector en "Y" y la manguera corta (si se requiere), los cuales están provistos.
- 20-100 lbs/pulg² (138 - 690 kPa) para un mejor desempeño.
- Un piso nivelado con un declive máximo de 1" (2,5 cm) debajo de la secadora completa.

No ponga a funcionar su secadora a temperaturas inferiores a 45°F (7°C). A temperaturas inferiores, es posible que la secadora no se apague al final de un ciclo automático. Los tiempos de secado pueden prolongarse.

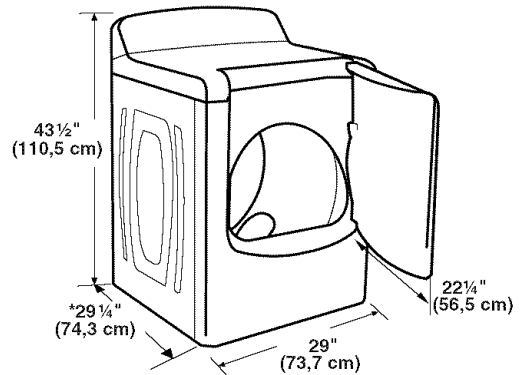
No debe instalarse ni guardarse la secadora en un área en donde pueda estar expuesta al agua y/o a la intemperie.

Verifique los requisitos de los códigos. Algunos códigos limitan, o no permiten, la instalación de la secadora en garajes, clósets, casas rodantes o en dormitorios. Póngase en contacto con el inspector de construcciones de su localidad.

Espacios de instalación

La ubicación debe ser lo suficientemente grande para poder abrir completamente la puerta de la secadora.

Dimensiones de la secadora

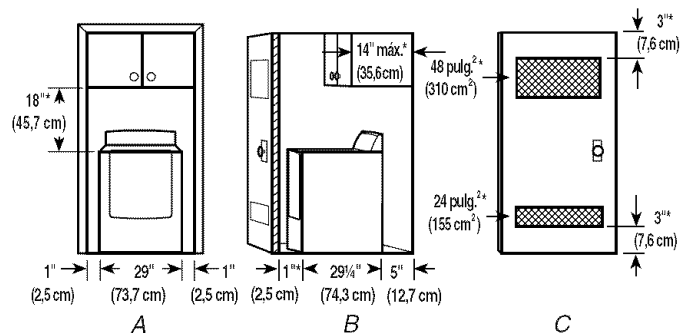


*La mayoría de las instalaciones requieren un espacio mínimo de 5" (12,7 cm) detrás de la secadora para acomodar el ducto de escape con codo. Vea "Requisitos de ventilación".

Espacio para la instalación en un lugar empotrado o en un clóset

Se recomiendan las siguientes medidas de espacio para esta secadora. Esta secadora ha sido puesta a prueba para espacios de 0" (0 cm) en los costados y en la parte posterior. El espacio recomendado debe ser considerado por los siguientes motivos:

- Debe considerarse el espacio adicional para facilitar la instalación y el servicio técnico.
- Se podrían necesitar espacios libres adicionales para las molduras de la pared, puerta y piso.
- Se debe considerar agregar espacio adicional en todos los lados de la secadora para reducir la transferencia de ruido.
- Para la instalación en clóset, con una puerta, se requieren aberturas de ventilación mínimas en la parte superior e inferior de la puerta. Se aceptan puertas tipo persianas con aberturas de ventilación equivalentes.
- También se debe considerar espacio adicional para otro electrodoméstico que le acompañe.
- Debe considerarse espacio adicional si va a ventilar la secadora hacia el exterior por la parte posterior izquierda o derecha.



A. Lugar empotrado

B. Vista lateral - clóset o lugar confinado

C. Puerta del clóset con orificios de ventilación

*Espacio necesario

Requisitos de instalación adicionales para las casas rodantes

Esta secadora es apropiada para instalaciones en casas rodantes. La instalación debe ajustarse al Estándar de seguridad y construcción de casas fabricadas, Título 24 CFR, Parte 3280 (anteriormente conocido como Estándar federal para la seguridad y construcción de casas rodantes, Título 24, HUD Parte 280).

Las instalaciones en casas rodantes necesitan:

- Artículos de ferretería para sistemas de ventilación de metal que se pueden comprar en su tienda Sears o en el centro de servicio Sears de su localidad.
- Se deben tomar medidas especiales en el caso de casas rodantes para introducir el aire del exterior en la secadora. La abertura (como la de una ventana adyacente) deberá ser por lo menos el doble de tamaño que la abertura de ventilación de la secadora.

Requisitos eléctricos

Usted es responsable de

- Ponerse en contacto con un instalador eléctrico calificado.
- Asegurarse de que la conexión eléctrica sea adecuada y de conformidad con el Código Nacional Eléctrico, ANSI/NFPA 70 - última edición y con todos los códigos y ordenanzas locales.

El Código Nacional Eléctrico requiere una conexión de suministro eléctrico de 4 hilos para aquellos hogares construidos después de 1996, para los circuitos de secadora que se hayan remodelado después de 1996 y todas las instalaciones de casas rodantes.

Usted puede obtener una copia de todas las normas arriba indicadas en:
National Fire Protection Association, One Batterymarch Park, Quincy, MA 02269.

- Proveer el suministro eléctrico requerido de 3 ó 4 alambres, monofásico, de 120/240 voltios, 60 Hz, CA solamente (o un suministro eléctrico de 3 ó 4 alambres, de 120/208 voltios, si se especifica en la placa indicadora de corriente/de la serie) en un circuito separado de 30 amperios, protegido con fusibles en ambos lados de la línea. Se recomienda un fusible retardador o un cortacircuitos. Conecte a un circuito derivado individual. No ponga un fusible en el circuito neutro o de conexión a tierra.
- No use un cable eléctrico de extensión.
- Si los códigos lo permiten y se emplea un alambre de conexión a tierra separado, es recomendable que un electricista calificado determine si la trayectoria de conexión a tierra es adecuada.

Conexión eléctrica

Para instalar su secadora adecuadamente, usted debe determinar el tipo de conexión eléctrica que va a usar y seguir las instrucciones que aquí se proveen para el caso.

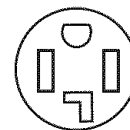
- Si los códigos locales no permiten la conexión de un conductor neutro conectado a tierra al alambre neutro, vea "Conexión opcional de 3 hilos" en la sección "Conexión eléctrica".
- Esta secadora ha sido manufacturada lista para ser instalada en una conexión de suministro de energía eléctrica de 3 hilos. El hilo neutro de puesta a tierra está permanentemente conectado al conductor neutro (cable blanco) dentro de la secadora. Si la secadora está instalada con una conexión de suministro eléctrico de 4 hilos, el hilo neutro de puesta a tierra se debe quitar del tornillo conductor de puesta a tierra exterior (tornillo verde) y ajustar debajo del terminal neutro (cable central o blanco) del bloque de terminal. Cuando el hilo neutro de puesta a tierra esté ajustado debajo del terminal neutral (cable central o blanco) del bloque de terminal, la carcasa de la secadora queda aislada del conductor neutro.
- Deberá usarse una conexión con suministro de energía de 4 hilos cuando el aparato esté instalado en una ubicación en la cual esté prohibida la conexión a tierra a través del conductor neutro. Está prohibido hacer la puesta a tierra a través del conductor neutro para (1) las nuevas instalaciones de circuito derivado, (2) casas rodantes, (3) vehículos de recreación y (4) áreas donde los códigos locales prohíben la conexión a tierra a través de conductores neutros.

Si emplea un cable de suministro eléctrico:

Use un juego aprobado de UL para cable de suministro eléctrico que esté marcado para ser usado en secadoras de ropa. El juego deberá contener:

- Un cable de suministro eléctrico de 30 amperios aprobado de UL, con 120/240 voltios mínimo. El cable deberá ser del tipo SRD o SRDT y deberá tener un largo de por lo menos 4 pies (1,22 m). Los hilos que conectan con la secadora deberán terminar en terminales de anillo o de horquilla con los extremos hacia arriba.
- Un protector de cables aprobado de UL.

Si el contacto de pared luce como éste:



Contacto de 4 alambres (14-30R)

Entonces elija un cable de suministro eléctrico de 4 alambres con terminales de anillo o de horquilla y con protector de cables aprobado de UL. El cable de suministro eléctrico de 4 hilos, de por lo menos 4 pies (1,22 m) de largo, deberá tener 4 hilos de cobre de calibre 10 y coincidir con un receptáculo de 4 hilos tipo NEMA 14-30R. El hilo de conexión a tierra (conductor a tierra) puede ser verde o desnudo. El conductor neutro debe ser identificado por una cubierta blanca.

Si el contacto de pared luce como éste:



Contacto de 3 alambres (10-30R)

Entonces elija un cable de suministro eléctrico de 3 alambres con terminales de anillo o de horquilla y con protector de cables aprobado de UL. El cable de suministro eléctrico de 3 hilos, de por lo menos 4 pies (1,22 m) de largo, deberá tener 3 hilos de cobre de calibre 10 y coincidir con un receptáculo de 3 hilos tipo NEMA 10-30R.

Si hace la conexión con cableado directo:

El cable de suministro eléctrico debe ser igual al suministro eléctrico (de 4 alambres o de 3 alambres) y debe ser:

- Cable blindado flexible o cable de cobre forrado no metálico (con alambre de conexión a tierra), protegido con un conducto metálico flexible. Todos los alambres conductores de corriente deben estar aislados.
- Alambre de cobre sólido de calibre 10 (no utilice aluminio).
- Por lo menos 5 pies (1,52 m) de largo.

INSTRUCCIONES PARA LA CONEXIÓN A TIERRA

- Para la conexión de una secadora mediante cable eléctrico conectado a tierra:

Esta secadora debe estar conectada a tierra. En el caso de funcionamiento defectuoso o avería, la conexión a tierra reducirá el riesgo de choque eléctrico al proporcionar una vía de menor resistencia para la corriente eléctrica. Esta secadora usa un cable que cuenta con un conductor para la conexión a tierra del equipo y un enchufe de conexión a tierra. El enchufe debe conectarse en un contacto apropiado, que esté debidamente instalado y conectado a tierra de acuerdo con todos los códigos y ordenanzas locales.

- Para la conexión permanente de una secadora:

Esta secadora debe estar conectada a un sistema de cableado de metal permanente, conectado a tierra, o se debe tender un conducto para la conexión a tierra del equipo con los conductores de circuito y conectado al terminal de tierra del equipo o al conductor de suministro de la secadora.

ADVERTENCIA: La conexión indebida del conductor para la conexión a tierra del equipo puede ocasionar un riesgo de choque eléctrico. Verifique con un electricista, representante o personal de servicio técnico calificado para asegurarse de que la conexión a tierra de la secadora sea apropiada. No modifique el enchufe que viene con el cable eléctrico. Si no encaja en el contacto, contrate un electricista calificado para que instale un contacto adecuado.

GUARDE ESTAS INSTRUCCIONES

Cable de suministro eléctrico

⚠ **ADVERTENCIA**



Peligro de Incendio

Use un cable de suministro eléctrico nuevo de 30 amperes que esté en la lista de UL.

Use un protector de cables que esté en la lista de UL.

Desconecte el suministro eléctrico antes de hacer las conexiones eléctricas.

Conecte el alambre neutro (el blanco o el del centro) al terminal central (plateada).

El alambre de tierra (el verde o el no aislado) se debe conectar con el conector verde de tierra.

Conecte los 2 alambres de suministro restantes con las 2 terminales restantes (las doradas).

Apriete firmemente todas las conexiones eléctricas.

No seguir estas instrucciones puede ocasionar la muerte, incendio, o choque eléctrico.

Cable directo

⚠ **ADVERTENCIA**



Peligro de Incendio

Utilice alambres de cobre sólido de ancho 10.

Use un protector de cables que esté en la lista de UL.

Desconecte el suministro eléctrico antes de hacer las conexiones eléctricas.

Conecte el alambre neutro (el blanco o el del centro) al terminal central (plateada).

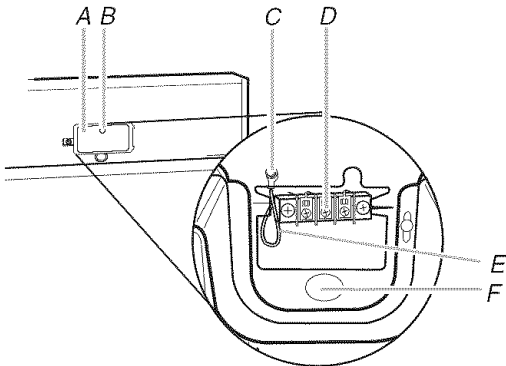
El alambre de tierra (el verde o el no aislado) se debe conectar con el conector verde de tierra.

Conecte los 2 alambres de suministro restantes con las 2 terminales restantes (las doradas).

Apriete firmemente todas las conexiones eléctricas.

No seguir estas instrucciones puede causar la muerte, incendio o choque eléctrico.

1. Desconecte el suministro de energía.
2. Quite el tornillo de sujeción y la cubierta del bloque de terminal.

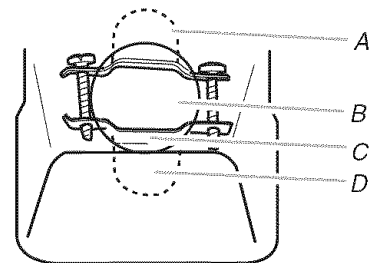


- A. Cubierta del bloque de terminal
- B. Tornillo de sujeción
- C. Tornillo conductor a tierra externo
- D. Tornillo del bloque de terminal de color plateado, del centro
- E. Alambre de conexión a tierra neutro
- F. Orificio debajo de la abertura del bloque de terminal

3. Instale el protector de cables.

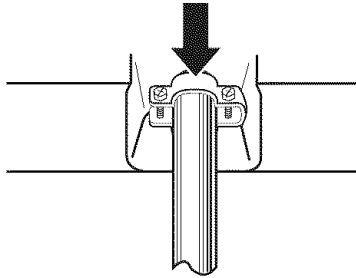
Estilo 1: Protector de cables del cable de suministro de energía

- Quite los tornillos de un protector de cables de 3/4" (1,9 cm) que esté en la lista de UL (con la marca UL en el protector de cables). Coloque las lengüetas de las dos secciones de la abrazadera en el orificio que está debajo de la abertura del bloque de terminal de manera que una lengüeta esté apuntando hacia arriba y la otra esté apuntando hacia abajo, y sujételas en su lugar. Apriete los tornillos del protector de cables lo suficiente para mantener las dos secciones de la abrazadera juntas.



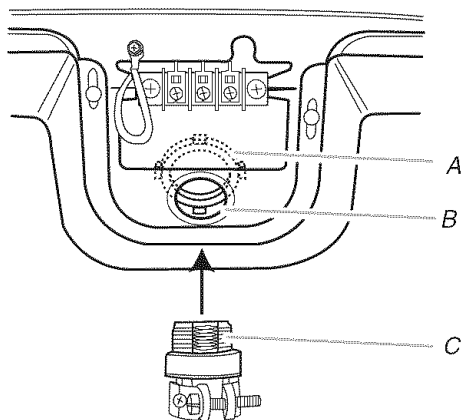
- A. Lengüeta del protector de cables apuntando hacia arriba
- B. Orificio debajo de la abertura del bloque de terminal
- C. Sección de la abrazadera
- D. Lengüeta del protector de cables apuntando hacia abajo

- Haga pasar el cable de suministro de energía a través del protector de cables. Asegúrese de que el aislamiento del alambre del cable de suministro de energía esté dentro del protector de cables. El protector de cables deberá encajar bien con la carcasa de la secadora y estar en posición horizontal. No ajuste más los tornillos del protector de cables en este momento.



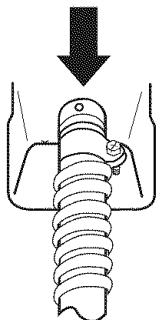
Estilo 2: Protector de cables para cable directo

- Desatornille el conector de conducto removible y cualquier tornillo del protector de cables de 3/4" (1,9 cm) que esté en la lista de UL (con la marca UL en el protector de cables). Haga pasar la sección roscada del protector de cables a través del orificio que está debajo de la abertura del bloque de terminal. Busque dentro de la abertura del bloque de terminal y atornille el conector de conducto removible sobre las roscas del protector de cables.



A. Conector del conducto removible
B. Orificio debajo de la abertura del bloque de terminal
C. Roscas del protector de cables

- Haga pasar el cable directo a través del protector de cables. El protector de cables deberá encajar bien con la carcasa de la secadora y estar en posición horizontal. Apriete el tornillo del protector de cables contra el cable directo.


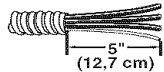

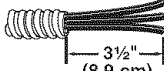


- Ahora termine la instalación siguiendo las instrucciones para el tipo de su conexión eléctrica:

Alambre de 4 hilos (se recomienda)

Alambre de 3 hilos (si no dispone de alambre de 4 hilos)

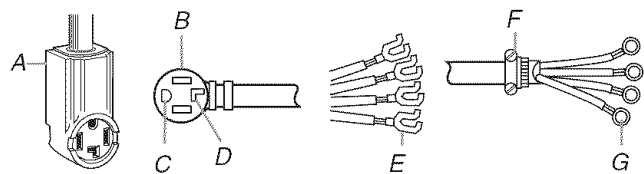
Opciones para la conexión eléctrica

Si su casa tiene:	Y usted va a conectar con:	Vaya a la sección:
Un contacto de 4 hilos (Tipo NEMA 14-30R) 	Un cable de suministro eléctrico para secadora, aprobado de UL, de 120/240 voltios mínimo y 30 amperios*	Conexión de 4 hilos: Cable de suministro eléctrico
Cable directo de 4 hilos 	Un desconectador con fusible o una caja de disyuntor*	Conexión de 4 hilos: Cable directo
Contacto de 3 hilos (Tipo NEMA 10-30R) 	Un cable de suministro eléctrico para secadora, aprobado de UL, de 120/240 voltios mínimo y 30 amperios*	Conexión de 3 hilos: Cable de suministro eléctrico
Cable directo de 3 hilos 	Un desconectador con fusible o una caja de disyuntor*	Conexión de 3 hilos: Cable directo

*Si los códigos locales no permiten la conexión de un conductor de conexión a tierra de la carcasa al cable neutro, prosiga a la sección "Conexión opcional de 3 hilos".

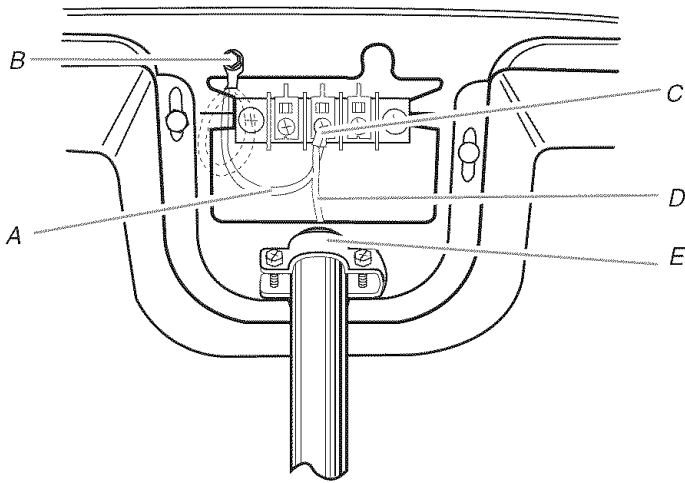
Conexión de 4 hilos: Cable de suministro eléctrico

IMPORTANTE: Se necesita una conexión de alambre de 4 hilos para las casas rodantes y para los casos en que los códigos locales no permitan el uso de conexiones de 3 hilos.



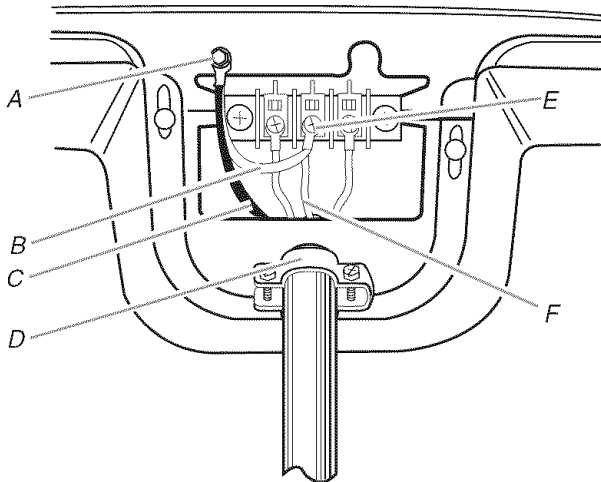
A. Contacto de 4 hilos (tipo NEMA 14-30R)
B. Enchufe de 4 terminales
C. Terminal de conexión a tierra
D. Terminal de conexión a neutro
E. Terminales de horquilla con los extremos hacia arriba
F. Protector de cables aprobado de UL, de 3/4" (1,9 cm)
G. Terminales de anillo

- Saque el tornillo plateado central del bloque de terminal.
- Saque el hilo de tierra neutro del tornillo conductor de tierra externo. Conecte el hilo neutro de puesta a tierra y el hilo neutro (hilo blanco o central) del cable de suministro de energía debajo del tornillo central de color plateado del bloque de terminal. Apriete el tornillo.



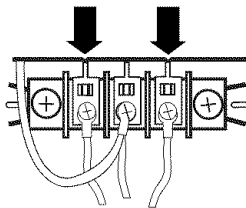
- A. Hilo neutro de puesta a tierra
- B. Tornillo conductor de tierra externo – La línea punteada ilustra la posición del hilo de tierra NEUTRO antes de moverlo al tornillo central de color plateado del bloque de terminal.
- C. Tornillo central de color plateado del bloque de terminal
- D. Hilo neutro (hilo blanco o central)
- E. Protector de cables de 3/4" (1,9 cm), que esté en la lista de UL

3. Conecte el hilo de tierra (verde o desnudo) del cable de suministro eléctrico al tornillo conductor de tierra externo. Apriete el tornillo.



- A. Tornillo conductor de tierra externo
- B. Hilo neutro de puesta a tierra
- C. Hilo de tierra (verde o desnudo) del cable de suministro de energía
- D. Protector de cables de 3/4" (1,9 cm), que esté en la lista de UL
- E. Tornillo central de color plateado del bloque de terminal
- F. Hilo neutro (hilo blanco o central)

4. Conecte los otros hilos a los tornillos exteriores del bloque de terminal. Apriete los tornillos.



5. Apriete los tornillos del protector de cables.
6. Introduzca la lengüeta de la cubierta del bloque de terminal en la ranura del panel posterior de la secadora. Asegure la cubierta con el tornillo de sujeción.

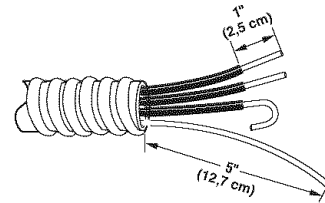
7. Usted ha completado la conexión eléctrica. Ahora vaya a "Requisitos de ventilación".

Conexión de 4 hilos: Cable directo

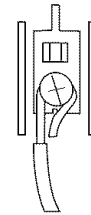
IMPORTANTE: Se necesita una conexión de alambre de 4 hilos para las casas rodantes y para los casos en que los códigos locales no permitan el uso de conexiones de 3 hilos.

El cable de conexión directa debe tener 5 pies (1,52 m) extra de largo para poder mover la secadora si fuese necesario.

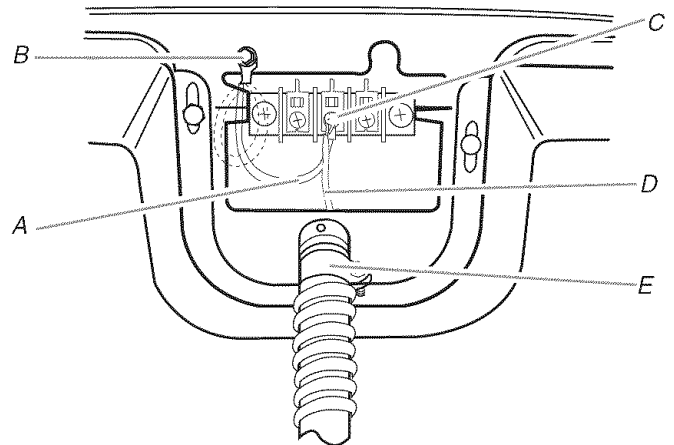
Pele 5" (12,7 cm) de la cubierta exterior desde el extremo del cable, dejando el hilo de tierra desnudo a 5" (12,7 cm). Corte 1 1/2" (3,8 cm) de los 3 hilos restantes. Pele el aislamiento 1" (2,5 cm) hacia atrás. Doble los extremos de los hilos para formar un gancho.



Al conectar el hilo al bloque de terminal, coloque el extremo del hilo en forma de gancho debajo del tornillo del bloque de terminal (con el gancho mirando hacia la derecha). Apriete y junte el extremo en forma de gancho y apriete el tornillo, como se muestra.

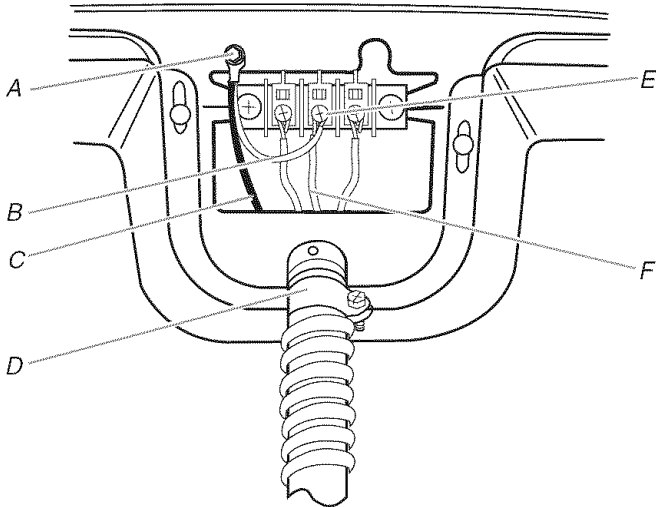


1. Saque el tornillo central de color plateado del bloque de terminal.
2. Saque el hilo de tierra neutro del tornillo conductor de tierra externo. Conecte el hilo neutro de puesta a tierra y coloque el extremo en forma de gancho (gancho mirando hacia la derecha) del hilo neutro (blanco o central) del cable de conexión directa debajo del tornillo central del bloque de terminal. Apriete y junte los extremos en forma de gancho. Apriete el tornillo.



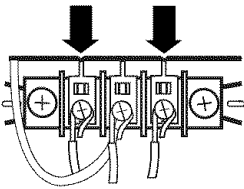
- A. Hilo neutro de puesta a tierra
- B. Tornillo conductor de tierra externo – La línea punteada ilustra la posición del hilo de tierra NEUTRO antes de moverlo al tornillo central de color plateado del bloque de terminal.
- C. Tornillo central de color plateado del bloque de terminal
- D. Hilo neutro (hilo blanco o central)
- E. Protector de cables de 3/4" (1,9 cm), que esté en la lista de UL

3. Conecte el hilo de tierra (verde o desnudo) del cable de suministro eléctrico al tornillo conductor de tierra externo. Apriete el tornillo.



- A. Tornillo conductor de tierra externo
- B. Hilo neutro de puesta a tierra
- C. Hilo de tierra (verde o desnudo) del cable de suministro de energía
- D. Protector de cables de $\frac{3}{4}$ " (1,9 cm), que esté en la lista de UL
- E. Tornillo central de color plateado del bloque de terminal
- F. Hilo neutro (hilo blanco o central)

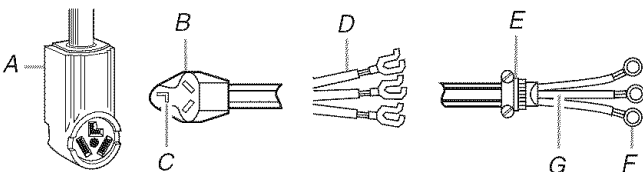
4. Coloque los extremos en forma de gancho de los otros hilos del cable debajo de los tornillos exteriores del bloque de terminal (con los ganchos mirando hacia la derecha). Apriete y junte los extremos en forma de gancho. Apriete los tornillos.



5. Apriete los tornillos del protector de cables.
6. Introduzca la lengüeta de la cubierta del bloque de terminal en la ranura del panel posterior de la secadora. Asegure la cubierta con el tornillo de sujeción.
7. Usted ha completado la conexión eléctrica. Ahora vaya a "Requisitos de ventilación".

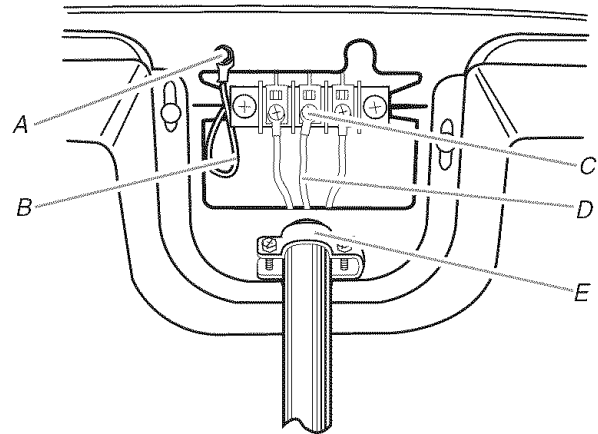
Conexión de 3 hilos: Cable de suministro eléctrico

Use cuando los códigos locales permitan la conexión del conductor de tierra de la carcasa al hilo neutro.



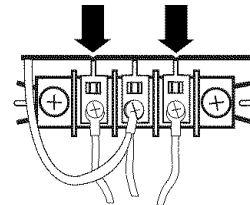
- A. Contacto de 3 hilos (tipo NEMA 10-30R)
- B. Enchufe de 3 hilos
- C. Terminal neutro
- D. Terminales de horquilla con extremos hacia arriba
- E. Protector de cables que esté en la lista de UL, de $\frac{3}{4}$ " (1,9 cm)
- F. Terminales de anillo
- G. Hilo neutro (hilo blanco o central)

1. Afloje o saque el tornillo central de color plateado del bloque de terminal.
2. Conecte el hilo neutro (hilo blanco o central) del cable de suministro eléctrico al tornillo central de color plateado del bloque de terminal. Apriete el tornillo.



- A. Tornillo conductor de tierra externo
- B. Hilo neutro de puesta a tierra
- C. Tornillo central de color plateado del bloque de terminal
- D. Hilo neutro (hilo blanco o central)
- E. Protector de cables que esté en la lista de UL, de $\frac{3}{4}$ " (1,9 cm)

3. Conecte los otros hilos a los tornillos exteriores del bloque de terminal. Apriete los tornillos.



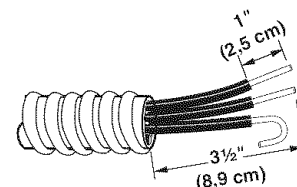
4. Apriete los tornillos del protector de cables.
5. Introduzca la lengüeta de la cubierta del bloque de terminal en la ranura del panel posterior de la secadora. Asegure la cubierta con el tornillo de sujeción.
6. Usted ha completado la conexión eléctrica. Ahora vaya a "Requisitos de ventilación".

Conexión de 3 hilos: Cable directo

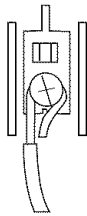
Use cuando los códigos locales permitan la conexión del conductor de tierra de la carcasa al hilo neutro.

El cable de conexión directa debe tener 5 pies (1,52 m) extra de largo para poder mover la secadora si fuese necesario.

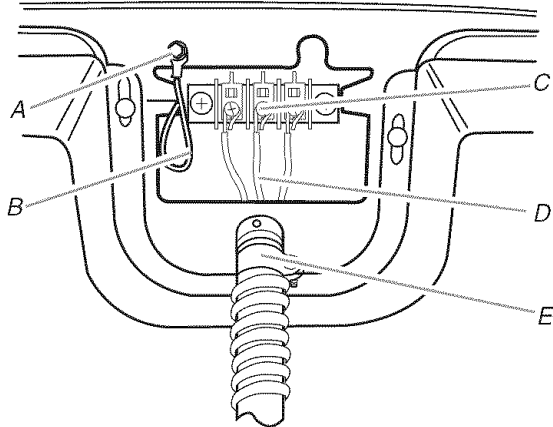
Pele $3\frac{1}{2}$ " (8,9 cm) de la cubierta exterior desde el extremo del cable. Pele el aislamiento 1" (2,5 cm) hacia atrás. Si usa un cable trifilar con hilo de tierra, corte el hilo desnudo para que quede nivelado con la cubierta exterior. Doble los extremos de los hilos para formar un gancho.



Al conectar el hilo al bloque de terminal, coloque el extremo del hilo en forma de gancho debajo del tornillo del bloque de terminal (con el gancho mirando hacia la derecha). Apriete y junte el extremo en forma de gancho y apriete el tornillo, como se muestra.

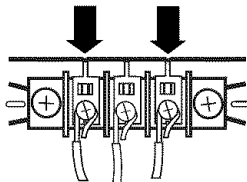


1. Afloje o saque el tornillo central de color plateado del bloque de terminal.
2. Coloque el extremo en forma de gancho del hilo neutro (hilo blanco o central) del cable de suministro debajo del tornillo central del bloque de terminal (con el gancho mirando hacia la derecha). Apriete y junte el extremo en forma de gancho. Apriete el tornillo.



- A. Tornillo conductor de tierra externo
 B. Hilo neutro de puesta a tierra
 C. Tornillo central de color plateado del bloque de terminal
 D. Hilo neutro (hilo blanco o central)
 E. Protector de cables que esté en la lista de UL, de 3/4" (1,9 cm)

3. Coloque los extremos en forma de gancho de los otros hilos del cable de suministro debajo de los tornillos exteriores del bloque de terminal (con los ganchos mirando hacia la derecha). Apriete y junte los extremos en forma de gancho. Apriete los tornillos.

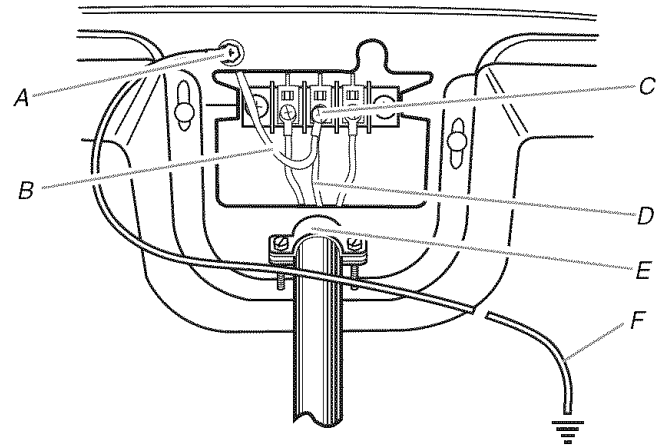


4. Apriete el tornillo del protector de cables.
5. Introduzca la lengüeta de la cubierta del bloque de terminal en la ranura del panel posterior de la secadora. Asegure la cubierta con el tornillo de sujeción.
6. Usted ha completado la conexión eléctrica. Ahora vaya a "Requisitos de ventilación".

Conexión opcional de 3 hilos

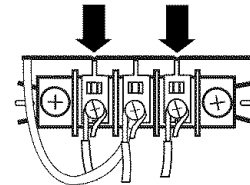
Use para cable directo o cable de suministro eléctrico donde los códigos locales no permitan la conexión del conductor de tierra de la carcasa con el hilo neutro.

1. Saque el tornillo central de color plateado del bloque de terminal.
2. Saque el hilo de tierra neutro del tornillo conductor de tierra externo. Conecte el hilo neutro de tierra y el hilo neutro (hilo blanco o central) del cordón/cable de suministro eléctrico debajo del tornillo central de color plateado del bloque de terminal. Apriete el tornillo



- A. Tornillo conductor de tierra externo
 B. Hilo neutro de puesta a tierra
 C. Tornillo central de color plateado del bloque de terminal
 D. Hilo neutro (hilo blanco o central)
 E. Protector de cables de 3/4" (1,9 cm), que esté en la lista de UL
 F. Camino de puesta a tierra determinado por un electricista capacitado

3. Conecte los otros hilos a los tornillos exteriores del bloque de terminal. Apriete los tornillos.



4. Apriete los tornillos del protector de cables.
5. Introduzca la lengüeta de la cubierta del bloque de terminal en la ranura del panel posterior de la secadora. Asegure la cubierta con el tornillo de sujeción.
6. Conecte un hilo a tierra de cobre separado desde el tornillo conductor a tierra externo a tierra adecuada.

Requisitos de ventilación

⚠️ ADVERTENCIA



Peligro de Incendio

Use un ducto de escape de metal pesado.

No use un ducto de escape de plástico.

No use un ducto de escape de aluminio.

No seguir estas instrucciones puede ocasionar la muerte o incendio.

ADVERTENCIA: Para reducir el riesgo de incendio, esta secadora DEBE VENTILARSE HACIA EL EXTERIOR.

IMPORTANTE: Observe todas las normas y ordenanzas vigentes.

El ducto de escape de la secadora no debe conectarse a ningún ducto de escape de gas, chimenea, pared, techo o el espacio oculto de un edificio.

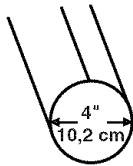
Si usa un sistema de ventilación existente

- Limpie la pelusa que está en toda la longitud del sistema y asegúrese de que la capota de ventilación no esté obstruida con pelusa.
- Reemplace cualquier ducto de escape de plástico o de hoja de metal por uno de metal pesado rígido o flexible.
- Vuelva a consultar el cuadro del sistema de ventilación. Modifique el sistema de ventilación existente si fuera necesario para lograr el mejor rendimiento de la secadora.

Si éste es un nuevo sistema de ventilación

Material de ventilación

- Use un ducto de escape de metal pesado. No use ducto de escape de plástico o de hoja de metal.
- Se debe usar un ducto de escape de metal pesado de 4" (10,2 cm) y abrazaderas. Los productos de ventilación DURASAFE™ son recomendables.



Ducto de escape de metal pesado de 4" (10,2 cm)

Los productos de ventilación DURASAFE™ pueden adquirirse con su distribuidor. Para obtener más información, sírvase llamar al **1-800-4-MY-HOME® (1-800-469-4663)** o visite nuestro sitio en internet en **www.sears.com**.

Ducto de escape de metal rígido

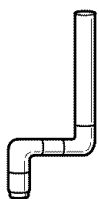
- Para un óptimo rendimiento de secado, se recomiendan ductos de escape de metal rígido.
- Se recomienda el ducto de escape de metal rígido para evitar que se aplaste o se tuerza.

Ducto de escape de metal flexible

- Los ductos de escape de metal flexible son aceptables únicamente si se puede tener acceso a los mismos para limpiarlos.
- El ducto de escape de metal flexible debe extenderse y sostenerse por completo cuando la secadora está en su ubicación final.
- Quite el exceso del ducto de metal flexible para evitar que se doble y se tuerza, lo cual podría dar lugar a una reducción del flujo de aire y a un rendimiento insuficiente.
- No instale el ducto de escape de metal flexible en paredes, techos o pisos encerrados.

Codos

Los codos de 45° proveen un mejor flujo de aire que los codos de 90°.



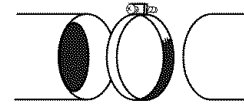
Bien



Mejor

Abrazaderas

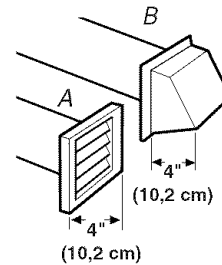
- Utilice abrazaderas para sellar todas las juntas.
- No debe conectarse ni asegurarse el ducto de escape con tornillos ni con ningún otro dispositivo de sujeción que se extienda hacia el interior de dicho ducto. No utilice cinta adhesiva para conductos.



Abrazadera

Ventilación

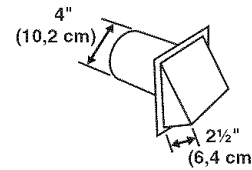
Los estilos recomendados de capotas de ventilación se ilustran aquí.



A. Estilo de capota con ventilación tipo persiana

B. Estilo de capota con ventilación tipo caja

El estilo de capota de ventilación angular (que se ilustra aquí) es aceptable.



- Una capota de ventilación debe tapan el ducto de escape para evitar el ingreso de roedores e insectos a la casa.
- La capota de ventilación debe estar por lo menos a 12" (30,5 cm) de distancia del piso o de cualquier objeto que pudiese estar en el trayecto del ducto de escape (como flores, rocas o arbustos, límite de nieve, etc.).
- No use capotas de ventilación con pestillos magnéticos.

La ventilación inadecuada puede ocasionar la acumulación de humedad y pelusa en la casa, lo cual puede dar como resultado:

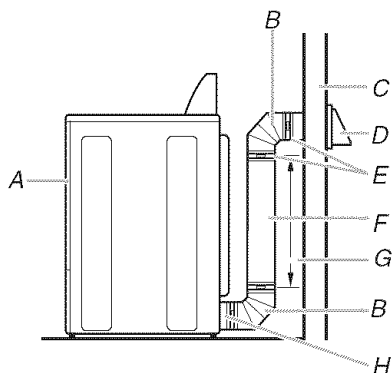
- Daños de humedad en la carpintería, muebles, pintura, empapelado, alfombras, etc.
- Problemas en la limpieza de la casa y de salud.

Planificación del sistema de ventilación

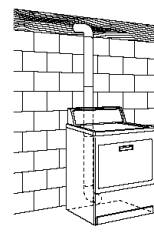
Seleccione su tipo de instalación de escape

Instalaciones recomendadas de escape

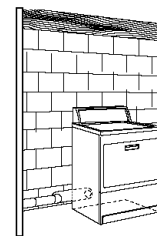
Las instalaciones típicas tienen la ventilación en la parte posterior de la secadora. Otras instalaciones son posibles.



- | | |
|--------------------------|---|
| A. Secadora | F. Ducto de metal rígido o de metal flexible |
| B. Codo | G. Longitud necesaria del ducto de escape para conectar los codos |
| C. Pared | H. Salida de ventilación |
| D. Capota de ventilación | |
| E. Abrazaderas | |



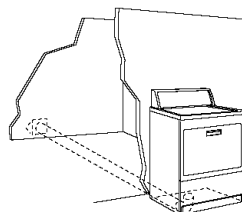
A



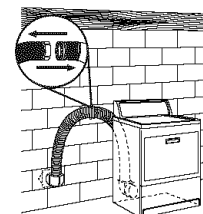
B

A. Instalación estándar con desviación en la parte posterior

B. Instalación de ventilación en la parte posterior derecha (pieza número 8212504) o izquierda (piezas número 8544761 y 8212504).



C



D

C. Instalación con ventilación en la parte inferior

D. Instalación en la parte superior (también está disponible con un codo de desviación)

Instalaciones opcionales de escape

Los sistemas de ventilación vienen en una amplia gama. Seleccione el tipo más apropiado para su instalación.

⚠ ADVERTENCIA



Peligro de Incendio

Cubra el orificio de escape no usado con el juego siguiente:

8212503

Comuníquese con su distribuidor local.

No seguir estas instrucciones puede ocasionar la muerte, incendio, choque eléctrico, o lesiones graves.

Esta secadora puede convertirse para ventilarse al exterior a través de la parte inferior. Si lo prefiere, póngase en contacto con su distribuidor local para hacer convertir su secadora. Esta secadora también puede ventilarse al exterior por su parte posterior derecha o izquierda. Se necesitan juegos opcionales para este tipo de instalaciones de ventilación. Consulte las instrucciones del fabricante para ver las instrucciones de instalación del juego.

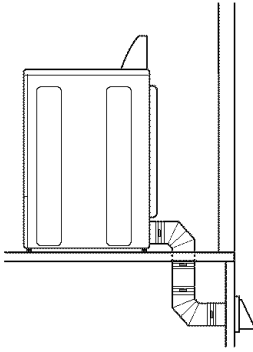
NOTA: Se pueden adquirir los siguientes juegos para instalaciones alternas en espacios limitados. Para más información, por favor llame al **1-800-4-MY-HOME® (1-800-469-4663)**.

- Instalación de ventilación en la parte posterior derecha:
Pieza número 8212504
- Instalación de ventilación en la parte posterior izquierda:
Piezas número 8544761 y 8212504
- Instalación con ventilación en la parte inferior:
Pieza número 8212503
- Instalación en la parte superior:
Pieza número 26-49900

Previsiones especiales para las instalaciones en casas rodantes

El ducto de escape deberá sujetarse firmemente en un lugar no inflamable de la estructura de la casa rodante y no debe terminar

debajo de la casa rodante. El ducto de escape debe terminar en el exterior.



Determinación de la vía del ducto de escape

- Seleccione la vía que proporcione el trayecto más recto y directo al exterior.
- Planifique la instalación a fin de usar el menor número posible de codos y vueltas.
- Cuando use los codos o haga vueltas, deje todo el espacio que sea posible.
- Doble el ducto gradualmente para evitar torceduras.
- Use la menor cantidad posible de vueltas de 90°.

Determinación de la longitud del ducto de escape y de los codos necesarios para obtener un óptimo rendimiento de secado

- Use el cuadro del sistema de ventilación a continuación para determinar el tipo de material para ducto y la combinación de capota aceptable a usar.

NOTA: No use tendidos de ducto de escape más largos que los especificados en el cuadro del sistema de ventilación. Los sistemas de ventilación más largos que los especificados:

- Acortarán la vida de la secadora.
- Reducirán el rendimiento, dando lugar a tiempos de secado más largos y un aumento en el consumo de energía.

El cuadro del sistema de ventilación indica los requisitos de ventilación que le ayudarán a alcanzar el mejor rendimiento de secado.

Cuadro del sistema de ventilación

NOTA: Para el funcionamiento del ducto de escape inferior, deberá considerarse como si fueran dos codos. Para determinar la longitud máxima del ducto de escape, agregue dos codos al cuadro.

NOTA: Para el funcionamiento del ducto de escape posterior a ambos lados de la secadora, deberá considerarse como si fuera un codo. Para determinar la longitud máxima del ducto de escape, agregue un codo al cuadro.

No. de vueltas de 90° o codos	Tipo de ducto	Capotas de ventilación de caja o tipo persiana	Capotas angulares
0	Metal rígido Metal flexible	200 pies (61 m) 100 pies (30,5 m)	185 pies (56,4 m) 93 pies (28,2 m)
1	Metal rígido Metal flexible	190 pies (58 m) 95 pies (29 m)	175 pies (53,3 m) 88 pies (26,7 m)

No. de vueltas de 90° o codos	Tipo de ducto	Capotas de ventilación de caja o tipo persiana	Capotas angulares
2	Metal rígido Metal flexible	180 pies (55 m) 90 pies (27,4 m)	165 pies (50,3 m) 83 pies (25,1 m)
3	Metal rígido Metal flexible	170 pies (51,8 m) 85 pies (26 m)	155 pies (47,2 m) 78 pies (23,6 m)
4	Metal rígido Metal flexible	160 pies (48,8 m) 80 pies (24,4 m)	145 pies (44,2 m) 73 pies (22,1 m)

Instalación del sistema de ventilación

1. Instale la capota de ventilación. Emplee una masilla de calafateo para sellar la abertura de la pared externa alrededor de la capota de ventilación.
2. Conecte el ducto de escape a la capota de ventilación. El ducto de escape debe encajar dentro de la capota de ventilación. Asegure el ducto de escape a la capota de ventilación con una abrazadera de 4" (10,2 cm).
3. Extienda el ducto de escape a la ubicación de la secadora. Use la trayectoria más recta posible. Vea "Determinación de la vía del ducto de escape" en "Planificación del sistema de ventilación". Evite giros de 90°. Use abrazaderas para sellar todas las juntas. No use cinta adhesiva para conductos, tornillos ni otros dispositivos de fijación que se extiendan dentro del ducto de escape, para fijar el mismo.

Instalación de las patas niveladoras

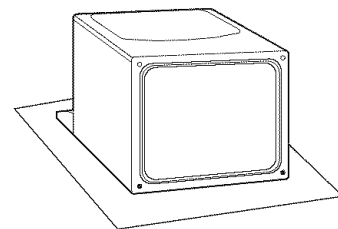
! ADVERTENCIA

Peligro de Peso Excesivo

Use dos o más personas para mover e instalar la secadora.

No seguir esta instrucción puede ocasionar una lesión en la espalda u otro tipo de lesiones.

1. Para proteger el piso, use un pedazo de cartón grande y plano del embalaje de la secadora. Coloque el cartón debajo de todo el borde posterior de la secadora.
2. Sujete con firmeza el cuerpo de la secadora (no la parte superior o el panel de la consola). Coloque la secadora cuidadosamente sobre el cartón. Vea la ilustración.



3. Examine las patas niveladoras. Localice la marca en forma de diamante.



4. Atornille con la mano las patas en los orificios de las patas. Use una llave de tuercas para terminar de atornillar las patas hasta que la marca en forma de diamante no quede visible.

- Coloque un esquinale de cartón del empaque de la secadora debajo de cada una de las 2 esquinas posteriores de la secadora. Ponga la secadora de pie. Deslice la secadora sobre los postes esquinales hasta que quede cerca de su ubicación final. Deje suficiente espacio para conectar el ducto de escape.

Conexión del ducto de escape

- Usando una abrazadera de 4" (10,2 cm), conecte el ducto de escape a la salida de aire de la secadora. Si se conecta a un ducto de escape existente, asegúrese de que el mismo esté limpio. El ducto de escape de la secadora debe encajar sobre la salida de aire de la secadora y dentro de la capota de ventilación. Cerciórese de que el ducto de escape esté asegurado a la capota de ventilación con una abrazadera de 4" (10,2 cm).
- Mueva la secadora a su posición final. No aplaste ni retuerza el ducto de escape.
- (En modelos a gas) Asegúrese de que no hayan torceduras en la línea de gas flexible.
- Una vez que la conexión del ducto de escape esté lista, quite los esquinales y el cartón.

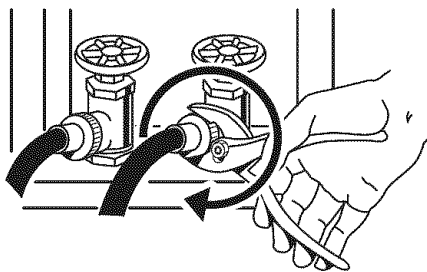
Conexión de las mangueras de entrada

La secadora debe conectarse al grifo de agua fría usando las mangueras de entrada nuevas. No use mangueras viejas.

- Cierre el grifo de agua fría y quite la manguera de entrada a la lavadora.
- Quite la arandela vieja de goma de la manguera de entrada y reemplácela con la arandela nueva de goma provista. Si el espacio lo permite, sujete el extremo hembra de bronce del conector en "Y" al grifo de agua fría.

NOTA: Si se puede sujetar directamente el conector en "Y" al grifo de agua fría, vaya al paso 6. Si no se puede sujetar directamente el conector en "Y" al grifo de agua fría, debe usarse la manguera corta. Continúe con el paso 3.

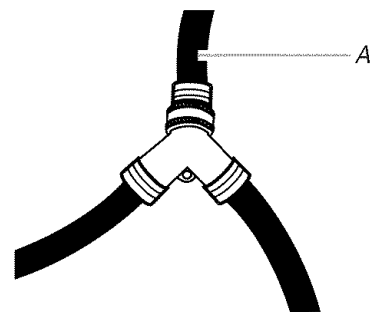
- Fije la manguera corta al grifo de agua fría. Atornille el acoplamiento con la mano hasta que quede asentado en el grifo.
- Usando las pinzas, apriete los acoplamientos dos tercios de vuelta adicional.



NOTA: No apriete demasiado. Se puede dañar el acoplamiento.

- Fije el conector en "Y" al extremo macho de bronce de la manguera pequeña. Atornille el acoplamiento con la mano hasta que quede asentado en el conector.
- Fije el extremo recto de la manguera larga al conector en "Y".
- Fije la manguera de entrada de agua fría de la lavadora al otro extremo del conector en "Y". Atornille el acoplamiento con la mano hasta que quede asentado en el conector.

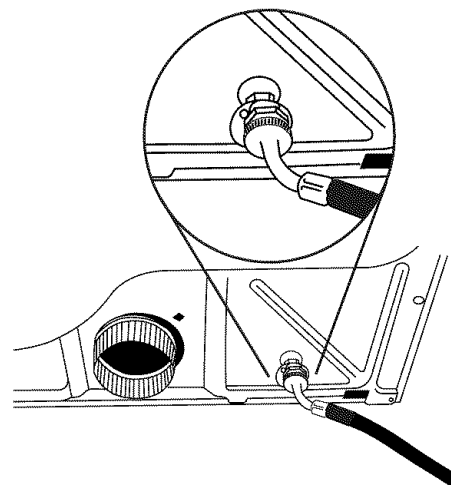
- Usando las pinzas, apriete los acoplamientos dos tercios de vuelta adicional.



A. Entrada al agua fría

NOTA: No apriete demasiado. Se puede dañar el acoplamiento.

- Fije el extremo en ángulo de la manguera larga para llenar la válvula, al fondo del panel posterior de la secadora. Atornille el acoplamiento con la mano hasta que quede asentado en el conector.
- Usando las pinzas, apriete el acoplamiento dos tercios de vuelta adicional.

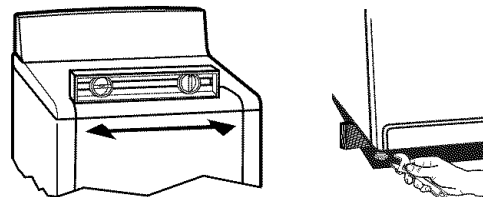


NOTA: No apriete demasiado. Se puede dañar el acoplamiento.

- Verifique que los grifos de agua estén abiertos.
- Verifique si hay fugas alrededor del conector en "Y", de los grifos y de las mangueras.

Nivelación de la secadora

Revise la nivelación de la secadora. Verifique primero de lado a lado y luego del frente hacia atrás.



Si la secadora no está nivelada, apunte la secadora, usando un bloque de madera. Use una llave de tuercas para regular las patas hacia arriba o hacia abajo y verifique nuevamente si la secadora está nivelada.

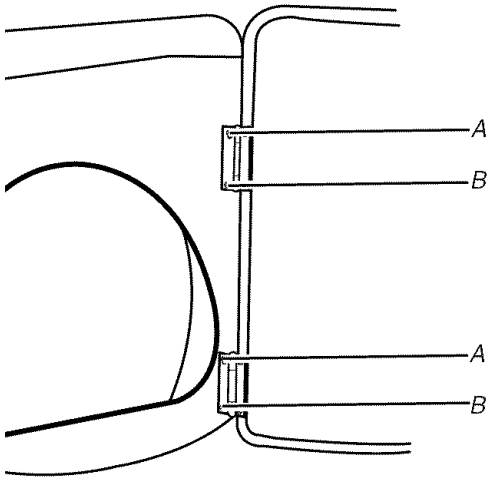
Cómo invertir el cierre de la puerta

Usted puede invertir el cierre de la puerta de la apertura a la derecha a la apertura a la izquierda, si lo desea.

1. Coloque una toalla o un paño suave en la parte superior de la secadora o de la superficie de trabajo, para proteger la superficie.

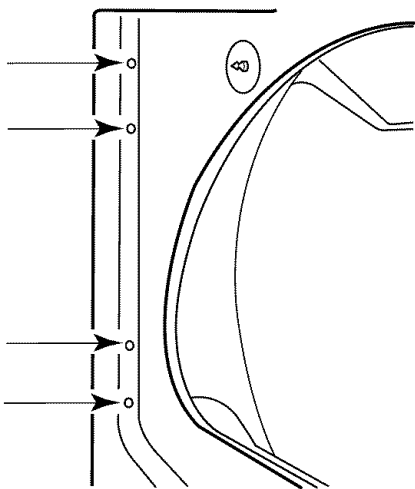
Cómo quitar el ensamblaje de la puerta

1. Abra la puerta de la secadora.
2. Quite el tornillo inferior de cada una de las 2 bisagras que unen la puerta de la secadora al panel frontal de la secadora.
3. Afloje el tornillo superior de cada una de las 2 bisagras en el paso 2.



A. Afloje estos tornillos.
B. Saque estos tornillos.

4. Quite la puerta de la secadora y las bisagras levantando la puerta. Coloque la puerta sobre una superficie plana y protegida con la parte interior de la puerta mirando hacia arriba. Quite los 2 tornillos flojos restantes del panel frontal de la secadora.
5. Quite los 4 tapones de plástico ubicados fuera de la abertura de la puerta de la secadora.

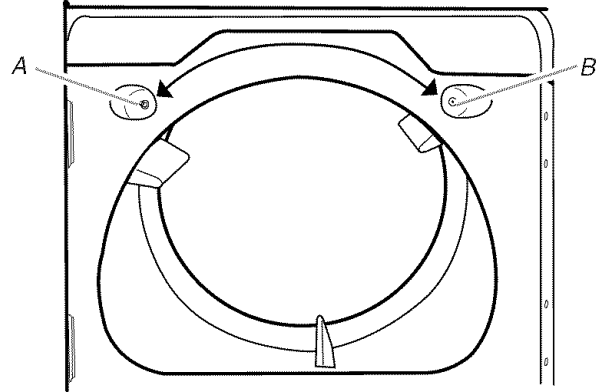


6. Instale los 4 tapones de plástico en los orificios de los tornillos de la secadora que quedaron cuando se quitaron las bisagras en el paso 4.

Cómo invertir el tope

1. Quite el tope de la puerta de la abertura de la puerta de la secadora.

2. Quite el tornillo de adorno del lado opuesto del tope de la puerta.



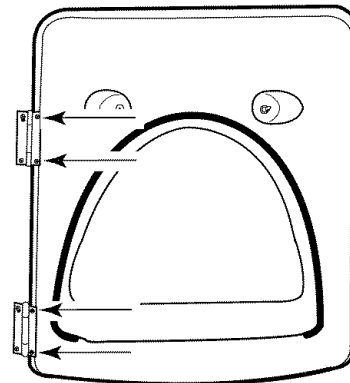
A. Tope de la puerta
B. Tornillo de adorno

3. Vuelva a instalar el tope de la puerta y el tornillo de adorno en el lado opuesto de la abertura de la puerta de la secadora de donde se quitaron.

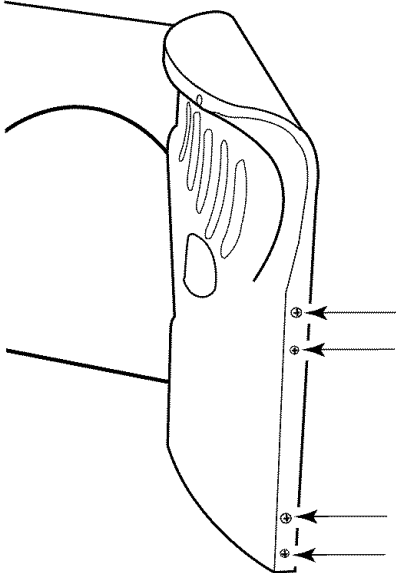
NOTA: El tope de la puerta y los tapones deben estar del mismo lado de la abertura de la puerta de la secadora.

Vuelva a instalar la puerta

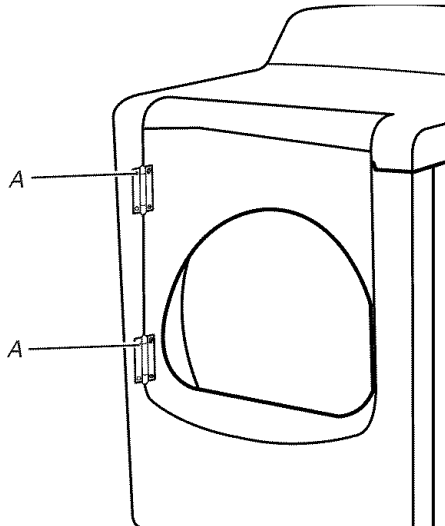
1. Quite los 4 tornillos y las 2 bisagras de la puerta de la secadora.
2. Vuelva a colocar los 4 tornillos en los mismos orificios.



3. Quite los 4 tornillos del lado opuesto de la puerta.

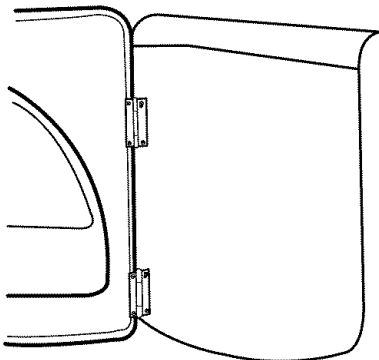


4. Instale las 2 bisagras en el panel frontal de la secadora usando 4 tornillos. Utilice el lado sin ranuras para ajustar la bisagra al panel frontal.
5. Coloque los tornillos en los orificios superiores en ambas bisagras en la puerta. No apriete los tornillos. Deje aproximadamente 1/4" (5 mm) de tornillo expuesto.



A. Instale estos tornillos primero.

6. Cuelgue la puerta colocando las cabezas de tornillo en los orificios superiores con ranuras de las bisagras y deslícela hacia abajo. Alinee los orificios de tornillo inferiores en la bisagra y la puerta. Instale los dos tornillos inferiores. Apriete todos los tornillos de las bisagras.



7. Cierre la puerta para enganchar el tope.

Complete la instalación

1. Revise para cerciorarse de que todas las piezas estén instaladas. Si hay alguna pieza extra, vuelva a revisar todos los pasos para ver cuál se omitió.
 2. Verifique si tiene todas las herramientas.
 3. Deshágase de todos los materiales de embalaje o recíclelos.
 4. Verifique que los grifos de agua estén abiertos.
 5. Verifique si hay fugas alrededor del conector en "Y", de los grifos y de las mangueras.
 6. Revise la ubicación final de la secadora. Asegúrese de que el ducto de escape no esté aplastado o retorcido.
 7. Verifique si la secadora está nivelada. Vea "Nivelación de la secadora".
 8. Para una instalación con cable de suministro de energía, enchufe en un contacto. Para una instalación con cableado directo, encienda el suministro de energía.
 9. Quite la película protectora o la cinta adhesiva que haya quedado en la secadora.
- NOTA:** Los modelos con puerta de vidrio tienen una película protectora en la ventana, la cual debe quitarse.
10. Lea "Uso de la secadora".
 11. Limpie el interior del tambor de la secadora meticulosamente con un paño húmedo para quitar residuos de polvo.
 12. Si usted vive en una zona donde hay agua dura, se recomienda usar ablandador de agua, para controlar la acumulación de sarro a través del sistema de agua en la secadora. Conforme pasa el tiempo, la acumulación de depósitos calcáreos puede obstruir diferentes partes del sistema de agua, lo cual reducirá el rendimiento del producto. La acumulación excesiva de sarro puede causar la necesidad de reemplazar ciertas piezas o de una reparación.
 13. Pruebe el funcionamiento de la secadora seleccionando un ciclo de secado programado (Timed Dry) con calor y ponga la secadora en marcha. Para esta prueba no seleccione el modificador de sólo aire (Air Only).

Si la secadora no funciona, revise lo siguiente:

- Que los controles estén fijados en una posición de funcionamiento u "On" (encendido).
- Que se ha presionado con firmeza el botón de Inicio (Start).
- Que la secadora está enchufada en un contacto y/o el suministro de energía eléctrica está encendido.
- Que el fusible de la casa esté intacto y ajustado, o que no se haya disparado el cortacircuitos.
- Que la puerta de la secadora esté cerrada.

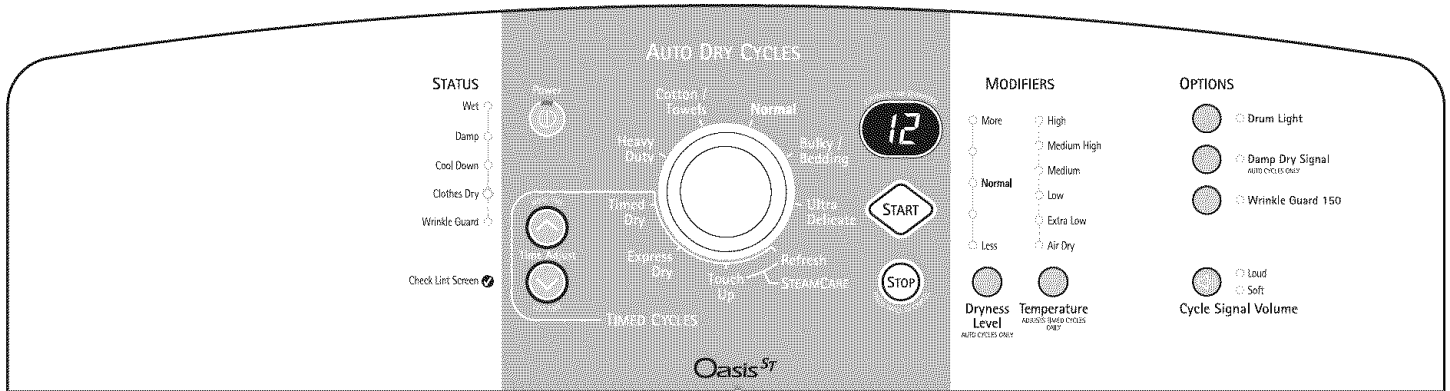
Esta secadora hace funcionar automáticamente una rutina de diagnóstico de instalación al comienzo del primer ciclo.

Si usted recibe un código L2, puede ser que haya un problema con el suministro de energía de la casa, lo que evita que se encienda el calentador de la secadora. Vea "Solución de problemas".

Si usted recibe un código "AF", el ducto de escape de su secadora puede estar presado o bloqueado. Vea "Solución de problemas".

NOTA: Cuando caliente la secadora por primera vez quizás sienta un olor a quemado. Este olor es común cuando se usa por primera vez el elemento de calefacción. El olor desaparecerá.

USO DE LA SECADORA



Puesta en marcha de la secadora

⚠ ADVERTENCIA



Peligro de Explosión

Mantenga los materiales y vapores inflamables, tales como la gasolina, alejados de la secadora.

No seque ningún artículo que haya tenido alguna vez cualquier sustancia inflamable (aún después de lavarlo).

No seguir estas instrucciones puede ocasionar la muerte, explosión o incendio.

⚠ ADVERTENCIA



Peligro de Incendio

Ninguna lavadora puede eliminar completamente el aceite.

No seque ningún artículo que haya tenido alguna vez cualquier tipo de aceite (incluyendo los aceites de cocina).

Los artículos que contengan espuma, hule o plástico deben secarse en un tendedero o usando un Ciclo de Aire.

No seguir estas instrucciones puede ocasionar la muerte o incendio.

ADVERTENCIA: A fin de reducir el riesgo de incendio, de choque eléctrico o de daños personales, lea las INSTRUCCIONES IMPORTANTES DE SEGURIDAD antes de operar el aparato.

Este manual cubre varios modelos diferentes. Es posible que su secadora no tenga todos los ciclos y las características descritos.

Siga estos pasos básicos para poner su secadora en marcha. Por favor consulte las secciones específicas de este manual para obtener información más detallada.

1. Limpie el filtro de pelusa antes de cada carga. Vea "Limpieza del filtro de pelusa".
2. Coloque la ropa en la secadora y cierre la puerta.
3. Presione el botón de suministro de energía (POWER).
4. Gire la perilla del selector de ciclos hacia el ciclo deseado. Los ajustes prefijados para los ciclos de secado automático (Auto Dry Cycles) o para los ciclos programados (Timed Cycles) se iluminarán. El tiempo estimado (ciclos de secado automático) o real (programados) del ciclo (en minutos) aparecerá en la pantalla.

NOTA: Cuando se selecciona un ciclo de secado automático aparece en la pantalla un tiempo prefijado. Durante los primeros minutos del proceso de secado, el tiempo de secado podrá variar automáticamente del tiempo prefijado de acuerdo con el tamaño de la carga y el tipo de tela. Hacia el final del proceso de secado, el tiempo estimado de la pantalla se ajustará nuevamente, mostrando el tiempo final de secado.

Sistema de secado de doble acción

El sistema de secado de doble acción usa dos motores: uno para hacer girar la ropa y otro para proveer el mejor flujo de aire para secar la carga. La secadora detecta y se adapta a la carga que usted va a secar, los ajustes del ciclo y la instalación de su casa, variando la velocidad del motor del soplador. Su secadora se ajustará continuamente a lo largo del ciclo de secado.

Cuando comienza un ciclo, escuchará cuando la ropa gira y luego el inicio del motor del soplador de doble acción. Es posible que escuche durante el ciclo el sonido del flujo de aire que aumenta o disminuye. Este sonido es normal.

Para usar un ciclo de secado automático (Auto Dry Cycle)

- Presione el botón de suministro de energía (Power).
- Seleccione un ciclo de secado automático (Auto Dry Cycle).
- Seleccione Nivel de sequedad (DRYNESS LEVEL) para regular el nivel de sequedad que usted desea para su ropa. A medida que avanza el ciclo, el control detecta el nivel de sequedad de la carga y regula automáticamente el tiempo según el nivel de sequedad seleccionado.

El ajuste de sequedad prefijado es Normal cuando se selecciona un ciclo de secado automático. Puede seleccionar un nivel de sequedad diferente según la carga, presionando Nivel de sequedad (DRYNESS LEVEL) y eligiendo Más (More), Normal o Menos (Less). Al seleccionar Más (More), Normal o Menos (Less) se ajusta automáticamente el nivel de sequedad, en el cual se apagará la secadora. Una vez que se haya fijado el nivel de sequedad, no podrá cambiarse si no se detiene el ciclo.

- Seleccione las Opciones deseadas.

Para hacer cambios durante un ciclo de secado automático:

- Presione Parada (STOP).
- Regule el nivel de sequedad (DRYNESS LEVEL).

NOTA: Las selecciones de Nivel de sequedad (Dryness Level) se pueden hacer únicamente con los ciclos de secado automático (Auto Dry).

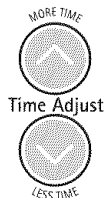


Los ciclos de secado automático (Auto Dry) eliminan el cálculo para el tiempo de secado y mejoran el cuidado de la tela. El tiempo que aparece en la pantalla corresponde al tiempo estimado que le falta al ciclo.

Para usar un ciclo programado

- Seleccione un ciclo programado (Timed cycle).
- Presione los botones de ajuste de tiempo (TIME ADJUST) Más tiempo (MORE TIME) o Menos tiempo (LESS TIME) hasta que el tiempo de secado deseado aparezca en la pantalla. Toque MORE TIME o LESS TIME y el tiempo cambiará en intervalos de 1 minuto. Presione y sostenga MORE TIME o LESS TIME y el tiempo cambiará en intervalos de 5 minutos.

NOTA: Las características de ajuste de ciclo programado (Timed Cycle Adjust) pueden ser usadas sólo con ciclos programados (Timed Cycles) y con el ciclo de Retoque (Touch Up).



- Presione Temperatura (TEMPERATURE) hasta que se ilumine la temperatura deseada.

NOTA: Durante un ciclo programado (Timed cycle), puede cambiar los ajustes de tiempo (Time), temperatura (Temperature), protección antiarrugas (WRINKLE GUARD®) y la señal de ciclo (Cycle Signal).

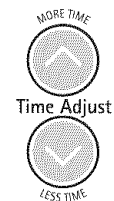
NOTA: La característica de temperatura puede usarse solamente con los ciclos programados (Timed Cycles) y con el ciclo de Retoque (Touch Up).

5. (PASO OPCIONAL) Si lo desea, seleccione opciones (OPTIONS). Para obtener más detalles, vea "Opciones".
6. (PASO OPCIONAL) Si lo desea, presione la señal de ciclo (CYCLE SIGNAL). Sonará una señal para avisarle cuando un ciclo ha terminado. Para obtener más detalles, vea "Señal de ciclo".
7. Presione Inicio (START). Cerciórese de que la puerta esté cerrada.
 - Si usted no oprime Inicio dentro de los 5 minutos de haber seleccionado el ciclo, la secadora se apaga automáticamente.
 - Si desea terminar el ciclo de secado después de presionar Inicio, presione Parada (STOP) dos veces.

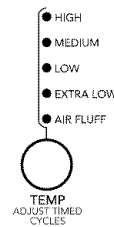
Para usar un Ciclo con vapor (SteamCare Cycle)

- Presione Encendido (POWER).
- Gire la perilla hacia el ciclo con vapor deseado.
- Presione las flechas hacia arriba o hacia abajo de Ajuste de ciclo programado (TIMED ADJUST) hasta que se vea el tiempo de secado que desea. Presione las flechas hacia arriba o hacia abajo y el tiempo cambiará en intervalos de 1 minuto. Presione y sostenga las flechas de hacia arriba o hacia abajo y el tiempo cambiará en intervalos de 5 minutos.

NOTA: El ajuste de ciclo programado puede usarse sólo con los tiempos programados (Timed Cycles) y el ciclo de Retoque (Touch Up).



- Presione Temperatura (TEMP) hasta que se ilumine la temperatura deseada.



NOTA: La característica de temperatura se puede usar solamente con los ciclos programados (Timed Cycles) y con el ciclo de Retoque (Touch Up).

NOTA: Durante el ciclo de Retoque (Touch Up), usted puede cambiar los ajustes para Ajuste de ciclo programado (Timed Cycle Adjust) y el Ajuste de temperatura (Temp Adjust). Abra la puerta o presione Pausa/Anulación (PAUSE/CANCEL) una vez para pausar el ciclo, o presione PAUSE/CANCEL dos veces para cancelar un ciclo.

Cómo detener, pausar y volver a poner en marcha

Para detener o hacer una pausa de la secadora en cualquier momento

Abra la puerta u oprima Parada (STOP) una vez. Presione Parada (STOP) dos veces para cancelar un ciclo.

Para reanudar la marcha de la secadora

Cierre la puerta. Presione y sostenga Inicio (START) hasta que la secadora inicie la marcha.

NOTA: El secado continuará desde la etapa en que se interrumpió el ciclo si usted cierra la puerta y presiona Inicio dentro de los 5 minutos siguientes. Si se interrumpe el ciclo durante más de 5 minutos, la secadora se apagará. Seleccione nuevos ajustes de ciclo antes de volver a poner la secadora en marcha.

Sugerencias de ciclos y secado

Seleccione el ciclo y el nivel de secado o la temperatura correctos para su carga. Si está en marcha un ciclo de secado automático (Auto Dry Cycle) la pantalla muestra el tiempo estimado del ciclo, que la secadora determina al detectar automáticamente el nivel de sequedad de la carga. Si está funcionando un ciclo programado (Timed Cycle), la pantalla muestra el número exacto de minutos restantes en el ciclo.

El enfriamiento (Cool Down) hace rotar la ropa sin calor durante los últimos minutos de todos los ciclos. El enfriamiento hace que las prendas se puedan manejar con más facilidad y reduce la formación de arrugas. La duración del enfriamiento depende del tamaño de la carga y el nivel de sequedad.

Sugerencias de secado

- Siga las instrucciones de cuidado de la etiqueta cuando estén disponibles.
- Si desea, agregue una hoja de suavizante de telas. Siga las instrucciones del paquete.
- Quite la carga de la secadora tan pronto se detenga la rotación para reducir la formación de arrugas. Esto es de especial importancia para los tejidos de planchado permanente, de punto y de fibras sintéticas.
- Evite el secar la ropa de trabajo pesada junto con telas más livianas. Esto podría ocasionar un secado excesivo de las telas más livianas, dando lugar a un mayor encogimiento o formación de arrugas de las mismas.

Sugerencias de ciclos

- Seque la mayoría de las cargas usando los ajustes prefijados de ciclos.
- Consulte el cuadro de Ajustes prefijados automáticos o programados (en la sección "Ciclos") a fin de obtener una guía para el secado de diversas cargas de ropa.
 - La temperatura de secado y el nivel de secado están prefijados cuando usted elige un ciclo de secado automático. Usted puede seleccionar un nivel de sequedad distinto, según su carga de ropa, al presionar Nivel de sequedad (Dryness Level) y elegir Más (More), Normal o Menos (Less).

NOTA: Usted no puede usar el ajuste de tiempo (Time Adjust) ni puede elegir la temperatura con los ciclos de secado automático (Auto Dry Cycles).
 - Si desea regular la duración de un ciclo programado, presione las flechas de Más tiempo (More Time) o Menos tiempo (Less Time) del ajuste de tiempo (Time Adjust). Ajuste la temperatura de un ciclo programado presionando Temperatura (Temperature) hasta seleccionar la temperatura deseada.

NOTA: Usted no puede elegir el nivel de sequedad (Dryness Level) con los ciclos programados (Timed Cycles).

Luces de estado

Observe el progreso de su secadora con las luces indicadoras de estado.



Mojado (Wet)

La luz de Wet se ilumina al comienzo de los ciclos de secado automático si se detecta un artículo mojado.

- En un ciclo de secado automático, si después de 5 minutos no se han detectado artículos mojados, la secadora procede directamente a la fase de enfriamiento y los indicadores de Enfriamiento (Cool Down) y Protector antiarrugas (WRINKLE GUARD®) se iluminan si han sido seleccionados.
- En un ciclo programado (Timed Cycle), no se detectan los artículos mojados. La secadora continuará funcionando por la duración seleccionada de tiempo y la luz de mojado (Wet) se encenderá. La luz de húmedo (Damp) no se encenderá.

Húmedo (Damp)

La luz de Damp se ilumina en un ciclo de secado automático cuando la ropa está aproximadamente 80% seca. La señal de semi seco (Damp Dry Signal) suena, si se ha seleccionado. Vea "Opciones".

Enfriamiento (Cool Down)

La luz de Cool Down se ilumina durante la etapa de enfriamiento del ciclo. La ropa se enfría para facilitar su manejo.

Ropa seca (Clothes Dry)

La luz de Clothes Dry se ilumina cuando el ciclo de secado ha terminado. Esta luz indicadora permanece encendida con WRINKLE GUARD®.

Protección antiarrugas (WRINKLE GUARD®)

La luz de WRINKLE GUARD® se ilumina cuando se ha seleccionado esta opción. Esta luz indicadora permanece encendida con WRINKLE GUARD®.

Revisar el filtro de pelusa (Check Lint Screen)

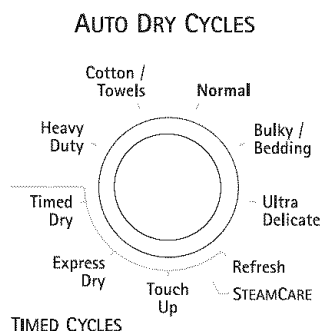
La luz de revisar el filtro de pelusa (Check Lint Screen) le recuerda que debe controlar el filtro de pelusa. La luz se enciende cuando el usuario selecciona un ciclo. Se apaga cuando se abre la puerta, cuando se presiona Inicio (Start) o después de que pasen 5 minutos.

Luces indicadoras

Las otras luces indicadoras muestran los ajustes de ciclo, opciones, modificadores y la señal de ciclo seleccionados. La pantalla muestra el tiempo estimado o real restante.

Ciclos

Seleccione el ciclo de secado de acuerdo con el tipo de carga que va a secar. Vea los cuadros de Ajustes prefijados de ciclos automáticos o programados.



Ciclos de secado automático

Los ciclos de secado automático (Auto Dry Cycles) le permiten regular el ciclo según la carga que va a secar. Vea el siguiente cuadro de Ajustes prefijados de ciclos automáticos. Cada ciclo seca determinadas telas a la temperatura recomendada. Un sensor detecta la humedad de la carga y regula automáticamente el tiempo de secado para lograr un secado óptimo.

Secado intenso (Heavy Duty)

Use este ciclo para obtener calor alto para las cargas pesadas mixtas, de algodón y pantalones de mezclilla.

Algodón/Toallas (Cotton/Towels)

Use este ciclo para obtener calor alto para secar los tejidos pesados, tales como toallas, sábanas o prendas de algodón.

Normal

Use este ciclo para obtener calor medio para secar ropa informal de trabajo, mezclas de planchado permanente o ropa de trabajo.

Artículos voluminosos/Ropa de cama (Bulky/Bedding)

Use este ciclo para obtener calor medio para secar artículos grandes que requieran tiempos de secado muy prolongados, tales como chaquetas, edredones y almohadas rellenas de fibras de algodón o poliéster. Vuelva a arreglar la carga cuando suene la Señal de Semi Seco (Damp Dry). Este paso facilitará el proceso de secado.

Ropa ultradelicada (Ultra Delicate)

Use este ciclo para obtener calor extra bajo para secar cuidadosamente artículos como lencería, blusas o tejidos de punto lavables.

Ajustes prefijados de ciclos automáticos

Siga las instrucciones de cuidado de la etiqueta.

Ciclos de secado automático Tipo de carga	Temperatura	Tiempo* (Minutos)
Secado intenso (HEAVY DUTY) Cargas pesadas mixtas, algodón y pantalones de mezclilla	Alta (High)	50
Algodón/Toallas (COTTON/TOWELS) Toallas, sábanas, prendas de algodón	Alta	45
NORMAL Ropa informal, planchado permanente	Media(Medium)	40
Artículos voluminosos/Ropa de cama (BULKY/BEDDING) Chaquetas, edredones y almohadas rellenas de fibras de algodón o poliéster	Media	60
Ropa ultradelicada/ (Ultra Delicate) Lencería, blusas, tejidos de punto lavables	Extra baja (Extra Low)	25

*Tiempo estimado con ajuste de nivel (normal) de secado automático. El tiempo variará según el tipo y tamaño de carga.

Ciclos con vapor (SteamCare Cycles)

Use los Ciclos con vapor (SteamCare Cycles) para ayudar a suavizar las arrugas de los artículos que ya están secos, tales como ropa que ha sido usada o ropa que se ha dejado en la secadora por mucho tiempo. Al seleccionar un Ciclo con vapor (SteamCare Cycle), la pantalla de tiempo estimado restante muestra el tiempo real restante en el ciclo.

NOTA: Los resultados pueden variar dependiendo de la tela. Pueden obtenerse mejores resultados con prendas de 100% de algodón con acabado antiarrugas, que las que no lo tienen.

No se recomienda usar hojas de suavizante de telas con los ciclos de vapor, ya que puede ocasionar manchas temporarias en las prendas.

Revitalizado (REFRESH)

Este ciclo es mejor para suavizar las arrugas y reducir los olores de cargas que consisten en uno a cuatro artículos secos de algodón antiarrugas, mezclas de algodón y poliéster, tejidos comunes y prendas sintéticas. En este ciclo, se rocía una pequeña cantidad de agua en el tambor de la secadora después de algunos minutos de rotación con calor. La secadora continuará rotando con calor, seguido por un breve enfriamiento. El nivel de calor y el tiempo del ciclo no son ajustables.

Retoque (Touch Up)

Este ciclo es mejor para retocar la ropa que se ha dejado en la secadora por mucho tiempo. En este ciclo, se rocía una pequeña cantidad de agua en el tambor de la secadora después de algunos minutos de rotación con calor. La secadora continuará rotando con calor, seguido por un breve enfriamiento. Pueden ajustarse el tiempo de secado y la temperatura para este ciclo.

NOTA: Al sobrecargar la secadora puede ser que no se obtengan los mismos resultados.

Ajustes prefijados del ciclo con vapor (SteamCare)

Ciclos programados (Timed Cycles) Tipo de carga	Temperatura prefijada	Tiempo prefijado (Minutos)
Revitalizado Ayuda a suavizar las arrugas y a reducir los olores de las cargas que consisten en uno a cuatro artículos secos.	Media alta (Medium High)	15
Retoque (Touch Up) Ayuda a suavizar las arrugas en las cargas que se han dejado en la secadora por mucho tiempo.	Media alta (Medium High)	20

Ciclos programados (Timed Cycles)

Use los ciclos programados (Timed Cycles) para seleccionar una cantidad específica de tiempo de secado y temperatura de secado. Al seleccionar un ciclo programado, la pantalla de Tiempo estimado restante (Estimated Time Remaining) muestra el tiempo real restante del ciclo. Puede cambiar el tiempo real del ciclo presionando los botones de ajuste de tiempo (TIME ADJUST) (Más tiempo o Menos tiempo). Vea "Cambio de ciclos, modificadores y opciones".

NOTA: Los ciclos programados pueden también usarse con el estante de la secadora. Vea "Estante de la secadora".

Secado programado (Timed Dry)

Use este ciclo para terminar el secado de artículos que todavía están húmedos después de un ciclo de secado automático. El secado programado es también útil para secar artículos pesados y voluminosos como frazadas y ropa de trabajo. Las prendas de peso liviano, tales como ropa de ejercicio, pueden secarse usando el secado programado (Timed Dry) en un ajuste bajo de temperatura.

Secado expreso (EXPRESS DRY™)

Use este ciclo para secar cargas pequeñas o cargas que necesitan un tiempo de secado corto.

Ajustes prefijados de ciclos programados

Ciclos programados Tipo de carga	Temperatura por defecto	Tiempo por defecto* (Minutos)
Secado programado (TIMED DRY) Ropa pesada, ropa voluminosa, ropa de trabajo	Alta	40
Secado expreso (EXPRESS DRY™) Cargas pequeñas	Alta	23

*Los tiempos prefijados quedan grabados del ciclo previo.

Modificadores

Modificadores del ciclo de secado automático

Use el modificador de nivel de sequedad (Dryness Level) para seleccionar los niveles de sequedad para los ciclos de secado automático (Auto Dry Cycles). Presione el nivel de sequedad hasta que se ilumine el ajuste deseado de nivel de sequedad.

El ajuste de sequedad prefijado es Normal cuando se selecciona un ciclo automático. Puede seleccionar un nivel de sequedad diferente según la carga, presionando Nivel de sequedad (Dryness Level) y eligiendo Más (More), Normal o Menos (Less). Al seleccionar Más (More), Normal o Menos (Less) se ajusta automáticamente el nivel de sequedad, en el cual se apagará la secadora. Una vez que se haya fijado el nivel de sequedad, no podrá cambiarse si no se detiene el ciclo.

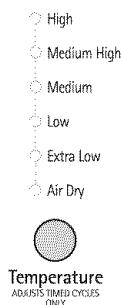
NOTA: Las selecciones de nivel de sequedad no pueden usarse con los ciclos programados.



Modificadores de los ciclos programados

Use el modificador de temperatura para seleccionar las temperaturas para los ciclos programados. Presione Temperatura (TEMPERATURE) hasta que se ilumine el ajuste deseado de temperatura.

NOTA: Los modificadores de temperatura no se pueden usar con los ciclos de secado automático.



Secado al aire (Air Dry)

Use el modificador de secado al aire para artículos que necesiten secarse sin calor como artículos de goma, de plástico y telas sensibles al calor. Esta tabla muestra ejemplos de artículos que pueden secarse usando secado al aire.

Tipo de carga	Tiempo* (minutos)
Goma espuma – almohadas, brasieres acolchados, juguetes de peluche	20 - 30
Plástico – cortinas de baño, manteles	20 - 30
Alfombras con reverso de goma	40 - 50
Olefina, polipropileno, nilón transparente	10 - 20

*Reajuste el ciclo para terminar de secar si fuera necesario.

Cuando use secado al aire

- Revise las cubiertas para ver si las costuras están firmes.
- Sacuda y palnotee las almohadas con la mano periódicamente durante el ciclo.
- Seque el artículo completamente. Las almohadas de goma espuma tardan en secar.

NOTA: El modificador de secado al aire no está disponible en los ciclos de secado automático.

Opciones

Usted puede personalizar sus ciclos al seleccionar opciones.

OPTIONS



Luz del tambor

Seleccione la luz del tambor (Drum Light) para encender la luz que está dentro del tambor de la secadora. Durante un ciclo, si se selecciona la luz del tambor, ésta se enciende y permanecerá encendida hasta que se presione nuevamente la luz del tambor (DRUM LIGHT), se abra y cierre la puerta o se deje la misma abierta por 5 minutos.

Cuando la secadora no esté funcionando, la luz del tambor se encenderá cuando se presione (DRUM LIGHT) o se abra la puerta de la secadora; permanecerá encendida hasta que la puerta de la secadora se haya dejado abierta por 5 minutos, se cierre la puerta de la secadora o se presione nuevamente la luz del tambor (DRUM LIGHT).

Presione DRUM LIGHT en cualquier momento para encender (ON) o apagar (OFF) la luz del tambor.

Señal de semi seco (Damp Dry Signal)

Seleccione la señal de semi seco para alertarle cuando su ropa esté aproximadamente 80% seca. Esto es útil cuando usted quiere quitar artículos livianos en una carga mixta para evitar que se sequen en exceso, o para quitar artículos parcialmente secos que pudiesen necesitar un planchado.

La señal de semi seco (DAMP DRY SIGNAL) es útil cuando seca sábanas/artículos de lino en una carga mixta. Cuando suene la señal, abra la puerta para detener la secadora, vuelva a arreglar la carga dentro de la secadora, cierre la puerta y vuelva a poner la secadora en marcha para terminar el ciclo de secado. El volver a arreglar la carga, ayudará en el proceso de secado.

NOTA: La señal de semi seco está disponible solamente con los ciclos de secado automático.

Protección antiarrugas (WRINKLE GUARD®) (30, 60, 90 y 150 minutos)

WRINKLE GUARD® ayuda a prevenir las arrugas que se forman cuando usted no puede descargar la secadora tan pronto termina el ciclo. Durante esta opción la secadora detiene la acción de rotación y luego rota nuevamente durante un período breve.

- Presione protección antiarrugas (WRINKLE GUARD®) para obtener una rotación periódica sin calor al final del ciclo. WRINKLE GUARD® periódicamente comienza y detiene la secadora, haciendo girar la ropa sin calor por 30, 60, 90 ó 150 minutos (dependiendo del modelo) a menos que usted abra la puerta de la secadora.
- Detenga la protección antiarrugas (WRINKLE GUARD®) en cualquier momento presionando el botón WRINKLE GUARD®, abriendo la puerta de la secadora o presionando Parada (STOP).
- Los ciclos de secado automático (Auto Dry) y de secado programado (Timed Dry) retendrán el ajuste de WRINKLE GUARD®. Por ejemplo, si usted selecciona WRINKLE GUARD® en el ciclo Normal, WRINKLE GUARD® estará encendida la próxima vez que seleccione el ciclo Normal.

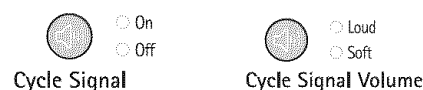
NOTA: Si usted no selecciona WRINKLE GUARD®, la secadora se detiene después del período de enfriamiento.

Señal de ciclo (Cycle Signal)

Señal de ciclo (Cycle Signal)

La señal de ciclo emite un sonido audible una vez que el ciclo de secado ha terminado. El quitar la ropa con prontitud al final del ciclo reduce la formación de arrugas.

Presione el volumen de la señal de ciclo (CYCLE SIGNAL VOLUME) hasta seleccionar el volumen deseado (Alto o Bajo). En algunos modelos, presione la señal de ciclo (CYCLE SIGNAL) para encender o apagar la señal de ciclo.



NOTA: Cuando se selecciona protección antiarrugas (WRINKLE GUARD®), se escuchará un sonido audible cada 5 minutos hasta que se saque la ropa o hasta que el período de protección antiarrugas (WRINKLE GUARD®) se haya terminado.

Cambio de ciclos, modificadores y opciones

Usted puede cambiar los ciclos automáticos y programados, modificadores y opciones en cualquier momento antes de presionar Inicio (Start).

- Al seleccionar una combinación no disponible se escuchan tres tonos audibles cortos. No se aceptará la última selección.

Cambio de ciclos después de presionar Inicio (Start)

1. Presione Parada (STOP) dos veces.
2. Seleccione el ciclo y las opciones deseados.
3. Presione Inicio (Start). La secadora vuelve a funcionar al comienzo del nuevo ciclo.

NOTA: Si usted no oprime Inicio dentro de los 5 minutos de haber seleccionado el ciclo, la secadora se apaga automáticamente.

Cambio de modificadores y opciones después de presionar Inicio

Usted puede cambiar un modificador u opción en cualquier momento antes de que comience el modificador u opción seleccionado.

1. Presione Parada una vez.
2. Seleccione el nuevo modificador y/u opción.
3. Presione Inicio para continuar el ciclo.

NOTA: Si accidentalmente presiona parada (STOP) dos veces, el programa se despejará y la secadora se apagará. Vuelva a iniciar el proceso de selección.

Cómo cambiar los ajustes prefijados de nivel de sequedad

Si todas las cargas de los ciclos de secado automático (Auto Dry) no están tan secas como usted quisiera, puede cambiar los ajustes prefijados de nivel de sequedad (Dryness Level) para aumentar la sequedad. Este cambio afectará todos los ciclos de secado automático.

Los ajustes de nivel de sequedad pueden ajustarse para adecuarse a las diferentes instalaciones, las condiciones del medio ambiente o las preferencias personales. Existen 3 ajustes de secado: 1 (nivel de sequedad prefijado de fábrica), 2 (prendas ligeramente más secas, aproximadamente 15% más de tiempo de secado) y 3 (prendas mucho más secas, aproximadamente 30% más de tiempo de secado).

1. Los ajustes de nivel de sequedad no pueden cambiarse mientras esté funcionando la secadora.
2. Presione y sostenga el botón de nivel de sequedad (Dryness Level) por 5 segundos. La secadora sonará, y aparecerá en la pantalla "CF" por 1 segundo seguido del ajuste de secado actual.
3. Para seleccionar un nuevo ajuste de secado, presione nuevamente el botón de nivel de sequedad (Dryness Level) hasta que aparezca el ajuste de secado deseado.
NOTA: Entre los ciclos de ajustes, el ajuste actual no destellará, pero sí los otros ajustes.
4. Presione Inicio (START) para grabar el ajuste de secado.
5. El ajuste de secado que usted seleccionó se convertirá en el nuevo ajuste de secado prefijado para todos los ciclos de secado automático.

Estante de la secadora

El estante de la secadora fue embalado dentro del tambor de la secadora.

Use el estante de la secadora para artículos que usted no quiere secar con rotación, como son suéters.

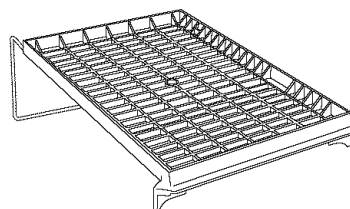
Use el Secado programado (Timed Dry) para seleccionar la duración deseada.

NOTA: No use ciclos de secado automático con el estante de secado.

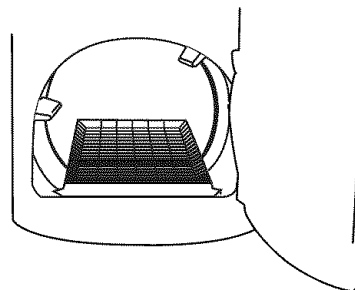
Para usar el estante de la secadora:

No quite el filtro de pelusa.

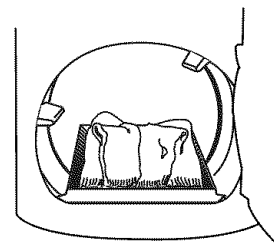
1. Abra la puerta de la secadora.



2. Deslice el estante de la secadora sobre la parte inferior de la abertura de la secadora. Deje el alambre posterior sobre el reborde de la parte posterior de la secadora. Empuje hacia abajo el frente del marco para asegurarlo sobre el filtro de pelusa.



3. Coloque los artículos mojados encima del estante. Deje espacio alrededor de los artículos para que circule el aire. El estante no se mueve, pero el tambor rotará. Asegúrese que los artículos no cuelguen por los bordes o entre las rejillas del estante.



4. Cierre la puerta.
5. Seleccione secado programado (TIMED DRY) y ajuste el tiempo (TIME ADJUST) más tiempo (MORE TIME) o menos tiempo (LESS TIME). Consulte el cuadro a continuación.
6. Seleccione el ajuste deseado de temperatura para el tipo de telas en la carga presionando temperatura (TEMPERATURE). Los artículos que contengan espuma, hule o plástico deben secarse en un tendedero o usando un ciclo de aire. Consulte el cuadro a continuación.
7. Ponga la secadora en marcha.

NOTA: Revise el filtro de pelusa y quite cualquier pelusa acumulada proveniente de los artículos que se han secado en el estante.

Artículos sugeridos para el secado en el estante	Ajuste de ciclo	Tiempo sugerido* (Minutos)
Artículos lavables de lana (déles forma y extiéndalos en sentido plano en el estante)	Bajo (Low)	20
Juguetes de peluche o almohadas (con relleno de algodón o fibra de poliéster)	Bajo	30
Juguetes de peluche (con relleno de goma espuma)	Secado al aire (Air Dry)	50
Galochas (de goma)	Secado al aire	20
Almohadas de goma espuma	Secado al aire	50
Zapatillas de tenis	Secado al aire	20

*Vuelva a fijar el tiempo de secado según como sea necesario para lograr un secado completo.

NOTA: Usted debe quitar el estante para un secado normal. Para quitar el estante de secado, levántelo directamente hacia arriba y afuera de la secadora.

CUIDADO DE LA SECADORA

Limpeza del lugar donde está la secadora

Mantenga el área donde está la secadora despejada y libre de artículos que pudieran obstruir el flujo de aire para la combustión y la ventilación.

⚠ ADVERTENCIA



Peligro de Explosión

Mantenga los materiales y vapores inflamables, como la gasolina, lejos de la secadora.

Coloque la secadora a un mínimo de 46 cm sobre el piso para la instalación en un garaje.

No seguir estas instrucciones puede ocasionar la muerte, explosión o incendio.

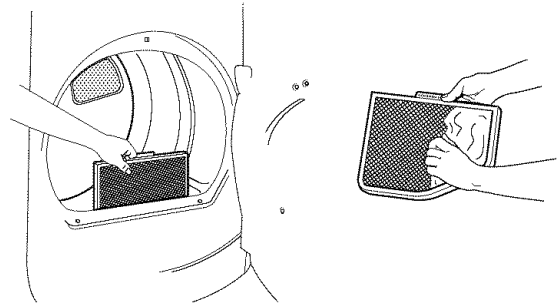
Limpeza del filtro de pelusa

Limpeza de cada carga

El filtro de pelusa está ubicado en la abertura de la puerta de la secadora. El panel de control tiene una luz indicadora para recordarle que tiene que limpiar el filtro de pelusa antes de cada carga. Un filtro obstruido con pelusa puede aumentar el tiempo de secado.

Para limpiar

1. Jale el filtro de pelusa en sentido recto hacia arriba. Quite la pelusa del filtro enrollándola con sus dedos. No enjuague ni lave el filtro para quitar la pelusa. La pelusa mojada es difícil de quitar.



2. Empuje el filtro de pelusa firmemente de vuelta en su lugar.

IMPORTANTE:

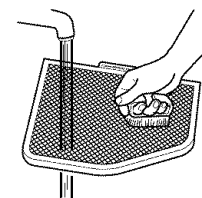
- No ponga a funcionar la secadora con un filtro de pelusa flojo, dañado, obstruido o sin él. El hacerlo puede causar un sobrecalentamiento y dañar tanto la secadora como la ropa.
- Si al quitar la pelusa del filtro, ésta cae en la secadora, revise la capota de ventilación y quite la pelusa. Vea "Requisitos de ventilación".

Limpeza según la necesidad

Los residuos de detergente de lavandería y suavizante de telas pueden acumularse en el filtro de pelusa. Esta acumulación puede ocasionar tiempos de secado más prolongados para su ropa, o hacer que la secadora se detenga antes que su carga esté completamente seca. Si la pelusa se cae del filtro cuando éste está en la secadora, es probable que el filtro esté obstruido. Limpie el filtro de pelusa con un cepillo de nailon cada 6 meses o con más frecuencia si se obstruye debido a la acumulación de residuos.

Para lavar

1. Quite la pelusa del filtro enrollándola con sus dedos.
2. Moje ambos lados del filtro de pelusa con agua caliente.
3. Moje un cepillo de nailon con agua caliente y detergente líquido. Refriegue el filtro de pelusa con el cepillo para quitar la acumulación de residuos.



4. Enjuague el filtro con agua caliente.
5. Seque meticulosamente el filtro de pelusa con una toalla limpia. Vuelva a colocar el filtro en la secadora.

Limpieza del interior de la secadora

Para limpiar el tambor de la secadora

1. Haga una pasta con un detergente de lavandería en polvo y agua tibia.
2. Aplique la pasta a un paño suave.
O
Aplique al área manchada un producto de limpieza doméstico líquido, no inflamable y frótelos con un paño suave hasta quitar todo el exceso de tinte y manchas.
3. Limpie el tambor meticulosamente con un paño húmedo.
4. Ponga a funcionar la secadora con una carga de ropa limpia o toallas para secar el tambor.

NOTA: Las prendas que contienen tintes desteñibles, tales como los pantalones de mezclilla o artículos de algodón de colores vivos, pueden teñir el interior de la secadora. Estas manchas no dañan su secadora y no mancharán las cargas de ropa futuras. Seque al revés los artículos que destiñen para evitar la transferencia de tintes.

Eliminación de pelusa acumulada

En el interior del gabinete de la secadora

Según el uso de la secadora, se debe quitar la pelusa cada 2 años, o con más frecuencia. La limpieza deberá efectuarla una persona calificada.

En el ducto de escape

La pelusa debe ser quitada cada 2 años, o con más frecuencia, de acuerdo con el uso de la secadora.

Mangueras de entrada de agua

Reemplace las mangueras de entrada y el filtro de la manguera después de 5 años de uso para reducir el riesgo de que fallen. Revise periódicamente y cambie las mangueras de entrada si se hallan protuberancias, torceduras, cortes, desgaste o pérdidas de agua.

Cuando reemplace las mangueras de entrada del agua, anote la fecha de reposición.

Cuidado durante las vacaciones, el almacenamiento y las mudanzas

Instale y guarde su secadora en un lugar donde no se congele. Debido a que queda un poco de agua en las mangueras, el congelamiento de la misma podría dañar su secadora. Si va a guardar o trasladar su secadora durante una temporada de invierno riguroso, acondiciónela para el invierno.

Cuidado durante las vacaciones o falta de uso

Ponga la secadora a funcionar sólo cuando esté en casa. Si va a salir de vacaciones o no va a usar su secadora por un tiempo prolongado, usted deberá:

1. Desenchufar la secadora o desconectar el suministro de energía.
2. Limpiar el filtro de pelusa. Vea "Limpieza del filtro de pelusa".
3. Interrumpa el suministro de agua a la secadora. Esto ayuda a evitar inundaciones accidentales (debido a aumentos en la presión del agua) en ausencia suya.

Para acondicionar la secadora para el invierno

1. Desenchufe la secadora o desconecte el suministro de energía.
2. Cierre el grifo de agua.
3. Desconecte la manguera de entrada de agua del grifo y elimine el agua.

Para volver a usar la secadora

1. Deje correr agua por las tuberías. Vuelva a conectar la manguera de entrada del agua al grifo. Abra el grifo del agua.
2. Enchufe la secadora o reconecte el suministro de energía.

Cuidado para la mudanza

Para secadoras conectadas al cable de suministro eléctrico:

1. Desenchufe el cable de suministro de energía.
2. Cierre el grifo de agua.
3. Desconecte la manguera de entrada de agua del grifo y elimine el agua de la manguera. Transporte la manguera en forma separada.
4. Asegúrese de que las patas niveladoras estén fijadas en la base de la secadora.
5. Use cinta adhesiva para asegurar la puerta de la secadora.

Para secadoras con cableado directo:

⚠ ADVERTENCIA



Peligro de Choque Eléctrico

Desconecte el suministro de energía antes de darle mantenimiento.

Vuelva a colocar todos los componentes y paneles antes de hacerlo funcionar.

No seguir estas instrucciones puede ocasionar la muerte o choque eléctrico.

1. Desconecte el suministro de energía.

2. Desconecte el cableado.
3. Cierre el grifo de agua.
4. Desconecte la manguera de entrada de agua del grifo y elimine el agua de la manguera. Transporte la manguera en forma separada.
5. Asegúrese de que las patas niveladoras estén fijadas en la base de la secadora.
6. Use cinta adhesiva para asegurar la puerta de la secadora.

Cómo volver a instalar la secadora

Siga las "Instrucciones de instalación" para ubicar, nivelar y conectar la secadora.

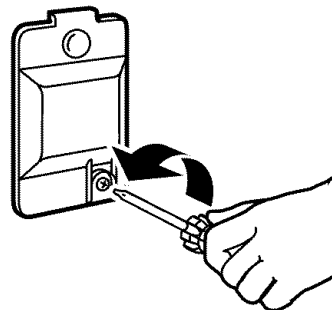
Cambio de la luz del tambor

La luz de la secadora se enciende automáticamente en el interior del tambor de la secadora cuando usted abre la puerta.

Para cambiar la luz del tambor

1. Desenchufe la secadora o desconecte el suministro de energía.

2. Abra la puerta de la secadora. Localice la cubierta del foco de luz en la pared posterior de la secadora. Quite el tornillo ubicado en la esquina inferior derecha de la cubierta. Quite la cubierta.



3. Gire el foco en sentido contrario a las manecillas del reloj. Reemplácelo únicamente con un foco para electrodomésticos de 10 Watts. Vuelva a colocar la cubierta en su lugar y asegúrela con el tornillo.
4. Enchufe la secadora o reconecte el suministro de energía.

SOLUCIÓN DE PROBLEMAS

Pruebe primero las soluciones aquí sugeridas y posiblemente se evite el costo de una visita de servicio técnico...

Funcionamiento de la secadora

La secadora no funciona

- **¿Hay un fusible de la casa fundido o se disparó el cortacircuitos?**
Reemplace el fusible o reposicione el cortacircuitos. Es posible que la secadora eléctrica tenga 2 fusibles o cortacircuitos. Asegúrese de que ambos fusibles estén intactos y ajustados, o de que ambos cortacircuitos no se hayan disparado. Si el problema continúa, llame a un electricista.
- **¿Es el suministro de energía el correcto?**
Las secadoras eléctricas requieren un suministro eléctrico de 240 voltios. Verifique con un electricista calificado.
- **¿Se usó un fusible normal?**
Use un fusible retardador.
- **¿Está cerrada con firmeza la puerta de la secadora?**
- **¿Se oprimió con firmeza el botón de Inicio?**
Para cargas más grandes puede ser necesario presionar y sostener el botón de Inicio (Start) 2 a 5 segundos.

Sin calor

- **¿Hay un fusible de la casa fundido o se disparó el cortacircuitos?**
El tambor quizás rote pero sin calor. Las secadoras eléctricas utilizan 2 fusibles o cortacircuitos. Reemplace el fusible o reposicione el cortacircuitos. Si el problema continúa, llame a un electricista.

Sonidos raros

- **¿Ha estado la secadora sin uso por una temporada?**
Si no se ha usado la secadora por una temporada, es posible que se escuche un sonido fuerte durante los primeros minutos de funcionamiento.
- **¿Hay una moneda, botón o sujetapapeles entre el tambor y la parte frontal o trasera de la secadora?**
Revise los bordes frontales y traseros del tambor para verificar si hay objetos pequeños. Limpie los bolsillos antes del lavado.
- **¿Están las cuatro patas instaladas y está la secadora nivelada de frente hacia atrás y de lado a lado?**
La secadora puede vibrar si no está instalada adecuadamente. Vea "Instrucciones de instalación".
- **¿Las prendas están enredadas o hechas un ovillo?**
Si la carga está hecha un ovillo, rebotará haciendo vibrar a la secadora. Separe los artículos de la carga y reinicie la secadora.
- **¿Se escuchan sonidos inusuales en cualquier momento durante el ciclo?**
Es posible que escuche cuando comienza el motor del soplador del sistema de secado de doble acción, cuando cambia de velocidad o cuando aumenta o disminuye el flujo de aire. Estos sonidos son normales. Vea "Sistema de secado de doble acción" en "Uso de la secadora".

■ **¿Está vibrando la secadora?**

Es posible que el sistema de secado de doble acción esté haciendo funcionar el soplador a su máxima velocidad. Es posible que esto sea necesario para las condiciones de su hogar. Verifique que el ducto de escape cumpla con los requisitos enumerados en las "Instrucciones de instalación".

La secadora muestra mensajes codificados

■ **"PF" (corte de corriente), revise lo siguiente:**

¿Se ha interrumpido el ciclo de secado por un corte de corriente? Presione y sostenga Inicio (START) para reanudar la marcha de la secadora.

■ **Código de diagnóstico "L2" (problema de bajo voltaje o no hay voltaje en la línea):**

El tambor rotará, pero puede ser que haya un problema con el suministro eléctrico de la casa, lo que evita que se encienda el calentador de la secadora. La secadora seguirá funcionando cuando esté presente este código de diagnóstico. Presione cualquier botón para despejar el código de la pantalla y para que reaparezca el tiempo estimado restante.

■ **Intente lo siguiente:**

Verifique si hay un fusible de la casa fundido o si se disparó el cortacircuitos. Las secadoras eléctricas utilizan dos fusibles o cortacircuitos domésticos. Reemplace el fusible o reposicione el cortacircuitos.

Verifique que el cable eléctrico esté instalado como es debido. Consulte "Conexión eléctrica" para ver los detalles.

Seleccione un ciclo de Secado programado (Timed Dry) con calor y vuelva a poner la secadora en marcha.

Si continúa el mensaje, consulte a un electricista competente.

■ **"AF" (problema de bajo flujo de aire):**

La secadora seguirá funcionando cuando esté presente este código de diagnóstico. Presione cualquier botón para despejar el código de la pantalla y para que reaparezca el tiempo estimado restante.

Intente lo siguiente:

Limpie el filtro de pelusa.

Verifique si está aplastado o retorcido el tendido del ducto de escape de la secadora a la pared.

Confirme que el tendido de escape de la secadora a la pared esté libre de pelusa y desechos.

Confirm the exterior vent exhaust hood is free of lint and debris.

Confirme que el sistema de ventilación se encuentre dentro de la longitud de tendido recomendada y que el número de codos sea el correcto para el tipo de ducto de escape que está usando. Consulte "Planificación del sistema de ventilación" para ver los detalles.

Seleccione un ciclo de Secado programado (Timed Dry) con calor y vuelva a poner la secadora en marcha.

Si el mensaje continúa, haga limpiar todo el tendido de ventilación de la casa.

■ **"F" códigos de servicio técnico variables (F1, F2, F20, etc):**

Llame solicitando servicio técnico. Para contactar el servicio técnico de Sears, sírvase llamar al **1-800-4-MY-HOME® (1-800-469-4663)** o vea la contraportada de este manual.

Resultados de la secadora

Las prendas no se secan satisfactoriamente, los tiempos de secado son demasiado largos o la carga está demasiado caliente

■ **¿Está el filtro de pelusa obstruido con pelusa?**

El filtro de pelusa debe ser limpiado antes de cada carga.

⚠ ADVERTENCIA



Peligro de Incendio

Use un ducto de escape de metal pesado.

No use un ducto de escape de plástico.

No use un ducto de escape de aluminio.

No seguir estas instrucciones puede ocasionar la muerte o incendio.

■ **¿Está obstruido con pelusa el ducto de escape o la capota de ventilación, restringiendo el flujo del aire?**

Ponga a funcionar la secadora unos 5 a 10 minutos. Ponga su mano debajo de la capota de ventilación para verificar el movimiento del aire. Si no lo siente, limpie la pelusa del sistema de ventilación o reemplace el ducto de escape con uno de metal pesado o de metal flexible. Vea "Instrucciones de instalación".

■ **¿Están las hojas del suavizante de telas bloqueando la rejilla?**

Use únicamente una hoja del suavizante de telas y úsela una sola vez.

■ **¿Tiene el ducto de escape el largo correcto?**

Controle el ducto de escape para verificar que no sea demasiado largo o no dé demasiadas vueltas. Una ventilación larga aumentará el tiempo de secado. Vea "Instrucciones de instalación".

- **¿Es el diámetro del ducto de escape del tamaño correcto?**
Use un material de ventilación de 4" (10,2 cm) de diámetro.

⚠ ADVERTENCIA



Peligro de Explosión

Mantenga los materiales y vapores inflamables, como la gasolina, lejos de la secadora.

Coloque la secadora a un mínimo de 46 cm sobre el piso para la instalación en un garaje.

No seguir estas instrucciones puede ocasionar la muerte, explosión o incendio.

- **¿Está la secadora ubicada en una habitación cuya temperatura está debajo de 45°F (7°C)?**
El funcionamiento apropiado de los ciclos de la secadora requiere temperaturas superiores a 45°F (7°C).
- **¿Está la secadora ubicada en un armario?**
Las puertas del armario deben tener aberturas de ventilación en la parte superior e inferior de la puerta. La parte posterior de la secadora necesita un espacio libre de 5" (12,7 cm). Vea "Instrucciones de instalación".
- **¿Se ha seleccionado el modificador de secado al aire (Air Dry)?**
Seleccione la temperatura para el tipo de prendas que se estén secando. Vea "Modificadores".
- **¿Está la carga demasiado voluminosa y pesada para secarse con rapidez?**
Separe la carga de modo que pueda rotar libremente.
- **¿No están todas las cargas de los ciclos de secado automático tan secas como usted desearía?**
Puede cambiar los ajustes prefijados de Nivel de sequedad para aumentar la sequedad de todos los ciclos de secado automático. Vea "Cambio de ciclos, modificadores y opciones".
- **¿Hay partes húmedas o mojadas en las prendas cuando las saca del ciclo de Revitalizado (Refresh)?**
Es posible que la ropa se seque poco bajo ciertas condiciones ambientales o de instalación. Seleccione el ciclo de Retoque (Touch Up) (tiempo prefijado de 20 minutos), el cual se puede personalizar seleccionando una temperatura oprimiendo TEMP y/o tiempo de ciclo adicional, presionando los botones hacia arriba o hacia abajo de Ajuste de ciclo programado (Timed Cycle Adjust).

El tiempo del ciclo es demasiado corto

⚠ ADVERTENCIA

Peligro de Peso Excesivo

Use dos o más personas para mover e instalar la secadora.

No seguir esta instrucción puede ocasionar una lesión en la espalda u otro tipo de lesiones.

- **¿Está terminando más rápido el ciclo de secado automático?**
Quizás la carga no está haciendo contacto con las bandas del detector. Nivele la secadora.

Cambie el ajuste del nivel de secado en ciclos de secado automáticos. Aumentar o disminuir el nivel de secado cambiará la cantidad de tiempo de secado en un ciclo.

No use un estante de secado con un ciclo automático.

Pelusa en la ropa

- **¿Está obstruido el filtro de pelusa?**
Limpie el filtro de pelusa. Verifique si hay movimiento de aire.

Manchas en la carga o en el tambor

- **¿Se ha empleado adecuadamente el suavizante de telas?**
Agregue hojas de suavizante de telas al comienzo del ciclo. Las hojas del suavizante de telas que se agregan a una carga parcialmente seca pueden manchar las prendas.

Las manchas en el tambor están causadas por los tintes en las prendas (habitualmente los pantalones de mezclilla). Esto no se transferirá a otras prendas.

Ropa arrugada

- **¿Se ha sacado la ropa de la secadora al final del ciclo?**
Seleccione el ciclo de Retoque (Touch Up) para hacer girar la carga con agua y calor, para ayudar a suavizar las arrugas de una carga que se ha dejado en la secadora.
- **¿Se ha sobrecargado la secadora?**
Seque cargas menos voluminosas que puedan rotar con libertad. Con las cargas más pequeñas, se obtienen mejores resultados en el ciclo de Revitalizado (Refresh). Los resultados pueden variar también, dependiendo del tipo de tela. Este ciclo es el mejor para reducir las arrugas y los olores de las cargas que consisten en artículos de algodón antiarrugas, mezclas de algodón y poliéster, tejidos comunes y prendas sintéticas.

■ **¿Están las cargas todavía arrugadas después de los ciclos de cuidado con vapor (SteamCare)?**

Asegúrese de que se ha conectado el agua a la secadora. Verifique que la manguera de entrada de agua esté conectada tanto al grifo como a la válvula de entrada de agua de la secadora. Verifique que esté conectado el suministro de agua. Este ciclo es el mejor para suavizar las arrugas y reducir los olores de las cargas que consisten en artículos secos de algodón antiarrugas, mezclas de algodón y poliéster, tejidos comunes y prendas sintéticas.

NOTA: Vea las instrucciones de la etiqueta de cuidado de las prendas. No se recomienda para las prendas que se laven en seco solamente.

Olores

- **¿Ha estado pintando, tiñendo o barnizando recientemente el área donde se encuentra la secadora?**
De ser así, ventile el área. Cuando los olores o humos se hayan esfumado del área, vuelva a lavar y secar la ropa.
- **¿Se está usando la secadora por primera vez?**
El nuevo elemento calefactor eléctrico puede despedir un olor. El olor desaparecerá después del primer ciclo.
- **¿Se ha conectado el agua a la secadora?**
Verifique que la manguera de entrada de agua esté conectada tanto al grifo como a la válvula de entrada de agua de la secadora. Verifique que esté abierto el suministro de agua.
- Para quitar los olores que queden de las prendas después de usarlas, seleccione el ciclo de Revitalizado (Refresh), para las cargas pequeñas de 2 a 4 prendas. Este ciclo es el mejor para reducir las arrugas y los olores de las cargas que consisten en artículos de algodón antiarrugas, mezclas de algodón-poliéster, tejidos comunes y prendas sintéticas.

Get it fixed, at your home or ours!

Your Home

For expert troubleshooting and home solutions advice:

manage my home

www.managemyhome.com

For repair – **in your home** – of **all** major brand appliances, lawn and garden equipment, or heating and cooling systems, **no matter who made it, no matter who sold it!**

For the replacement parts, accessories and owner's manuals that you need to do-it-yourself.

For Sears professional installation of home appliances and items like garage door openers and water heaters.

1-800-4-MY-HOME[®] (1-800-469-4663)

Call anytime, day or night (U.S.A. and Canada)

www.sears.com www.sears.ca

Our Home

For repair of carry-in items like vacuums, lawn equipment, and electronics, call anytime for the location of your nearest

Sears Parts & Repair Service Center

1-800-488-1222 (U.S.A.) **1-800-469-4663** (Canada)

www.sears.com www.sears.ca

To purchase a protection agreement on a product serviced by Sears:

1-800-827-6655 (U.S.A.) **1-800-361-6665** (Canada)

Para pedir servicio de reparación a domicilio, y para ordenar piezas:

1-888-SU-HOGAR[®]

(1-888-784-6427)

Au Canada pour service en français:

1-800-LE-FOYER^{MC}

(1-800-533-6937)

www.sears.ca

Sears