



EN ■ Automatic Espresso/Cappuccino Maker

READ CAREFULLY AND STORE FOR FUTURE USE.

- This appliance may be used by persons with physical or mental impairments or by inexperienced persons, if they are properly supervised or have been informed about how to use the appliance in a safe manner and understand the potential dangers. Children must not use this appliance or play with it. Keep this appliance and the power cord out of reach of children.
- Before connecting the appliance to a power socket, check that the rated voltage on its rating label matches the electrical voltage in the power socket. Always connect the removable power cord to the appliance first and only then connect it to the power socket.
- Connect the appliance only to a properly grounded socket.
- This appliance is designed for household use only. It is not intended for use in locations such as:
 - staff kitchens in stores, offices and other workplaces;
 - hotel or motel rooms and other living areas;
 - agricultural farms;
 - bed and breakfast establishments.
- Do not place the appliance on window sills, kitchen sink drainboards or unstable surfaces. Always place it on a stable, even and dry surface.
- Do not place the appliance on an electric or gas stove or in its vicinity, do not place it in the vicinity of an open fire or an appliance that is a source of heat.
- Never use the appliance in the near vicinity of a bath, shower or swimming pool.
- Use the appliance only for the purposes for which it was designed.
- Only use the appliance with the original accessories that came with it.
- To ensure sufficient air circulation during operation, there must be a clearance of at least 15 cm on all sides of the appliance.
- Do not use the top surface of the appliance as a shelf for placing items.
- Fill the water tank with clean cold water. Do not pour hot water or other liquids into it.
- Before turning on the appliance, check that it is properly assembled.
- The appliance generates hot water and steam during its operation. Pay increased attention to avoid scalding.
- The hot water function must not be used continuously, no more than one full water tank at a time.
- Only use the built-in coffee grinder for grinding coffee beans. Do not use it for any other purposes.

**Warning:**

Incorrect use may lead to injuries.

- Make sure that no hair or other items enter the grinder while it is grinding. The coffee bean hopper lid should always be properly closed unless one is refilling coffee beans or setting the fineness of the grind.

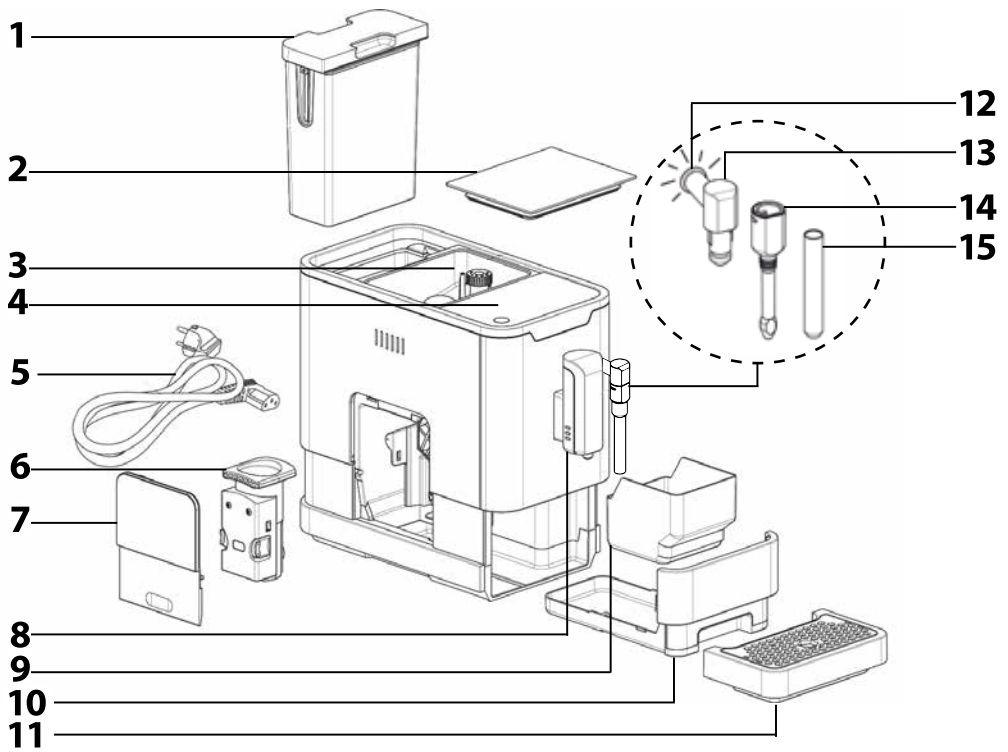
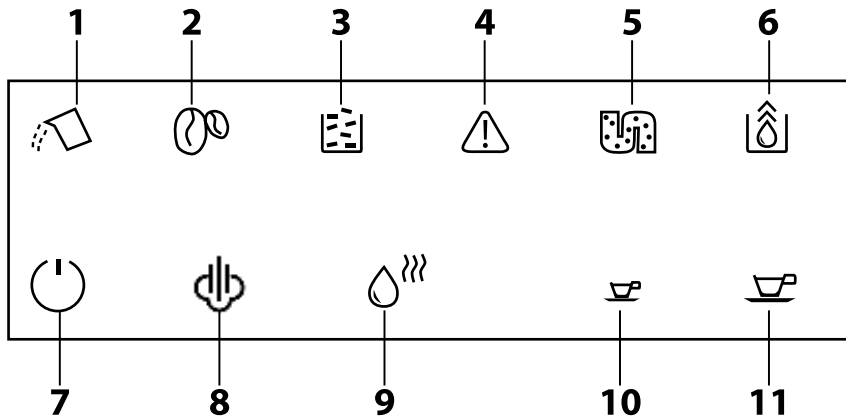
**Warning:**

Accessible surfaces are liable to get hot during use.

- When using the appliance, its accessible surfaces may heat up. Do not touch the hot surface.

**Warning: Hot Steam**

- Be aware of risk of burns because of hot steam under pressure from steam wand. Follow the instruction in section "Operating the appliance."
- Switch off the appliance and disconnect from power supply before changing accessories or approaching parts that move in use.
- Always turn off the appliance and disconnect it from the power socket when not using it, when leaving it without supervision, before assembling, disassembling, moving or cleaning it.
- Allow the appliance to cool down before disassembling or cleaning it.
- Keep the appliance and its accessories in clean condition. Clean and maintain it according to the instructions in chapter Cleaning and maintenance. Never wash the appliance under running water or immerse it in water or another liquid.
- Disconnect the appliance from the power socket by pulling on the plug, never pulling on the power cord. Otherwise, this could damage the power cord or the socket.
- The appliance is equipped with a removable power cord. If the power cord is damaged, it must be replaced by the manufacturer, its authorised service centre or by a similarly qualified person, this will prevent the creation of a dangerous situation. It is forbidden to use the appliance if it has a damaged power cord.
- Make sure that the removable power cord does not come into contact with water or moisture.
- To avoid the danger of injury by electrical shock, do not repair the appliance yourself or make any adjustments to it. Have all repairs performed at an authorised service centre. By tampering with the appliance, you risk voiding your legal rights arising from unsatisfactory performance or quality warranty.

A**B**

C

1



2



D



Automatic Espresso/ EN Cappuccino Maker

User's manual

- Prior to using this appliance, please read the user's manual thoroughly, even in cases, when one has already familiarised themselves with previous use of similar types of appliances. Only use the appliance in the manner described in this user's manual. Keep this user's manual in a safe place where it can be easily retrieved for future reference.
- We recommend saving the original cardboard box, packaging material, purchase receipt and responsibility statement of the vendor or warranty card for at least the duration of the legal liability for unsatisfactory performance or quality. In the event of transportation, we recommend that you pack the appliance in the original box from the manufacturer.

DESCRIPTION OF THE APPLIANCE

- A1** 1.1-litre water tank
- A2** Coffee bean hopper lid
- A3** 150-gram coffee bean hopper
A grinder with adjustable grinding fineness is located inside.
- A4** Control panel with display
- A5** Removable power cord
- A6** Brewing unit
- A7** Service access door
- A8** Coffee and hot water spout
its height is adjustable.
- A9** Coffee grounds container
- A10** Inner drip tray
- A11** Outer drip tray
- A12** Steam indicator light
- A13** Steam nozzle
- A14** Nozzle cover
- A15** Metal tube

DESCRIPTION OF THE TOUCH CONTROL PANEL WITH DISPLAY

- B1** Insufficient water in the water tank signal
or
water tank not installed signal
- B2** Insufficient amount of coffee beans in the coffee bean hopper signal
- B3** Full coffee grounds container signal (indicator is lit)
or
the inner drip tray / coffee grounds container is not correctly installed signal (indicator is flashing)
- B4** Brewing unit not installed correctly signal (indicator is lit)
or
service access door is open or incorrectly installed signal (indicator is flashing)
- B5** Descaling required signal (indicator is lit)
or
descaling process is running signal (indicator is flashing)
- B6** Drain internal lines function is running
- B7** On/Off touch button
- B8** Froth milk with steam touch button
- B9** Dispense hot water touch button
- B10** Prepare espresso coffee touch button
- B11** Prepare lungo coffee touch button

BEFORE FIRST USE OF THE APPLIANCE

1. Remove all packaging materials from the appliance and remove any protective film, promotional tags or labels.
2. Install the appliance on an even, dry and clean surface. Take out the water tank **A1**, rinse it out with clean water with the addition of a small amount of neutral dishwashing detergent. Then rinse it out thoroughly using clean water, dry it and put it back in its place. Properly attach the outer drip tray **A11** to the appliance. Wipe the outer surface of the appliance with a lightly dampened cloth and then wipe it thoroughly dry.
3. Fully unwind the removable power cord **A5** and connect it to the corresponding socket at the rear of the appliance.
4. To ensure the optimal lifetime of the appliance, before using it for the first time, it is necessary to allow the internal components to rinse out with hot water several times. For this purpose, use button **B9** as described in chapter Operating the appliance.

FILLING THE WATER TANK

1. Grasp the water tank **A1** by its lid. It also serves as a carry handle. Lift it up and remove it from the rear part of the appliance.
2. Fill the water tank **A1** with clean water up to the maximum water mark (see fig. C1) and insert it back into the appliance. Make sure that the water tank **A1** is properly installed in its place.



Note:

The water that you pour into the water tank **A1** should ideally be at room temperature (approximately 25°C). Water that is too cold, could negatively affect the final taste of the coffee beverage.



Attention:

The water tank **A1** has a maximum capacity of 1.1 litres of water. Do not overfill it.

Never fill the water tank **A1** with warm or hot water, sparkling water or other liquids such as, for example, milk. This could damage the appliance.

Never fill the water tank **A1** by pouring in the water while it is inserted inside the appliance (see fig. C2). There is a danger of splashing the appliance or overflowing the water tank **A1**.

3. Do not leave water in the water tank **A1** for longer than one day. For brewing quality fresh coffee, it is necessary to always use fresh water. Otherwise, the flavour of the resulting beverage may be negatively affected.

FILLING THE COFFEE BEAN HOPPER

1. Remove the coffee bean hopper lid **A2**.
2. Pour roasted coffee beans into the coffee bean hopper **A3** and close the lid **A2**. Do not leave the lid of the coffee bean hopper **A2** open, otherwise, the coffee beans will lose their aroma more quickly.



Attention:

The coffee bean hopper **A2** has a maximum capacity of 150 g of coffee beans. Do not overfill it.

Never fill the coffee bean hopper **A3** with ground or instant coffee, caramelised or otherwise specially modified coffee beans, cocoa beans or other items that could result in damage to the appliance.

CONTROLLING THE FINENESS OF GROUND COFFEE

1. Use the grinding fineness regulator located inside the coffee bean hopper **A3** to set the grinding fineness of the coffee beans in 5 levels, see figure D.
2. Turning the regulator towards the position marked with the plus symbol sets a coarser grind, and turning it in the opposite direction sets a finer grind.
3. The fineness of the grind is set only while the grinder is running. Otherwise, you could damage your appliance. For darker coffee beans, we recommend setting a coarser grind, for lighter coloured coffee beans, we recommend a finer grind.
4. If the brewed coffee is flowing out very slowly, it means that the coffee grains are too finely ground and it is necessary to set a coarser grind. On the other hand, if the brewed coffee is flowing out too fast, it means that the coffee grains are too coarsely ground and it is necessary to set a finer grind.

RECOMMENDATIONS FOR PURCHASING AND STORING COFFEE

- To reduce the storage time, purchase coffee beans in smaller packages.
- Use fresh roasted coffee beans with a marked roasting date and consume them within 3 weeks of the roasting date.
- Store coffee beans in a cool, dark and dry location, ideally in an air-tight container.

OPERATING THE APPLIANCE

1. Make sure that the power cord connector **A5** is connected to the appliance. Connect the power cord plug **A5** to a power socket. Make sure that the water tank **A1** is refilled with fresh water and that the coffee bean hopper **A3** is filled with a sufficient quantity of coffee beans and that the appliance is properly assembled.



Note:

When refilling water and coffee beans, always follow the instructions provided in chapter Filling the water tank and Filling the coffee bean hopper.

2. To start the appliance, press touch button **B7**. When button **B7** is pressed, the appliance will switch to the stand-by mode.

- Place a cup, mug or glass underneath the spout **A8**. Set the height of the spout **A8** by sliding it up or down depending on the size of your cup, mug or glass. If the cup or glass is too tall, you may remove the outer drip tray **A11**. After removing the cup or glass, return the drip tray **A11** to its place.
- Based on your preference, you can prepare either a cup of espresso or lungo coffee. To start brewing your favourite cup of coffee, press touch button **B10** or **B11**. The respective touch button will start flashing and the spout **A8** will be lit. This signals that the coffee brewing process has started. The end of the process is signalled by the light on the button and spout **A8** turning off. Your coffee is now ready to be served.



Note:

If your coffee flowed out too slow or too fast, when preparing the next cup of coffee, adjust the grinder settings according to the instructions contained in the chapter Controlling the fineness of ground coffee. The adjusted fineness of the grind will become apparent after the next two cups of coffee.

- Press the hot water dispense button **B9** to start the hot water dosing process. Button **B9** will start flashing and steam wand **A13** will be lit. This signals that hot water is being dispensed. As soon as button **B9** and the steam indicator light **A12** turn off, the dispensing of hot water is complete. Now you may remove the cup, mug or glass filled with hot water.
- To prepare frothy milk for coffee, turn the steam nozzle **A13** toward to the drip tray **A11**. Press the steam button **B8**. Steam indicator light **A12** will flash and cleaning starts. After the steam indicator light stop flashing and stay on, place a container with milk under the steam nozzle and immerse the steam nozzle about 5 cm deep into the container. Press the steam button again. When the milk is hot enough with froth appeared. Then press again the steam button to stop the steam.



Note:

Make espresso before frothing milk, otherwise the espresso might be burnt because of high temperature.

- When you have finished using the appliance, turn it off by pressing button **B7**. Then clean it out according to the instructions in chapter Cleaning and maintenance. In the event that you do not turn off the appliance, to save power it will turn itself off automatically as described in chapter Setting a mode.

USER SETTINGS

- The amount of coffee or hot water can be regulated in the range from 25 to 250ml.
- Set the volume by pressing and holding down the respective button **B9**, **B10** or **B11** during the coffee extraction process or while the hot water is being dispensed. As soon as the required amount of coffee or hot water is in the cup, mug or glass, release the respective button. After releasing the button, 2 beeps will be sounded. This signals that the amount of coffee or hot water has been stored in memory.
- To reset to default settings, proceed according to the instructions in chapter Setting a mode.

SETTING A MODE

- The appliance can be set to an ECO mode, a fast mode or the default factory settings. In ECO mode, greater power savings are achieved. In the fast mode, the coffee is prepared faster than with the default factory settings.

	ECO mode	Fast mode	Default settings
Spout light A8	No	Yes	Yes
Pre-brew function*	Yes	No	Yes
Automatic shut-off time	10 minutes	30 minutes	20 minutes
Option to save amount of espresso / hot water to memory	Yes	Yes	Yes / Reset to default settings



***Note:**

The pre-brew function means that the ground coffee is first moistened with a small amount of water. This will cause the coffee to swell and thereby when it is subsequently fully brewed, its flavour will be developed fully, and its aromatic compounds and essential oils will be fully extracted.

- In the stand-by mode, press and hold down button **B7** for 5 seconds. Button **B7** will start flashing and at the same time other buttons will also be flashing or lit depending on the mode that is set.

	Button B9	Button B10	Button B11
ECO mode	Lit	Flashing	Flashing
Fast mode	Flashing	Lit	Flashing
Default settings	Flashing	Flashing	Lit

- To set the ECO mode, press button **B9**, to set the fast mode press button **B10** and to reset to default settings, press button **B11**. After setting a mode, 2 beeps will be made. In the event that you attempt to set a mode that is already set, the appliance will not react to the button being pressed.
- If you do not wish to change the mode settings, press button **B7** once more, or wait 5 seconds until the appliance automatically switches back to the stand-by mode.

CLEANING AND MAINTENANCE

Everyday cleaning and maintenance

- Timely cleaning and maintenance is very important for operating the appliance and extending its lifetime.
- Before cleaning, turn off the appliance, disconnect it from the power socket and allow it to cool down.
- Remove the outer drip tray **A11**. Empty out all its contents over a sink, and wash it using clean water and then dry it thoroughly.
- Slide out the inner drip tray **A10** with the coffee grounds container **A9**. Empty out the coffee grounds container **A9** and wash it with clean water. Then dry it thoroughly. Empty out the inner drip tray **A10** and if dirty, wipe it with a clean dampened cloth and then dry it thoroughly.
- Install the inner drip tray **A10**, coffee grounds container **A9** and the outer drip tray **A11** back in their place.
- For cleaning steam wand, unlock the nozzle cover **A14** by turning it to left. Then pull it downward to remove. Pull the metal tube **A15** downward to disassemble the nozzle cover and metal tube. Wash the nozzle cover and metal tube with fresh water.
- Slide out and remove the service access door **A7**. Press the brewing unit release button and take out the brewing unit **A6**. Wash it under running water and dry it out thoroughly.
- Install the brewing unit **A6** properly in its place and attach the service access door **A7**.
- In the event that the appliance will not be used again on the same day, empty out the contents of the water tank **A1** and put it back in its place.
- Once a month, it is recommended to thoroughly clean out the water tank **A1** using a soft cloth and a solution of water and neutral kitchen detergent. Then thoroughly rinse out the water tank **A1** with clean water, dry it and put it back in its place.
- Only clean the coffee bean hopper **A3** with a clean, dry cloth or paper towel. Do not clean it with water.
- To clean the outer surface of the appliance, use a clean, lightly dampened cloth. Then wipe everything so that it is thoroughly dry. Do not use solvents, steel wool, abrasive cleaning agents, etc. to clean the appliance.
- Do not submerge the appliance or its power cord in water and do not wash it under running water.

Self-Clean function

- When indicator **B5** lights up during operation, it is necessary to start the Self-Clean function.
- The appliance will work best when the Self-Clean function is used regularly, at least once per month, or more frequently based on the hardness of the water that is used. This will extend its lifetime and improve power efficiency because limescale deposits negatively affect electricity consumption.
- Fill the water tank **A1** all the way to the maximum water mark according to the instructions contained in chapter Filling the water tank.
- Add descaling agents specially intended for descaling espresso machine type appliances into the water tank **A1**. These agents can normally be purchased in specialised electrical appliance stores or in online stores. Follow the instructions on the manufacturer's packaging when dosing the purchased descaling agent.



Attention:

For descaling, do not use vinegar, etc. Otherwise, the appliance could be damaged.

- Under the spout **A8**, place a container with a capacity of at least 1.1l.
- In the stand-by mode, simultaneously press and hold down buttons **B7** and **B10** for 5 seconds. A beep is made and indicator **B5** and touch button **B10** will flash.
- To start the self cleaning process, press button **B10**.

**Note:**

In the event that you wish to return to the stand-by mode at this stage, press button **B7**.

- The progress of the self cleaning procedure is signalled by indicator **B5**. Take care to prevent scalding by hot water or the escaping steam. Do not interrupt the process in this phase.
- Once the water in the water tank **A1** is used up, indicator **B1** and button **B10** will start flashing. Empty out the remaining contents of the water tank **A1** and fill it up to the maximum water mark with clean water. When the filled water tank **A1** is inserted back into the appliance, indicator **B1** will turn off.
- Empty out the contents of the container under the spout **A8** and put it back in its place. To complete the self cleaning process, press button **B10**.
- When the self cleaning process is complete, the appliance will turn off automatically.

Manual cleaning (flushing the spout)

- We recommend that you always clean the coffee spout when you have finished using it. It is also recommended to do this when the appliance has not been used for an extended period of time.
- In the stand-by mode, simultaneously press and hold down buttons **B7** and **B9** for 5 seconds.
- The light on buttons **B9**, **B10** and **B11** will turn off. A small amount of water will flow out of the spout, which will flush it out. Water will flow into the drip tray **A11**.

**Attention:**

Avoid coming into contact with hot water.

- After finishing the manual clean, the appliance will switch back to the stand-by mode.

Drain internal lines

- It is recommended to drain the internal lines when you plan on not using the appliance for an extended period of time, before transporting it, etc.
- In the stand-by mode, simultaneously press and hold down buttons **B7** and **B11** for 5 seconds. Indicator **B6** will start flashing.
- Remove the water tank **A1** from the appliance. Indicator **B6** will be lit. This signals that the draining of the internal lines is running.

**Note:**

If you press button **B7** before taking out the water tank **A1**, you will return back to the stand-by mode.

- When the internal line draining process is complete, the appliance will turn off automatically.

TROUBLESHOOTING

Problem	Cause	Solution
The appliance is not working.	It is not connected to a power socket.	Connect it to a working power socket and press button B7 . Check that the power cord A5 is properly connected to the socket in the appliance and that the plug is properly inserted in the power socket.
There is no response when a button is pressed or the response is delayed.	Electromagnetic interference of the appliance is occurring. The touch panel is soiled.	Turn off the appliance and turn it back on again after several minutes. Turn off the appliance, disconnect it from the power socket and clean the panel using a clean, lightly dampened cloth and then thoroughly wipe it dry.
Coffee is not warm enough.	Cups have not been warmed up. The brewing unit A6 is too cold.	Warm up the cups. Flush out the spout three times before brewing coffee.
Coffee is not flowing out the spout.	The coffee spout is soiled.	Regularly clean the coffee spout according to the instructions in chapter Cleaning and maintenance.

The first cup does not taste particularly good.	There is an insufficient amount of ground coffee inside the brewing unit A6 .	Dispose of the first coffee that you brewed. The next cup will now be in order.
The coffee lacks froth.	The coffee beans are not fresh.	Use fresh coffee beans or try using a different brand of coffee.
The touch buttons are not sufficiently sensitive.	The touch buttons are not pressed properly.	It is necessary to use the appliance from the front. Press the bottom part of the icon of the touch button.
The appliance heats up for too long.	The appliance is soiled by limescale deposits.	Descale it according to the instructions in chapter Cleaning and maintenance.
The water tank A1 is removed or it is running out of water, but the respective indicator is not signalling anything.	The area around the connector at the bottom of the water tank A1 is damp or wet.	Thoroughly dry out any moisture or water in the vicinity of the connector.
Icon B3 lights up stably even if coffee grounds container is empty.	There is a time lock.	Take internal drip tray with coffee grounds container for more than 10s out.

TECHNICAL SPECIFICATIONS

Rated voltage range	220–240 V
Rated frequency.....	50–60 Hz
Rated power input	1 235–1 470 W
Noise level	75 dB(A)

The declared noise emission level of the appliance is 75 dB(A), which represents a level A of acoustic power with respect to a reference acoustic power of 1 pW.

We reserve the right to change text and technical specifications.

INSTRUCTIONS AND INFORMATION REGARDING THE DISPOSAL OF USED PACKAGING MATERIALS

Dispose of used packaging material at a site designated for waste in your municipality.

DISPOSAL OF USED ELECTRICAL AND ELECTRONIC EQUIPMENT

This symbol on products or original documents means that used electric or electronic products must not be added to ordinary municipal waste. For proper disposal, renewal and recycling hand over these appliances to determined collection points. Alternatively, in some European Union states or other European countries you may return your appliances to the local retailer when buying an equivalent new appliance.

Correct disposal of this product helps save valuable natural resources and prevents potential negative effects on the environment and human health, which could result from improper waste disposal. Ask your local authorities or collection facility for more details.

In accordance with national regulations penalties may be imposed for the incorrect disposal of this type of waste.

For business entities in European Union states

Correct disposal of this product helps save valuable natural resources and prevents potential negative effects on the environment and human health, which could result from improper waste disposal. Ask your local authorities or collection facility for more details.

Disposal in other countries outside the European Union

This symbol is valid in the European Union. If you wish to dispose of this product, request the necessary information about the correct disposal method from the local council or from your retailer.



This product meets all the basic requirements of EU directives related to it.