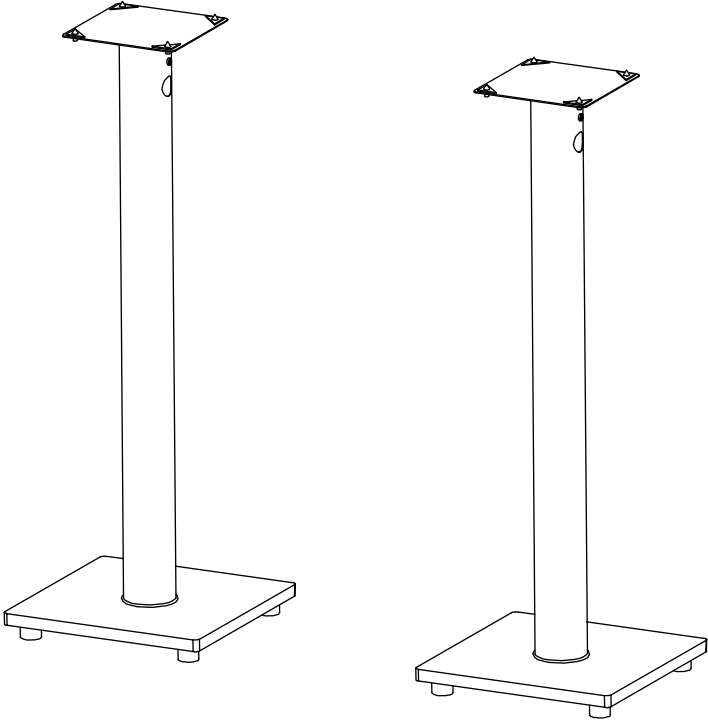


THIS INSTRUCTION BOOKLET CONTAINS
IMPORTANT SAFETY INFORMATION, PLEASE
READ AND KEEP FOR FUTURE REFERENCE.

Lot Number : _____
Date: _____
(For Factory Use Only)

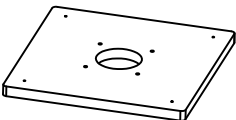
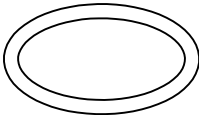
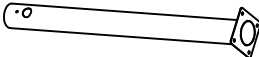
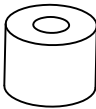
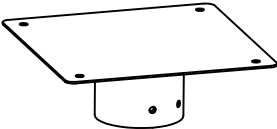
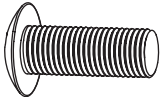
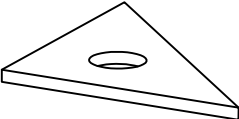


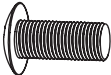
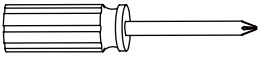


Bookshelf Speaker Stands

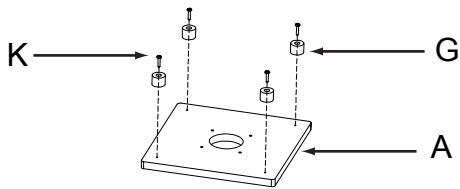
Item #77335799

Congratulations on your latest Atlantic purchase. Follow these instructions and you'll have this new product assembled in no time. If you need any help, or to order replacement/missing parts, please call 1-800-747-2660 or email customer_relations@atlantic-inc.com.

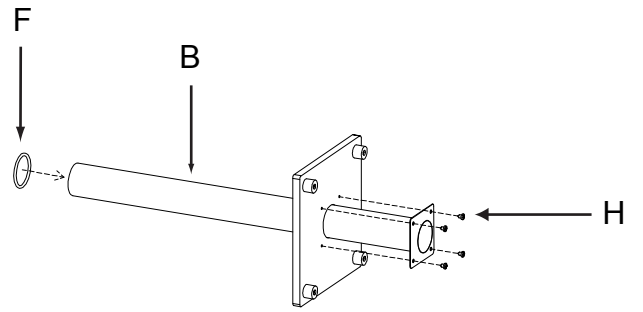
Parts List

Item	Components Parts List	Q'ty	Item	Components Parts List	Q'ty
A		1	F		1
B		1	G		4
C		1	H		4
D		4	K		4
E		4	M		1
Philips screwdriver needed (not included)					
					

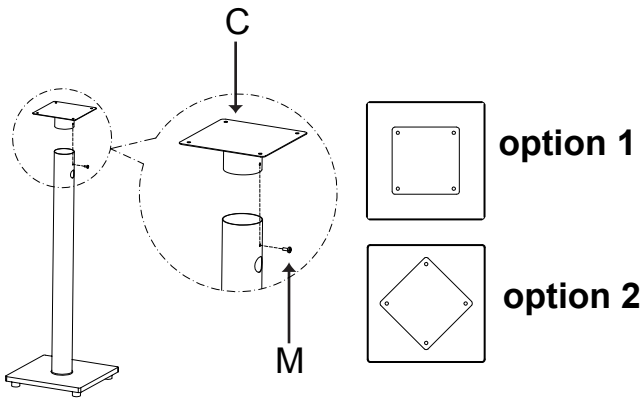




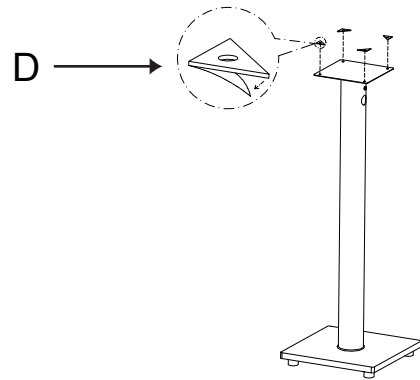
1. Fix feet (G) to underside of base (A) with screws (K).



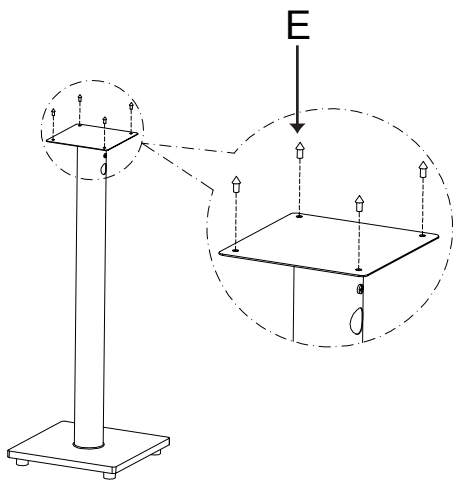
2. Insert main pipe (B) through the hole of base (A) and rubber ring (F), then fix it with screws (H).
Slide rubber ring over pole to base.



3. Insert top mount (C) into main pipe, fix it with screw (M).
Top mount rotates 45°. To rotate, unscrew (M) then rotate, then reinsert screw (M) to fix.

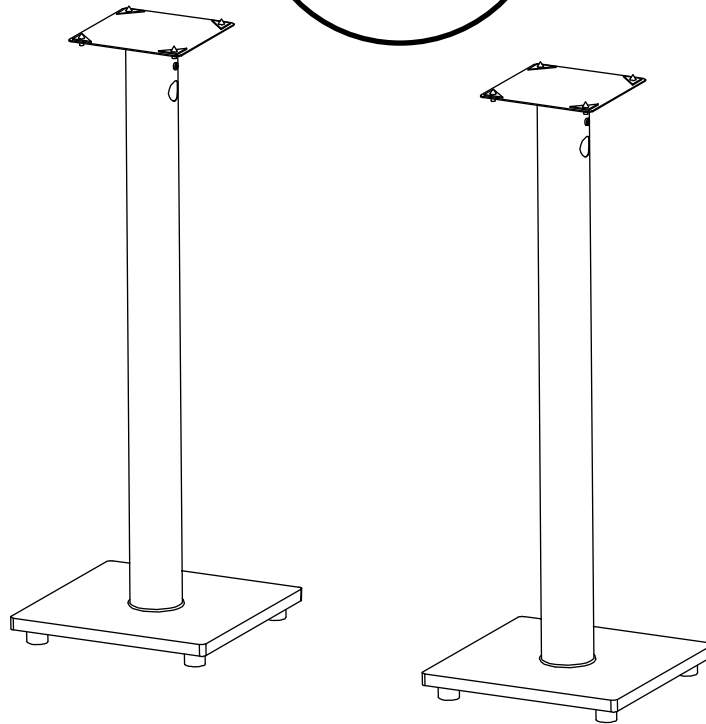


4. You may rest speaker either on 4 adhesive labels, or, 4 studs.
To use adhesive labels, peel off the cover of adhesive labels (D), then attach them to corners of top mount.
To use metal studs, see step 5.



5. Insert metal studs (E) into the holes, speaker will rest on metal studs.

Complete



Product Warranty: Atlantic Inc. warrants to the original purchaser that its products are free from defect in materials or workmanship. If after inspection, we find that the product was defective in materials or workmanship, we shall repair or replace the product at our discretion. This warranty does not cover accidental damage, misuse, improper care or alteration and excludes claims for incidental or consequential loss. This limited warranty applies to product purchased in the U.S. and Canada. This warranty gives you specific legal rights and you may also have other rights which vary from State to State. This warranty duration will be last one year.

Keep this Instruction Manual for future reference.

Keep your original proof of purchase (store receipt).

If parts are missing, DO NOT return to the store.

To order replacement / missing parts or for assembly assistance, please contact customer_relations@atlantic-inc.com.

Or call 1-800-747-2660 M-Th, 8am-5pm, Fri, 8am-12pm, P.S.T.

ATLANTIC®

© 2012 Atlantic Inc. Santa Fe Springs, CA, U.S.A.

U.S. and other foreign patents pending /

Patentes de los EUA y países extranjeros en trámite /

Brevets en cours pour les États-Unis et autres pays /

U.S. und andere ausländische Patente sind hängig

All rights reserved / Derechos Reservados /

Tous droits réservés

Made in China / Hecho en China /

Fabrique en Chine

www.atlantic-inc.com

R1.0 120101 #77335799