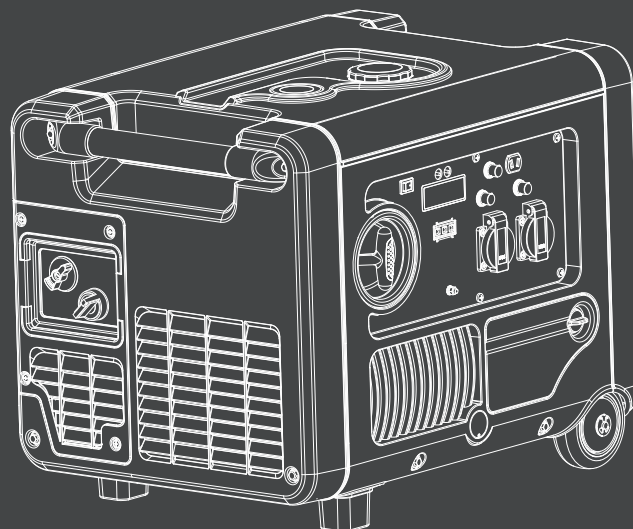


**HYUNDAI**  
POWER PRODUCTS

# **INVERTER GENERATOR**

## **HY4500SEi**

**User Manual**





# CONTENT

01. Safety information .....	03	07. Stop the engine .....	23
02. Safety label locations .....	06	08. Maintenance .....	24
03. Components identification .....	07	1) Change oil .....	24
1) Control Panel .....	08	2) Air cleaner service .....	26
2) ECON.SW .....	09	3) Spark plug service .....	27
3) RESET .....	10	4) Spark arrester maintenance .....	28
4) Hour-meter .....	10	5) Replace battery and fuse .....	29
04. Pre-operation check .....	11	09. Transporting/Storing .....	31
1) Check oil level .....	11	10. Troubleshooting .....	33
2) Check fuel level .....	12	11. Technical specifications .....	34
3) Check air cleaner .....	13	12. Wiring diagrams .....	35
05. Starting the engine .....	14	13. Appendix .....	36
06. Generator use .....	18	1) Environment correction .....	36
1) DC application .....	19	2) Noise and access .....	37
2) AC application .....	21	14. Consumer information .....	39
3) Output and overload indicator .....	22		
4) Oil alert system .....	22		

# 1.SAFETY INFORMATION

To ensure personal and property safety, please carefully read the following.









## **WARNING**

- Read and understand the user manual before using the generator.
- The emission of engine contains poisonous carbon monoxide. Use the generator in the ventilated condition.
- Do not touch the hot muffler, when the generator is running, or before cooling.
- Gasoline is explosive and flammable in the specified conditions. When refueling, the generator needs to be stopped and be kept cigarette and fire source away.
- Do not connect to the supply mains system or other generator, in order to avoid the electric shocks and fires.
- The running generator must keep one meter distance with constructions and other electrical appliances at least.
- Place the generator on the leveled surface, in order to avoid overturning or spilling fuel. Children and pets should be far away from the operation area.
- Do not use the generator in wet (raining, snowing) condition; do not operate with wet hand.
- Do not expose the generator to rain, moisture or snow.
- Place the generator at least 1 m away from buildings or other equipment during operation.
- Do not connect to other power sources. The major repair work should be carried out only by specifically trained person.

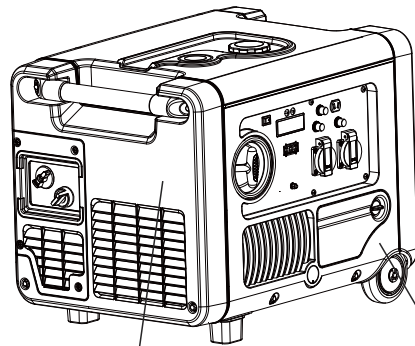
<<03>>

- Do not use the generator in underground working.
- Do not use the generator in potentially explosive atmospheres.
- Use personal protective equipment, glove, mask, earplugs, when you operate or maintain the generator.
- The circuit breakers require replacement, they should be replaced with a circuit breaker having identical ratings and performances characteristics.
- Do not spill out when filling fuel, if fuel filling. When the fuel oil spills out, clean it immediately with clean cloth.
- Place the generator on the leveled surface, in order to avoid overturning or spilling fuel.
- Children and pets should be far away from the operation area.
- The user that he shall conform to regulations of electrical safety applicable to the place where the generating sets are used.
- The user in the case of re-supply by generating sets of an installation, depending on existing protective measures in this installation and applicable regulations.

## SAFETY LABEL:

 <b>WARNING</b>		 <b>WARNING</b>	
	<ul style="list-style-type: none"> <li>• Not to refuel when operating.</li> <li>• Do not refuel when operating.</li> <li>• Do not refuel while smoking or flames.</li> <li>• Please clean the overflowing fuel.</li> </ul>		Do not connect to a building's electrical system.
	<ul style="list-style-type: none"> <li>• Let the generator cool before storing.</li> <li>• Gasoline is explosive and flammable, please use the generator outdoor.</li> </ul>		Do not expose the generator to rain, moisture or snow.
	<b>Exhaust gas is poisonous;</b> do not operate in an unventilated area [Carbon monoxide (CO) danger]		read the operator's instruction manual

## 2. SAFETY LABEL LOCATIONS



**WARNING** Battery hazard

1. Do not touch the battery terminals or the battery case when the generator is running. The battery is hot and may be under pressure. Contact with the battery or its terminals can cause a fire or explosion.

2. Do not use the generator in an enclosed space. The generator produces carbon monoxide (CO) gas, which is odorless and colorless. It can be fatal.

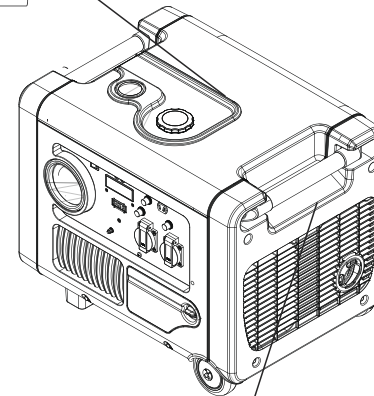
3. Do not use the generator in a confined space. The generator produces carbon monoxide (CO) gas, which is odorless and colorless. It can be fatal.

4. Do not use the generator in a confined space. The generator produces carbon monoxide (CO) gas, which is odorless and colorless. It can be fatal.

5. Do not use the generator in a confined space. The generator produces carbon monoxide (CO) gas, which is odorless and colorless. It can be fatal.



<p><b>WARNING</b></p> <p>Hot to touch when operating. Do not touch when operating. Do not touch when working at battery.</p> <p>Please check the oil level. Do not use generator until the oil level is correct. Do not use the generator until the oil level is correct.</p> <p>Exhaust gas is poisonous. Do not breathe in the exhaust gas. Do not breathe in the exhaust gas.</p>	<p><b>WARNING</b></p> <p>Do not connect to a building's electrical system.</p> <p>Do not support the generator. Do not support the generator. Do not support the generator.</p> <p>Read the operator's manual. Read the operator's manual. Read the operator's manual.</p>
--	--

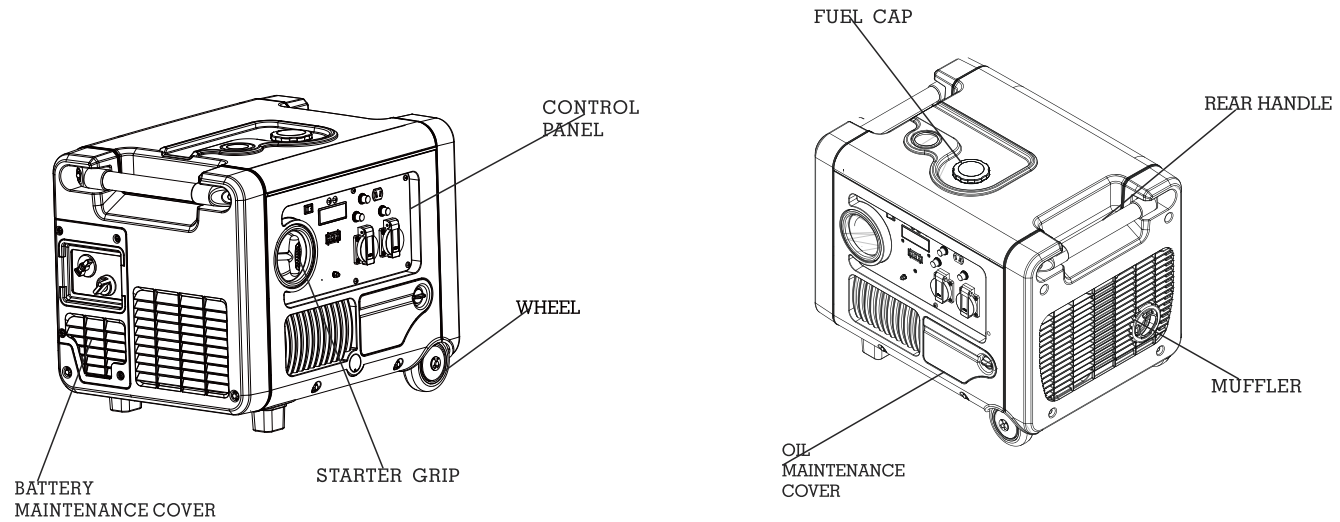


**WARNING**

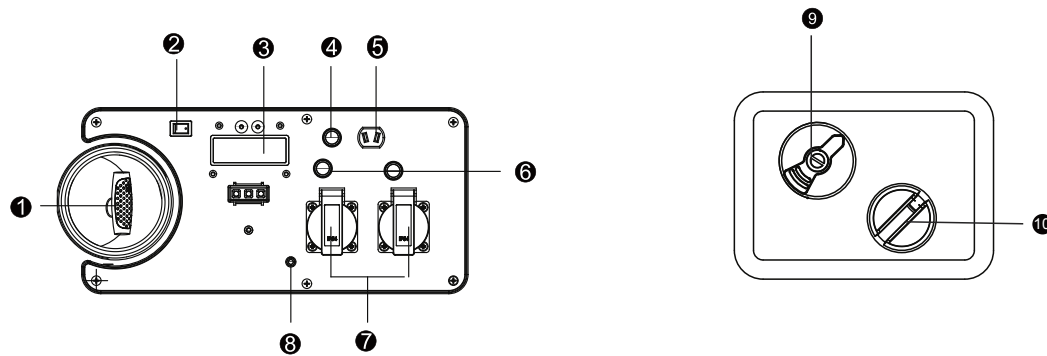
Hot surface. Do not touch.

### 3. COMPONENTS IDENTIFICATION

---



### 3.1) Control Panel



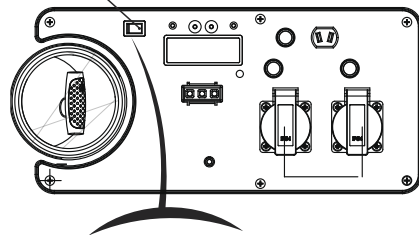
- ① Indicator Lights
- ② ECON. SW
- ③ Multifunctional Screen
- ④ DC Protector
- ⑤ DC Terminal
- ⑥ AC Breaker
- ⑦ AC Receptacles
- ⑧ Ground Terminal
- ⑨ FUEL SEITCH
- ⑩ Engine Switch

### 3.2) ECON. SW (Economy control switch)

"ON" (🐢)

- When the economy control switch is turned to "ON" (🐢), the engine keeps running at idle state automatically when the electrical appliance is disconnected, and it will return to the proper speed with the requirement of electrical load.
- The "ON" (🐢) is recommended to minimize the fuel consumption.

ECON. SW



#### NOTE

- When a high load electrical appliance is connected instantaneously, in order to reduce voltage change, turn the economy control switch to the "OFF" (🔌) position.

#### "OFF" (🔌)

When the economy control switch turns to the "OFF" (🔌) position engine runs at high speed.

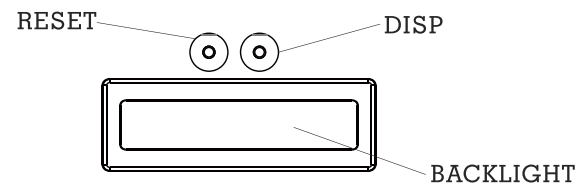
### 3.3) Reset

- Under the condition of protection, the overload indicator light (red) is on, the "RESET" button can recover the output of the generator, and unnecessary to restart engine overall.
- Press and hold the "RESET" button for one second, until the overload indicator light (red) will be off, and output indicator light (green) will be on.
- Under the non-overloading condition, the "RESET" is supposed to be ineffective.

#### NOTE

- For protection condition, the output indicator light (green) is off, and the overload indicator light (red) is on.
- Every starting the engine the "RESET" button is available within 5 times. Otherwise, you need restart the engine.

### 3.4) Hour-meter



- Press the "DISP" button to display the voltage/frequency of output, the engine speed and cumulative working time in turn.
- Press the "DISP" button, the back-light of hour-meter will be on, and it will be off without operating the button for 10S.

<<10>>

## 4. PRE- OPERATION CHECK

### **WARNING**

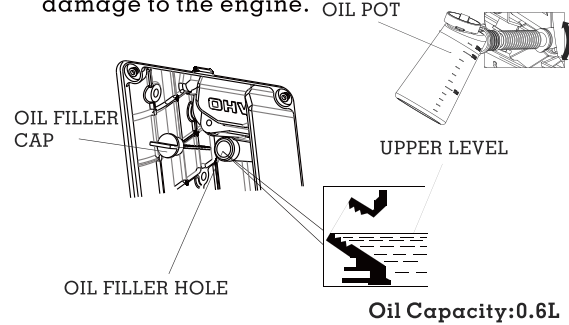
Be sure the generator is on the leveled surface and the generator is stopped.

### 4.1) Check Oil Level

Remove the oil filler cap, fill the specified amount of the recommended oil, and then tighten the oil filler cap .

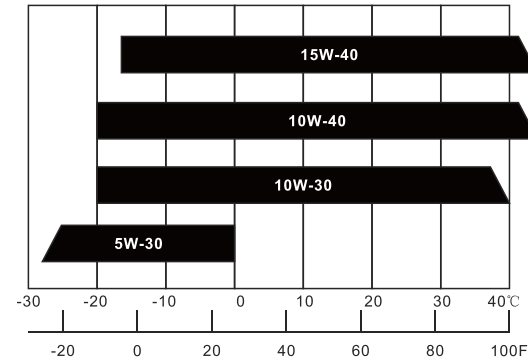
#### NOTE

- Do not tilt the generator when adding engine oil. This could result in overfilling and damage to the engine.



#### NOTE

- Using non-detergent or 2-stroke oil could shorten the engine's working life.
- Using the high quality engine oil with strong detergents.
- Using 4-stroke engine oil, certified to meet or exceed API standards: SG, SF, SE stickiness rating:



#### NOTE

Carefully use and store the engine oil, avoid getting dirt or dust into the engine oil.

Mixing different kinds of engine oil is prohibited.

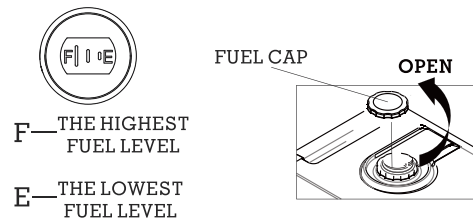
#### NOTE

- Before the engine oil reduces below the safety margin, low oil alert system will close the engine automatically. The oil alert indicator light (red) will be on.
- To avoid the inconvenience caused by unexpected stopping, it is still advisable to check the engine oil level regularly.

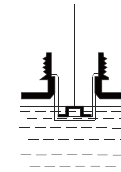
#### 4.2) Check Fuel Level

Fuel recommend: use unleaded gasoline (Research Octane Number of 91 or higher, Pump Octane Number of 86 or higher)

Never use stale or contaminated gasoline or an oil/gasoline mixture, Avoid getting dirt or water into the fuel tank. Do not use a mixture gasoline containing ethanol or methanol; otherwise, it will seriously damage the engine.



UPPER LIMIT MARK



Fuel Capacity:9.0L

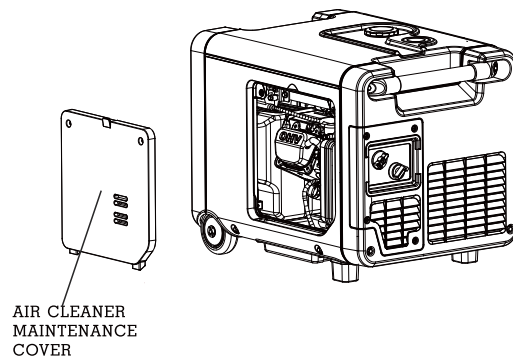
#### WARNING

- Gasoline is extremely explosive and flammable.
- Around the refueling area and fuel storage area, prohibit smoking and firing.
- Do not overfill the fuel tank (no fuel above the red upper limit mark). After refueling, make sure the fuel cap is closed properly and securely.
- Do not make fuel spill from fuel tank. (No residual fuel around the neck of tank, before starting engine)
- Avoid contacting with skin or breathing the fuel vapor.
- KEEP OUT OF REACH OF CHILDREN.

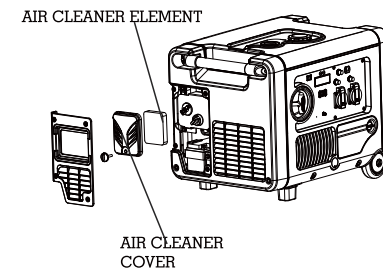
### 4.3)Check Air Cleaner

Check the air cleaner element to be sure it is clean and in good condition.

- a. Loosen the air cleaner maintenance cover screws, and remove the cover.



- b. Loosen the air cleaner cover screws, and remove the cover.
- c. Check the element, clean or replace it, if necessary.



#### NOTE

- Do not run engine without air Cleaner element, otherwise that makes engine abrasion.

## 5. STARTING THE ENGINE

- For some models, the generator provides with two types of starting system: recoil start, electric start. Please operate your generator based on you purchased.

### NOTE

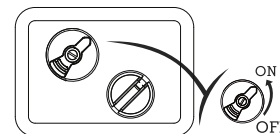
- Before starting engine, disconnect load with AC receptacle.
- Fueling at the first time, refueling, or storing for a long time, the Engine Switch should firstly be opened for ten or twenty seconds, in order to the enough fuel enter into carburetor.

### **⚠ WARNING**

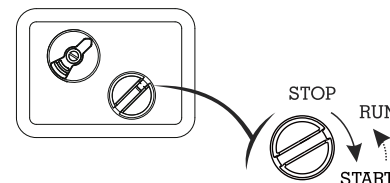
- Never use inside a home or the unventilated condition.

### 5.1) Recoil start

5.1.1) Turn the fuel switch to the "ON" position.



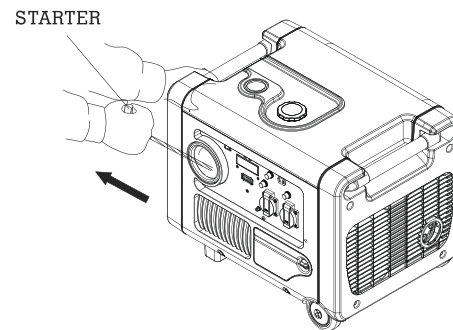
5.1.2) Turn the engine switch to "RUN" position.



**NOTE**

- Do not pull out the choke knob, when engine is hot or ambient temperature is high.

5.1.3) Pull the starter grip slowly until it is engaged, then pull it quickly.



**NOTE**

- Return the starter grip slowly by hand. Do not make the starter grip spring back quickly.

## 5.2) Electric start, remote start

If generator is with electric start, please operate by below steps.

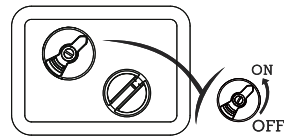
**NOTE**

- When the engine switch turn to "RUN/REMOTE " position, the engine will enter the stand-by starting mode. Starting the engine within 15min, otherwise, the mode will be ineffective. If the generator re-enters the stand-by starting mode again, the engine switch should be return to "STOP", and then turn to "RUN/REMOTE ".

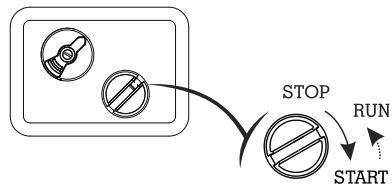
**CAUTION**

For equipping with electrical starting system of the generator, if the generator does not equip with the battery or the battery wares out, the generator can not be start by any starting mode.

5.2.1) Turn the fuel switch to the "ON" position.



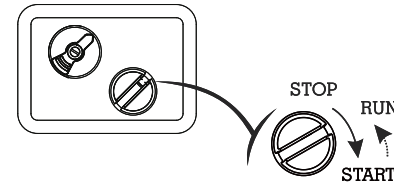
5.2.2) Turn the engine switch to "RUN/REMOTE" position.



5.2.3) Choose one of the starting modes to start the engine.

a) Electric start

Turn the engine switch to "START" position, and then let the engine switch return to "RUN/REMOTE" position.



**NOTE**

■ Engine switch should not stay "START" position more than 1 seconds during starting.

b) Remote start

Press "START" (  ) button of the controller once.

**NOTE**

■ The battery of controller can be used for 2 years. If the battery wears out, replace a new one.

### Caution

**Every generator delivers one controller with generator. If the controller miss, contact your dealer to purchase and decode a new one.**

### NOTE

- If the generator stops and can not restart, check the oil level firstly.
- If the oil alert indicator light (red) is on during the generator running, it need to add oil.

### Carburetor Modification for High Altitude Operation

At high altitude, the standard carburetor air-fuel mixture will be too rich. Performance will decrease, and fuel consumption will increase. A very rich mixture will also foul the spark plug and cause hard starting.

If the generator operates at high altitude, change the main-nozzle or adjust the idling-screw of carburetor.

If the generator always operates at altitude above 1,000 meters, contact with an authorized servicing to modify the carburetor.

Generator output power should be modified according to the altitude and ambient temperature. The correction factor refers to 13-1.

### WARNING

- If the carburetor has been modified for high altitude operation, the air-fuel mixture will be too lean for low altitude use. Operation at low altitude may cause the engine to overheat and result in serious engine damage. The carburetor needs return to original specifications.

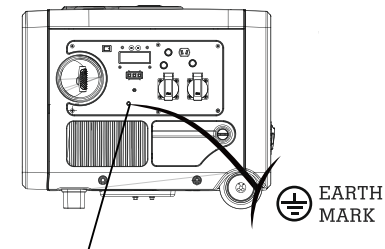
## 6. GENERATOR USE

### **⚠ WARNING**

- Be sure to ground the generator when the connected electrical appliance is grounded.
- Do not connect to the building's electrical system, in order to avoid the electric shocks and fires.
- The generator ground terminal is connected to the frame of the generator, the metal non-current carrying parts of the generator, and ground terminal of each receptacle. Before using the ground terminal, consult a qualified electrician, electrical inspector or local agency having jurisdiction for local codes or ordinance that apply to the intended use the generator.
- Connection for standby power to building electrical system must be made by a qualified electrician. The connection must

isolate the generator from the utility power, and must comply with all the applicable laws and electrical regulations. A transfer switch must be used.

- Due to high mechanical stresses, only tough rubber-sheathed flexible cable (in accordance with IEC 60245-4) or the equivalent should be used.



GROUND TERMINAL

**⚠ WARNING**

- For continuous operation, do not exceed the rated out-put power of generator.
- Do not make parallel connection with other generators.
- Do not connect an extension to the exhaust pipe.
- When an extension cable is required, be sure to use a tough rubber sheathed flexible cable (according to IEC245 or equivalent standards). The maxmin length of the extension cable: 60m for cable of 1.5mm<sup>2</sup>; 100m for cable of 2.5mm<sup>2</sup>.
- Keep away from other electric cables or wires.

**NOTE**

- The DC receptacle can be used while the AC power is in use. If use both at same time, be sure not to exceed the total power for AC and DC. (AC:2.8kVA, DC:5A)
- Most of motor appliances require more than their rated wattage, when starting.

## 6.1) DC Application

The DC receptacle, 15-30V under no-load condition, may be used for charging 12V battery only.

**NOTE**

- In DC operation, turn the ECON. SW to the "OFF" (🔌) position.

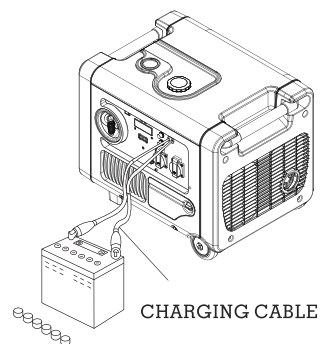
6.1.1) Disconnect the vehicle battery ground cable from the negative(-) battery terminals.

6.1.2) Connect the DC terminals to battery terminals with the charging cable.

**CAUTION**

Connect red lead to positive (+) battery terminal and black lead to negative (-) battery terminal.

6.1.3) Turn ECON. SW to "OFF" (🔌) position, and then start engine.



#### NOTE

- Do not start the automobile engine when the generator is still connected to the battery, otherwise the generator will be damaged.

#### Disconnecting the charging cable:

- 1) Stop the engine.
- 2) Disconnect the black lead from the negative (-) battery terminal.
- 3) Disconnect the red lead from the positive (+) battery terminal.

#### ⚠ WARNING

- The battery can release the explosive gases. Keep the battery away from spark/fire. Charge the battery in ventilated condition.
- Battery electrolyte contains sulfuric acid that will cause severe burn of skin and eyes. Therefore it is necessary to wear the protective clothing and mask.
- If battery electrolyte gets into eyes, flush thoroughly with warm water for 15min at least, and call a doctor immediately.
- If you swallow a little of battery electrolyte accidentally, flush thoroughly with water your mouth, and then drink large quantities of water or milk (with magnesia or vegetable oil), and call a doctor immediately.
- KEEP OUT REACH OF CHILDREN.

**NOTE**

- While using the AC power, you can use that DC power at the same time.

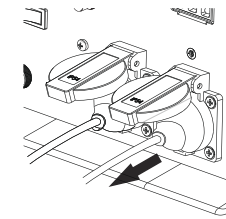
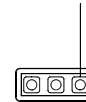
**6.2) AC applications**

- 6.2.1) Start engine and make sure the output indicator light (green) is on.
- 6.2.2) Confirm all electrical appliances are switched off, and connect the appliance plugs to the generator receptacles.

**NOTE**

- To obtain the best working and longest working life of the generator, a new generator is supposed to run for 20 hours at 50% rated load.

OUTPUT LIGHT  
(GREEN)



**NOTE**

- Confirm all electrical appliances are in good working condition before connecting them to the generator. If an electrical appliance becomes abnormal, sluggish, or stops suddenly, shut off the generator engine immediately, and disconnect the appliance.

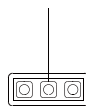
### 6.3) Output and Overload Indicator

In normal operating, output indicator light (green) will remain on.

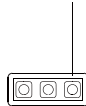
If the generator is overload (over 2.8kVA), or the connected appliance is short-circuit, the output indicator light (green) is off, and overload indicator light (red) is on. The AC output will be switched off, but engine is still running.

If the overload indicator light (red) is on, disconnect the electrical appliances firstly, then stop the engine, and start it again. If the overload indicator light (red) is OFF and the output indicator light (green) is ON, reconnect the electrical appliances. Otherwise stop the engine and check the generator.

OVERLOAD INDICATOR  
LIGHT (RED)



OUTPUT INDICATOR  
LIGHT (GREEN)



### 6.4) Oil alert system

The oil alert system is designed to prevent engine damage caused by an insufficient amount of oil in the crankcase. Before the oil level in the crankcase falls below a safe limit, the oil alert system will automatically shut down the engine (the engine switch remains in the "On" or "RUN" position).

If the oil alert system shuts down the engine, the oil alert indicator light (red) will be on. Check the engine oil level.

OIL ALERT INDICATOR  
LIGHT (RED)

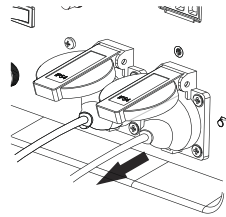


## 7. STOPPING THE ENGINE

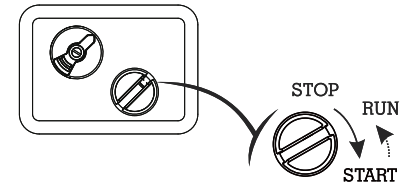
### Recoil start

To stop the engine in an emergency, turn the engine switch to the "OFF" position.

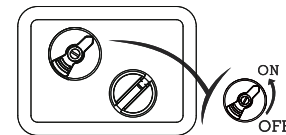
7.1) Switch off the connected electrical appliances, and pull out their plugs.



7.2) Turn the engine switch to the "OFF" position.



7.3) Turn the fuel switch to the "OFF" position.



## 8. MAINTENANCE

The purpose of the maintenance and adjustment schedule is to keep the generator in the beset operating condition



Stop the engine before performing any maintenance. If the engine must run, be sure the area is well ventilated. The exhaust contains poisonous carbon monoxide gas.

Use genuine equivalent quality components to replace the wear components

### Maintenance Schedule

Regular Service Period (3)	Item	Each use	First month or 10 hrs.	Every 3 months or 50 hrs.	Every 6 months or 100 hrs.	Every 2 years or 300 hrs.
Engine oil	Check level	⊙				
	Change		⊙		⊙	
Air cleaner	Check	⊙				
	Clean			⊙+(1)		
Spark plug	Check-adjust				⊙	

Spark plug	Replace					⊙
Spark arrester					⊙	
Valve Clearance	Check-adjust					⊙+(2)
Combustion Chamber	Clean	After every 300 hrs(2)				
Fuel tank& filter	Clean	Every year(2)				
Fuel line	Check	Every 2 years ( Replace if necessary)(2)				

### NOTE

- (1) Service more frequently when used in dusty areas.
- (2) These items should be serviced by your servicing dealer, unless you have the proper tools and are mechanically proficient. Refer to use manual for service procedures.
- (3) For commercial use, long hours of operation to determine proper maintenance intervals.

### 8.1) Change Oil

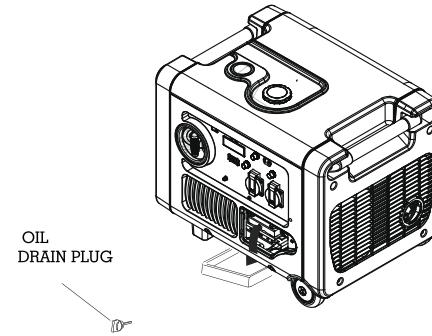
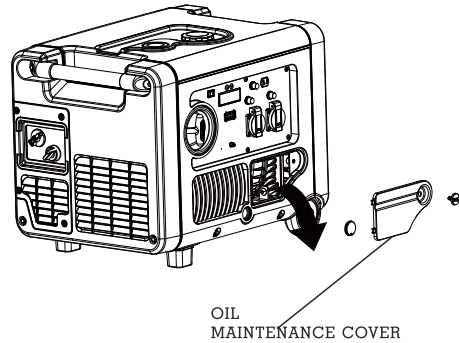
Drain the oil rapidly and completely while the engine is still warm.

- 8.1.1) Loosen screws of the oil maintenance cover, and remove the cover.
- 8.1.2) Remove the oil dipstick and the bottom rubber.

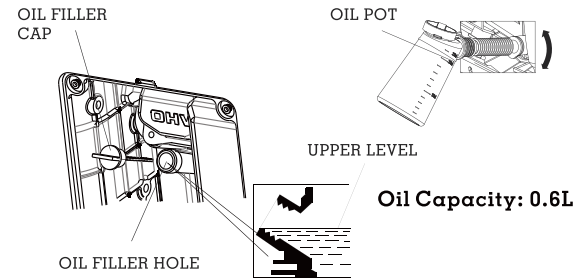
8.1.3) Place oil collection pan under oil drain plug.

8.1.4) Remove the oil drain plug, and drain oil into the oil collection pan completely.

8.1.5) Reinstall the oil drain plug.



Tighten oil drain plug with 25-30 N.m



8.1.6) Refill the recommended oil, and check the oil level.

8.1.7) Reinstall the oil dipstick and tight it.

After oil change, wash your hands with soap.

**NOTE**

For conforming to the environment requirement, the used oil will be put into a sealed container and then be transported to the service station for recycler. Do not throw it into the trash or pour it on the ground.

**8.2) Air Cleaner Service**

A dirty air cleaner will restrict air flow into the carburetor. Clean and maintain the air cleaner regularly, especially in the extremely dusty areas.

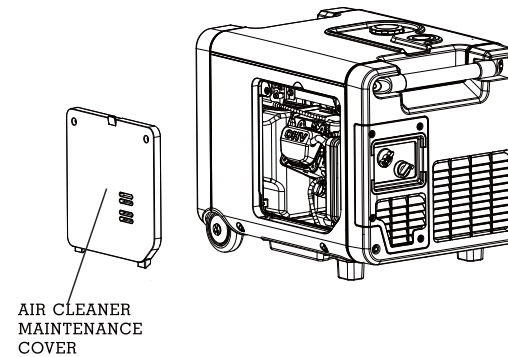


Do not use gasoline or low ignition point solvents for cleaning. They are flammable and explosive under certain conditions.

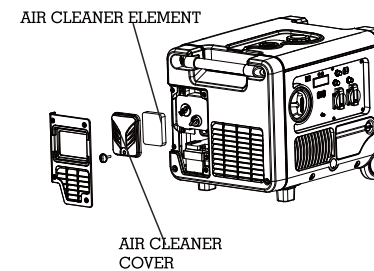
**NOTE**

Never run the generator without air cleaner, otherwise that result in engine abrasion rapidly.

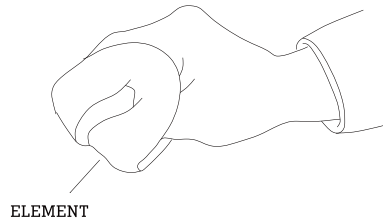
8.2.1) Loosen three screws of the air cleaner maintenance cover, and remove the cover.



8.2.2) Loosen the air cleaner cover screws and remove the cover.



- 8.2.3) Take out the air cleaner element, and clean it with non- flammable or high flash point solvent, then dry it.
- 8.2.4) Soak the air cleaner element in the clean engine oil, and squeeze out the redundant oil.



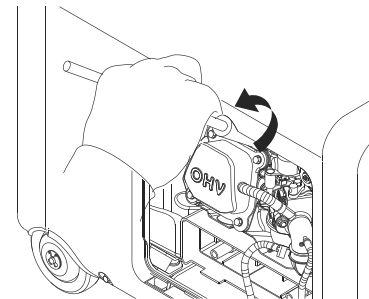
- 8.2.5) Reinstall the air cleaner element and cover.
- 8.2.6) Reinstall the maintenance cover, and tighten the screws.

### 8.3) Spark Plug Service

**Recommendation spark plug: F7RTC**

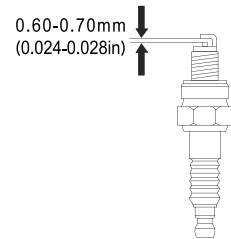
Check the spark plug gap and clean the carbon deposition at the bottom of the spark plug.

- 8.3.1) Remove the spark plug cap.



8.3.2) Take off the spark plug with the spark plug spanner.

8.3.3) Visual inspection the spark plug. Change a new one if its insulator cracked or chipped. Clean it with a wire brush if the spark plug is reused.



8.3.4) Measure the spark plug gap with a feeler gauge. The normal value:0.6-0.7mm(0.024-0.028in). Adjust the gap by bend one of the electrode carefully.

8.3.5) Reinstall the spark plug carefully, by hand, to avoid cross-threading. A new spark plug should be tightened 1/2 turn with a spanner. A used Spark plug should be tightened 1/8 to 1/4 turn with spanner.

8.3.6) Reinstall the spark plug cap

8.3.7) Reinstall the spark plug maintenance cover.

#### NOTE

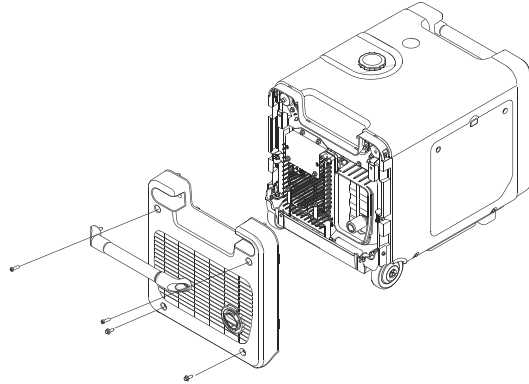
- The spark plug must be securely tightened. Tightening in wrong way will cause spark plug hot, even damage the engine.
- Never use a spark plug with an improper heat range.

### 8.4) Spark Arrester Maintenance

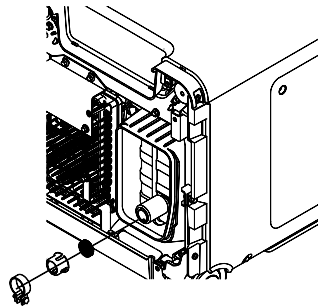


The spark arrester must be maintained every 100h service.

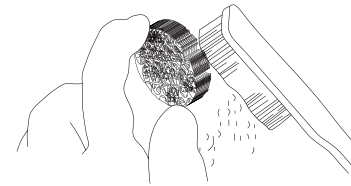
8.4.1) Remove the screws, and remove the muffler guard.



8.4.2) Take off the spark arrester from the muffler after the engine cool down.



8.4.3) Use a brush to remove carbon deposits from the spark arrester. If the spark arrester is wear, replace it.



8.4.4) Reinstall the spark arrester and muffler guard.

## 8.5 Replace battery and fuse

For some models, equip with electrical starting system and starting battery. If the battery does not deliver, purchase it from your dealer.

### Battery specifications

Voltage	Capacity	Dimension
12V	7Ah	L≤138mm W≤66mm H≤88mm

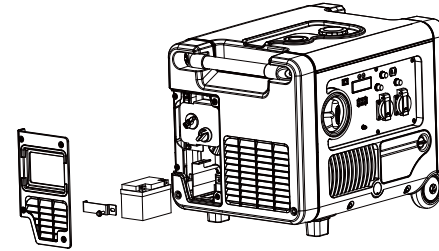
#### **NOTE**

- When the engine is running, the battery will be charge by the charging system of generator.
- The battery shall be charge for storage a long period. For using other charging system, the charging current less than 0.15c amperes (c: battery rated capacity) .

#### **Replace the battery procedure**

- 8.5.1) Loosen the screws of the battery maintenance cover, remove the cover.
- 8.5.2) Unhook the battery belt.
- 8.5.3) Remove the black cable from battery negative(-) terminal, and then remove the red cable from battery positive(+) terminal.
- 8.5.4) Remove the battery from battery tray, and replace a new one.
- 8.5.5) Reconnect red cable to battery positive(+) terminal, and reconnect black cable to battery negative(-) terminal.

- 8.5.6) Hook the battery belt, and reinstall the cover.



## 9. TRANSPORTING/STORING

Avoid fuel spilling during transporting or temporary storing, the engine switch should turn to "OFF" position, and the generator should place in normal operating position.

### **⚠ WARNING**

#### **Transporting Generator:**

- Do not overfill the fuel tank. (No residual fuel on the neck of tank)
- Do not use the generator on the transport vehicle. The generator should be used under a good ventilated condition.
- Avoid exposing directly in the sunshine when the generator place in the enclosed transport vehicle for a long time. The high temperature inside the vehicle could cause fuel to vaporize resulting in a possible explosion.
- Drain off the fuel, when the generator is transported on rough road.

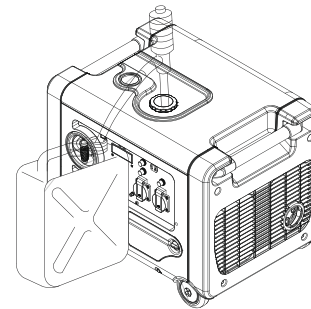
#### **Storing for a long period:**

9.1) Make sure the storage area without excessive humidity and dust.

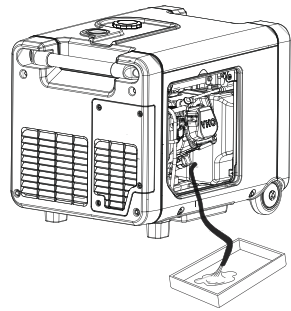
9.2) Drain off the fuel.

### **⚠ WARNING**

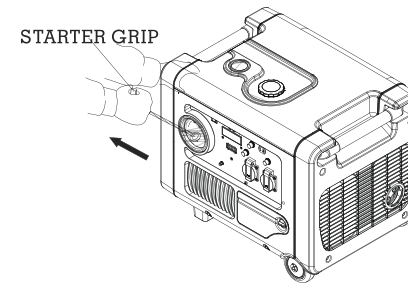
- Keep away from smoking, flames and spark, gasoline is explosive and flammable in the specified condition.
- α. Drain off the gasoline in the fuel tank, storing into the suitable container.



- b. Turn the fuel switch to "ON" position, and loosen the carburetor drain screw to discharge gasoline inside of carburetor.



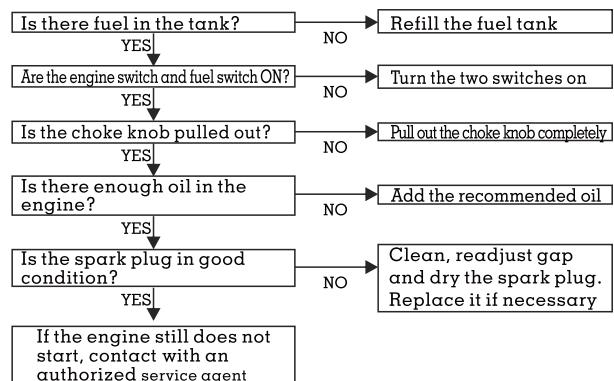
- c. Take off the spark plug cap, pull the starter grip three or four times, discharge the gasoline from the fuel lines.
- d. Turn the fuel switch to "OFF" position, and tighten the drain screw of carburetor.
- e. Reinstall the spark plug cap.



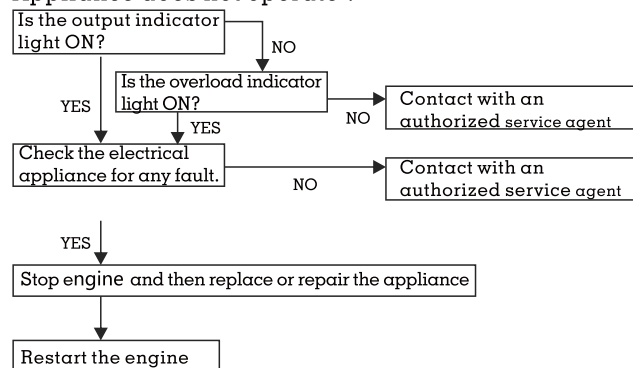
- 9.3) Change new oil while engine is still warm from operation.
- 9.4) Remove the spark plug, and pour a tablespoon of clean engine oil(10~20ml)into the cylinder. Revolve the engine several times to distribute the oil,and reinstall the spark plug.
- 9.5) Pull the starter grip slowly until feel resistance. At this point, the piston is coming up on its compression stroke and both the intake and exhaust valves are closed. In this position, it helps to protect the engine from internal corrosion.

# 10.TROUBLESHOOTING

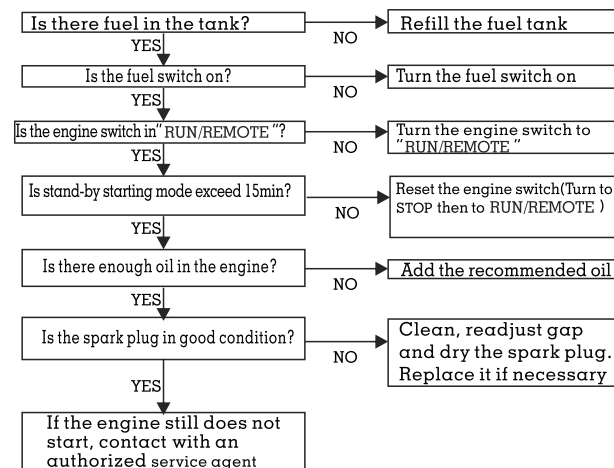
When the engine can not be started:



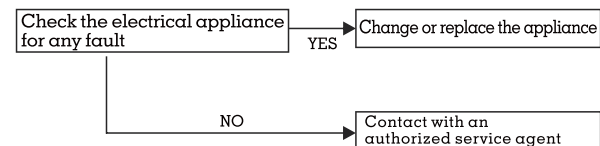
Appliance does not operate :



When the engine can not be started:



DC receptacle without any electricity :



## 11. TECHNICAL SPECIFICATIONS

	Specifications	Parameters	
ENGINE	Type	4-stroke, overhead valve, single cylinder, forced-air cooling	
	Engine Displacement	223cc	
	Bore * Stroke	70mm * 58mm	
	Compression Ratio	8.5:1	
	Rated power	4.0kW/3600min <sup>-1</sup>	
	Ignition System	Full transistor	
	Start System	Recoil starter/electric starter/remote starter	
	Fuel Type	Gasoline without lead	
	Oil Capacity	0.6L	
	Oil Model	SE 15W-30	
	GENERATOR	Model	HY4500SEi
		Rated Frequency	50Hz
Rated Voltage		230V	
Rated Current		16.5A	
Rated Speed		3600min <sup>-1</sup>	
Rated Power(COP)		3.8kW	
Max Power(MAX)		4.0kW	

OTHER SPECIFICATIONS	DC Output	12V/5A
	Fuel Tank Volume	9.0L
	Continuous Running Time	7.0h
	Fuel Consumption	≤500g/kW.h
	Working Ambient Temperature	-20°C~40°C
	Max. Altitude	1000m
	* Noise L <sub>wA</sub>	96dB(A)/4m
	* * Noise L <sub>pA</sub>	59dB(A)/7m
	Dimensions (L*W*H)	605mm * 447mm * 487mm
	Net Weight	50Kg

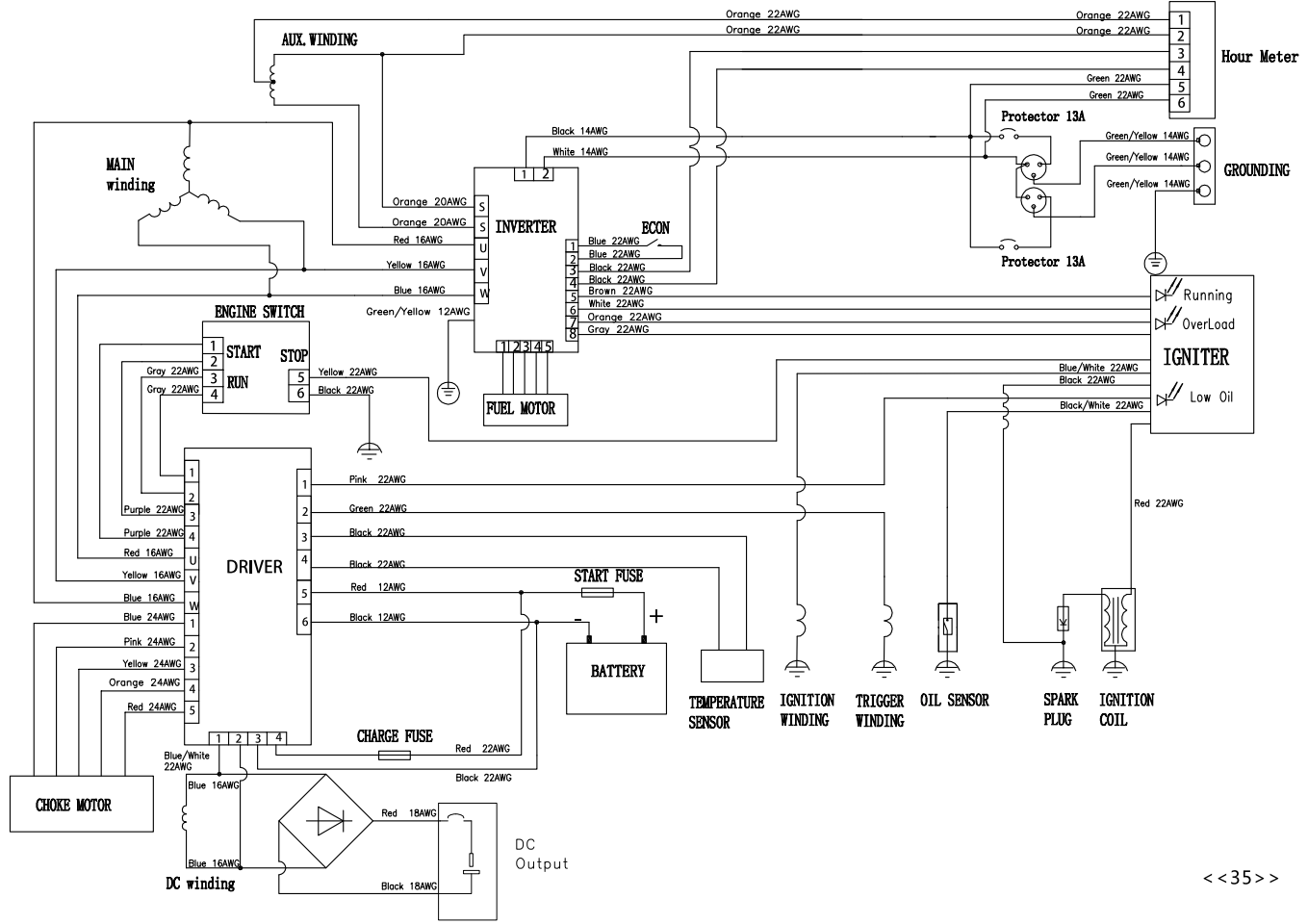
Noise level is measured when the ECON. SW is turned to "ON" (🔌🔌)

\* : L<sub>wA</sub> shows the guaranteed sound power tested by 2000/14/EC.

\* \* : The noise level in "dB/7m" is the arithmetic mean value of sound press level (L<sub>pA</sub>) in eight directions measured 7 meters away from the generator.

The noise level may vary in different environments

# 12. WIRING DIAGRAMS



## 13. APPENDIX

### 13.1) Environment Correction

The standard condition of rated power output:

Altitude:0m

Ambient temperature:25°C

Relative humidity:30%

Factor of environment correction:

Altitude(m)	Ambient temperature°C				
	25	30	35	40	45
0	1	0.98	0.96	0.93	0.90
500	0.93	0.91	0.89	0.87	0.84
1000	0.87	0.85	0.82	0.80	0.78
2000	0.75	0.73	0.71	0.69	0.66
3000	0.64	0.62	0.60	0.58	0.56
4000	0.54	0.52	0.50	0.48	0.46

**NOTE :** Relative humidity 60% correction factorC-0.01 ;  
Relative humidity 80% correction factorC -0.02 ;  
Relative humidity 90% correction factorC-0.03 ;  
Relative humidity 100% correctionfactorC-0.04 ;

Example :

Rated power (  $P_N$  ) 2.8kVA generator(Altitude: 1000m) Ambient temperature: 35°C , Relative humidity: 80%

$$P = P_n * (C - 0.02) = 2.8 * (0.82 - 0.02) = 2.24 \text{ kVA}$$

### **13.2) Noise and Access**

Noise emission measure according to ISO 8528-10, EN ISO 3744, European Directive 2000/14/EC with amendment 2005/88/EC

Model of generator set: HY4500SEi

Sound Pressure Level: 74dB(A)

Guaranteed Sound Power Level: 96dB(A)

Measurement Uncertainty K: 1.7dB(A)

The quoted figures are emission levels and are not necessarily safe working levels. Whilst there is a correlation between the emission and exposure levels, this cannot be used reliably to determine whether or not further precautions are required. Factors that influence the actual level of exposure of work-force include the characteristics of the work room, the other sources of noise, etc, i.e. the number of machines and other adjacent processes, and the length of time for which an operator is exposed to the noise. Also the permissible exposure level can vary from county. This information, however, will enable the user of the machine to make a better evaluation of the hazard and risk.

Genpower Ltd confirms that these Hyundai products conform to the following CE Directives.  
2006/42/EC Machinery Directive  
2004/108/EC EMC Directive  
2000/14/EC, Amended by 2005/88/EC Noise Emissions Directive  
(EU) 2016/1628 Emissions Directive

**EC DECLARATION OF CONFORMITY**

The undersigned. As authorised by: **Genpower Ltd**  
Declares that the following equipment manufactured under licence by Hyundai Korea  
Conforms to the Directive:-

**2000/14/EC (as amended)**

Of the European Parliament and of the council on the approximation of the laws of the Member States relating to the noise emission in the environment by equipment for the use outdoors.

Equipment Category: **Garden Machinery**  
Product Name/Model: **HY4500SEi**  
Type/Serial No: **Petrol Generator**  
Net installed power: **4.0Kw**  
The technical documentation is kept by: **Roland Llewellyn, Genpower Ltd**  
**Isaac Way, Pembroke Dock,**  
**Pembrokeshire, SA72 4RW.**

The conformity assessment procedure followed was in accordance with annex V of the Directive.

Notified Body: **TüV Rheinland LGA Products GmbH**  
**Tillystraße 2**  
**90431 Nürnberg, Germany.**  
**Certification n° OR/027431/001**

Measured Sound Power Level: **59dBA**  
Guaranteed Sound Power Level: **59dBA**

A copy of this certificate has been submitted to the European Commission and the EU Member State United Kingdom.

Place of Declaration: **Pembroke Dock, SA73 4RW**  
Date: **29/09/2018**  
Signed by: **Roland Llewellyn**



Position in Company: **Managing Director**

<<38>>

## 14. CONSUMER INFORMATION

### Consumer Service Information

Service dealers are trained professionally. They should be able to answer any questions you have. If the dealer does not solve your problems, please discuss them with the manager of the dealer. Most of your problems are solved in this way.

## 12 CONTACT DETAILS

9.0	POSTAL ADDRESS	Genpower Ltd, Isaac Way, London Road, Pembroke Dock, Pembrokeshire. SA72 4RW. UK.
9.1	TELEPHONE	+44 (0) 1646 687880
9.2	FAX	+44 (0) 0164 686198
9.3	TECHNICAL EMAIL	<a href="mailto:aftersales@genpower.co.uk">aftersales@genpower.co.uk</a>
9.4	WEBSITE	<a href="http://www.hyundaipowerequipment.co.uk">www.hyundaipowerequipment.co.uk</a>

## 13. WARRANTY

To register your machine for the manufacturer's warranty, please visit  
<https://hyundaipowerequipment.co.uk/warranty>

## MANUAL UPDATES

- 10.0 Our manuals are constantly being reviewed and updated. However if you find an error, omission or something you find unclear, please contact your dealer for assistance.
- 10.1 Our latest manuals are also placed online.
- 10.2 We reserve the right to make any modifications without prior notice whenever necessary.



**HYUNDAI**  
POWER PRODUCTS

**For Inquiries, Please Contact:**

**GENPOWER LTD**  
Isaac Way, London Road  
Pembroke Dock, UNITED KINGDOM, SA72 4RW  
T: +44 (0) 1646 687 880 F: +44 (0) 1646 686 198  
E: [info@hyundaipowerequipment.co.uk](mailto:info@hyundaipowerequipment.co.uk)  
[www.hyundaipowerequipment.co.uk](http://www.hyundaipowerequipment.co.uk)