



## Deluxe Pizza Oven Cabinet

### Model No. PS110

- Designed for use with Gasmate Pizza Ovens, Model No. PO106 and Model No. PO110
- Convenient side shelves for extra bench space
- Side shelves drop down for easy storage
- Powder coated body with stainless steel top and shelves
- Convenient slide-out drawer
- Cabinet features cavity for cylinder storage
- Locking castors



Gasmate® is a registered trademark of: Sitro Group Australia Pty Ltd [www.gasmate.com.au](http://www.gasmate.com.au)  
Aber Ltd - Hamilton, N.Z. [www.gasmate.co.nz](http://www.gasmate.co.nz)

---

**Important:** Retain these instructions for future use.

---

# ASSEMBLY INSTRUCTIONS

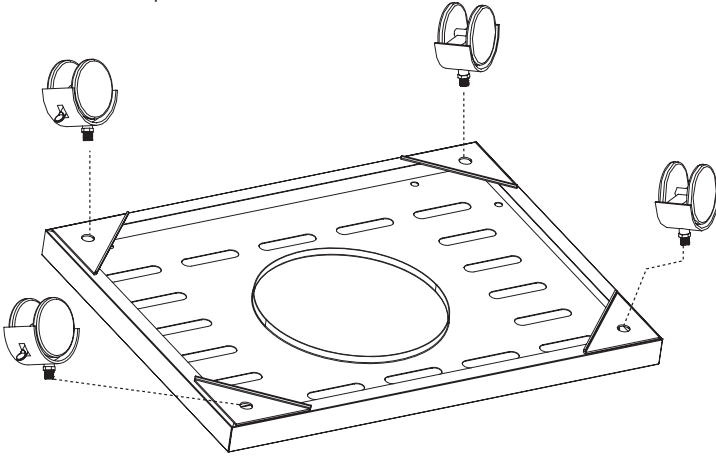
## Tools Needed for Assembly

- Phillips screwdriver
- Adjustable wrench

**Note: Remove any transit protection material**

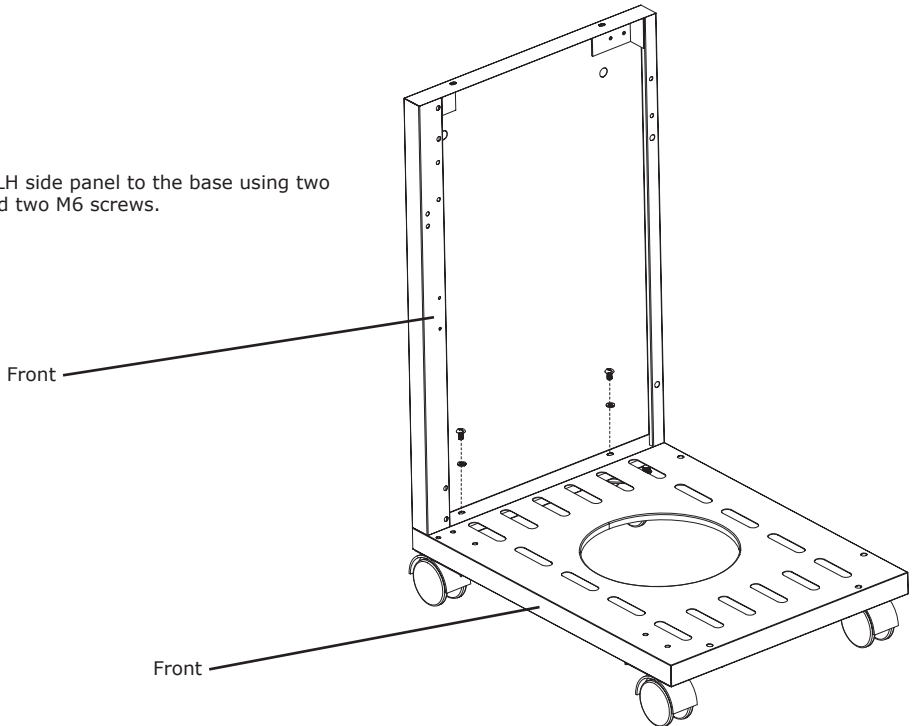
## STEP 1

Attach the castors to the base panel.



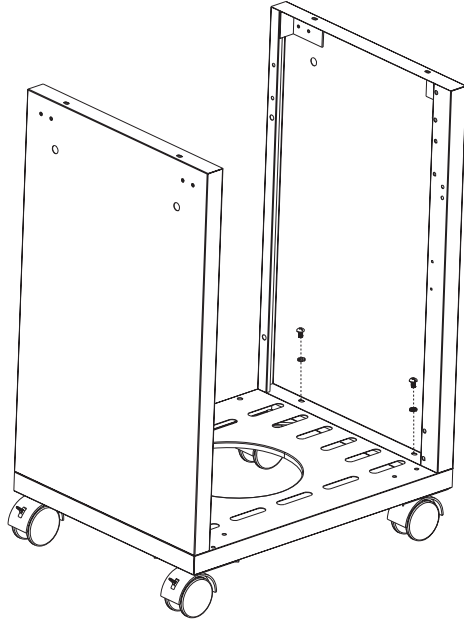
## STEP 2

Attach the LH side panel to the base using two washers and two M6 screws.



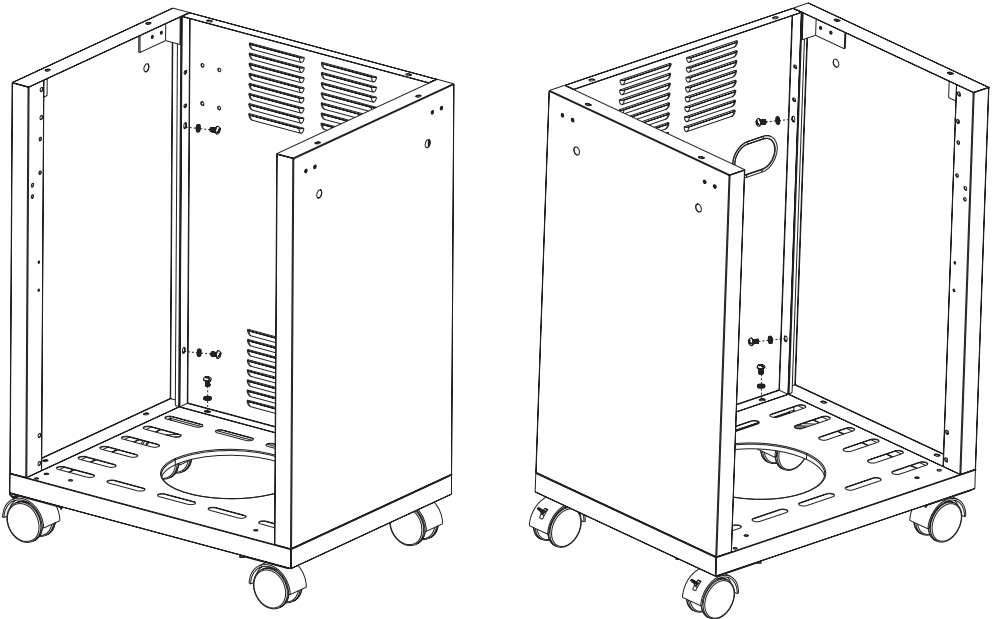
### STEP 3

Attach the RH side panel to the base panel using two washers and two M6 screws.



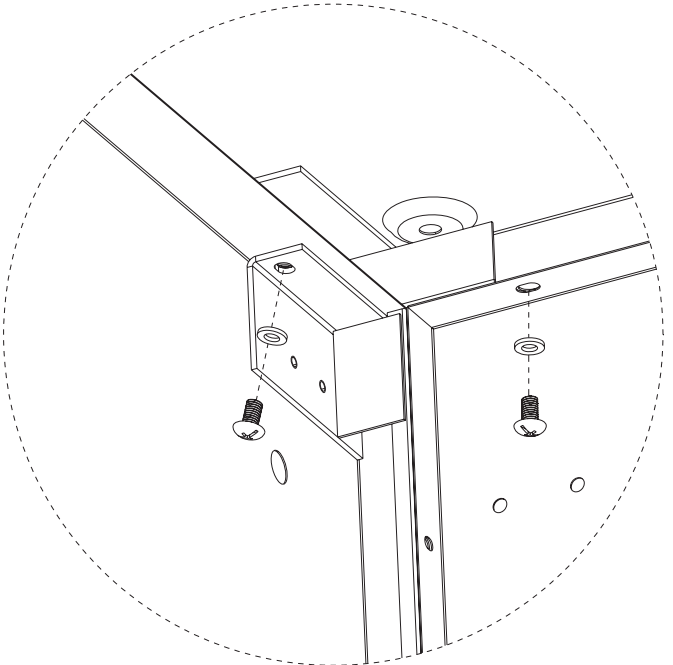
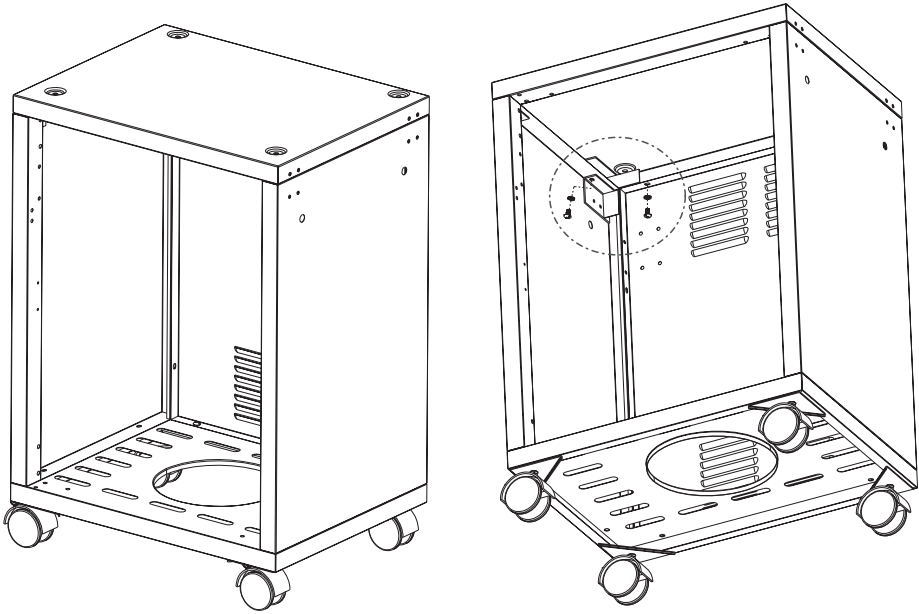
### STEP 4

Attach the back panel to the LH side, RH side and base panel using six washers and six M6 screws.



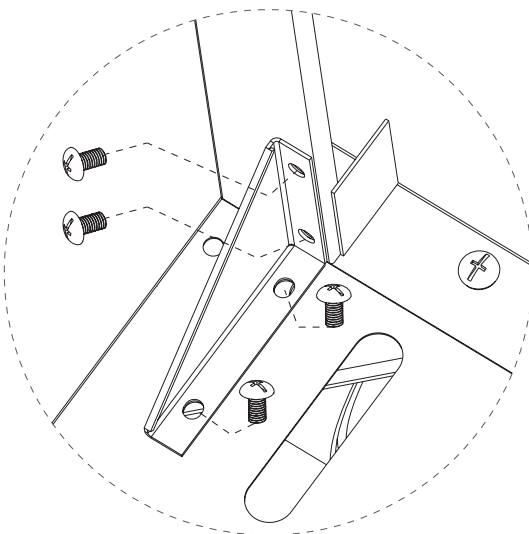
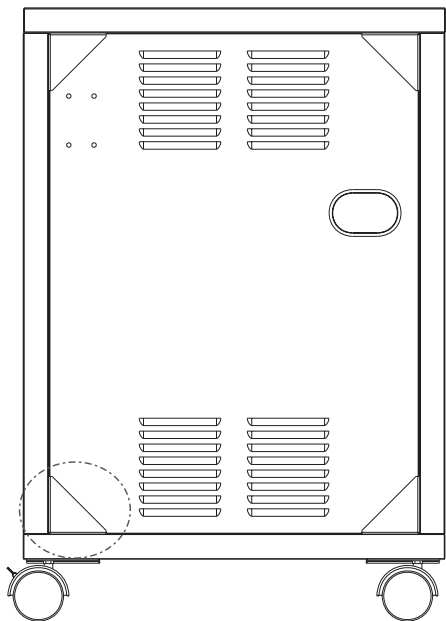
## STEP 5

Attach the top panel using six washers and six M6 screws.



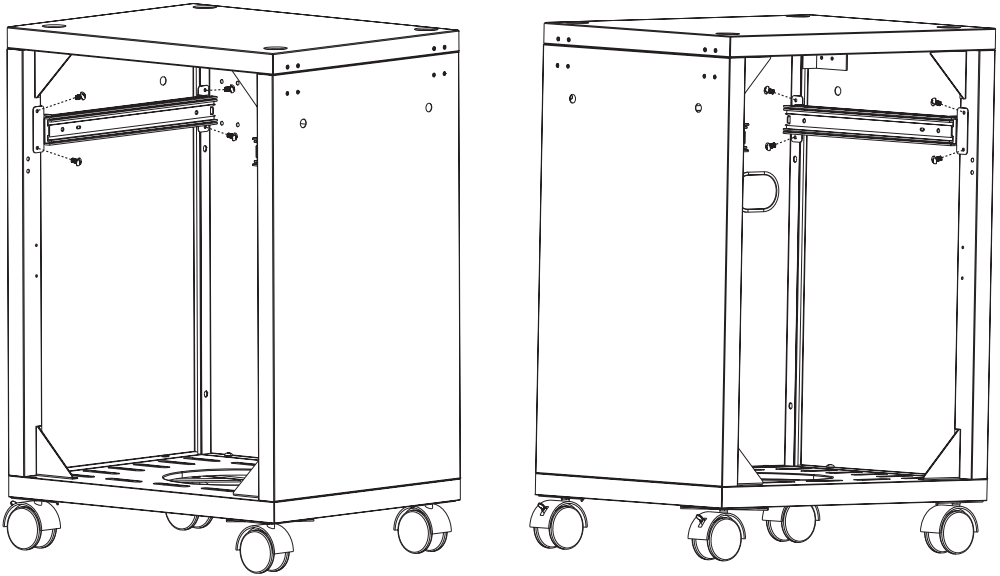
## STEP 6

Attach the four strengthening brackets to the cabinet using sixteen M5 screws.



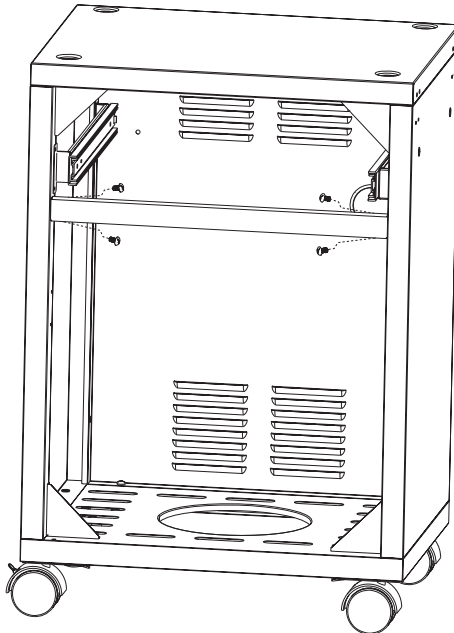
## STEP 7

Attach the two drawer rail brackets to the side panels using eight M4 screws.



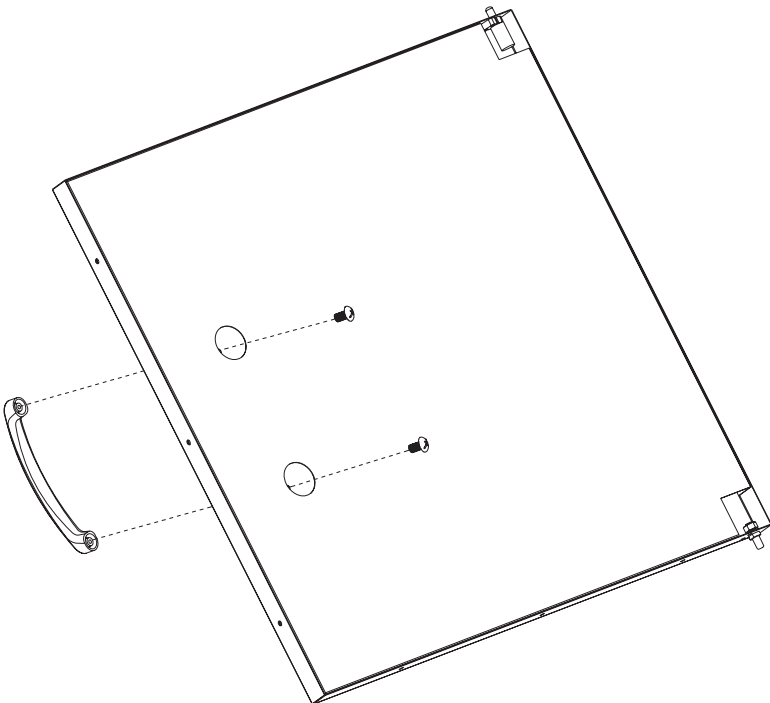
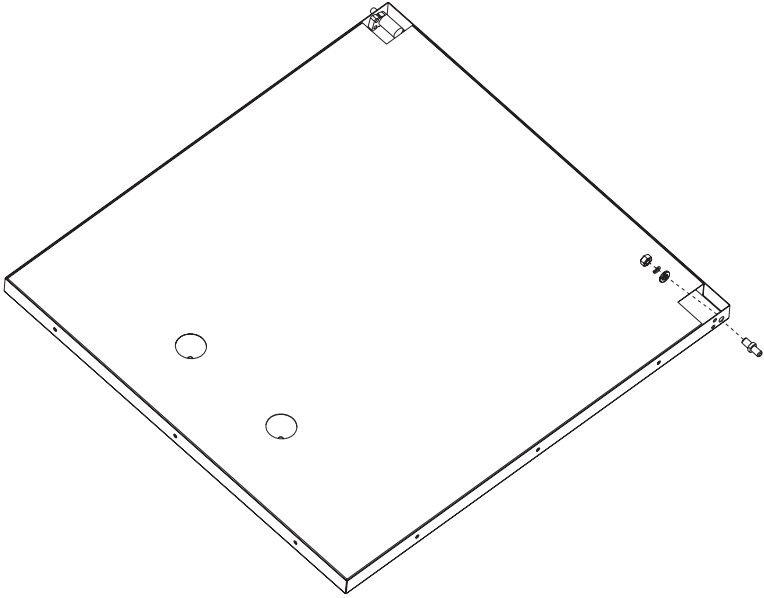
## STEP 8

Attach the front beam to the side panels using four M4 screws (the hole side will face the bottom).



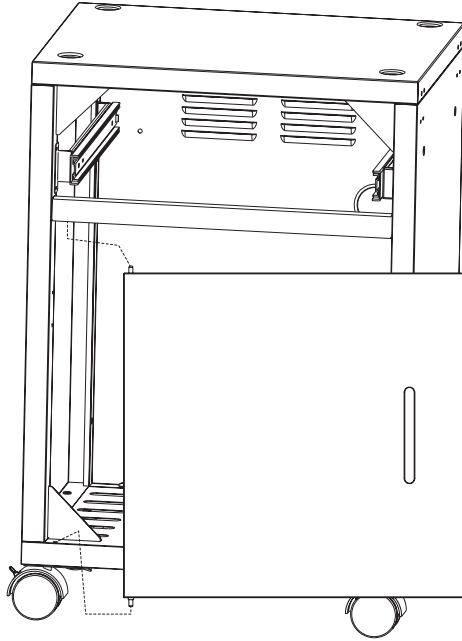
## STEP 9

Attach the spring hinge pin to the door and attach the door handle using two M4 screws.



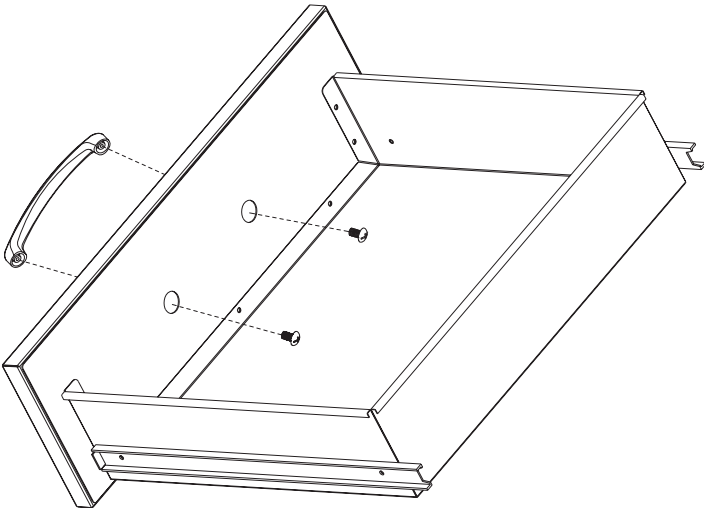
## STEP 10

Attach the door to the cabinet with the spring hinge pin at the top and the solid pin at the bottom.



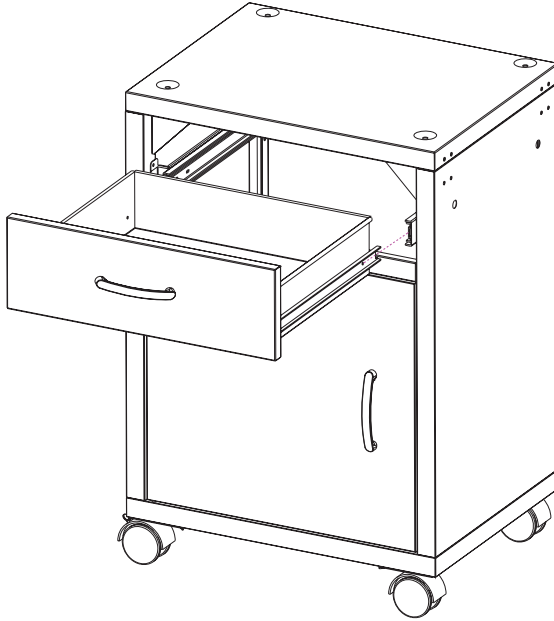
## STEP 11

Attach the drawer handle to the drawer using two M4 screws.



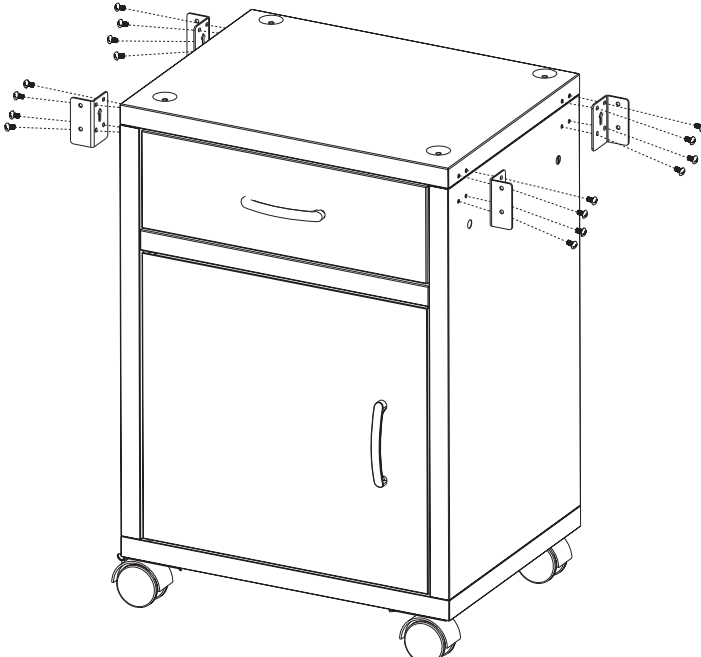
## STEP 12

Slide the drawer assembly into the cabinet.



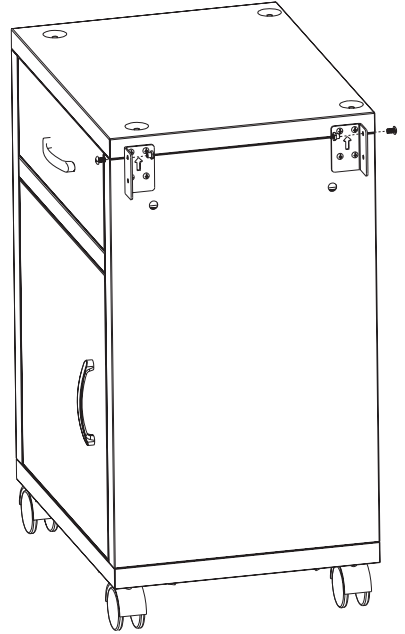
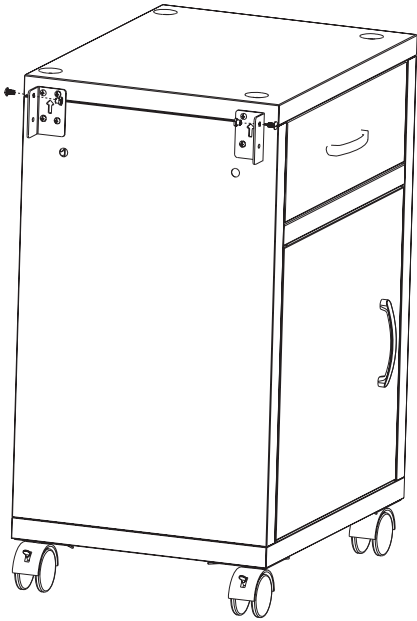
## STEP 13

Attach the side shelf brackets to the cabinet using sixteen M5 screws.



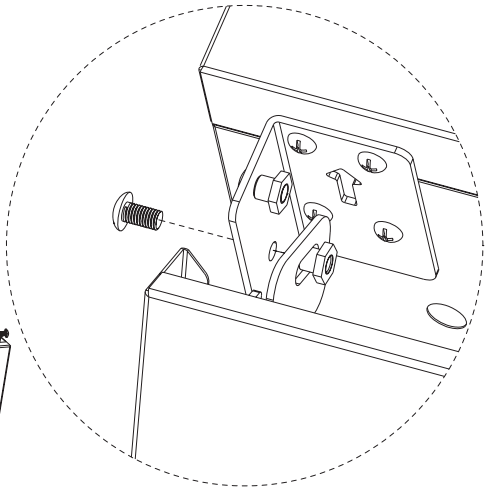
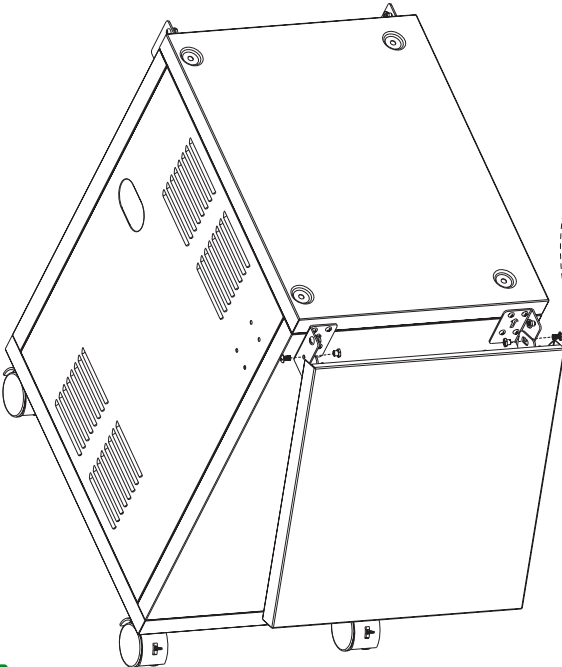
## STEP 14

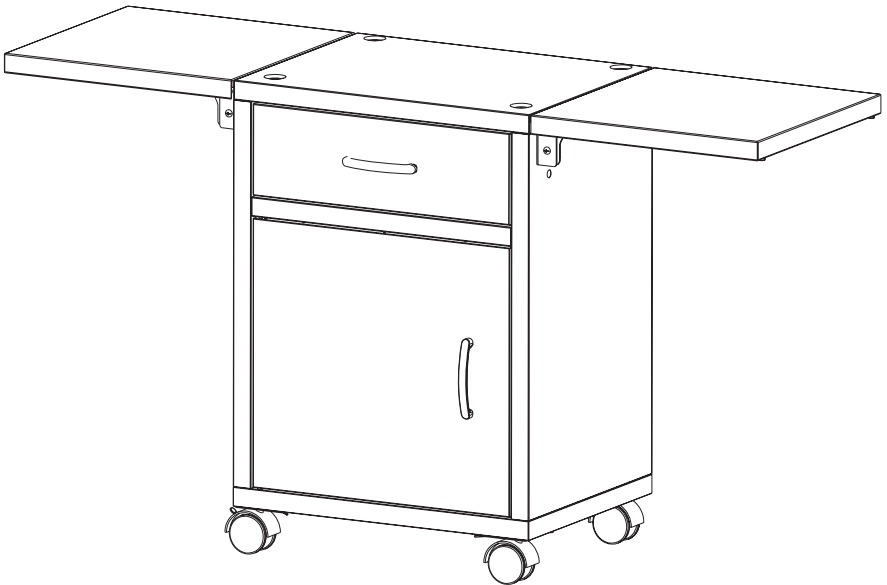
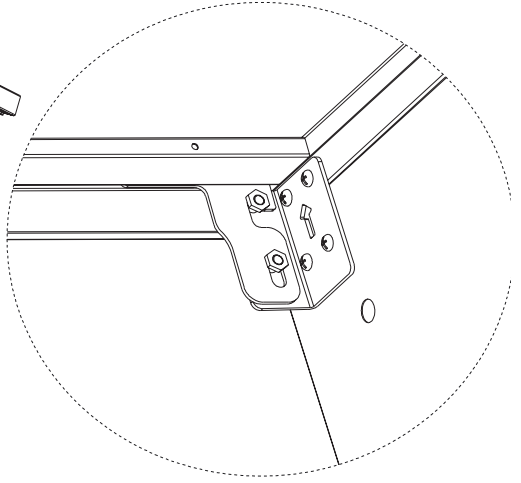
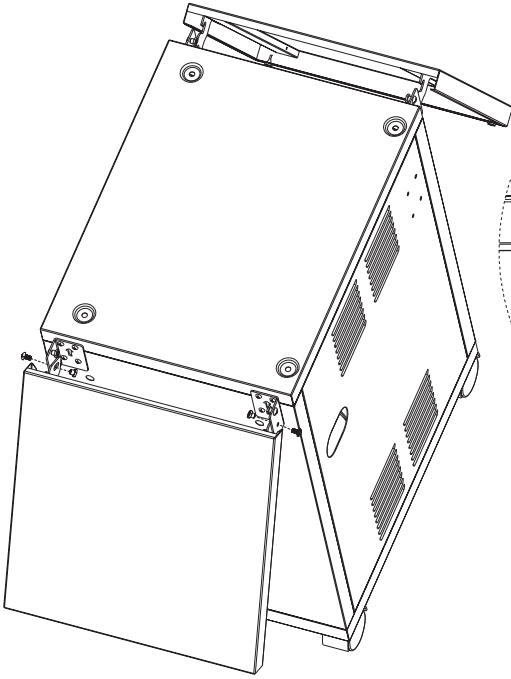
Attach four M6 screws and nuts to the upper holes of the side shelf brackets.



## STEP 15

Attach the side shelves to the bracket using four M6 screws and nuts.





**For any queries or assistance call**



**Customer Service**  
(Australia Only)

**1300 174 876**

Hours of operation:  
Monday to Friday 8.30am - 5.30pm EST

**Do not return to place of purchase.**

Contact 1300 174 876

Your purchase receipt will be required for warranty claims.

**Gasmate**®