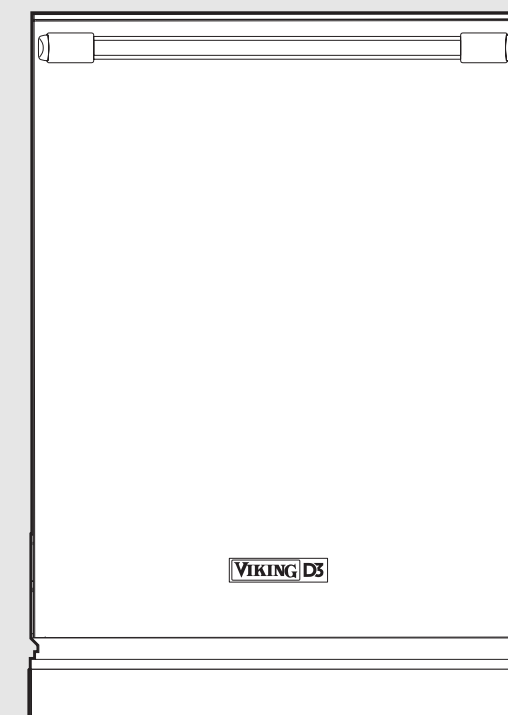


Installation GUIDE



Viking Range Corporation
111 Front Street
Greenwood, Mississippi 38930 USA
(662) 455-1200

For product information, call 1-888-VIKING1 (845-4641)
or visit the Viking Website at vikingrange.com

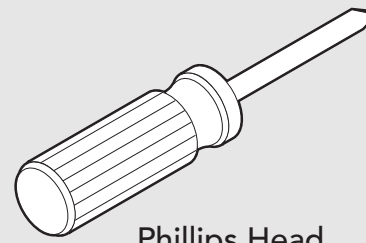


VIKING | D3
Dishwasher Door Panel

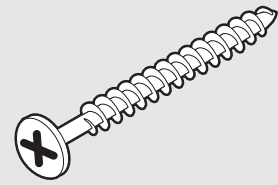
Door Panel Installation (Purchased Separately) For FDW100 / FDW100WS Models

The unit comes with everything needed to make installing the door panel easy.

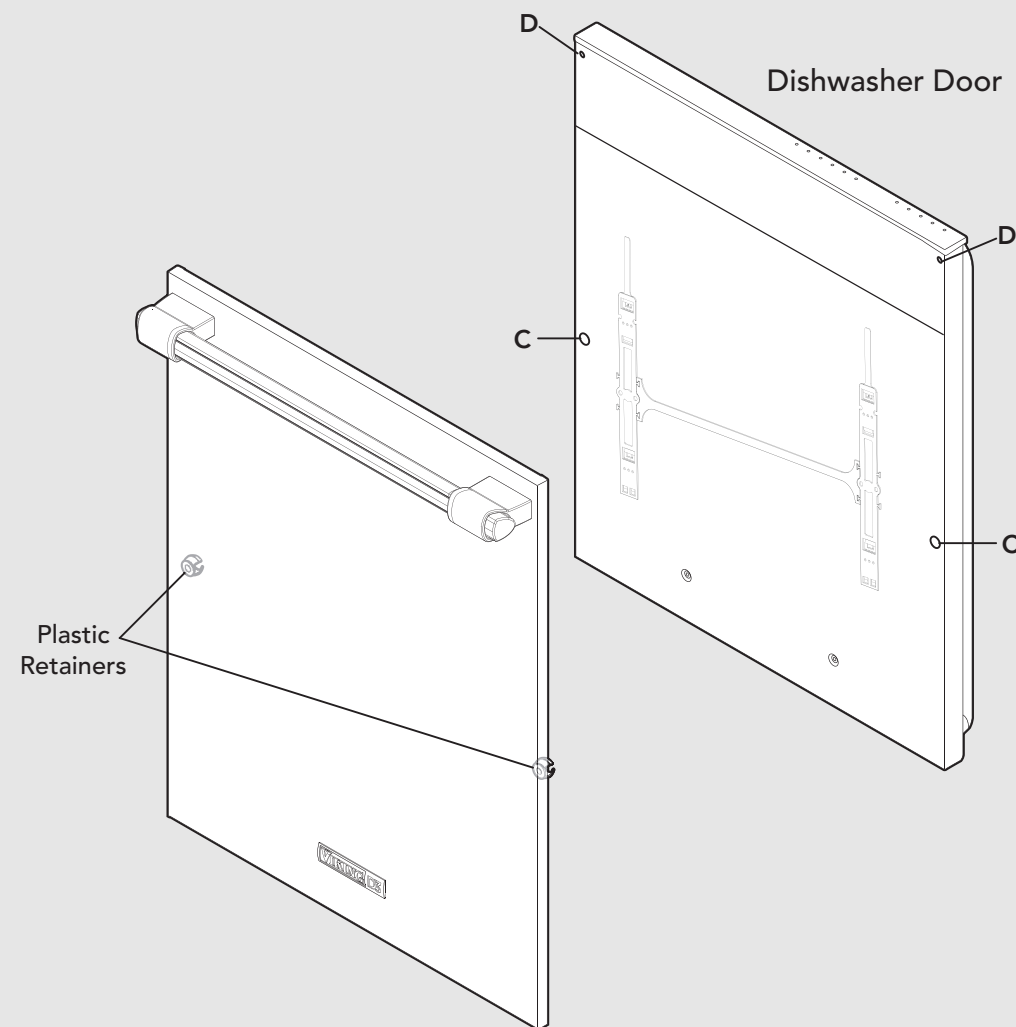
What you will need:



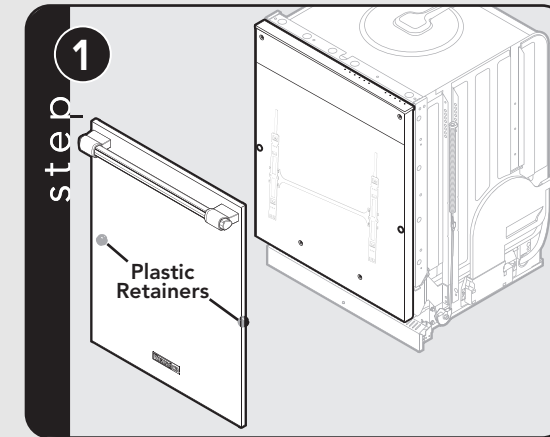
Phillips Head
Screwdriver



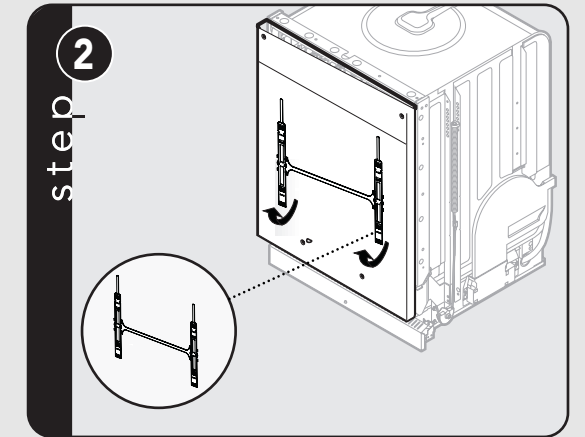
#8 1-1/2" long, Stainless Steel
Flat PHD Screw
(4 supplied)



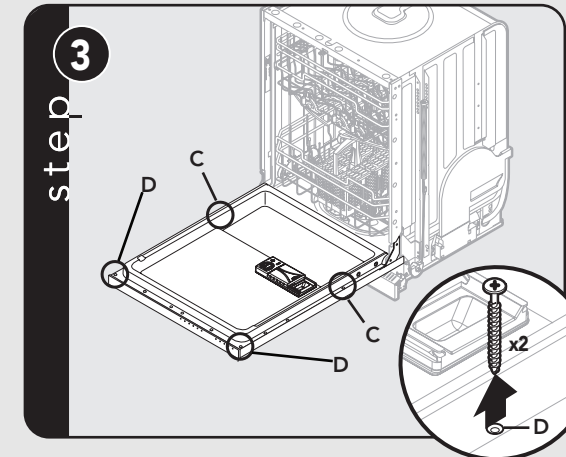
Installation



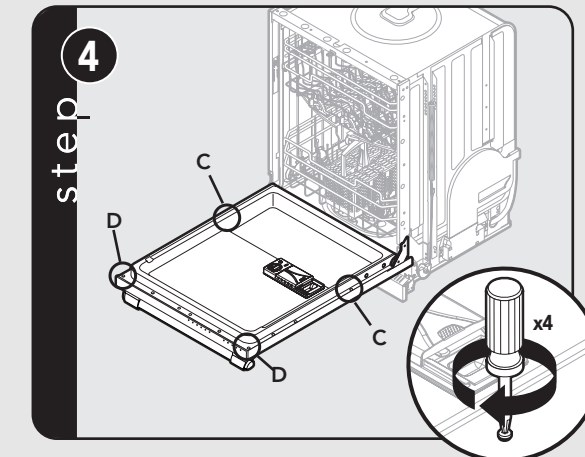
Remove plastic retainers from door panel and discard.



Remove plastic mounting brackets from the dishwasher and discard.



Carefully open the dishwasher door. Remove the (2) white caps from holes (C) and the (2) top screws from holes (D) on dishwasher door



Carefully secure the door panel to the dishwasher through holes (C) and (D) using the four flat PHD screws provided. Carefully tighten all four screws and check to ensure that the panel is square with the dishwasher door. **Do not over tighten screws.** This may cause damage to the inner door.

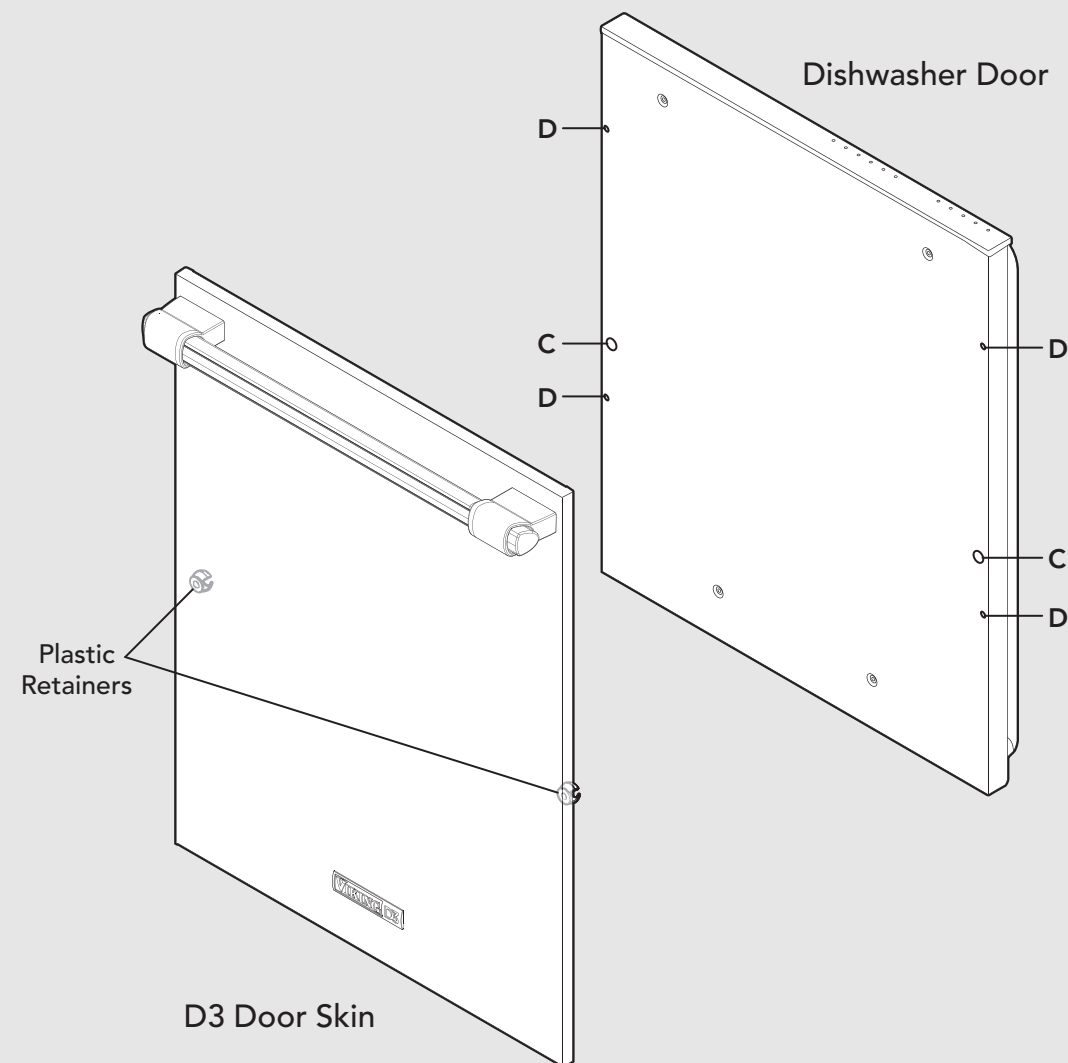
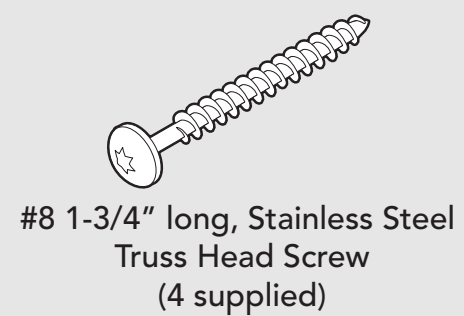
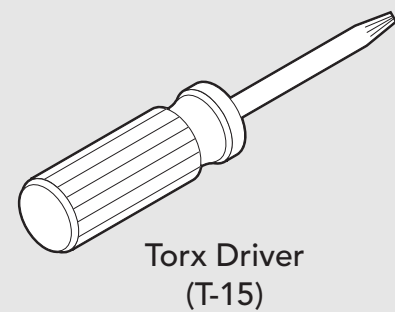
Note: Verify the operation of the door counterbalance springs after installation of the door skin.

Note: Verify that the door does not hit the kickplate. Adjust kickplate if necessary.

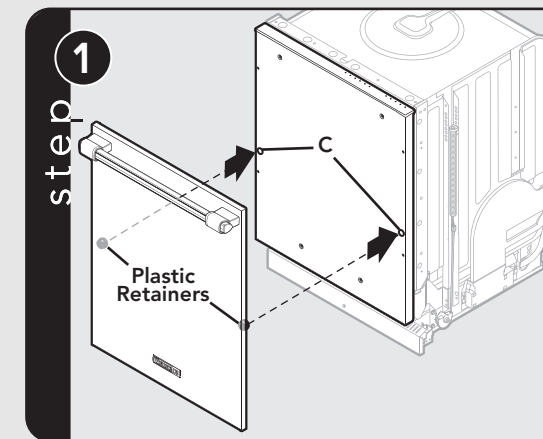
Door Panel Installation (Purchased Separately) For FDB451 Model

The unit comes with everything needed to make installing the door panel easy.

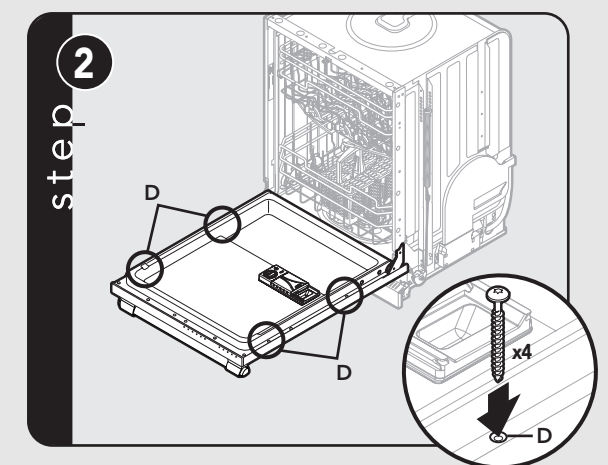
What you will need:



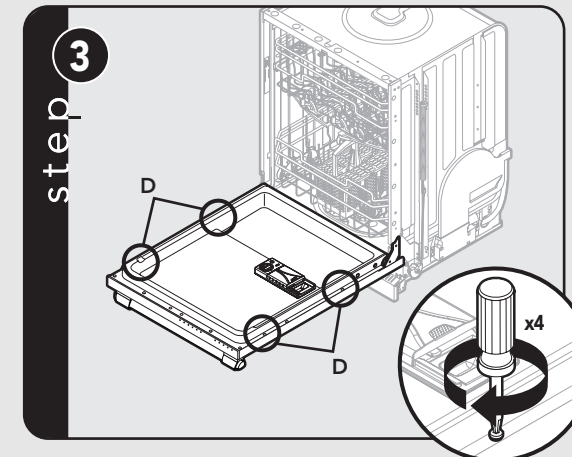
Installation



Position door skin on front of dishwasher door. Snap the plastic retainers on the door skin into the holes (C) on dishwasher door.



While holding the door skin in position, carefully open the dishwasher door. Using the four truss head screws provided, secure the door skin to the four holes (D) on the dishwasher door.



Carefully tighten all four screws and check to ensure that the panel is square with the dishwasher door. **Note:** Verify the operation of the door counterbalance springs after installation of the door skin.

! WARNING

The door skin must not obstruct the fan exhaust vent.

