

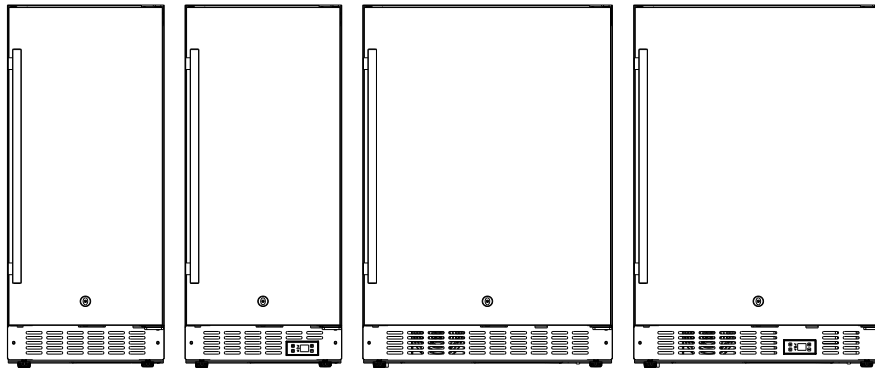


**OUTDOOR & INDOOR FROST-FREE
REFRIGERATORS and FREEZERS**
RÉFRIGÉRATEURS et CONGÉLATEURS
SANS GEL à l'EXTÉRIEUR et à l'INTÉRIEUR

MODELS / MODÈLES :

**Refrigerators / Réfrigérateurs: ALR15B / FF1532B / FF1532X / FF1532XCSS
SPR316OS / AL54 / FF64B / FF64BSS / SPR627OS / SPR628BCSS
SPR629WCSS / ASDS1523 / LASS1544 / ADSS1553 / SDS1528 / LR1548
SDSS1557 / ASDS2413 / LASS2432 / ADSS2443 / SDS2417 / LRS2436
SDSS2447 / SPR618OSADA / LASD2418 / SPR618OS / ASDS2413CSS
LASS2432CSS / ADSS2443CSS**

**Freezers / Congélateurs: SCFF1533B / ALFZ53 / LFZ24A / SCFF53BSSADA
SCFF52W / SCFF53B / SCFF53BSS / SPFF51OS**



Instruction Manual / Mode d'emploi

BEFORE USE, PLEASE READ AND FOLLOW ALL SAFETY RULES AND OPERATING INSTRUCTIONS.

**AVANT L'UTILISATION, VEUILLEZ LIRE ET SUIVRE TOUTES LES REGLES DE SECURITE ET LES
INSTRUCTIONS D'UTILISATION.**

Write Model and Serial Nos. (on lower left corner
of inside cabinet) here:

*Inscrivez les numéros de modèle et de série
(dans le coin inférieur gauche de l'armoire
intérieure) ici:*

Model No.: _____

Serial No.: _____

Felix Storch, Inc.
ISO 9001:2015 registered company
770 Garrison Avenue
Bronx, NY 10474
www.summitappliance.com

TABLE OF CONTENTS

Appliance Safety	3
Important Safeguards	3-4
Location of Parts	5-8
Installation Instructions	9-11
Before Using Your Appliance	9
Installation of Your Appliance	9
Electrical Connection	9-10
Extension Cord	10
Reversing the Door Swing of Your Appliance	10-11
Adjusting the Height of the Unit	11
Adjusting the Kick-plate	11
Installing the Stainless Steel Handle	11
Operating Your Appliance	12-16
Control Panel for Refrigerators	12-14
Control Panel for Freezers	14-15
Sabbath Mode	15
Temperature Memory Function	15
Defrosting	15
Using the Freezer	15
Temperature Alarm / Door Alarm	16
Door Lock	16
Shelves	16
Care and Maintenance	17
Cleaning Your Appliance	17
Power Failure	17
Vacations	17
Moving Your Appliance	17
Energy-Saving Tips	17
Troubleshooting	18-19
Limited Warranty	20
French version of this manual	21-40

APPLIANCE SAFETY

Your safety and the safety of others are very important.

We have provided many important safety messages in this manual and on your appliance. Always read and obey all safety messages.



This is the Safety Alert Symbol. The symbol alerts you to potential hazards that can kill or injure you and others. All safety messages will follow the Safety Alert Symbol and either the word DANGER or WARNING.



DANGER means that failure to heed this safety statement may result in severe personal injury or death.



WARNING means that failure to heed this safety statement may result in extensive product damage, serious personal injury, or death.

All safety messages will alert you about the potential hazard, tell you how to reduce the chance of injury, and let you know what can happen if the instructions are not followed.

IMPORTANT SAFEGUARDS



Before the appliance is used, it must be properly positioned and installed as described in this manual, so read the manual carefully. To reduce the risk of fire, electrical shock or injury when using the appliance, follow basic precautions, including the following:



- Plug into a grounded 3-prong outlet, do not remove grounding prong, do not use an adapter, and do not use an extension cord.
- Replace all panels before operating.
- It is recommended that a separate circuit serving only your appliance be provided. Use receptacles that cannot be turned off by a switch or pull chain.
- Never clean appliance parts with flammable fluids. These fumes can create a fire hazard or explosion. And do not store or use gasoline or other flammable vapors and liquids in the vicinity of this or any other appliance. The fumes can create a fire hazard or explosion.
- Do not connect or disconnect the electric plug when your hands are wet.
- Unplug the appliance or disconnect power before cleaning or servicing. Failure to do so can result in electrical shock or death.
- Do not attempt to repair or replace any part of your appliance unless it is specifically recommended in this manual. All other servicing should be referred to a qualified technician.
- This appliance is CFC- and HFC-free and contains small quantities of Isobutane (R600a) which is environmentally friendly, but flammable. It does not damage the ozone layer, nor does it increase the greenhouse effect. Care must be taken during transportation and setting up of the appliance that no parts of the cooling system are damaged. Leaking coolant can ignite and may damage the eyes.
- In the event of any damage:
 - Avoid open flames and anything which creates a spark,

- Disconnect from the power supply,
- Air the room in which the appliance is located for several minutes and
- Contact the Service Department for advice.
- The more coolant there is in an appliance, the larger the room it should be installed in. In the event of a leakage, if the appliance is in a small room, there is the danger of combustible gases building up. For every ounce of coolant at least 325 cubic feet of room space is required. The amount of coolant in the appliance is stated on the data plate inside the appliance. It is hazardous for anyone other than an Authorized Service Person to carry out servicing or repairs to this appliance.
- Take serious care when handling, moving and using the appliance to avoid either damaging the refrigerant tubing or increasing the risk of a leak.
- Replacing component parts and servicing shall be done by factory authorized service personnel, so as to minimize the risk of possible ignition due to incorrect parts or improper service.

WARNING

FOLLOW WARNING CALLOUTS BELOW ONLY WHEN APPLICABLE TO YOUR MODEL

- Use two or more people to move and install appliance. Failure to do so can result in back or other injury.
- To ensure proper ventilation for your appliance, the front of the unit must be completely unobstructed. Choose a well-ventilated area with temperatures above 44°F (7°C) and below 90°F (32°C).
- The appliance should not be located next to ovens, grills or other sources of high heat.
- The appliance must be installed with all electrical, water and drain connections in accordance with state and local codes. A standard electrical supply (115 V AC only, 60 Hz), properly grounded in accordance with the National Electrical Code and local codes and ordinances, is required.
- Do not kink or pinch the power supply cord of the appliance.
- The size of the fuse (or circuit breaker) should be 15 amperes.
- It is important that the appliance be leveled in order to work properly. You may need to make several adjustments to level it.
- All installations must be in accordance with local plumbing code requirements.
- Make certain that the pipes are not pinched, kinked or damaged during installation.
- Check for leaks after connection.
- Never allow children to operate, play with or crawl inside the appliance.
- Do not use solvent-based cleaning agents or abrasives on the interior. These cleaners may damage or discolor the interior.
- Use this appliance only for its intended purpose as described in this *Instruction Manual*.
- Keep fingers out of the “pinch point” areas. Clearances between the door and cabinet are necessarily small. Be careful closing the door when children are in the area.

DANGER

Risk of child entrapment!

Child entrapment and suffocation are not problems of the past. Junked or abandoned appliances are still dangerous, even if they will “just sit for a few days”.

Before discarding your old refrigerator:

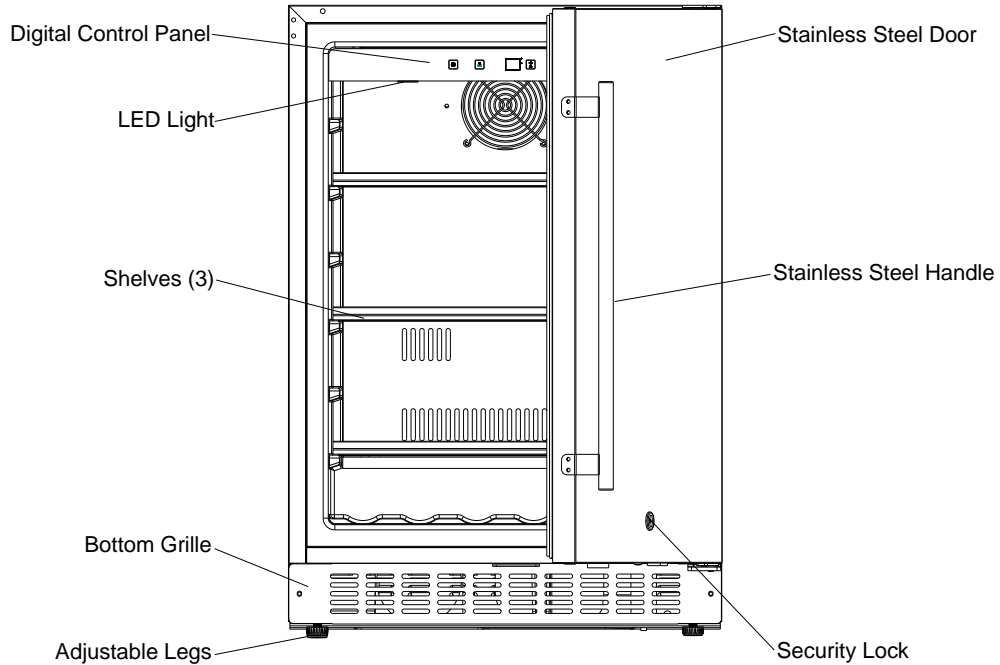
- *Take off the doors*
- *Leave the shelves in place so that children may not easily climb inside.*

- SAVE THESE INSTRUCTIONS -

LOCATION OF PARTS

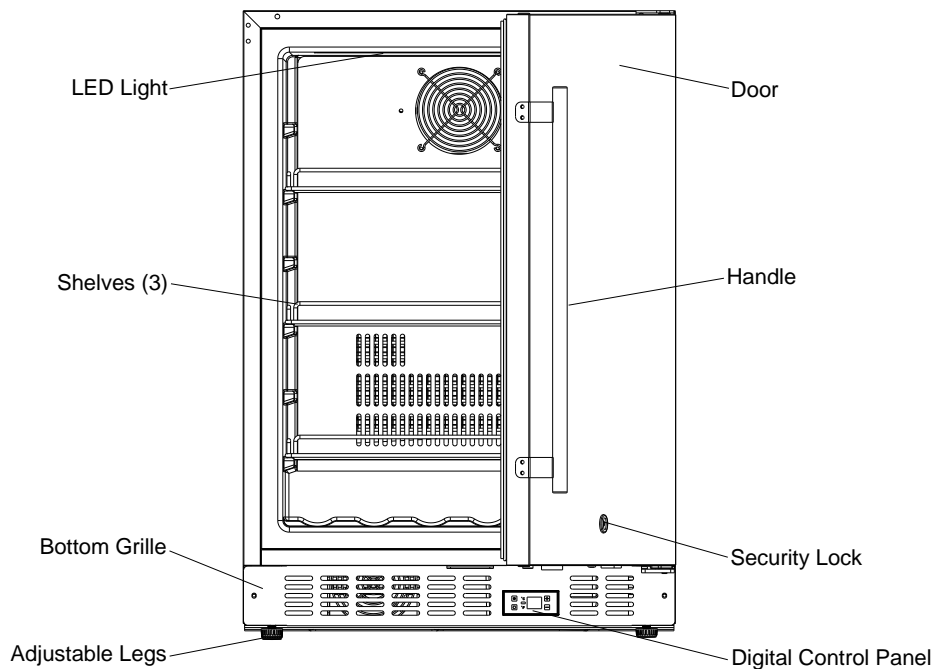
MODEL SPR6270S - OUTDOOR REFRIGERATOR

MODELS FF64B / FF64BSS - FROST-FREE REFRIGERATORS

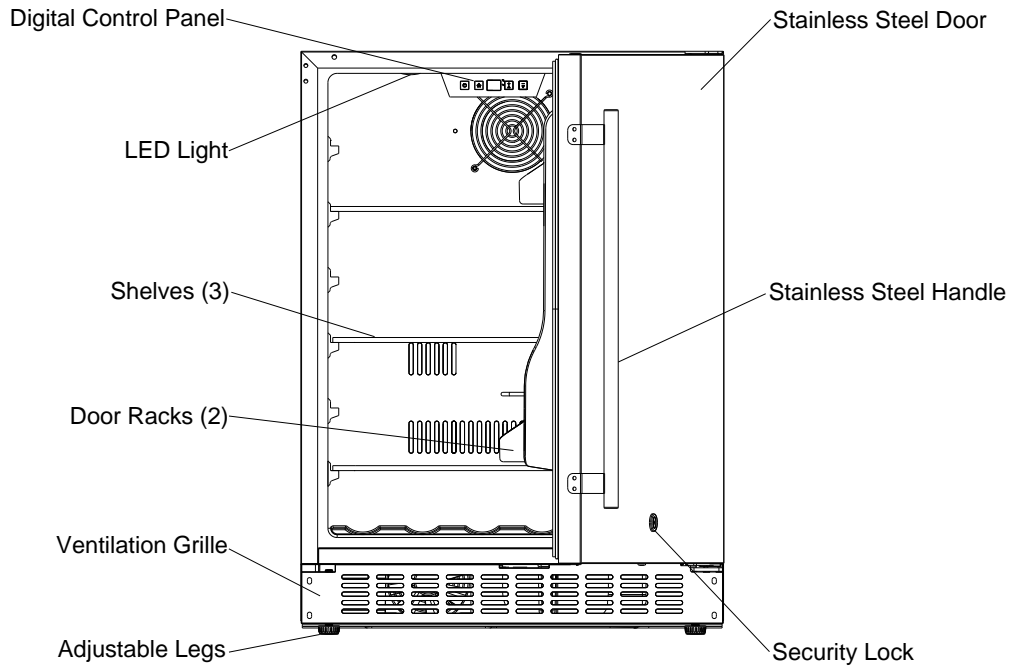


MODEL SPFF510S - OUTDOOR FREEZER

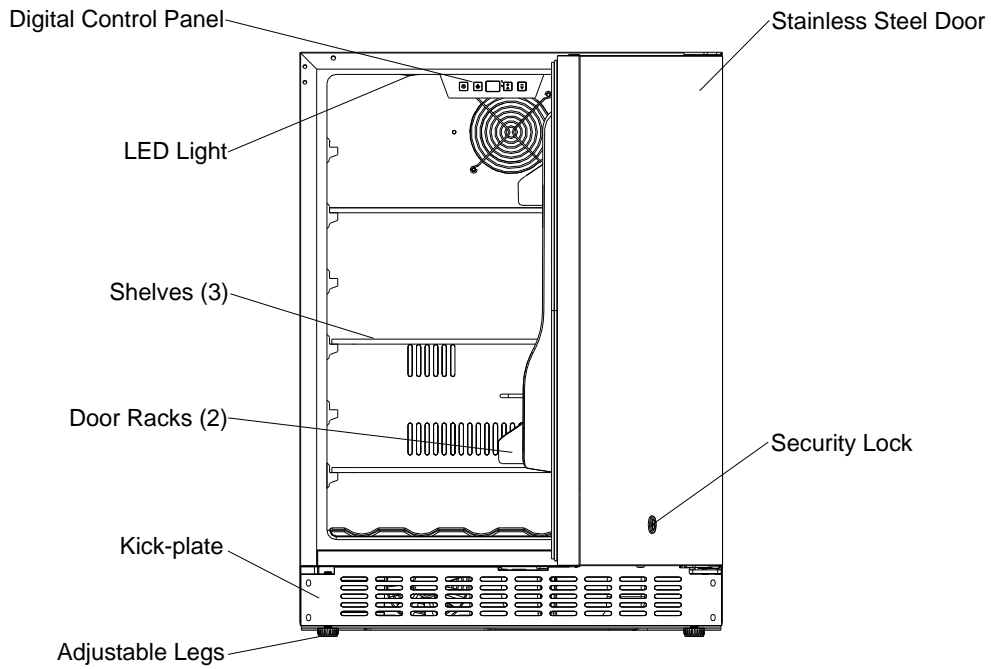
MODELS ALFZ53 / SCFF53BSSADA / LFZ24A / SCFF52W / SCFF53B / SCFF53BSS - FROST-FREE FREEZERS



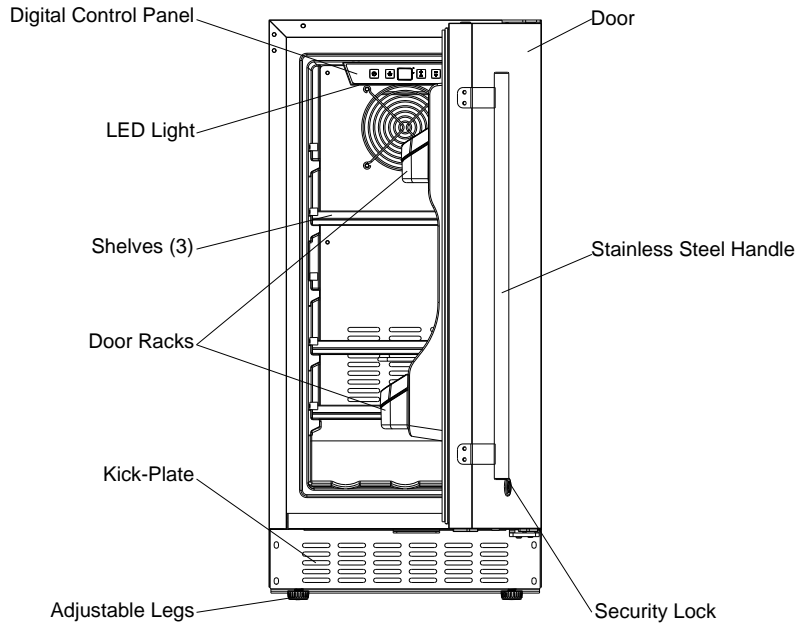
MODEL AL54 – FROST-FREE REFRIGERATOR



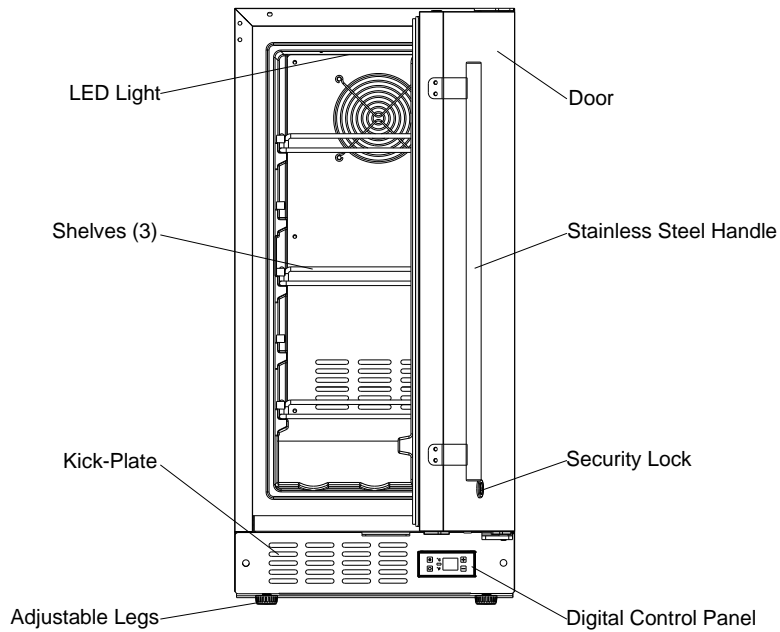
MODEL SPR628BCSS / SPR629WCSS – FROST-FREE REFRIGERATORS



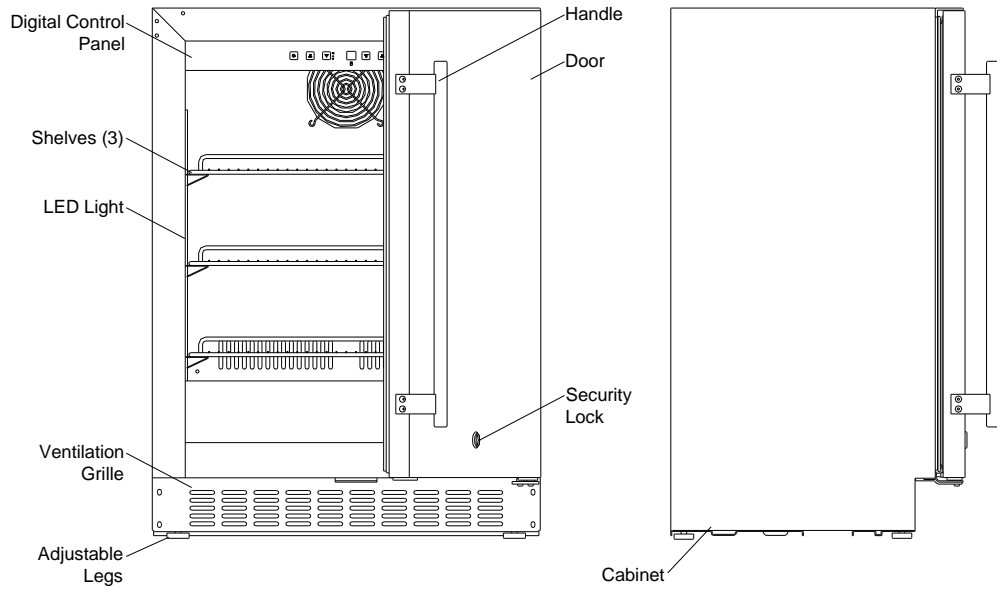
MODEL SPR316OS - OUTDOOR REFRIGERATOR
MODELS ALR15B / FF1532B / FF1532X / FF1532XCSS - FROST-FREE REFRIGERATORS



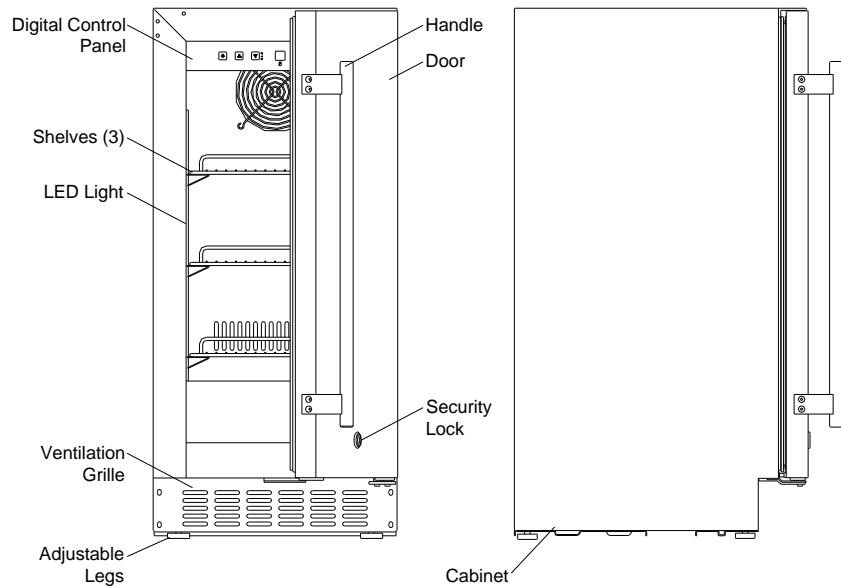
MODEL SCFF1533B - FROST-FREE FREEZER



MODELS SPR618OSADA / LASD2418 / SPR618OS / ASDS2413CSS / LASS2432CSS / ADSS2443CSS - OUTDOOR REFRIGERATORS
MODELS ASDS2413 / LASS2432 / ADSS2443 / SDS2417 / LRS2436 / SDSS2447 - FROST-FREE REFRIGERATORS



MODELS ASDS1523 / LASS1544 / ADSS1553 / SDS1528 / LR1548 / SDSS1557 - FROST-FREE REFRIGERATORS



NOTE: Models designated for outdoor use (find "OS" in suffix of model number) have a reinforced exterior and heavy-duty cord to help withstand the elements.

INSTALLATION INSTRUCTIONS

BEFORE USING YOUR APPLIANCE

- Remove the exterior and interior packing.
- Before connecting the appliance to the power source, let it stand upright for approximately 2 hours. This will reduce the possibility of a malfunction in the cooling system from handling during transportation.
- Clean the interior surface with lukewarm water using a soft cloth.
- Install the handle on the door, if it is not already attached. (See page 11.)

INSTALLATION OF YOUR APPLIANCE

- The appliance is designed for built-in or recessed or free-standing installation for indoor use for models ALR15B, FF1532B, FF1532X, FF1532XCSS, AL54, FF64B, FF64BSS, SCFF1533B, SPR628BCSS, SPR629WCSS, ASDS1523, LASS1544, ADSS1553, SDS1528, LR1548, SDSS1557, ASDS2413, LASS2432, ADSS2443, SDS2417, LRS2436, SDSS2447, SCFF52W, SCFF53B and SCFF53BSS, and outdoor use for SPR316OS, SPR627OS, SPR618OSADA, LASD2418, SPR618OS, ASDS2413CSS, LASS2432CSS, ADSS2443CSS and SPFF51OS.
- **CAUTION:** This appliance is not designed for the storage of medicine or other medical products.
- Place your appliance on a floor that is strong enough to support it when it is fully loaded. To level the unit, adjust the front leveling legs.
- For free standing installation, 5" (127mm) of space between the back and sides of the unit, and 4" (102mm) at the top, are suggested, which allows the proper air circulation to cool the compressor and condenser. Even for built-in installation, it is a must to keep ¼" (6.35mm) space on each side and at the top and 2" (51mm) at the rear. Take care that the air vent at the front of the appliance is never covered or blocked in any way.
- **NOTE:** It is recommended that you do not install the appliance near an oven, radiator or other heating source. Direct sunlight may affect the acrylic coating and heat sources may increase electrical consumption. Don't install in a location where the temperature will fall below 44°F (7°C). For best performance, do not install the appliance behind a cabinet door or block the base grille.
- Avoid locating the unit in moist areas.
- Plug the appliance into an exclusive, properly grounded wall outlet.

ELECTRICAL CONNECTION



WARNING

Improper use of the grounded plug can result in the risk of electrical shock. If the power cord is damaged, have it replaced by a qualified electrician or an authorized service center.

This appliance should be properly grounded for your safety. The power cord of this appliance is equipped with a three-prong plug which mates with standard three-prong wall outlets to minimize the possibility of electrical shock.

Do not under any circumstances cut or remove the third (ground) prong from the power cord supplied. For personal safety, this appliance must be properly grounded. Any questions concerning power and/or grounding should be directed toward a certified electrician or an authorized service center.

This appliance requires a standard 115/120 Volt AC ~ 60Hz three-prong grounded electrical outlet. Have the wall outlet and circuit checked by a qualified electrician to make sure the outlet is properly grounded. When a standard 2-prong wall outlet is encountered, it is your responsibility and obligation to have it replaced with a properly grounded 3-prong wall outlet.

To prevent accidental injury, the cord should be secured behind the appliance and not left exposed or dangling.

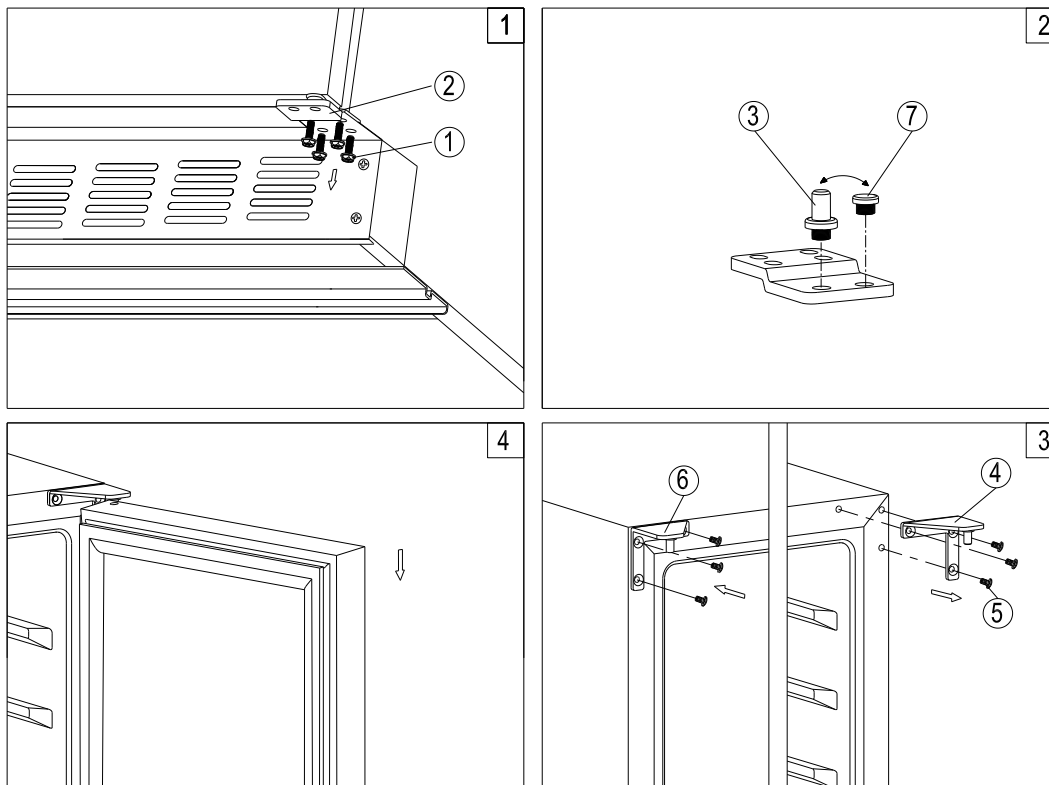
The appliance should always be plugged into its own individual electrical outlet which has a voltage rating that matches the rating label on the appliance. This provides the best performance and also prevents overloading house wiring circuits that could cause a fire hazard from overheating. Never unplug the appliance by pulling on the power cord. Always grip the plug firmly and pull straight out from the receptacle. Repair or replace immediately all power cords that have become frayed or otherwise damaged. Do not use a cord that shows cracks or abrasion damage along its length or at either end. When moving the appliance, be careful not to damage the power cord.

EXTENSION CORD

Because of potential safety hazards under certain conditions, it is strongly recommended that you do not use an extension cord with this appliance. However, if you must use an extension cord, it is absolutely necessary that it be a UL/CUL-Listed, 3-wire grounding type appliance extension cord having a grounding type plug and outlet and that the electrical rating of the cord be 115 volts and at least 10 amperes.

REVERSING THE DOOR SWING OF YOUR APPLIANCE

This unit has the capability of the door opening from either the left or right side. The unit is delivered to you with the door opening from the left side. Should you desire to reverse the opening direction, please follow the reversal instructions shown below.



NOTE: All parts removed must be saved to allow the door swing to be reversed.

1. Remove the bottom hinge (2) by unscrewing the four lock screws (1). Be careful to hold the door firmly after removing the screws. (Fig. 1)
2. Gently pull down to remove the door from the right top hinge and place it on a padded surface to avoid the risk of damage. Then remove the right top hinge (4). (Figs. 3 & 4)

3. Unscrew and transfer pins (3) and (7) of the hinge plate to the opposite side. (Fig. 2)
4. Pop out the cover caps on the left side of the cabinet and use them to cover the screw holes on the right-hand side.
5. Screw the alternative left top hinge (6), included in the fittings, on the left hand side of the cabinet. (Fig. 3)
6. Relocate the door to the designated position. Then screw the bottom hinge assembly on the left designated position and tighten it after the door is leveled.
7. Remove the handle from the left side of the door and install it on the right side. (See *Installing the Stainless Steel Handle*.)

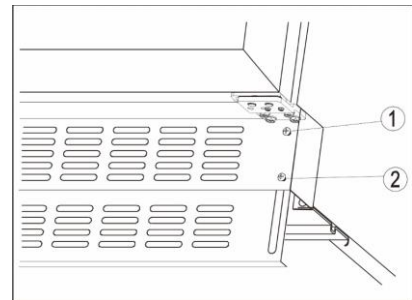
ADJUSTING THE HEIGHT OF THE UNIT

The height of the ADA refrigerators can be increased by up to 3" by turning the adjustable legs. Once the desired height has been achieved, the gap between the kick-plate and the floor can be covered by lowering a hidden section of the kick-plate. See the next section for instructions.

ADJUSTING THE KICK-PLATE

The pre-fitted kick-plate of the appliance includes an adjustable kick-plate section that is initially seated behind the upper section. In order to adjust the kick-plate height, follow the instructions below:

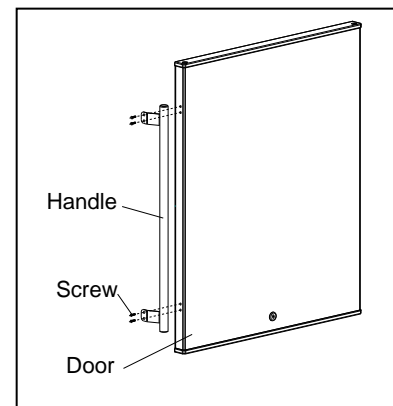
1. Remove the screws (1) from both the top left- and top right-hand sides of the kick-plate.
2. Loosen or remove the screws (2) from both the bottom left and bottom right-hand sides of the kick-plate. Failure to loosen the bottom screws sufficiently may cause damage to the lower trim when adjusting it.
3. Carefully guide the lower trim down until the desired height is achieved.
4. Reinsert screws and tighten them.



INSTALLING THE STAINLESS STEEL HANDLE

This appliance includes a stainless steel handle that is not required to operate the unit. To install the handle, follow the instructions below:

1. Use a screwdriver to remove the screws on the side of the door where the handle is to be installed.
2. Align the handle with the screws removed in step # 1. Tighten the screws using a Phillips head screwdriver until the handle is both flush and secured tightly against the door side. (DO NOT over-tighten as this will cause damage to the stainless steel door surface.)





OPERATING YOUR APPLIANCE

It is recommended you install the appliance in a place where the ambient temperature is between 44° and 90°F (7° to 32°C). If the ambient temperature is above or below the recommended temperatures, the performance of the unit may be affected. For example, placing your unit in extreme cold or hot conditions may cause interior temperatures to fluctuate. The operating temperature range may not be reached.


CONTROL PANEL for REFRIGERATORS



ON/OFF Power

To turn the appliance OFF, press the  symbol and hold for 5 seconds.
To turn the appliance ON, press the  symbol and hold for 1 seconds.

LIGHT

To turn the interior light on/off, press and hold the  key for 5 seconds. The interior light indicator will light up or go out to confirm the selection. The interior light indicator is the dot at the bottom right of the display.

UP

Used to increase (warm) the set temperature by 1°C/1°F.

DOWN

Used to decrease (cool) the set temperature by 1°C/1°F.

DOWN

Used to decrease (cool) the set temperature by 1°C/1°F.

Setting the Temperature Control

- You can set the temperature by touching the **UP** and **DOWN** symbols. When you push either of the two buttons for the first time, the LED readout will show the original temperature set previously. (The temperature preset at the factory is 38°F, or 3°C.)
- The temperature you are setting will increase by one degree each time you touch the **UP** symbol, and will decrease by one degree each time you touch the **DOWN** symbol.
- The range of the temperature control is from 36°F to 43°F.
- To view the set temperature at any time, touch the **UP** or **DOWN** symbol. The set temperature will flash in the display window for 5 seconds. After 5 seconds, the temperature inside the unit will reappear in the display window.

Interior Light

- The interior light makes it easy to view your items. Pressing and holding the **LIGHT** symbol for 5 seconds toggles between 2 modes of operation for the internal lights: functional (default) mode and showcase mode. If you are in functional (default) mode, the lights will turn on only when the door is open. If you are in showcase mode, the lights will be on whether or not the door is open.

Settings Mode

Certain settings on the wine cabinet can only be selected in settings mode.

°F/°C Selection

- Lightly press and hold the **UP** key for 5 seconds.
- Use the **UP** and **DOWN** keys to select the temperature display setting in Fahrenheit or Celsius degree.
- Press the **POWER** key to confirm your selection.
- Press and hold the **UP** key for 5 seconds to leave settings mode. Otherwise, the appliance exits settings mode automatically after approximately one minute.

Display Brightness

- Lightly press and hold the **UP** key for 5 seconds and then press the **POWER** key once.
- Use the **UP** and **DOWN** keys to select the brightness of the display. The factory default setting is d1.
 - d1: Dimmest setting
 - d2: Medium setting
 - d3: Brightest setting
- Press the **POWER** key to confirm your selection.
- Press and hold the **UP** key for 5 seconds to leave settings mode. Otherwise, the appliance exits settings mode automatically after approximately one minute.

Interior Lighting Brightness

- Lightly press and hold the **UP** key for 5 seconds and then press the **POWER** key twice.
- Use the **UP** and **DOWN** keys to select the brightness of the interior lighting. The factory default setting is L3.
 - L1: Dimmest setting
 - L2: Medium setting
 - L3: Brightest setting
- Press the **POWER** key to confirm your selection.
- Press and hold the **UP** key for 5 seconds to leave settings mode. Otherwise, the appliance exits settings mode automatically after approximately one minute.

Fan Mode

- Lightly press and hold the **UP** key for 5 seconds and then press the **POWER** key three times.
- Use the **UP** and **DOWN** keys to select the fan mode. The factory default setting is F0.
 - F0: Silent mode - Energy saving mode
 - F1: DynaClima mode - half time
 - F2: DynaClima mode - full time
- Press the **POWER** key to confirm your selection.
- Press and hold the **UP** key for 5 seconds to leave settings mode. Otherwise, the appliance exits settings mode automatically after approximately one minute.

Audible Tones

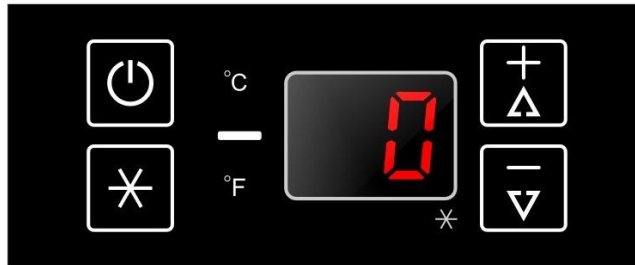
- Lightly press and hold the **UP** key for 5 seconds and then press the **POWER** key four times.
- Use the **UP** and **DOWN** keys to select the audible tones. The factory default setting is S1.
 - S0: Sensor tone ON, alarm tone OFF
 - S1: Sensor tone ON, alarm tone ON

S2: Sensor tone OFF, alarm tone OFF


S3: Sensor tone OFF, alarm tone ON

- Press the **POWER** key to confirm your selection.
- Press and hold the **UP** key for 5 seconds to leave settings mode. Otherwise, the appliance exits settings mode automatically after approximately one minute.

CONTROL PANEL for FREEZERS



ON/OFF Power

To turn the appliance ON or OFF, press and hold the POWER key  for 5 seconds.

NOTE: Pressing the POWER key once can switch off the audible alarm when the alarm is on.

SuperFreeze

SuperFreeze is used to freeze fresh food quickly. The function overrides the thermostat control and will make the compressor operate continuously. It is not necessary to adjust the thermostat setting when using this function. When the function is selected, the SuperFreeze indicator (dot at the bottom right of the display) will be ON. The function can be canceled by pressing the key again and the indicator will turn OFF. SuperFreeze will turn off automatically after 8 hours.

UP

Used to increase (warm) the set temperature by 1°C/1°F.

DOWN

Used to decrease (cool) the set temperature by 1°C/1°F.

°F/°C Selector

Select the temperature display setting in Fahrenheit or Celsius degree. To change the temperature from Fahrenheit to Celsius or from Celsius to Fahrenheit, press and hold the **SUPERFREEZE** key for 5 seconds.

Setting the Temperature Control

- You can set the temperature by pressing the **UP** and **DOWN** keys. When you press either of the two keys for the first time, the LED readout will show the original temperature set previously. (The temperature preset at the factory is 0°F, or -18°C.)
- The temperature you are setting will increase by one degree each time you press the **UP** key, and will decrease by one degree each time you press the **DOWN** key.
- The range of the temperature control is from -11°F to 11°F.
- To view the set temperature at any time, press the **UP** or **DOWN** key. The set temperature will flash in the display window for 5 seconds. After 5 seconds, the temperature inside the unit will reappear in the display window.

Interior Light

The unit is equipped with an interior LED light which will be turned ON when the door is open.

NOTE:

- If the unit is unplugged, or power is lost or turned off, you must wait 3 to 5 minutes before restarting the unit. If you attempt to restart before this time delay, the unit will not start.
- When you use the unit for the first time or restart the unit after it has been shut off for a long time, there could be a few degrees variance between the temperature you select and the one indicated on the LED readout. This is normal and is due to the length of the activation time. There should not be a problem once the unit has been running for a few hours.

SABBATH MODE

Sabbath mode is available for the observance of certain religious holidays. This mode turns off the displays, interior light and audible alarms and prevents them from turning on again. Normal cooling operations will still take place.

To initiate Sabbath mode, press the **POWER** and **LIGHT** keys at the same time for at least 5 seconds for the refrigerators, or press the **POWER** and **SUPERFREEZE** keys at the same time for at least 5 seconds for the freezers. The temperature display will go out to confirm that the Sabbath mode is ON.

Sabbath mode can be canceled by repeating the above process. The Sabbath Mode will automatically turn off after 48 hours.

TEMPERATURE MEMORY FUNCTION

- In the event of a power interruption (power surge, breaker switch, etc.), the unit can remember the previous temperature settings, and when the power is recovered, the cabinet temperature will return to the same setting temperature as before the power went off.

DEFROSTING

- The unit defrosts automatically in normal operating conditions.
- The evaporator behind the rear wall of the unit defrosts automatically. The condensate collects in the drainage channel behind the rear wall of the unit, and flows through the drainage hole into the drip tray by the compressor where it evaporates.
- However, frost may accumulate on the evaporator if the unit is repeatedly opened in a high heat or high humidity location. If this frost pattern does not clear within 24 hours, your unit will require manual defrosting.

USING THE FREEZER

- These freezers are designed for the long-term storage of frozen food. Storage time is up to three months.
- The storage life of frozen foods varies and the recommended storage time should not be exceeded.
- Pre-packaged commercially frozen food should be stored in accordance with the frozen foods manufacturer's instructions for a three star frozen food storage compartment or home freezer.
- Place frozen food into the freezer as quickly as possible after purchase. If there are instructions on the packet, carefully follow these instructions regarding storage times.

TEMPERATURE ALARM / DOOR ALARM

- An audible alarm sounds if the storage temperature is not cold enough. The temperature display flashes at the same time.
- The cause of the temperature being too high may be:
 - Warm fresh food was placed inside
 - Too much warm ambient air flowed in when rearranging and removing food
 - Power failure for some time
 - The appliance is faulty
- The audible alarm is automatically silenced and the temperature display stops flashing when the temperature is sufficiently cold again.
- If the door has been left open for more than 60 seconds, the alarm will sound. Pressing the POWER key once can switch off the audible alarm.

DOOR LOCK

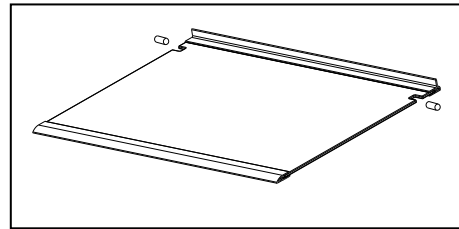
Your unit is provided with a lock and key combination.

The keys are located inside the plastic bag that contains the *Instruction Manual*. Insert the key into the lock and turn it counter-clockwise to unlock the door. To lock the door, do the reverse operation, making sure the metal pin is engaged completely. Remove the key and put it in a secure place for safekeeping.

SHELVES

To prevent damaging the door gasket, make sure to have the door all the way open when pulling the shelves out of the rail compartment.

- Any of the shelves can be removed to store larger items.
- When removing the shelf out of the rail compartment, make sure to remove all items first. Then move the shelf to the position where the notch of the shelf is exactly under the plastic post and lift the shelf. In order to replace the shelf, repeat steps described above in reverse.



CARE AND MAINTENANCE

CLEANING YOUR APPLIANCE

- Turn off the power, unplug the appliance, and remove all items, including shelves.
- Wash the inside surfaces with a solution of warm water and baking soda (about 2 tablespoons of baking soda to a quart of water).
- Wash the shelves with a mild detergent solution.
- Wring excess water out of the sponge or cloth when cleaning the area where the controls are located, or any electrical parts.
- Wash the outside cabinet with warm water and mild liquid detergent. Rinse well and wipe dry with a clean soft cloth.
- Use an approved stainless steel cleaner to clean the door and handle. Do not use steel wool or a steel brush on the stainless steel.

CAUTION:

Failure to unplug the appliance during cleaning could result in electrical shock or other personal injury.

POWER FAILURE

Most power failures are corrected within a few hours and should not affect the temperature of your appliance if you minimize the number of times the door is opened. If the power is going to be off for a longer period of time, you need to take the proper steps to protect the contents.

VACATIONS

- **Short vacations:** Leave the appliance operating during vacations of less than three weeks.
- **Long vacations:** If the appliance will not be used for several months, remove all items and turn off the appliance. Clean and dry the interior thoroughly. To prevent odor and mold growth, leave the door open slightly, blocking it open if necessary.

MOVING YOUR APPLIANCE

1. Remove all items.
2. Securely tape down all loose items (shelves) inside your appliance.
3. Turn the adjustable legs up to the base to avoid damage.
4. Tape the door shut.
5. Be sure the appliance stays secure in the upright position during transportation. Also, protect the outside of the appliance with a blanket or similar item.

ENERGY-SAVING TIPS

- The appliance should be located in the coolest area of the room or outdoor location, away from heat-producing appliances and out of direct sunlight.
- Ensure that the unit is adequately ventilated. Never cover air vents.
- Do not keep the door open any longer than necessary.
- Let hot foods cool to room temperature before placing in the unit. Overloading the unit forces the compressor to run longer.
- Be sure to wrap foods properly, and wipe containers dry before placing them in the unit. This cuts down on frost build-up inside the unit.
- Unit shelves and storage bins should not be lined with aluminum foil, wax paper, or paper toweling. Liners interfere with cold air circulation, making the unit less efficient.
- Organize and label food to reduce door openings and extended searches. Remove as many items as needed at one time, and close the door as soon as possible.

TROUBLESHOOTING

You can solve many common problems easily, saving you the cost of a possible service call. Try the suggestions below to see if you can solve the problem before calling the servicer.

Troubleshooting Guide

PROBLEM	POSSIBLE CAUSE	REMEDY
Appliance does not operate.	<ul style="list-style-type: none"> • Appliance is not connected to a power supply. • The appliance is turned off. • Tripped circuit breaker or a blown fuse. 	<ul style="list-style-type: none"> • Connect the appliance. • Switch on the appliance. • Switch on circuit breaker or replace fuse.
Appliance is not cold enough.	<ul style="list-style-type: none"> • The temperature is not set correctly. • The ambient temperature could require a lower temperature setting. • The door was opened too often. • The door was not closed completely. • Door is not hermetically sealed. • The condenser is too dirty. • The ventilation opening is blocked or too dusty. 	<ul style="list-style-type: none"> • Check the set temperature. • Set a lower temperature. • Do not open the door more often than necessary. • Close door properly. • Check the door seal and clean or replace. • Clean the condenser when necessary. • Clear the obstructions and clean the dust.
Appliance turns itself on and off frequently.	<ul style="list-style-type: none"> • The room temperature is higher than average. • A large amount of food has been added to the unit. • The door is open too often. • The door is not closed completely. • The door gasket does not seal properly. 	<ul style="list-style-type: none"> • Put the appliance in a cooler place. • Leave the appliance to work for a while until the set temperature has been reached. • Do not open the door more often than necessary. • Close door properly. • Check the door seal and clean or replace.
The light does not work.	<ul style="list-style-type: none"> • Appliance is not connected to a power supply. • Tripped circuit breaker or a blown fuse. • The light was switched off on the control panel. 	<ul style="list-style-type: none"> • Connect the appliance. • Switch on circuit breaker or replace fuse. • Switch on the light.
Vibrations	<ul style="list-style-type: none"> • The appliance is not properly leveled. 	<ul style="list-style-type: none"> • Level the appliance with the adjustable feet.
The appliance seems to make too much noise.	The rattling noise may come from the flow of the refrigerant, which is normal. As each cycle ends, you may hear gurgling sounds caused by the flow of refrigerant in your appliance. If temperature fluctuations occur, the contraction and expansion of the inner walls may cause popping and crackling noises.	
	<ul style="list-style-type: none"> • The appliance is not properly level. 	<ul style="list-style-type: none"> • Level the appliance with the adjustable feet.
The door will not close properly.	<ul style="list-style-type: none"> • The appliance is not properly level. • The door was reversed and not properly installed. • The gasket is dirty. 	<ul style="list-style-type: none"> • Level the appliance with the adjustable feet. • Check the door hinge and reassemble correctly. • Clean the door gasket.

	<ul style="list-style-type: none"> • The shelves are out of position. 	<ul style="list-style-type: none"> • Check the shelves and refit correctly.
Display "E0", "E1", "E2", "E3", "E4", "E5" or "E7".	<ul style="list-style-type: none"> • "E0" indicates a communication error for 3-zone models. • "E1" or "E2" indicates that the air temperature sensor has failed. • "E3" or "E4" indicates that the defrost sensor in the evaporator has failed. • "E5" indicates a defrost heater failure. • "E7" indicates a door switch failure. 	<ul style="list-style-type: none"> • Call for service.
The alarm sounds and the temperature display flashes.	<p>Has the appliance door been open for longer than 60 seconds? If not, then the temperature has risen higher or fallen lower than the temperature that has been set. This could be due to:</p> <ul style="list-style-type: none"> • The appliance door being opened too often. • The ventilation opening being covered or too dusty. • A lengthy interruption in the power supply. • A large amount of food has been added to the unit. 	<p>If yes, close the door.</p> <ul style="list-style-type: none"> • Do not open the door more often than necessary. • Clear the obstructions and clean the dust. • Leave the appliance to work for a while until the set temperature has been reached.
The icon "--" is lit and flashing in the temperature display.	<ul style="list-style-type: none"> • The display temperature is out of range. 	<ul style="list-style-type: none"> • Only temperatures within the range 0~99°F/-9~37°C for refrigerators and the range -49~99°F/-45~37°C for freezers can be displayed. If the temperature is not within this range, the icon "--" will be displayed instead. This is normal.

If you've checked the table above and find that you still need help with your appliance, call our Customer Service facility at **800-932-4267** between 9:00AM and 5:00PM ET. We will do our best to answer your questions.

CALIFORNIA CARB/SNAP DISCLOSURE

This product uses eco-friendly hydrocarbon refrigerant and fully complies with California CARB regulations.

However, we are required by California Law to provide the following disclosure statement in every product sold in California.

"This equipment is prohibited from use in California with any refrigerants on the 'List of Prohibited Substances' for that specific end-use, in accordance with California Code of Regulations, title 17, section 95374. This disclosure statement has been reviewed and approved by Felix Storch, Inc. and Felix Storch, Inc. attests, under penalty of perjury, that these statements are true and accurate."

This product does **not** use any refrigerants on the 'List of Prohibited Substances'"



LIMITED WARRANTY

ONE-YEAR LIMITED WARRANTY

Within the 48 contiguous United States, for one year from the date of purchase, when this appliance is operated and maintained according to instructions attached to or furnished with the product, warrantor will pay for factory-specified parts and repair labor to correct defects in materials or workmanship. Service must be provided by a designated service company. Outside the 48 states, all parts are warranted for one year from manufacturing defects. Plastic parts, shelves and cabinets are warranted to be manufactured to commercially acceptable standards, and are not covered from damage during handling or breakage.

5-YEAR COMPRESSOR WARRANTY

1. The compressor is covered for 5 years.
2. Replacement does not include labor.

ITEMS WARRANTOR WILL NOT PAY FOR:

1. Service calls to correct the installation of your appliance, to instruct you how to use your appliance, to replace or repair fuses or to correct wiring or plumbing.
2. Service calls to repair or replace appliance light bulbs or broken shelves. Consumable parts (such as filters) are excluded from warranty coverage.
3. Damage resulting from accident, alteration, misuse, abuse, fire, flood, acts of God, improper installation, installation not in accordance with electrical or plumbing codes, or use of products not approved by warrantor.
4. Replacement parts or repair labor costs for units operated outside the United States.
5. Repairs to parts or systems resulting from unauthorized modifications made to the appliance.
6. The removal and reinstallation of your appliance if it is installed in an inaccessible location or is not installed in accordance with published installation instructions.

DISCLAIMER OF IMPLIED WARRANTIES; LIMITATION OF REMEDIES

CUSTOMER'S SOLE AND EXCLUSIVE REMEDY UNDER THIS LIMITED WARRANTY SHALL BE PRODUCT REPAIR AS PROVIDED HEREIN. IMPLIED WARRANTIES, INCLUDING WARRANTIES OF MERCHANTABILITY OR FITNESS FOR A PARTICULAR PURPOSE, ARE LIMITED TO ONE YEAR. WARRANTOR SHALL NOT BE LIABLE FOR INCIDENTAL OR CONSEQUENTIAL DAMAGES. SOME STATES DO NOT ALLOW THE EXCLUSION OR LIMITATION OF INCIDENTAL OR CONSEQUENTIAL DAMAGES, OR LIMITATIONS ON THE DURATION OF IMPLIED WARRANTIES OF MERCHANTABILITY OR FITNESS, SO THESE EXCLUSIONS OR LIMITATIONS MAY NOT APPLY TO YOU. THIS WARRANTY GIVES YOU SPECIFIC LEGAL RIGHTS AND YOU MAY ALSO HAVE OTHER RIGHTS, WHICH VARY FROM STATE TO STATE.



WARNING: This product can expose you to chemicals including Nickel (Metallic) which is known to the State of California to cause cancer.

For more information go to www.P65Warnings.ca.gov

Note: Nickel is a component in all stainless steel and some other metallic compositions.

FELIX STORCH, INC.
770 Garrison Avenue
Bronx, NY 10474
Phone: (718) 893-3900
Fax: (844) 478-8799
www.summitappliance.com

SUMMIT
PROFESSIONAL

For parts and accessory ordering,
troubleshooting and helpful hints, visit:
www.summitappliance.com/support

TABLE DE MATIÈRES

Sécurité de l'appareil	22
Mesures de sécurité importantes	22-23
Emplacement des pièces	24-27
Instructions d'installation	28-30
Avant d'utiliser votre appareil	28
Installation de votre appareil	28
Connexion électrique	28-29
Rallonge	29
Inversion de l'ouverture de la porte de votre appareil	29-30
Réglage de la hauteur de l'unité	30
Réglage de la plinthe	30
Installation de la poignée en acier inoxydable	30
Utilisation de votre appareil	31-35
Panneau de commande pour réfrigérateurs	31-33
Panneau de commande pour congélateurs	33-34
Mode Sabbat	34
Fonction de mémoire de température	34
Dégivrage	34
Utilisation du congélateur	35
Alarme de Température / Alarme de porte	35
Verrou	35
Étagères	35
Soin et entretien	36
Nettoyage de votre appareil	36
Panne électrique	36
Vacances	36
Déplacer votre appareil	36
Conseils d'économie d'énergie	36
Dépannage	37-38
Garantie limitée	40

SÉCURITÉ DE L'APPAREIL

Votre sécurité et la sécurité des autres sont très importantes.

Nous avons fourni de nombreux messages de sécurité importants dans ce manuel et sur votre appareil. Toujours lire et respecter tous les messages de sécurité.



C'est le symbole d'alerte de sécurité. Le symbole vous avertit des dangers potentiels pouvant vous tuer ou vous blesser, ainsi que d'autres personnes. Tous les messages de sécurité suivront le symbole d'alerte de sécurité et le mot DANGER ou AVERTISSEMENT.



DANGER signifie que ne pas tenir compte de cette déclaration de sécurité peut entraîner des blessures graves ou la mort.



AVERTISSEMENT signifie que le non-respect de cette déclaration de sécurité peut entraîner des dommages importants au produit, des blessures graves ou la mort.

Tous les messages de sécurité vous alerteront sur le danger potentiel, vous indiqueront comment réduire le risque de blessure et vous indiqueront ce qui peut se produire si les instructions ne sont pas suivies.

MESURES DE SÉCURITÉ IMPORTANTES



Avant que l'appareil soit utilisé, il doit être correctement positionné et installé comme décrit dans ce manuel, lisez attentivement le manuel. Pour réduire le risque d'incendie, choc électrique ou des blessures lors de l'utilisation de l'appareil, suivez les précautions de base, y compris les suivantes :



- Branchez-le sur une prise à trois broches reliée à la terre, ne retirez pas la broche de mise à la terre, n'utilisez pas d'adaptateur et n'utilisez pas de rallonge.
- Remplacez tous les panneaux avant de les utiliser.
- Il est recommandé de prévoir un circuit séparé desservant uniquement votre appareil. Utilisez des prises qui ne peuvent pas être éteintes par un interrupteur ou une chaîne de traction.
- Ne jamais nettoyer les pièces de l'appareil avec des fluides inflammables. Ces vapeurs peuvent créer un risque d'incendie ou d'explosion. Et ne rangez pas et n'utilisez pas d'essence ou d'autres vapeurs et liquides inflammables à proximité de cet appareil ou de tout autre appareil. Les vapeurs peuvent créer un risque d'incendie ou d'explosion.
- Ne pas brancher ou débrancher la prise électrique lorsque vos mains sont mouillées.
- Débranchez l'appareil ou débranchez l'alimentation avant de le nettoyer ou de le réparer. Ne pas le faire peut entraîner un choc électrique ou la mort.
- N'essayez pas de réparer ou de remplacer une pièce de votre appareil à moins que cela ne soit spécifiquement recommandé dans ce manuel. Tout autre service doit être confié à un technicien qualifié.
- Cet appareil est exempt de CFC et de HFC et contient de petites quantités d'isobutane (R600a), qui est respectueux de l'environnement, mais inflammable. Il ne porte pas atteinte à la couche d'ozone ni n'augmente l'effet de serre. Pendant le transport et l'installation de l'appareil, il faut veiller à ce qu'aucune partie du système de refroidissement ne soit endommagée. Une fuite de liquide de

refroidissement peut s'enflammer et peut endommager les yeux.

En cas de dommage :

- Éviter les flammes nues et tout ce qui produit une étincelle,
 - Débrancher de l'alimentation électrique,
 - Aérer la pièce dans laquelle se trouve l'appareil pendant plusieurs minutes, et
 - Communiquer avec le Service technique pour obtenir des conseils.
- Plus un appareil contient de liquide de refroidissement, plus la pièce dans laquelle il sera installé doit être grande. Dans le cas d'une fuite, si l'appareil est dans une petite pièce, il y a danger d'accumulation de gaz combustibles. Pour chaque once de liquide de refroidissement, un minimum de 9,20 m³ d'espace est nécessaire. La quantité de liquide de refroidissement que contient l'appareil est indiquée sur la plaque signalétique à l'arrière de l'appareil. Il est dangereux pour quiconque autre qu'un technicien de service autorisé de procéder à l'entretien ou la réparation de cet appareil.
 - Faire attention lors de la manipulation, du déplacement, et l'utilisation de l'appareil, afin d'éviter soit d'endommager la tuyauterie de réfrigérant ou d'augmenter le risque de fuite.
 - Le remplacement des pièces et l'entretien doivent être effectués par le personnel de service autorisé de manière à minimiser le risque possible d'inflammation en raison de mauvaises pièces ou d'un entretien inadéquat.



AVERTISSEMENT

SUIVEZ CES AVERTISSEMENTS SEULEMENT LORSQU'ILS SONT APPLICABLES À VOTRE MODÈLE

- Utilisez deux personnes ou plus pour déplacer et installer l'appareil. Ne pas le faire peut entraîner des blessures au dos.
- Pour assurer une ventilation adéquate de votre appareil, l'avant de l'appareil doit être complètement dégagé. Choisissez un endroit bien ventilé avec des températures supérieures à 7 ° C (44 ° F) et inférieures à 32 ° C (90 ° F).
- L'appareil ne doit pas être situé à proximité de fours, de grils ou d'autres sources de chaleur.
- L'appareil doit être installé avec tous les raccordements électriques, d'eau et de vidange conformément aux codes locaux et d'état. Une alimentation électrique standard (115 VCA uniquement, 60 Hz), correctement mise à la terre conformément au Code national de l'électricité et aux codes et règlements locaux, est requise.
- Ne pas plier ou pincer le cordon d'alimentation de l'appareil.
- La taille du fusible (ou du disjoncteur) doit être de 15 ampères.
- Il est important que l'appareil soit mis à niveau pour fonctionner correctement. Vous devrez peut-être effectuer plusieurs ajustements pour le niveler.
- Toutes les installations doivent être conformes aux exigences du code de plomberie local.
- Assurez-vous que les tuyaux ne sont pas pincés, pliés ou endommagés lors de l'installation.
- Vérifiez les fuites après la connexion.
- Ne laissez jamais les enfants fonctionner, jouer avec ou ramper à l'intérieur de l'appareil.
- N'utilisez pas de produits nettoyants à base de solvants ou d'abrasifs à l'intérieur. Ces nettoyants peuvent endommager ou décolorer l'intérieur.
- Utilisez cet appareil uniquement pour l'usage prévu, tel que décrit dans ce manuel d'instructions.
- Gardez les doigts hors des zones de "pincement". Les dégagements entre la porte et le meuble sont nécessairement petits. Faites attention en fermant la porte quand les enfants sont dans la zone.



DANGER



Risque de piégeage des enfants!

La capture d'enfants et la suffocation ne sont pas des problèmes du passé. Les appareils indésirables ou abandonnés sont toujours dangereux, même s'ils «resteront assis pendant quelques jours».

Avant de jeter votre vieux réfrigérateur :

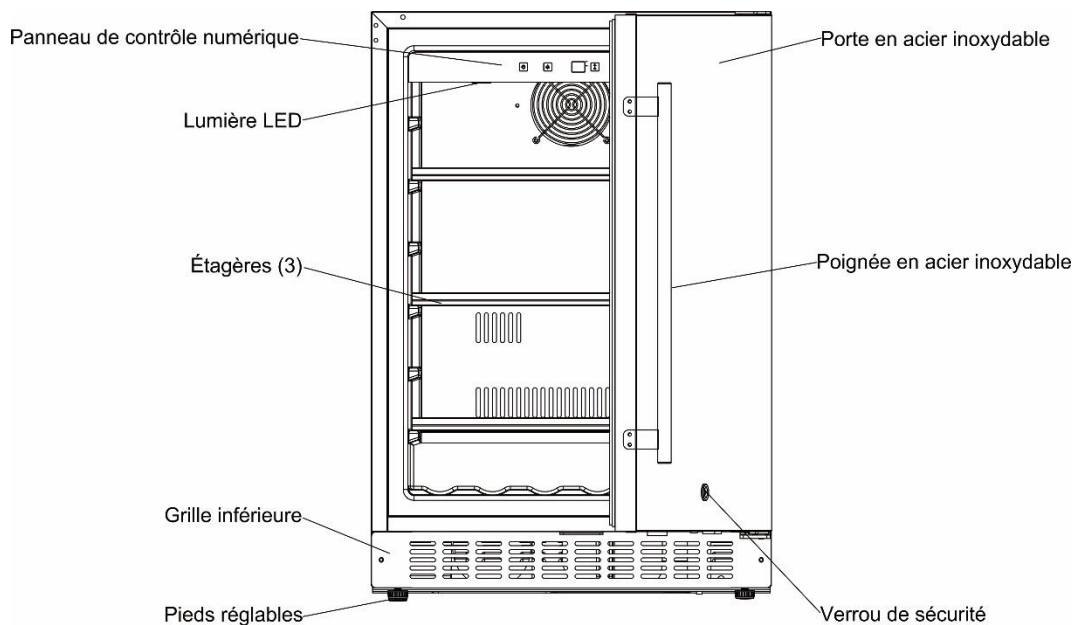
- Enlever les portes
- Laissez les étagères en place pour que les enfants ne puissent pas facilement y pénétrer.

- CONSERVER CES INSTRUCTIONS -

EMPLACEMENT DES PIÈCES

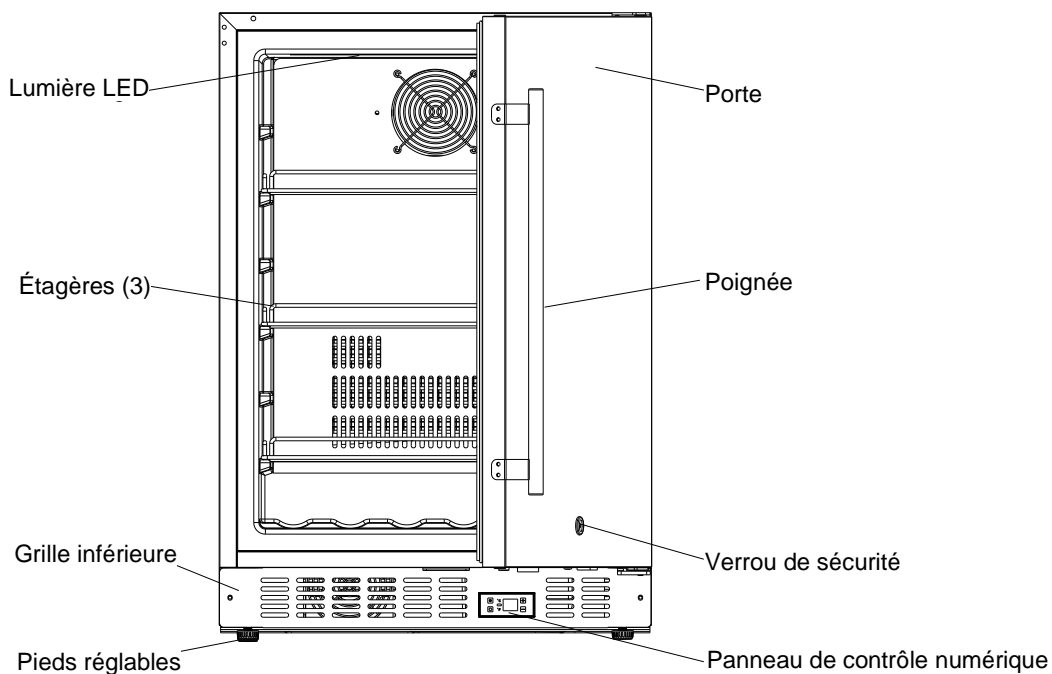
MODÈLE SPR627OS - RÉFRIGÉRATEUR EXTÉRIEUR

MODÈLES FF64B / FF64BSS - RÉFRIGÉRATEURS SANS GEL

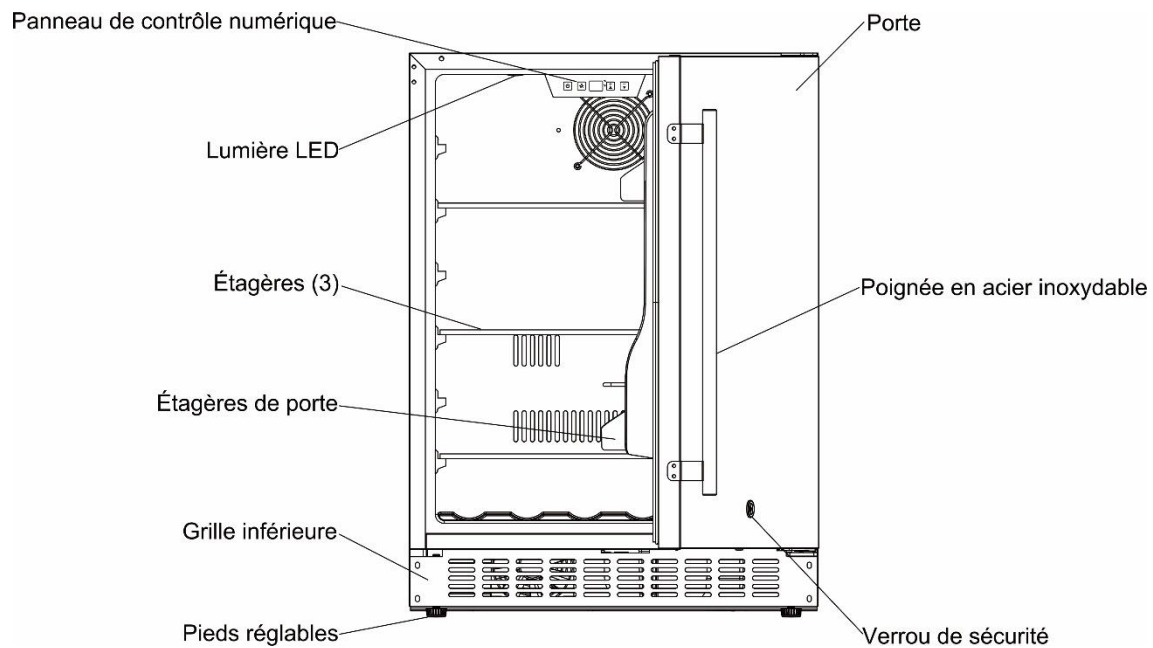


MODÈLE SPFF51OS - CONGÉLATEUR EXTÉRIEUR

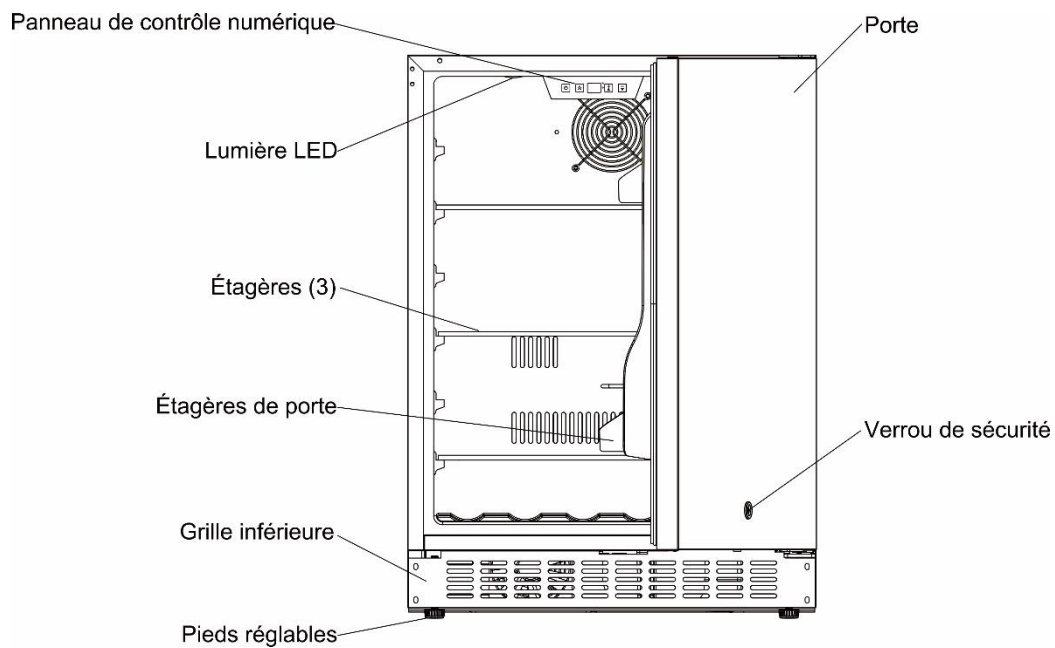
MODÈLES ALFZ53 / SCFF53BSSADA / LFZ24A / SCFF52W / SCFF53B / SCFF53BSS - CONGÉLATEURS SANS GEL



MODÈLES AL54 - RÉFRIGÉRATEURS SANS GEL

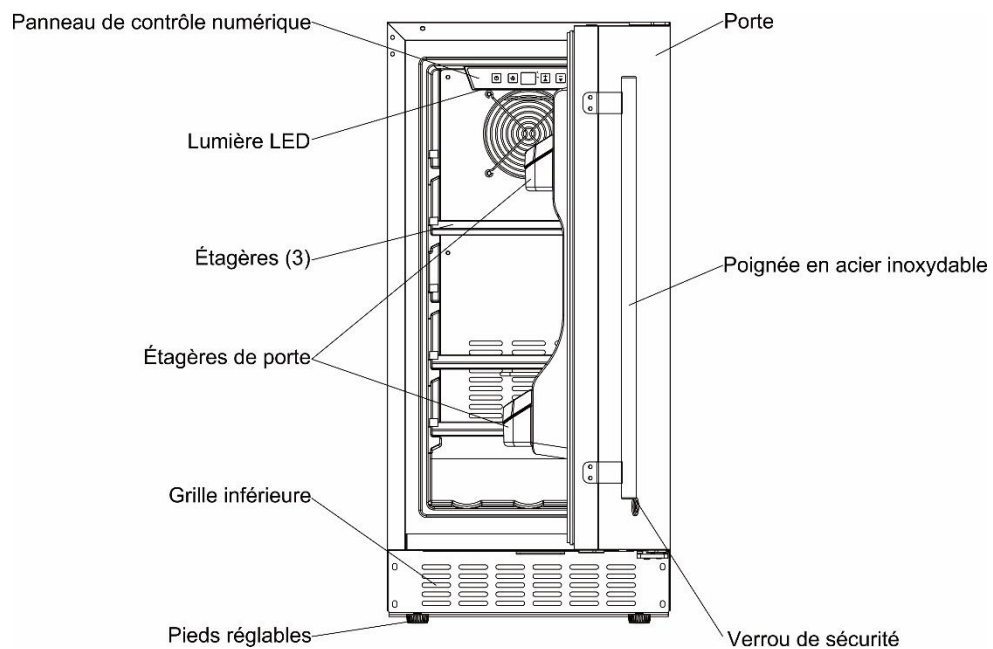


MODÈLES SPR628BCSS / SPR629WCSS - RÉFRIGÉRATEURS SANS GEL

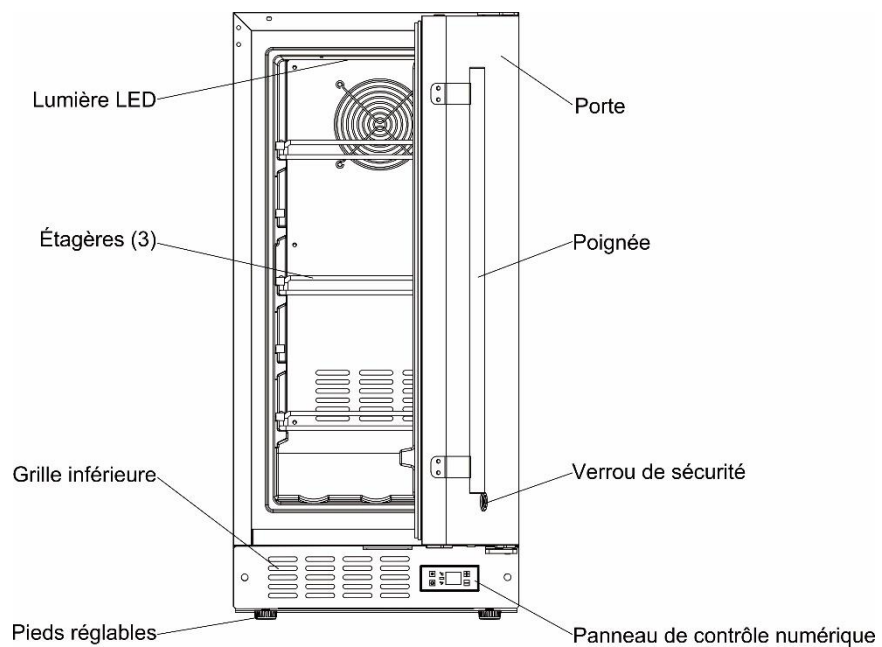


MODÈLE SPR3160S – RÉFRIGÉRATEUR EXTÉRIEUR

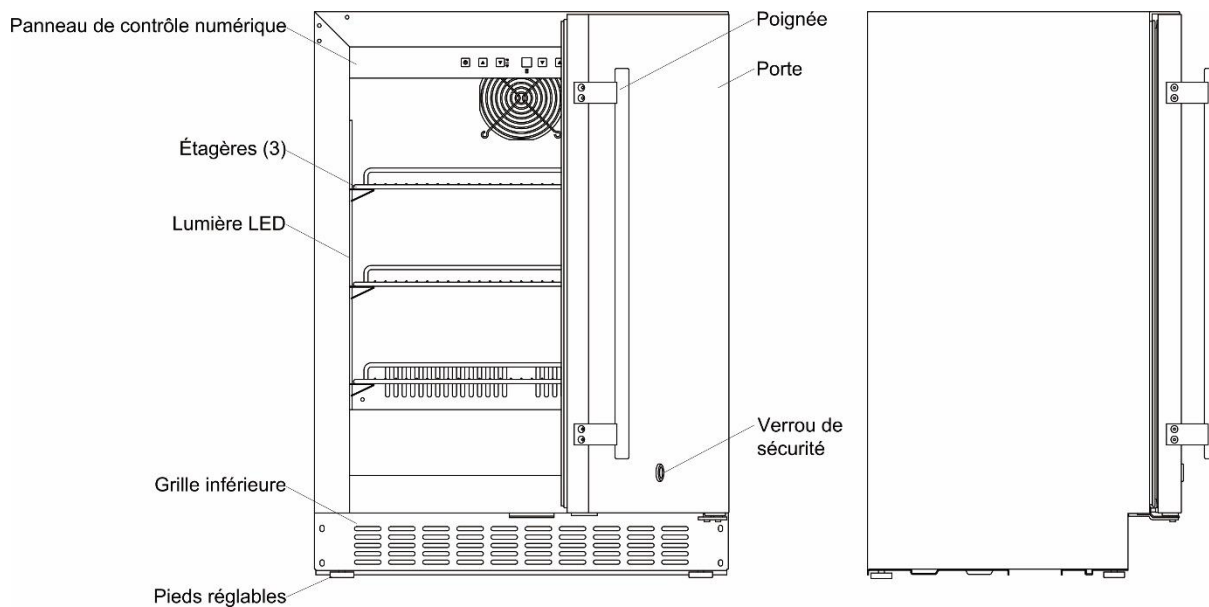
MODÈLE ALR15B / FF1532B / FF1532X / FF1532XCSS – RÉFRIGÉRATEUR SANS GEL



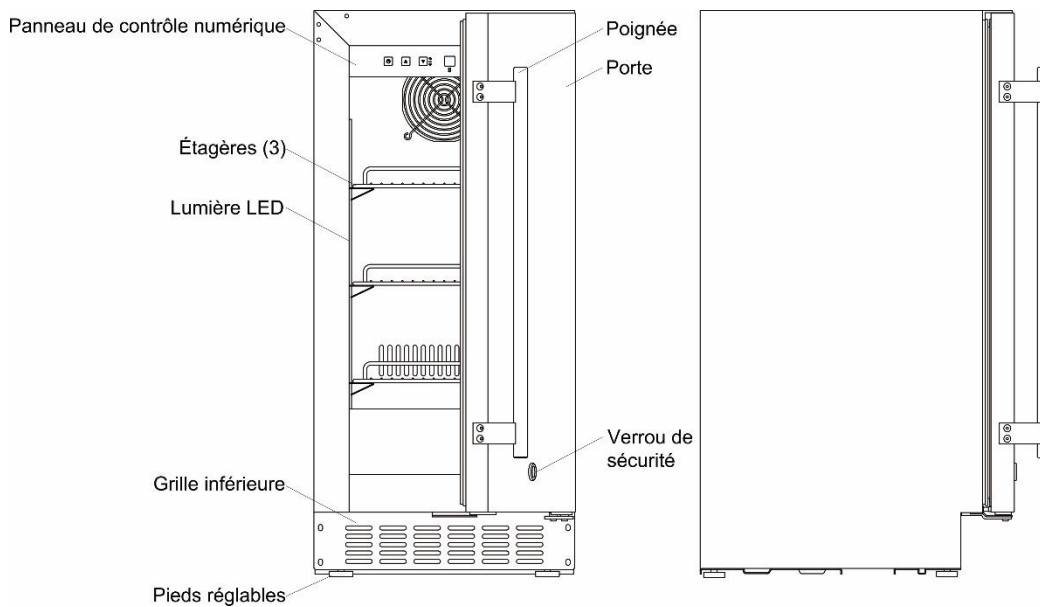
MODÈLE SCFF1533B – CONGÉLATEUR SANS GEL



MODÈLE SPR618OSADA / LASD2418 / SPR618OS / ASDS2413CSS / LASS2432CSS / ADSS2443CSS - RÉFRIGÉRATEUR EXTÉRIEUR
MODÈLE ASDS2413 / LASS2432 / ADSS2443 / SDS2417 / LRS2436 / SDSS2447 - RÉFRIGÉRATEUR SANS GEL



MODÈLE ASDS1523 / LASS1544 / ADSS1553 / SDS1528 / LR1548 / SDSS1557 - RÉFRIGÉRATEUR SANS GEL



NOTE: Les modèles conçus pour une utilisation en extérieur (trouver "OS" en suffixe du numéro de modèle) ont un extérieur renforcé et un câble robuste pour résister aux éléments.

INSTRUCTIONS D'INSTALLATION

AVANT D'UTILISER VOTRE APPAREIL

- Retirez l'emballage extérieur et intérieur.
- Avant de connecter l'appareil à la source d'alimentation, laissez-le reposer pendant environ 2 heures. Cela réduira la possibilité d'un dysfonctionnement du système de refroidissement lié à la manipulation pendant le transport.
- Nettoyez la surface intérieure avec de l'eau tiède à l'aide d'un chiffon doux.
- Installez la poignée sur la porte, si elle n'est pas déjà attachée. (Voir page 30.)

INSTALLATION DE VOTRE APPAREIL

- L'appareil est conçu pour une installation ou encastrée ou autonome pour une utilisation en intérieur des modèles ALR15B, FF1532B, FF1532X, FF1532XCSS, AL54, FF64B, FF64BSS, SCFF1533B, SPR628BCSS, SPR629WCSS, ASDS1523, LASS1544, ADSS1553, SDS1528, LR1548, SDSS1557, ASDS2413, LASS2432, ADSS2443, SDS2417, LRS2436, SDSS2447, SCFF52W, SCFF53B et SCFF53BSS, et pour une utilisation en extérieur pour SPR316OS, SPR627OS, SPR618OSADA, LASD2418, SPR618OS, ASDS2413CSS, LASS2432CSS, ADSS2443CSS et SPFF51OS.
- ATTENTION: Cet appareil n'est pas conçu pour le stockage de médicaments ou d'autres produits médicaux.
- Placez votre appareil sur un sol suffisamment solide pour le supporter lorsqu'il est complètement chargé. Pour mettre l'appareil à niveau, ajustez les pieds de nivellement avant.
- Pour une installation autonome, 5 "(127mm) d'espace entre l'arrière et les côtés de l'unité et 4" (102mm) en haut sont suggérés, ce qui permet une bonne circulation d'air pour refroidir le compresseur et le condenseur. Même pour une installation intégrée, il est indispensable de conserver un espace de ¼ "(6,35 mm) de chaque côté et en haut et de 2" (51 mm) à l'arrière. Veillez à ce que l'évent situé à l'avant de l'appareil ne soit jamais recouvert ou bloqué de quelque manière que ce soit.
- REMARQUE: Il est recommandé de ne pas installer l'appareil à proximité d'un four, d'un radiateur ou d'une autre source de chaleur. La lumière directe du soleil peut affecter le revêtement acrylique et les sources de chaleur peuvent augmenter la consommation électrique. Ne pas installer dans un endroit où la température tombera sous 7 ° C (44 ° F). Pour des performances optimales, n'installez pas l'appareil derrière une porte d'armoire ou ne bloquez pas la grille de la base.
- Évitez de placer l'appareil dans des endroits humides.
- Branchez l'appareil dans une prise murale exclusive et correctement mise à la terre.

CONNEXION ÉLECTRIQUE



AVERTISSEMENT

Une mauvaise utilisation de la prise mise à la terre peut entraîner un risque de choc électrique. Si le cordon d'alimentation est endommagé, faites-le remplacer par un électricien qualifié ou un centre de service agréé.

Cet appareil doit être correctement mis à la terre pour votre sécurité. Le cordon d'alimentation de cet appareil est équipé d'une prise à trois broches qui se raccorde aux prises murales à trois broches standard afin de minimiser les risques de choc électrique.

Ne coupez ou ne retirez en aucun cas la troisième broche (mise à la terre) du cordon d'alimentation fourni. Pour votre sécurité personnelle, cet appareil doit être correctement mis à la terre. Toute question concernant l'alimentation et / ou la mise à la terre doit être adressée à un électricien agréé.

Cet appareil nécessite une prise électrique standard à trois broches avec mise à la terre de 115/120 volts CA ~ 60 Hz. Faites vérifier la prise murale et le circuit par un électricien qualifié pour vous assurer que la prise est correctement mise à la terre. Lorsqu'une prise murale standard à deux broches est rencontrée, il

vous incombe de la remplacer par une prise murale à trois broches correctement mise à la terre.

Pour éviter toute blessure accidentelle, le cordon doit être attaché derrière l'appareil et ne pas être exposé ou suspendu.

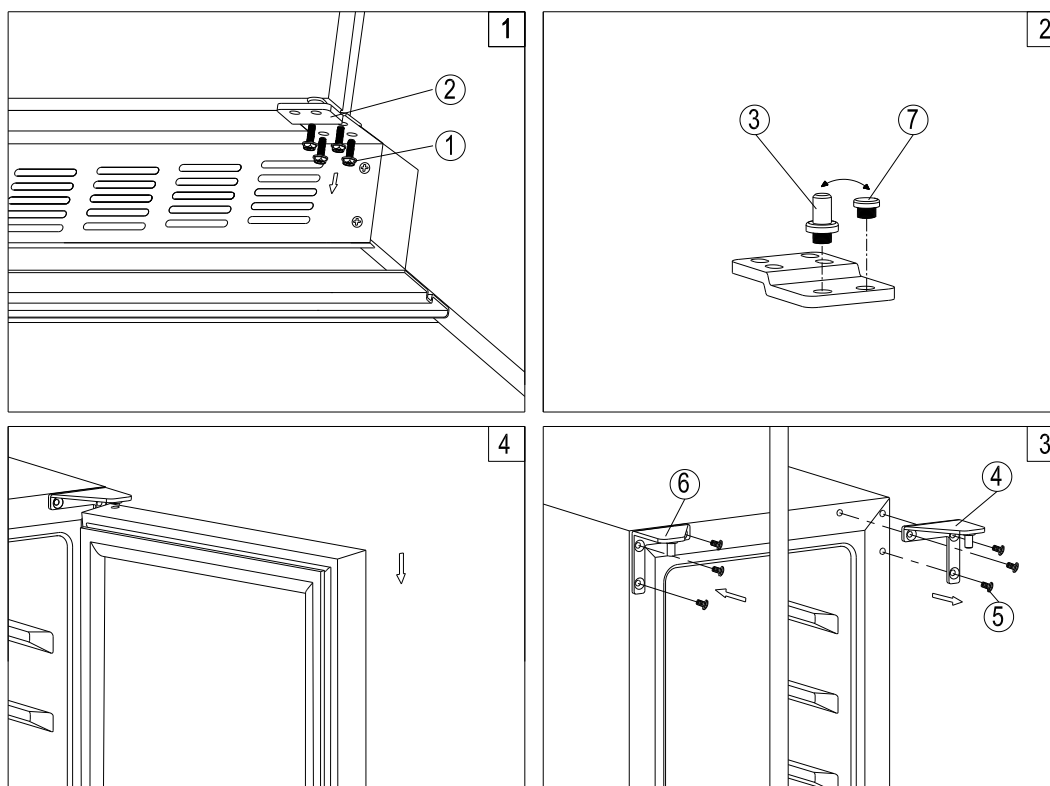
L'appareil doit toujours être branché sur une prise électrique individuelle dont la tension nominale correspond à celle indiquée sur l'appareil. Cela offre les meilleures performances et empêche également la surcharge des circuits de câblage de la maison, ce qui pourrait provoquer un risque de surchauffe. Ne débranchez jamais l'appareil en tirant sur le cordon d'alimentation. Toujours saisir fermement la fiche et la retirer directement du réceptacle. Réparez ou remplacez immédiatement tous les cordons d'alimentation usés ou endommagés. N'utilisez pas de cordon présentant des fissures ou des dommages par abrasion sur toute sa longueur ou à chaque extrémité. Lorsque vous déplacez l'appareil, faites attention à ne pas endommager le cordon d'alimentation.

RALLONGE

En raison de dangers potentiels dans certaines conditions, il est fortement recommandé de ne pas utiliser de rallonge avec cet appareil. Cependant, si vous devez utiliser une rallonge, il est absolument nécessaire que ce soit une rallonge de type mise à la terre à 3 fils homologuée UL / CUL avec une fiche et une prise de terre et que la tension électrique du cordon soit de 115 volts et au moins 10 ampères.

INVERSION DE L'OUVERTURE DE LA PORTE DE VOTRE APPAREIL

Cet appareil a la capacité d'ouvrir la porte du côté gauche ou du côté droit. L'unité vous est livrée avec la porte s'ouvrant du côté gauche. Si vous souhaitez inverser le sens d'ouverture, veuillez suivre les instructions d'inversion indiquées ci-dessous.



NOTE: Toutes les pièces retirées doivent être sauvegardées pour permettre d'inverser la porte.

1. Retirez la charnière inférieure (2) en dévissant les quatre vis de blocage (1). Veillez à tenir la porte fermement après avoir retiré les vis. (Fig. 1)

2. Tirez doucement pour retirer la porte de la charnière supérieure droite et placez-la sur une surface rembourrée pour éviter tout risque de dommage. Retirez ensuite la charnière supérieure droite (4). (Fig. 3 et 4)
3. Dévisser et transférer les broches (3) et (7) de la charnière sur le côté opposé. (Fig. 2)
4. Sortez les capuchons sur le côté gauche du meuble et utilisez-les pour couvrir les trous de vis du côté droit.
5. Visser la charnière supérieure gauche alternative (6), incluse dans les installations, sur le côté gauche de l'armoire. (Fig. 3)
6. Déplacer la porte à la position désignée. Puis visser la charnière inférieure sur la position désignée gauche et la serrer une fois la porte mise à niveau.
7. Retirez la poignée du côté gauche de la porte et installez-la du côté droit. (Voir la section suivante.)

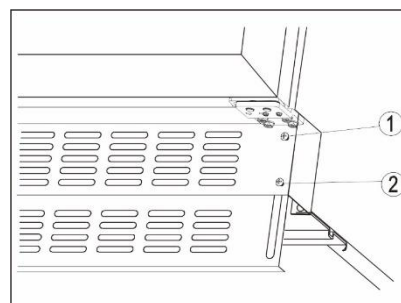
RÉGLAGE DE LA HAUTEUR DE L'UNITÉ

La hauteur des réfrigérateurs ADA peut être augmentée jusqu'à 3" en tournant les pieds réglables. Une fois la hauteur souhaitée atteinte, l'espace entre la plinthe et le sol peut être couvert en abaissant une partie cachée de la plinthe. Voir la section suivante pour les instructions.

RÉGLAGE DE LA PLAQUE DE COUPE

La plinthe prémontée de l'appareil comprend une section de plinthe réglable qui est initialement placée derrière la section supérieure. Pour régler la hauteur de la plinthe, suivez les instructions ci-dessous:

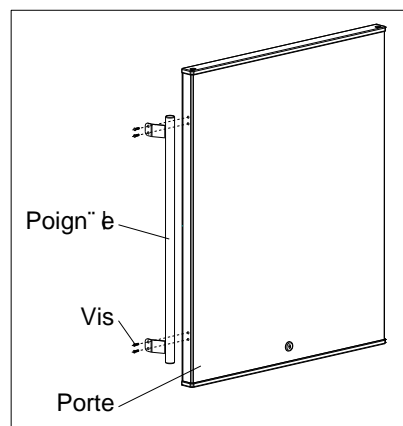
1. Retirez les vis (1) des côtés supérieur gauche et supérieur droit de la plinthe.
2. Desserrez ou retirez les vis (2) des côtés inférieur gauche et inférieur droit de la plinthe. Ne pas desserrer suffisamment les vis inférieures peut endommager la garniture inférieure lors de son réglage.
3. Guidez soigneusement la garniture inférieure vers le bas jusqu'à ce que la hauteur désirée soit atteinte.
4. Réinsérez les vis et serrez-les.



INSTALLATION DE LA POIGNÉE EN ACIER INOXYDABLE

Cet appareil comprend une poignée en acier inoxydable qui n'est pas nécessaire pour faire fonctionner l'appareil. Pour installer la poignée, suivez les instructions ci-dessous:

1. Utilisez un tournevis pour retirer les vis sur le côté de la porte où la poignée doit être installée.
2. Alignez la poignée avec les vis retirées à l'étape 1. Serrez les vis à l'aide d'un tournevis cruciforme jusqu'à ce que la poignée soit à plat et bien fixée contre le côté de la porte. (NE PAS trop serrer car cela endommagerait la surface de la porte en acier inoxydable.)





UTILISATION DE VOTRE APPAREIL

Il est recommandé d'installer l'appareil dans un endroit où la température ambiante se situe entre 44° et 90°F (7° à 32°C). Si la température ambiante est supérieure ou inférieure aux températures recommandées, les performances de l'unité peuvent être affectées. Par exemple, placer votre appareil dans des conditions de froid ou de chaleur extrêmes peut entraîner une fluctuation de la température intérieure. La plage de température de fonctionnement peut ne pas être atteinte.


PANNEAU DE COMMANDE pour RÉFRIGÉRATEURS



Puissance allumée / éteinte (POWER ON/OFF)

Pour allumer l'appareil, touchez le symbole  et maintenez-le enfoncé pendant 5 secondes.
Pour éteindre l'appareil, touchez le symbole  et maintenez-le enfoncé pendant 1 seconde.

LUMIÈRE (LIGHT)

Pour allumer ou éteindre lumière intérieure, touchez le symbole  et maintenez-le enfoncé pendant 5 secondes.

EN HAUT (UP)

Used to increase (warm) the set temperature by 1°C/1°F.

VERS LE BAS (DOWN)

Used to decrease (cool) the set temperature by 1°C/1°F.

Réglage du contrôle de la température

- Vous pouvez régler la température en touchant les symboles **UP** et **DOWN**. Lorsque vous appuyez sur l'un des deux boutons pour la première fois, l'affichage de la LED indique la température d'origine définie précédemment. (La température pré-réglée en usine est de 38 ° F ou 3 ° C.)
- La température que vous définissez augmente d'un degré à chaque fois que vous touchez le symbole **UP** et diminue d'un degré à chaque fois que vous touchez le symbole **DOWN**.
- The range of the temperature control is from 36°F to 43°F.
- Pour afficher la température réglée à tout moment, appuyez sur le symbole **UP** ou **DOWN**. La température réglée clignotera dans la fenêtre d'affichage pendant 5 secondes. Après 5 secondes, la température à l'intérieur de l'appareil réapparaîtra dans la fenêtre d'affichage.

Lumière intérieure

- L'éclairage intérieur facilite la visualisation de vos articles. touchez le symbole LIGHT et maintenez-le enfoncé pendant 5 secondes, vous pouvez basculer entre 2 modes de fonctionnement pour les lumières internes: mode fonctionnel (par défaut) et mode vitrine. Si vous êtes en mode fonctionnel (par défaut), les lumières s'allument uniquement lorsque la porte est ouverte. Si vous êtes en mode vitrine, les lumières s'allumeront, que la porte soit ouverte ou non.

Mode Paramètres

Certains réglages de la cave à vin ne peuvent être sélectionnés qu'en mode réglages.

Sélection °F/°C

- Appuyez légèrement et maintenez enfoncée la touche **HAUT** pendant 5 secondes.
- Utilisez les touches **HAUT** et **BAS** pour sélectionner le réglage d'affichage de la température en degrés Fahrenheit ou Celsius.
- Appuyez sur la touche **POWER** pour confirmer votre sélection.
- Appuyez et maintenez enfoncée la touche **UP** pendant 5 secondes pour quitter le mode réglages. Sinon, l'appareil quitte automatiquement le mode de réglage au bout d'une minute environ.

Luminosité de l'affichage

- Appuyez légèrement et maintenez enfoncée la touche **UP** pendant 5 secondes, puis appuyez une fois sur la touche **POWER**.
- Utilisez les touches **HAUT** et **BAS** pour sélectionner la luminosité de l'écran. Le réglage d'usine par défaut est d1.
 - d1: réglage le plus faible
 - d2: réglage moyen
 - d3: réglage le plus lumineux
- Appuyez sur la touche **POWER** pour confirmer votre sélection.
- Appuyez et maintenez enfoncée la touche **UP** pendant 5 secondes pour quitter le mode réglages. Sinon, l'appareil quitte automatiquement le mode de réglage au bout d'une minute environ.

Luminosité de l'éclairage intérieur

- Appuyez légèrement et maintenez enfoncée la touche **UP** pendant 5 secondes, puis appuyez deux fois sur la touche **POWER**.
- Utilisez les touches **HAUT** et **BAS** pour sélectionner la luminosité de l'éclairage intérieur. Le réglage d'usine par défaut est L3.
 - L1: réglage le plus faible
 - L2: réglage moyen
 - L3: réglage le plus lumineux
- Appuyez sur la touche **POWER** pour confirmer votre sélection.
- Appuyez et maintenez enfoncée la touche **UP** pendant 5 secondes pour quitter le mode réglages. Sinon, l'appareil quitte automatiquement le mode de réglage au bout d'une minute environ.

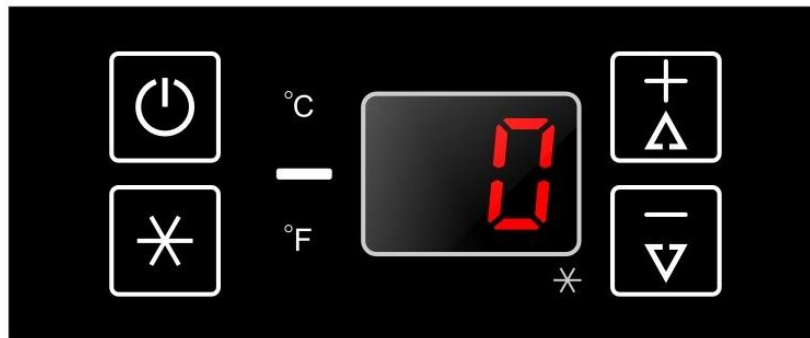
Mode ventilateur

- Appuyez légèrement et maintenez enfoncée la touche **UP** pendant 5 secondes, puis appuyez trois fois sur la touche **POWER**.
- Utilisez les touches **HAUT** et **BAS** pour sélectionner le mode ventilateur. Le réglage d'usine par défaut est F0.
 - F0: Mode silencieux - Mode économie d'énergie
 - F1: Mode DynaClima - mi-temps
 - F2: Mode DynaClima - temps plein
- Appuyez sur la touche **POWER** pour confirmer votre sélection.
- Appuyez et maintenez enfoncée la touche **UP** pendant 5 secondes pour quitter le mode réglages. Sinon, l'appareil quitte automatiquement le mode de réglage au bout d'une minute environ.

Tonalités audibles

- Appuyez légèrement et maintenez enfoncée la touche **UP** pendant 5 secondes, puis appuyez quatre fois sur la touche **POWER**.
- Utilisez les touches **HAUT** et **BAS** pour sélectionner les tonalités audibles. Le réglage d'usine par défaut est S1.
 - S0: tonalité du capteur activée, tonalité d'alarme désactivée
 - S1: tonalité du capteur activée, tonalité d'alarme activée
 - S2: tonalité du capteur désactivée, tonalité d'alarme désactivée
 - S3: tonalité du capteur désactivée, tonalité d'alarme activée
- Appuyez sur la touche **POWER** pour confirmer votre sélection.
- Appuyez et maintenez enfoncée la touche **UP** pendant 5 secondes pour quitter le mode réglages. Sinon, l'appareil quitte automatiquement le mode de réglage au bout d'une minute environ.

PANNEAU DE COMMANDE pour CONGÉLATEURS



Puissance allumée / éteinte (POWER ON /OFF) ⏻

Pour allumer ou éteindre l'appareil, touchez le symbole ⏻ et maintenez-le enfoncé pendant 5 secondes.

REMARQUE: Appuyez une fois sur la touche POWER pour désactiver l'alarme sonore lorsque l'alarme est activée.

SuperFreeze *

SuperFreeze est utilisé pour congeler rapidement les aliments frais. La fonction annule le contrôle du thermostat et fait fonctionner le compresseur en continu. Il n'est pas nécessaire d'ajuster le réglage du thermostat lors de l'utilisation de cette fonction. Lorsque la fonction est sélectionnée, l'indicateur SuperFreeze sera activé. Vous pouvez quitter la fonction en appuyant à nouveau sur la touche et le témoin s'éteindra. SuperFreeze s'éteindra automatiquement après 8 heures.

En haut (UP) †

Utilisé pour augmenter (réchauffer) la température de consigne de 1 ° C / 1°F.

Vers le bas (DOWN) ▾

Utilisé pour diminuer (refroidir) la température réglée de 1 ° C / 1°F.

Sélecteur de °F/°C

Sélectionnez le réglage d'affichage de la température en degrés Fahrenheit ou Celsius. Pour changer la température de Fahrenheit à Celsius ou de Celsius à Fahrenheit, maintenez la touche **SUPERFREEZE** enfoncée pendant 5 secondes.

Réglage du contrôle de la température

- Vous pouvez régler la température en appuyant sur les touches **UP** et **DOWN**. Lorsque vous appuyez sur l'une des deux touches pour la première fois, l'affichage de la LED indique la température d'origine définie précédemment. (La température préréglée en usine est de 0 ° F ou -18 ° C.)
- La température que vous définissez augmentera d'un degré à chaque fois que vous appuyez sur la touche **UP** et diminuera d'un degré chaque fois que vous appuyez sur la touche **DOWN**.
- La plage de réglage de la température est comprise entre -11 ° F et 11 ° F.
- Pour afficher la température réglée à tout moment, appuyez sur la touche **UP** ou **DOWN**. La température réglée clignotera dans la fenêtre d'affichage pendant 5 secondes. Après 5 secondes, la température à l'intérieur de l'appareil réapparaîtra dans la fenêtre d'affichage.

Lumière intérieure

L'unité est équipée d'un éclairage LED intérieur qui s'allume lorsque la porte est ouverte.

REMARQUE:

- Si l'unité est débranchée ou si l'alimentation est coupée ou éteinte, vous devez attendre 3 à 5 minutes avant de redémarrer l'appareil. Si vous essayez de redémarrer avant ce délai, l'appareil ne démarrera pas.
- Lorsque vous utilisez l'appareil pour la première fois ou redémarrez l'appareil après une période d'arrêt prolongée, il peut y avoir quelques différences entre la température sélectionnée et celle indiquée sur l'afficheur. Ceci est normal et est dû à la durée de l'activation. Il ne devrait pas y avoir de problème une fois que l'appareil a fonctionné pendant quelques heures.

MODE SABBAT

Le mode Sabbat est disponible pour le respect de certaines fêtes religieuses. Ce mode désactive les affichages, l'éclairage intérieur et les alarmes sonores et les empêche de se rallumer. Les opérations normales de refroidissement auront toujours lieu.

Pour initier le mode Sabbat, appuyez simultanément sur les touches **POWER** et **LIGHT** pendant au moins 5 secondes pour réfrigérateurs ou appuyez simultanément sur les touches **POWER** et **SUPERFREEZE** pendant au moins 5 secondes pour congélateurs. L'affichage de la température s'éteint et confirme que le mode Sabbat est activé.

Le mode Sabbat peut être quitté en répétant le processus ci-dessus. Le mode Sabbat s'éteint automatiquement après 96 heures.

FONCTION DE MÉMOIRE DE TEMPÉRATURE

- En cas de coupure de courant (surtension, disjoncteur, etc.), l'appareil peut mémoriser les réglages de température précédents et, lorsque le courant est rétabli, la température de l'armoire revient à la même température qu'avant la mise hors tension.

DÉGIVRAGE

- L'unité dégivre automatiquement dans des conditions de fonctionnement normales.
- L'évaporateur situé derrière la paroi arrière de l'appareil dégivre automatiquement. Le condensat s'accumule dans le canal de drainage derrière la paroi arrière de l'unité et traverse le trou de drainage dans le bac d'égouttage près du compresseur où il s'évapore.
- Cependant, le givre peut s'accumuler sur l'évaporateur si l'appareil est ouvert à plusieurs reprises dans un endroit très chaud ou très humide. Si ce motif de gel ne disparaît pas dans les 24 heures, votre appareil nécessitera un dégivrage manuel.

UTILISATION DU CONGÉLATEUR

- Ces congélateurs sont conçus pour le stockage à long terme des aliments surgelés. La durée de stockage est de trois mois.
- La durée de conservation des aliments congelés varie et la durée de conservation recommandée ne doit pas être dépassée.
- Les aliments pré-emballés congelés dans le commerce doivent être entreposés conformément aux instructions du fabricant des aliments congelés pour un compartiment de stockage des aliments congelés trois étoiles ou un congélateur à la maison.
- Placez les aliments congelés dans le congélateur le plus rapidement possible après l'achat. S'il y a des instructions sur le paquet, suivez attentivement ces instructions concernant les durées de stockage.

ALARME DE TEMPÉRATURE / ALARME DE PORTE

- Une alarme sonore retentit si la température de stockage n'est pas suffisamment froide. L'affichage de la température clignote en même temps.
- La cause de la température étant trop élevée peut être la suivante:
 - Des aliments frais et chauds ont été placés à l'intérieur
 - Il y avait trop d'air chaud dans le réarrangement et le retrait des aliments
 - Panne de courant pendant un certain temps
 - L'appareil est défectueux
- L'alarme sonore est automatiquement désactivée et l'affichage de la température cesse de clignoter lorsque la température est suffisamment froide.
- Si la porte est restée ouverte pendant plus de 60 secondes, l'alarme retentit. Appuyez une fois sur la touche **POWER** pour désactiver l'alarme sonore.

VERROU

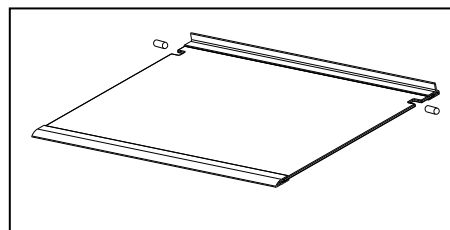
Votre appareil est fourni avec une combinaison de serrure et de clé.

Les clés sont situées à l'intérieur du sac en plastique contenant le manuel d'instructions. Insérez la clé dans la serrure et tournez-la dans le sens contraire des aiguilles d'une montre pour déverrouiller la porte. Pour verrouiller la porte, effectuez l'opération inverse en vous assurant que la goupille métallique est complètement engagée. Retirez la clé et rangez-la dans un endroit sûr pour la garde.

ÉTAGÈRES

Pour éviter d'endommager le joint de la porte, assurez-vous d'avoir la porte complètement ouverte lorsque vous retirez les étagères du compartiment à rail.

- Toutes les étagères peuvent être enlevées pour stocker des articles plus grands.
- Lorsque vous retirez l'étagère du compartiment à rail, assurez-vous de retirer tous les éléments en premier. Ensuite, déplacez l'étagère dans la position où l'encoche de l'étagère est exactement sous le poteau en plastique et soulevez l'étagère. Pour remplacer l'étagère, répétez les étapes décrites ci-dessus en sens inverse.



SOIN ET ENTRETIEN

NETTOYAGE DE VOTRE APPAREIL

- Éteignez l'appareil, débranchez l'appareil et retirez tous les éléments, y compris les étagères.
- Laver les surfaces intérieures avec une solution d'eau tiède et de bicarbonate de soude (environ 2 cuillères à soupe de bicarbonate de soude dans un litre d'eau).
- Laver les étagères avec une solution détergente douce.
- Essorez l'excès d'eau de l'éponge ou du chiffon lorsque vous nettoyez la zone où se trouvent les commandes ou toute pièce électrique.
- Laver le meuble extérieur avec de l'eau tiède et un détergent liquide doux. Bien rincer et essuyer avec un chiffon doux et propre.
- Utilisez un nettoyeur pour acier inoxydable approuvé pour nettoyer la porte et la poignée. Ne pas utiliser de laine d'acier ou une brosse en acier sur l'acier inoxydable.

MISE EN GARDE:

Si vous ne débranchez pas l'appareil pendant le nettoyage, vous risquez de vous électrocuter ou de vous blesser.

PANNE ÉLECTRIQUE

La plupart des pannes de courant sont corrigées en quelques heures et ne devraient pas affecter la température de votre appareil si vous réduisez au minimum le nombre de fois que la porte est ouverte. Si l'alimentation s'éteint plus longtemps, vous devez prendre les mesures appropriées pour protéger le contenu.

VACANCES

- **Vacances de courte durée:** Laissez l'appareil fonctionner pendant les vacances de moins de trois semaines.
- **Vacances longues:** Si l'appareil ne sera pas utilisé pendant plusieurs mois, retirez tous les articles et éteignez l'appareil. Nettoyez et séchez soigneusement l'intérieur. Pour éviter la formation d'odeurs et de moisissures, laissez la porte légèrement ouverte en la bloquant si nécessaire.

DÉPLACER VOTRE APPAREIL

1. Supprimer tous les articles.
2. Fixez soigneusement tous les articles (étagères) à l'intérieur de votre appareil.
3. Tournez les jambes réglables jusqu'à la base pour éviter les dommages.
4. Scotchez la porte fermée.
5. Assurez-vous que l'appareil reste bien en position verticale pendant le transport. Protégez également l'extérieur de l'appareil avec une couverture ou un objet similaire.

CONSEILS D'ÉCONOMIE D'ÉNERGIE

- L'appareil doit être situé dans la zone la plus fraîche de la pièce ou à l'extérieur, loin des appareils produisant de la chaleur et des rayons directs du soleil.
- Assurez-vous que l'appareil est correctement ventilé. Ne jamais couvrir les événements.
- Ne laissez pas la porte ouverte plus longtemps que nécessaire.
- Laissez les aliments chauds refroidir à température ambiante avant de les placer dans l'appareil. Surcharger l'unité oblige le compresseur à fonctionner plus longtemps.
- Assurez-vous de bien emballer les aliments et essuyez les contenants avant de les placer dans l'appareil. Cela réduit l'accumulation de givre à l'intérieur de l'unité.
- Les étagères et les bacs de rangement ne devraient pas être recouverts de papier d'aluminium, de papier ciré ou de papier essuie-tout. Les liners interfèrent avec la circulation d'air froid, rendant l'unité moins efficace.
- Organiser et étiqueter les aliments pour réduire les ouvertures de porte et les recherches prolongées. Retirez autant d'articles que nécessaire à la fois et fermez la porte dès que possible.

DÉPANNAGE

Vous pouvez facilement résoudre de nombreux problèmes courants, ce qui vous permet d'économiser le coût d'un appel de service éventuel. Essayez les suggestions ci-dessous pour voir si vous pouvez résoudre le problème avant d'appeler l'agent de service.

PROBLÈME	CAUSE POSSIBLE	REMÈDE
L'appareil ne fonctionne pas.	<ul style="list-style-type: none"> L'appareil n'est pas connecté à un bloc d'alimentation. L'appareil est éteint. Disjoncteur déclenché ou un fusible grillé. 	<ul style="list-style-type: none"> Connecter l'appareil. Allumez l'appareil. Allumer le disjoncteur ou remplacer le fusible.
L'appareil n'est pas assez froid.	<ul style="list-style-type: none"> La température n'est pas réglée correctement. La température ambiante peut nécessiter un réglage de température plus bas. La porte était ouverte trop souvent. La porte n'était pas complètement fermée. La porte n'est pas hermétiquement fermée. Le condenseur est trop sale. L'ouverture de ventilation est bloquée ou trop poussiéreuse. 	<ul style="list-style-type: none"> Vérifiez la température réglée. Régler une température plus basse. N'ouvrez pas la porte plus souvent que nécessaire. Fermez la porte correctement. Vérifiez le joint de la porte et nettoyez ou remplacez. Nettoyez le condenseur si nécessaire. Dégagez les obstacles et nettoyez la poussière.
L'appareil s'allume et s'éteint fréquemment.	<ul style="list-style-type: none"> La température ambiante est supérieure à la moyenne. Une grande quantité de nourriture a été ajoutée à l'unité. La porte est ouverte trop souvent. La porte n'est pas complètement fermée. Le joint de la porte ne scelle pas correctement. 	<ul style="list-style-type: none"> Placez l'appareil dans un endroit plus frais. Laissez l'appareil fonctionner pendant un certain temps jusqu'à ce que la température réglée soit atteinte. N'ouvrez pas la porte plus souvent que nécessaire. Fermez la porte correctement. Vérifiez le joint de la porte et nettoyez ou remplacez.
La lumière ne fonctionne pas.	<ul style="list-style-type: none"> L'appareil n'est pas connecté à un bloc d'alimentation. Disjoncteur déclenché ou un fusible grillé. La lumière a été éteinte sur le panneau de commande. 	<ul style="list-style-type: none"> Branchez l'appareil. Allumez le disjoncteur ou remplacez le fusible. Allumer la lumière.
Vibrations	<ul style="list-style-type: none"> L'appareil n'est pas correctement nivelé. 	<ul style="list-style-type: none"> Mettez l'appareil à niveau avec les pieds réglables.
L'appareil semble faire trop de bruit.	<p>Le bruit de cliquetis peut provenir du flux de réfrigérant, ce qui est normal. À la fin de chaque cycle, il est possible que vous entendiez un gargouillis causé par le flux de réfrigérant dans votre appareil.</p> <p>En cas de variations de température, la contraction et l'expansion des parois internes peuvent provoquer des bruits de claquement.</p>	
	<ul style="list-style-type: none"> L'appareil n'est pas correctement nivelé. 	<ul style="list-style-type: none"> Mettez l'appareil à niveau avec les pieds réglables.

La porte ne se ferme pas correctement.	<ul style="list-style-type: none"> • L'appareil n'est pas correctement nivelé. • La porte était inversée et mal installée. • Le joint est sale. • Les étagères sont hors de position. 	<ul style="list-style-type: none"> • Mettez l'appareil à niveau avec les pieds réglables. • Vérifiez la charnière de la porte et remontez correctement. • Nettoyez le joint de la porte. • Vérifiez les étagères et remontez correctement.
Affiche «E0», «E1», «E2», «E3», «E4», «E5» ou «E7».	<ul style="list-style-type: none"> • «E0» indique une erreur de communication pour les modèles à 3 zones. • «E1» or «E2» indique que le capteur de température de l'air a échoué. • «E3» or «E4» indique que le capteur de dégivrage de l'évaporateur est défaillant. • «E5» indique une panne de chauffage de dégivrage. • «E7» indique une défaillance de l'interrupteur de porte. 	<ul style="list-style-type: none"> • Faites un appel de service.
L'alarme retentit et l'affichage de la température clignote.	<p>La porte de l'appareil est-elle ouverte depuis plus de 60 secondes? Sinon, la température a augmenté ou est inférieure à la température réglée. Cela pourrait être dû à:</p> <ul style="list-style-type: none"> • La porte de l'appareil étant ouverte trop souvent. • L'ouverture de ventilation étant couverte ou trop poussiéreuse. • Une longue interruption de l'alimentation. • Une grande quantité de nourriture a été ajoutée à l'unité. 	<p>Si oui, fermez la porte.</p> <ul style="list-style-type: none"> • N'ouvrez pas la porte plus souvent que nécessaire. • Dégagez les obstructions et nettoyez la poussière. • Laissez l'appareil fonctionner pendant un certain temps jusqu'à ce que la température réglée soit atteinte.
L'icône « - » est allumée et clignote dans l'affichage de la température.	<ul style="list-style-type: none"> • La température d'affichage est hors de portée. 	<ul style="list-style-type: none"> • Seules les températures dans la plage 0 ~ 99 ° F / -9 ~ 37 ° C pour réfrigérateurs et la plage -49 ~ 99 ° F / -45 ~ 37 ° C pour congélateurs peut être affiché. Si la température n'est pas dans cette plage, l'icône « - » sera affichée à la place. C'est normal.

Si vous avez vérifié le tableau ci-dessus et constaté que vous avez encore besoin d'aide avec votre appareil, appelez notre service clientèle au **800-932-4267** entre 9h00 et 17h00 HE. Nous ferons de notre mieux pour répondre à vos questions.

NOTES

DIVULGATION DE CARB / SNAP DE CALIFORNIE

Ce produit utilise un réfrigérant hydrocarboné respectueux de l'environnement et est entièrement conforme aux réglementations California CARB.

Cependant, la loi californienne nous oblige à fournir la déclaration de divulgation suivante dans chaque produit vendu en Californie.

"L'utilisation de cet équipement est interdite en Californie avec des réfrigérants figurant sur la 'Liste des substances interdites' pour cette utilisation finale spécifique, conformément au California Code of Regulations, titre 17, section 95374. Cette déclaration de divulgation a été revue et approuvée par Felix Storch, Inc. et Felix Storch, Inc. attestent, sous peine de parjure, que ces déclarations sont vraies et exactes."

Ce produit n'utilise aucun fluide frigorigène de la "Liste des substances interdites"

GARANTIE LIMITÉE

UN AN DE GARANTIE LIMITÉE

Dans les 48 États américains contigus, pendant un an à partir de la date d'achat, lorsque cet appareil est utilisé et entretenu conformément aux instructions jointes à, ou fournies avec le produit, le garant paiera pour les pièces spécifiées en usine et pour la main-d'œuvre pour corriger les vices de matériaux ou de fabrication. Le service doit être fourni par une compagnie de service désignée. En dehors des 48 États, toutes les pièces sont garanties pendant un an pour les défauts de fabrication. Les pièces en plastique, étagères et armoires sont garanties être fabriqués conformément aux normes acceptées dans le commerce et ne sont pas couvertes contre les dommages ou le bris pendant la manipulation.

GARANTIE DU COMPRESSEUR DE 5 ANS

1. Le compresseur est couvert par la garantie pendant 5 ans.
2. Le remplacement n'inclut pas la main-d'œuvre.

LE GARANT NE SERA PAS TENU DE PAYER POUR CES POINTS :

1. Les appels de service pour rectifier l'installation de votre appareil, pour vous indiquer comment utiliser votre appareil, remplacer ou réparer des fusibles ou rectifier le câblage ou la plomberie.
2. Les appels de service pour réparer ou remplacer des ampoules ou des étagères cassées. Les pièces à usure (telles que des filtres) sont exclues de la couverture de la garantie.
3. Les dommages résultant d'un accident, modification, usage impropre ou abusif, incendie, inondation, actes de Dieu, mauvaise installation, une installation non conforme aux codes d'électricité ou de plomberie, ou l'utilisation de produits non approuvés par le garant.
4. Les pièces de rechange ou les frais de réparation pour les appareils utilisés hors des États-Unis.
5. Les réparations aux pièces ou systèmes résultant de modifications non autorisées apportées à l'appareil.
6. Le retrait et la réinstallation de votre appareil s'il est installé dans un endroit inaccessible ou n'est pas installé conformément aux instructions d'installation.

EXCLUSION DE GARANTIES IMPLICITES; LIMITATION DES RECOURS

LE SEUL ET UNIQUE RECOURS DU CLIENT EN VERTU DE CETTE GARANTIE LIMITÉE EST LA RÉPARATION DU PRODUIT TEL QUE PRÉCÉDEMMENT DÉCRIT. GARANTIE IMPLICITE, Y COMPRIS LES GARANTIES DE QUALITÉ MARCHANDE OU D'ADÉQUATION À UN USAGE PARTICULIER, SONT LIMITÉES À UN AN. LE GARANT NE SERA PAS RESPONSABLE DES DOMMAGES DIRECTS OU INDIRECTS. CERTAINS ÉTATS NE PERMETTENT PAS L'EXCLUSION OU LA LIMITATION DES DOMMAGES DIRECTS OU INDIRECTS, OU LA LIMITATION DE LA DURÉE DES GARANTIES DE QUALITÉ MARCHANDE OU D'ADAPTATION, DE SORTE QUE CES EXCLUSIONS OU LIMITATIONS PEUVENT NE PAS S'APPLIQUER À VOUS. CETTE GARANTIE VOUS DONNE DES DROITS SPÉCIFIQUES ET VOUS POUVEZ AUSSI AVOIR D'AUTRES DROITS POUVANT VARIER D'UN ÉTAT À L'AUTRE.



AVERTISSEMENT : Ce produit peut vous exposer à des produits chimiques, y compris le nickel (métallisé), qui est connu de l'État de Californie pour causer le cancer.

Pour plus d'informations, visitez le site www.P65Warnings.ca.gov

Remarque : Le nickel est un composant de tout acier inoxydable et d'autres compositions métalliques.

FELIX STORCH, INC.
770 Garrison Avenue
Bronx, NY 10474
Téléphone: (718) 893-3900
Télécopieur: (844) 478-8799
www.summitappliance.com

SUMMIT
D O M E S T I C A P P L I A N C E S

Pour les pièces et la commande de des accessoires, le dépannage et des conseils de service, visitez le site:
www.summitappliance.com/support