



DISHWASHER



Models:

DW242WADA	LDW24WA	DW242W	ADADW24W
DW243BADA	LDW24BA	DW243B	ADADW24B
DW245NTADA	LDW24NTA	DW245NT	ADADW24NT

User Manual

BEFORE USE, PLEASE READ AND FOLLOW ALL SAFETY RULES AND OPERATING INSTRUCTIONS

Write Model & Serial Nos. here:

Model No. _____

Serial No. _____

Felix Storch, Inc.
 An ISO 9001:2015 registered company
 770 Garrison Avenue
 Bronx, NY 10474
www.summitappliance.com






TABLE OF CONTENTS

Important Safety Instructions	4-6
Installation	7
Technical Information	8
Before Using your Appliance	9-14
<i>Preparing your Dishwasher for First Use</i>	9
<i>Setting the Water Softener</i>	9-10
<i>Filling the Salt Dispenser</i>	11
<i>Detergemnt Usage</i>	12
<i>Filling the Detergent</i>	12-13
<i>Using Combined Detergents</i>	13
<i>Water Temperature</i>	13-14
<i>Dilling the Rinse-Aid and Setting</i>	14
Loading your Dishwasher	15-20
<i>Upper Rack</i>	16
<i>Lower Rack</i>	16-17
<i>Incorrect Loads</i>	17
<i>Adjustable Top Rack</i>	18
<i>Height Setting</i>	19-20
<i>Lower Rack Folding Arms</i>	20
<i>Silverware Basket</i>	20
Programs and Options Table	21
Operating your Appliance	22-26
<i>Control Panel</i>	22
<i>Keys</i>	22
<i>Preparing the Machine</i>	23
<i>Program Selection</i>	23
<i>Auxiliary Functions</i>	23-24
<i>Programming the Wash Time</i>	24-25
<i>Starting the Program</i>	25
<i>Cancelling the Program</i>	25
<i>Salt Indicator</i>	25
<i>Rinse-Aid Indicator</i>	25
<i>End of Program</i>	25
<i>Water Cut-off Warning</i>	26
<i>Overflow Warning</i>	26
Maintenance and Cleaning	26-27
<i>Filters</i>	26
<i>Spray Arms</i>	27
<i>Cleaning the Impellers</i>	27
What Should Not be Washed	28
Troubleshooting	29-30
Automatic Fault Warnings	31
Limited Warranty	32

Thank you for choosing this product.


This User Manual contains important information on safety and instructions intended to assist you in the operation and maintenance of your appliance.


Please take the time to read this User Manual before using your appliance and keep this book for future reference.


Icon	Type	Meaning
	WARNING	Serious injury or death risk
	RISK OF ELECTRIC SHOCK	Dangerous voltage risk
	FIRE	Warning; Risk of fire / flammable materials
	CAUTION	Injury or property damage risk
	IMPORTANT / NOTE	Operating the system correctly

INTRODUCTION


- Please read this user manual, particularly the safety instructions completely and carefully. They will save you time and effort and help to ensure optimum dishwasher performance.
- Be sure to observe all listed warnings and cautions. Look for the icons with exclamation marks inside. The information icon will also provide important references.

 **WARNING:** Indicates a potentially hazardous situation which, if not avoided, could result in death or serious injury.

 **CAUTION:** Indicates a potentially hazardous situation which, if not avoided, may result in injury. It may also be used to alert against unsafe practices.

 **NOTICE:** Indicates a potentially hazardous situation which, if not avoided, may result in damage to the dishwasher, the tableware, the equipment or the environment.

IMPORTANT SAFETY INSTRUCTIONS


 **WARNING:** When using the dishwasher, follow basic precautions. Read all instructions before using the dishwasher! Save these operating instructions and pass them on to any future user.

- Use the dishwasher only for its intended purpose as described in this user manual. This appliance is intended for normal household use only. Do not change the specification of the appliance. **The manufacturer disclaims responsibility for damage or injury caused by improper use of this appliance.**
- The information in this user manual must be followed to minimize the risk of fire or explosion and to prevent property damage, personal injury or loss of life
- Use only detergents or wetting agents recommended for use in a dishwasher and keep them out of the reach of children.
- When loading items to be washed:
 1. Locate sharp items so that they are not likely to damage the door seal, and
 2. Load sharp knives with the handles up to reduce the risk of injuries.
- Do not wash plastic items unless they are marked
- “dishwasher safe” or the equivalent. For plastic items not so marked, check the manufacturer’s recommendations.
- Do not touch the HEATING ELEMENT during or immediately after use.
- Do not operate your dishwasher unless all ENCLOSURE panels are properly in place.
- Do not tamper with controls.
- Do not abuse, sit on, or stand on the door or dish rack of the dishwasher.
- The cup racks are designed to support cups, glasses and kitchen utensils. When the cup racks are in the dishwasher, do not lean on or use the cup racks to support your body weight.
- This appliance must be grounded. In the event of a malfunction or breakdown, grounding will reduce the risk of electric shock by providing a path of least resistance for the electric current. This appliance is equipped with a cord having an equipment-grounding conductor and a grounding plug. The plug must be plugged into an appropriate outlet that is installed and grounded in accordance with all local codes and ordinances.

 **WARNING:**

Improper connection of the equipment-grounding conductor can result in a risk of electric shock. Check with a qualified electrician or service representative if you are in doubt whether the appliance is properly grounded. Do not modify the plug provided with the appliance. If it will not fit the outlet, have a proper outlet installed by a qualified electrician.

- Some dishwasher detergents are high in alkaline. They can be extremely dangerous if swallowed. Avoid contact with the skin and eyes and keep children and infirm persons away from the dishwasher when the door is open.
- Consult a doctor immediately if detergent has been swallowed or inhaled.
- Do not remove the dishes from the appliance until the program is complete. Some detergent may remain on the dishes.
- Check that the detergent dispenser is empty after the completion of each wash program.
- Do not drink and play with the water in the appliance; harmful residues could be present.
- To reduce the risk of injury, do not allow children to play in or on the dishwasher.
- When children become old enough to operate the appliance, it is the responsibility of the parents/legal guardians to ensure the children are instructed in safe use practices.
- Do not leave the appliance with the open door unattended to avoid stepping accidentally onto it.

 **WARNING:** Before any maintenance is performed, deactivate the appliance and disconnect the main power plug from the socket.

- Do not use high pressure water sprays and/or steam to clean the appliance.
- Ensure that there are no visible water leaks during and after the first use of the appliance.
- To avoid floor damage and possible mold growth, do not allow wet areas to remain around or under the dishwasher.
- To avoid dishwasher damage, do not allow water to remain in your dishwasher systems through extended periods of freezing.

RISK OF INJURY: To avoid risk of injury, always use caution when opening the door during or following a wash cycle as hot water or steam may escape.

- Do not store or use flammable liquids or vapors on, near, or in the area of the appliance.
- Under certain conditions, hydrogen gas may be produced in a hot-water system that has not been used for two weeks or more. **HYDROGEN GAS IS EXPLOSIVE.** If the hot-water system has not been used for such a period, before using the dishwasher turn on all hot-water faucets and let the water flow from each for several minutes. This will release any accumulated hydrogen gas. As the gas is flammable, do not smoke or use an open flame during this time.
- Please check the water supply line periodically. It is susceptible to breakage. It becomes less flexible as time goes by. Replace it immediately when it is torn, cut, swollen or there is water leakage.

RECYCLING

Remove the door to the washing compartment when removing an old dishwasher from service or discarding it. Ensure that the appliance presents no danger to children while being stored for disposal. Before disposing the dishwasher:

- Disconnect the appliance from the main power supply.
- Cut off the mains cable and discard it.
- Remove the door catch to prevent children and pets from being closed in the appliance

Old appliances may contain materials that cannot be recycled. Please contact your local recycling authority about the possibility of recycling these materials.

Please check the water supply line periodically. It is susceptible to breakage. It becomes less flexible as time goes by. Replace it immediately when it is torn, cut, swollen or there is water leakage.

Please keep the dishwasher package out of the reach of children after unpacking it.

WARNING!:


Risk of injury or suffocation! Ensure that any plastic wrappings, bags, small pieces etc. are disposed of safely and kept out of the reach of children.

SAVE THESE INSTRUCTIONS

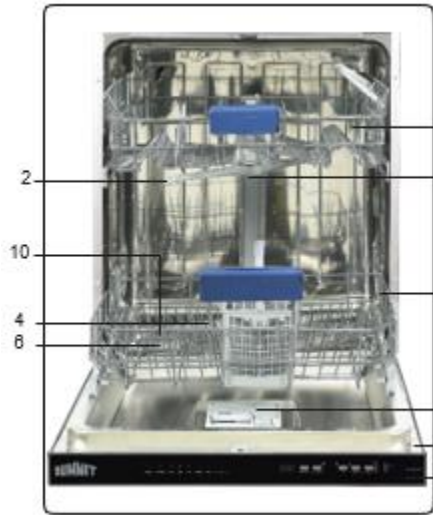
INSTALLATION

WARNING: When installing the dishwasher, follow basic precautions, please check the standards and local codes for placement of machine.

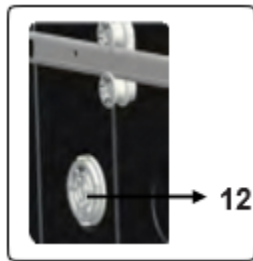
- Installation, maintenance and repair should be performed by a qualified installer. Work by unqualified persons could be dangerous and may void the warranty.
- Do not operate the appliance if damaged, malfunctioning, partially disassembled or if it has missing or broken parts.
- Before installation or service, disconnect the power supply to the work area by unplugging the unit, “tripping” the circuit breaker or removing the fuse.
- Only connect the dishwasher to the power supply when all installation and plumbing work is complete.
- Never connect the ground wire to gas lines, hot water pipes, or plumbing lines.
- Do not install or store the dishwasher where it can be exposed to below freezing temperatures or exposed to weather.
- Dishwasher must be secured to adjacent cabinetry using the brackets provided. Failure to do this may cause damage to property or bodily injury.
- Connect to a properly rated, protected and sized power supply circuit to avoid electrical overload. The dishwasher is designed for an electrical supply of 120 V (volts), 60 Hz (hertz), AC, connected to a dishwasher-dedicated, properly grounded electrical circuit with a fuse or breakers rated for 15 amperes. Electrical supply conductors shall be a minimum of # 16 AWG copper wire rated at 75 °C (167 °F) or higher. These requirements must be met to prevent injury and machine damage. Consult a qualified electrician if in doubt.
- Do not use any extension cord or portable outlet device to connect the dishwasher to a power supply.

 **WARNING:** Danger of suffocation! Ensure that any plastic wrap-pings, bags, small pieces etc. are disposed of safely and kept out of the reach of children.

TECHNICAL INFORMATION



1. Upper basket with racks
2. Upper spray arm
3. Lower basket
4. Lower spray arm
5. Top nozzle(Model Depending)
6. Filters
7. Rating plate
8. Control panel
9. Detergent and rinse-aid dispenser
10. Salt dispenser(Model Depending)
11. Upper basket track latch
12. Drying Unit: This system provides better drying performance for your dishes.




Permissible water pressure	43.5-145psi (0.3 - 10 bars)
Electrical connection	120 V (volts), 12 A (amps), 60Hz (hertz)
Total power	1400 (W)
Heater power	1100 (W)


NOTICE: Because we continually strive to improve our products, we may change our specifications and design without prior notice. This device corresponds to the following directives: UL 749 Household Dishwasher directive.


BEFORE USING YOUR APPLAANCE

Preparing Your Dishwasher for the First Use

- Make sure the electricity and supply water specifications match the values indicated in the installation instructions for the machine.
- Open the door of the dishwasher.
- Remove all packaging material inside the machine.
- Set the water softener level. (See chapter of setting the water, model depending).
- Set the rinse aid dosage (See chapter of filling the rinse-aid and setting).
- Fill the salt container (see chapter of filling the dishwasher salt dispenser, model depending).
- Fill the rinse aid compartment. (See chapter of filling the rinse aid and setting).
- Place the dishes in accordance with the instructions in the user manual.
- Put adequate amount of detergent into the detergent dispenser. (See chapter of filling the detergent).
- Make sure that the upper and lower impellers rotate freely.
- Select program according to amount of dirt (See chapter of Program table).
- Close the door of the dishwasher. (Push the baskets in. Then lift the door upwards and push until it clicks into position).


 **CAUTION:** To prevent injuries, ensure that your hand is not jammed or crushed between the door and appliance

 **WARNING:** While the appliance is running, if you open the door, all functions are automatically interrupted

 **CAUTION:** There may be escape of hot steam when you open the door of your machine. Be careful of getting injured.

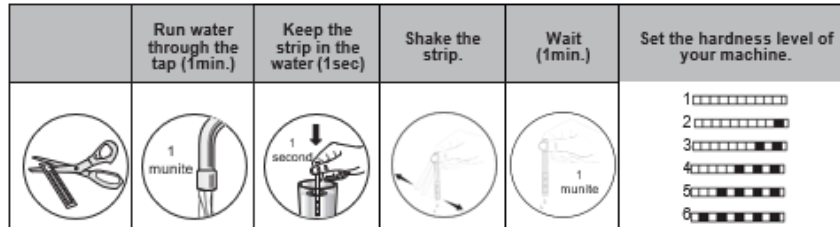
Setting the Water Softener (Model Depending)

- The dishwasher needs soft water for good cleaning results. Hard water results in a build-up of calcium deposits on dishware and in the dishwasher. Your dishwasher has a special water softening system to remove the hardness of the tap water. Setting this system correctly will increase the washing effectiveness.
- Water supplies with a hardness level higher than 9 °f (French Water Hardness) needs to be softened.
- If the hardness level of the water that you use is above 9 °f (French standard for water hardness) or if you are using well water, than it is recommended to use a filter and water purification devices.
- The dishwasher is programmed at the factory setting level 1 (inactive) of water hardness. If this setting corresponds to the hardness of your water, you do not need to do anything more.
- The dishwasher must be programmed for the water hardness in your area.
- To find out the hardness level of water in your area, contact your local Water Board or Determine water hardness level by the help of test strip provided.

 **WARNING:** If you move to a different location, the level of water hardness will possibly be different. It is essential to setting again the water hardness in order to obtain optimum washing efficiency.

Test Strip (For Models With Water Softener)

The washing effectiveness of your machine depends on the softness of the tap water. For this reason, your machine is equipped with a system that reduces the hardness in the main water supply. The washing effectiveness will increase when the system is correctly set. To find out the water hardness level of water in your area, contact your local water board or determine water hardness level by using the test strip (if available). Follow the steps in the image when use the test strip.



⚠ WARNING: If the water is well water or has a hardness level above 9 °f, we recommend that you use filter and refinement devices.

Water Hardness Table

Level	German °dH	French °f	British °E	Indicator
1	0-5	0-9	0-6	L1 is shown on the display.
2	6-11	10-20	7-14	L2 is shown on the display.
3	12-17	21-30	15-21	L3 is shown on the display.
4	18-22	31-40	22-28	L4 is shown on the display.
5	23-31	41-55	29-39	L5 is shown on the display.
6	35-50	56-90	40-63	L6 is shown on the display.

Adjust the water hardness setting of your machine according to the level specified on the test strip (if available).

🔊 NOTE: Hardness level is adjusted to level 1 as a factory setting.

🔊 NOTE: If you only ever use combination products in your dishwasher, you can change the softener level.

Salt Indicator

Please check the salt indicator on the control panel to see whether there is adequate amount of softening salt in the dishwasher or not. You need to refill the salt reservoir with salt whenever the salt warning indicator appears on the control panel of your machine. In order to add salt to the machine.

1. Open the door of the machine,
2. Press and hold “Start/Pause + On/Off” keys for 3 seconds.
3. The machine gives an audible warning when it is ON.
4. Press and hold “Program Selection + Cancel” keys until “SL” is represented on the display, display, the machine will display the last setting,
5. The amount of Salt is adjusted by pressing “Program Selection + Cancel” keys.
6. After the adjustment, turn off (by pressing Start/Pause + On/Off keys) the machine to save the selected salt amount.

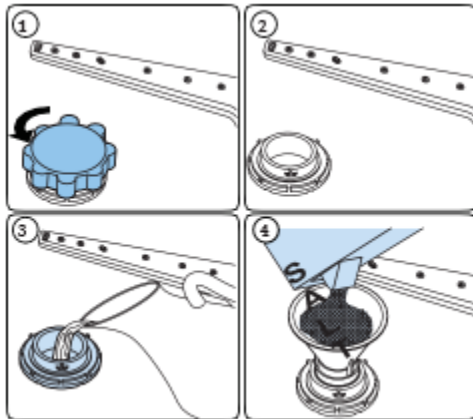
Filling The Dishwasher Salt Dispenser (Model Depending)

⚠ WARNING: Culinary and table salts do not dissolve in water easily. Using these kind of salts will damage the water softener system in your machine.

👉 NOTE: The dishwasher can only use special dishwasher salt to soften the water. Do not use any small grained or powdered type of salt, which are easily soluble. Using any other type of salt can damage your machine. The manufacturer is not liable for damages resulting from the use of the wrong type of salt

⚠ WARNING: Dishwasher detergent will damage the softener assembly. Do not fill the salt container with dishwasher detergent.

⚠ WARNING: If the water in your area is very soft and consistently lower than 9°f (French Water Hardness) you do not have to add dishwasher salt.



1. To put softener salt, first remove the lower basket and then open the salt compartment cap by turning it counter-clockwise. (fig 1-2)
2. Fill the compartment with 1kg salt and water (fig 3). If available, use the funnel (fig 4) provided to make filling easier.
3. Refit the cap and close it.

⚠ WARNING: Starting the machine with any wash program is recommended after filling the salt container, in case of any spilled salt solutions. This prevents damage to the machine.

👉 NOTE: Fill the salt compartment with water only the first time you fill the salt compartment.

👉 NOTE: If the salt warning lamp on the control panel illuminates fill the salt compartment with salt again.

⚠ WARNING: Use softener salt specifically produced for use in dishwashers .

⚠ WARNING: If you switch to using detergent that does not contain salt or rinse-aid, it is important to remember to add dishwasher salt and rinse aid.

Salt Refill Indicator (Model Depending)

- If the salt indicator light comes on during a program you need to wait until the end of the program to fill the salt reservoir with dishwasher salt.
- After the salt reservoir has been filled, the refill indicator may still be lit up if the salt concentration has not yet reached the correct level. It will go out when the correct concentration is reached.

👉 NOTE: The salt refill indicator will be turned off if you have programmed the dishwasher for a water hardness below 9 °f.

Detergent Usage

WARNING: Use a detergent specifically designed for use in domestic dishwashers.

- You can find powder, gel, and tablet detergents on the market that have been designed for household dishwashers.
- Detergent should be put into the compartment prior to starting the machine. Add the proper detergent for the selected program to ensure the best performance. Use less detergent if the dishes are only lightly soiled. Using excess detergent can leave a film on dishes and in the dishwasher, resulting in poor wash performance. Do not use detergent tablets for shorter wash cycles. The tablet may not dissolve completely, causing detergent residue on dishes and inefficient cleaning.

NOTE: The amount of detergent needed depends on the cycle, load size, and soil level of dishes. Too much detergent in soft water may cause glass corrosion and does not dissolve in water.

WARNING: Do not use too much detergent if your water supply is soft.

WARNING: Keep your detergents in cool, dry places and out of reach of children. See the detergent manufacturer's instructions for further information.

WARNING: Detergent tablets do not fully dissolve with short programmes.

To prevent detergent residues on the tableware, we recommend that you use the tablets with long programmes.

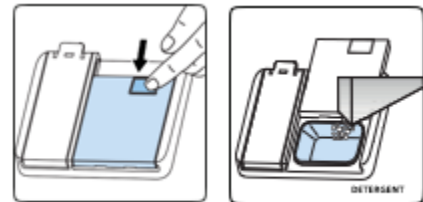
WARNING: Do not use detergent in Rinse cycle (model depending). If you do not know the hardness of your water supply, use 15 ml/3 tsp detergent. Increase the amount of detergent if you see white water marks, especially on the surface of the glassware.

- Should you need more information concerning the detergent you will use, contact detergent manufacturers directly.
- Check that the detergent dispenser is empty after the completion of each wash program.

Filling The Detergent

NOTE: The dispenser should be refilled just before the start of each program.

1. Push the latch to open the detergent container as shown in the image to the right (fig 1).
2. Pour/put the detergent into the dispenser (fig 2).
3. The detergent container has level lines inside. It is possible to measure the right detergent amount using these lines. The container can hold 40 cm³ of detergent. Open the dishwasher detergent and pour into the larger compartment, 25 cm³ if your dishes are heavily soiled or 15 cm³ if they are less soiled. You may have to add more detergent into your machine, depending on the degree of soil and on the water hardness level in your area.
4. Close the flap of the dispenser.



(fig 1)

(fig 2)

NOTE: The flap is always open at the end of a program.

WARNING: Follow instructions on the package of the detergent when using liquid dishwasher detergent, concentrated powder detergent, or tablet detergent.

⚠ WARNING: Amounts may vary if you use liquid or concentrated powder detergent. Tablet detergents should be placed in detergent container.

⚠ WARNING: Deviations are possible depending on how dirty the dishes are and how hard the water is in your location.

⚠ WARNING: Use only the proper amount of detergent. Continued use of too much detergent may cause machine damage.

Using Combined Detergents

- Detergent manufacturers also manufacture combined detergents that are called 2-in-1, 3-in-1, or 5-in-1...
- The 2 in1 detergents contain detergent+ salt or rinse aid . While using the 2 in 1 detergents, it should be observed which functions the tablet consists of.
- The other tablet detergents also have detergent+rinse aid +salt+various extra functions.
- Generally, combined detergents produce sufficient results under certain usage conditions only. Such detergents contain rinse aid and/or salt in preset amounts.

Points to consider when using this type of products:

- Always make sure to check the specifications of the detergent you will use or whether or not it is a combined detergent.
- Check if the detergent used is appropriate for the hardness of the water the machine uses.
- Observe the instructions listed on the detergent packaging.
- If you are using tablet detergents, never put them into the interior section or the cutlery basket of the dishwasher. Always put the tablets into the detergent compartment.
- When the conditions of use of such products and the machine settings are appropriate, they ensure savings in salt and/or rinse aid consumption.
- Contact the detergent manufacturers if you are not obtaining good wash results (if your dishes stay calcareous and wet) after having used 2-in-1 or 3-in-1 detergents. The scope of warranty for your machine does not cover any complaints caused by the use of these types of detergents.

Recommended usage: If you want to obtain better results while using combined detergents, add salt and rinse aid into your machine and adjust the water hardness setting and the rinse aid setting to the lowest position.

CAUTION: Solubility of tablet detergents produced by different companies can vary depending on the temperature and time. Therefore, it is not recommended to use such detergents in short programs. It is more suitable to use powder detergents in such programs.

Warning: Should you encounter a problem which you have not encountered before, due to the use of this type of detergent, contact the detergent manufacturers directly.

When you give up using combined detergents:

- Fill the salt and rinse aid compartments.
- Adjust the water hardness setting to the highest position and run an empty wash.
- Adjust the water hardness level.
- Make the suitable rinse aid setting.

Water Temperature

Hot water is needed for best dishwashing and drying results. Water entering the dishwasher should be at least 120°F (49°C) to give satisfactory results.

To check water temperature entering dishwasher:

- Turn on the hot water faucet nearest to the dishwasher for several minutes to clear cool water from pipes.
- Hold a candy or meat thermometer in the stream of water to check the temperature.
- If temperature is below 120°F (49°C), have a qualified technician to raise the hot water heater thermostat setting.

Rinse-Aid Usage

Rinse-aid makes dishes sparkle and helps them to dry without spotting. Rinse-aid is required for stain-free utensils and clear glasses.

- Use only rinse-aid for domestic dishwashers.
- Filling the rinse-aid reservoir with detergent will damage the reservoir. Only pour rinse-aid formulated for residential dishwashers into the reservoir.

NOTE: When the Rinse-Aid indicator lights up, the rinse aid reservoir contains sufficient rinse aid for 2-3 programs only. When using “Tab” detergents rinse-aid is not needed.

Filling the Rinse-Aid and Setting

1. To fill the rinse aid compartment, open the rinse-aid compartment cap (Fig.A)
2. Fill the compartment with rinse aid to the MAX level and then close the cap. Be careful not to overfill the rinse aid compartment, and wipe up any spills.
3. Close the cap until it click. Otherwise water can enter the rinse aid reservoir during a program.

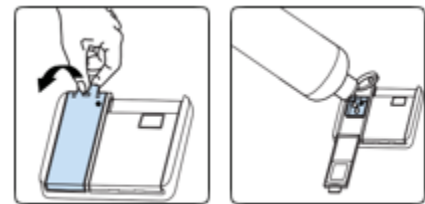


Fig. A

In order to change the rinse aid level, follow the below steps before turning on the machine:

1. Open the door of the machine.
2. Press and hold “Start/Pause + On/Off” key for 3 seconds.
3. The machine gives an audible warning when it is ON.
4. Press and hold “Program Selection
5. + Cancel” key until “rA” is represented on the display. The machine will display the last setting.
6. The amount of rinse aid is adjusted by pressing “Program Selection + Cancel” key.
7. After the adjustment, turn off (by pressing Start/Pause + On/Off key) the machine to save the selected rinse aid amount.

NOTE: If the dishes are not drying properly, are spotted, or there is an increase in the level of blue stains on your dishes, decrease the level of rinse aid.

Level	Brightener Dose	Indicator
1	Rinse-aid not dispensed	r1 is shown on the display.
2	1 dose is dispensed	r2 is shown on the display
3	2 doses are dispensed	r3 is shown on the display.
4	3 doses are dispensed	r4 is shown on the display.
5	4 doses are dispensed	r5 is shown on the display.

LOADING YOUR DISHWASHER

- If you properly place your dishes into the machine, you will be maximizing energy consumption, as well as washing and drying performance.
- You can load the lower rack with round and deep items such as pots with long handles, pot lids, plates, salad plates, and cutlery sets. The upper basket has been designed for dessert plates, salad bowls, cups and glasses. When placing long stem glasses and goblets, lean them against the basket edge, rack or glass supporter wire and not against other items. Do not lean long glasses against one another. They cannot remain steady and may receive damage. It is more appropriate to locate the thin, narrow parts into the middle sections of baskets. You can place spoons among the other cutlery sets in order to prevent them from sticking to one another.
- You are recommended to use the cutlery grid in order to obtain the best result. To avoid any possible injuries, always place such long-handle and sharp-pointed dishes, such as a serving fork, bread knife etc. with their sharp points facing down or horizontally on the baskets.

⚠ WARNING: Place your dishes into your machine in a way that they will not prevent the upper and lower spray arms from spinning.

👉 NOTE: Place all large and very dirty items in the lower rack.

⚠ WARNING: Do not put in the appliance items that can absorb water (sponges, household cloths).

👉 NOTE: Place all containers such as cups, glasses and pots into the dishwasher with the opening facing downwards (so that no water can collect).

👉 NOTE: Dishes and cutlery should not be placed above each other.

👉 NOTE: Do not overload your dishwasher and pay attention to manufacturer instructions regarding dishes which are appropriate for use in a dishwasher. Only with suitable dishes (mentioned in section 5) will you obtain optimal washing results with a sensible use of energy.

High temperature water and dishwasher detergent may form a chemical synthesis that can damage certain items.

⚠ WARNING: Be careful when loading and unloading sharp items. Load sharp knives with the handles facing up to reduce the risk of personal injury.

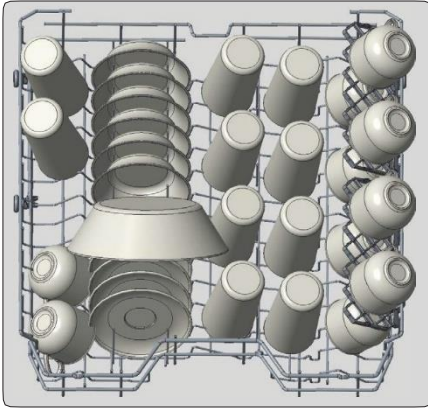
Follow the below steps before loading dishwasher:

1. Open the door.
2. Remove coarse food leftovers from tableware.
3. Load the dishwasher.

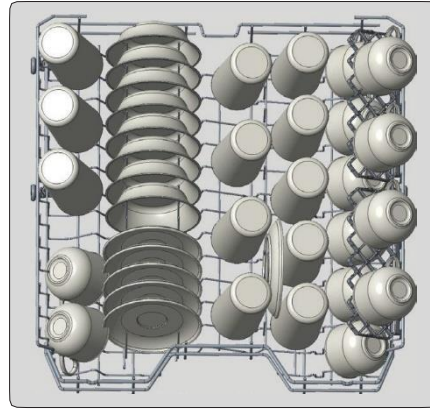
👉 NOTE: While the appliance is running, if you open the door, all functions are automatically interrupted. Once the door is closed, functions will continue to work.

Upper Rack

Load the upper rack with dessert plates, cups, glasses etc.



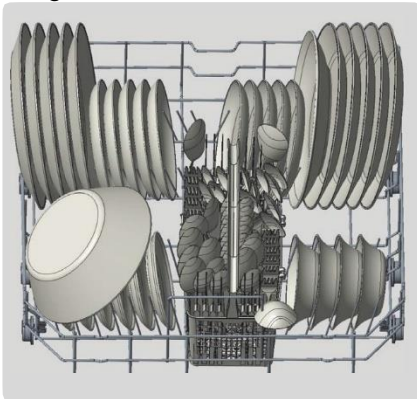
Top rack load pattern for 10 place settings



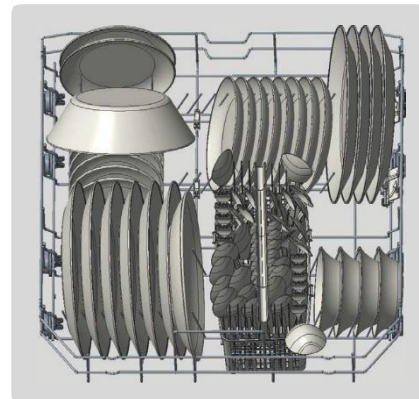
Additional Loading Pattern 12 place settings

Lower Rack

You can load into the lower basket with round and deep items, such as pots with long handles, pot lids, plates, salad plates, cutlery sets. The lower rack should not be used for small items such as cups, wine glasses.



Bottom rack load patterns for 10 place settings.

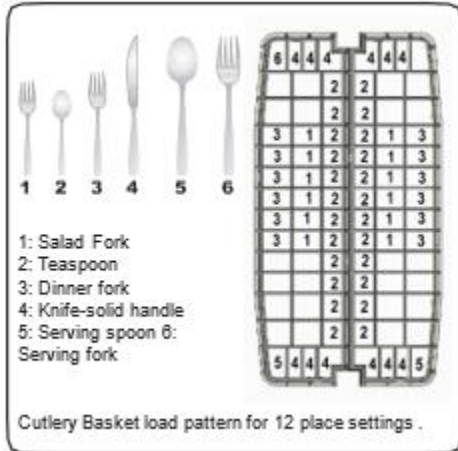


Bottom rack load patterns for 12 place settings.

⚠ WARNING: Large knives and other utensils with sharp tips and edges must be placed horizontally into the upper rack due to risk of injury. Other smaller knives and sharp utensils should be placed with sharp side down in the cutlery basket.

🔇 NOTE: Make sure that large items do not interfere with the rotation of the sprayarms, and do not prevent the detergent dispenser from opening.

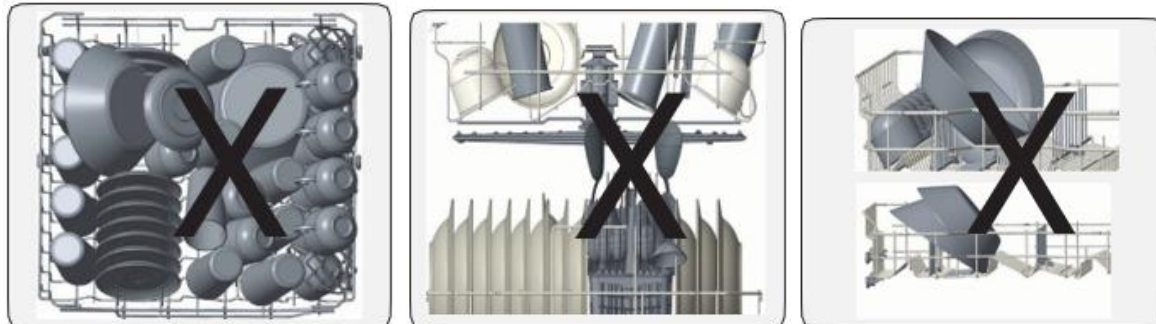
Loading cutlery basket (Model Depending)



⚠ WARNING: Sharp cutlery may shift position during the wash operation and can be also wet and slippery. Carefully remove them to prevent injury.

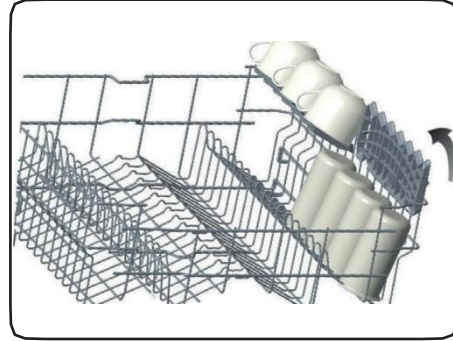
🔇 NOTE: Small items should therefore be placed in the cutlery tray or cutlery basket (model depending). Because small items can fall through the holders from the baskets.

Incorrect Loads



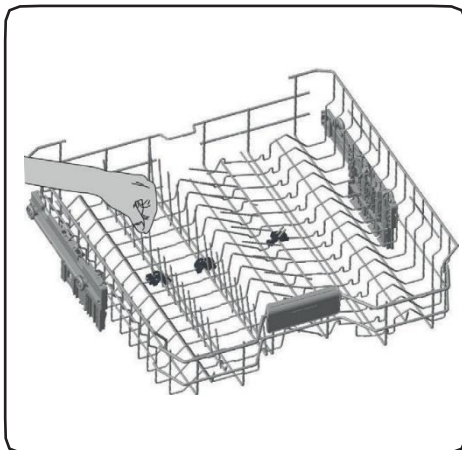
Adjustable Top Rack

- These racks are designed to increase the capacity of top rack. You can place your cups and glasses on these racks. Thanks to adjustable feature of the racks, you can place glasses of different sizes under the racks.
- Height adjustment spacers mounted on the basket allow racks to be used in 2 different positions.
- You can also place long knives, forks and spoons on these racks horizontally to ensure they do not block the movement of spray arms.



The top basket horizontal wire, located on top basket, allows you to place your plates and bowls where required. Also you can wash kitchenware such as pots and pans by closing the horizontal wire.

NOTE: Bringing the wires to the horizontal position by holding them from the tips may cause them to bend. Therefore, it will be appropriate to bring the middle wires to a horizontal or vertical position by holding them from their stems and pushing.



- The basket height adjustment mechanism on the top basket of your machine is designed to let you adjust the height of your top basket upwards or downwards, without removing it from your machine when it is full, and create large spaces at the top or bottom area of your machine, as needed.
- Basket of your machine is set to upper position in factory settings. In order to raise your basket, hold it from both sides and pull it upwards. In order to lower it, hold it from both sides again, and leave it.

NOTE: Make sure that both levers catch in the same height position.

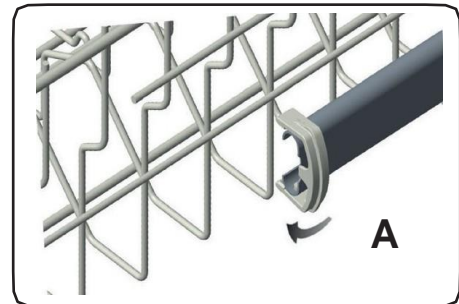
Height Setting (Model Depending)

When the basket is empty

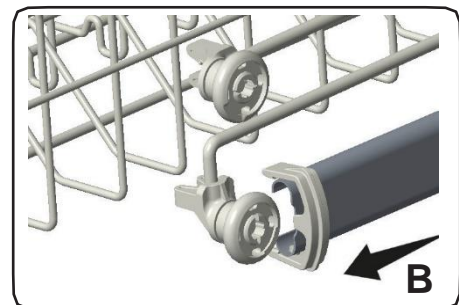
In certain models, the height setting of the upper rack may be changed using the wheels, which are present at two height levels.

CAUTION: Make sure that the rack is empty. Changing the height setting while the rack contains tableware could cause the contents to dislodge, causing personal injury or damage to the tableware.

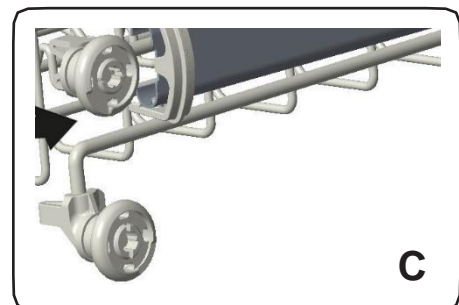
1. Release the latches on both the right and left tracks of the upper rack by turning them to the outside (A).



2. Pull the rack out complete (B).



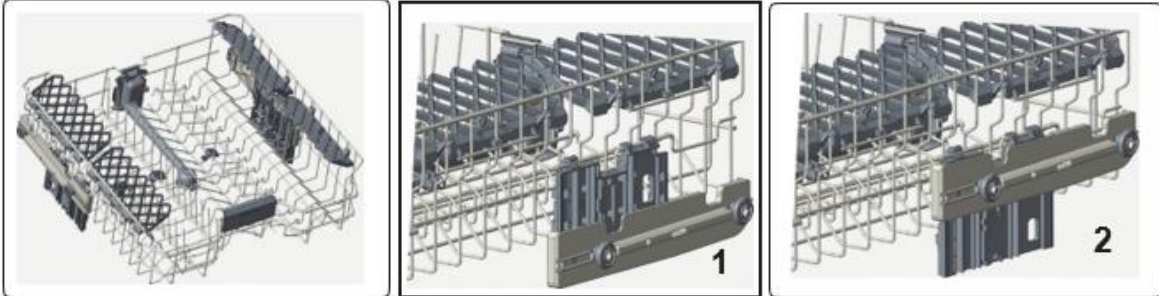
3. Place the rack into the tracks again at the desired height (C).



4. Push the latches back into the locked position.

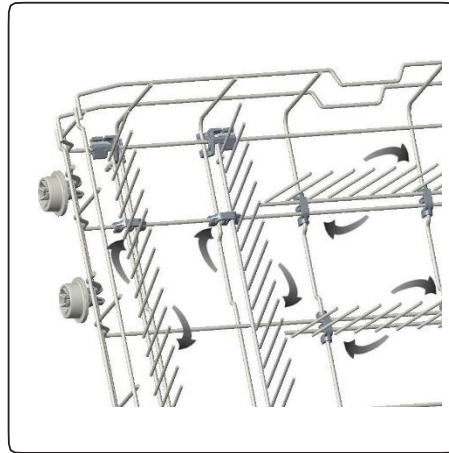
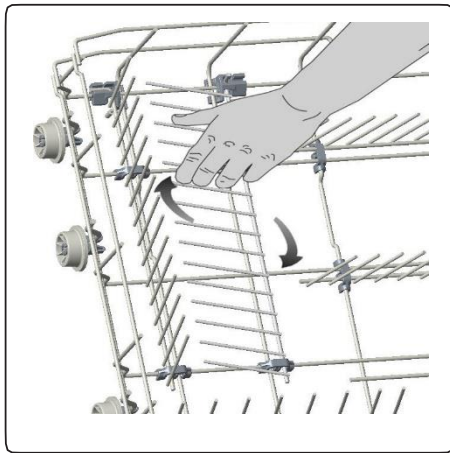
When basket is filled (model depending)

The upper basket includes a mechanism which enables the height of the basket to be adjusted up (1) or down (2) without having to remove the basket. Hold the basket on both sides and pull it up or push it down, ensuring both sides of the upper basket are in the same position.



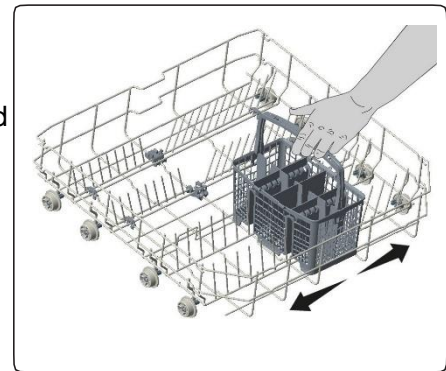
Lower Rack Folding Arms

Folding arms, consisting of four parts that are located on the lower rack of your machine, are designed in order to let you place big items, such as pots, pans, etc, more easily. Each part can be folded separately, or all of them can be folded to create larger spaces. You can use the folding racks by raising them upwards, or by folding.



Silverware Basket (Model Depending)


- The silverware basket is designed to wash your knives, forks, spoons, etc. in a more organized manner.
- Since the cutlery basket can be moved, you can create a wider space while placing your dishes into the lower rack and free up space for your dishes of different sizes.




PROGRAMS AND OPTIONS TABLE

Programs		Duration (min)	Descriptions
Regular	Dirty	145	Standard program for daily, regular or typical use to completely wash a load of normally soiled dishes.
	Clean	122	
Auto	Dirty	155	This program automatically adjusts the temperature and the quantity of water, the energy consumption and the program duration.
	Clean	110	
Intensive Plus		165	Suitable for heavily soiled dishes that are kept waiting.
Intensive		130	Suitable for heavily soiled dishes.
Daily		117	Suitable for normally soiled daily dishes.
Delicate		90	Suitable for lightly soiled delicate dishes.
Super		50	Suitable for normally soiled daily dishes with faster program.
Rinse		15	Suitable to rinse dishes that you plan to wash later.

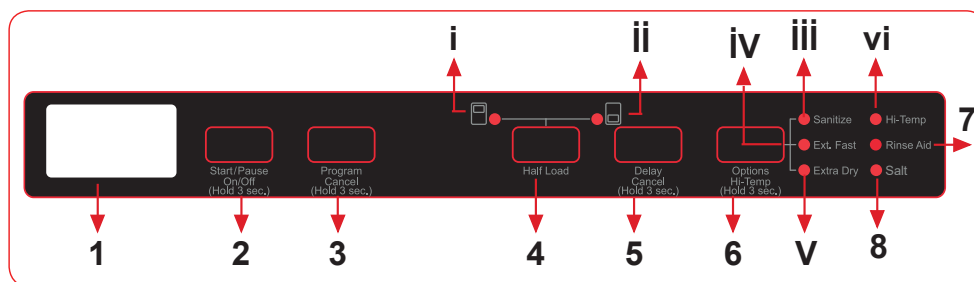
Compatibility of Programs and Options		Options				
		Half Load	Sanitize	Extra Fast	Extra Dry	Hi-Temp
Programs	Regular	√	√	√	√	√
	Auto	√	√	√	√	√
	Intensive Plus	√	√	√	√	√
	Intensive	√	√	√	√	√
	Daily	√	√	√	√	√
	Delicate	√	X	√	√	X
	Super	√	√	X	√	√
	Rinse	√	X	X	X	X

 **NOTE:** The program duration may change according to the amount of dishes, the water temperature, the ambient temperature in the room, and any selected additional functions.

 **NOTE:** The energy-usage label is based on the “Regular” program. This program is the most efficient in terms of its combined energy and water consumption at cleaning normally soiled dishes.

- Only use powder detergent for short programs.
- Short programs do not include drying.
- To assist drying, we recommend slightly opening the door after a cycle is complete.

OPERATING YOUR APPLIANCE



1. Display
2. On/Off + Start/Pause Key
3. Program Selection + Cancel Key
4. Half Load Key
 - i. Upper Basket Half Load LED
 - ii. Lower Basket Half Load LED
5. Delay Timer Key
6. Options Key
 - iii. Sanitize Function LED
 - iv. Extra Fast Function LED
 - v. Extra Dry Function LED
 - vi. Hi-Temp Function LED
7. Rinse-Aid Indicator
8. Salt Indicator

Keys

On/Off Key

This key is used as On/Off key if the corresponding button is held down for 3 seconds. Otherwise, it can be used as Start/Pause key. It is used to turn on or turn off the machine. The machine will turn on with the Regular program and the number and the duration of the Regular program will appear on the display. Each of the program numbers and the duration will subsequently be shown for 2 seconds on the display. In the Off position, the display will turn off.

Start/Pause Key

It is used to start or pause a selected program and functions.

Program Selection/Cancel Key

- It is used to select the appropriate washing program from the programs table.
- The cancel key is activated when Program Selection/Cancel Key is held down for 3 seconds.

Half Load Key

It is used to add Half Load functions to the selected program.

Delay Timer Key

It should be pressed to set the time delay.

Options Key

It is used to add auxiliary functions to the selected program.

Preparing the Machine

1. Open the door of the dishwasher.
2. Place the dishes in accordance with the instructions in this user manual.
3. Make sure that the upper and lower impellers rotate freely.
4. Put adequate amount of detergent into the detergent dispenser.
5. Check if the Salt and Rinse Aid indicators light and add salt and/or rinse aid, if needed.

Program Selection

1. Press the On/Off key to turn on your machine. Note that the door of the dishwasher is in the OPEN position.
2. Refer the "Programs Table" to determine a washing program suitable of your dishes.
3. Press program selection key until the number of the program you selected appears on the display.

In order to start the selected program, Start/Pause key must be pressed and the door of the dishwasher must be closed within 4 seconds after the Start/Pause key is pressed.

If the door is not closed within 4 seconds, the machine will not start. In this case, to start the selected program, the door must be opened, the Start/Pause key must be pressed and the door must be closed again within 4 seconds after the Start/Pause key is pressed.

If the door of the machine is opened when the machine is running, the machine stops working. If the door is closed back within 4 seconds after the door is opened, the machine will continue.

If the door stays open for more than 4 seconds, Start/Pause key must be pressed and the door of the dishwasher must be closed within 4 seconds after the Start/Pause key is pressed.

Auxiliary Functions

The washing programs are designed to obtain the best cleaning effect, considering the type of the soil, soiling degree and properties of the dishes to be washed. Auxiliary functions are provided in order to enable you to save time, water, and energy and to perform a more comfortable washing with conditions specific to you.

1. Auxiliary functions may cause changes in the program duration.
2. Auxiliary functions are not suitable for all washing programs. The dishwasher will make a warning sound, and the auxiliary function will not activate, if it is used with an incompatible washing program.

To add auxiliary function to the program:

1. Select the desired washing program by pressing the Program Selection key.
2. In the selected washing program, if an auxiliary function is selected, the corresponding function LED will illuminate. If the Half Load or Options key is pressed again, the corresponding LED of another auxiliary function will illuminate.
3. The selection of the auxiliary function will be cancelled when you press the Half Load or Options button until the selected option LED turns off.

Sanitize Option

The sanitize function raises the water temperature in the final rinse.

1. At the end of a successful sanitization, "00" is displayed.
2. "Available programs and options are indicated on program Table and Options Table charts.

Extra Fast Option

Select the Extra Fast option to decrease the duration of a washing program, providing more economical water usage.

Extra Dry Function

The machine changes the water temperature from the value described for each different program and the extra dry is performed.

Hi-Temp Function

Select the Hi-Temp option by pressing Options key for 3 seconds. When this option is selected, both the water temperature and of the washing time are increased.

Half Load Function

It is used to operate the machine without loading it completely.

1. Load your dishes in the machine as you like.
2. Turn the machine on with On/Off key.
3. Select the desired program and press the Half Load key. The Half Load indicator will illuminate on the display.
4. Press Start/Pause key to start the selected program and close the door of the machine.
5. With the Half Load function, you can save power while using the lower and/or upper racks of the machine.

Programming The Washing Time

Delay Timer

The Delay Timer function can be used to wash your dishes during appropriate hours. You can delay the start of the selected program for up to 19 hours. Delay Timer cannot be set after the program starts.

To set the Delay Timer:

1. Press the Delay Timer function key after selecting the washing program and other auxiliary functions.
2. Once you press the Delay Timer key, Display will show "1h" and the display will show the program number, program duration and delay time alternately for 2 seconds.
3. Set the desired time by pressing the Delay Timer key. Time will increase with the increments of 1 hour every time you press the key.
4. In order to start the selected program with delay, press the Start/Pause key and close the dishwasher door within 4 seconds.

NOTE: The use of Delay Timer has a special case.

Assume that you have selected a program with delay and pressed Start/ Pause key. After a length of time, you have opened the door of the machine. If the door of the machine is closed within 4 seconds, the machine resumes on for the duration of the delay timer. If the door is not closed within 4 seconds, the machine pauses the delay timer. In this case, to continue the delay timer, the door must be opened, the Start/Pause key must be pressed and the door must be closed again within 4 seconds after the Start/Pause key is pressed.

Changing the settings while Delay Timer is enabled:

While the Delay Timer function is activated, you cannot make changes in the washing program, auxiliary functions or the duration of the delay time.

To cancel the Delay Timer function:

1. Open the door of the dishwasher.
2. Press and hold program Delay Timer key for 3 seconds.
3. At the end of 3 seconds, the delaying process will be cancelled.
 - a. You can select and start a new program following the cancellation of Delay Timer function.
 - b. Delay Timer function cannot be set after the program starts.

Starting the Program

- Open the door of your machine, select the appropriate program and auxiliary functions, press the Start/Pause + On/Off key, and close the door within 4 second.
- Once the program starts, the estimated time remaining to the end of the program will appear on the display.
 - Your machine performs water softening depending on the hardness level of the water supply. Remaining time displayed towards the end in some programs can be different from the time indicated at the beginning due to this process. The total time can also change while the program is running, depending on the ambient temperature where your machine is installed, temperature of the supply water, and amount of the dishes.
 - Try not to open the door of the machine when it is running. Stop the machine by pressing Start/Pause key as soon as the door of the machine is opened. In other situation, the machine will stop automatically after 4 seconds when the door of the machine is opened and any key is not pressed.
 - If the door is opened while the machine is running, the machine will switch to the standby mode. Press Start/Pause key and close the machine door within 4 seconds, then the program will resume.

Cancelling the Program

1. Press the Selection + Cancel key for 3 seconds to cancel the program.
2. After 3 seconds, "1" will appear on the display. For a couple of minutes, the machine will fulfill the necessary operations required to cancel the program.
3. There might be residues of detergent or rinse aid left in the machine and/or on the pieces being washed, depending on the step the program you have cancelled was in.

Salt Indicator (Model Depending)

Please check the salt indicator on the control panel to see whether there is an adequate amount of softening salt in the dishwasher. You need to refill the salt reservoir with salt whenever the salt warning indicator appears on the control panel of your machine.

Rinse-Aid Indicator

Please check the rinse aid indicator on the control panel to see whether there is adequate amount of rinse aid in the dishwasher. You need to refill the rinse aid reservoir with rinse aid whenever rinse aid warning indicator appears on the control panel of your machine.

End of Program

"00" will be displayed when the washing programm is finished.

1. Open the door of the machine.
2. Press Start/Pause + On/Off key to turn off your machine.
 - a. Leave your dishes in the machine for about 15 minutes to cool down after they are washed. Your dishes will dry in a shorter time if you leave the door of your machine ajar during this period. This process will increase the drying effectiveness of your machine.

Water Cut-off Warning

If the main water supply is cut or water inlet tap is turned off, the machine cannot take water in, and “FF” will flash continuously on the display. As long as the problem continues, the washing program is stopped and water inlet is checked regularly by the user. If the water inlet is provided, the machine gets ready to start a new program.

Overflowing Warning

If the machine intakes too much water or there is leakage at any of the components, the machine will detect this and “F1” will flash on the display. As long as the overflowing continues, a programmed safety algorithm will try to discharge the water. If the overflowing stops and safety is assured, “F1” will disappear. If “F1” does not disappear, there is a permanent fault. In this case, the authorized service provider should be contacted.

MAINTENANCE AND CLEANING

⚠ WARNING : Before cleaning or carrying out maintenance, switch off the appliance, disconnect the power main and turn off the water tap.

⚠ Your dishwasher can only be repaired by an authorized service agent. DO NOT try to repair your machine unless it is recommendation by this manual

⚠ WARNING : All surfaces are susceptible to scratching. Contact with unsuitable cleaning agents can alter or discolor all surfaces.

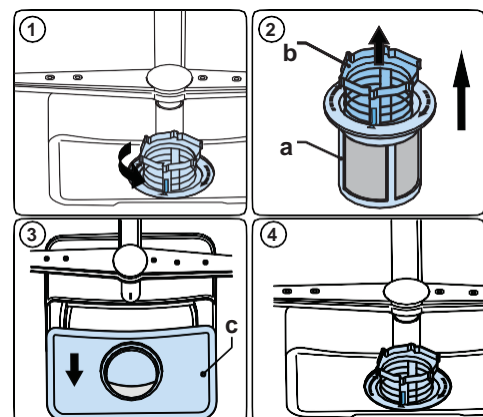
⚠ WARNING : Keep the floor around your dishwasher clean and dry to prevent any possible injury. To keep your dish washer clean, we recommend emptying and leaving the door cracked open to allow air to circulation, should the machine go unused for an extended period of time.

- The dishwasher door can be damaged by abrasive cleaners, scouring pads, and abrasive cloths. Cleaning the machine in regular intervals prolongs the machine’s service life. Oil and lime may accumulate in the machine’s washing section.
- In case of such accumulation:
 - Fill the detergent compartment without loading any dishes into the machine, select a program that runs at a high temperature, and start the machine. In case of insufficiency, use special cleansing material available in the market. (Cleansing material produced special to machines by detergent producers.)
- Clean the seals in the machine door:
 - Wipe the seals regularly by using a dampened cloth.
- Cleaning the machine:
 - Clean the filters and spray arms at least once a month.
 - Unplug your machine and turn off its tap before starting the cleaning.
 - Do not use hard materials when cleaning your machine. Wipe with a fine cleaning material and a dampened cloth.

Filters

Check if any food wastes have remained on the coarse and fine filters. If any food wastes are left, remove the filters and clean them thoroughly under running water.

- Micro Filter
- Coarse Filter
- Metal/Plastic

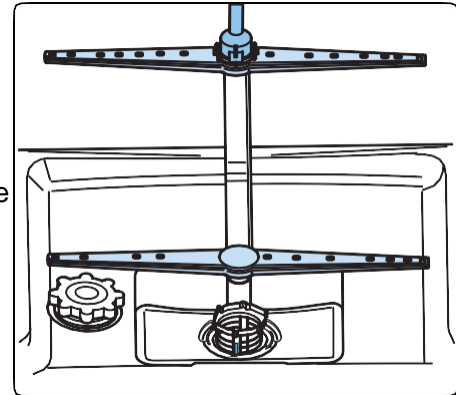


Spray Arms

Check whether or not the holes for the upper and lower spray arms are clogged. If there is any clogging, remove the spray arms and clean them under running water.

You can remove the lower spray arm by pulling it upwards, while the upper spray arm nut can be removed by turning the nut to the left.

Be sure that the nut is perfectly tightened when refitting the upper spray arm.

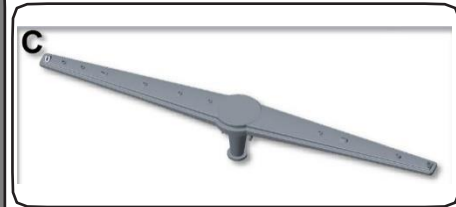
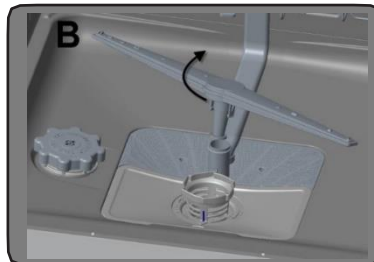
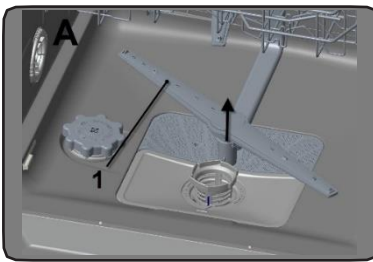


Cleaning The Impellers

Clean the impellers at least once a week in order for the machine operates efficiently.

Lower Impeller

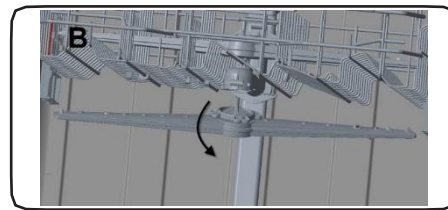
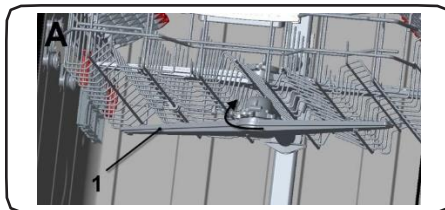
Check if the holes on the lower impeller (1) are clogged. If they are clogged, remove and clean the impeller. Pull the lower impeller up to remove it (A, B.)



Upper Impeller

Check if the holes on the upper impeller (1) are clogged. If they are clogged, remove and clean the impeller. Turn its nut to left to move the upper impeller (A, B)

Make sure that the nut is tightened well when installing the upper impeller.



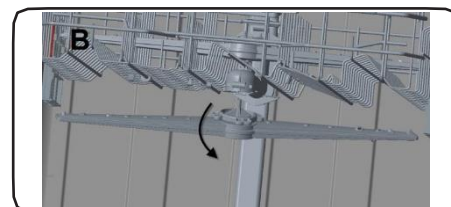
WHAT SHOULD NOT BE WASHED IN YOUR DISHWASHER?

- All items to be placed in the dishwasher should be dishwasher safe.
- Plastics with “dishwasher safe” or equivalent label can only be used in dishwashers. Plastics may lose their shape or color. Check with manufacturer for recommendations.
- Any dishes made out of wood or made out with wooden parts are not suitable for washing in dishwashers. High temperatures can cause the wood swell or crack.
- Silver items without dishwasher safe label should not be washed in the dishwasher because high temperatures and detergent can damage your silver. Check with manufacturer for recommendations.
- Dishwasher safe silver items and stainless steel items should not come into contact, as the silver can become discolored.
- Porcelains and glassware with decorations and hand-painted utensils may lose their color and patterns due to the high temperatures. Non-decorated items are dishwasher-proof. Check with manufacturer for recommendations.
- Aluminum can turn dark in the dishwasher due to the heat, the detergent used or even just certain minerals in your water.
- Do not wash sponges or dish cloths in dishwasher.
- Do not wash any material like acrylic, copper, brass, pewter, iron, bronze or tin.
- Pots without a non-stick coating are safe to be cleaned by your dishwasher but some non-stick pots and pans can lose their coating and also sticking ability.
- Glued dishes or cutlery are not suitable for machine washing since adhesives that join materials such as plastic, wood, bone, steel, copper, tin, etc. may loosen.

⚠ WARNING: If in doubt, wash by hand or follow the instructions from the manufacturer of utensils, dishes, glasses or pots and pans. Do not wash items soiled with cigarette ash, candle wax, varnish, paints or chemicals since they can damage your dishwasher.

⚠ WARNING: Empty the lower rack first and then the upper rack. This will avoid water dripping from the upper rack onto dishes in the lower rack.

⚠ WARNING: In general, it is not advisable to open the door while the dishwasher is in operation. If the door is opened, a safety device stops the dishwasher. Care should be taken when opening the door immediately following the cycle, as steam may escape.



TROUBLESHOOTING

FAULT	POSSIBLE CAUSE	TROUBLESHOOTING
The program does not start.	Your Dishwasher is not plugged in.	Plug your Dishwasher in.
	Your Dishwasher is not switched on.	Switch your Dishwasher on by pressing the On/Off button.
	Fuse blown.	Check your indoor fuses.
	Water inlet tap is closed.	Turn on the water inlet tap.
	Your Dishwasher door is open.	Close the Dishwasher door.
	Water inlet hose and machine filters are clogged.	Check the water inlet hose and machine filters and make sure they are not clogged.
Water remains inside the machine.	Water drain hose is clogged or twisted.	Check the drain hose, then either clean or untwist it.
	The filters are clogged.	Clean the filters.
	The programme is not finished yet.	Wait until the programme is finished.
Machine stops during washing.	Power failure.	Check mains power.
	Water inlet failure.	Check water tap.
Shaking and hitting noises are heard during a wash operation.	The spray arm is hitting the dishes in the lower basket.	Move or remove items blocking the spray arm.
Partial food wastes remain on the dishes.	Dishes placed incorrectly, sprayed water not reaching affected dishes.	Do not overload baskets.
	Dishes leaning each another.	Place dishes as instructed in the section on loading your dishwasher.
	Not enough detergent used.	Use the correct amount of detergent, as instructed in the programme table.
	Wrong wash programme selected.	Use the information in the programme table to select the most appropriate programme.
	Spray arms clogged with food waste.	Clean the holes in the spray arms with thin objects.
	Filters or water drain pump clogged or filter misplaced.	Check the drain hose and filters are correctly fitted.

FAULT	POSSIBLE CAUSE	TROUBLESHOOTING
Whitish stains remains on dishes.	Not enough detergent used.	Use the correct amount of detergent, as instructed in the programme table.
	Rinse aid dosage and/or water softener setting set too low.	Increase rinse aid and/or water softener level.
	High water hardness level.	Increase water softener level and add salt.
	Salt compartment cap not closed properly.	Check that the salt compartment cap is closed properly.
Dishes do not dry.	Drying option is not selected.	Select a programme with a drying option.
	Rinse aid dosage set too low.	Increase rinse aid dosage setting.
Rust stains form on the dishes.	Stainless-steel quality of the dishes is insufficient.	Use only dishwasher-proof sets.
	High level of salt in wash water.	Adjust the water hardness level using water hardness table.
	Salt compartment cap not closed properly.	Check that the salt compartment cap is closed properly.
	Too much salt spilled in the Dishwasher while filling it with salt.	Use funnel while filling salt to the compartment to avoid spillage.
	A poor mains grounding.	Consult a qualified electrician immediately.
Detergent remains in the detergent compartment.	Detergent was added when the detergent compartment was wet.	Make sure detergent compartment is dry before use.

If your appliance shows other symptoms than those described above, or if you have checked all items listed as the cause and the problem still exists, then call Summit Appliance Customer Service at **1-800-932-4267**.

AUTOMATIC FAULT WARNINGS

TROUBLE CODE	POSSIBLE FAULT	WHAT TO DO
FF	Water inlet system failure	Make sure the water inlet tap is open and water is flowing.
		Separate the inlet hose from the tap and clean the filter of the hose.
		Contact for service if the error continues.
F5	Pressure system failure	Contact for service.
F3	Continuous water input	Close the tap and contact for service.
F2	Inability to discharge water	Water discharge hose and filters may be clogged.
		Cancel the program.
		If the error continues, contact for service.
F8	Heater error	Contact for service.
F1	Overflow	Unplug the machine and close the tap.
		Contact for service.
FE	Faulty electronic card	Contact for service.
F7	Overheating	Contact for service.
F9	Divisor position error	Contact for service.
F6	Faulty heater sensor	Contact for service.
HI	High voltage failure	Contact for service.

Practical Information

- When the machine isn't in operation:
 1. Disconnect the plug and close the tap.
 2. Leave the door slightly open to prevent odour formation.
- Select the dry option to remove water droplets.
- Place dishes in the machine properly to achieve the best energy consumption, washing and drying performance. Please see the program and consumption table for more information.
- Rinse dirty dishes before placing them in the dishwasher.
- Only use the Rinse program when necessary.
- Do not place the machine near a refrigerator because it will reach high temperatures.
- If the machine is located in an area that is at risk of freezing, close the tap, disconnect the inlet hose from the tap and drain the water inside the hose and the machine completely. penses outside the metropolitan region.

LIMITED WARRANTY

ONE-YEAR LIMITED WARRANTY

Within the 48 contiguous United States, for one year from the date of purchase, when this appliance is operated and maintained according to instructions attached to or furnished with the product, warrantor will pay for factory-specified parts and repair labor to correct defects in materials or workmanship. Service must be provided by a designated service company. Outside the 48 states, all parts are warranted for one year from manufacturing defects. Plastic parts, shelves and cabinets are warranted to be manufactured to commercially acceptable standards, and are not covered from damage during handling or breakage.

ITEMS WARRANTOR WILL NOT PAY FOR:

1. Service calls to correct the installation of your appliance, to instruct you how to use your appliance, to replace or repair fuses or to correct wiring or plumbing.
2. Service calls to repair or replace appliance light bulbs or broken shelves. Consumable parts (such as filters) are excluded from warranty coverage.
3. Damage resulting from accident, alteration, misuse, abuse, fire, flood, acts of God, improper installation, installation not in accordance with electrical or plumbing codes, or use of products not approved by warrantor.
4. Replacement parts or repair labor costs for units operated outside the United States.
5. Repairs to parts or systems resulting from unauthorized modifications made to the appliance.
6. The removal and reinstallation of your appliance if it is installed in an inaccessible location or is not installed in accordance with published installation instructions.

DISCLAIMER OF IMPLIED WARRANTIES - LIMITATION OF REMEDIES

CUSTOMER'S SOLE AND EXCLUSIVE REMEDY UNDER THIS LIMITED WARRANTY SHALL BE PRODUCT REPAIR AS PROVIDED HEREIN. IMPLIED WARRANTIES, INCLUDING WARRANTIES OF MERCHANTABILITY OR FITNESS FOR A PARTICULAR PURPOSE, ARE LIMITED TO ONE YEAR. WARRANTOR SHALL NOT BE LIABLE FOR INCIDENTAL OR CONSEQUENTIAL DAMAGES. SOME STATES DO NOT ALLOW THE EXCLUSION OR LIMITATION OF INCIDENTAL OR CONSEQUENTIAL DAMAGES, OR LIMITATIONS ON THE DURATION OF IMPLIED WARRANTIES OF MERCHANTABILITY OR FITNESS, SO THESE EXCLUSIONS OR LIMITATIONS MAY NOT APPLY TO YOU. THIS WARRANTY GIVES YOU SPECIFIC LEGAL RIGHTS AND YOU MAY ALSO HAVE OTHER RIGHTS, WHICH VARY FROM STATE TO STATE.

WARNING: This product can expose you to chemicals, including Diisononyl Phthalate (DNIP) known to the State of California to cause cancer.

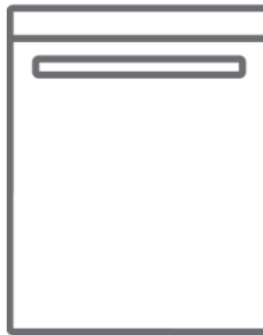
For more information visit www.P65Warnings.ca.gov

Summit Appliance
Division of Felix Storch, Inc.
An ISO 9001:2015 registered company
770 Garrison Avenue
Bronx, NY 10474
www.summitappliance.com

SUMMIT[®]
For parts and accessory ordering,
troubleshooting and helpful hints, visit:
www.summitappliance.com/support



LAVE-VAISSELLE



Des Modèles

DW242WADA	LDW24WA	DW242W	ADADW24W
DW243BADA	LDW24BA	DW243B	ADADW24B
DW245NTADA	LDW24NTA	DW245NT	ADADW24NT

Manuel d'utilisation

AVANT UTILISATION, VEUILLEZ LIRE ET SUIVRE TOUTES LES RÈGLES DE SÉCURITÉ ET LES INSTRUCTIONS D'UTILISATION.

Écrivez les numéros de modèle et de série ici:

Numéro de modèle : _____

Numéro de série: _____

Felix Storch, Inc.
An ISO 9001:2015 registered company
770 Garrison Avenue
Bronx, NY 10474
www.summitappliance.com





TABLE DES MATIÈRES

<i>Consignes de sécurité importantes</i>	4-6
<i>Installation</i>	7
<i>Informations techniques</i>	8
<i>Avant d'utiliser votre appareil</i>	9-14
<i>Préparation de votre lave-vaisselle pour la première utilisation</i>	9
<i>Réglage de l'adoucisseur d'eau</i>	9-10
<i>Remplissage du distributeur de sel</i>	11
<i>Utilisation du détergent</i>	12
<i>Remplissage du détergent</i>	12-13
<i>Utilisation de détergents combinés</i>	13
<i>Température de l'eau</i>	13-14
<i>Dosage du produit de rinçage et réglage</i>	14
<i>Chargement de votre lave-vaisselle</i>	15-20
<i>Panier supérieur</i>	16
<i>Panier inférieur</i>	16-17
<i>Charges incorrectes</i>	17
<i>Panier supérieur réglable</i>	18
<i>Réglage de la hauteur</i>	19-20
<i>Bras repliables du panier inférieur</i>	20
<i>Panier à couverts</i>	20
<i>Programmes et options Tableau</i>	21
<i>Utilisation de votre appareil</i>	22-26
<i>Panneau de contrôle</i>	22
<i>Touches</i>	22
<i>Préparation de la machine</i>	23
<i>Sélection de programme</i>	23
<i>Fonctions auxiliaires</i>	23-24
<i>Programmation du temps de lavage</i>	24-25
<i>Démarrage du programme</i>	25
<i>Annulation du programme</i>	25
<i>Indicateur de sel</i>	25
<i>Indicateur de produit de rinçage</i>	25
<i>Fin du programme</i>	25
<i>Avertissement de coupure d'eau</i>	26
<i>Avertissement de débordement</i>	26
<i>Entretien et nettoyage</i>	26-27
<i>Filtres</i>	26
<i>Bras d'aspersion</i>	27
<i>Nettoyage des hélices</i>	27
<i>Ce qui ne doit pas être lavé</i>	28
<i>Dépannage</i>	29-30
<i>Avertissements automatiques de panne</i>	31
<i>Garantie limitée</i>	32

Nous vous remercions d'avoir choisi ce produit.

Ce Manuel d'utilisation contient des informations importantes sur la sécurité et des instructions destinées à vous aider dans l'utilisation et l'entretien de votre appareil électroménager.

Veuillez prendre le temps de lire ce Manuel d'utilisation avant d'utiliser votre appareil électroménager et veuillez conserver ce manuel pour pouvoir vous y référer ultérieurement.

 Icône 	 Type 	 Signification
	 AVERTISSEMENT 	Blessures graves ou risque de mort
	 RISQUE DE CHOC ÉLECTRIQUE 	Risque de tension dangereuse
	 INCENDIE 	Avertissement; Risque d'incendie / matériaux inflammables
	 MISE EN GARDE 	Risque de blessure ou de dommage matériel
	 REMARQUE IMPORTANTE 	Faire fonctionner correctement le système

INTRODUCTION

- Veuillez lire ce manuel d'utilisation et en particulier les consignes de sécurité, attentivement et dans leur intégralité. Ces instructions vous feront gagner du temps et des efforts et vous aideront à garantir les performances optimales du lave-vaisselle.
- Assurez-vous de respecter tous les avertissements et toutes les mises en garde répertoriés. Recherchez en particulier les icônes avec des points d'exclamation à l'intérieur. L'icône d'information four-nira également des références importantes. exclamation marks inside. The information icon will also provide important references.

⚠ AVERTISSEMENT : indique une situation potentiellement dangereuse qui, si elle n'est pas évitée, pourrait entraîner la mort ou des blessures graves.

⚠ ATTENTION : indique une situation potentiellement dangereuse qui, si elle n'est pas évitée, peut entraîner des blessures. Il peut également être utilisé pour alerter contre les pratiques dangereuses.

🔊 AVIS : Indique une situation potentiellement dangereuse qui, si elle n'est pas évitée, peut endommager le lave-vaisselle, la vaisselle, l'équipement ou l'environnement.

CONSIGNES DE SÉCURITÉ IMPORTANTES


⚠ AVERTISSEMENT : lors de l'utilisation du lave-vaisselle, suivez les consignes de base. Lisez toutes les instructions avant d'utiliser le lave-vaisselle ! Conservez ce mode d'emploi et transmettez-le à tout futur utilisateur.

- N'utilisez le lave-vaisselle que pour l'usage auquel il est destiné, tel que décrit dans ce manuel d'utilisation. Cet appareil est destiné à un usage domestique normal uniquement. Ne modifiez pas les spécifications de l'appareil. Le fabricant décline toute responsabilité pour les dommages ou les blessures causés par une mauvaise utilisation de cet appareil.
- Les informations contenues dans ce manuel d'utilisation doivent être suivies pour minimiser le risque d'incendie ou d'explosion et pour éviter des dommages matériels, des blessures ou des pertes de vie.
- N'utilisez que des détergents ou des agents mouillants recommandés pour une utilisation dans un lave-vaisselle et gardez-les hors de la portée des enfants.
- Lors du chargement des articles à laver :
 1. Localisez les objets pointus de manière à ce qu'ils ne risquent pas d'endommager le joint de la porte.
 2. Chargez les couteaux tranchants avec les poignées vers le haut pour réduire le risque de blessures.
- Ne lavez pas les articles en plastique à moins qu'ils ne portent la mention « lavable au lave-vaisselle » ou l'équivalent. Pour les articles en plastique non marqués, consultez les recommandations du fabricant.
- Ne touchez pas l'ÉLÉMENT CHAUFFANT pendant ou immédiatement après son utilisation.
- N'utilisez pas votre lave-vaisselle si tous les panneaux de l'ENVELOPPE ne sont pas correctement en place.
- Ne modifiez pas les commandes.
- Ne pas abuser, s'asseoir ou se tenir debout sur la porte ou le panier à vaisselle du lave-vaisselle.
- Les porte-tasses sont conçus pour supporter les tasses, les verres et les ustensiles de cuisine. Lorsque les porte-tasses sont dans le lave-vaisselle, ne vous appuyez pas dessus et n'utilisez pas les porte-tasses pour supporter le poids de votre corps.
- Cet appareil doit être mis à la terre. En cas de dysfonctionnement ou de panne, la mise à la terre réduira le risque de choc électrique en fournissant un chemin de moindre résistance pour le courant électrique. Cet appareil est équipé d'un cordon doté d'un conducteur de mise à la terre et d'une fiche de mise à la terre. La fiche doit être branchée dans une prise appropriée qui est installée et mise à la terre conformément à tous les codes et ordonnances locaux.

ATTENTION:

Une mauvaise connexion du conducteur de mise à la terre de l'équipement peut entraîner un risque de choc électrique. Vérifiez auprès d'un électricien qualifié ou d'un représentant de service si vous n'êtes pas sûr que l'appareil soit correctement mis à la terre. Ne modifiez pas la fiche fournie avec l'appareil. Si elle ne rentre pas dans la prise, faites installer une prise appropriée par un électricien qualifié.

- Certains détergents pour lave-vaisselle sont fortement alcalins. Ils peuvent être extrêmement dangereux s'ils sont avalés. Évitez tout contact avec la peau et les yeux et tenez les enfants et les personnes infirmes éloignés du lave-vaisselle lorsque la porte est ouverte.
Consultez immédiatement un médecin si du détergent a été avalé ou inhalé.
- Ne retirez pas la vaisselle de l'appareil électroménager avant que le programme soit terminé. Un peu de détergent peut rester sur la vaisselle.
- Assurez-vous que le distributeur de détergent soit vide à la fin de chaque programme de lavage.
- Ne buvez pas et ne jouez pas avec l'eau de l'appareil électroménager. Il peut y avoir des résidus nocifs.
- Afin de réduire les risques de blessures, ne laissez pas les enfants jouer dans ou sur le lave-vaisselle.
- Lorsque les enfants sont assez grands pour faire fonctionner l'appareil, il est de la responsabilité des parents / tuteurs légaux de s'assurer que les enfants soient formés aux pratiques de sécurité par des personnes qualifiées.
- Ne laissez pas la porte ouverte de l'appareil électroménager sans surveillance afin d'éviter que quelqu'un ne s'y cogne accidentellement.

 **AVERTISSEMENT :** Éteignez l'appareil électroménager et débranchez la fiche de la prise secteur avant de procéder à toute maintenance.

- N'utilisez pas de jets d'eau à haute pression et / ou de vapeur pour nettoyer l'appareil électroménager.
- Assurez-vous qu'il n'y ait aucune fuite d'eau visible pendant et après la première utilisation de l'appareil électroménager.
- Ne laissez aucune zone humide autour ou sous le lave-vaisselle afin d'éviter d'endommager le sol et toute trace de moisissure.
- Assurez-vous qu'il ne reste pas d'eau dans le lave-vaisselle pendant les longues périodes de gel afin d'éviter d'endommager le lave-vaisselle.

RISQUE DE BLESSURE : Afin d'éviter tout risque de blessure, faites toujours preuve de prudence lorsque vous ouvrez la porte pendant ou après un cycle de lavage car de l'eau chaude ou de la vapeur peut s'échapper.

- Ne stockez pas et n'utilisez pas de liquides ni de vapeurs de produits inflammables à proximité du lave-vaisselle ni au-dessus de celui-ci.
- Dans certaines conditions, de l'hydrogène gazeux peut être produit dans un système d'eau chaude qui n'a pas été utilisé pendant deux semaines ou plus. **LE GAZ HYDROGÈNE EST EXPLOSIF.** Si le système d'eau chaude n'a pas été utilisé pendant une telle période, avant d'utiliser le lave-vaisselle, ouvrez tous les robinets d'eau chaude et laissez l'eau s'écouler de chacun d'entre eux pendant plusieurs minutes. Cela permettra de libérer tout hydrogène gazeux accumulé. Comme le gaz est inflammable, ne fumez pas et n'utilisez pas de flamme nue pendant cette période.
- Veuillez vérifier périodiquement la conduite d'alimentation en eau. Elle est susceptible de se casser. Elle devient moins flexible avec le temps. Remplacez-la immédiatement si elle est déchirée, coupée, gonflée ou s'il y a une fuite d'eau.

RECYCLAGE

Retirez la porte du compartiment de lavage lors du retrait de l'an-cien lave-vaisselle pour le jeter. Assurezvous que l'appareil élec-troménager ne présente aucun danger pour les enfants lorsqu'il est stocké pour être jeté. Avant de jeter le lave-vaisselle :

- Débranchez l'appareil de l'alimentation secteur.
- Coupez le câble secteur et jetezle.
- Retirez le loquet de la porte pour empêcher les enfants et les animaux de s'enfermer dans l'appareil électroménagerLes anciens appareils peuvent contenir des matériaux recyclables. Veuillez contacter le centre de recyclage local pour obtenir des informations sur le recyclage de ces matériaux. Veuillez vérifier périodiquement la conduite d'alimentation en eau. Elle est susceptible de se casser. Elle devient moins flexible avec le temps. Remplacezla immédiatement si elle est déchirée, coupée, gonflée ou s'il y a une fuite d'eau.Veuillez garder l'emballage du lave-vaisselle hors de la portée des enfants après l'avoir déballé.

AVERTISSEMENT ! : Risque de blessure ou d'étouffement ! Assurezvous que tous les emballages en plastique, sacs, petits morceaux, etc. soient jetés en toute sécurité et hors de la portée des enfants.

VEUILLEZ CONSERVER CES CONSIGNES

INSTALLATION

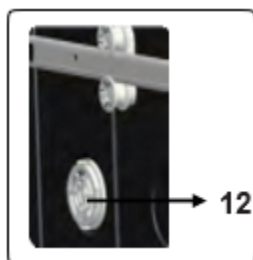
! AVERTISSEMENT : Veuillez suivre les précautions de base lorsque vous installez le lave-vaisselle, notamment les précautions suivantes :

Veuillez vérifier les normes et les codes locaux concernant l'endroit où les appareils électroménagers doivent être installés.

- L'installation, l'entretien et les réparations doivent être effectués par un installateur qualifié. Tout travail effectué par des personnes non qualifiées peut être dangereux et peut annuler la garantie.
 - N'utilisez pas l'appareil s'il est endommagé, défectueux, partiellement démonté ou s'il a des pièces manquantes ou cassées.
 - Débranchez l'alimentation électrique de la zone de travail en débranchant l'unité, en utilisant le disjoncteur ou en retirant le fusible, avant l'installation ou l'entretien de l'appareil électroménager.
 - Ne connectez le lave-vaisselle à l'alimentation électrique que lorsque tous les travaux d'installation et de plomberie sont terminés.
 - Ne connectez jamais le fil de terre aux conduites de gaz, aux conduites d'eau chaude ni aux conduites de plomberie.
 - N'installez pas et n'entrez pas le lave-vaisselle dans un endroit où il peut être exposé à des températures inférieures à zéro ou exposé aux intempéries.
 - Le lave-vaisselle doit être fixé aux placards adjacents à l'aide des supports fournis. Le non-respect de cette consigne peut entraîner des dommages matériels ou des blessures corporelles.
 - Afin d'éviter une surcharge électrique assurez-vous de connecter l'appareil électroménager à un circuit d'alimentation adéquate et protégé. Le lave-vaisselle est conçu pour une alimentation électrique de 120 V (volts), 60 Hz (hertz), CA, connecté à un circuit électrique dédié au lave-vaisselle correctement mis à la terre avec un fusible ou des disjoncteurs d'une capacité nominale 15 ampères.
- Les conducteurs d'alimentation électrique doivent être constitués d'au moins un fil de cuivre n° 16 AWG évalué à 75 °C (167 ° F) ou plus. Ces exigences doivent être respectées afin d'éviter toute blessure et que l'appareil électroménager ne soit endommagé. Veuillez consulter un électricien qualifié en cas de doute.
- N'utilisez pas de rallonge ni de prise de courant portable pour connecter le lave-vaisselle à une alimentation électrique.

! AVERTISSEMENT : Danger d'étouffement ! Assurez-vous que tous les emballages en plastique, sacs, petits morceaux, etc. soient jetés en toute sécurité et hors de la portée des enfants.

SPÉCIFICATIONS TECHNIQUES




Pression d'eau admissible	43.5-145psi (0.3 - 10 bars)
Branchement électrique	120 V (volts), 12 A (amps), 60Hz (hertz)
Puissance totale	1400 (W)
Puissance de chauffage	1100 (W)


AVIS : Nous nous efforçons continuellement d'améliorer nos produits, nous pouvons donc modifier nos spécifications et notre conception sans préavis. Cet appareil électroménager est conforme aux directives suivantes : Directive UL 749 relative aux lave-vaisselle à usage domestique.


AVANT D'UTILISER L'APPAREIL ÉLECTROMÉNAGER

Préparation du lave-vaisselle pour la première utilisation

- Assurez-vous que les spécifications d'électricité et de l'eau d'alimentation correspondent aux valeurs indiquées dans les instructions d'installation de l'appareil électroménager.
- Ouvrez la porte du lave-vaisselle.
- Retirez tout le matériel d'emballage à l'intérieur de l'appareil électroménager.
- Réglez le niveau de l'adoucisseur d'eau. (Voir le chapitre sur le réglage de l'adoucisseur d'eau) (selon le modèle).
- Réglez le dosage du liquide de rinçage (voir le chapitre sur le remplissage du liquide de rinçage et le réglage).
- Remplissez le réservoir de sel (voir le chapitre Remplissage du distributeur de sel pour le lave-vaisselle) (selon le modèle).
- Remplissez le compartiment de produit de rinçage. (Voir le chapitre sur le remplissage du produit de rinçage et le réglage).
- Placez la vaisselle conformément aux instructions indiquées dans le manuel d'utilisation.
- Mettez une quantité suffisante de détergent dans le distributeur de détergent. (Voir le chapitre sur le remplissage du détergent).
- Assurez-vous que la turbine du haut et du bas tourne librement.
- Sélectionnez le programme en fonction de la quantité de saleté (voir le chapitre contenant le tableau des programmes).
- Fermez la porte du lave-vaisselle. (Poussez les paniers vers l'intérieur. Ensuite, soulevez la porte vers le haut et poussez-la jusqu'à ce qu'elle s'enclenche).

 **MISE EN GARDE** : Assurez-vous que votre main ne soit pas coincée ou écrasée entre la porte et l'appareil électroménager afin d'éviter toute blessure

 **AVERTISSEMENT** : Toutes les fonctions sont automatiquement interrompues si vous ouvrez la porte pendant que l'appareil fonctionne

 **MISE EN GARDE** : Il peut y avoir une fuite de vapeur chaude lorsque vous ouvrez la porte de l'appareil électroménager. Faites attention de ne pas vous blesser.

Réglage de l'adoucisseur d'eau (selon le modèle)

Le lave-vaisselle a besoin d'eau douce pour effectuer un nettoyage correct. L'eau dure entraîne une accumulation de dépôts de calcium sur la vaisselle et dans le lave-vaisselle. Le lave-vaisselle dispose d'un système spécial d'adoucissement de l'eau pour éliminer la dureté de l'eau du robinet. Le réglage correct de ce système augmentera l'efficacité du lavage.


L'eau ayant un niveau de dureté supérieur à 9 °f (dureté de l'eau française) doit être adoucie.

Si le niveau de dureté de l'eau que vous utilisez est supérieur à 9 °f (norme française pour la dureté de l'eau) ou si vous utilisez de l'eau de puits, il est recommandé d'utiliser des filtres et des appareils de purification de l'eau.

Le lave-vaisselle est programmé au niveau du réglage d'usine 1 (inactivé) de la dureté de l'eau. Si ce réglage correspond à la dureté de votre eau, vous n'avez rien d'autre à faire.

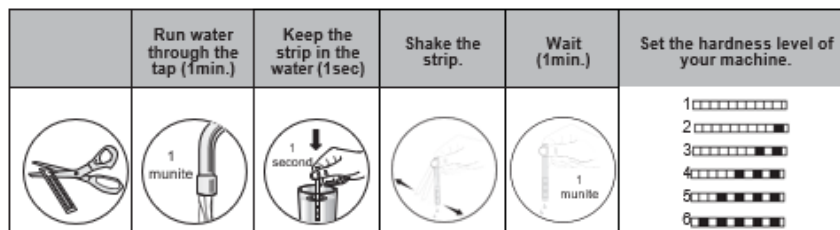
Le lave-vaisselle doit être programmé pour la dureté de l'eau de votre région.

Pour connaître le niveau de dureté de l'eau de votre région, contactez le service des eaux local ou déterminez le niveau de dureté de l'eau à l'aide de la bandelette de test fournie.

 **AVERTISSEMENT** : Si vous déménagez dans un endroit différent, le niveau de dureté de l'eau sera peut-être différent. Il est essentiel de régler à nouveau la dureté de l'eau afin d'obtenir une qualité de lavage optimale.

Bandelette de test (pour les modèles avec adoucisseur d'eau)

La qualité du lavage du lave-vaisselle dépend de la douceur de l'eau du robinet. À cet effet, votre machine est équipée d'un système qui réduit la dureté de l'alimentation en eau principale. Ainsi, l'efficacité du lavage augmente lorsque le système est correctement réglé. Pour connaître le niveau de dureté de l'eau dans votre région, contactez le service local d'approvisionnement en eau ou déterminez-le par vous-même à l'aide de la bandelette d'analyse (si disponible). Suivez les étapes indiquées sur le dessin pour utiliser la bande-lette de test.



⚠ AVERTISSEMENT : Si l'eau utilisée provient d'un puits ou possède un niveau de dureté supérieur à 9 °F, nous vous recommandons d'utiliser un filtre ou des dispositifs de raffinement.

Tableau de dureté de l'eau

Niveau	Allemand °dH	Français °f	Anglais Britannique °E	Indicateur
1	0-5	0-9	0-6	L1 apparaît à l'écran.
2	6-11	10-20	7-14	L2 apparaît à l'écran.
3	12-17	21-30	15-21	L3 apparaît à l'écran.
4	18-22	31-40	22-28	L4 apparaît à l'écran.
5	23-31	41-55	29-39	L5 apparaît à l'écran.
6	35-50	56-90	40-63	L6 apparaît à l'écran.

Réglez la dureté de l'eau de votre lave-vaisselle en fonction du niveau spécifié sur la bandelette de test (si disponible).

REMARQUE : Le niveau de dureté est réglé sur le niveau 1 en usine.

REMARQUE : Si vous n'utilisez que des produits combinés dans votre lave-vaisselle, vous pouvez modifier le niveau d'adoucissant.

Indicateur de sel

Veillez vérifier l'indicateur de sel sur le panneau de commande pour voir s'il y a une quantité adéquate de sel adoucissant dans le lave-vaisselle ou non. Vous devez remplir le réservoir de sel avec du sel chaque fois que l'indicateur d'avertissement de sel apparaît sur le panneau de commande de votre machine.

Pour modifier le niveau de sel, suivez les étapes ci-dessous:

1. Ouvrez la porte de la machine,
2. Appuyez et maintenez enfoncée la touche « Départ/Pause + Marche/Arrêt » pendant 3 secondes.
3. La machine émet un avertissement sonore lorsqu'elle est allumée.
4. Appuyez et maintenez enfoncées les touches « Sélection de programme + Annuler » jusqu'à ce que « SL » soit représenté sur l'écran, l'écran, la machine affichera le dernier réglage,
5. La quantité de sel est ajustée en appuyant sur la touche « Sélection de programme + Annuler ».
6. Après le réglage, éteignez (en appuyant sur la touche Départ/Pause + Marche/Arrêt) la machine pour enregistrer la quantité de sel sélectionnée.

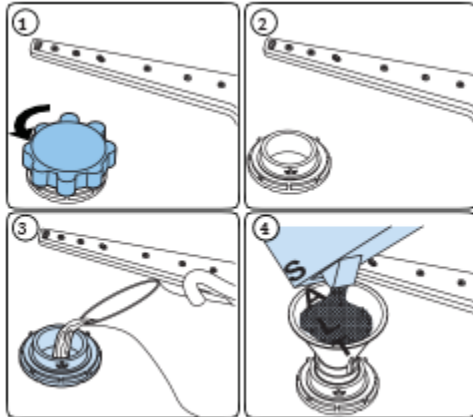
Remplissage du distributeur de sel du lave-vaisselle) (selon le modèle).

⚠ AVERTISSEMENT : Les sels culinaires et de table ne se dissolvent pas facilement dans l'eau, l'utilisation de ce type de sels endommagera le système d'adoucisseur d'eau du lave-vaisselle.

👉 REMARQUE : Le lave-vaisselle ne peut être utilisé qu'avec du sel spécialement conçu pour adoucir l'eau du lave-vaisselle. N'utilisez pas de gros sel ni de sel fin facilement soluble. L'utilisation de tout autre type de sel peut endommager le lave-vaisselle. Le fabricant n'est pas responsable des dommages résultant de l'utilisation du mauvais type de sel

⚠ AVERTISSEMENT : Le détergent pour lave-vaisselle endommagera l'assemblage de l'adoucisseur. Ne remplissez pas le réservoir de sel avec du détergent pour lave-vaisselle.

⚠ AVERTISSEMENT : Si l'eau de votre région est très douce et constamment inférieure à 9 °f (dureté de l'eau française), vous n'avez pas besoin d'ajouter du sel dans le lave-vaisselle.



1. Pour ajouter du sel adoucissant, retirez d'abord le panier inférieur et ouvrez le bouchon du compartiment à sel en le tournant dans le sens inverse des aiguilles d'un montre. (fig 1 et 2)

2. Veuillez d'abord remplir le compartiment avec 1 kg de sel et d'eau (fig 3) jusqu'au niveau du débordement. Si vous disposez d'un entonnoir, utilisez-le (fig 4) pour remplir le compartiment.

3. Remettez le bouchon et fermez-le.

⚠ WARNING: Starting the machine with any wash program is recommended after filling the salt container, in case of any spilled salt solutions. This prevents damage to the machine.

👉 NOTE: Fill the salt compartment with water only the first time you fill the salt compartment.

👉 NOTE: If the salt warning lamp on the control panel illuminates fill the salt compartment with salt again.

⚠ WARNING: Use softener salt specifically produced for use in dishwashers .

⚠ WARNING: If you switch to using detergent that does not contain salt or rinse-aid, it is important to remember to add dishwasher salt and rinse-aid.

Indicateur de remplissage de sel (selon le modèle)

AVERTISSEMENT : Si le voyant du sel s'allume pendant un programme, vous devez attendre la fin du programme pour remplir le réservoir de sel avec du sel pour lave-vaisselle.

Une fois le réservoir de sel rempli, l'indicateur de remplissage peut encore être allumé si la concentration de sel n'a pas encore atteint le niveau correct. Il s'éteint lorsque la concentration correcte est atteinte.

👉 REMARQUE : L'indicateur de remplissage de sel s'éteint si vous avez programmé le lave-vaisselle pour qu'il fonctionne avec une dureté d'eau inférieure à 9 °f.

Utilisation du détergent

AVERTISSEMENT : Utilisez un détergent spécialement conçu pour utilisation dans les lave-vaisselles domestiques.

- Vous pouvez vous procurer des détergents en poudre, en gel et en pastilles conçus pour les lave-vaisselles domestiques dans n'importe quel magasin.
- Assurez-vous de placer le détergent dans son compartiment avant de démarrer la machine.
- Ajoutez le détergent approprié pour le programme sélectionné pour assurer les meilleures performances du lave-vaisselle. Utilisez moins de détergent si la vaisselle n'est que légèrement sale. L'utilisation de trop de détergent peut laisser un film sur la vaisselle et dans le lave-vaisselle, ce qui peut entraîner une mauvaise qualité du lavage. N'utilisez pas de pastilles de détergent pour des cycles de lavage courts. La pastille peut ne pas se dissoudre complètement, et des résidus de détergent peuvent se déposer sur la vaisselle entraînant un lavage de mauvaise qualité.

REMARQUE : La quantité de détergent nécessaire dépend du cycle, de la quantité de vaisselle et du niveau de saleté de la vaisselle. L'ajout de trop de détergent dans de l'eau douce peut provoquer la corrosion du verre et le détergent peut ne pas se dissoudre dans l'eau.

AVERTISSEMENT : N'utilisez pas trop de détergent si l'eau est douce.

AVERTISSEMENT : Conservez votre détergent dans un endroit frais et sec et hors de portée des enfants. Référez-vous aux instructions du fabricant du détergent pour plus d'informations.

AVERTISSEMENT : Les pastilles de détergent ne se dissolvent pas complètement lors de l'utilisation des programmes courts.

Nous vous recommandons d'utiliser des pastilles avec des programmes longs afin d'éviter que des résidus de détergent ne restent sur la vaisselle.

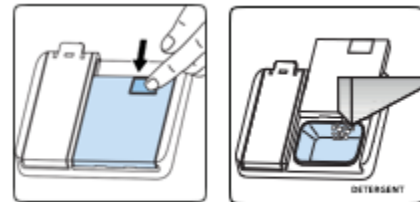
AVERTISSEMENT : N'utilisez pas de détergent dans le cycle de rinçage (selon le modèle).

Si vous ne connaissez pas la dureté de votre eau, utilisez 15 ml/3 c. à café de détergent. Augmentez la quantité de détergent si vous voyez des marques d'eau blanche, en particulier sur les verres. Pour de plus amples informations sur le type de détergent à utiliser, contactez directement les fabricants de détergent. Assurez-vous que le distributeur de détergent soit vide à la fin

Remplissage du détergent

REMARQUE : Le distributeur doit être rempli juste avant le début de chaque programme.

1. Appuyez sur le loquet pour ouvrir le réservoir de détergent comme indiqué sur l'image (fig 1).
2. Versez/mettez le détergent dans le distributeur (fig 2).
3. Le réservoir de détergent a des lignes de niveau à l'intérieur. Il est possible de mesurer la bonne quantité de détergent à l'aide de ces lignes. Le récipient peut contenir 40 cm³ de détergent. Ouvrez le détergent pour lave-vaisselle et versez dans le plus grand compartiment, 25 cm³ si votre vaisselle est très sale ou 15 cm³ si elle est moins sale. Vous devrez peut-être ajouter plus de détergent dans votre machine, selon le degré de saleté et le niveau de dureté de l'eau dans votre région.
4. Fermez le rabat du distributeur



(fig 1)

(fig 2)

REMARQUE : Le volet est toujours ouvert à la fin d'un programme.

AVERTISSEMENT : Suivez les instructions sur l'emballage du détergent lorsque vous utilisez un détergent liquide pour lave-vaisselle, un détergent en poudre concentré ou un détergent en tablette.

⚠ AVERTISSEMENT: les quantités peuvent varier si vous utilisez une poudre liquide ou concentrée détergent. Les détergents en tablette doivent être placés dans un contenant de détergent.

⚠ AVERTISSEMENT: des écarts sont possibles en fonction de la saleté de la vaisselle et la dureté de l'eau dans votre région.

⚠ AVERTISSEMENT: utilisez uniquement la quantité appropriée de détergent. L'utilisation continue de trop de détergent peut endommager la machine.

Utilisation de détergents combinés

Les fabricants de détergents fabriquent également des détergents combinés appelés 2 en 1, 3 en 1 et 5 en 1...

Les détergents 2 en 1 contiennent un détergent + du sel ou un produit de rinçage. Lors de l'utilisation des détergents 2 en 1, il faut observer les fonctions de la tablette.

Les autres détergents en tablette ont également du détergent + du produit de rinçage + du sel + diverses fonctions supplémentaires.

En général, les détergents combinés produisent des résultats satisfaisants dans certaines conditions. Ces détergents contiennent un agent de rinçage et/ou du sel en quantités prédéfinies.

Éléments à prendre en compte lors de l'utilisation de ce type de produits :

- Assurez-vous toujours de vérifier les spécifications du produit que vous utiliserez ou s'il s'agit ou non d'un produit combiné.
- Assurez-vous que le détergent utilisé convienne à la dureté de l'eau où le lave-vaisselle est utilisé.
- Respectez les instructions indiquées sur les emballages lors de l'utilisation de tels produits.
- Si ces détergents se présentent sous forme de pastilles, ne les mettez jamais dans la partie intérieure ou dans le panier à couverts du lave-vaisselle. Mettez toujours les tablettes dans le compartiment à détergent du distributeur de détergent.
- Ils produisent de bons résultats pour certains types d'utilisation uniquement. Si vous utilisez ce type de détergents, vous devez contacter le fabricant et vous renseigner sur les conditions d'utilisation.
- Lorsque les conditions d'utilisation de tels produits et les réglages du lave-vaisselle sont appropriés, ils garantissent des économies de consommation de sel et/ou de produit de rinçage.
- Contactez les fabricants de détergents si vous n'obtenez pas de bons résultats de lavage (si votre vaisselle reste calcaire et humide) après avoir utilisé des détergents 2 en 1 ou 3 en 1. L'étendue de la garantie du lave-vaisselle ne couvre pas les réclamations dues à l'utilisation de ce type de détergents.

Utilisation recommandée : Pour obtenir de meilleurs résultats lors de l'utilisation de détergents mixtes, ajoutez du sel et le produit de rinçage dans votre lave-vaisselle et ajustez le degré de dureté de l'eau et le degré de rinçage au niveau le plus bas.

MISE EN GARDE : La solubilité des détergents en pastilles produits par différentes sociétés peut varier en fonction de la température et de la durée du lavage. Par conséquent, il n'est pas recommandé d'utiliser de tels détergents pour les programmes courts. Il est plus approprié d'utiliser des détergents en poudre pour de tels programmes.

Avertissement : En cas de problème non rencontré auparavant et résultant de l'utilisation de ce type de détergents, veuillez contacter directement les fabricants de détergents.

Lorsque vous renoncez à utiliser des détergents combinés :

- Remplissez les compartiments à sel et à produit de rinçage.
- Réglez le réglage de la dureté de l'eau sur la position la plus élevée et effectuez un lavage à vide.
- Ajustez le niveau de dureté de l'eau.
- Effectuez le réglage du produit de rinçage approprié.

La température de l'eau

De l'eau chaude est nécessaire pour de meilleurs résultats de lavage et de séchage. L'eau entrant dans le lave-vaisselle doit être d'au moins 120°F (49°C) pour donner des résultats satisfaisants.

Pour vérifier la température de l'eau entrant dans le lave-vaisselle :

- Ouvrez le robinet d'eau chaude le plus proche du lave-vaisselle pendant plusieurs minutes pour éliminer l'eau froide des tuyaux.
- Tenez un bonbon ou un thermomètre à viande dans le jet d'eau pour vérifier la température.
- Si la température est inférieure à 120 °F (49 °C), demandez à un technicien qualifié d'augmenter le réglage du thermostat du chauffe-eau.

Utilisation du produit de rinçage

Rinse-aid makes dishes sparkle and helps them to dry without spotting. Rinse-aid is required for stain-free utensils and clear glasses.

Le produit de rinçage fait briller la vaisselle et l'aide à sécher sans tacher. Un produit de rinçage est nécessaire pour les ustensiles sans taches et les verres transparents.

- N'utilisez que du liquide de rinçage pour lave-vaisselle domestique.
- Remplir le réservoir de produit de rinçage avec du détergent endommagera le réservoir. Versez uniquement du produit de rinçage formulé pour les lave-vaisselle résidentiels dans le réservoir.

REMARQUE : Lorsque le voyant Rinse-Aid s'allume, le réservoir de produit de rinçage contient suffisamment de produit de rinçage pour 2 à 3 programmes uniquement. Lors de l'utilisation de détergents "Tab", aucun produit de rinçage n'est nécessaire.

Remplissage du produit de rinçage et réglage

1. Pour remplir le compartiment de produit de rinçage, ouvrez le bouchon du compartiment de produit de rinçage (Fig.A)
2. Remplissez le compartiment de produit de rinçage jusqu'au niveau MAX, puis fermez le bouchon. Veillez à ne pas trop remplir le compartiment du produit de rinçage et essayez tout déversement.
3. Fermez le capuchon jusqu'à ce qu'il s'enclenche. Sinon, de l'eau peut pénétrer dans le réservoir de produit de rinçage pendant un programme.

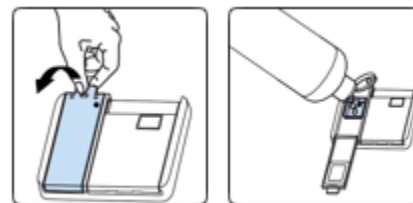


Fig. A

Pour modifier le niveau de produit de rinçage, suivez les étapes ci-dessous avant de mettre la machine en marche :

1. Ouvrez la porte de la machine.
2. Appuyez et maintenez enfoncée la touche « Départ/Pause + Marche/Arrêt » pendant 3 secondes.
3. La machine émet un avertissement sonore lorsqu'elle est allumée.
4. Appuyez et maintenez « Sélection de programme
5. Touche + Annuler » jusqu'à ce que "rA" s'affiche à l'écran. La machine affichera le dernier réglage.
6. La quantité de produit de rinçage est ajustée en appuyant sur la touche « Sélection de programme + Annuler ».
7. Après le réglage, éteignez (en appuyant sur la touche Départ/Pause + Marche/Arrêt) la machine pour enregistrer la quantité de produit de rinçage sélectionnée.

REMARQUE : Si la vaisselle ne sèche pas correctement, est tachée ou s'il y a une augmentation du niveau de taches bleues sur votre vaisselle, diminuez le niveau de produit de rinçage.

Niveau	Dose d'azurant	Indicateur
1	Rinçage - aide non distribuée	r1 s'affiche à l'écran.
2	1 dose est distribuée	r2 s'affiche à l'écran.
3	2 doses sont distribuées	r3 s'affiche à l'écran.
4	3 doses sont distribuées	r4 s'affiche à l'écran.
5	4 doses sont distribuées	r5 s'affiche à l'écran.

7 < 5 F ; 9 A 9 B H ' 8 I ' @ 5 J 9 ! J 5 = G G 9 @ @ 9

Si vous placez correctement la vaisselle dans le lave-vaisselle, vous l'utiliserez au mieux en termes de consommation d'énergie, de qualité de lavage et de séchage.

Vous pouvez charger dans le panier inférieur des articles ronds et profonds tels que des casseroles à longues poignées, des couvercles de casseroles, des assiettes, des assiettes à salade, des couverts. Le panier supérieur a été conçu pour les assiettes à dessert, les saladiers, les tasses et les verres. Lorsque vous placez des verres à pied longs et des gobelets, appuyez-les contre le bord du panier, le support ou le support de verre et non contre d'autres vaisselles. N'appuyez pas de longs verres les uns contre les autres car ils ne seront pas stables et pourront être endommagés. Il est plus approprié de placer les parties fines et étroites dans les sections médianes des paniers. Vous pouvez placer des cuillères parmi les autres couverts afin d'éviter qu'elles ne collent les unes aux autres.

Il est recommandé d'utiliser la grille à couverts afin d'obtenir la meilleure qualité de lavage. Afin d'éviter d'éventuelles blessures, placez toujours des articles ayant un long manche et les articles pointus comme les fourchettes de service ou les couteaux à pain, etc. en plaçant leurs pointes vers le bas ou horizontalement, sur les paniers.

▲ AVERTISSEMENT : Placez votre vaisselle dans votre lave-vaisselle de sorte qu'elle n'empêche pas les bras pulvérisateurs supérieurs et inférieurs de tourner.

REMARQUE : Placez tous les articles volumineux et très sales dans le panier inférieur.

▲ AVERTISSEMENT : Ne mettez pas d'articles susceptibles d'absorber de l'eau (éponges, torchons) dans le lave-vaisselle.

👉 REMARQUE : Placez tous les récipients tels que les tasses, les verres et les casseroles dans le lave-vaisselle avec l'ouverture vers le bas (afin que l'eau ne puisse pas s'accumuler).

👉 REMARQUE : La vaisselle et les couverts ne doivent pas être placés les uns au-dessus des autres.

👉 REMARQUE : Ne surchargez pas votre lave-vaisselle et veuillez respecter les instructions du fabricant concernant la vaisselle pouvant être lavée dans un lave-vaisselle. Ce n'est qu'avec de la vaisselle appropriée (voir la section 5) que vous obtiendrez les meilleurs résultats de lavage avec une consommation d'énergie raisonnable.

L'eau à haute température et le détergent pour lave-vaisselle peuvent former une synthèse chimique qui peut endommager certains articles.

▲ AVERTISSEMENT : Faites preuve de prudence lors du chargement et du déchargement d'objets pointus.

Chargez les couteaux tranchants avec les poignées vers le haut pour réduire le risque de blessures corporelles. Suivez les étapes ci-dessous avant de charger le lave-vaisselle.

1. Ouvrez la porte.

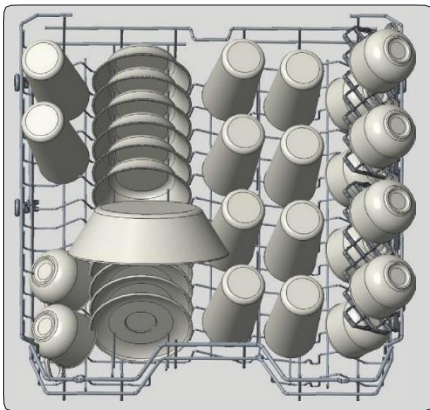
2. Retirez les restes de nourriture de la vaisselle.

3. Chargez le lave-vaisselle.

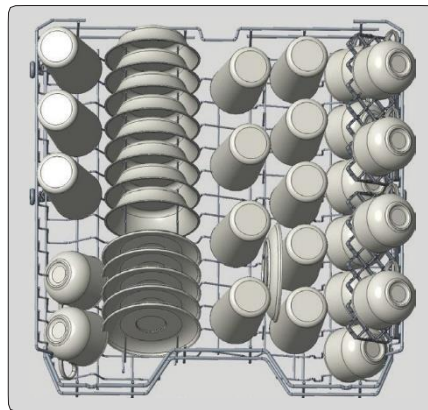
👉 REMARQUE : Toutes les fonctions sont automatiquement interrompues si vous ouvrez la porte pendant que l'appareil fonctionne. Les fonctions continueront de fonctionner une fois la porte fermée.

Panier supérieur

Chargez le panier supérieur avec des assiettes à dessert, des tasses, des verres, etc.



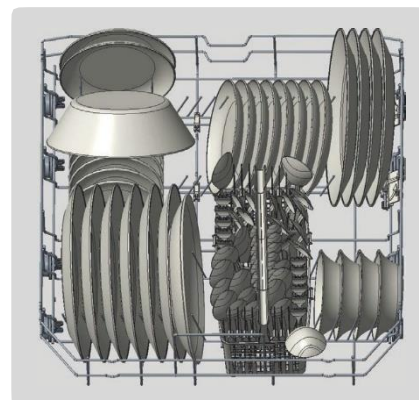
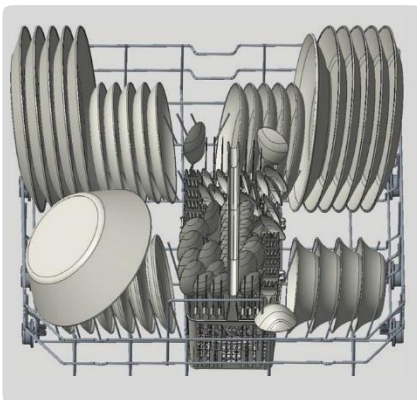
Modèle de chargement du panier supérieur pour 10 couverts



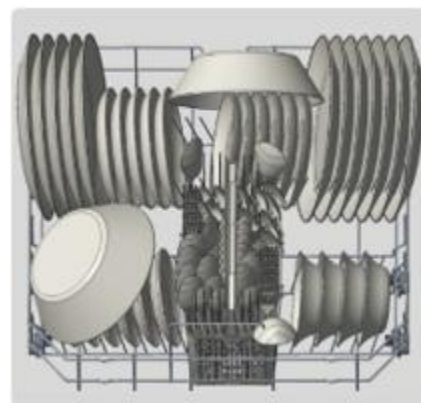
Modèle de chargement du panier supérieur pour 10 couverts

Panier inférieur

Vous pouvez charger dans le panier inférieur des articles ronds et profonds, tels que des casseroles à long manche, des couvercles de casseroles, des assiettes, des assiettes à salade, des ensembles de couverts. Le panier inférieur ne doit pas être utilisé pour de petits objets tels que des tasses, des verres à vin.



Modèles de chargement du panier inférieur pour 10 couverts.



Modèles de chargement du panier inférieur pour 12 couverts.

⚠ AVERTISSEMENT : Les grands couteaux et autres ustensiles avec des pointes et des bords tranchants doivent être placés horizontalement dans le panier supérieur en raison du risque de blessure. Les autres petits couteaux et ustensiles tranchants doivent être placés avec le côté tranchant vers le bas dans le panier à couverts.

🔍 REMARQUE : Assurez-vous que les gros articles n'interfèrent pas avec la rotation des bras gicleurs et n'empêchent pas le distributeur de détergent de s'ouvrir.

Chargement du panier à couverts (selon le modèle)

1 : Fourchette à salade
 2 : Cuillère à café
 3 : Fourchette à dîner
 4 : Couteau à manche solide
 5 : Cuillère de service
 6 : Fourchette de service

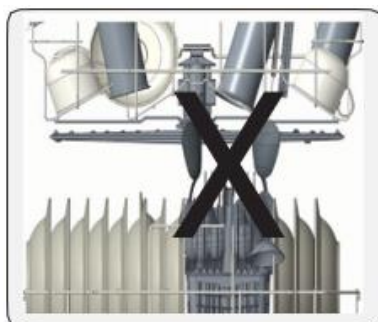
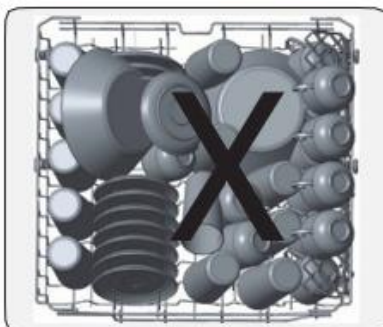
Modèle de charge du panier à couverts pour 12 couverts.

⚠ AVERTISSEMENT : Les couverts tranchants peuvent avoir changé de position pendant le lavage et peuvent également être mouillés et glissants. Retirez-les soigneusement afin d'éviter toute blessure.

🔍 REMARQUE : Les petits articles doivent donc être placés dans le plateau à couverts ou le panier à couverts (selon le modèle). Parce que les petits objets peuvent tomber à travers les supports des paniers.

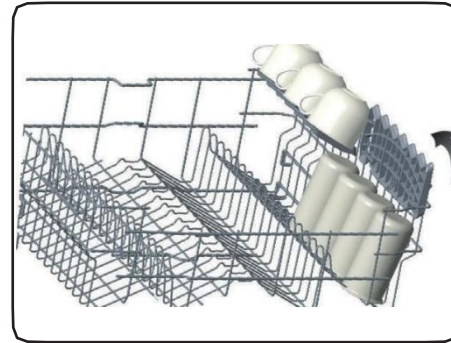
Chargements incorrects

Un chargement incorrect peut entraîner de mauvaises performances de lavage et de séchage. Veuillez suivre les recommandations du fabricant pour obtenir un bon résultat.



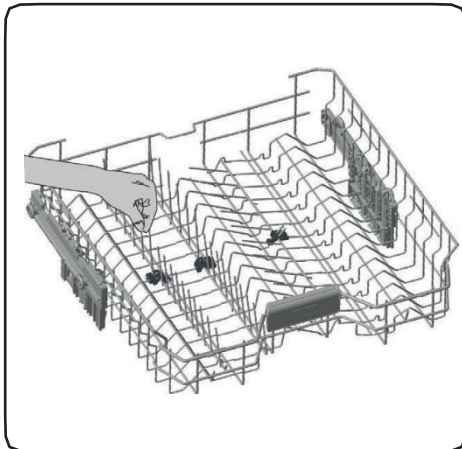
Panier supérieur réglable

- Ces racks sont conçus pour augmenter la capacité du rack supérieur. Vous pouvez placer vos tasses et verres sur ces supports. Grâce à la fonction réglable des étagères, vous pouvez placer des verres de différentes tailles sous les étagères.
- Des entretoises de réglage en hauteur montées sur le panier permettent d'utiliser les racks dans 2 positions différentes.
- Vous pouvez également placer de longs couteaux, fourchettes et cuillères sur ces supports horizontalement pour vous assurer qu'ils ne bloquent pas le mouvement des bras gicleurs.



Le fil horizontal du panier supérieur, situé sur le panier supérieur, vous permet de placer vos assiettes et bols là où vous le souhaitez. Vous pouvez également laver les ustensiles de cuisine tels que les casseroles et les poêles en fermant le fil horizontal.

REMARQUE : Amener les fils en position horizontale en les tenant par les pointes peut les faire plier. Par conséquent, il conviendra d'amener les fils du milieu en position horizontale ou verticale en les tenant de leurs tiges et en les poussant.



- Le mécanisme de réglage de la hauteur du panier sur le panier supérieur de votre machine est conçu pour vous permettre de régler la hauteur de votre panier supérieur vers le haut ou vers le bas, sans le retirer de votre machine lorsqu'il est plein, et de créer de grands espaces dans la zone supérieure ou inférieure de votre machine, au besoin.
- Le panier de votre machine est réglé en position haute dans les réglages d'usine. Afin de soulever votre panier, tenez-le des deux côtés et tirez-le vers le haut. Pour l'abaisser, tenez-le à nouveau des deux côtés et laissez-le.

REMARQUE : Assurez-vous que les deux leviers s'enclenchent dans la même position de hauteur.

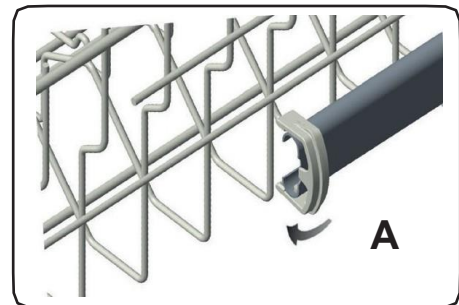
Réglage de la hauteur (selon le modèle)

Quand le panier est vide

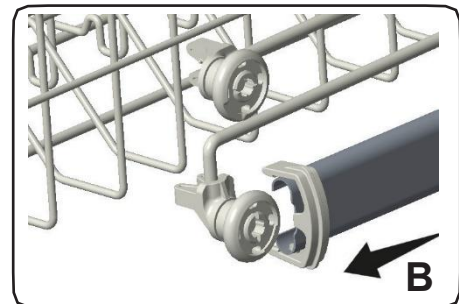
Sur certains modèles, le réglage de la hauteur du panier supérieur peut être modifié à l'aide des roues, qui sont présentes à deux niveaux de hauteur.

ATTENTION : Assurez-vous que le rack est vide. La modification du réglage de la hauteur alors que le panier contient de la vaisselle peut entraîner le délogement du contenu, causant des blessures ou endommageant la vaisselle.

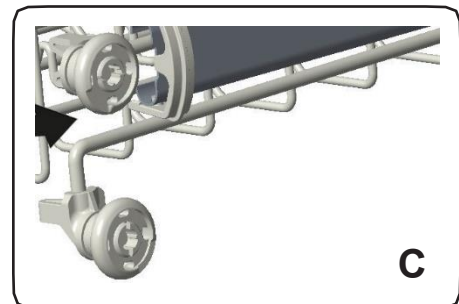
1. Libérez les loquets des rails droit et gauche du panier supérieur en les tournant vers l'extérieur (A).



2. Retirez complètement le rack (B).



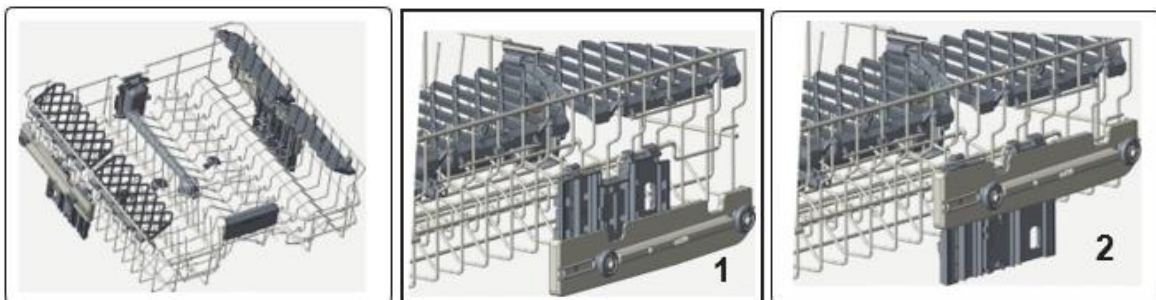
3. Replacez le rack dans les rails à la hauteur désirée (C).



4. Repoussez les loquets en position verrouillée.

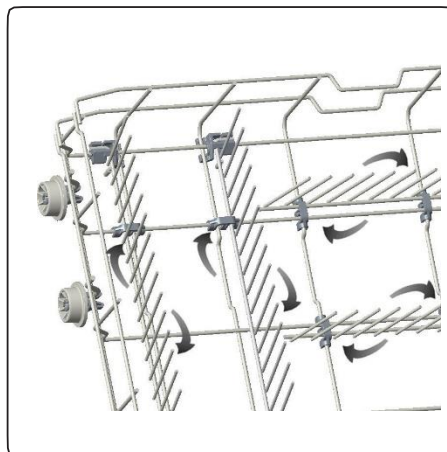
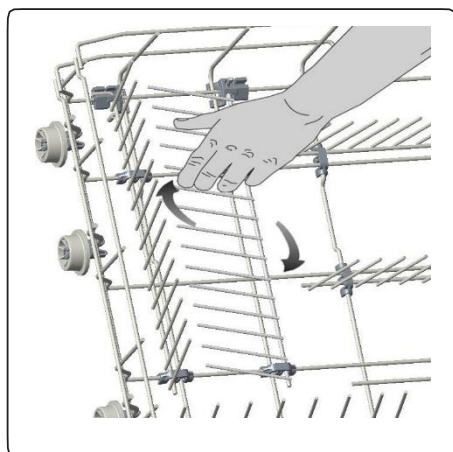
Lorsque le panier est rempli (selon le modèle)

Le panier supérieur comprend un mécanisme qui permet de régler la hauteur du panier vers le haut (1) ou vers le bas (2) sans avoir à retirer le panier. Tenez le panier des deux côtés et tirez-le vers le haut ou poussez-le vers le bas, en vous assurant que les deux côtés du panier supérieur sont dans la même position.



Bras repliables du panier inférieur

Les bras pliants, composés de quatre parties situées sur le panier inférieur de votre machine, sont conçus pour vous permettre de placer plus facilement de gros objets, tels que des casseroles, des poêles, etc. Chaque partie peut être pliée séparément, ou toutes peuvent être pliées pour créer des espaces plus grands. Vous pouvez utiliser les grilles pliantes en les soulevant vers le haut, ou en les pliant.



Panier à couverts (selon le modèle)

- Le panier à couverts est conçu pour laver vos couteaux, fourchettes, cuillères, etc. de manière plus organisée.
- Le panier à couverts étant déplaçable, vous pouvez créer un espace plus large en plaçant votre vaisselle dans le panier inférieur et libérer de l'espace pour vos plats de différentes tailles.

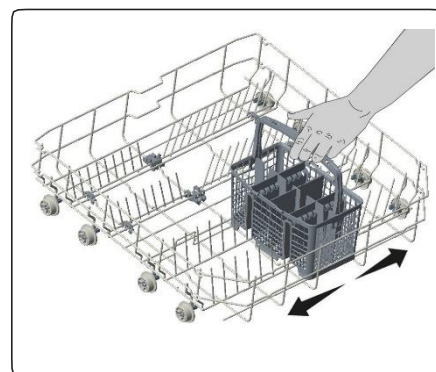


TABLEAU DES PROGRAMMES ET OPTIONS

Programmes		Durée (min)	Descriptifs
Regular	Sale	145	Programme standard pour une utilisation quotidienne, régulière ou typique pour laver complètement une charge de vaisselle normalement sale.
	Faire le ménage	122	
Auto	Sale	155	Ce programme ajuste automatiquement la température et la quantité d'eau, la consommation d'énergie et la durée du programme.
	Faire le ménage	110	
Intensive Plus		165	Convient pour la vaisselle très sale qui attend.
Intensive		130	Convient pour la vaisselle très sale.
Daily		117	Convient pour la vaisselle quotidienne normalement sale.
Delicate		90	Convient à la vaisselle délicate peu sale.
Super		50	Convient pour la vaisselle quotidienne normalement sale avec un programme plus rapide.
Rinse		15	Convient pour rincer la vaisselle que vous prévoyez de laver plus tard.

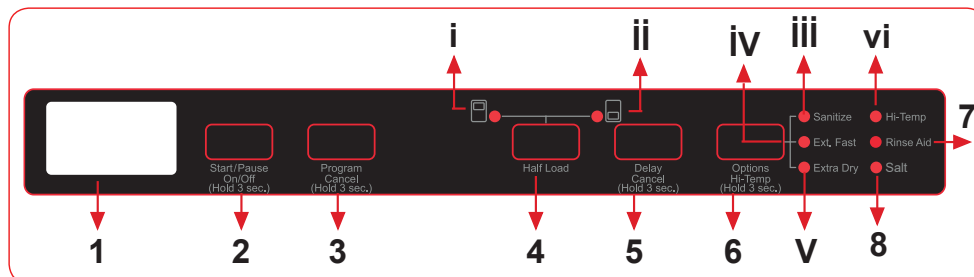
Compatibilité des programmes et options		Options				
		Half Load	Sanitize	Extra Fast	Extra Dry	Hi-Temp
Programmes	Regular	√	√	√	√	√
	Auto	√	√	√	√	√
	Intensive Plus	√	√	√	√	√
	Intensive	√	√	√	√	√
	Daily	√	√	√	√	√
	Delicate	√	X	√	√	X
	Super	√	√	X	√	√
	Rinse	√	X	X	X	X

REMARQUE : La durée du programme peut varier en fonction de la quantité de vaisselle, de la température de l'eau, de la température ambiante de la pièce et des fonctions supplémentaires sélectionnées.

REMARQUE : L'étiquette de consommation d'énergie est basée sur le programme « Régulier ». Ce programme est le plus efficace en termes de consommation combinée d'énergie et d'eau pour nettoyer la vaisselle normalement sale.

- Utilisez uniquement de la lessive en poudre pour les programmes courts.
- Les programmes courts n'incluent pas le séchage.
- Pour faciliter le séchage, nous vous recommandons d'ouvrir légèrement la porte à la fin d'un cycle.

FONCTIONNEMENT DE VOTRE APPAREIL



1. Afficher
2. Touche Marche/Arrêt + Marche/Pause
3. Sélection du programme + touche Annuler
4. Clé de demi-charge
 - i. Demi-charge du panier supérieur DEL
 - ii. DEL de demi-charge du panier inférieur
5. Clé de minuterie de retard
6. Clé d'options
 - iii. Voyant de fonction de désinfection
 - iv. LED de fonction extra-rapide
 - LED de fonction extra sèche
 - LED de fonction vi. Hi-Temp
7. Indicateur de produit de rinçage
8. Indicateur de sel

Clés

Touche marche/arrêt

Cette touche est utilisée comme touche On/Off si le bouton correspondant est maintenu enfoncé pendant 3 secondes. Sinon, il peut être utilisé comme touche Départ/Pause. Il sert à allumer ou éteindre la machine. La machine s'allumera avec le programme régulier et le numéro et la durée du programme régulier apparaîtront sur l'écran. Chacun des numéros de programme et la durée seront ensuite affichés pendant 2 secondes sur l'écran. En position Off, l'affichage s'éteindra.

Touche Démarrer/Pause

Il est utilisé pour démarrer ou mettre en pause un programme et des fonctions sélectionnés.

Touche de sélection/annulation de programme

- Il est utilisé pour sélectionner le programme de lavage approprié dans le tableau des programmes.
- La touche d'annulation est activée lorsque la touche Sélection/Annulation de programme est maintenue enfoncée pendant 3 secondes.

Clé demi-charge

Il est utilisé pour ajouter des fonctions de demi-charge au programme sélectionné.

Touche de temporisation

Il doit être enfoncé pour régler la temporisation.

Touche d'options

Il permet d'ajouter des fonctions auxiliaires au programme sélectionné.

Préparation de la machine

1. Ouvrez la porte du lave-vaisselle.
2. Placez la vaisselle conformément aux instructions de ce manuel d'utilisation.
3. Assurez-vous que les roues supérieure et inférieure tournent librement.
4. Mettez une quantité adéquate de détergent dans le distributeur de détergent.
5. Vérifiez si les voyants Sel et Produit de rinçage s'allument et ajoutez du sel et/ou du produit de rinçage, si nécessaire.

Sélection de programme

1. Appuyez sur la touche Marche/Arrêt pour allumer votre machine. Notez que la porte du lave-vaisselle est en position OUVRETE.
2. Référez-vous au « Tableau des programmes » pour déterminer un programme de lavage adapté à votre vaisselle.
3. Appuyez sur la touche de sélection de programme jusqu'à ce que le numéro du programme que vous avez sélectionné apparaisse à l'écran.

Pour démarrer le programme sélectionné, la touche Départ/Pause doit être enfoncée et la porte du lave-vaisselle doit être fermée dans les 4 secondes après avoir appuyé sur la touche Départ/Pause.

Si la porte n'est pas fermée dans les 4 secondes, la machine ne démarrera pas. Dans ce cas, pour démarrer le programme sélectionné, la porte doit être ouverte, la touche Départ/Pause doit être enfoncée et la porte doit être refermée dans les 4 secondes suivant l'appui sur la touche Départ/Pause.

Si la porte de la machine est ouverte lorsque la machine est en marche, la machine cesse de fonctionner. Si la porte est refermée dans les 4 secondes qui suivent l'ouverture de la porte, la machine continuera.

Si la porte reste ouverte pendant plus de 4 secondes, la touche Départ/Pause doit être enfoncée et la porte du lave-vaisselle doit être fermée dans les 4 secondes suivant l'appui sur la touche Départ/Pause.

Fonctions auxiliaires

Les programmes de lavage sont conçus pour obtenir le meilleur effet de nettoyage, compte tenu du type de salissure, du degré de salissure et des propriétés de la vaisselle à laver. Des fonctions auxiliaires sont fournies afin de vous permettre d'économiser du temps, de l'eau et de l'énergie et d'effectuer un lavage plus confortable avec des conditions qui vous sont propres.

1. Les fonctions auxiliaires peuvent modifier la durée du programme.
2. Les fonctions auxiliaires ne conviennent pas à tous les programmes de lavage. Le lave-vaisselle émettra un son d'avertissement et la fonction auxiliaire ne s'activera pas si elle est utilisée avec un programme de lavage incompatible.

Pour ajouter une fonction auxiliaire au programme :

1. Sélectionnez le programme de lavage souhaité en appuyant sur la touche Sélection de programme.
2. Dans le programme de lavage sélectionné, si une fonction auxiliaire est sélectionnée, la LED de fonction correspondante s'allumera. Si la touche Demi-charge ou Options est à nouveau enfoncée, la LED correspondante d'une autre fonction auxiliaire s'allumera.
3. La sélection de la fonction auxiliaire sera annulée lorsque vous appuyez sur le bouton Demi-charge ou Options jusqu'à ce que le voyant de l'option sélectionnée s'éteigne.

Option de désinfection

La fonction de désinfection augmente la température de l'eau lors du rinçage final.

1. À la fin d'une désinfection réussie, "00" s'affiche.
2. « Les programmes et options disponibles sont indiqués dans les tableaux du tableau des programmes et des options.

Option extra rapide

Sélectionnez l'option Extra Fast pour réduire la durée d'un programme de lavage, offrant ainsi une consommation d'eau plus économique.

Fonction extra sèche

La machine modifie la température de l'eau à partir de la valeur décrite pour chaque programme différent et le séchage supplémentaire est effectué.

Fonction haute température

Sélectionnez l'option Hi-Temp en appuyant sur la touche Options pendant 3 secondes. Lorsque cette option est sélectionnée, la température de l'eau et le temps de lavage sont augmentés.

Fonction demi-charge

Il est utilisé pour faire fonctionner la machine sans la charger complètement.

1. Chargez votre vaisselle dans la machine à votre guise.
2. Allumez la machine avec la touche Marche/Arrêt.
3. Sélectionnez le programme souhaité et appuyez sur la touche Demi-charge. L'indicateur Demi-charge s'allumera sur l'affichage.
4. Appuyez sur la touche Départ/Pause pour démarrer le programme sélectionné et fermez la porte de la machine.
5. Avec la fonction Demi-charge, vous pouvez économiser de l'énergie tout en utilisant les paniers inférieur et/ou supérieur de la machine.

Programmation du temps de lavage

Temporisateur

La fonction Delay Timer peut être utilisée pour laver votre vaisselle pendant les heures appropriées. Vous pouvez retarder le démarrage du programme sélectionné jusqu'à 19 heures. La minuterie de retard ne peut pas être réglée après le démarrage du programme.

Pour régler le temporisateur :

1. Appuyez sur la touche de fonction Delay Timer après avoir sélectionné le programme de lavage et les autres fonctions auxiliaires.
2. Une fois que vous avez appuyé sur la touche Delay Timer, l'écran affichera "1h" et l'écran affichera le numéro de programme, la durée du programme et le délai d'attente alternativement pendant 2 secondes.
3. Réglez l'heure souhaitée en appuyant sur la touche Delay Timer. Le temps augmentera par incréments de 1 heure à chaque fois que vous appuyez sur la touche.
4. Pour démarrer le programme sélectionné avec retard, appuyez sur la touche Départ/Pause et fermez la porte du lave-vaisselle dans les 4 secondes.

REMARQUE : L'utilisation de la temporisation a un cas particulier. Supposons que vous ayez sélectionné un programme avec retard et que vous ayez appuyé sur la touche Départ/Pause. Après un certain temps, vous avez ouvert la porte de la machine. Si la porte de la machine est fermée dans les 4 secondes, la machine redémarre pendant la durée de la temporisation. Si la porte n'est pas fermée dans les 4 secondes, la machine interrompt la temporisation. Dans ce cas, pour continuer la temporisation, la porte doit être ouverte, la touche Départ/Pause doit être enfoncée et la porte doit être refermée dans les 4 secondes suivant l'appui sur la touche Départ/Pause.

Modification des paramètres lorsque la minuterie de délai est activée :

Lorsque la fonction Delay Timer est activée, vous ne pouvez pas modifier le programme de lavage, les fonctions auxiliaires ou la durée de la temporisation.

Pour annuler la fonction Delay Timer :

1. Ouvrez la porte du lave-vaisselle.
 2. Appuyez sur la touche Program Delay Timer et maintenez-la enfoncée pendant 3 secondes.
 3. Au bout de 3 secondes, le processus de temporisation sera annulé.
- une. Vous pouvez sélectionner et démarrer un nouveau programme après l'annulation de la fonction Delay Timer.
- b. La fonction Delay Timer ne peut pas être réglée après le démarrage du programme.

Démarrage du programme

- Ouvrez la porte de votre machine, sélectionnez le programme et les fonctions auxiliaires appropriés, appuyez sur la touche Départ/Pause + Marche/Arrêt et fermez la porte dans les 4 secondes.
 - Une fois le programme démarré, le temps estimé restant jusqu'à la fin du programme s'affichera à l'écran.
- . Votre machine effectue l'adoucissement de l'eau en fonction du niveau de dureté de l'eau d'alimentation (selon le modèle). Le temps restant affiché vers la fin dans certains programmes peut être différent du temps indiqué au début en raison de ce processus. La durée totale peut également changer pendant le déroulement du programme, en fonction de la température ambiante où votre machine est installée, de la température de l'eau d'alimentation et de la quantité de vaisselle.
- . Essayez de ne pas ouvrir la porte de la machine lorsqu'elle est en marche. Arrêtez la machine en appuyant sur la touche Départ/Pause dès que la porte de la machine est ouverte. Dans d'autres situations, la machine s'arrêtera automatiquement après 4 secondes lorsque la porte de la machine est ouverte et qu'aucune touche n'est enfoncée.
- . Si la porte est ouverte pendant que la machine est en marche, la machine passe en mode veille. Appuyez sur la touche Départ/Pause et fermez la porte de la machine dans les 4 secondes, puis le programme reprendra.

Annulation du programme

1. Appuyez sur la touche Sélection + Annuler pendant 3 secondes pour annuler le programme.
2. Après 3 secondes, « 1 » apparaîtra sur l'affichage. Pendant quelques minutes, la machine effectuera les opérations nécessaires à l'annulation du programme.
3. Il peut y avoir des résidus de détergent ou de produit de rinçage dans la machine et/ou sur les pièces à laver, selon l'étape à laquelle se trouvait le programme que vous avez annulé.

Indicateur de sel (selon le modèle)

Veillez vérifier l'indicateur de sel sur le panneau de commande pour voir s'il y a une quantité suffisante de sel adoucissant dans le lave-vaisselle. Vous devez remplir le réservoir de sel avec du sel chaque fois que l'indicateur d'avertissement de sel apparaît sur le panneau de commande de votre machine.

Indicateur de produit de rinçage

Veillez vérifier l'indicateur de produit de rinçage sur le panneau de commande pour voir s'il y a une quantité suffisante de produit de rinçage dans le lave-vaisselle. Vous devez remplir le réservoir de produit de rinçage avec du produit de rinçage chaque fois que l'indicateur d'avertissement de produit de rinçage apparaît sur le panneau de commande de votre machine.

Fin du programme

"00" s'affichera à la fin du programme de lavage.

1. Ouvrez la porte de la machine.
 2. Appuyez sur la touche Départ/Pause + Marche/Arrêt pour éteindre votre machine.
- une. Laissez votre vaisselle dans la machine pendant environ 15 minutes pour qu'elle refroidisse une fois lavée. Votre vaisselle séchera plus rapidement si vous laissez la porte de votre machine entrouverte pendant cette période. Ce processus augmentera l'efficacité de séchage de votre machine.

Avertissement de coupure d'eau

Si l'alimentation principale en eau est coupée ou si le robinet d'arrivée d'eau est fermé, la machine ne peut pas aspirer d'eau et "FF" clignotera en continu sur l'écran. Le programme de lavage sera interrompu tant que le problème persistera. Vérifiez l'arrivée d'eau. Lorsque l'arrivée d'eau reprend et fonctionne, après un certain temps, la machine sera prête à démarrer un nouveau programme de lavage.

Avertissement de débordement

Si la machine aspire trop d'eau ou s'il y a une fuite au niveau de l'un des composants, la machine le détectera et "F1" clignotera sur l'écran. Tant que le débordement persiste, un algorithme de sécurité programmé tentera d'évacuer l'eau. Si le débordement s'arrête et que la sécurité est assurée, "F1" disparaîtra. Si "F1" ne disparaît pas, il y a un défaut permanent. Dans ce cas, le fournisseur de services autorisé doit être contacté.

ENTRETIEN ET NETTOYAGE

⚠ ATTENTION : Avant de nettoyer ou d'effectuer l'entretien, éteignez l'appareil, débranchez l'alimentation électrique et fermez le robinet d'eau.

Votre lave-vaisselle ne peut être réparé que par un agent de service agréé. N'essayez PAS de réparer votre machine à moins que ce ne soit recommandé par ce manuel

⚠ ATTENTION : Toutes les surfaces sont sensibles aux rayures. Le contact avec des produits de nettoyage inappropriés peut altérer ou décolorer toutes les surfaces.

⚠ AVERTISSEMENT : Gardez le sol autour de votre lave-vaisselle propre et sec pour éviter toute blessure possible. Pour garder votre lave-vaisselle propre, nous vous recommandons de vider et de laisser la porte ouverte pour permettre à l'air de circuler, si la machine reste inutilisée pendant une période prolongée.

La porte du lave-vaisselle peut être endommagée par des nettoyants abrasifs, des tampons à récurer et des chiffons abrasifs. Le nettoyage de la machine à intervalles réguliers prolonge la durée de vie de la machine. De l'huile et du calcaire peuvent s'accumuler dans la section de lavage de la machine.

• En cas de cumul :

o Remplissez le bac à lessive sans mettre de vaisselle dans la machine, sélectionnez un programme fonctionnant à haute température et démarrez la machine. En cas d'insuffisance, utiliser du matériel de nettoyage spécial disponible sur le marché. (Matériau de nettoyage produit spécialement pour les machines par les fabricants de détergents.)

• Nettoyer les joints de la porte de la machine :

o Essuyez régulièrement les joints à l'aide d'un chiffon humide.

• Nettoyage de la machine :

o Nettoyez les filtres et les bras gicleurs au moins une fois par mois.

o Débranchez votre machine et coupez son alimentation en eau avant de commencer le nettoyage.

o N'utilisez pas de matériaux durs pour nettoyer votre machine. Essuyez avec un produit de nettoyage fin et un chiffon humide.

Filtres

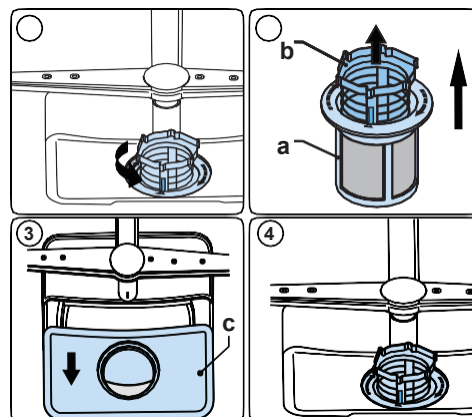
Vérifiez si des déchets alimentaires sont restés sur les filtres gros et fins. S'il reste des déchets alimentaires, retirez les filtres et nettoyez-les soigneusement sous le robinet d'eau.

Filtre

a. Micro filtre

b. Gros Filtre

c. Métal/Plastique

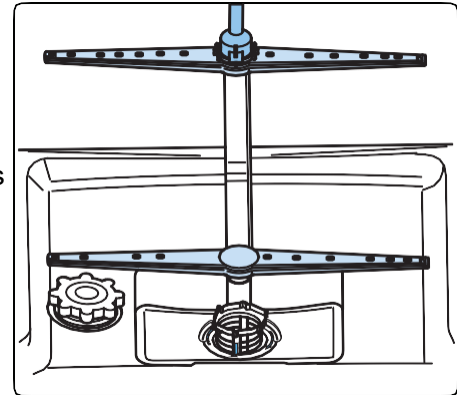


Bras d'aspersion

Assurez-vous que les trous des bras d'aspersion supérieur et inférieur ne soient pas obstrués. En cas de colmatage, retirez les bras d'aspersion et nettoyez-les sous l'eau.

Vous pouvez retirer le bras d'aspersion inférieur en le tirant vers le haut, tandis que l'écrou du bras d'aspersion supérieur peut être retiré en tournant l'écrou vers la gauche.

Assurez-vous que l'écrou soit parfaitement serré lors du remontage du bras d'aspersion supérieur.

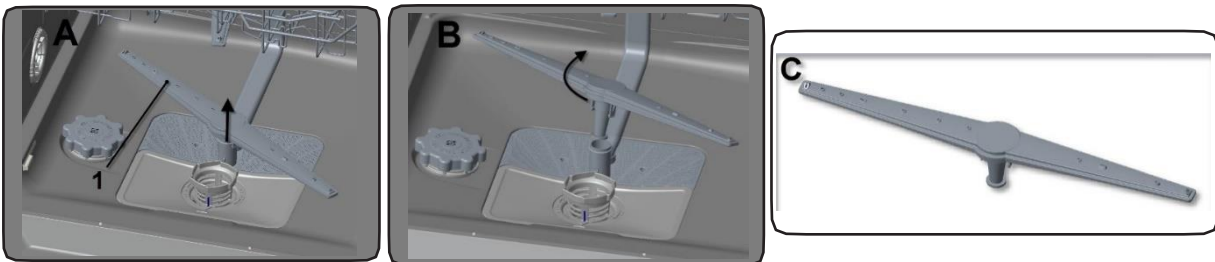


Nettoyage des hélices

Nettoyez les roues au moins une fois par semaine pour que la machine fonctionne efficacement.

Turbine inférieure

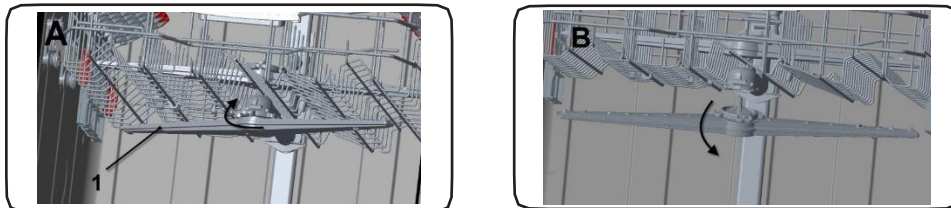
Vérifiez si les trous de la roue inférieure (1) sont bouchés. S'ils sont obstrués, retirez et nettoyez la roue. Tirez la roue inférieure vers le haut pour la retirer (A, B.)



TURBINE SUPÉRIEURE

Assurez-vous que les trous de la turbine supérieure

1 ne soient pas obstrués. S'ils sont obstrués, retirez et nettoyez la turbine. Tournez son écrou vers la gauche pour déplacer la turbine supérieure (A, B) Assurez-vous que l'écrou soit bien serré lors de l'installation de la turbine supérieure.



QUE NE FAUT-IL PAS LAVÉ DANS VOTRE LAVE-VAISSELLE ?

- Tous les articles à placer dans le lave-vaisselle doivent pouvoir être lavés dans un lave-vaisselle.
- Seuls les plastiques portant une étiquette « peut être lavé dans un lave-vaisselle » ou toute étiquette équivalente, peuvent être lavés dans un lave-vaisselle. Les plastiques peuvent perdre leur forme ou leur couleur. Veuillez consulter le fabricant pour obtenir des recommandations.
- Les plats en bois ou composés de pièces en bois ne doivent pas être lavés dans un lave-vaisselle. Les températures élevées peuvent faire gonfler ou fissurer le bois.
- Les articles en argent ne portant pas d'étiquette « peut être lavé dans un lave-vaisselle » ne doivent pas être lavés dans un lave-vaisselle car les températures élevées et le détergent peuvent endommager l'argent. Veuillez consulter le fabricant pour obtenir des recommandations.
- Les articles en argent et les articles en acier inoxydable lavables dans un lave-vaisselle ne doivent pas entrer en contact, car l'argent pourrait se décolorer.
- La porcelaine et la verrerie avec des décorations et des ustensiles peints à la main peuvent perdre leur couleur et leurs motifs en raison des températures élevées. Les articles non décorés peuvent être lavés dans un lave-vaisselle. Veuillez consulter le fabricant pour obtenir des recommandations.
- L'aluminium lavé dans un lave-vaisselle peut devenir sombre en raison de la chaleur, du détergent utilisé ou même de certains minéraux dans votre eau.
- Ne lavez pas d'éponges ni de torchons dans le lave-vaisselle.
- Ne lavez aucun article en acrylique, en cuivre, en laiton, en étain, en fer, en bronze ou en tain.
- Les casseroles sans revêtement antiadhésif peuvent être nettoyées en toute sécurité dans le lave-vaisselle, mais certaines casseroles et poêles antiadhésives peuvent perdre leur revêtement antiadhésif.
- La vaisselle ou les couverts collés ne doivent pas être lavés dans un lave-vaisselle car les adhésifs qui relient des matériaux tels que le plastique, le bois, l'os, l'acier, le cuivre, l'étain, etc. peuvent se détacher. N'oubliez pas qu'en cas de doute sur tout aspect concernant les articles à laver au lave-vaisselle, suivez les instructions du fabricant des articles ou lavez les articles à la main.

⚠ AVERTISSEMENT : En cas de doute, lavez les articles à la main ou suivez les instructions du fabricant des ustensiles, de la vaisselle, des verres ou des casseroles et poêles. Ne lavez pas d'articles souillés de cendre de cigarette, de cire de bougie, de vernis, de peintures ou de produits chimiques car ils peuvent endommager le lave-vaisselle.

⚠ AVERTISSEMENT : Videz d'abord le panier inférieur, puis le panier supérieur. Cela évitera que de l'eau ne s'écoule du panier supérieur sur la vaisselle placée dans le panier inférieur.

⚠ AVERTISSEMENT : En général, il n'est pas conseillé d'ouvrir la porte pendant que le lave-vaisselle est en marche. Si la porte est ouverte, un dispositif de sécurité arrête le lave-vaisselle. Veuillez faire preuve de prudence lorsque vous ouvrez la porte immédiatement après le cycle, car de la vapeur peut s'échapper.

DÉPANNAGE

FAULT	CAUSE POSSIBLE	DÉPANNAGE
Le programme ne démarre pas.	Votre lave-vaisselle n'est pas branché.	Branchez votre lave-vaisselle.
	Votre lave-vaisselle n'est pas allumé.	Allumez le lave-vaisselle en appuyant sur la touche Marche/Arrêt.
	Fusible grillé.	Vérifiez votre disjoncteur.
	Robinet d'entrée de l'eau fermé.	Ouvrez le robinet d'alimentation en eau.
	La porte de votre lave-vaisselle est ouverte.	Fermez la porte du lave-vaisselle.
	Le tuyau d'entrée d'eau et les filtres de l'appareil sont bouchés.	Vérifiez le tuyau d'arrivée d'eau et les filtres de l'appareil et assurez-vous qu'ils ne sont pas bouchés.
L'eau reste à l'intérieur de l'appareil.	Le tuyau d'évacuation de l'eau est bouché ou tordu.	Vérifiez le tuyau de vidange, puis nettoyez-le ou dépliez-le.
	Les filtres sont encrassés.	Nettoyez les filtres.
	Le programme n'est pas encore terminé.	Attendez la fin du programme.
L'appareil s'arrête durant le lavage.	Panne de courant.	Vérifiez l'alimentation secteur.
	Panne d'alimentation en eau.	Vérifiez le robinet.
Si des bruits de secousses et de choc sont audibles durant l'opération de lavage.	Le bras de lavage touche la vaisselle dans le panier inférieur.	Déplacez ou retirez les objets qui bloquent le bras de lavage.
Des déchets alimentaires restent partiellement sur la vaisselle.	La vaisselle était mal placée, et l'eau pulvérisée n'a pas pu atteindre les plats concernés.	Ne surchargez pas les paniers.
	Les plats s'appuient les uns contre les autres.	Placez les plats comme indiqué dans la section sur le chargement de votre lave-vaisselle.
	Pas assez de détergent utilisé.	Utilisez la bonne quantité de détergent, comme indiqué dans le tableau des programmes.
	Programme de lavage sélectionné incorrect.	Utilisez les informations dans le tableau des programmes pour sélectionner le programme le plus approprié.
	Bras de lavage encrassé de restes de nourriture.	Nettoyez les trous dans les bras de lavage avec des objets minces.
	Filtres ou pompe d'évacuation de l'eau encrassés, ou filtre mal placé.	Vérifiez que le tuyau de vidange et les filtres sont correctement installés.

FAULT	CAUSE POSSIBLE	DÉPANNAGE
Des taches blanchâtres restent sur la vaisselle.	Pas assez de détergent utilisé.	Utilisez la bonne quantité de détergent, comme indiqué dans le tableau des programmes.
	Dosage trop bas du liquide de rinçage et/ou de l'adoucisseur d'eau.	Augmentez le niveau de liquide de rinçage ou d'adoucisseur d'eau.
	Niveau de dureté de l'eau élevé.	Augmentez le niveau d'adoucisseur d'eau et ajoutez du sel.
	Le compartiment de sel n'est pas bien fermé.	Vérifiez que le bouchon du compartiment de sel est bien fermé.
La vaisselle ne sèche pas.	L'option de séchage n'est pas sélectionnée.	Sélectionnez un programme avec une option de rinçage.
	Le dosage du liquide de rinçage est trop faible.	Augmentez le réglage de dosage du liquide de rinçage.
Des taches de rouille se forment sur la vaisselle.	La qualité de l'acier inoxydable de la vaisselle n'est pas suffisante.	Utilisez uniquement des ustensiles qui passent au lave-vaisselle.
	Haut niveau de sel dans l'eau de lavage.	Ajustez le niveau de dureté de l'eau en utilisant le tableau de dureté de l'eau.
	Le compartiment de sel n'est pas bien fermé.	Vérifiez que le bouchon du compartiment de sel est bien fermé.
	Trop de sel déversé dans le lave-vaisselle lors du remplissage du sel.	Utilisez un entonnoir pendant le remplissage de sel dans le compartiment pour éviter les fuites.
	Mauvaise mise à la terre.	Consultez immédiatement un électricien qualifié.
Du détergent reste dans le compartiment à détergent.	Du détergent a été ajouté lorsque le compartiment à détergent était mouillé.	Assurez-vous que le compartiment de détergent est sec avant utilisation.

Si votre appareil présente d'autres symptômes que ceux décrits ci-dessus, ou si vous avez vérifié tous les éléments répertoriés comme étant la cause et que le problème persiste, appelez le service à la clientèle Summit Appliance au **1-800-932-4267**.

AVERTISSEMENTS AUTOMATIQUES DES PANNES ET MESURES À PRENDRE

CODE DE LA PANNE	PANNE POSSIBLE	MESURES À PRENDRE
FF	Panne du système d'arrivée d'eau	Assurez-vous que le robinet d'arrivée d'eau soit ouvert et que l'eau coule.
		Démontez le tuyau d'arrivée du robinet et nettoyez le filtre du tuyau.
		Contactez un technicien si la panne persiste.
F5	Panne du système de pression	Contactez un technicien.
F3	Entrée d'eau continue	Fermez le robinet et contactez un technicien.
F2	L'eau ne se vidange pas	Le tuyau d'évacuation de l'eau et les filtres peuvent être obstrués.
		Annulez le programme.
		Contactez un technicien si le problème persiste.
F8	Erreur au niveau du chauffage	Contactez un technicien.
F1	Débordement	Débranchez le lave-vaisselle et fermez le robinet.
		Contactez un technicien.
FE	Carte électronique défectueuse	Contactez un technicien.
F7	Surchauffe	Contactez un technicien.
F9	Erreur de position du diviseur	Contactez un technicien.
F6	Capteur de chauffage défectueux	Contactez un technicien.
HI	Panne haute tension	Contactez un technicien.

INFORMATIONS PRATIQUES

1. Lorsque le lave-vaisselle n'est pas utilisé :

- Débranchez la prise et fermez le robinet.

- Laissez la porte légèrement ouverte pour éviter la formation d'odeurs.

2. Sélectionnez l'option de séchage pour éliminer les gouttelettes d'eau.

3. Placez correctement la vaisselle dans le lave-vaisselle pour obtenir la meilleure consommation d'énergie et la meilleure qualité de lavage et de séchage. Veuillez consulter le tableau des programmes et des consommations pour obtenir de plus amples informations.

4. Rincez la vaisselle sale avant de la mettre dans le lave-vaisselle.

5. N'utilisez le programme de rinçage que lorsque cela est nécessaire.

6. Ne placez pas le lave-vaisselle à proximité d'un réfrigérateur car il fonctionnera à des températures élevées.

7. Si le lave-vaisselle est situé dans une zone où il y a un risque de gel, fermez le robinet, débranchez le tuyau d'arrivée du robinet et vidangez l'eau à l'intérieur du tuyau et du lave-vaisselle complètement. Pensez en dehors de la région métropolitaine.

GARANTIE LIMITÉE

GARANTIE LIMITÉE D'UN AN

Dans les 48 États contigus des États-Unis, pendant un an à compter de la date d'achat, lorsque cet appareil est utilisé et entretenu conformément aux instructions jointes ou fournies avec le produit, le garant paiera les pièces spécifiées par l'usine et la main-d'œuvre pour corriger les défauts de matériaux, ou de fabrication. Le service doit être fourni par une entreprise de service désignée. En dehors des 48 états, toutes les pièces sont garanties un an contre les défauts de fabrication. Les pièces en plastique, les étagères et les armoires sont garanties pour être fabriquées selon des normes commercialement acceptables et ne sont pas couvertes contre les dommages pendant la manipulation ou la casse.

ITEMS WARRANTOR WILL NOT PAY FOR:

1. Appels de service pour corriger l'installation de votre appareil, pour vous expliquer comment utiliser votre appareil, pour remplacer ou réparer des fusibles ou pour corriger le câblage ou la plomberie.
2. Appels de service pour réparer ou remplacer les ampoules de l'appareil ou les étagères cassées. Les pièces consommables (telles que les filtres) sont exclues de la couverture de la garantie.
3. Dommages résultant d'un accident, d'une altération, d'une mauvaise utilisation, d'un abus, d'un incendie, d'une inondation, d'une catastrophe naturelle, d'une mauvaise installation, d'une installation non conforme aux codes électriques ou de plomberie, ou à l'utilisation de produits non approuvés par le garant.
4. Les pièces de rechange ou les coûts de main-d'œuvre pour les unités exploitées en dehors des États-Unis.
5. Les réparations de pièces ou de systèmes résultant de modifications non autorisées apportées à l'appareil.
6. Le retrait et la réinstallation de votre appareil s'il est installé dans un endroit inaccessible ou n'est pas installé conformément aux instructions d'installation publiées.

AVIS DE NON-RESPONSABILITÉ DE GARANTIES IMPLICITES – LIMITATION DES RECOURS

LE SEUL ET UNIQUE RECOURS DU CLIENT EN VERTU DE CETTE GARANTIE LIMITÉE SERA LA RÉPARATION DU PRODUIT COMME PRÉVU DANS LES PRÉSENTES. LES GARANTIES IMPLICITES, Y COMPRIS LES GARANTIES DE QUALITÉ MARCHANDE OU D'ADAPTATION À UN USAGE PARTICULIER, SONT LIMITÉES À UN AN. LE GARANT NE SERA PAS RESPONSABLE DES DOMMAGES ACCESSOIRES OU CONSÉCUTIFS. CERTAINS ÉTATS N'AUTORISENT PAS L'EXCLUSION OU LA LIMITATION DES DOMMAGES ACCESSOIRES OU CONSÉCUTIFS, OU LES LIMITATIONS SUR LA DURÉE DES GARANTIES IMPLICITES DE QUALITÉ MARCHANDE OU D'ADAPTATION, CES EXCLUSIONS OU LIMITATIONS PEUVENT NE PAS S'APPLIQUER À VOUS. CETTE GARANTIE VOUS DONNE DES DROITS LÉGAUX SPÉCIFIQUES ET VOUS POUVEZ AUSSI AVOIR D'AUTRES DROITS, QUI VARIENT D'UN ÉTAT À L'AUTRE.

AVERTISSEMENT : ce produit peut vous exposer à des produits chimiques, notamment le phtalate de diisononyle (DNIP) reconnu par l'État de Californie pour provoquer le cancer. Pour plus d'informations, visitez www.P65Warnings.ca.gov

Summit Appliance
Division of Felix Storch, Inc.
An ISO 9001:2015 registered company
770 Garrison Avenue
Bronx, NY 10474
www.summitappliance.com

SUMMIT[®]

For parts and accessory ordering,
troubleshooting and helpful hints, visit:
www.summitappliance.com/support