

Remote controller

GENERAL INFORMATION

This remote controller is designed for 3-speed ceiling fan to separately control your ceiling fan speed and light brightness. There are four buttons (0,1,2,3) to control the speed of the fan and off.

The light dimmer button will control the light brightness dimmer and off (**dimnable LED or incandescent only**).

The blue indicator on the transmitter will light when one of the five buttons is pressed.

INSTRUCTION OF INSTALLATION AND OPERATION

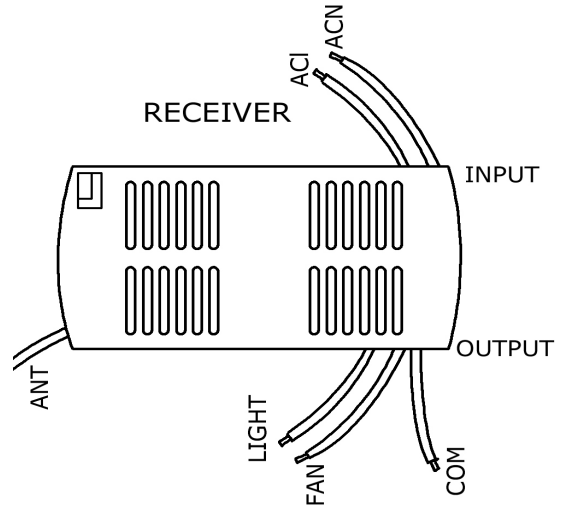
1. INSTALLING RECEIVER IN CEILING FAN

A. Safety precautions:

WARNING: HIGH VOLTAGE! Disconnect power by removing fuse or switching off circuit breaker. Do not use with solid state fans. Electrical wire must meet all local and national electrical code requirements. Supply for fan must be 110/120 volt, 60Hz. Maximum fan motor amps: 1.0, Maximum light watts: 300 dimmable LED or incandescent only. Otherwise power can cause serious injury or death.

B. Installing receiver in fan:

- a. Remove power from the circuit.
- b. Remove ceiling fan canopy from the mounting bracket.
- c. Disconnect existing wiring between ceiling fan and Supply in electrical junction box.
- d. Make connections as follows, using the wire nuts supplied:



receiver Model: FAN-05R(Black) Model: FAN-05R(Black)

CAUTION: Ceiling Angle Shall Not Exceed 30 Degrees, For Mounting Controller

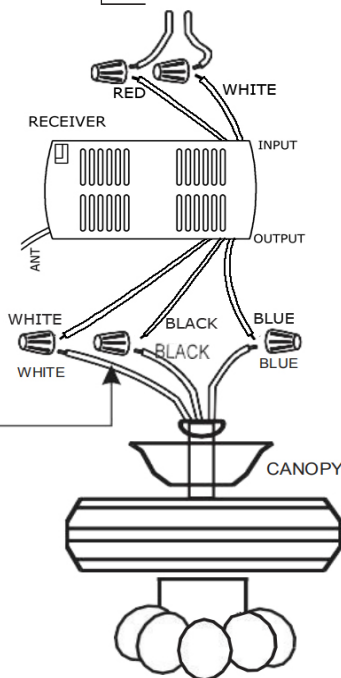
CONNECT TO

Red receiver wire(AC IN L)..... Red supply wire
 White receiver wire(AC IN N)..... White supply wire
 White receiver wire(TO MOTOR N)..White com(FAN/LIGHT N) wire
 Black receiver wire(TO MOTOR L)..... Black fan wire
 Blue receiver wire(TO LIGHT L)..... Blue light wire

Use wire connecting nuts supplied with the fan

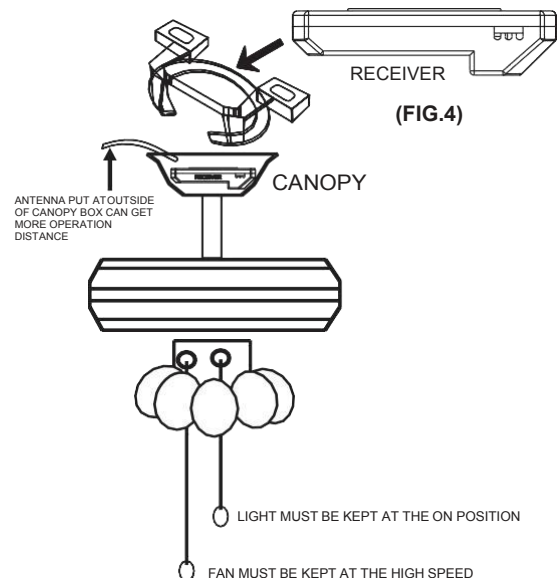
(FIG.3)

FROM POWER SOURCE
AC 110~120 VOLT 60Hz
3.5AMPS.



Use wire connecting nuts supplied with the remote controller.

(FIG.4)



If other fans or supply wires are different color, have this unit installed by qualified licensed electrician.

- e. Push all connected wires up into junction box.
- f. Lay the brown antenna wire on top of the receiver, and put the receiver into the mounting bracket.
- g. Reinstall the canopy on the mounting bracket.
- h. Restore power.

2. Install battery

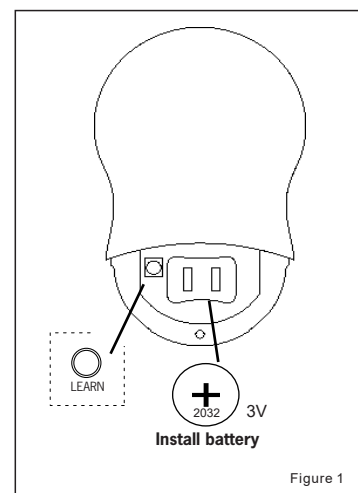
remove switch cover by finger or using a small pointed object and place batteries as shown in figure 3. Use a 3V, 2032 batteries. The battery will weaken with age and should be replaced before leaking as this will damage the transmitter. Dispose of used battery properly, keep the battery out of reach for children.

3. Learning Mode

Make "**Learn function setting**", Restore power source to your fan, press and hold the "LEARN" button for about 4 seconds until light flashes (If the fan installed with a light.

For fans without light, check operation using remote transmitter). Your remote controller is ready to operate the fan. You must press the "LEARN" button within 1 minute of restoring power to the fan. (Fig.1)

Note: If the power is on already, you must turn the power off for 5 seconds at least.



Note: If you want to control the fan with another transmitter, make the same setting. A fan can be controlled by 2 transmitters maximum. Turning the power of the first fan off when you make a learn function setting for the second fan.

The buttons on the remote control the fan speed and light as follows.

(Fig. 2)

4. Operating Transmitter

Your remote now has full control of the fan and light.

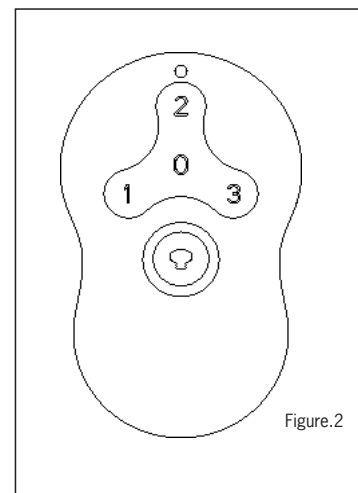
Fan speed

- 1 = low speed
- 2 = medium speed
- 3 = high speed

Press the 0 button to turn fan off.



Press this button quickly to turn light on or off. To dim light, hold down the button, the light will cycle from bright to dim to bright until button is released.



5. Trouble Shooting Guide

1. Fails to operate
 - a. Power to receiver ?
 - b. Receiver wired correctly ?
 - c. Fan manual speed control in highest position ?
 - d. Light kit switch turned on ?
 - e. Good battery in the transmitter ?

2. Won't operate at distance

If transmitter operates fan/light kit when up close, but not at 20 feet away.

Try placing the brown antenna wire higher, up through ceiling/outside the junction box.

NOTICE!

Your ceiling fan and light kit assembly must meet the following requirements:

1. Do not use with solid state fans.
2. Electrical rating: 120v 60Hz 3.5A
 - MAX. Motor amps: 1.0
 - MAX. Light watts: 300-(dimmable LED or incandescent only)

WARNING

TO REDUCE THE RISK OF SHOCK, THE POWER MUST BE DISCONNECTED DURING INSTALLATION.

6. Warranty Policy

1 year warranty and free 1 month replacement (non-human damage). For more information, please contact the customer service of the store you purchased, or mail to: Support@ceilingfanremote.com.