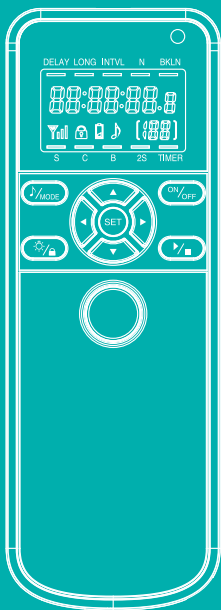
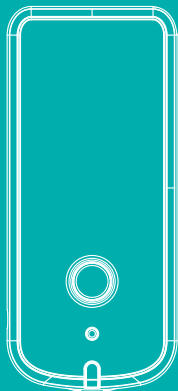


AODELAN



WTR-2(T) / TRS-1



WTR-2(R)

Wireless Timer Remote Shutter Release

无线定时快门遥控器

Timer Remote Shutter Release

定时快门遥控器

User Manual / 使用说明书

Thank you for purchasing an AODELAN product.

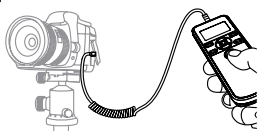
AODELAN WTR-2 or TRS-1 will work as a timer and remote shutter release. Besides the full functions of shutter release, it also features multiply timer functions: delay timer, long exposure timer, interval timer as well as setting for the number of exposure; its timing setting can be accurate to 0.1 seconds. The WTR-2 or TRS-1 is great for time-lapse recording of blooming flowers, astrophotography and etc.

AODELAN WTR-2 includes a Timer WTR-2(T) and a Receiver WTR-2(R). It works as a wireless timer and remote shutter release system with the Receiver WTR-2(R) connecting to the camera and the Timer WTR-2(T) controlling the receiver. Also, the Timer WTR-2(T) can work as a wired system with it connecting to the camera directly.

WTR-2

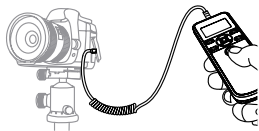


or



AODELAN Timer TRS-1 doesn't feature with radio function; it can only work as a wired timer and remote shutter release system with it connecting to the camera. TRS-1 cannot control WTR-2(R).

TRS-1



Please read this user manual as well as the user manuals provided with your camera which works with WTR-2 or TRS-1 before use.

For your safety

Before using your product, please read the following safety precaution carefully to ensure correct and safe use.

- Do not disassemble or attempt to repair it.
- Do not use the product in the presence of flammable or explosive gas.
- The product is not waterproof. Please keep away from rain, snow and high humidity conditions.
- Do not expose the product to high temperature over 45°C (e.g. left in a car trunk).
- Do not clean the product with organic solvent or alcohol-based liquid.
- Keep the product out of the reach of children.
- Consult local authorities on the proper disposal or recycling of a battery.

Declaration of Conformity USA

For WTR-2

Product name: Wireless Timer Remote Shutter Release Transmitter Trade name: AODELAN Model number: WTR-2(T) FCC ID: 2AEJW-WTR2 Manufacturer: Shenzhen Aodelan Technology Co., Ltd.	Product name: Wireless Timer Remote Shutter Release Receiver Trade name: AODELAN Model number: WTR-2(R) Manufacturer: Shenzhen Aodelan Technology Co., Ltd.
---	--

For TRS-1

Product name: Timer Remote Shutter Release Trade name: AODELAN Model number: TRS-1 Manufacturer: Shenzhen Aodelan Technology Co., Ltd.

FCC Statement

This equipment has been tested and found to comply with the limits for a Class B digital device, pursuant to part 15 of the FCC Rules. These limits are designed to provide reasonable protection against harmful interference in a residential installation. This equipment generates, uses and can radiate radio frequency energy and, if not installed and used in accordance with the instructions, may cause harmful interference to radio communications. However, there is no guarantee that interference will not occur in a particular installation. If this equipment does cause harmful interference to radio or television reception, which can be determined by turning the equipment off and on, the user is encouraged to try to correct the interference by one or more of the following measures:

- Reorient or relocate the receiving antenna.
- Increase the separation between the equipment and receiver.
- Connect the equipment into an outlet on a circuit different from that to which the receiver is connected.
- Consult the dealer or an experienced radio/TV technician for help.

Caution: Any changes or modifications to this device not explicitly approved by manufacturer could void your authority to operate this equipment.

This device complies with part 15 of the FCC Rules. Operation is subject to the following two conditions: (1) This device may not cause harmful interference, and (2) this device must accept any interference received, including interference that may cause undesired operation.

RF Exposure Information

The device has been evaluated to meet general RF exposure requirement. The device can be used in portable exposure condition without restriction.

CAUTION

RISK OF EXPLOSION IF BATTERY IS REPLACED BY AN INCORRECT TYPE. DISPOSE OF USED BATTERIES ACCORDING TO THE INSTRUCTIONS.

RED 2014/53/EU

Declaration of Conformity EC

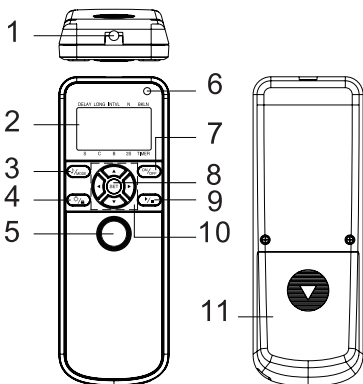
Hereby, **Shenzhen Aodelan Technology Co., Ltd.** declares that this product is in compliance with essential requirements and other relevant provisions of Directive 2014/53/EU. This product can be used across EU member states. A copy of the Declaration of conformity can be found at www.aodelan.net.



Parts

Timer WTR-2(T) or TRS-1

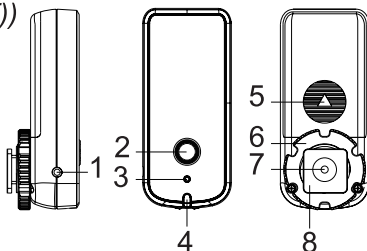
1. Cable Port
2. LCD Screen
3. Sound / Mode Button
4. Backlight / Lock Button
5. Shutter Button
6. Function LED
7. Power Button
8. Set Button
9. Play / Stop Button
10. Adjustment buttons
11. Battery Door



Receiver WTR-2(R)

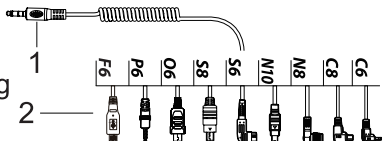
(Only works with WTR-2(T))

1. Cable Port
2. Power Button
3. Code Setting Button
4. Function LED
5. Battery Door
6. Locking Ring
7. 1/4"-20 Mounting Lug
8. Cold Shoe



Shutter Release Cable

1. 2.5mm Input Plug
2. Camera Interface Plug



Inserting batteries into WTR-2(T) / WTR-2(R) or TRS-1

1. Press the battery cover in while pushing it away from the unit. The battery cover will slide open.
2. Remove the battery cover.
3. Insert the AAA batteries in the positive and negative directions as indicated in the battery compartment.
4. Replace the battery cover and push back into the locked position.

Turning WTR-2(T) / WTR-2(R) or TRS-1 on/off

1. To turn on the unit – press and hold the Power Button for 2 seconds.
2. To turn off the unit – press and hold the Power Button for 2 seconds.
3. The Timer WTR-2(T) or TRS-1 will beep and images will appear on the LCD screen when the unit powers on.
4. The Receiver WTR-2(R)'s LED will flash green then red when the unit powers on. The LED will continue to flash green when the unit is on.

Turning the sound on/off for WTR-2(T) or TRS-1

1. By default sounds on the Timer WTR-2(T) or TRS-1 unit are on. You will hear audible beeps when it is first powered on, when starting and stopping programs or when a photo is taken.
2. When the sound function is enabled a musical symbol is visible on the LCD.
3. To disable sound press and hold the Sound/Mode Button until the sound symbol disappears.

Using the Backlight on WTR-2(T) or TRS-1

1. Use the Backlight to illuminate the LCD screen.
2. Press and release the Backlight / Lock Button, the backlight will illuminate the LCD for approximately 10 seconds before turning off automatically.

Using the Lock Button on WTR-2(T) or TRS-1

1. The Lock Button disabled all buttons. This can be useful when running a long multiple exposure program.
2. Press and hold the Backlight / Lock Button. A lock symbol will appear on the LCD. No buttons will function after the unit is locked.
3. To disengage: Press and hold the Backlight / Lock Button again until the lock symbol disappears.

The Wireless Signal Strength Indicator ^[Note] on WTR-2(T)

1. The Wireless Signal Strength Indicator on the LCD shows the signal strength between the Timer WTR-2(T) and Receiver WTR-2(R) if the WTR-2 system is being used wirelessly.
2. Use this as an indication of range – when the Timer and Receiver are within range the three bar icon will appear on the LCD.
3. When the Timer and Receiver are not in range the three bar icon will not appear.

Note: TRS-1 has no radio function, so the Wireless Signal Strength Indicator is not available on its LCD.

Function LED on WTR-2(T) / WTR-2(R) or TRS-1

The Function LED on the Timer WTR-2(T) or TRS-1 will:

1. Turn green when focusing.
2. Turn red when a photo is taken.

The Function LED on the Receiver WTR-2(R) will:

1. Flash green when the Receiver is powered on.
2. Turn to a solid green when a focus signal is received from WTR-2(T).
3. Turn red when a photo is taken.

Connecting WTR-2(T) / WTR-2(R) or TRS-1 to a camera

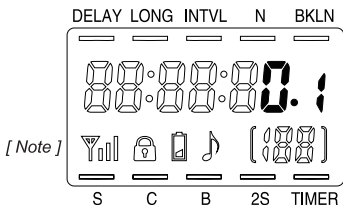
1. Turn off the unit and camera.
2. Attach a compatible Shutter Release Cable to WTR-2(T) / WTR-2(R) or TRS-1.
3. Attach the other end to camera's remote port.
4. Turn on the unit and camera.

Disconnecting WTR-2(T) / WTR-2(R) or TRS-1 from the camera

1. Turn off the unit and camera.
2. Remove the Shutter Release Cable from the camera's remote port.
3. Remove the Shutter Release Cable from the unit.

Using the Timer

Aodelan WTR-2 or TRS-1 has two modes:
Shutter release modes and **Timer mode**.



Note: The Wireless Signal Strength Indicator is not available on TRS-1's LCD.

Changing modes on WTR-2(T) or TRS-1

Press the Sound/Mode Button to cycle between modes. A small indicator line will appear on the LCD over the selection. The modes are:

S: Shutter Release. A half-press of the Shutter Button will focus; a full press will open the shutter. The LED on the Timer and Receiver will light green when focus is achieved.

C: Continuous. A half-press of the Shutter Button will focus; a full press will open the shutter and take 5 photos. *[Note]* The LED on the Timer and Receiver will light red as the images are recorded. Holding the Shutter Button will result in more photos being recorded, in groups of 5. *[Note]*

Note: Some cameras will only continuously take 3 photos rather than 5, depending on the camera.

B: Bulb. A half-press of the Shutter Button will focus; a full press will open the shutter and lock it. The LCD screen on the timer will begin to time the exposure. The LED on the Timer and Receiver will light red. To stop the exposure, fully press the Shutter Button to close the shutter.

2S: 2 Second. A half-press of the Shutter Button will focus; a full press will take a photo after a two second delay. The LED on the Timer will flash green while the 2 second delay is underway and red when the image is recorded.

TIMER. Gives access to the timer mode functions.

Timer Mode

Using Timer mode

1. To access the timer mode press the Sound/Mode Button until Timer is selected on the LCD.
2. With Timer selected you have access to the following timer functions:

DELAY: Delayed Exposure. A self-timer before a photo is taken.

LONG: Long Exposure. A programmable long exposure for camera's B (Bulb) Mode. The shutter will stay open for the time programmed into the timer.

INTVL: Interval. The timer will take photos at the time intervals programmed into the timer.

N: Number. The number of exposures the timer will shoot during the current program (programmable "1-199"; or "--" for unlimited).

BKLN: Bracketed Long Exposure. Useful for low-light multiple exposure HDR images.

Setting the timer

1. Press the left or right Adjustment Buttons to select DELAY, LONG, INTVL, N, BKLN. A small indicator line will appear on the LCD under the selection.
2. Press the Set Button to edit the time.
3. The up and down Adjustment Buttons will change the time.

4. The left and right Adjustment Buttons will move from hours minutes, seconds, and part seconds. The left and right Adjustment Buttons will also move to the next or previous timer function. ^[Note]

*Note: The **DELAY**, **LONG**, **INTVL** and **N** functions can be used together. A program using one or all of these functions can be created.*

Starting and Stopping the Timer

1. Pressing the Play / Stop Button will start programmed timer functions.
2. Pressing the Play / Stop Button will stop a running program.

The BKLN Function

The Bracketed Long Exposure function allows a group of photos to be taken at automatically exponentially changing exposure times.

1. Set the camera to B Bulb mode.
2. Selected **BKLN** in the timer mode.
3. Press the Set Button and the up arrow Selection Button to turn on **BKLN** mode on.
4. Set your exposure time under the **LONG** timer mode.
5. Set the number of exposures under the **N** timer mode. The number of exposures can be set from 1 to 7.
6. Pressing the Play / Stop Button will start the program.

The AODELAN Timer will double the exposure time (one stop) set under the LONG setting for each of the number of frames set under the N setting.

Example:

LONG time set to 0.5 second.

N set to 5

Starting **BKLN** program you would get the following with the above settings.

Image 1: 0.5 second

Image 2: 1 second

Image 3: 2 seconds

Image 4: 4 seconds

Image 5: 8 seconds

When using this function for HDR images a little math work is required. If the proper exposure is 2 seconds and you want to take a group of 5 images, the fastest exposure - 0.5 second - needs to be entered on the Timer WTR-2(T) or TRS-1. Images will be recorded based on the first exposure time entered and counted forward. Unlike bracketed exposures on a camera, AODELAN WTR-2 or TRS-1 will not shoot faster than slower images.

Setting the Smart Code

The frequency of transmitter and receiver will be pre-set in production. You can use the timer instantly. To reset the smart code, please follow the procedures:

1. Turn on the transmitter and receiver.
2. Use a needle-like object to press into the code setting button on receiver, which will cause the LED on receiver to flash red and green light alternately for 25s. Press the shutter button on transmitter to reset the code during the code setting mode. When the code is successfully set, the LED on receiver will get back to normal mode, flashing green light. ^[Note]

Note: A transmitter can control multiple receivers simultaneously. A receiver can receive signal from one transmitter only.

Technical Specifications

Batteries: 2 x AAA batteries

Storage Temperature: -10 °C to 60 °C

Standby Timer: 48 Hours

Timer WTR-2(T)

Frequency: 2.4 GHz

Range: 60 meters

Working voltage: 3.0 V

Size: Approx. 130 x 46 x 22 mm (5.1 x 1.8 x 0.9 in)

Weight: Approx. 56.5g (2.0 oz) (without batteries)

Timer TRS-1

Working voltage: 3.0 V

Size: Approx. 130 x 46 x 22 mm (5.1 x 1.8 x 0.9 in)

Weight: Approx. 56.5g (2.0 oz) (without batteries)

Receiver WTR-2(R)

Working voltage: 3.0 V

Size: Approx. 85 x 37 x 31 mm (3.3 x 1.5 x 1.2 in)

Weight: Approx. 37.5 g (1.3 oz) (without batteries)

Specifications and design are subject to change without notice.

感谢您购买奥德兰产品。

奥德兰 WTR-2 或 TRS-1 可作为一款定时器和快门线使用。它拥有快门线的所有功能，除此之外，还具备多重定时器功能：延时定时、长时间曝光定时、间隔定时以及曝光次数设置；其定时设置可精确到 0.1 秒。WTR-2 或 TRS-1 非常适合记录花朵盛开过程的微速摄影、天文摄影等拍摄场景。

奥德兰 WTR-2 包含一个定时器 WTR-2(T) 和一个接收器 WTR-2(R)。通过把接收器 WTR-2(R) 与相机连接，定时器 WTR-2(T) 遥控接收器，WTR-2 可以作为无线定时和快门遥控系统使用。此外，定时器 WTR-2(T) 直接与相机连接时还可以作为有线系统使用。

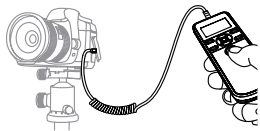
WTR-2



或

奥德兰定时器 TRS-1 不具备无线电功能，它只能与相机连接作为有线定时和快门遥控系统使用。TRS-1 不能控制 WTR-2(R)。

TRS-1



使用前，请阅读本使用说明书以及与 WTR-2 或 TRS-1 搭配使用的相机随附的使用说明书。

安全须知

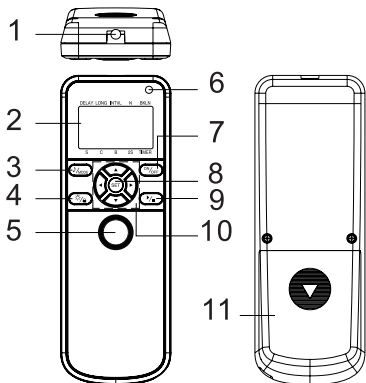
请在使用前仔细阅读“安全须知”，并以正确的方法使用。

- 请勿试图自行拆开或进行维修。
- 请勿在有可能起火、爆炸的场所使用本产品。
- 本产品不具备防水特性，请远离雨、雪等高湿度的场合。
- 请勿将产品放置在超过 45°C 的高温环境下，比如汽车尾箱内。
- 请勿使用有机溶剂或含酒精的液体来清洁该产品。
- 请勿在婴幼儿伸手可及之处保管产品。
- 有关电池的妥善处理 and 回收，请咨询地方当局。

部件名称

定时器 WTR-2(T) 或 TRS-1

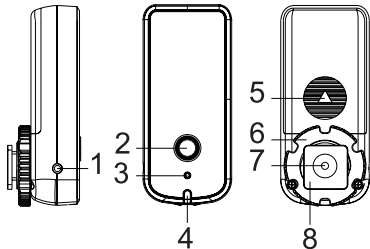
1. 快门连接线端口
2. LCD 显示屏
3. 声音 / 模式按钮
4. 背光灯 / 锁键按钮
5. 快门按钮
6. 功能 LED 指示灯
7. 开关按钮
8. 设置按钮
9. 播放 / 停止按钮
10. 调节按钮
11. 电池盖



接收器 WTR-2(R)

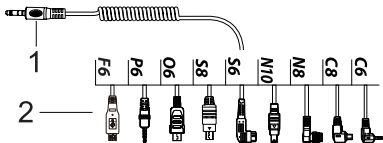
(仅搭配 WTR-2(T) 使用)

1. 快门连接线端口
2. 开关按钮
3. 对码按钮
4. 功能 LED 指示灯
5. 电池盖
6. 锁环
7. 1/4" -20 旋转螺口
8. 冷靴



快门连接线

1. 2.5mm 输入插头
2. 相机快门连接插头



在 WTR-2(T)/WTR-2(R) 或 TRS-1 上安装电池

1. 按住机子上的电池盖，朝外推以滑开电池盖。
2. 取下电池盖。
3. 按照电池仓内指示的正负极方向插入 AAA 电池。
4. 放回电池盖，并往后推至锁紧的位置。

WTR-2(T)/WTR-2(R) 或 TRS-1 开机或关机

1. 开机 – 长按 开关按钮 2 秒。
2. 关机 – 长按 开关按钮 2 秒。
3. 开机后，WTR-2(T) 或 TRS-1 的 LCD 显示屏上面会出现图案。
4. 开机后，接收器 WTR-2(R) 上的 LED 将会闪烁绿灯，然后闪烁红灯。当接收器处于开机状态时，LED 会间隔闪烁绿灯。

开启或关闭 WTR-2(T) 或 TRS-1 声音

1. 默认情况下 WTR-2(T) 或 TRS-1 上的声音是开启的。当第一次开机、开始或终止程序以及拍照时，你都会听到机子传出来的“滴”声音。
2. 声音功能开启时，在 LCD 显示屏上可以看到一个音乐符号。
3. 关闭声音只需长按 声音 / 模式按钮，直到声音图标消失。

使用 WTR-2(T) 或 TRS-1 背光灯

1. 用背光灯照亮 LCD 显示屏。
2. 按下并释放 背光灯 / 锁键按钮，背光灯在自动关闭前会照亮 LCD 显示屏大约 10 秒钟。

WTR-2(T) 或 TRS-1 锁键按钮的使用

1. 锁键按钮可使定时器上的所有按键功能处于无效状态。这对正在进行的长时间多次曝光的项目是非常有帮助的。
2. 按下 背光灯 / 锁键按钮 不放，LCD 显示屏上会出现一个锁住的标识。装置被锁定后，所有的按键功能将不能使用。
3. 解锁：再次按住 背光灯 / 锁键按钮 直到锁键标志消失。

WTR-2(T) 无线信号强度指示符 ^[注]

1. LCD 上的无线信号强弱指示符用来显示定时器 WTR-2(T) 与接收器 WTR-2(R) 之间的信号强弱。
2. 用来指示范围 - 当定时器与接收器在使用范围内时，LCD 显示屏上将出现三条竖线型符号。
3. 当定时器与接收器不在使用范围内时，LCD 显示屏上的三条竖线型符号就会消失。

注：TRS-1 没有无线电功能，因此在其 LCD 显示屏上也
没有无线信号强度指示符。

WTR-2(T)/WTR-2(R) 或 TRS-1 的 LED 功能

定时器 WTR-2(T) 或 TRS-1 上的 LED 功能：

1. 对焦时 LED 变成绿色。
2. 拍照时 LED 转为红色。

接收器 WTR-2(R) 上的 LED 功能：

1. 接收器处于开机状态时：LED 闪烁绿色。
2. 当接收到来自定时器 WTR-2(T) 的对焦信号时，LED 灯不再闪烁，转为绿色。
3. 拍照时，LED 转为红色。

将 WTR-2(T)/WTR-2(R) 或 TRS-1 连接到相机

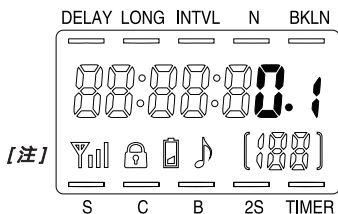
1. 关闭相机与相机。
2. 将一根可兼容的快门连接线接到 WTR-2(T)/WTR-2(R) 或 TRS-1 上。
3. 将连接线的另一端接到相机的快门遥控端口。
4. 开启相机与相机。

将 WTR-2(T)/WTR-2(R) 或 TRS-1 与相机分离

1. 关闭相机与相机。
2. 将快门连接线从相机的遥控端口拔出。
3. 将快门连接线从机子上拔出。

定时器的使用

奥德兰 WTR-2 或 TRS-1 有两种模式：
快门释放模式与定时模式。



注：TRS-1 的 LCD 上没有无线信号强度指示符。

WTR-2(T) 或 TRS-1 模式的更改

按下 声音 / 模式按钮，循环显示模式。在执行选择时，LCD 显示屏上会出现一个小的指示线，模式分别为：

S: 快门释放模式。 半按 快门按钮 则为对焦，全按 快门按钮 则是释放快门。接收器和定时器上的 LED 指示灯在成功对焦后会闪绿灯。

C: 连拍模式。 半按 快门按钮 则为对焦，全按 快门按钮 将会打开快门并连续拍摄 5 张^[注]照片。拍照时，定时器和接收器上的 LED 指示灯会亮红灯。按住快门按钮不放就能拍摄更多的照片，一组 5 张。^[注]

注：有些相机只会连续拍摄 3 张照片，具体拍摄张数视相机而定。

B : Bulb 长时间曝光模式。 半按 快门按钮 则为对焦，全按 快门按钮 就能打开快门并且锁定它。定时器上的 LCD 显示屏就会开始对曝光计时。定时器和接收器上的 LED 指示灯也会亮红灯。若要结束曝光，只需全按 快门按钮 以关闭快门。

2S : 延时两秒模式。 半按 快门按钮 则为对焦，全按 快门按钮 就会在两秒钟后拍照。定时器上的 LED 指示灯在延时的两秒钟内会闪烁绿灯，当拍照时就会变成红灯。

TIMER : 定时。 进入定时器模式功能。

定时器模式

使用定时器模式

1. 要获得定时器模式，需按 声音 / 模式按钮 直到在 LCD 显示屏选中 Timer 功能栏。
2. 选择了 Timer 模式，你就能实现以下定时器功能：

DELAY：延时曝光。 在拍照前自定延时。

LONG：长时间曝光。 针对拥有 B Bulb 模式的相机设定的可编程长时间曝光。在预设的时间内相机快门一直开启。

INTVL：间隔曝光。 定时器会按照其已经设置好的间隔时间进行拍照。

N：曝光张数。 定时器会按照当前程序设置好的曝光张数来拍摄（可编程“1-199”张；或者“--”无限制张数）。

BKLN：等倍曝光。 适用于拍摄低光多重曝光 HDR 图片。

定时器的设置

1. 按 左右调节按钮 来选择延时曝光、长时间曝光、间隔曝光、曝光张数、等倍曝光功能。当您在选择时，LCD 显示屏上会出现一个小的指示线。
2. 按 设置按钮 来编辑时间。
3. 上下调节按钮 可用来更改时间。

4. 左右调节按钮 可用来在小时、分钟、秒数以及不足秒数之间进行切换。左右调节按钮 也可以用来切换到前一种或后一种定时器功能。^[注]

注：延时曝光、长时间曝光、间隔曝光以及曝光张数可一起使用。可编制一个程序，既可以使用其中一个功能也可以使用所有这些功能。

定时器的启动与停止

1. 按 播放 / 停止按钮 启动指定的定时器功能。
2. 按 播放 / 停止按钮 停止正在运行的程序。

BKLN 功能

等倍时间曝光功能可以让曝光时间自动呈指数变化从而拍摄一组照片。

1. 将相机设置为 B bulb 模式。
2. 在定时器模式中选定 **BKLN**。
3. 按 设置按钮 与 向上的箭头选择按钮 开启 **BKLN**。
4. 在 (**LONG**) 长时间曝光模式下设置曝光时间。
5. 在 (**N**) 曝光张数模式下设置曝光次数。曝光次数可以设置为 1 到 7。
6. 按 播放 / 停止按钮 启动该程序。

按照在 N 中设置的曝光次数，第一张照片的曝光时间为在 LONG 中设置的时间，后面每次曝光时间都会是前面一次的两倍。

例如：

LONG 设置为 0.5 秒

N 设置为 5

启动 BKLN 程序，连同上面的设置你将获得如下：

图片 1：0.5 秒

图片 2：1 秒

图片 3：2 秒

图片 4：4 秒

图片 5：8 秒

当此功能用于 HDR 图片时，需要一点点的数学知识。如果合适的曝光是 2 秒并且要拍摄 5 张组图。则需要定在定时器 WTR-2 (T) 或 TRS-1 上输入最快曝光 - 0.5 秒。图片的记录基于第一次曝光时间的输入以及后续的计算。与相机上的包围曝光不一样的是，WTR-2(T) 或 TRS-1 不会先拍摄较快的照片然后再拍摄较慢的照片。

对码设置

发射器和接收器的频率会在出厂前设置好，可以直接使用。如需要重置对码，请按以下步骤操作：

1. 开启发射器和接收器。
2. 用细长物件按接收器上的对码按钮，接收器指示灯会快速交替闪烁红灯和绿灯（持续约 25 秒），在此期间按一下发射器上的快门按钮进行对码。对码成功后，接收器的指示灯恢复到普通状态，即闪烁绿灯。^[注]

注：一台发射器可以同时控制多台接收器，而接收器一次只能被一台发射器控制。

技术规格

电池：2 x AAA 电池

储存温度：-10°C 到 60°C

待机时间：48 小时

定时器 WTR-2(T)

频率：2.4 GHz

工作范围：60 米

工作电压：3.0 V

尺寸：约 130 x 46 x 22mm

重量：约 56.5g (不含电池)

定时器 TRS-1

工作电压：3.0 V

尺寸：约 130 x 46 x 22mm

重量：约 56.5g (不含电池)

接收器 WTR-2(R)

工作电压：3.0 V

尺寸：约 85 X 37 X 31mm

重量：约 37.5g (不含电池)

规格和设计如有变更，恕不另行通知。



www.aodelan.net

深圳市奥德兰科技有限公司
Shenzhen Aodelan Technology Co., Ltd.



Printed in China