



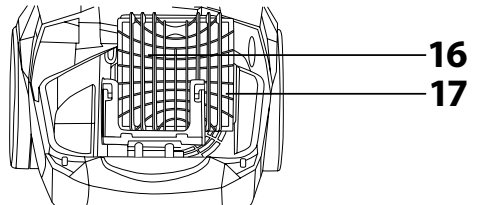
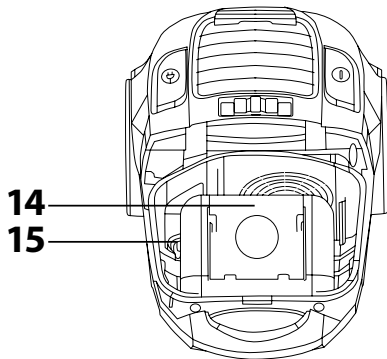
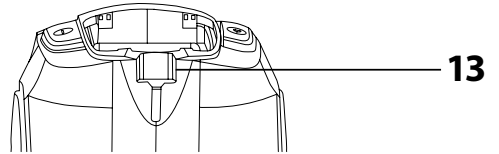
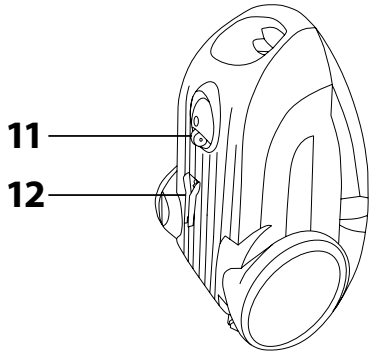
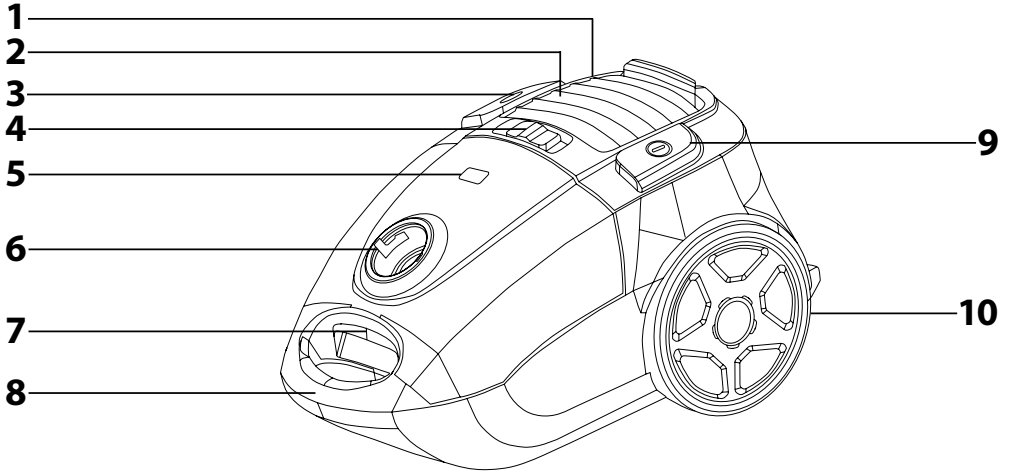
## EN ■ Bagged Vacuum Cleaner

### **READ CAREFULLY AND STORE FOR FUTURE USE.**

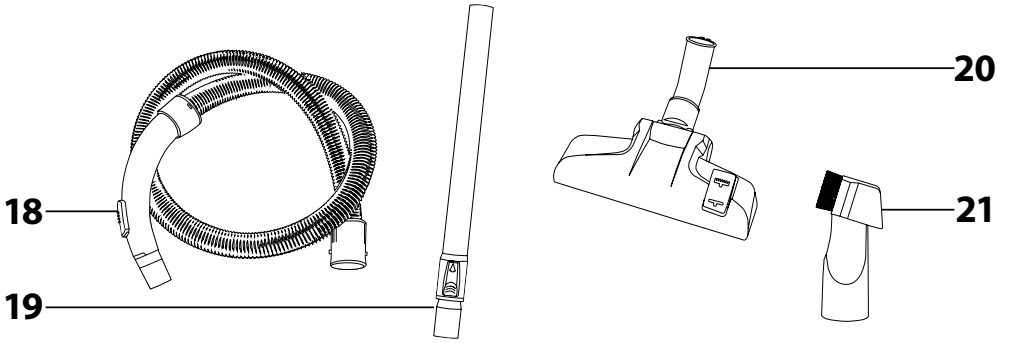
- This vacuum cleaner may be used by children 8 years of age and older and by persons with physical or mental impairments or by inexperienced persons, if they are properly supervised or have been informed about how to use this vacuum cleaner in a safe manner and understand the potential dangers. Children must not play with the vacuum cleaner. Cleaning and maintenance performed by the user must not be performed by unsupervised children. Keep the vacuum cleaner and its accessories out of reach of children that are younger than 8 years of age.
- This vacuum cleaner is designed for use in households, offices and similar types of areas. Do not use it in industrial surroundings or outdoors.
- Do not expose the vacuum cleaner to direct sunlight and do not place it near an open fire or appliances that are a source of heat.
- Before connecting the power cord to a power socket, check that the technical details on the vacuum cleaner's rating label match the electrical voltage in the socket.
- Make sure the power cord is not touching a hot surface or sharp objects.
- Do not submerge the vacuum cleaner under water or any other liquid and do not rinse it under running water.
- Before turning on the vacuum cleaner, make sure that the dust bag is inserted inside and that the inflow micro-filter and the outflow HEPA filter are installed in their place.
- When the vacuum cleaner is running, ensure that the air outlets and the suction opening are not blocked.
- Do not use the vacuum cleaner to vacuum the following items:
  - smouldering cigarettes, burning items, matches or embers;
  - water and other liquids;
  - flammable or volatile materials;
  - sharp items, e.g. broken glass, needles, pins, etc.;
  - flour, wall plaster, cement and other building materials;
  - larger pieces of paper or plastic bags, which can easily block the suction opening.

- Vacuuming of some types of floors or floor surfaces can create an electrostatic discharge, which presents no danger to the user.
- Do not place the suction nozzle or tube against any parts of the face.
- Always turn off the vacuum cleaner and disconnect it from the power socket when leaving it without supervision, after finishing using it and before cleaning it.
- Disconnect the power cord from the power socket by pulling on the plug, never pulling on the cord. Otherwise, this could damage the power cord or the socket. Hold the power cord in your hand when winding it up.
- If the power cord is damaged, have it replaced at a professional service centre. It is forbidden to use the vacuum cleaner if it has a damaged power cord.
- Do not use the vacuum cleaner if it is not working correctly, if it has been damaged or has been submerged in water. Do not repair the vacuum cleaner yourself or make any adjustments to it. Have all repairs or adjustments performed at an authorised service centre. By tampering with the appliance, you risk voiding your legal rights arising from unsatisfactory performance or quality warranty.

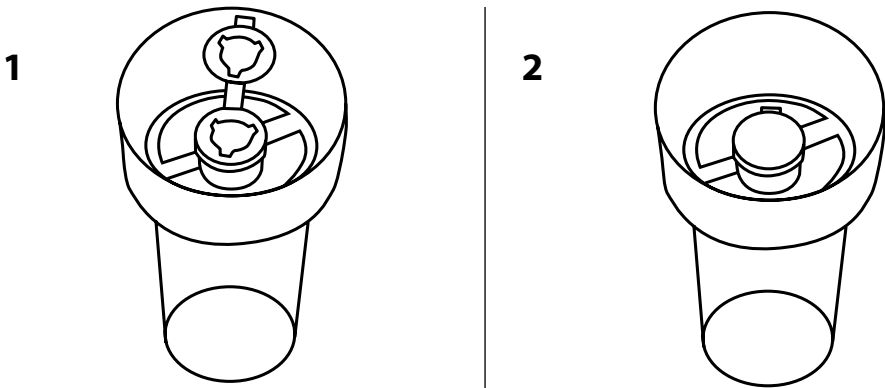
**A**



**A**



**B**



- Prior to using this appliance, please read the user's manual thoroughly, even in cases, when one has already familiarised themselves with previous use of similar types of appliances. Only use the appliance in the manner described in this user's manual. Keep this user's manual in a safe place where it can be easily retrieved for future use.
- We recommend saving the original cardboard box, packaging material, purchase receipt and responsibility statement of the vendor or warranty card for at least the duration of the legal liability for unsatisfactory performance or quality. In the event of transportation, we recommend that you pack the appliance in the original box from the manufacturer.

### DESCRIPTION OF THE VACUUM CLEANER AND ITS ACCESSORIES

- |  |  |
|--|--|
| <b>A1</b> Removable grill of the outflow HEPA filter               | <b>A11</b> Front swivel travel wheel   |
| <b>A2</b> Washable outflow HEPA filter is placed behind the grill. | <b>A12</b> Groove for the vertical parking position                          |
| <b>A3</b> Automatic power cord winding button                      | <b>A13</b> Groove for the horizontal parking position                        |
| <b>A4</b> Electronic suction power control                         | <b>A14</b> Dust bag*   |
| <b>A5</b> Full dust bag indicator                                  | <b>A15</b> Dust bag holder   |
| <b>A6</b> Flexible hose connection hole                            | <b>A16</b> Grill of the inflow micro-filter                                  |
| <b>A7</b> Top cover locking and releasing clip                     | <b>A17</b> Washable inflow micro-filter is placed in the grill.              |
| <b>A8</b> Integrated handle  | <b>A18</b> Flexible hose with mechanical suction power control in the handle |
| <b>A9</b> On/Off button of the vacuum cleaner                      | <b>A19</b> Telescopic metal tube   |
| <b>A10</b> Rubber-coated rear travel wheel                         | <b>A20</b> Floor nozzle with an extensible brush                             |
|  | <b>A21</b> 2-in-1 brush and slot nozzle                                      |



#### Note\*:

One disposable microfibre (nonwoven textile) bag is included.

### PREPARING FOR USE

- Make sure that the dust bag **A14**, inflow micro-filter **A17** and outflow HEPA filter **A2** are properly installed.
- Slide the end of the flexible hose **A18** fully into the hole **A6**.



#### Note:

When disassembling, it is necessary to press both locking clips at the end of the hose **A18** while at the same time pulling the hose **A18** out of the hole **A6**.

- On to the handle of the flexible hose **A18**, place the telescopic tube **A19** and set it to the required length as follows. Release the clip on the telescopic tube **A19** and slide it towards the extensible part of the tube **A19**. After releasing the clip, set the length of the tube **A19** by sliding its extensible part in or out. When the clip is released, it will lock in at the set length.
- Connect the floor nozzle **A20** to the free end of the telescopic tube **A19**. The flap on the floor nozzle **A20** serves to extend and retract the brush.
- The 2-in-1 brush and slot nozzle **A21** can be attached directly to the handle of the flexible hose **A18** or to the telescopic tube **A19**.

### USING THE VACUUM CLEANER

- Pull on the power plug to wind out the required length of the power cord and connect it to a power socket.



#### Attention:

The yellow mark on the power cord indicates the approaching end of its length, and the red mark indicates the complete end of its length. Do not attempt to pull the power cord past this mark.

- To start the vacuum cleaner, press button **A9**. When vacuuming smooth hard floor surfaces, extend the brush on the floor nozzle **A20**, and retract the brush when vacuuming carpets. The slot nozzle can be used for vacuuming hard to reach places and the brush nozzle for vacuuming various types of furniture.
- Suction power can be set using the electronic control slider **A4** or the mechanical flap on the handle of the flexible hose **A18**.

- When you have finished using the vacuum cleaner, turn it off by pressing button **A9** and disconnect the power cord from the power socket. To wind the power cord back into the vacuum cleaner, press and hold button **A3** until its entire length is wound up. Gently hold the power cord with one hand while winding it up.



#### Note:

If the power cord is not wound up completely, release button **A3**, and pull the power cord out of the vacuum cleaner by approximately 50 cm and then try again to wind it up.

### PARKING POSITION OF THE VACUUM CLEANER

- When not using the vacuum cleaner, you may put it in the parking position. For the horizontal parking position, use the stopper on the floor nozzle **A20** and the groove **A13**, see fig. **B1**. For the vertical parking position, first set the shortest length of the telescopic tube **A19**. Then put the vacuum cleaner in a vertical position, and slide the stopper on the floor nozzle **A20** into the groove **A12**, see fig. **B2**.

### MAINTENANCE AND CLEANING

- Before cleaning it, always make sure that the vacuum cleaner is turned off and disconnected from the power socket.

#### Changing the dust bag

- The need to replace the dust bag is signalled by the indicator **A5**.
- Release the clip **A7** and open the top cover of the vacuum cleaner. Remove the used dust bag **A14** from the holder **A15** and insert a new bag intended for this type of a vacuum cleaner in its place. If the dust bag is not replaced in time, the vacuum cleaner's suction power will be reduced.

#### Cleaning and replacing the inflow micro-filter and the outflow HEPA filter

- Release the clip **A7** and open the top cover of the vacuum cleaner. Slide the grill **A16** out of the vacuum cleaner and take the micro-filter **A17** out of it. Rinse it under running lukewarm water and allow to dry naturally. Then reinsert it and close the cover. In the event that the micro-filter **A17** is showing signs of wear or it is heavily soiled, replace it with a new one.
- Release and remove the grill **A1**. Remove the HEPA filter **A2** from the vacuum cleaner. In the case of light soiling, tap it out. We recommend doing this away from living areas. In the event of greater soiling, wash it under a weak current of running lukewarm water so that the water washes the dirt out of the folds. Allow the HEPA filter **A2** to dry naturally, then reinsert it and secure it in place with the grill **A1**. It is recommended to replace the HEPA filter with a new one after 6 months of use.
- When filters are soiled, their effectiveness is reduced, so do not neglect their cleaning.



#### Attention:

Before putting the filters back into the vacuum cleaner, make sure that they are completely dry.

#### Cleaning the flexible hose, telescopic tube, floor nozzle and the 2-in-1 attachment

- If the vacuum cleaner accessories are soiled, remove them from the vacuum cleaner and clean all dirt off of them (dust, hair, animal fur, etc.).

#### Cleaning the outer surface of the vacuum cleaner

- Clean the outer surface using a dry or a lightly dampened cloth. Then wipe it thoroughly dry.
- For cleaning the vacuum cleaner, do not use steel wool, abrasive cleaning products, solvents etc.
- Do not submerge the vacuum cleaner under water or any other liquid and do not rinse it under running water.

### TECHNICAL SPECIFICATIONS

Rated voltage range .....	220–240 V
Rated frequency .....	50/60 Hz
Rated power input .....	1 400 W
Maximum power input .....	1 600 W
Electrical shock protection class .....	II
Noise level .....	81 dB(A)
Dust bag capacity .....	3l
HEPA filter efficiency class .....	E12
Length of the power cord .....	7 m
Operational radius .....	10 m

The declared noise emission level is 81 dB(A), which represents a level A of sound power with respect to a reference sound power of 1 pW.

### Explanation of technical terminology

Safety class for electrical shock protection:

Class II – Electrical shock protection is provided by double or heavy-duty insulation.

We reserve the right to change text and technical specifications.

### PRODUCT INFORMATION SHEET

Name / trademark	Sencor
Model identification number	SVC 6000BK
Energy efficiency class*	E
Annual power consumption (in kWh)**	52
Carpet cleaning efficiency class	D
Hard floor cleaning efficiency class	A
Vacuum cleaner dust emission class	A
Level of acoustic power in dB(A)	81
Rated power input (W)	1 400

\* Class A (highest efficiency class, low power consumption) to Class G (lowest efficiency class, high power consumption).

\*\* Approximate annual power consumption in kWh per year based on 50 cleaning cycles. Actual power consumption will depend on how the appliance is used.

The values are determined pursuant to (EU) No. 665/2013.

### INSTRUCTIONS AND INFORMATION REGARDING THE DISPOSAL OF USED PACKAGING MATERIALS

Dispose of used packaging material at a site designated for waste in your municipality.

### DISPOSAL OF USED ELECTRICAL AND ELECTRONIC EQUIPMENT



This symbol on products or original documents means that used electric or electronic products must not be added to ordinary municipal waste. For proper disposal, renewal and recycling hand over these appliances to determined collection points. Alternatively, in some European Union states or other European countries you may return your appliances to the local retailer when buying an equivalent new appliance.

Correct disposal of this product helps save valuable natural resources and prevents potential negative effects on the environment and human health, which could result from improper waste disposal. Ask your local authorities or collection facility for more details.

In accordance with national regulations penalties may be imposed for the incorrect disposal of this type of waste.

#### For business entities in European Union states

If you want to dispose of electric or electronic appliances, ask your retailer or supplier for the necessary information.

#### Disposal in other countries outside the European Union

This symbol is valid in the European Union. If you wish to dispose of this product, request the necessary information about the correct disposal method from the local council or from your retailer.



This product meets all the basic requirements of EU directives related to it.