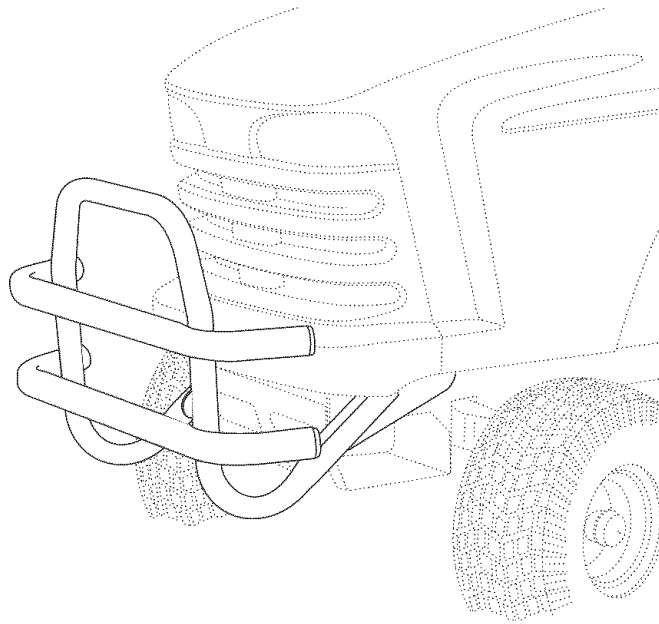


Owner's Manual



TRACTOR BRUSH GUARD

Model No's. 486.246212, 486.246221 & 486.246231



CAUTION:

Before using this product, read this manual and follow all Safety Rules and Operating Instructions.

- Safety
- Assembly
- Operation
- Maintenance
- Parts

IMPORTANT - READ THIS FIRST!!!

For Missing Parts or Assembly Questions

Please Call 866-576-8388

Mon.-Fri. 7 am - 5 pm CST.

FAX 217-728-2032 or e-mail info@agri-fab.com

Missing parts will be sent UPS in 24 hours directly to your home.

Sears, Roebuck and Co., Hoffman Estates, IL 60179 U.S.A.

www.sears.com/craftsman

WARRANTY

ONE YEAR LIMITED WARRANTY

When operated and maintained according to the instructions supplied with it, if this Tractor Brush Guard fails due to a defect in material or workmanship within one year from the date of purchase, call 1-800-4-MY-HOME® to arrange for free repair.

If this product is used for commercial or rental purposes, this warranty applies for only 90 days from the date of purchase.

This warranty gives you specific legal rights, and you may also have other rights which vary from state to state.

Sears, Roebuck and Co., D817WA, Hoffman Estates, IL 60179



SAFETY



Any power equipment can cause injury if operated improperly or if the user does not understand how to operate the equipment. Exercise caution at all times, when using power equipment.

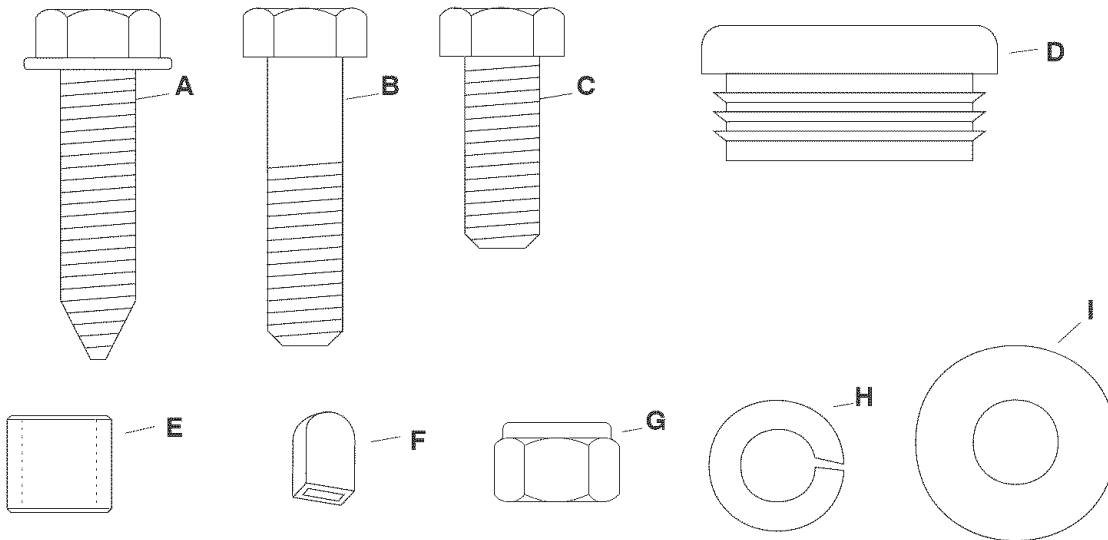
- Refer to your tractor owners manual for "Rules For Safe Operation".



Look for this symbol to point out important safety precautions. It means — **Attention!! Become alert!! Your safety is involved.**

HARDWARE PACKAGE

SHOWN FULL SIZE

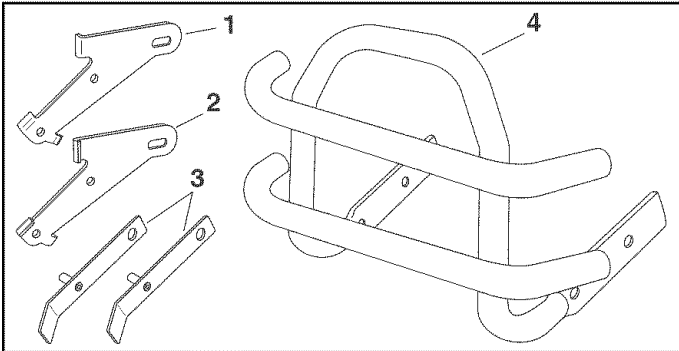


Ref.	Part No.	Qty.	Description
A	48894	2	Self Threading Screw, 3/8-16 x 1-1/2"
B	43062	2	Hex Bolt, 3/8-16 x 1-1/2"
C	43001	2	Hex Bolt, 3/8-16 x 1"
D	44742	4	Plug
E	48866	2	Pivot Spacer

Ref.	Part No.	Qty.	Description
F	1643-60	2	Plastic Grip
G	HA21362	4	Nylock Nut, 3/8"
H	43003	4	Lock Washer, 3/8"
I	43070	4	Washer, 3/8"

ASSEMBLY

CARTON CONTENTS



Ref.	Description	Part No.
1	Right Mounting Bracket	#25038
2	Left Mounting Bracket	#25037
3	Locking Lever	#64862
4	Bumper	#64614B (71-246212) #64614S (71-246221) #64614C (71-246231)

TOOLS REQUIRED

- (2) 9/16" Wrenches
- (1) 1/2" Wrench (for heat shield on page 5)

ASSEMBLING TO SINGLE ROD DECK SUSPENSION TRACTORS

IMPORTANT: If your tractor has a single mower deck suspension bracket located under the middle of the front axle as shown in figure 1, continue with the instructions on this page. If your tractor does not have a mower deck suspension bracket like the one shown, go to page 5.

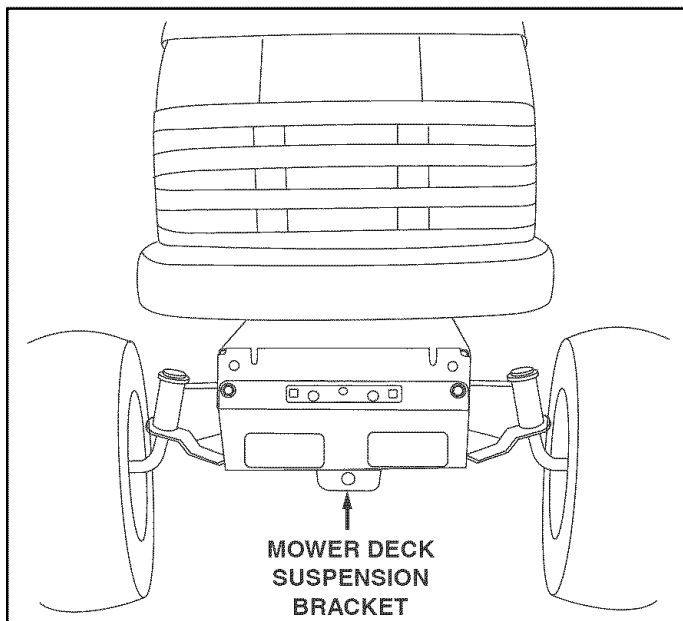


FIGURE 1

VIEWED FROM FRONT



CAUTION! Muffler is hot! Allow engine to cool down before proceeding with bumper installation.

NOTE: Right hand (RH) and left hand (LH) are determined from the operator's position while seated on the tractor.

STEP 1: (SEE FIGURE 2)

- Place cardboard on work surface.
- Identify and lay out all parts and hardware. Not all hardware will be used. Unused hardware may be discarded after assembly.
- Remove hood from tractor using instructions in your tractor owner's manual. Place hood on cardboard or on a mat to protect paint.
- Remove the browning shield from the front of the tractor as shown.

IMPORTANT: Be sure to reattach the browning shield after bumper is installed.

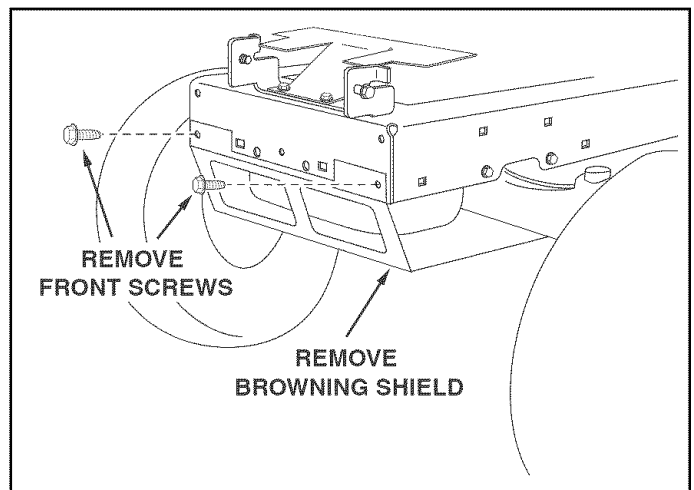


FIGURE 2

STEP 2: (SEE FIGURE 3)

- Place plug (D) on a work bench or solid table and push end of bumper down onto plug. Repeat for all four plugs.

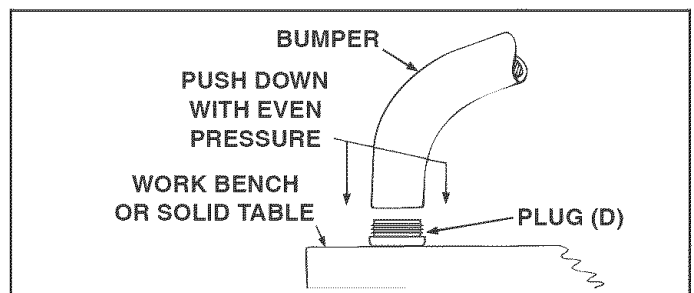


FIGURE 3

STEP 3: (SEE FIGURE 4)

- Attach left mounting bracket to hole shown in left side of tractor frame using a hex bolt (C), flat washer (I) and nylock nut (G). Align middle hole in bracket with empty hole in tractor frame. Tighten nylock nut (G) only enough to keep bracket in alignment until step 4. Repeat for right mounting bracket.

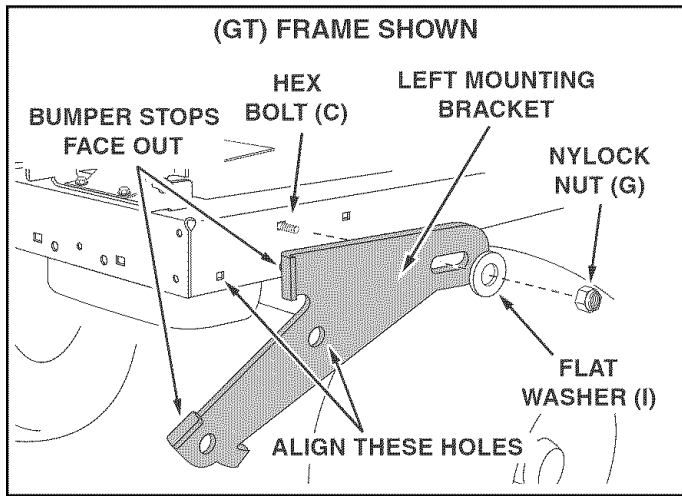


FIGURE 4

LEFT SIDE VIEW

STEP 5: (SEE FIGURE 6)

- Replace the front screws and browning shield you removed in **Step 1** as shown.

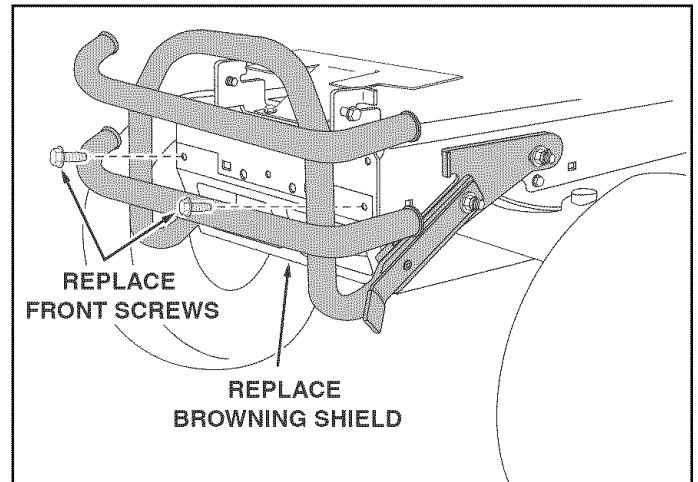


FIGURE 6

LEFT SIDE VIEW

STEP 4: (SEE FIGURE 5)

- Fasten bumper to mounting bracket using a hex bolt (B), pivot spacer (E), a locking lever, a flat washer (I) and a nylock nut (G) as shown. The pivot spacer inserts into hole in bumper. **Tighten both nuts** on mounting bracket at this time. Repeat for other side.
- Assemble plastic grips (F) onto locking levers.
- Lift up on bumper until pins in locking levers snap into holes in mounting brackets.

IMPORTANT: You must lower bumper before raising tractor hood. Pull out on locking levers and push bumper down as far as it will go.

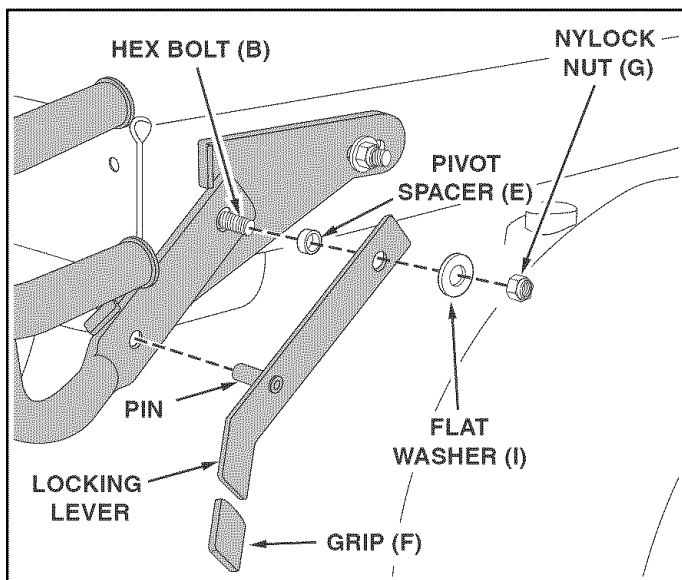


FIGURE 5

LEFT SIDE VIEW

ASSEMBLING TO DUAL ROD DECK SUSPENSION TRACTORS

IMPORTANT: These instructions are for tractors with dual mower deck suspension brackets like the examples shown in figure 2 on this page..



CAUTION! Muffler is hot! Allow engine to cool down before proceeding with bumper installation.

NOTE: Right hand (RH) and left hand (LH) are determined from the operator's position while seated on the tractor.

STEP 1:

- Place cardboard on work surface.
- Identify and lay out all parts and hardware. Not all hardware will be used. Unused hardware may be discarded after assembly.
- Remove tractor hood. (Refer to tractor manual.) Place hood on cardboard or on a mat to protect paint.

STEP 2: (SEE FIGURE 1)

- If you have an (LT) Lawn Tractor with a heat shield like the one shown, remove the heat shield.

IMPORTANT: Be sure to re-attach the heat shield after bumper is installed.

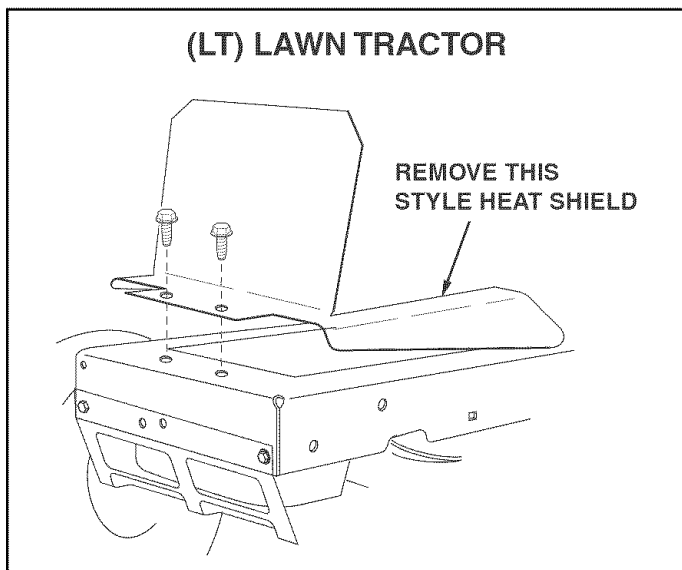


FIGURE 1

STEP 3: (SEE FIGURE 2)

IMPORTANT: Do not remove any bolts from the tractor frame while the mower deck is raised. Misalignment of holes in frame could result.

- Lower mower deck to rest on ground.
- Remove bolts from mounting holes on both sides of tractor frame. Use a mounting bracket to help identify holes.

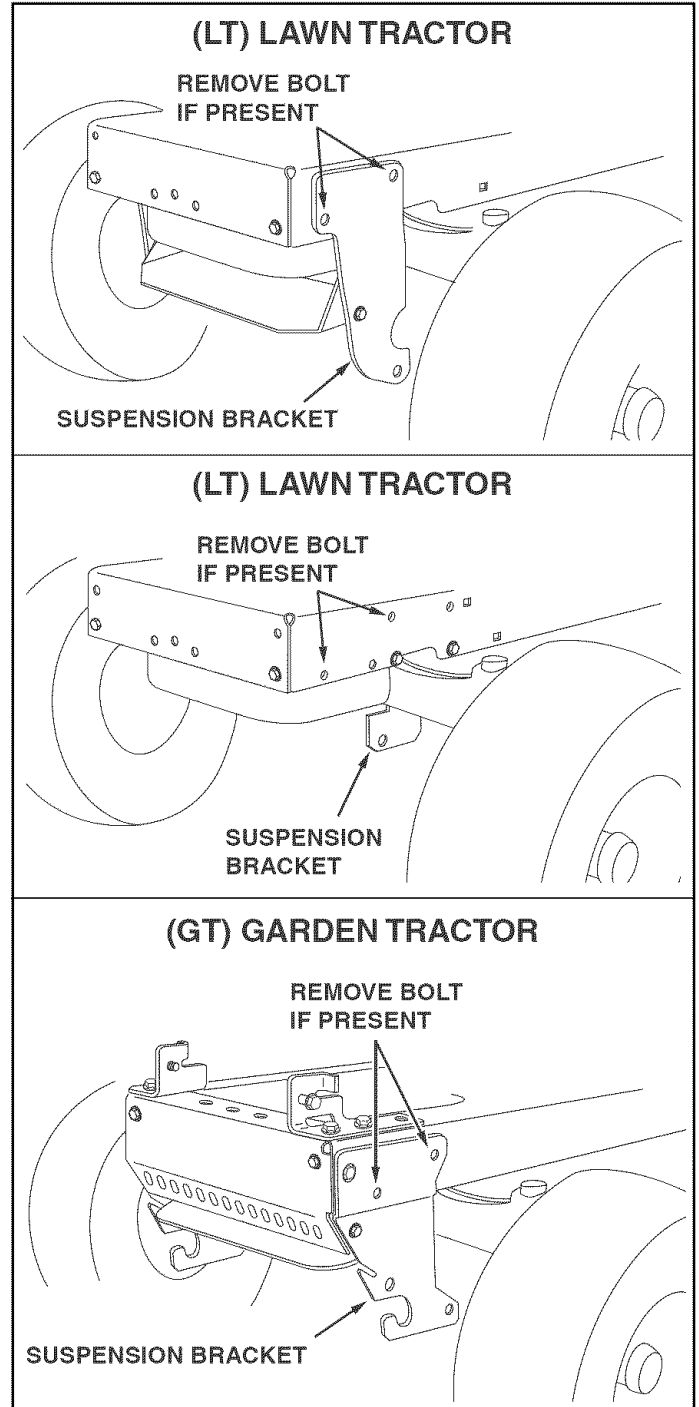


FIGURE 2

STEP 4: (SEE FIGURE 3)

- Attach left mounting bracket to hole shown in left side of tractor frame using bolt (C), lock washer (H) and flat washer (I). Align middle hole in bracket with empty hole in tractor frame and tighten bolt (C) to hold bracket in place. Repeat for right mounting bracket.

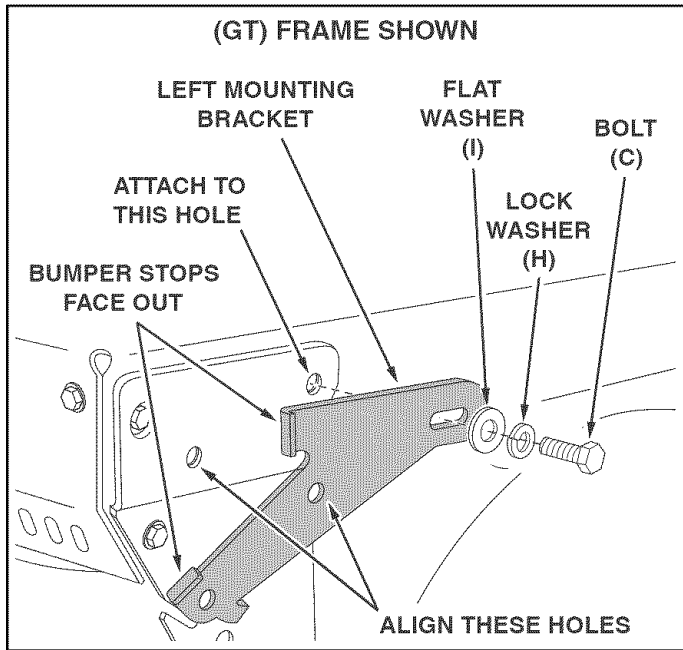


FIGURE 3 LEFT SIDE VIEW

STEP 5: (SEE FIGURE 4)

- Place plug (D) on a work bench or solid table and push end of bumper down onto plug. Repeat for all four plugs.

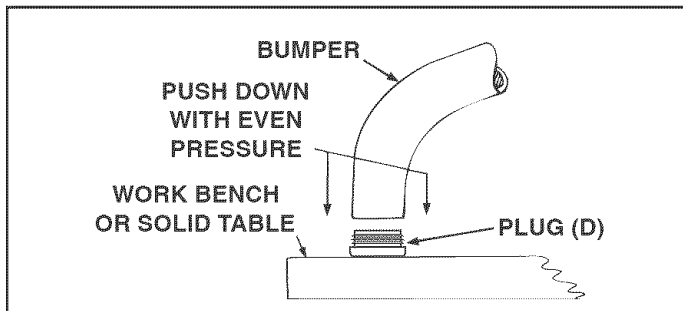


FIGURE 4

STEP 6: (SEE FIGURES 5 AND 6)

- Assemble plastic grips (F) onto locking levers.
- To attach bumper to tractor:
 1. Place flattened ends of bumper onto mounting brackets. Insert pin of locking lever through front hole in bumper and into front hole in mounting bracket to support bumper on mounting bracket.
 2. Insert pivot spacers (E) into rear holes in bumper.

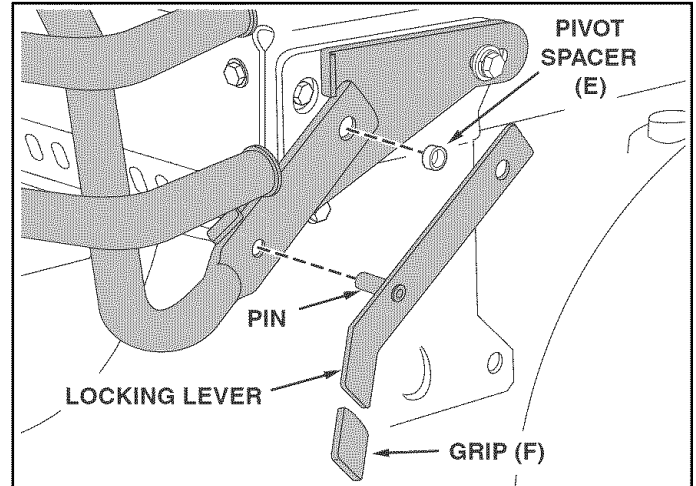


FIGURE 5 LEFT SIDE VIEW

3. Fasten locking lever and bumper to mounting bracket using a screw (A) or bolt (B), a lock washer (H) and a flat washer (I). Use screw (A) for LT tractors and bolt (B) for GT tractors. Assemble screw or bolt through pivot spacer in rear hole in bumper and into tractor frame. **Tighten.** Repeat for other side.

NOTE: If hole in (LT) tractor frame is not threaded, push in while turning screw (A) to create threads in hole.

IMPORTANT: You must lower bumper before raising tractor hood. Pull out on locking levers and push bumper down as far as it will go.

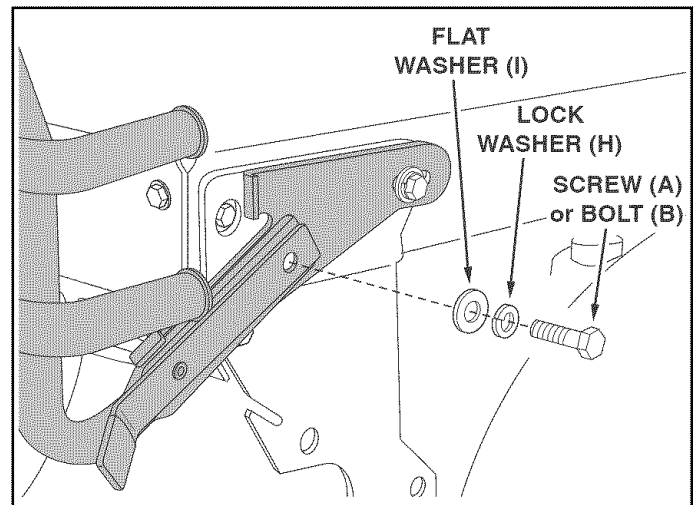
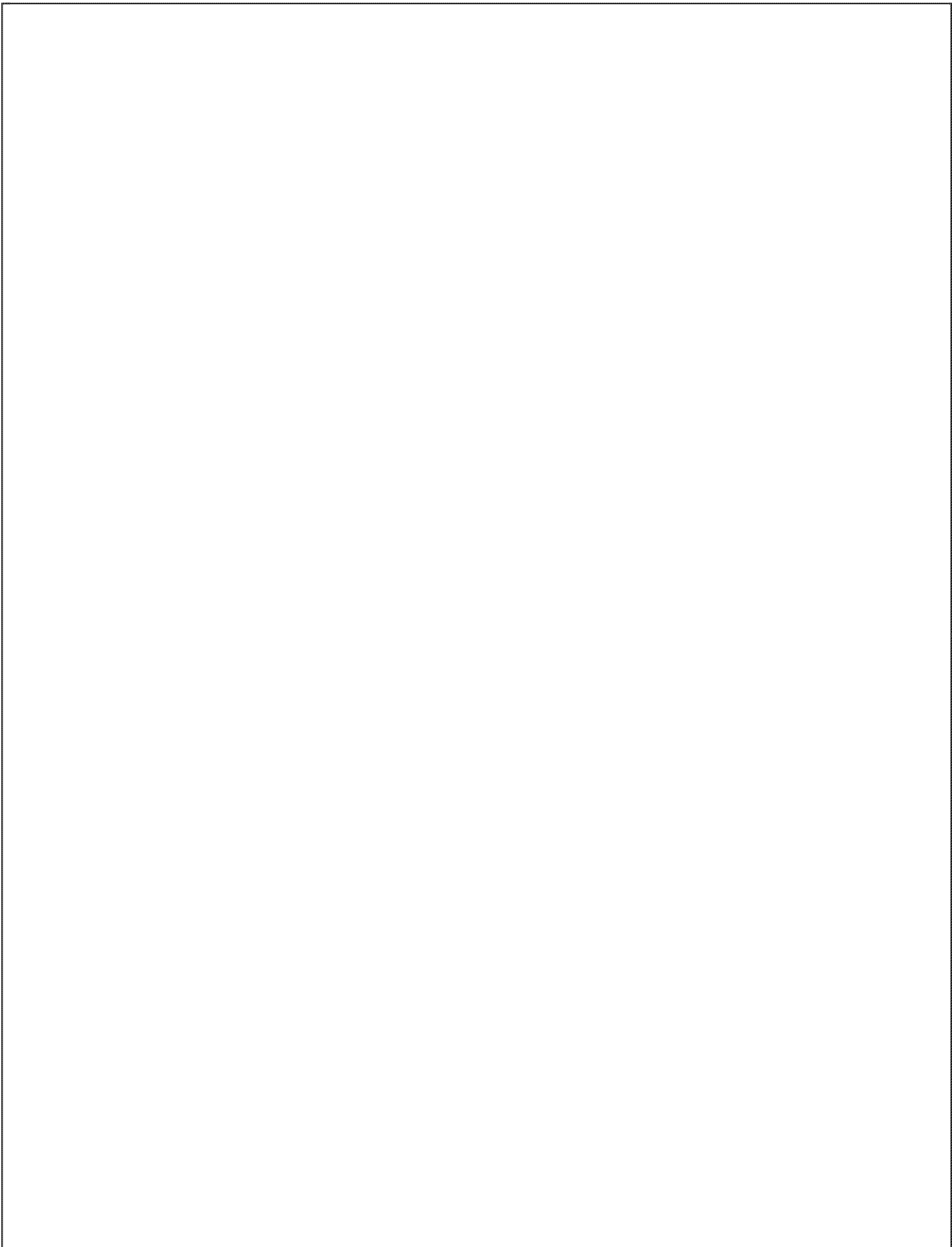


FIGURE 6 LEFT SIDE VIEW



Get it fixed, at your home or ours!

Your Home

For repair – **in your home** – of **all** major brand appliances, lawn and garden equipment, or heating and cooling systems, **no matter who made it, no matter who sold it!**

For the replacement parts, accessories and owner's manuals that you need to do-it-yourself.

For Sears professional installation of home appliances and items like garage door openers and water heaters.

1-800-4-MY-HOME® (1-800-469-4663)

Call anytime, day or night (U.S.A. and Canada)

www.sears.com www.sears.ca

Our Home

For repair of carry-in items like vacuums, lawn equipment, and electronics, call or go on-line for the location of your nearest **Sears Parts & Repair Center.**

1-800-488-1222

Call anytime, day or night (U.S.A. only)

www.sears.com

To purchase a protection agreement (U.S.A.) or maintenance agreement (Canada) on a product serviced by Sears:

1-800-827-6655 (U.S.A.)

1-800-361-6665 (Canada)

Para pedir servicio de reparación a domicilio, y para ordenar piezas:

1-888-SU-HOGAR®

(1-888-784-6427)

Au Canada pour service en français:

1-800-LE-FOYER^{MC}

(1-800-533-6937)

www.sears.ca

The Sears logo is displayed in a large, bold, serif font. The word "Sears" is written in a dark color, with a light-colored underline beneath the letters "ars".