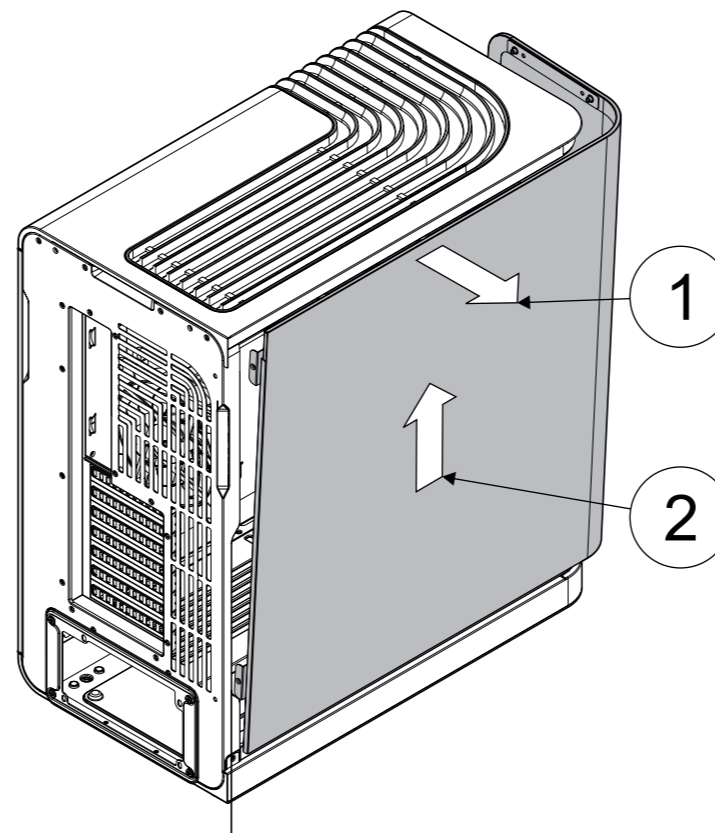


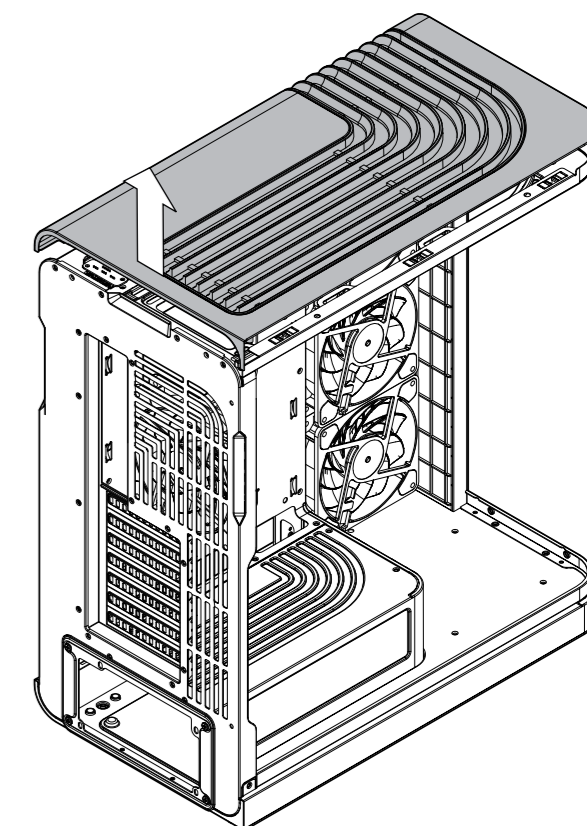
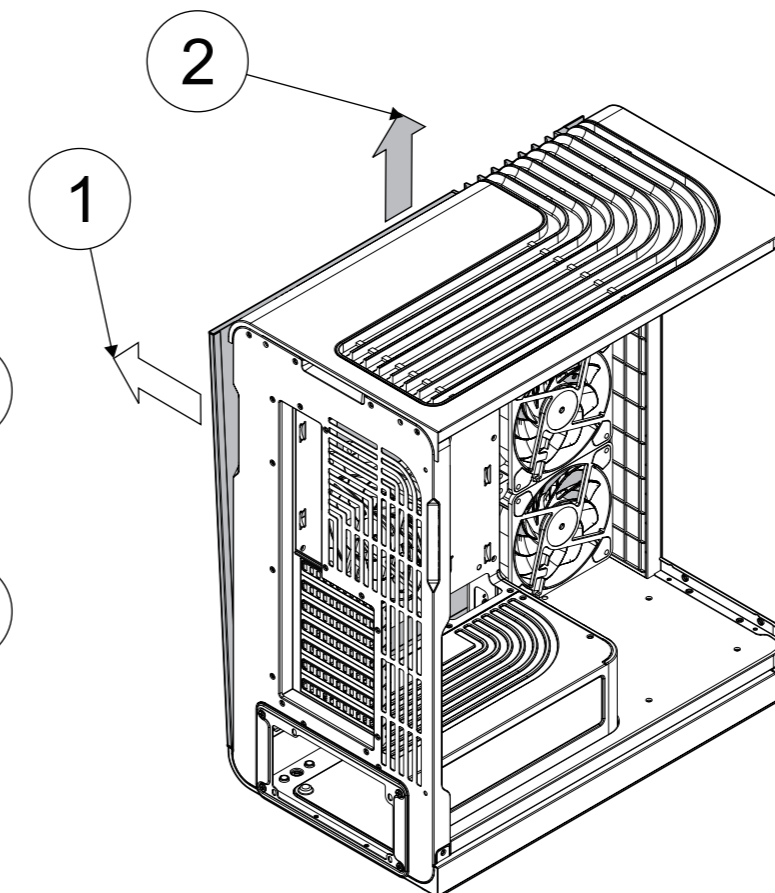
Removing Side Panels

The main glass panel can be removed by unscrewing 2 thumb screws at the rear, sliding the glass panel toward the front of the case, tilting slightly away, then lifting out of the case.



Removing Other Panels

The rear metal side panel can be removed by pulling away from the PC on a tab located at the rear of the case. The top metal panel can be removed by pulling up on a tab located at the rear of the case.



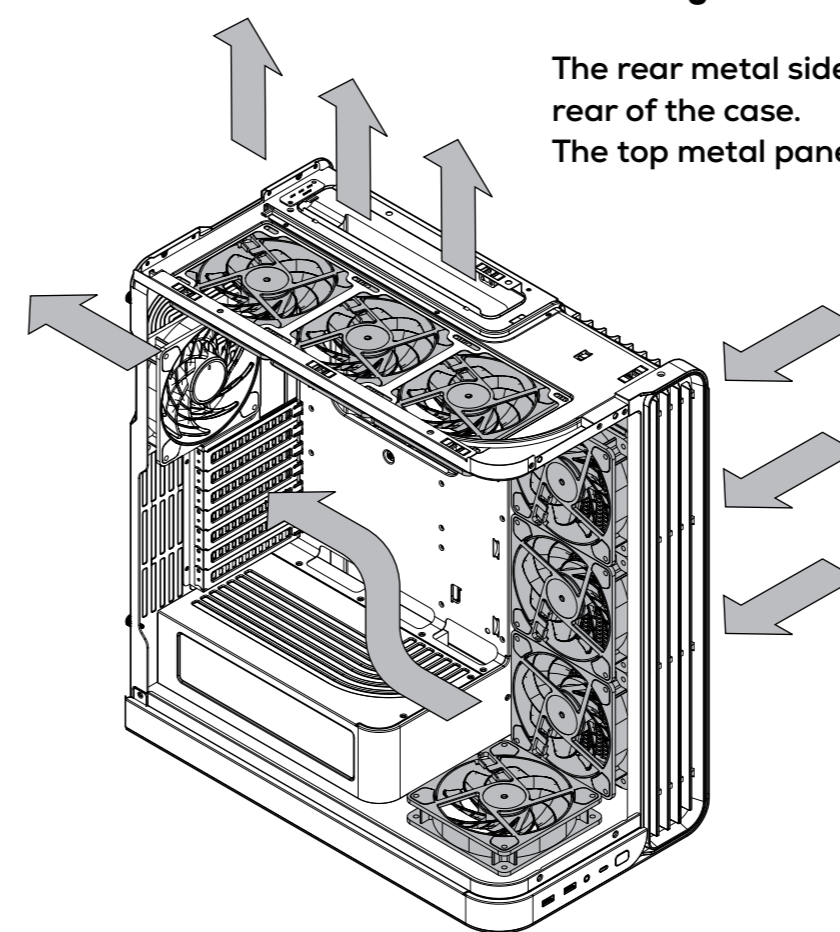
Thank you for purchasing an iBUYPOWER Trace X Case. These instructions should help you with assembly and upgrades, whether these cases were purchased standalone or configured with an iBUYPOWER Gaming PC.

Package Includes

- Case
- Assembly Screws
- Instruction Manual
- Zip Ties

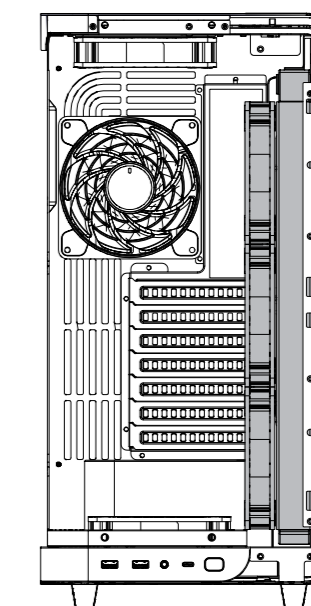
Spec and Package Contents

Material	ABS, Steel, Tempered Glass
Color	Black/White
Dimensions	448 mm L x 250 mm W x 501 mm
Motherboard Sizes	ITX, mATX, ATX
Cooling System	Side: 3x 120 mm aRGB Fans (included) Rear: 1x 120 mm aRGB Fans (included) Top: 3x 120 mm fans Bottom: 1x 120 mm Fan
Radiator Support	Side: 360/240/120 mm Rear: 120 mm
Clearance	GPU Length: 415 mm PSU Length: 230 mm CPU Cooler Height: 165 mm
Expansion Slots	7
Internal 3.5	1
Internal 2.5	2
Front Panel I/O	USB 3.2 Gen 1 Type A x 2 USB 3.2 Gen 2 Type C x 1 Audio
Dust Filters	Side, Top, Bottom



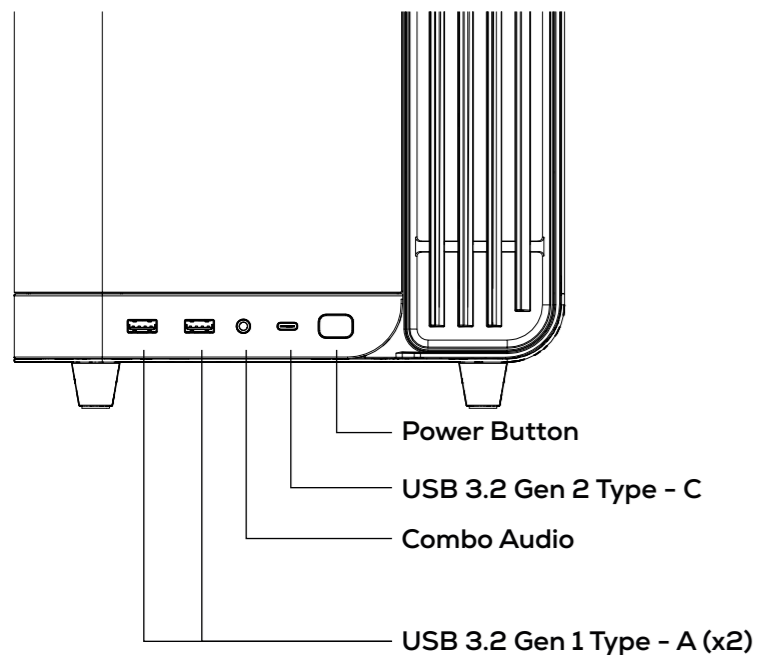
Radiator Placement

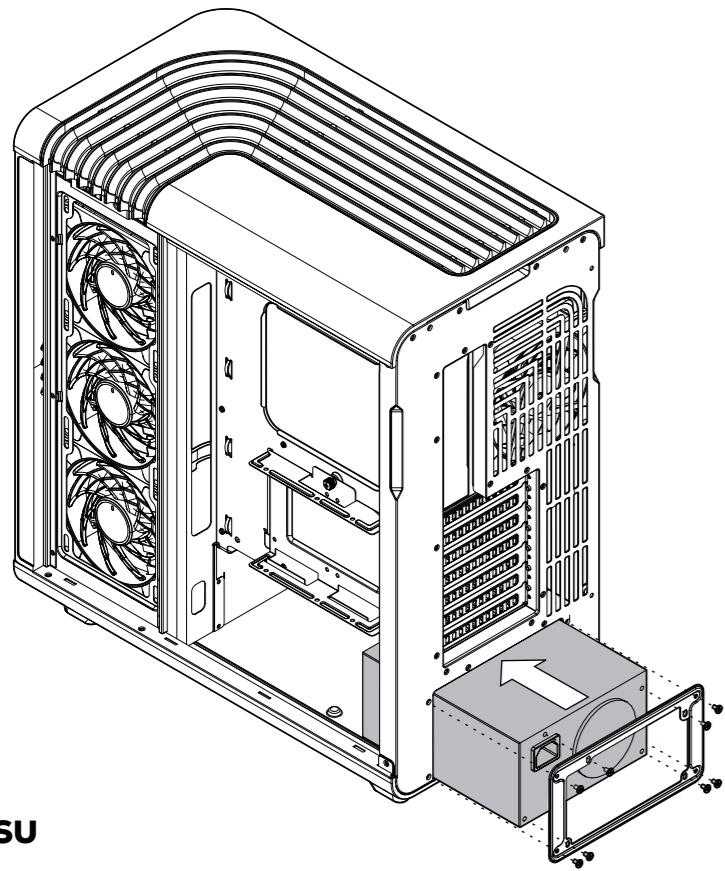
This case will fit a 360 mm radiator on the side of the case, up to 3 x 120 mm fans on the top, 1 x 120 mm fan at the rear, and 1x 120 mm fan on the bottom.



Radiator Clearance

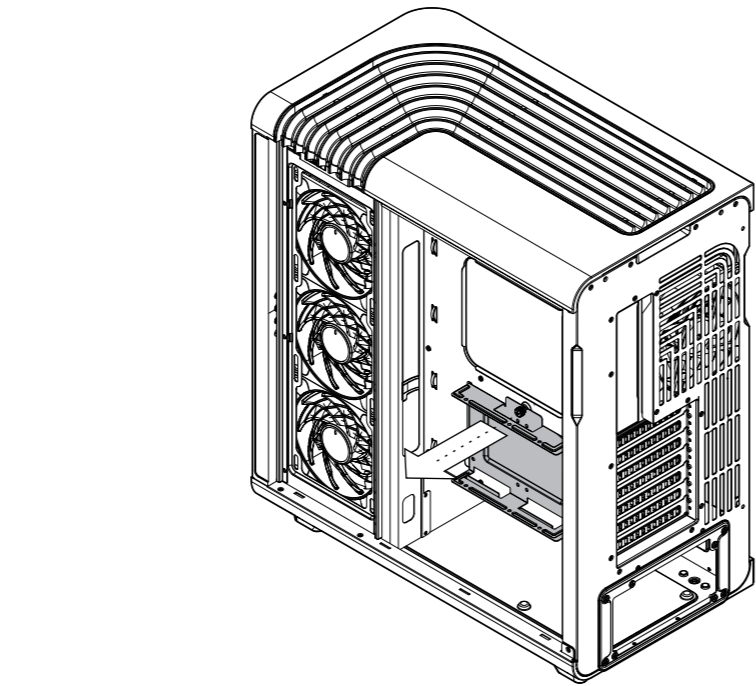
The combined thickness of the radiator and fans should be less than 55 mm to avoid conflict with the graphics card or motherboard.





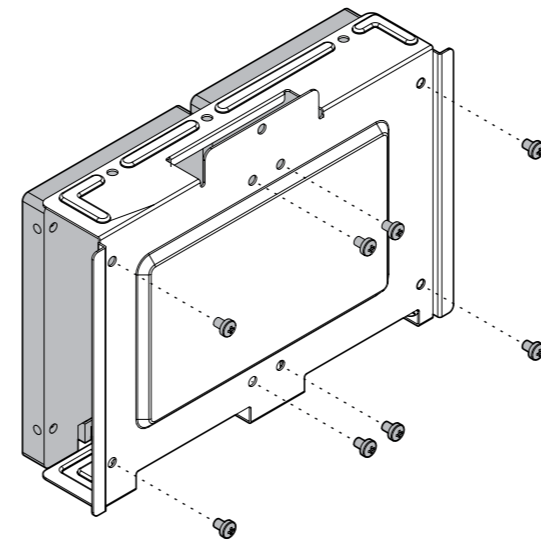
Installing PSU

The power supply installs through the rear of the case with a separate bracket.

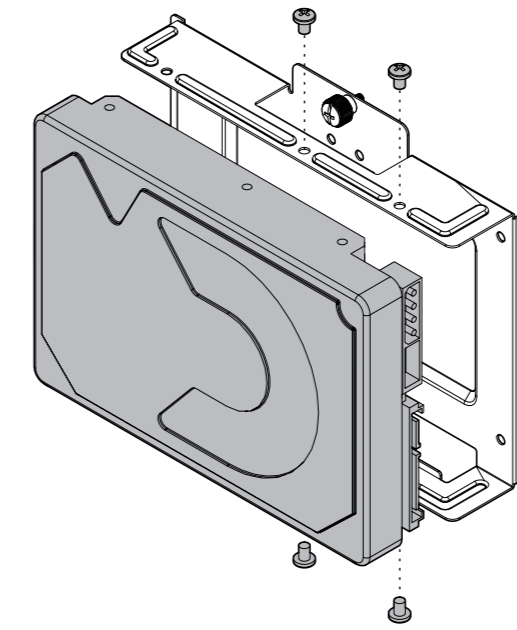


Installing Drives

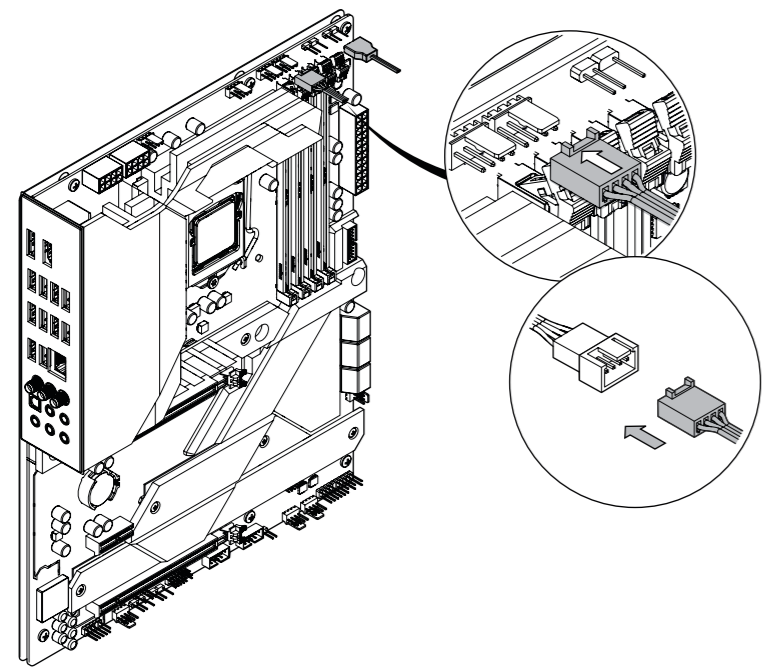
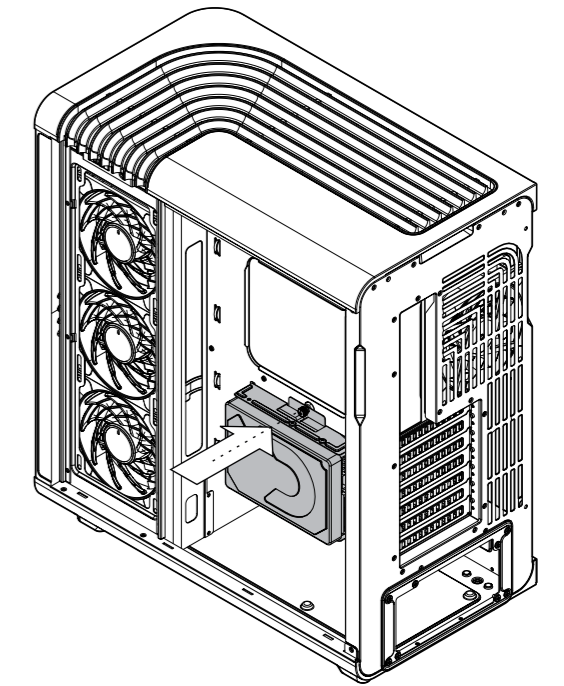
The storage tray behind the motherboard can be accessed by removing a thumb screw at the top and pulling up and out of the case. The 3.5" drive cannot be installed at the same time as 2.5" drives.



2.5" drives mount inside the storage tray with connectors facing downward.

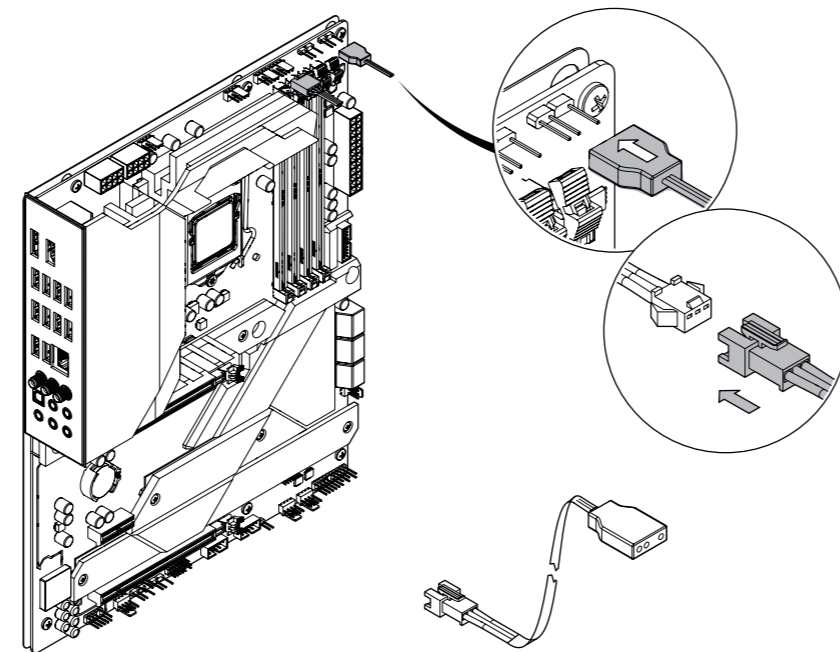


The 3.5" drive installs inside the storage tray with connectors facing towards the rear of the case.



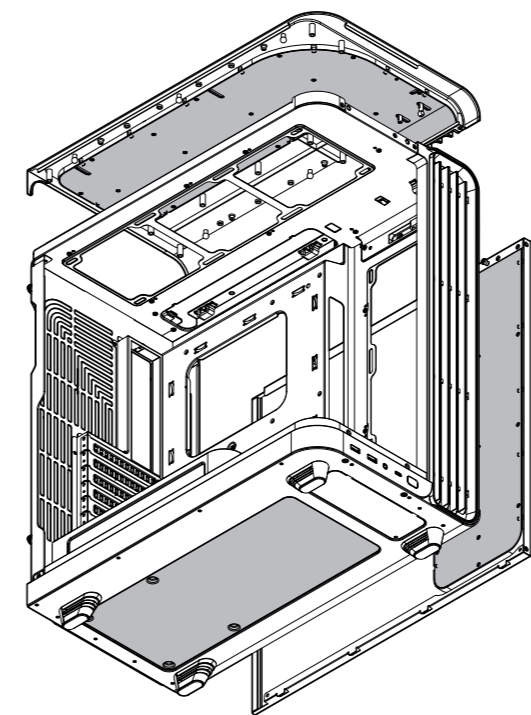
Wiring Fan

The case comes by default with 4 aRGB fans that connect with daisy-chained standard connectors. To power the fans there are PWM cables that connect to the motherboard. The connector provides both power and RPM signal and can be chained together up to 4 fans on a single header.



Wiring aRGB

The fans in this case feature addressable RGB LEDs. They receive their signal from a standard addressable RGB header which should be connected to the motherboard. Each fan can daisy-chain to an additional fan. Plastic clips are used to keep the connectors together during transport.



Dust Filters

The case features 3 dust filters. The side filter is integrated into the metal side panel. The top filter is integrated into the top panel. The bottom filter is integrated into the bottom of the case and cannot be removed.

HAVING TROUBLE? CONTACT US!

<https://www.ibuypower.com/support>

TECHNICAL SUPPORT:
Mon-Fri: 8:30am - 5:00pm PST
Toll Free: (888) 618-6040

CUSTOMER SERVICE:
Mon-Fri: 8:30am - 5:30pm PST
Toll Free: (888) 462-3899

Scan the QR code to earn rewards, gear and more!

