

# Hisense

life reimagined

## USER'S OPERATION MANUAL

Before operating this unit, please read this manual thoroughly, and retain for future reference.

**WF1Q8041BW**  
**WF1Q8041B\*1**  
**WFQP901429VM**  
**WF1Q9041B\***  
**WF1Q1041BW**

**WF1Q8041B\***  
**WF1Q8041BW2**  
**WFQP901429VM\***  
**WFQP1014EVM**  
**WF1Q1041B\***

**WF1Q8041BW1**  
**WF1Q8041B\*2**  
**WF1Q9041BW**  
**WFQP1014EVM\***

**EN**

**English**

This washing machine is intended solely for household use.  
Please do not use it for any laundry labelled as not suitable for machine washing.

The following symbols are used throughout the manual and they have the following meanings:



Information, advice, tip, or recommendation



Warning – general danger



Warning – danger of electric shock



Warning – danger of hot surface



Warning – danger of fire



It is important that you carefully read the instructions.

# CONTENTS

<b>4 SAFETY PRECAUTIONS</b> .....	<b>INTRODUCTION</b>
<b>10 WASHING MACHINE DESCRIPTION</b> 11 Technical specifications	
<b>12 INSTALLATION AND CONNECTION</b> 13 Removing the blocking screws / rods 14 Moving and transport after installation 15 Selecting the room 15 Adjusting the washing machine feet 17 Connecting to water supply 17 Aqua stop 18 Connecting and securing the water discharge hose 20 Connecting the appliance to the power mains .....	<b>PREPARING THE WASHING MACHINE BEFORE FIRST USE</b>
<b>21 BEFORE USING THE APPLIANCE FOR THE FIRST TIME</b>	
<b>22 WASHING PROCESS, STEP BY STEP (1-6)</b> 22 Step 1: Heed the labels on the laundry 23 Step 2: Preparing the washing process 27 Step 3: Choosing the washing programme 31 Step 4: Selecting additional settings and functions 35 Step 5: Starting the washing programme 36 Step 6: End of the washing programme .....	<b>STEPS OF THE WASHING PROCESS</b>
<b>37 INTERRUPTIONS AND CHANGING THE PROGRAMME</b> .....	
<b>38 MAINTENANCE &amp; CLEANING</b> 38 Cleaning the detergent compartment 39 Cleaning the water supply hose, detergent dispenser housing, and rubber door gasket 40 Cleaning the pump filter 41 Cleaning the washing machine exterior	<b>WASHING MACHINE CLEANING AND MAINTENANCE</b>
<b>42 TROUBLESHOOTING</b> 42 What to do ...? 43 Troubleshooting and error table 44 Servicing .....	
<b>45 RECOMMENDATIONS FOR WASHING AND ECONOMIC USE YOUR WASHING MACHINE</b> 46 Stain removal tips <b>48 DISPOSAL</b> <b>49 TYPICAL CONSUMPTION TABLE</b>	<b>MISCELLANEOUS</b>

# SAFETY PRECAUTIONS



**Carefully read the instructions for use before using the washing machine.**

**Please, do not use the washing machine without reading and understanding these instructions or use first.**

**These instructions for use of a washing machine are supplied with different types or models of washing machines. Therefore, they may include descriptions of settings or equipment that are not available in your washing machine.**

Failure to observe the instructions for use or inappropriate use of the washing machine may result in damage to the laundry or the appliance, or injury to the user. Keep the instruction manual handy, near the washing machine.

**This appliance is intended to be used in household.**

If the washing machine is used for professional, for-profit purpose or purpose exceeding normal use in a household, or if the washing machine is used by a person who is not a consumer, the warranty period shall be equal to the shortest warranty period required by relevant legislation.

Follow the instructions for correct installation of the washing machine and connection to the water and power mains (see chapter »INSTALLATION AND CONNECTION«). Connection to water and power supply has to be executed by an adequately trained technician or expert.

Any repair and maintenance pertaining to safety or performance should be done by trained experts. To avoid danger, **a damaged power** cord may only be replaced by the manufacturer, a service technician, or an authorized person.

**Before connecting the washing machine to the power mains, wait for at least 2 hours until it reaches room temperature.**

**This product must be serviced by an authorized Service Center, only use approved spare parts by authorized manufacturers.**

**Under no circumstances should you attempt to repair the appliance yourself. Repairs carried out by inexperienced persons may cause injury or more serious malfunctioning. Refer to your local Service Center, and always insist on genuine spare parts.**

In case of incorrect washing machine connection, incorrect use, or servicing by an unauthorized person, the user shall bear the cost of any damage as such damage shall not be covered by warranty.

The washing machine may not be connected to the power mains using an extension cord. Do not connect the washing machine to power mains using an external switching device such as a programme timer, or connect it to power mains that is regularly switched on and off by the power supply provider.

Do not connect the washing machine to an electrical outlet intended for an electric shaver or hair dryer.

The power socket has to be safely earthed, and the water supply should be unimpeded.

**Do not install the washing machine in a room where the temperature can drop to below 5°C**, as washing machine parts may be damaged in case of water freezing.

Place the washing machine on a level and stable solid (concrete) base.

If the washing machine is placed on an elevated stable base, the washing machine has to be additionally secured against tipping.

**Before the first use of the washing machine, remove the blocking rods**, as switching on a blocked washing machine can result in serious damage (see chapter »INSTALLATION AND CONNECTION/Removing the blocking rods«). Warranty shall be void in cases of such damage.

**To connect the washing machine to water supply**, make sure to use the supplied water supply hose and gaskets. Water pressure has to be between 0.1–1 MPa (1-10 bar; 1–10 kp/cm<sup>2</sup>; 10–100 N/cm<sup>2</sup>).

Always use a new water supply hose to connect the washing machine to water supply; do not reuse an old water supply hose.

The end of the water discharge hose should reach into a water drain line.

Before the start of the washing cycle, press the door on the indicated spot until it locks into place. The door cannot be opened during washing machine operation.


**We recommend removing any impurities from the washing machine drum before the first wash** using the Drum clean programme (see PROGRAMME TABLE).

**After the washing cycle, close the water tap and pull out the washing machine plug from the power socket.**

Only use the washing machine for washing laundry, as described in the instruction manual. The machine is not intended for dry cleaning.

Only use agents for machine washing and care of laundry. We shall not be responsible for any damages or discolouration of gaskets and plastic parts resulting from incorrect use of bleaching or colouring agents.

**When descaling**, only use descaling agents with added anti-corrosion protection. (Only use non-corrosive descaling agents.) Follow the manufacturer's instructions. Finish the descaling process with several rinse cycles or by running the Drum clean (Self-cleaning programme) in order to remove any residual acid (e.g. vinegar etc.).

 Do not use detergents that contain solvents as this could lead to release of poisonous gases, damage to the washing machine, and risk of fire and explosion.

The washing machine is not intended for use by persons (including children) with physical or mental impairments, or persons with lacking experience and knowledge. These persons should be instructed about the use of the washing machine by a person responsible for their safety.

**The warranty does not cover** consumables, minor deviations in colour, increased noise that results from appliance age and which does not affect the functionality of the appliance, and aesthetic defects on components, which do not affect the functionality and safety of the appliance.

## **CHILD SAFETY**

Before closing the washing machine door and running the programme, make sure there is nothing except laundry in the drum (e.g. if a child climbed into the washing machine drum and closed the door from the inside).

Keep the detergent and conditioner out of reach of children.

**Activate the child lock.** See chapter »CHOOSING THE SETTINGS/Child lock«.

**Do not let children younger than three years come near the appliance, unless they are under constant supervision.**

**The washing machine is made in compliance with all relevant safety standards.**

This washing machine may be used by children aged 8 years and above and by persons with reduced physical, sensory or mental capabilities or lack of experience and knowledge, but only if they are supervised during the use of

the washing machine, if they have been provided relevant instructions regarding safe use of the washing machine, and if they understand the hazards of inappropriate use. Make sure children do not play with the appliance. Children may not clean the washing machine or perform any maintenance tasks without supervision.

### **DANGER OF HOT SURFACE**

At higher washing temperatures, the door glass will heat up. Be careful to avoid burns. Make sure children do not play near the door glass.

### **WATER OVERFLOW PROTECTION (WITH WASHING MACHINE SWITCHED ON)**

If the water level in the appliance rises above normal level, then the excess water level protection will be activated. It will shut off the water supply and start pumping out the water. The program is interrupted and an error is reported.

### **TRANSPORT/TRANSPORT AFTER INSTALLATION**

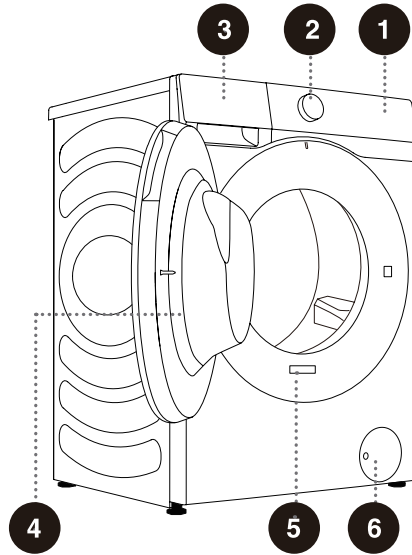
If you intend to move the washing machine after it has been installed, then it should be blocked by inserting at least one blocking rod (see chapter »INSTALLATION AND CONNECTION/Moving and transport«). Before inserting the blocking rods, disconnect the washing machine from the power mains!

If the supply cord is damaged, it must be replaced by the manufacturer, its service agent or similarly qualified persons in order to avoid a hazard.

# WSAHING MACHINE DESCRIPTION

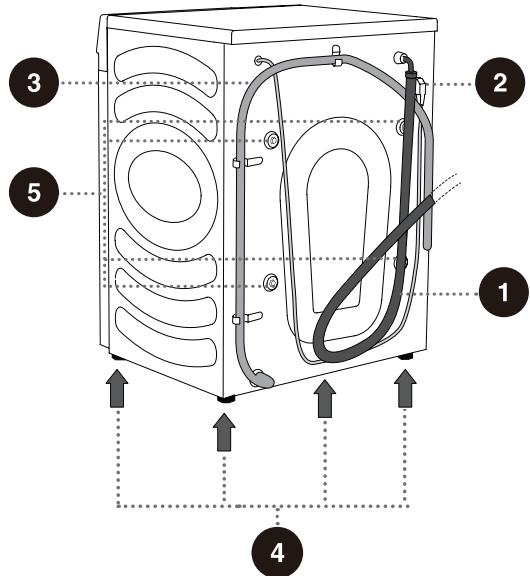
## FRONT

- 1 Control unit
- 2 Programme selector knob
- 3 Detergent compartment
- 4 Door
- 5 Rating plate
- 6 Pump filter cover



## BACK

- 1 Water supply hose
- 2 Power cord
- 3 Water discharge hose
- 4 Adjustable feet
- 5 Blocking rods/screws



⚠ The illustrations in this manual are for reference purpose only. As our products are subject to continual improvement, the appearance, color and functional parts of your actual product may vary from the illustrations.

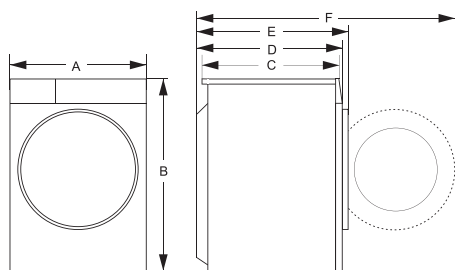
# TECHNICAL SPECIFICATIONS

## (DEPENDING ON THE MODEL)

Rating plate with basic information about the washing machine is fitted on the front wall of the washing machine door opening (see chapter »WASHING MACHINE DESCRIPTION«).

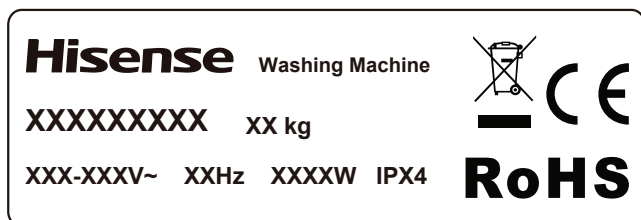
<b>Maximum load</b>	8kg	9kg	10kg
<b>Washing machine weight</b>	58kg	58kg	62kg
<b>Rated Voltage</b>	220-240 V~	220-240 V~	220-240 V~
<b>Frequency</b>	50 Hz	50 Hz	50 Hz
<b>Rated power</b>	1650 W	1650 W	1650 W

## Dimensions(mm)



Index	Dimension(mm)		
	8kg	9kg	10kg
A	595	595	595
B	845	845	845
C	460	460	480
D	510	510	550
E	540	540	590
F	1000	1000	1040

Rating plate



# INSTALLATION AND CONNECTION

⚠ Remove all packaging. When removing the packaging, make sure not to damage the appliance with a sharp object. Keep the packaging material (plastic bags, other plastic parts etc.) out of reach of children.

Check for any damage on the appliance. If you suspect the appliance is damaged, do not use it and immediately contact the service unit.

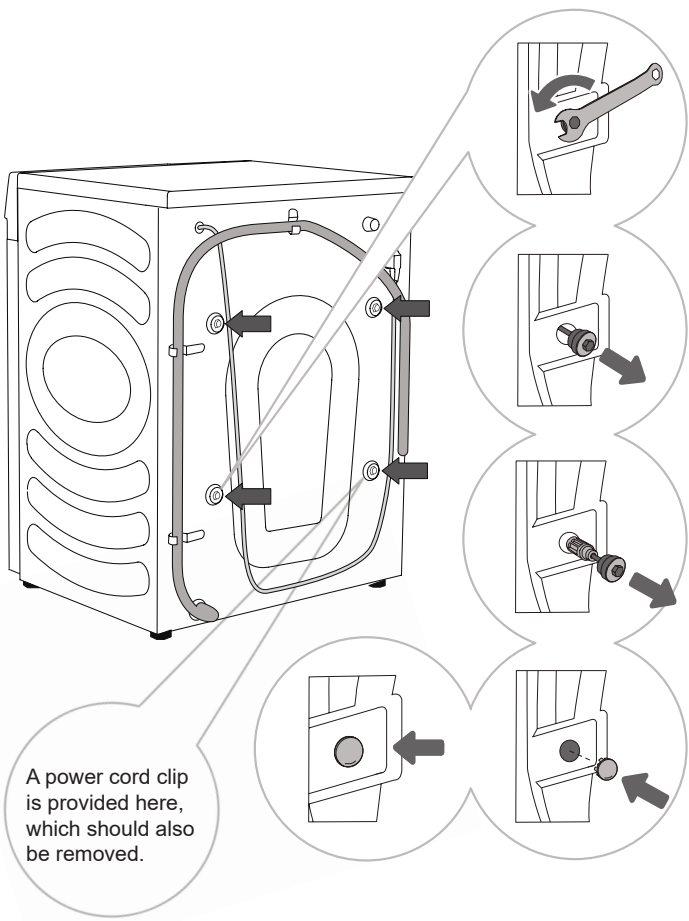
The appliance is supplied with a support set that includes:

- Instructions for use;
- 4 plastic plugs;
- Supply hose;
- Drain hose holder;
- Wrench.

Make sure all of the above is supplied.

# REMOVING THE BLOCKING SCREWS/RODS

⚠ Before the first use of the appliance, transport screws/rods must be removed. A blocked appliance may be damaged when it is switched on for the first time. Warranty shall be void in cases of such damage.



A power cord clip is provided here, which should also be removed.

**1** Move aside the hoses and use a fitting spanner to undo the 4 screws on the back of the appliance by turning them counter clockwise, as indicated by the arrow. Undo them by approximately 30 mm.

**2** Pull all 4 transport screws/rods horizontally.

**3** Pull out the transport screws/rods complete with the rubber and the plastic part.

**4** Cover the four holes through which the blocking screws/rods were inserted with plastic plugs. The plastic plugs are supplied in the bag with the washing machine instruction manual (the support set).

⚠ Save the transport screws/rods in case you have to transport the appliance again later (to reinstall the blocking screws/rods, follow the above procedure in reverse order).



## MOVING AND TRANSPORT AFTER INSTALLATION

⚠ If you wish to move the washing machine after it has been installed, the blocking screws/rods have to be re-installed to prevent vibration damage to the washing machine during transport (see chapter» INSTALLATION AND CONNECTION/Removing the blocking screws/rods«). If you lost the blocking screws/rods, they can be ordered from the manufacturer.

Pack all the packaging material (plastic bags, other plastic parts etc.).

**⚠ After transport, the washing machine should be left to stand still for at least two hours before it is connected to the power mains, so that it can reach room temperature. The appliance should be installed and connected by a trained technician.**

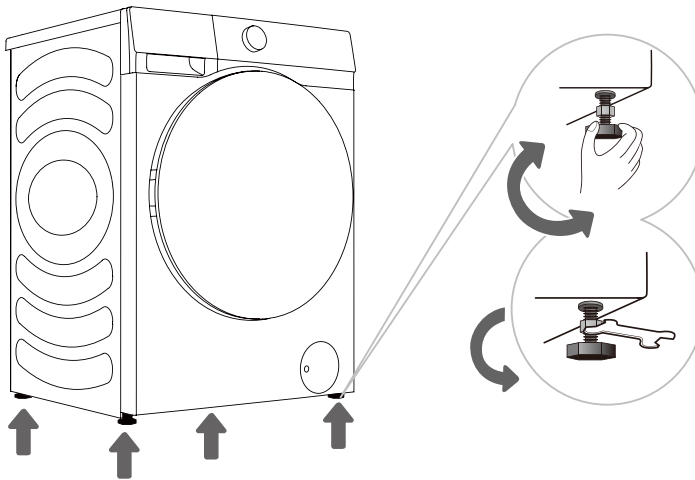
**⚠ Carefully read the instructions for use before connecting the washing machine. Repair or any warranty claim resulting from incorrect connection or use of the washing machine shall not be covered by the warranty.**

## SELECTING THE ROOM

⚠ The washing machine must stand level and stable on a solid ground. Ground on which the washing machine is placed must have a concrete base. It should be clean and dry; otherwise, the washing machine may slide. Also, clean the bottom surface of adjustable feet.

## ADJUSTING THE WASHING MACHINE FEET

Use a spirit level and the supplied spanner.



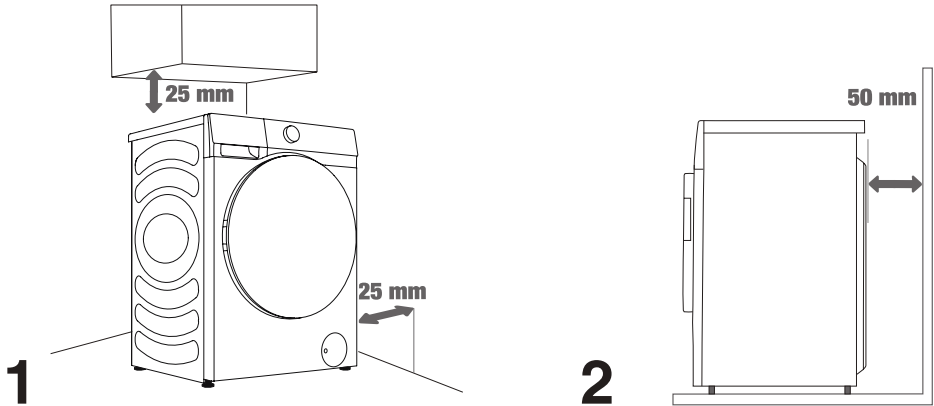
.....  
**1** Rotate the adjustable feet to level the washing machine lengthwise and crosswise. The feet allow levelling by +/- 2 cm.  
.....

**2** After adjusting the height of the feet, firmly tighten the jam nuts (counter nuts) using the supplied spanner by turning them towards the bottom of the washing machine ↑ (see figure).

⚠ Incorrect levelling of the washing machine with the adjustable legs may cause vibration, appliance sliding across the room, and loud operation. Incorrect levelling of the washing machine is not subject to warranty.

⚠ Sometimes, unusual or louder noise may appear during appliance operation; these are mostly the result of improper installation.

# Washing machine installation clearances

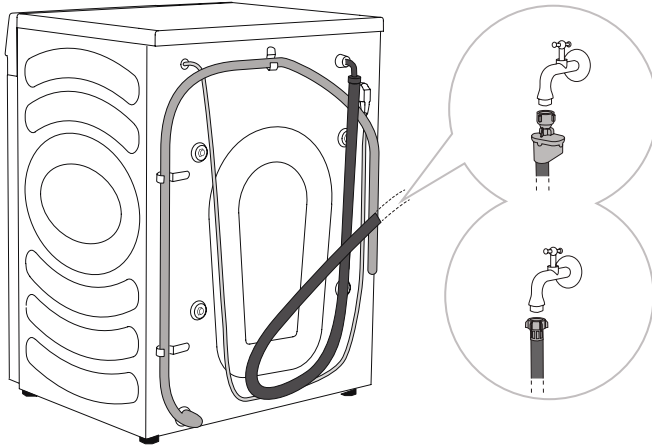


⚠ The washing machine may not be in contact with a wall or adjacent furniture. For optimum washing machine operation, we recommend observing the clearances from the walls as indicated in the figure.

In case of failure to observe the minimum required clearances, safe and correct washing machine operation cannot be ensured. Moreover, overheating can also occur (figures 1 and 2).

# CONNECTING TO WATER SUPPLY

Attach the hose to the water tap by screwing it onto the thread.



.....  
**A** AQUA STOP

.....  
**B** REGULAR CONNECTION

⚠ For normal washing machine operation, the pressure in the water mains should be between 0.1–1 MPa (1–10 bar; 1–10 kp/cm<sup>2</sup>; 10–100 N/cm<sup>2</sup>). Minimum dynamic water pressure can be determined by measuring the water flow. In 15 seconds, 3 litres of water should flow from a fully open tap.

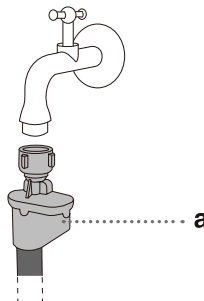
⚠ Tighten the water supply hose by hand, firmly enough for the hose to have a good seal (max. 2 Nm). After connecting the hose, the seal must be checked for any leaks. Do not use pliers or similar tools when connecting the hose as this could damage the nut thread.

⚠ Only use the water supply hose supplied with the appliance. Do not use any used or other hoses.

⚠ Make sure the hose is not damaged. If the hose is degraded, brittle, or cracked, it has to be replaced.

## AQUA STOP (ONLY WITH SOME MODELS)

If an internal tube or hose is damaged, a shut-off system is activated that cuts the water supply to the washing machine. In such case, the control glass (a) will turn red. Replace the water supply hose.



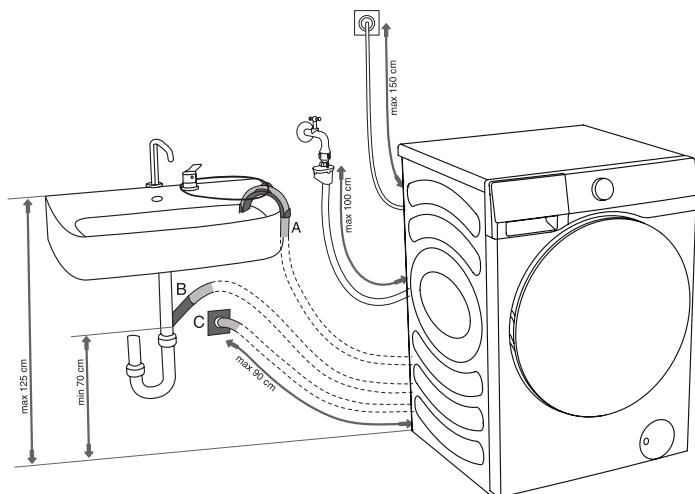
⚠ Do not dip the water supply hose with the Aqua stop system in water as it contains an electric valve.

⚠ The water supply hose can be connected without a non-return valve.

⚠ When connecting the water supply hose, make sure to connect it in a way that allows adequate and unobstructed water supply.

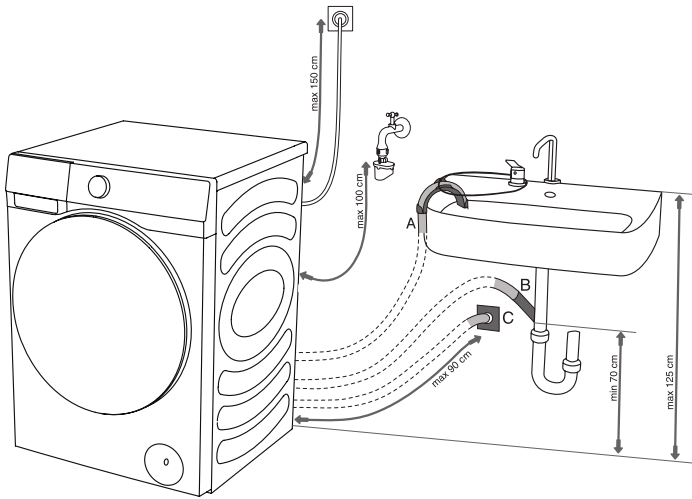
## CONNECTING AND SECURING THE WATER DISCHARGE HOSE

Feed the water discharge hose into a washbasin or a bathtub, or connect it directly to a drain (discharge hose minimum diameter 4 cm). The vertical distance from the floor to the end of the discharge hose may be no more than 100 cm and no less than 60 cm. It can be attached in three ways (A, B, C).

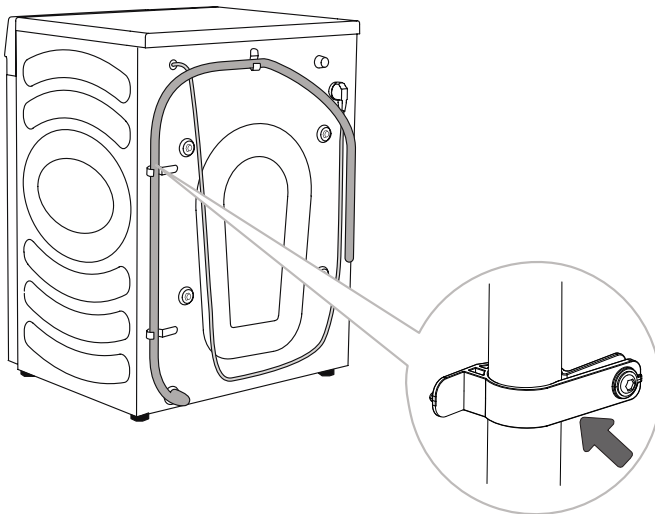


**A** Discharge hose end may be placed over a sink or a bathtub. B Use a string fed through the opening in the elbow support to attach the hose and prevent it from slipping to the floor.

**B** Discharge hose may also be attached directly to the sink drain. A sink that is too small is not acceptable. Be careful as the drained water may be hot.



**C** Discharge hose can also be attached to a wall drain with a trap; such trap should be properly installed to allow cleaning.

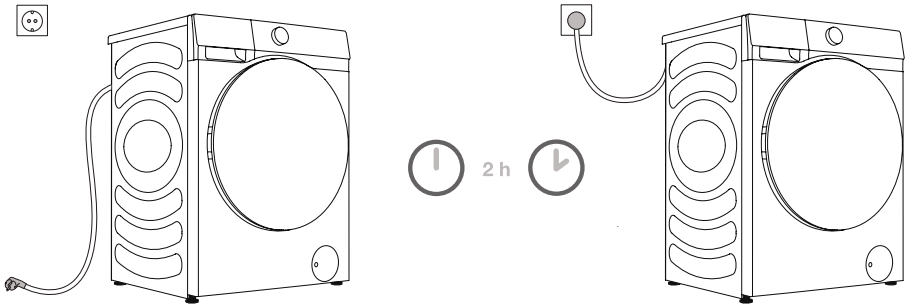


**D** The discharge hose has to be attached and affixed to the pin on the back of the washing machine, as shown in the figure.

⚠ Make sure the drain hose is not damaged.

⚠ If the discharge hose is not correctly attached, safe and correct washing machine operation cannot be ensured.

# CONNECTING THE APPLIANCE TO THE POWER MAINS



**⚠ Before connecting the washing machine to the power mains, wait for at least 2 hours until it reaches room temperature.**

Connect the washing machine to a grounded power outlet. After installation, the wall outlet should be freely accessible. The outlet should be fitted with an earth contact (in compliance with the relevant regulations).

Information on your washing machine is indicated on the rating plate.

**⚠ We recommend using over-voltage protection to protect the appliance in case of a lightning strike.**

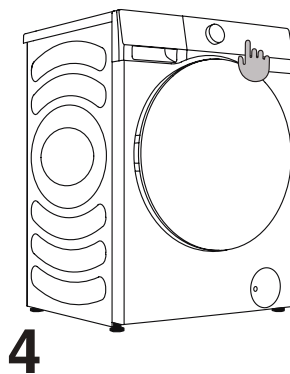
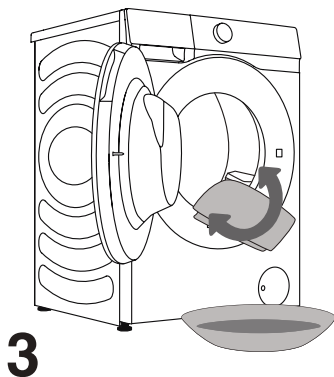
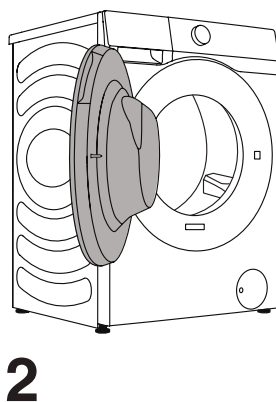
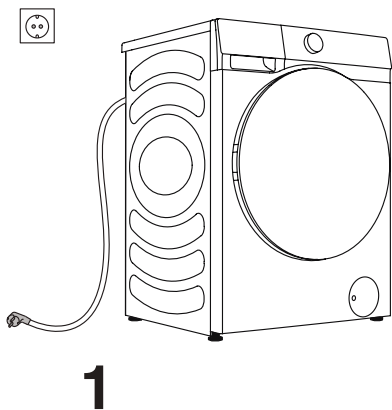
**⚠ The washing machine may not be connected to the power mains using an extension cord.**

- ⚡ Do not connect the washing machine to an electrical outlet intended for an electric shaver or hair dryer.
- ⚡ Do not plug or unplug the appliance when your hands are wet.
- ⚡ Any repair and maintenance pertaining to safety or performance should be done by trained experts.
- ⚡ A damaged power cord may only be replaced by a person authorized by the manufacturer.

# BEFORE USING THE APPLIANCE FOR THE FIRST TIME

Make sure the washing machine is disconnected from the power mains; then, open the door towards you (figures 1 and 2).





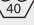





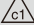









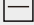





Before using the appliance for the first time, clean the drum using a soft and moist cotton cloth, or use the Drum Clean program. In such case, connect the appliance to the power mains and open the water tap. There should not be any laundry in the drum; the drum should be empty (Figures 3 and 4).



**⚠** Do not use any solvents or cleaning agents that could damage the washing machine (please observe the recommendations and warnings provided by the cleaning agent manufacturers).

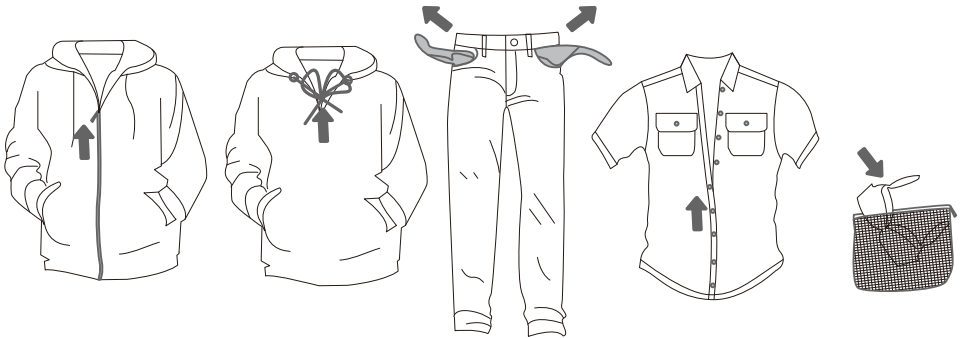
# WASHING PROCESS, STEP BY STEP (1–6)

## STEP 1: HEED THE LABELS ON THE LAUNDRY

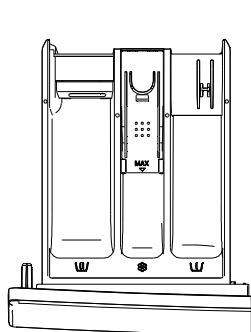
<b>Normal wash; Sensitive laundry</b>	Max. washing temp. 95°C  	Max. washing temp. 60°C  	Max. washing temp. 40°C  	Max. washing temp. 30°C  	Hand wash only 	Do not wash 
<b>Bleaching</b>	Bleaching in cool water 			Bleaching not allowed 		
<b>Dry cleaning</b>	Dry cleaning with all agents 	Petroleum solvent R11, R113 	Dry cleaning in kerosene, pure alcohol, and R113 	Dry cleaning not allowed 		
<b>Ironing</b>	Hot ironing, max. 200°C 	Hot ironing, max. 150°C 	Hot ironing, max. 110°C 	Ironing not allowed 		
<b>Drying</b>	Dry flat (place on a flat surface) 	Drip dry   Line dry 		High temperature   Low temperature 		Do not tumble dry 

## STEP 2: PREPARING THE WASHING PROCESS

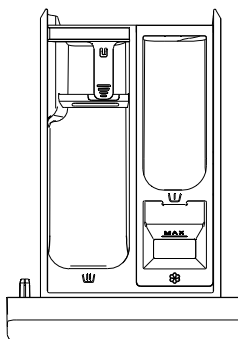
1. Sort the laundry by type of fabric, colour, soiling, appliance load, and allowed washing temperature (see PROGRAMME TABLE).
2. Close the buttons and zippers, tie any ribbons, and turn the pockets inside out; remove any metal clips that could damage the laundry and washing machine interior, or clog the drain.
3. Place very sensitive clothes and small items in a special-purpose laundry washing bag.



## ► ADDING OF DETERGENT/SOFTENER






Style ①




Style ②

(The detergent compartment style depends on the model)

### Symbols of detergent dispenser compartments

	prewash
	main wash
	softener

☼ We recommend adding powder detergent immediately before the washing cycle. If you add it sooner, make sure the detergent compartment in the dispenser tray is completely dry before adding the powder detergent: otherwise, the powder detergent may cake before the start of the washing process.

☼ Pour the softener into the detergent compartment, into the compartment with the symbol . Observe the recommendation on the softener packaging.

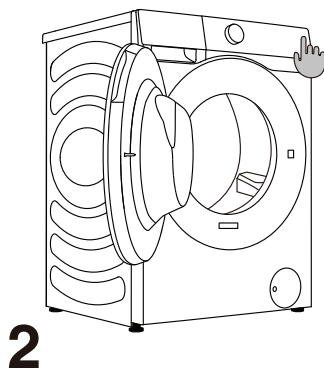
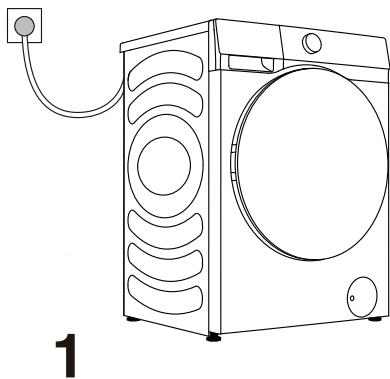
☼ Do not fill the softener compartment over the Max indicated level. Otherwise, the softener will be added to the laundry too soon, leading to poorer washing effect.

☼ Keep detergents and additives out of reach of children.

## SWITCHING ON THE WASHING MACHINE

Use the power cord to connect the washing machine to power mains, and connect the washing machine to water supply.

Turn the appliance on by rotate the knob. (figures 1 and 2).

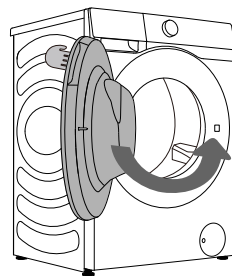
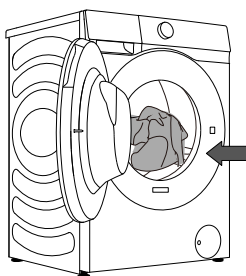
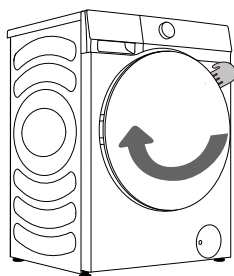


## LOADING THE WASHING MACHINE

Open the washing machine door by pulling the handle towards you (figure 1).

Insert the laundry into the drum (after making sure the drum is empty) (figure 2).

Close the washing machine door (figure 3). The door is closed when you here a click.

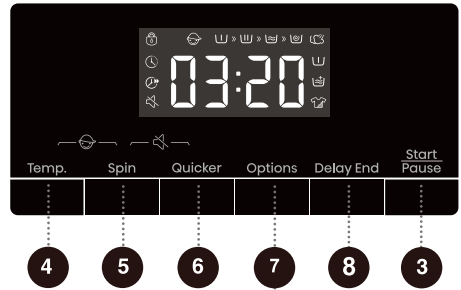
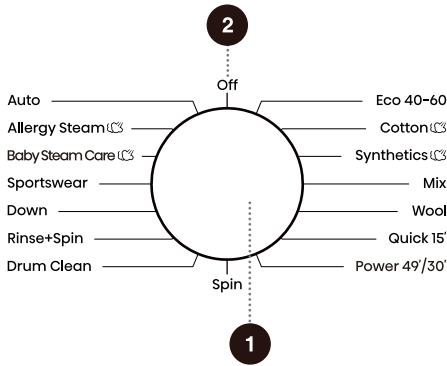


⚠ Never try to forcefully open the door. Moreover, do not open the door during washing machine operation.

Do not overload the drum! See PROGRAMME TABLE and observe your nominal load as indicated on the rating plate.

If the washing machine drum is too full, the laundry will not be washed as thoroughly.

# CONTROL UNIT



## 1 CYCLE SELECTOR

Turn the dial to select a cycle.

## 2 POWER

Rotate the program to turn on/off the machine.

## 3 START/PAUSE

Start/Pause the whole machine program running.

## 4 TEMP.

Press to change the water temperature for the selected cycle.

## 5 SPIN

Press to change the spinning speed for the current cycle.

## 6 Quicker

This function reduces the washing time of the selected program.

## 7 OPTIONS

Press this button to select additional functions.

## 8 DELAY END

Delay End lets you set the end time of the current cycle.

## 4+5 CHILD LOCK

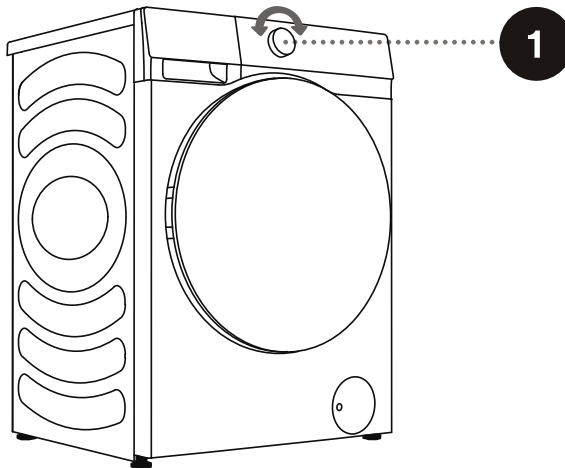
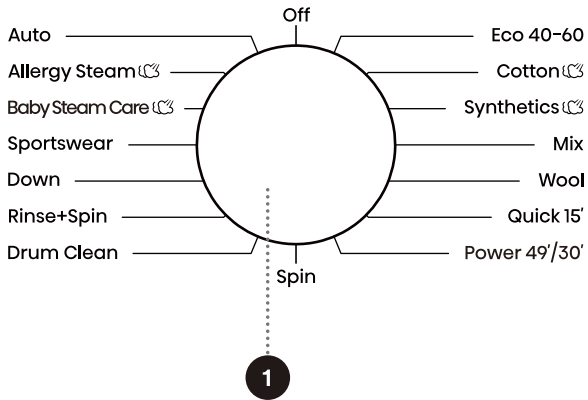
Press these two keys at the same time to enable or disable the Child Lock function.

## 5+6 MUTE

Press these two keys at the same time to switch off or restore the acoustic signals.

## STEP 3: CHOOSING THE WASHING PROGRAMME

Choose the programme by rotating the programme selector knob (1) to the left or to the right (depending on the type of laundry and how heavily soiled it is). See programme table.



⚠ During operation, the programme selector knob will not rotate automatically.

## PROGRAM TABLE

Program	Max. Load (kg)			Max spinning rate (rpm)	Program description
	8kg	9kg	10kg		
<b>Eco 40-60</b> –	8	9	10	1400	Normally soiled cotton laundry.
<b>Cotton</b> (–, 20°C, 30°C, 40°C, 60°C, 90°C)	8	9	10	1400	Heavily and moderately soiled cotton, or linen.
<b>Synthetics</b> (–, 20°C, 30°C, 40°C, 60°C)	4	4.5	5	1400	Synthetic fabrics, polyamides, or similar materials.
<b>Mix</b> (–, 20°C, 30°C, 40°C)	4	4.5	5	1400	Lightly to moderately soiled cotton or synthetic garments.
<b>Wool</b> (–, 20°C, 30°C, 40°C)	2	2	2	600	Machine-washable wool garments (refer to the care label).
<b>Quick 15'</b> (–, 20°C, 30°C, 40°C)	1	1	1	800	Small load or lightly soiled garments. The washing time may extend if default settings are changed.
<b>Power 49'/30'</b> (–, 20°C, 30°C, 40°C)	3	3.5	4	1400	A powerful short-cycle program suitable for small loads of heavily soiled garments.
<b>Spin</b> –	8	9	10	1400	Spinning only. Do not add detergent or softener.
<b>Drum Clean</b> (90°C)	/	/	/	800	For cleaning the drum and removing detergent residues and bacteria accumulated during low-temperature washes. Do not add detergent or softener.
<b>Rinse+Spin</b> –	8	9	10	1400	Rinsing and spinning only. Do not add detergent.
<b>Down</b> (–, 20°C, 30°C, 40°C)	2	2	2	600	Machine-washable items filled with synthetic fibers or down, such as pillows, comforters, and covers.

Program	Max. Load (kg)			Max spinning rate (rpm)	Program description
	8kg	9kg	10kg		
<b>Sportswear</b> (- , 20°C, 30°C, 40°C)	3	3.5	4	1000	Sports and leisure wear made of microfiber fabrics.
<b>Baby Steam Care</b> (40°C, 60°C, 90°C)	2	2	2	1400	Baby clothes and underwear, sterilizing through high temperatures. Adding softener is not recommended.
<b>Allergy Steam</b> (60°C)	2	2	2	1400	High-temperature-resistant, non-fading clothes, removing allergens like pollen, mites, and parasites through high temperatures.
<b>Auto</b> (- , 20°C, 30°C, 40°C)	5	5.5	6	1400	Automatically detects the load size and soil level, suitable for washing cotton, linen, and synthetic garments.

#### NOTE

- (1) Water Temperature: Choose a water temperature appropriate for the selected program. Follow the garment care labels or the manufacturer's instructions to avoid damage.
- (2) The actual water temperature may differ from the stated program temperature.
- (3) Test results may vary due to factors like water pressure, water hardness, water temperature, room temperature, load type and size, soil level, detergent, power fluctuations, and additional options selected.
- (4) Always use a high-efficiency, neutral, low-foam detergent suitable for this machine.
- (5) If too much laundry is added mid-cycle, washing efficiency may decrease as the machine adds water based on the initial load. Insufficient water may also damage clothes and prolong washing time.
- (6) Drum Clean (if available): Ensure the drum is empty before using the "Drum Clean" program. It is recommended to run this program at least once a month.
- (7) Use a descaler with anti-corrosion protection (only use non-corrosive descalers and follow the manufacturer's instructions). Run the "Drum Clean" program (or another high-temperature program) multiple times after descaling to remove descaler residues. Descaling is recommended at least once every six months.



The maximum or nominal load applies to laundry prepared according to IEC 60456 standards.



For an effective cotton cycle, we recommend filling the drum to no more than two-thirds of its capacity.

# CHOOSING THE DETERGENTS AND ADDITIVES

Always choose highly efficient detergents that do not foam and which are intended for front-loading appliances.

The choice of detergent depends on the type, soil level, laundry colour, and washing temperature.

☼ White residues (streaks etc.) on black laundry may appear if you are using modern phosphate-free detergents. In such case, brush the streaks and use a liquid detergent.

Only use detergent intended for appliances for household use.

Descaling agents may damage the appliance. Do not wash the clothes that were cleaned with solvents or flammable substances.

Observe the manufacturer's instructions on detergent dosing.

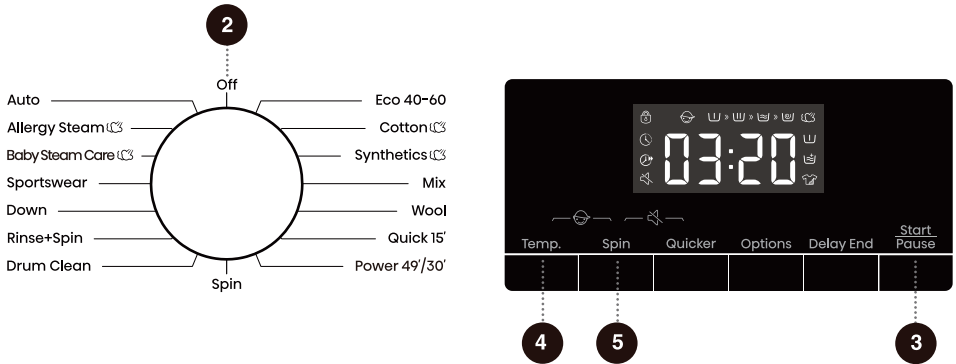
Excessive amount of detergent may result in foaming that in turn impairs washing efficiency. If the appliance senses excessive foaming, it may prevent the spin cycle from taking place. If the amount of detergent is too small, the laundry may no longer be white after a while. It could also result in accumulation of limescale in the drum and the pipes.

# STEP 4: SELECTING ADDITIONAL SETTINGS AND FUNCTIONS

Most programs come with basic settings, which can be adjusted by pressing the corresponding function buttons before you press the Start/Pause button.

Some settings may not be selectable in certain programs. In such cases, the setting option will not light up, and you'll hear a sound when you press the button (see the "Function Options Table").

Additional settings and functions can only be configured in standby mode, i.e., before the program starts. Once the program begins, settings and functions cannot be adjusted.



## 2 Power

Used to turn the machine on or off.

To turn off the machine during a program, turn the program knob to "Off".

In standby mode or after the program ends, the machine will automatically shut down if no action is taken for a certain period.

## 3 Start/Pause

Used to start or pause a program.

If the door is not closed or the door lock is not engaged, an alarm will be displayed on the screen when the Start button is pressed.

Once the program starts or when it is paused, settings cannot be changed. To change the program or function during operation, turn off the machine and restart with new settings.

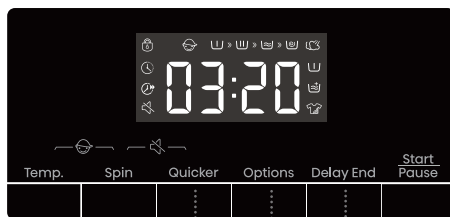
## 4 Temp.

This function allows you to change the temperature of the selected program.

Each program has a preset temperature. Before the program starts, press this button to display the current temperature setting. Press again to cycle through the available temperature levels ("--" indicates a cold wash).

## 5 Spin

This function allows you to adjust the spin speed before the program starts. Press this button to display the current spin speed. Press again to cycle through the available spin speeds.



## 6 Quicker

This function reduces the washing time of the selected program. Pressing this button shortens the program duration; pressing it again will restore the program to its original time.

For programs with auto weighing, selecting this function disables auto weighing. Deselect it to enable auto weighing.

## 7 Options

You can choose additional features for the current program before it starts. You can only select one feature with each press, and the icon will flash when the feature is selected. No changes can be made once the program begins.

### Pre-wash

This function adds a pre-wash cycle before the main wash. Typically it is used for heavily soiled clothes.

When selecting the Pre-wash function, add detergent to the pre-wash compartment in the detergent drawer.

### Extra Rinse


This function increases the number of rinse cycles. The program will include an additional rinse cycle before the softening stage, and the total program time will increase accordingly.

### Intensive

This function provides an intensive wash cycle and extends the washing time to get everything thoroughly clean.

### Steam

This function adds a steam cycle during the program.

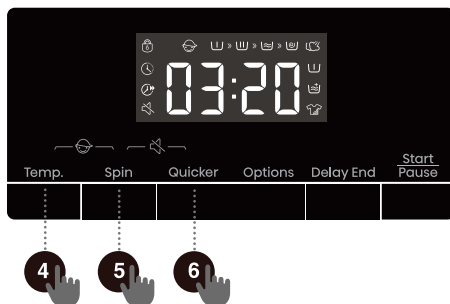
You can select this function for programs with the steam icon "". This function is included in some programs by default and cannot be canceled.

## 8 Delay End

This function allows you to set the end time of your cycle for a later time.

After selecting the program and features, press this button to set the delay. You can choose a delay up to 24 hours in 1-hour increments.

The delay time represents the time when the program ends, which includes the entire program run time, so it must be longer than the program's duration.



While the delay is active, the delay icon "🕒" will light up or flash, and will turn off once the delay ends.

To cancel the delay before the program starts, select a different program or feature.

After the program starts, the delay function can only be canceled by turning off and restarting the machine.

4 + 5

## Child Lock 🚫

To prevent accidental operation and ensure child safety, this machine is equipped with a child lock function.

Press and hold the "Temp. + Spin" buttons simultaneously to activate the Child Lock. The Child Lock icon will light up. To deactivate the Child Lock, perform the same operation. Once activated, all buttons except the Power button are locked. The child lock is automatically deactivated at the end of the program.

5 + 6

## Mute 🔇

This function silences all sounds except for alarms.

To activate this function, press and hold the "Spin + Quicker" buttons simultaneously. The Mute icon will light up, and all sounds except for alarms will be turned off.

To deactivate Mute, repeat the same operation, and all sounds will be restored.

## Door Lock Indicator 🔒

Once the program starts, the door lock indicator light will turn on. Do not open the door by force, as this may cause injury.

If the program is paused and the door can be opened, the door lock will disengage, and the indicator light will turn off.

The door lock automatically disengages at the end of the program.

# Function Options Table

PROGRAM	Temp.	Spin	Quicker	Pre Wash	Extra Rinse	Intensive	Steam	Delay End	Child Lock	Mute
Eco 40-60	-	•	-	-	-	-	-	•	•	•
Cotton	•	•	•	•	•	•	•	•	•	•
Synthetics	•	•	•	•	•	•	•	•	•	•
Mix	•	•	•	•	•	•	-	•	•	•
Wool	•	•	-	-	•	-	-	•	•	•
Quick 15'	•	•	-	-	•	-	-	•	•	•
Power 49'/30'	•	•	•	•	•	-	-	•	•	•
Spin	-	•	-	-	-	-	-	•	•	•
Drum Clean	-	-	-	-	-	-	-	•	•	•
Rinse+Spin	-	•	-	-	•	-	-	•	•	•
Down	•	•	-	-	•	-	-	•	•	•
Sportswear	•	•	-	•	•	•	-	•	•	•
Baby Steam Care	•	•	•	•	•	•	◦	•	•	•
Allergy Steam	-	•	-	•	•	•	◦	•	•	•
Auto	•	•	-	•	•	-	-	•	•	•

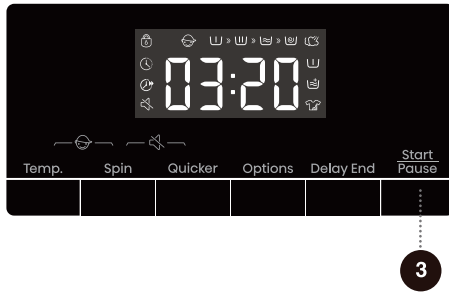
- Function Available
- Function Not Available
- Default Function (Cannot Be Canceled)

# OPTIMIZATION OF PROGRAM DURATION

Some programs automatically detect the weight of the laundry before washing, and adjust the program duration accordingly.

## STEP 5: STARTING A WASHING PROGRAM


After adding the detergent to the detergent drawer, select the program and additional features, and press the **"Start/Pause"** button to start the program.



After pressing the **"Start/Pause"** button, the settings cannot be changed except for turning on/off the Child Lock and Mute function (if available).

When the program starts, the display will show "----", indicating the laundry is being weighed.

After the program starts, the "🔒" icon will light up. After the program is completed, the icon will go out.

 When the program is paused, the remaining time on the display will flash. Ensure the door is properly closed, then press the **"Start/Pause"** button to resume the program.

## STEP 6 : END OF THE WASHING PROGRAMME

An acoustic signal will indicate the end of the washing process; the display will read »End«. The appliance will switch off automatically if you do not perform any action within 2 minutes.



1. Open the washing machine door.
2. Take the laundry from the drum.
3. Close the door!
4. Shut off the water supply tap.
5. Unplug the power cord from the outlet.

# INTERRUPTIONS AND CHANGING PROGRAM

## INTERRUPTING THE PROGRAM

To interrupt or cancel the program during operation, turn off the machine.

## CHANGING THE PROGRAM

To change the program during operation, turn off the machine first.

Restart the machine, select the desired program and additional features, then press the **"Start/Pause"** button to start.

## PAUSING THE PROGRAM


To pause the program during operation, press the **"Start/Pause"** button. The remaining time on the display will flash. If the following conditions are met, the door lock will disengage, allowing you to open the door:


1. The water temperature inside the drum must be safe.
2. The water level in the drum must be below a certain level.

To resume the program, close the door and press the **"Start/Pause"** button.

## ADDING LAUNDRY MID-CYCLE

If you need to add laundry during the wash cycle, first ensure the water level and temperature in the drum are safe. Press the **"Start/Pause"** button to pause the program. The remaining time on the display will flash, and the door lock icon will turn off (on some models, the "🔒" icon will light up), allowing you to open the door and add laundry. If the door lock icon remains on, the door cannot be opened, and additional laundry cannot be added.

 If a large amount of laundry is added mid-cycle, the water level may be insufficient, reducing cleaning effectiveness. The machine calculates water levels based on the initial load, so adding more laundry could damage fabrics due to friction and prolong the washing time.

 After adding laundry, press the **"Start/Pause"** button to resume the program from where it was interrupted.


## FAULTS

If a fault occurs, the program will be interrupted.

In such cases (refer to "Fault Codes and Troubleshooting"), the machine will alert you with flashing lights and warning sounds, and the display will show a fault code (F:XX).

## POWER FAILURE

If a power failure (outage) occurs, the program will be interrupted. When the power is restored, the program will resume from where it was interrupted.

 **If there is water in the machine when the power outage occurs, do not open the door until the water is drained manually through the drain pump filter.**

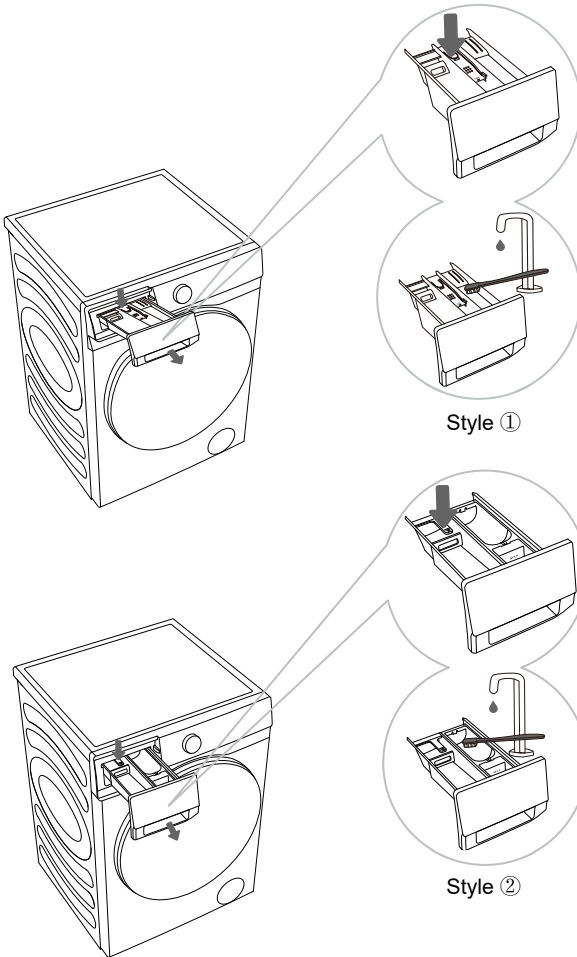
# MAINTENANCE & CLEANING

⚠ Before cleaning, unplug the washing machine from the power mains.

👶 Children should not clean the washing machine or perform maintenance tasks without proper supervision!

## CLEANING THE DETERGENT COMPARTMENT

👶 Clean the detergent compartment regularly.

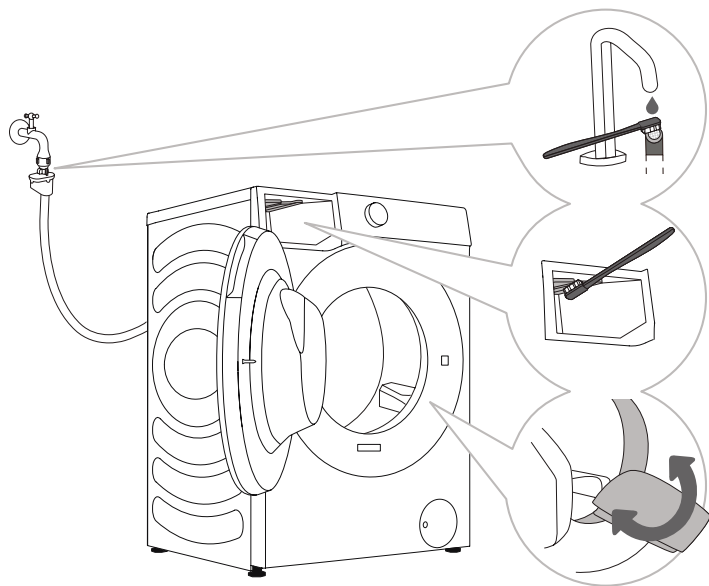


**1** To remove the detergent compartment from the housing, press the small tab.

**2** Clean the detergent compartment under running water using a brush, and dry it. Also, remove any detergent residue from the bottom of the housing. Remove the conditioner insert (softener insert) from the detergent compartment. Wash all parts under running water, and conditioner insert (softener insert) into detergent compartment and re-insert them into the detergent compartment housing.

👶 Do not wash the detergent compartment in a dishwasher.

## CLEANING THE WATER SUPPLY HOSE, DETERGENT DISPENSER HOUSING, AND RUBBER DOOR GASKET

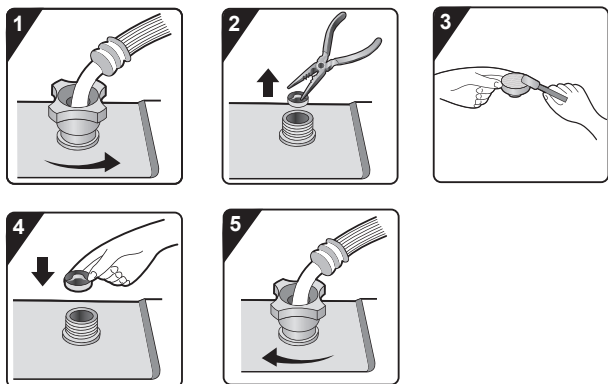


**1** Clean the net filter often under running water.

**2** Use a brush to clean the entire appliance rinsing section, especially the nozzles on the upper side of the rinsing chamber.

**3** After every wash, wipe the rubber door seal to extend its useful life.

## CLEANING THE WATER INLET FILTER REGULARLY



**1** Close the tap and unscrew the inlet hose on the rear of the appliance.

**2** Pull off the mesh filter from the appliance connection with universal pliers.

**3** Clean the internal mesh filter.

**4** Refit the mesh filter again.

**5** Screw the inlet hose on. Turn on the tap and ensure that the connections are completely water-tight.

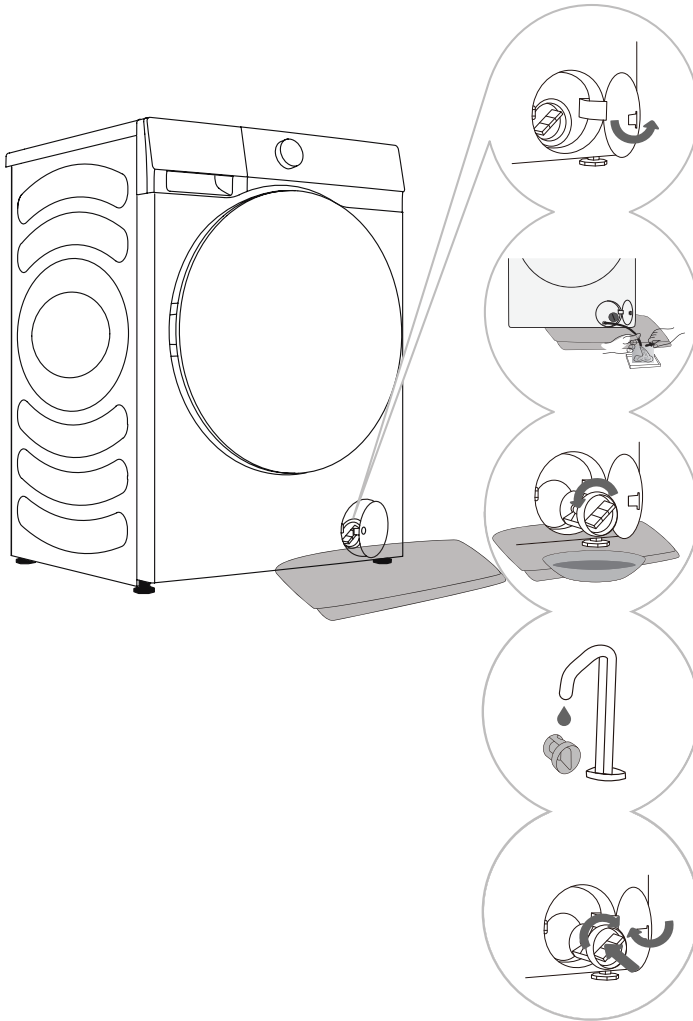
⚡ The water inlet filter collects lime or any sediment that may be in water that is supplied to the appliance.

Clean the inlet filter every six months or so, or more often if the water is very hard or contains traces of limescale.

# CLEANING THE PUMP FILTER

☼ During cleaning, some water may be spilled. It is therefore recommended to place an absorbent cloth on the floor.

Make sure the water has cooled down before you release it from the appliance.



## 1 Open the pump filter cap.

Style1: Press the door cover and automatically pop open.  
Style2: Open the pump filter cap using a suitable tool.  
The style depends on the model.

## 2 Place a towel under the filter door.

If the machine has an emergency drain pipe, pull out emergency drain pipe of machine. Put end of emergency drain pipe into a container.

If the machine doesn't have an emergency drain pipe, place a container under the pump filter.

The style depends on the model.

Rotate emergency drain pipe plug and remove it after it becomes loose until water runs off naturally. Reinstall emergency drain pipe plug.

## 3 Rotate the pump filter slowly in the counter-clockwise direction.

Pull out and remove the pump filter.

## 4 Clean the pump filter under running water.

## 5 Replace the pump filter as shown in the figure and fasten it by rotating in the clockwise direction.

For a good seal, the filter gasket surface should be clean.

☼ The pump filter must be timely cleaned, especially after washing very fleecy, woolly, or very old laundry.

☼ Also clean the pump filter if the appliance can not start the spinning cycle or when there is debris in the pump (buttons, coins, hair pins or clips etc.).

## CLEANING THE WASHING MACHINE EXTERIOR

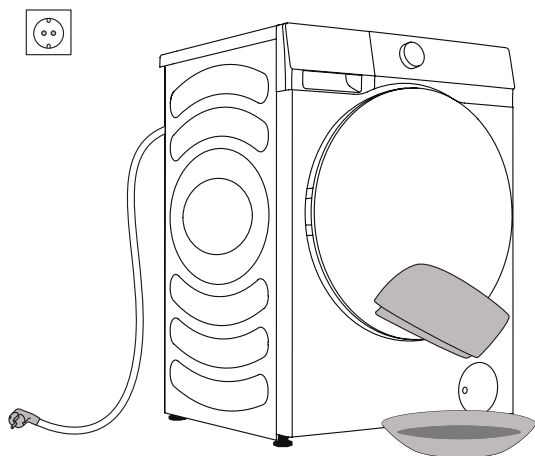
**⚠ Always disconnect the washing machine from the power mains before cleaning.**

Clean the washing machine exterior and display unit using a soft damp cotton cloth and water. Then, use a soft dry cloth to dry the appliance.

**⚠ Do not use any solvents, abrasive cleaners, or cleaning agents that could damage the appliance (please observe the recommendations and warnings provided by the cleaning agent).**

If necessary, wipe the appliance door with a damp cloth, and then dry with a dry soft cloth as well.

**⚡ Do not clean the washing machine with a jet of water!**



# TROUBLESHOOTING

## WHAT TO DO ...?

The washing machine shall automatically control the operation of particular functions during the washing cycle. If any irregularity is identified, this will be indicated by reporting (F:XX) on the display. The washing machine will report the error until it is switched off. Disturbances from the environment (e.g. the power grid) may result in various error reports (see TROUBLESHOOTING TABLE). In such case:

- Switch off the washing machine and wait for a few seconds.
- Switch on the washing machine and repeat the washing programme.
- Most errors during operation can be resolved by the user (see TROUBLESHOOTING TABLE).
- If the error persists, call an authorized service unit.
- Repairs may only be carried out by an adequately trained person.
- Repair or any warranty claim resulting from incorrect connection or use of the washing machine shall not be covered by the warranty. In such cases, the costs of repair shall be charged to the user.

⚡ The warranty does not cover the errors or failures resulting from disturbances from the environment (lightning strike, power grid failures, natural disasters etc.).

# TROUBLESHOOTING AND ERROR TABLE

Problem/error	Indication on the display unit and problem description	What to do?
F01	Water inflow fault	<p>Check the following:</p> <ul style="list-style-type: none"> <li>• Is the water supply tap open and is the pressure too low?</li> <li>• Is the water supply hose pinched?</li> <li>• Is the filter on the water supply hose clogged?</li> <li>• Is the hose frozen?</li> </ul> <p>Press the "start/pause" button again after exclusion.</p>
F03	Drainage fault	<p>Check the following:</p> <ul style="list-style-type: none"> <li>• Is the hose pinched, does the water flow through it?</li> <li>• Is the filter on the drain hose clogged?</li> <li>• Is the hose frozen?</li> </ul> <p>Press the "start/pause" button again after exclusion.</p>
F04/F05/F06/ F07/F23	Electronic module fault	<p>Switch off the appliance;</p> <p>Press the "start/pause" button again. If the error reoccurs, call a service technician.</p>
F24	Water level reaches overflow level	<p>Stop the programme by pressing the "start/pause" button. Restart the programme.</p> <p>If the appliance continues to pump water into the tub, close the water tap and call a service technician.</p>
F13	Error while locking the door	<p>Door is closed, but it cannot be locked.</p> <p>Switch off the washing machine. Switch it back on and restart the washing programme.</p> <p>If the error reoccurs, call a service technician.</p>
F14	Error while locking the door	<p>Door is closed, but it cannot be unlocked.</p> <p>Turn off the appliance, then turn it back on. If the error reoccurs, call a service technician.</p>
Unb	Unb Unbalance alarm	<p>Unbalance alarm shall be solved by the following methods</p> <ol style="list-style-type: none"> <li>1. Laundry winding</li> </ol> <p>Turn the knob to the "off" position to turn off the machine. Open the door, shake the clothes and put them back into the washing machine, then select the single dewatering program to try again.</p> <ol style="list-style-type: none"> <li>2. Too light-weighted laundry</li> </ol> <p>Turn the knob to the "off" position to turn off the machine. Open the door, put in one or two towels, and then select the single dewatering program to try again.</p>

# SERVICING

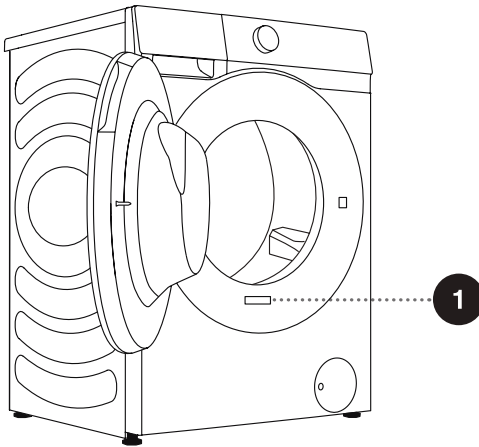
## Before calling a service technician

When you contact a service centre, please state your washing machine's type (1).



Type, code/ID, model, and serial number are indicated on the rating (type) plate.

⚠ In case of a defect, only use approved spare parts by authorized manufacturers.

⚠ Repair or any warranty claim resulting from incorrect connection or use of the washing machine shall not be covered by the warranty. In such cases, the costs of repair shall be charged to the user.



1

<b>Hisense</b>	Washing Machine		
XXXXXXXXXX	XX kg		
XXX-XXXV~	XXHz	XXXXW	IPX4
			<b>RoHS</b>

# RECOMMENDATIONS FOR WASHING AND ECONOMIC USE YOUR WASHING MACHINE

Wash new coloured garments separately the first time.

Wash heavily soiled laundry in smaller amounts, with more powder detergent or with a pre-wash cycle.

Apply a special stain remover on stubborn stains before the wash. We recommend referring to STAIN REMOVAL TIPS.

If you often wash laundry at low temperatures and with liquid detergents, bacteria may spawn which can cause odour in the washing machine. To prevent such odour, we recommend occasionally running the Drum Clean.

We recommend avoiding washing very small amounts of laundry as this will lead to excessive use of energy and poorer washing machine performance.

Loosen any folded laundry before putting it into the drum.  
Only use detergents for machine washing.

Add powder or liquid detergents as instructed by the manufacturer, according to the washing temperature and selected washing programme.

When using highly concentrated detergents, use special-purpose dosing cups (supplied with the detergent) and place them directly in the appliance drum.

If water hardness exceeds 14°dH, water softener should be used. Heater damage resulting from incorrect use of water softeners shall not be covered by the warranty. Check the information on water hardness with your local water supply company or authority.

Use of chlorine-based bleaches is not recommended as they can damage the heater.

If you use a descaling agent, bleach, or dye, only use the kind that is suitable for use in the appliance.

Do not use solvents or similar chemicals (e.g. paint thinner, turpentine, gasoline etc.)!

Do not add hardened lumps of powder detergent into the detergent dispenser as this may clog the piping in the washing machine.

When using thick liquid laundry care products, we recommend diluting them with water to prevent clogging the detergent compartment drain.

Liquid detergents are intended for washing programmes without a prewash cycle.

At higher spinning rates, there will be less residual moisture in the laundry. As a result, drying in a tumble dryer will be more economical and faster.

# STAIN REMOVAL TIPS

Before using special-purpose stain removers, try using the natural methods that do not harm the environment on less stubborn stains.

However, prompt action is required! Soak the stain with an absorbent sponge or a paper towel; then, rinse with cold (lukewarm) water – but never with hot water!

Stains	Stain removal
<b>Mud</b>	When the stain is dry, first scrape it off the garment before washing it in the washing machine. If the stain is stubborn, soak it with an enzyme-based stain remover before the wash. If the stain is not stubborn, wash the laundry with liquid detergent or powder detergent and water before the wash.
<b>Antiperspirant</b>	Before washing in the washing machine, apply liquid detergent onto the laundry. Apply stain removers on any stubborn stains. Alternatively, use oxygen-based bleach for the wash.
<b>Tea</b>	Soak or rinse the laundry in cold water and add stain remover if necessary.
<b>Chocolate</b>	Soak or rinse the laundry with lukewarm soapy water. Then, apply lemon juice and rinse.
<b>Ink</b>	Before washing in the washing machine, apply stain removers on the stain. You may also use denatured alcohol. Turn the garment inside out and place a paper towel under the stain. Use the alcohol on the back side of the stain. At the end of the process, thoroughly rinse the garment.
<b>Felt tip pens</b>	Dilute some starch in water and apply it to the stain. When it dries, scrape it off with a brush; then, wash the garment in the washing machine.
<b>Baby food</b> (urine, mud, food stains)	Before washing in the washing machine, soak the stains in lukewarm water for at least half an hour. For easier stain removal, add an enzyme-based stain remover.
<b>Grass</b>	Before washing in the washing machine, soak the laundry in an enzyme-based stain remover. Grass stains can also be removed by soaking (for approx. 1 hour) in diluted lemon juice or distilled vinegar.
<b>Eggs</b>	Soak the garment in an enzyme-based stain remover. Soak in cold water for at least 30 minutes or a few hours if the stains are stubborn. Then, wash in the washing machine.
<b>Coffee</b>	Soak the garment in salt water. If the stain is not fresh, soak it with a mixture of glycerine, ammonia and alcohol.
<b>Shoe polish</b>	Apply cooking oil to the stain and rinse.

<b>Stains</b>	<b>Stain removal</b>
<b>Blood</b>	Fresh stain – rinse the garment with cool water and wash it in the washing machine. Dried stain – soak the garment in an enzyme-based stain remover. Then, wash in the washing machine. If the stain does not vanish, try to remove it with a bleach suitable for your garment.
<b>Glue, chewing gum</b>	Place the garment in a bag and put it in the freezer until the stain hardens. Then, remove it with a blunt knife. Then, dilute the stain with a prewash stain remover and rinse thoroughly. Then, wash the laundry as usual.
<b>Makeup</b>	Use a stain remover for the prewash; then, wash in the washing machine.
<b>Butter</b>	Before washing in the washing machine, apply stain remover to the stain. Then, rinse with hot water (as hot as the fabric will allow).
<b>Milk</b>	Soak the garment in an enzyme-based stain remover. Soak for at least 30 minutes or a few hours if the stains are stubborn. Then, wash in the washing machine.
<b>Fruit juice</b>	Apply a mixture of salt and water on the stain. Leave to take effect for a while, then rinse. You can apply sodium bicarbonate, distilled vinegar or lemon juice on the stain before washing in the washing machine. For old stains, use glycerine. After 20 minutes, rinse with cold water, then wash the laundry in the washing machine.
<b>Wine</b>	Soak the laundry in cold water for at least 30 minutes. Also, use a stain remover. Then, wash in the washing machine.
<b>Wax</b>	Put the garment into the freezer until the wax hardens. Then, scrape it off. Remove the remaining wax by placing a paper towel onto the stain, and then heat it with an iron until the paper absorbs the wax.
<b>Sweat</b>	Before washing in the washing machine, rub liquid detergent thoroughly into the stain.
<b>Chewing gum</b>	Put the garment into the freezer until the chewing gum hardens. Then, scrape it off. Then, wash in the washing machine.

# DISPOSAL



**Packaging** is made of environmentally friendly materials that can be recycled, disposed of, or destroyed without any hazard to the environment. To this end, packaging materials are labelled appropriately.

**The symbol** on the product or its packaging indicates that the product should not be treated as normal household waste. Take the product to an authorized collection centre for waste electric and electronic equipment processing.

When **disposing** of the washing machine at the end of its useful life, remove all power cords, and destroy the door latch and switch to prevent the door from locking or latching (child safety).

This appliance is marked according to the European directive on waste (WEEE).

Correct **disposal** of the product will help prevent any negative effects on the environment and health of people, which could occur in case of incorrect product removal. For detailed information on removal and processing of the product, please contact the relevant municipal body in charge of waste management, your waste disposal service, or the store where you bought the product.

# TYPICAL CONSUMPTION TABLE

## Programme Instructions

1. The Eco 40-60 programme is able to clean normally soiled cotton laundry declared to be washable about 40°C to 60°C together in the same cycle, and that this programme is used to assess the compliance with the EU ecodesign legislation.
2. The power consumption of the off-mode is 0.49W.
3. The most efficient programmes in terms of energy consumption are generally those that perform at lower temperatures and longer duration.
4. Loading the household washing machine up to the capacity indicated by the manufacturer for the respective programmes will contribute to energy and water savings.
5. Correct use of detergent, softeners and other additives. Do not apply excessive detergent. This may affect the washing results adversely.
6. Periodic cleaning, including optimal frequency, and limescale prevention and procedure.
7. Noise and remaining moisture content are influenced by the spinning speed: the higher the spinning speed in the spinning phase the higher the noise and the lower the remaining moisture content.
8. The product information and QR code are reflected in the energy consumption label the product registration information can be obtained by scanning the QR code.
9. The information of standard programmes.

Program		Selected temperature (°C)	Rated capacity (kg)	Maximum temperature in drum (°C)	Program duration (h:min)	Energy consumption (kWh/cycle)	Water consumption (litres/cycle)	Remaining moisture content (%)	Maximum speed reached (rpm)
Eco 40-60 full load	8kg	-	8.0	28	3:38	0.530	50.0	53.00	1400
	9kg	-	9.0	35	3:48	0.740	56.0	52.80	1400
	10kg	-	10.0	36	3:59	0.800	62.0	51.20	1400
Eco 40-60 half load	8kg	-	4.0	27	2:48	0.380	39.0	53.50	1400
	9kg	-	4.5	27	2:54	0.425	40.0	54.40	1400
	10kg	-	5.0	27	3:00	0.455	47.0	52.10	1400
Eco 40-60 1/4 load	8kg	-	2.0	23	2:26	0.200	31.0	55.00	1400
	9kg	-	2.5	23	2:53	0.205	31.0	54.40	1400
	10kg	-	2.5	23	2:58	0.240	34.0	56.60	1400
Cotton	8kg	20	8.0	20	2:07	0.290	100.0	56.00	1400
	9kg	20	9.0	20	2:07	0.280	110.0	58.00	1400
	10kg	20	10.0	20	2:07	0.330	120.0	58.00	1400
Cotton	8kg	60	8.0	54	3:36	1.600	100.0	56.00	1400
	9kg	60	9.0	56	3:36	1.750	110.0	58.00	1400
	10kg	60	10.0	56	3:36	1.900	120.0	58.00	1400
Synthetics	8kg	40	4.0	40	2:35	0.850	90.0	38.00	1400
	9kg	40	4.5	40	2:35	0.900	95.0	38.00	1400
	10kg	40	5.0	40	2:35	1.000	100.0	38.00	1400
Quick 15'	8kg	20	1.0	20	0:15	0.060	25.0	65.00	800
	9kg	20	1.0	20	0:15	0.060	28.0	65.00	800
	10kg	20	1.0	20	0:15	0.060	28.0	65.00	800

The values given for programmes other than the Eco 40-60 programme are indicative only.

☼ Maximum or nominal load applies to laundry prepared pursuant to the IEC 60456 standard.

☼ **Due to deviations in terms of type and amount of laundry, spinning, power supply oscillation, and environment temperature and humidity, the programme duration and power consumption values measured at the end user may differ from the ones stated in the table.**

*We reserve the right to any changes and errors in the instructions for use.*

# **Hisense**

life reimagined