



*whispair*

A I R   E N G I N E E R E D

**OPERATING AND INSTALLATION INSTRUCTIONS  
FOR WHISPAIR RANGEHOODS  
UTILISING ON BOARD FAN MOTOR UNITS**

*spair*

*whispair*

*whispair*

*whispair*

*whispair*

*whispair*

*whispair*

*whis*

*spair*

*whispair*

*whispair*

*whispair*

*whispair*

*whispair*

*whispair*

*whis*

*spair*

*whispair*

*whispair*

*whispair*

*whispair*

*whispair*

*whispair*

*whis*

*spair*

*whispair*

*whispair*

*whispair*

*whispair*

*whispair*

*whispair*

*whis*

*spair*

*whispair*

*whispair*

*whispair*

*whispair*

*whispair*

*whispair*

*whis*

*spair*

*whispair*

*whispair*

*whispair*

*whispair*

*whispair*

*whispair*

*whis*



# CONGRATULATIONS

Congratulations and thank you for choosing a Whispair rangehood.

To avoid the risks that are always present when you use an electrical appliance it is important that the rangehood is installed correctly and that you read the safety instructions carefully to avoid misuse and hazards.

We recommend that you keep this instruction booklet for future reference and pass it on to any future owners.

## IMPORTANT INFORMATION

**AFTER UNPACKING THE RANGEHOOD PLEASE REVIEW YOUR NEW ITEM TO ENSURE THAT IT HASN'T BEEN DAMAGED IN TRANSIT OR IS MISSING ANY COMPONENTS. FAILURE TO REPORT ANY ISSUE WITHIN 72 HOURS OF RECEIPT OF YOUR ITEM MAY RESULT IN ADDITIONAL CHARGES.**

## ENVIRONMENTAL TIP

### Information on disposal for users

Most of the packing materials are recyclable. Please dispose of those materials through your local recycling depot or by placing them in a appropriate collection bin.

If you wish to discard this product, please contact your local authorities and ask for the correct method of disposal.

**TO AVOID THE RISK OF INJURY OR DAMAGE TO THE PRODUCT IT IS ESSENTIAL TO READ THESE INSTRUCTIONS PRIOR TO INSTALLATION AND USE**

# PRODUCT DESCRIPTION & CARTON CONTENTS

## ***CARTON 1 - HOOD UNIT WITH INTEGRATED FAN MOTOR***

You will be supplied with one of the three hood unit options detailed below.

### **OPTION 1 - INTEGRATED HOOD**

---

#### **MODELS INCLUDED:**

X3M06S6.OU(T/B), X3M06S5.OP(T/B), X3UM06S5.OP(T/B), X3M09S6.OU(T/B), X3M09S5.OP(T/B), X3UM09S5.OP(T/B), X3MD09S6.OU(T/B), X3MD09S5.OP(T/B), X3UD09S5.OP(T/B), X3MD12S6.OU(T/B), X3MD12S5.OP(T/B) & X3UD12S5.OP(T/B)

#### **INCLUDED IN THE CARTON:**

1. Main hood housing including switch control and led lighting
2. Baffle filters
3. Grease trap
4. Cabinet installation screws
5. Operating & installation guide
9. Transition duct - rectangle to round outlet x 1 (Rectangle top ducted models only)
10. Rectangle duct extension (1x) (Rectangle back ducted models only)
11. Rectangle aluminium powder coated wall / eave vent (1x) (Rectangle back ducted models only)

### **OPTION 2 - WALL HUNG CANOPY HOOD**

---

#### **MODELS INCLUDED:**

X5L09S6.OU(T/B), X5L09S6.OP(T/B), X5S09S6.OU(T/B), X5S09S6.OP(T/B), X5V09S6.OU(T/B), X5V09S6.OP(T/B), X5R09S6.OU(T/B), X5R09S6.OP(T/B), X5R09W6.OU(T/B) & X5R09W6.OP(T/B)

#### **INCLUDED IN THE CARTON:**

1. Main hood housing including switch control and led lighting
2. Baffle filters
3. Grease trap
4. Stainless steel chimney (2x)
5. Chimney bracket
6. Wall mounting bracket
7. Fixing screws
8. Operating & installation guide
9. Transition duct - rectangle to round outlet x 1 (Rectangle top ducted models only)
10. Rectangle duct extension (1x) (Rectangle back ducted models only)
11. Rectangle aluminium powder coated wall / eave vent (1x) (Rectangle back ducted models only)

### **OPTION 3 - ISLAND HUNG CANOPY HOOD**

---

#### **MODELS INCLUDED:**

X7S09S6.OU/T, X7S09S6.OP/T, X7V09S6.OU/T, X7V09S6.OP/T, X7R09S6.OU/T, X7R09S6.OP/T, X7R09W6.OU/T & X7R09W6.OP/T

#### **INCLUDED IN THE CARTON:**

1. Main hood housing including switch control and led lighting
2. Baffle filters
3. Grease trap
4. Stainless steel chimney (1x)
5. Ceiling (island) mounting plate
6. Mounting Beams (2x)
7. Threaded rod (4x) and nuts
8. Fixing screws
9. Operating & installation guide
10. Transition duct - rectangle to round outlet x 1 (Rectangle top ducted models only)

## CONDITIONS OF USE AND MAINTENANCE

This rangehood is a domestic appliance which has been manufactured and tested to comply with Australian and New Zealand Standard **AS/NZS 60335.2.31** and is designed to work under Australian and New Zealand conditions. The hoods are designed to remove bi-products of cooking – heat, steam, grease and odour.












This appliance is intended for domestic application only. Any other usage is at the owner's risk and could be dangerous. The manufacturer cannot be held liable for damage resulting from incorrect or improper use or operation. This unit is approved for electrical safety (Please refer **RCM E4759**).

WHISPAIR reserves the right to change the specification without notice.

All WHISPAIR performance figures are based upon standards developed by the Haus Group, which either comply or are in excess of the government regulated standards.



### SAFETY

-  **WARNING:** The installation of WHISPAIR rangehoods must comply with the information in this guide. Failure to install the rangehood in accordance with these installation instructions may result in electrical hazards, injury, damage to your appliance and loss of warranty. Specifically, failure by the installer to install the screws or fixing devices in accordance with these installation instructions may result in electrical hazards. Please install the appliance as detailed in these instructions.
-  The rangehood is not intended for use by children or infirmed persons without supervision.
-  **CAUTION:** Accessible parts may become hot when used with cooking appliances.
-  Ensure the canopy rangehood is switched off and power source cable unplugged before carrying out maintenance, to avoid any possibility of electric shock.
-  Always use non-flammable materials to minimize the risk of fire.
-  Do not flambé under the range hood.
-  There shall be adequate ventilation of the room when the range hood is used at the same time as appliances burning gas or other fuels.
-  In the case of damage to power supply cords, use only an authorized service agent or licensed electrician.
-  The air must not be discharged into a flue that is used for exhausting fumes from appliances burning gas or other fuels.
-  Baffle filters and grease trap must be regularly cleaned to reduce the risk of fire.
-  Always cover lit gas burners with pots or pans when cooker hood is in use.

## DUCTING AND EXTRACTION LEVELS

WHISPAIR ducting is designed to ensure optimum performance for your rangehood. Please follow the installation instructions carefully.

Every WHISPAIR rangehood must be ducted to the outside environment by the use of non-flammable ducting. The rangehood must not be ducted into a wall cavity or a ceiling space where a build-up of grease can occur and become a potential fire risk. Ensure the external outlet on the KLEENAIR unit is not covered and the air flow is not restricted in any way as this may result in reduced performance.

The duct must at all times have a cross sectional surface area equivalent to the hood outlet. The rectangular hood outlet has an approximate area of 24,200mm<sup>2</sup> and the 150mm diameter round outlet has an area of 17,696mm<sup>2</sup>. Do not reduce the duct size at any time and avoid sharp bends. If the duct run is longer than six (6) metres, it may be necessary to enlarge the duct size to ensure optimum performance. The manufacturer does not guarantee performance when the duct length is greater than six (6) metres.

Ensure that all ducting is correctly fitted and sealed with pipe clips, duct tape or silicone to ensure that fumes do not escape prior to reaching the outside environment.

The WHISPAIR extraction calculations are based upon a 50pa change of head of pressure loss and are used to factor the variance of air flow resistance through the ducting. 50pa is equivalent to approximately four (4) metres (the recommended length) of ducting, which is above and beyond the industry standard of one straight metre of ducting. The KLEENAIR ULTRA offers a powerful 1680 cubic metres per hour (466 litres per second) and the KLEENAIR POWER offers 1020 cubic metres per hour (283 litres per second) of air movement.

## SERVICING

The installation and fitting of the rangehood should be done in such a way that will allow the unit to be removed if service is required. Additional costs incurred in the removal, such as damage to walls, are not covered under warranty.

It is expected that the stainless steel is cleaned with a quality non-abrasive stainless steel cleaner. The baffle filters and grease trap are removable and dishwasher safe. It is recommended that these items be cleaned regularly, at a minimum of 4 weeks.

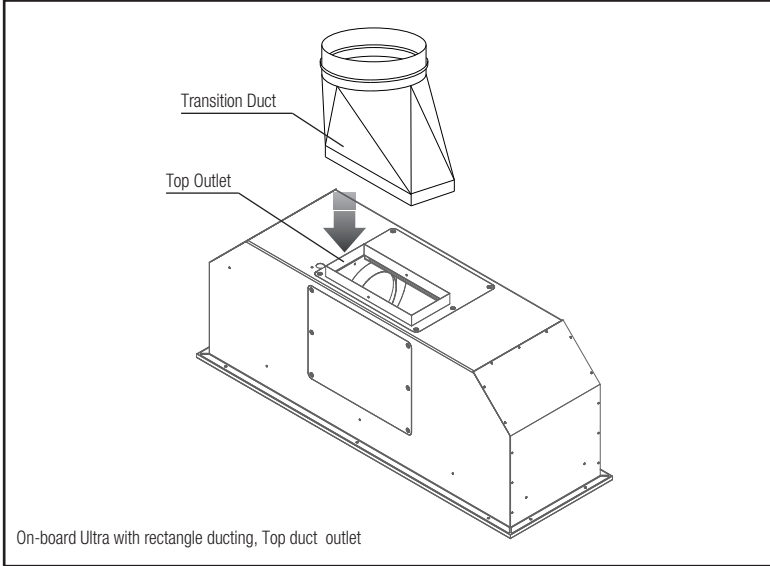
The KLEENAIR unit should be checked regularly to ensure that nothing is obstructing the air flow from the housing.

# DUCTING OPTIONS

WHISPAIR undermount or wall hung canopy hoods utilising on-board motor systems with rectangle duct can be top or rear ducted.

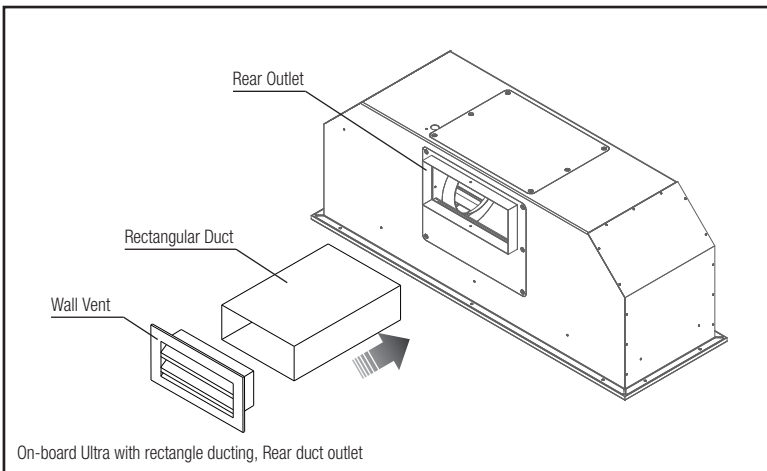
## Top Ducting:

Top Ducted options come with a rectangular to circle transition piece which enables the flexi-duct to be connected.



## Back Ducting:

Back Ducted options come with a rectangular duct piece and a wall vent.



# PART 1: HOOD INSTALLATION GUIDE

## Integrated Hood with Integrated Fan Motor

Models included: X3M06S6.OU(T/B), X3M06S5.OP(T/B), X3UM06S5.OP(T/B), X3M09S6.OU(T/B), X3M09S5.OP(T/B), X3UM09S5.OP(T/B), X3MD09S6.OU(T/B), X3MD09S5.OP(T/B), X3UD09S5.OP(T/B), X3MD12S6.OU(T/B), X3MD12S5.OP(T/B) and X3UD12S5.OP(T/B)

### WARNING

**DIMENSIONS ARE ACCURATE AT THE TIME OF PRINTING, HAUS GROUP RESERVES THE RIGHT TO CHANGE SPECIFICATIONS WITHOUT NOTICE. FOR BUILDING PURPOSES THE UNIT SHOULD BE PROVIDED TO THE CABINET MAKER / BUILDER / KITCHEN DESIGNER FOR EXACT MEASUREMENTS.**

#### STEP 1:

To install into your overhead cupboard;

Top Ducting - several holes may need to be cut into shelves to enable the ducting to exit the cabinetry.

Back Ducting - cut a rectangular or round hole through the wall taking into account the rear duct outlet of the hood.

#### NOTE:

The height of the underside of the hood body must be a minimum of 600mm above an electric cooktop, for a gas cooktop a minimum of 600mm above the highest part of the highest burner and a maximum height of 1200mm. If the instructions of the hob specify a greater distance than the minimum detailed, this shall be the minimum height for installation.

A comfortable installation height would be 700 – 750mm gap between the base of the rangehood and the highest part on your cooktop.

Building codes that stipulate a minimum dimension may vary from state to state, please check with your local council prior to installation.

Ensure the hood is mounted as close to the centre of the cooking surface as possible.

#### STEP 2:

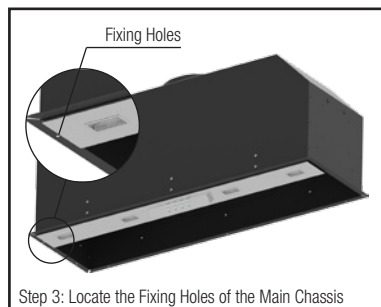
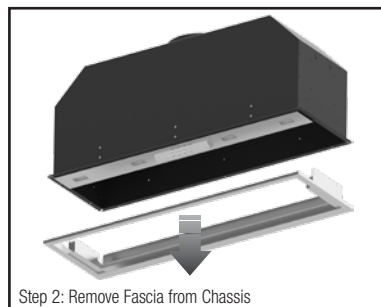
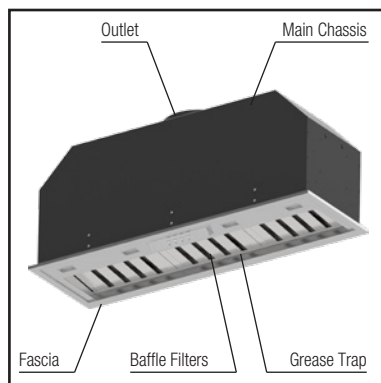
Remove the three (3) screw fixings from within the Main Chassis of the rangehood located along the rear chassis wall (located above the grease trap), along with two (2) screws on the left side and two (2) screws on the right side. Once the screws are removed, the Fascia will separate away from the Main Chassis.

#### STEP 3:

Fixing Holes are located on the returns of the main chassis. These Fixing Holes are used to secure the main chassis to the cabinetry.

#### STEP 4:

Place the Main Chassis in the cabinet ensuring that the hood is level and the controls and display will be visible when standing in front of the unit.



# PART 1: HOOD INSTALLATION GUIDE

## STEP 5:

Using the ten (10) fixing holes, screw the Main Chassis into position.

## STEP 6:

Once the Main Chassis is secured into the cabinetry, the Fascia can then be slid back inside the Main Chassis. Replace the screws (removed in Step 3) to fix the Fascia back into position.

## STEP 7:

**Please note all Whispair rangehoods are required to be vented to the outside atmosphere. If this is not followed warranty may be void..**

**Top Ducting** - Place the supplied transition rectangle to 200mm round (HBX200TRANS) rectangle outlet only on the top of the outlet of the rangehood. With the 150mm outlet Power 1020 motor units attach on the top of the duct either rigid, semi rigid or flexi-duct (either not supplied) and continue this installation through the roof space to be vented through to an eave, wall or roof vent. It is critical to maintain the ducting size, be it 150mm or 200mm throughout the installation and keep the ducting as straight and tight as possible to the outlet vent position.

**Back Ducting** - On the rectangle or round outlet on the back of the rangehood, feed the (supplied) 600mm long rectangle ducting (HBXRECDUCT) or 150mm round ducting (not supplied) through the hole created in step 1 from the outside of the home. Depending on the thickness of the wall, reduce the length of the rectangle or round ducting by cutting. Fit the supplied rectangle wall vent (HBXRECVENT) or round vent (not supplied) to the rectangle duct or round duct and mount into place using the pre-drilled fixing holes on the vent as a guide.

## STEP 8:

Attach the male power plug of the rangehood unit to mains power supply. Note to electricians: Standard 10 Amp General Power Outlet (GPO) required. Position GPO as close to the hood unit as possible.

## INSTALLING THE GREASE TRAP AND BAFFLE FILTERS:

All WHISPAIR hoods utilise removable baffle filters and grease trap. This filtration system is used to catch by-products such as grease and moisture from the air flow.

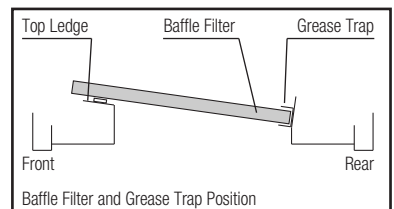
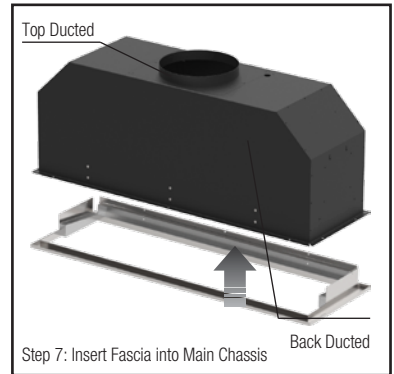
To install the baffle filters, simply locate the filter on the top ledge of the hood and then slide the filter on a downward angle to rest in the channel of the grease trap. Ensure the filter vane are aligned towards the rear of the hood.

Most by-products are captured and stored directly in the baffle filters however the grease trap may begin to fill when excess amounts of grease and condensate build up in the filter vanes.

The grease trap can be removed for cleaning by removing the two (2) screw fixings in the channel.

To clean your baffle filters and grease trap please wash with warm soapy water or simply place in the dishwasher for convenience.

It is recommended the baffle filters and grease trap are cleaned every 4 weeks at a minimum to reduce the risk of fire, or more frequently depending on the types of food and use of the rangehood.



# PART 1: HOOD INSTALLATION GUIDE

## Wall Hung Canopy Hood with Integrated Fan Motor

Models included: X5L09S6.OU(T/B), X5L09S6.OP(T/B), X5S09S6.OU(T/B), X5S09S6.OP(T/B), X5V09S6.OU(T/B), X5V09S6.OP(T/B), X5R09S6.OU(T/B), X5R09S6.OP(T/B), X5R09W6.OU(T/B) and X5R09W6.OP(T/B)

### WARNING

**DIMENSIONS ARE ACCURATE AT THE TIME OF PRINTING, HAUS GROUP RESERVES THE RIGHT TO CHANGE SPECIFICATIONS WITHOUT NOTICE. FOR BUILDING PURPOSES THE UNIT SHOULD BE PROVIDED TO THE CABINET MAKER / BUILDER / KITCHEN DESIGNER FOR EXACT MEASUREMENTS.**

#### STEP 1:

Measure the height (H1) of the hood from the base to the top of the Mounting Hooks. Ensure the hood is mounted as close to the centre of the cooking surface as possible.

Top Ducting - several holes may need to be cut into shelves to enable the ducting to exit the cabinetry.

Back Ducting - cut a rectangular hole through the wall taking into account the rear duct outlet of the hood.

#### NOTE:

The height (H2) of the underside of the hood body must be a minimum of 600mm above an electric cooktop, for a gas cooktop a minimum of 600mm above the highest part of the highest burner and a maximum height of 1200mm. If the instructions of the hob specify a greater distance than the minimum detailed, this shall be the minimum height for installation. A comfortable installation height would be 700 – 750mm gap between the base of the rangehood and the highest part on your cooktop.

Building codes that stipulate a minimum dimension may vary from state to state, please check with your local council prior to installation.

#### STEP 2:

Using a spirit level mark a vertical centre line on the wall where the Mounting Bracket needs to be positioned. It is recommended to centre the hood unit to the cooktop below.

#### STEP 3:

Mark a horizontal line on the wall for the Mounting Bracket position. Centre and mark the four (4) fixing points in the vertical section on the left and right side of the bracket. Drill and plug holes with suitable sized wall plugs (not provided).

#### STEP 4:

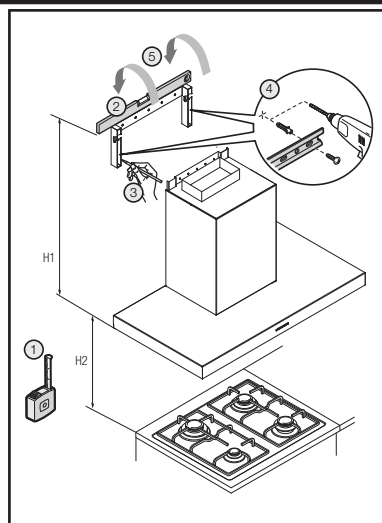
Fix the Mounting Bracket with four (4) suitable screws into the wall at the positions marked in step 3 to allow the body of the hood to be hung on the wall.

#### STEP 5:

Hang the hood on the wall ensuring the Mounting Hooks are securely positioned into the Mounting Bracket.

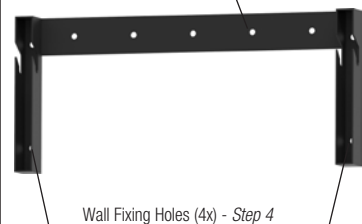
#### STEP 6:

Secure the hood to the wall by screw fixing through the five (5x) holes on the horizontal plate of the Mounting Bracket.



Wall Mounting Bracket

Hood Fixing Holes (5x) - Step 6



Wall Fixing Holes (4x) - Step 4

# PART 1: HOOD INSTALLATION GUIDE

## STEP 7:

Secure the Chimney Bracket to the wall.

## STEP 8:

**Please note all Whispair rangehoods are required to be vented to the outside atmosphere. If this is not followed warranty may be void.**

**Top Ducting** - Place the supplied transition rectangle to 200mm round (HBX200TRANS) rectangle outlet only on the top of the outlet of the rangehood. With the 150mm outlet Power 1020 motor units attach on the top of the duct either rigid, semi rigid or flexi-duct (either not supplied) and continue this installation through the roof space to be vented through to an eave, wall or roof vent. It is critical to maintain the ducting size, be it 150mm or 200mm throughout the installation and keep the ducting as straight and tight as possible to the outlet vent position.

**Back Ducting** - On the rectangle or round outlet on the back of the rangehood, feed the supplied 600mm long rectangle ducting (HBXREDUCT) or 150mm round semi rigid ducting through the hole created in step 1 from the outside of the home. Depending on the thickness of the wall, reduce the length of the rectangle or semi rigid ducting by cutting. Fit the supplied rectangle wall vent (HBXRECVENT) or round vent inside the rectangle or round duct and mount into place using the pre-drilled fixing holes on the vent as a guide.

## STEP 9:

Place the stainless steel chimney on the hood and secure to the Chimney Bracket with the two (2) screws supplied. If the chimney is required to be shortened, new holes may need to be drilled to secure the chimney cover.

## STEP 10:

Attach the male power plug of the rangehood unit to mains power supply. Note to electricians: Standard 10 Amp General Power Outlet (GPO) required. Position GPO as close to the hood unit as possible.

## INSTALLING THE GREASE TRAP AND BAFFLE FILTERS:

All WHISPAIR hoods utilise removable baffle filters and grease trap. This filtration system is used to catch by-products such as grease and moisture from the air flow.

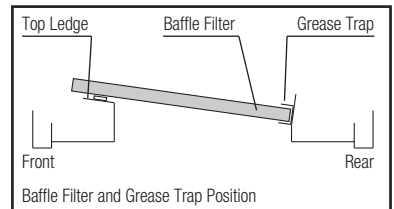
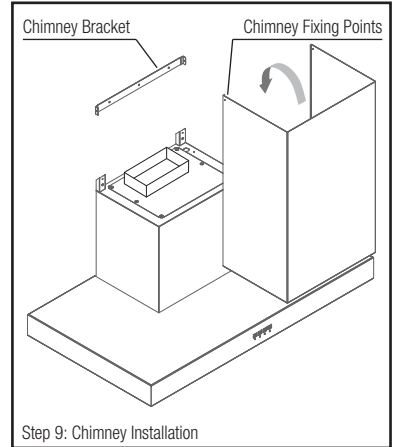
To install the baffle filters, simply locate the filter on the top ledge of the hood and then slide the filter on a downward angle to rest in the channel of the grease trap. Ensure the filter vane are aligned towards the rear of the hood.

Most by-products are captured and stored directly in the baffle filters however the grease trap may begin to fill when excess amounts of grease and condensate build up in the filter vanes.

The grease trap can be removed for cleaning by removing the two (2) screw fixings in the channel.

To clean your baffle filters and grease trap please wash with warm soapy water or simply place in the dishwasher for convenience.

It is recommended the baffle filters and grease trap are cleaned every 4 weeks at a minimum to reduce the risk of fire, or more frequently depending on the types of food and use of the rangehood.



# PART 1: HOOD INSTALLATION GUIDE

## Island Hung Canopy Hood with Integrated Fan Motor

Models included: X7S09S6.OU/T, X7S09S6.OP/T, X7V09S6.OU/T, X7V09S6.OP/T, X7R09S6.OU/T, X7R09S6.OP/T, X7R09W6.OU/T and X7R09W6.OP/T

### WARNING

**DIMENSIONS ARE ACCURATE AT THE TIME OF PRINTING, HAUS GROUP RESERVES THE RIGHT TO CHANGE SPECIFICATIONS WITHOUT NOTICE. FOR BUILDING PURPOSES THE UNIT SHOULD BE PROVIDED TO THE CABINET MAKER / BUILDER / KITCHEN DESIGNER FOR EXACT MEASUREMENTS.**

#### STEP 1:

Using a weighted string line (plumb line), determine the central position of hood on the ceiling. Ensure the hood is mounted as close to the centre of the cooking surface as possible. Mark the position. Before making the cut out, check for obstructions like electrical cables, etc.

#### NOTE:

The height of the underside of the hood body must be a minimum of 600mm above an electric cooktop, for a gas cooktop a minimum of 600mm above the highest part of the highest burner and a maximum height of 1200mm. If the instructions of the hob specify a greater distance than the minimum detailed, this shall be the minimum height for installation.

A comfortable installation height would be 700 – 750mm gap between the base of the rangehood and the highest part on your cooktop.

Building codes that stipulate a minimum dimension may vary from state to state, please check with your local council prior to installation.

#### STEP 2:

Place the two (2) supplied supporting metal beams (1000mm long) with pre-drilled fixing holes perpendicular (90°) to the roof trusses.

#### STEP 3:

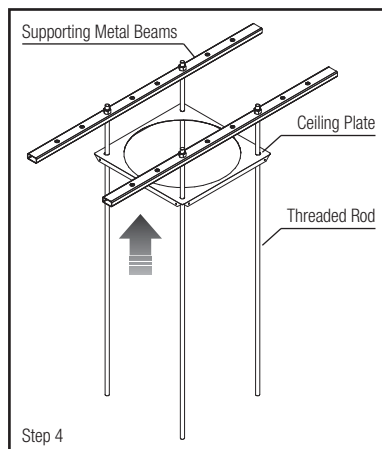
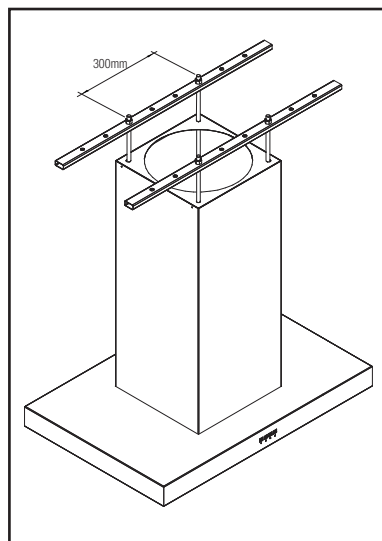
Fit the four (4) supplied 10mm threaded rod through the holes provided on the supporting metal beams and secure with nuts and washers provided. Ensure the rod drop height is sufficient to attach the hood and nut fixings but is not excessive that is will impede the placement of the filters.

#### STEP 4:

Feed the Ceiling Plate up the threaded rod and fix into position with nuts provided ensure a firm fit to the ceiling.

#### STEP 5 (OPTIONAL):

For additional stability add a second Ceiling Plate (optional) half way between the ceiling and the hood. This will give the mounting additional stability which may be beneficial for longer chimney runs.



# PART 1: HOOD INSTALLATION GUIDE

## STEP 6:

Lift the stainless steel chimney into position and secure to the Ceiling Bracket with the four (4) screws supplied. If the chimney is required to be shortened, new holes may need to be drilled to secure the chimney cover.

## STEP 7:

**Please note all Whispair rangehoods are required to be vented to the outside atmosphere. If this is not followed warranty may be void.**

Attach the rigid duct (not supplied) or flexi-duct (not supplied) to the hood unit  
Top Ducting - Place the supplied transition rectangle to 200mm round (HBX200TRANS) rectangle outlet only on the top of the outlet of the rangehood. With the 150mm outlet Power 1020 motor units attach on the top of the duct either rigid, semi rigid or flexi-duct (either not supplied) and continue this installation through the roof space to be vented through to an eave, wall or roof vent. It is critical to maintain the ducting size, be it 150mm or 200mm throughout the installation and keep the ducting as straight and tight as possible to the outlet vent position.

## STEP 8:

Lift and attach the hood unit to the base of the threaded rod with the provided nuts and washers. Level the unit off by tensioning the 10mm nuts. Being mindful not to over tighten. Minimise how much threaded rod is below the nut. Excess threaded rod may interfere with the baffle filters.

## STEP 9:

Feed any excess flexi-ducting back into the ceiling space ensuring that any excess gathering of ducting is pulled tight. Loose and gathered ducting will reduce the extraction levels.

## STEP 10:

Attach the male power plug of the rangehood unit to mains power supply. Note to electricians: Standard 10 Amp General Power Outlet (GPO) required. Position GPO as close to the hood unit as possible.

## INSTALLING THE GREASE TRAP AND BAFFLE FILTERS:

All WHISPAIR hoods utilise removable baffle filters and grease trap. This filtration system is used to catch by-products such as grease and moisture from the air flow.

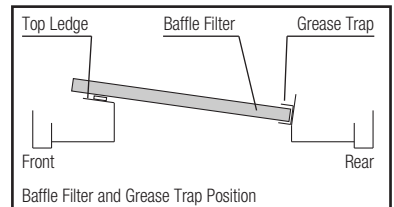
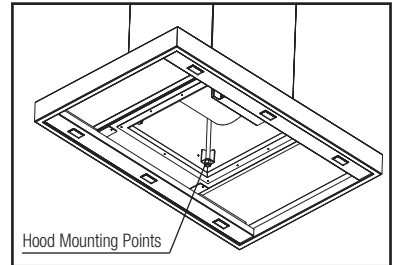
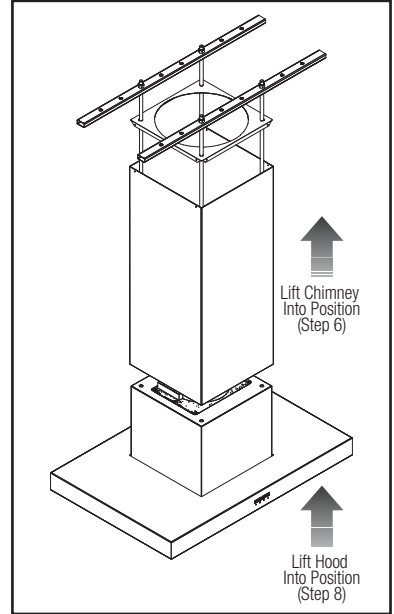
To install the baffle filters, simply locate the filter on the top ledge of the hood and then slide the filter on a downward angle to rest in the channel of the grease trap. Ensure the filter vane are aligned towards the rear of the hood.

Most by-products are captured and stored directly in the baffle filters however the grease trap may begin to fill when excess amounts of grease and condensate build up in the filter vanes.

The grease trap can be removed for cleaning by removing the two (2) screw fixings in the channel.

To clean your baffle filters and grease trap please wash with warm soapy water or simply place in the dishwasher for convenience.

It is recommended the baffle filters and grease trap are cleaned every 4 weeks at a minimum to reduce the risk of fire, or more frequently depending on the types of food and use of the rangehood.



# OPERATION

## Operating your 4-button control panel

Models included: Electronic Control or Touch Control

### TURNING THE EXTRACTION FUNCTION ON OR OFF:

- In standby mode, press button 2 or 3 to change the speed.
  - The hood has three speed options and a 4th boost speed (4 speeds in total).
  - The LED indicators directly above the buttons indicates the speed setting selected.
  - To turn hood off, press button 2 repeatedly until hood returns to standby mode.
- 
- Auto off function: After 2 hour of operation without alteration the fan motor will turn off (returned to standby).

### TURNING THE LIGHT FUNCTION ON OR OFF:

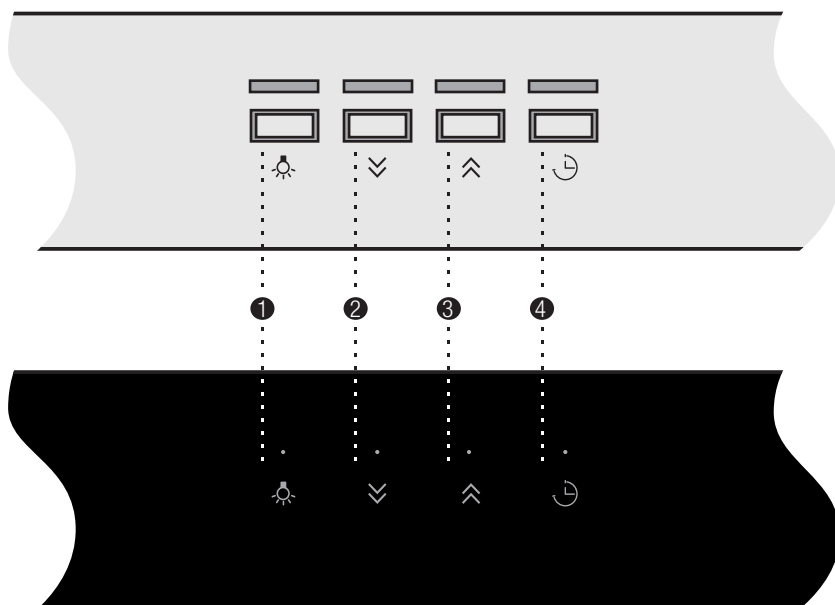
Press button 1 to turn on or turn off the light independently in standby mode.

### TURNING THE TIMER FUNCTION ON OR OFF:

In operating mode, press button 4 to engage the timer function, then press button 2 or 3 to adjust the delay time.

The default timer is set to 10mins and can be increased in increments of 10mins up to 1 hour (i.e. 4 pushes of button 3 will result in timer set to 50mins before shut off).

When the timer is first activated, the LED positioned behind button 4 (timer) will flash quickly to indicate the time setting i.e. for 30mins remaining the LED will blink 3 times quickly. When the timer function is engaged the (timer) LED positioned behind button 4 (timer) will blink slowly until the timer expires.



# PRODUCT CARE

It is recommended that your WHISPAIR rangehood and all of its items be cleaned regularly. Before any cleaning or maintenance work, disconnect the cooker hood from the mains power supply.

## CLEANING THE STAINLESS STEEL HOOD UNIT

- It is expected that the stainless steel is cleaned with a quality non-abrasive stainless steel cleaner.
- Use a soft cloth for application.
- It is recommended that this is performed every 4 weeks.

## CLEANING THE KLEENAIR FAN MOTOR UNIT

- The KLEENAIR unit should be checked regularly to ensure that nothing is obstructing the air flow from the housing.
- If there are obstructions, please remove the debris ensuring the product returns to the manufacturer's intended operating condition.

## CLEANING THE BAFFLE FILTERS AND GREASE TRAP

WARNING WHEN HANDLING FILTERS - BAFFLES AND EDGES OF FILTER CAN BE SHARP

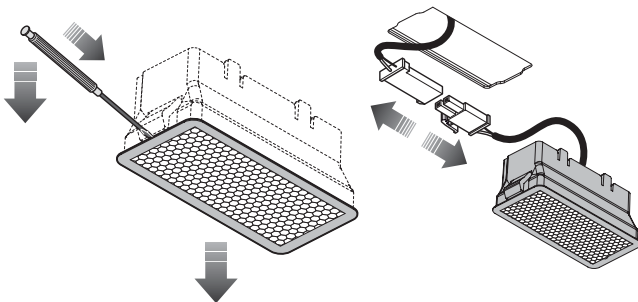
- The baffle filters and grease trap can be removed from the mounted position within the hood and washed in the dishwasher or by hand and is recommended every 4 weeks at a minimum.
- Use hot water and liquid detergent.
- After cleaning, leave the filters and trap to dry before placing back in the hood.

## WARNING WHEN CHANGING THE LED LAMP

Please be aware that whilst in use LED lighting units may become hot and the surrounding area may remain hot for some time after switching off. Please allow the lamp area to cool before operating near the lighting.

## REPLACEMENT OF LED LAMP

- Make sure the main power supply into hood is disconnected at the GPO.
- Using a fine flat blade, wedge the LED unit from the insert whilst applying pressure to the locking tab.
- Disconnect the 12V connectors.
- Replace with a new unit and push back inside the cut outs in the fascia.
- Please replace only with a genuine unit available from Haus Group Australia Pty Ltd.



## WARRANTY

Every retail WHISPAIR rangehood comes with a **5-Year** parts and labour warranty. WHISPAIR Prague Commercial specific units comes with a **3-Year** parts and labour warranty. This warranty is conditional upon the appliance being used only for personal, domestic and household purposes and installed and operated in accordance with WHISPAIR instructions.

The consumer is responsible for any charges associated with removal of the faulty unit and installation of the new unit.

The customer may also be responsible for any freight charges incurred in this change over process.

The installation of WHISPAIR rangehoods must comply with the information in the guide. Installation of the rangehood must be in a covered area, to avoid direct weathering. Failure to follow the guidelines will result in loss of warranty.

We recommend our customers use an authorised WHISPAIR installer.

Any imperfections in the finishes or in the natural materials used should not be considered as faults but a typical characteristic of these crafted products.

Should you ever need to make a warranty related enquiry about your WHISPAIR product, in Australia simply call Haus Group Australia on +61 (0) 3 9775 1436 to speak with our friendly customer service team consultants. We suggest you have the following information close at hand to make the process as easy as possible:

1. Model number of your complete rangehood and motor unit
2. A copy of your WHISPAIR proforma invoice
3. Address details of where the appliance has been installed

Any associated or ancillary costs to be incurred by you as a result of replacement or repair of your WHISPAIR rangehood under this guarantee shall, in all cases, be previously approved by Haus Group Australia Pty Ltd.

Please note: The benefits provided under this warranty are additional to other rights and remedies available to the customer under the Australian Customer Law.

## YOUR STATUTORY RIGHTS

Our goods come with guarantees that cannot be excluded under the Australian Consumer Law. You are entitled to a replacement or a refund for a major failure and for compensation for any other reasonably foreseeable loss or damage. You are also entitled to have the goods repaired or replaced if the goods fail to be of acceptable quality and the failure does not amount to a major failure.





*whispair*

*whispair*

*whispair*

*whis*

*spair*

*whispair*

*whispair*

*whispair*

*whispair*

*whispair*

*whispair*

*whis*

*spair*

*whispair*

*whispair*

*whispair*

*whispair*

*whispair*

*whispair*

*whis*

*spair*

*whispair*

*whispair*

*whispair*

*whispair*

*whispair*

*whispair*

*whis*

*spair*

*whispair*

*whispair*

*whispair*

*whispair*

*whispair*

*whispair*

*whis*

*spair*

*whispair*

*whispair*

*whispair*

*whispair*

*whispair*

*whispair*

*whis*

*spair*

*whispair*

*whispair*

*whispair*

Print Version: W\_18\_S6\_03

haus.

head office.

Haus Group Australia Pty Ltd  
2/2 Network Drive

CARRUM DOWNS Victoria Australia 3102

t. 03 8593 9600 f. 03 8593 9699

e. [info@hausgroup.com.au](mailto:info@hausgroup.com.au)

w. [www.hausgroup.com.au](http://www.hausgroup.com.au)