

SINGLE POLE SWITCH

WARNING: TO BE INSTALLED AND/OR USED IN ACCORDANCE WITH APPROPRIATE ELECTRICAL CODES AND REGULATIONS. IF YOU ARE NOT SURE ABOUT ANY PART OF THESE INSTRUCTIONS, CONSULT A QUALIFIED ELECTRICIAN.

WARNING: USE THIS DEVICE ONLY WITH COPPER OR COPPER CLAD WIRE.

WARNING: TO AVOID FIRE, SHOCK, OR DEATH, **TURN OFF POWER** AT CIRCUIT BREAKER OR FUSE AND TEST THAT THE POWER IS OFF BEFORE WIRING!

NOTE: Terminal screws accept up to #12 AWG copper or copper clad wire. Push-in terminals accept #14 AWG solid copper wires ONLY! For circuits with #12 AWG solid copper or copper clad wires, use terminal screws instead.

1. Connect wires per WIRING DIAGRAM as follows:

For Side Wire:

Remove approximately 3/4" (1.9 cm) insulation from wire. Loop wires clockwise 3/4 turn around terminal screws. BLACK (Hot) wire to any BRASS screw, other Black wire to remaining BRASS screw, GREEN or BARE (Ground) wire to GREEN screw. Firmly tighten screws over wire loops.

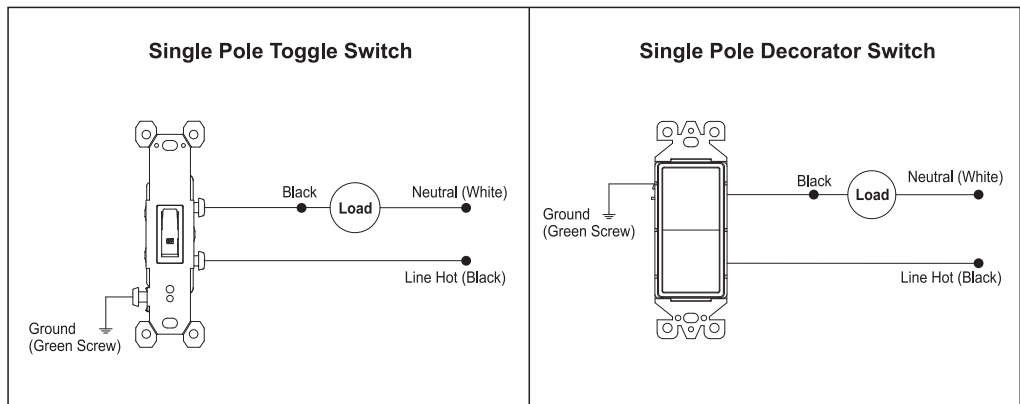
For Push Wire:

Remove approximately 3/5" (1.5 cm) insulation per strip gauge from wire. Push #14 AWG solid copper wires into the bottom of any round hole. Push other #14 AWG solid copper wires into the remaining round hole. This device must be properly grounded for electrical shock protection. Connect green or bare grounding wire to the green hex head screw.

If the switch must be replaced or rewired after it is push wired, gently press the tip of a small screwdriver in the release slot and back the wire out gradually.

If the switch or push-in terminal become damaged, do not reuse.

2. Mount device in wall box with screws provided and mount wall plate.
3. Restore power at circuit breaker or fuse. Installation is complete.



ELE GROUP CO., LTD

NO.158 CHUANGYUAN ROAD, SIP SUZHOU, JIANGSU, CHINA 215125
WWW.ELEGRP.COM

3-WAY SWITCH



WARNING: TO BE INSTALLED AND/OR USED IN ACCORDANCE WITH APPROPRIATE ELECTRICAL CODES AND REGULATIONS. IF YOU ARE NOT SURE ABOUT ANY PART OF THESE INSTRUCTIONS, CONSULT A QUALIFIED ELECTRICIAN.

WARNING: USE THIS DEVICE ONLY WITH COPPER OR COPPER CLAD WIRE.

WARNING: TO AVOID FIRE, SHOCK, OR DEATH, **TURN OFF POWER** AT CIRCUIT BREAKER OR FUSE AND TEST THAT THE POWER IS OFF BEFORE WIRING!

NOTE: Terminal screws accept up to #12 AWG copper or copper clad wire. Push-in terminals accept #14 AWG solid copper wires ONLY! For circuits with #12 AWG solid copper or copper clad wires, use terminal screws instead.

1. Connect wires per WIRING DIAGRAM as follows:

For Side Wire:

Remove approximately 3/4" (1.9 cm) insulation from wire. Loop wires clockwise 3/4 turn around terminal screws.

(a) Connect the line Hot (Black) to the common terminals (Black screw) of one switch. Connect the travelers to both traveler terminals (brass screw) of the switch. Connect green or bare grounding wire to the green hex head screw. Firmly tighten screws over wire loops.

(b) Connect the load line (Black) to the common terminals (Black screw) of another switch. Connect the travelers of the switch that has finished wiring to both traveler terminals (brass screw) of the switch. Connect green or bare grounding wire to the green hex head screw. Firmly tighten screws over wire loops.

For Push Wire:

Remove approximately 3/5" (1.5 cm) insulation per strip gauge from wire.

(a) Push the line hot (Black) into the bottom of round common hole of one switch. Push travelers into the bottom of both traveler holes of the switch. Connect green or bare grounding wire to the green hex head screw. Firmly tighten screws over wire loops.

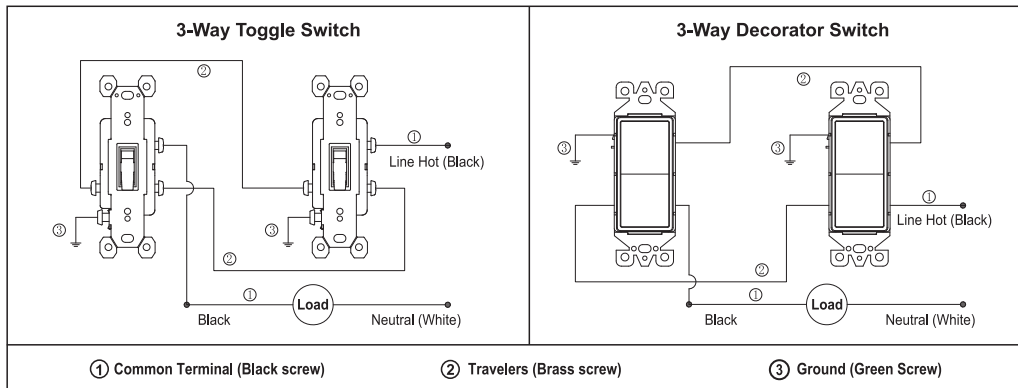
(b) Push the load line (Black) into the bottom of common hole of another switch. Push travelers into the bottom of both traveler holes of the switch. Connect green or bare grounding wire to the green hex head screw.

If the switch must be replaced or rewired after it is push wired, gently press the tip of a small screwdriver in the release slot and back the wire out gradually.

If the switch or push-in terminal become damaged, do not reuse.

2. Mount device in wall box with screws provided and mount wall plate.

3. Restore power at circuit breaker or fuse. Installation is complete.



ELE GROUP CO., LTD

NO.158 CHUANGYUAN ROAD, SIP SUZHOU, JIANGSU, CHINA 215125
WWW.ELEGRP.COM