

**1.4 cubic foot sensor microwave oven**  
Owner's Manual.....1 - 18

**Four à micro-ondes à capteur de 1,4 pied cube**  
Manuel du propriétaire.....19 - 36

**Horno de microondas con sensor de 1.4 pies cúbicos**  
Manual del propietario.....37 - 54

**MODEL • MODÈLE • MODELO**

**DDMW01440WG1  
DDMW01440BG1  
DDMW01440IG1**

# Welcome to the Danby family.

We are proud of our quality products and we believe in dependable service. We suggest that you read this owner's manual before plugging in your new appliance as it contains important operation information, safety information, troubleshooting, and maintenance tips to ensure the reliability and longevity of your appliance.

You are entitled to the warranty coverage as described in the owner's manual provided with your new appliance.

1. Please write down your appliance information below. **You must keep the original proof of purchase receipt to validate and receive warranty services.**
2. Register your product online and receive a **FREE 2 MONTH WARRANTY EXTENSION** after filling out a product survey, at [www.danby.com/support/product-registration/](http://www.danby.com/support/product-registration/)

**Model Number:** \_\_\_\_\_

**Serial Number:** \_\_\_\_\_

**Date of Purchase:** \_\_\_\_\_

## Need Help?

1. Read your Owner's Manual for installation help, troubleshooting, and maintenance assistance.
2. Visit [www.Danby.com](http://www.Danby.com) to access self-service tools, FAQs and much more by searching your model number in the search bar.
3. For the **Quickest Customer Service**, please fill out the web form at [www.danby.com/support](http://www.danby.com/support). Your submission will go directly to an expert on your particular appliance. Our average response times are between 20 minutes and 2 hours, during EST business hours.
4. Call **1-800-263-2629** - please note that during peak hours, hold times can exceed one hour.



## **IMPORTANT SAFETY INSTRUCTIONS READ AND FOLLOW ALL SAFETY INSTRUCTIONS**

### **PRECAUTIONS TO AVOID POSSIBLE EXPOSURE TO EXCESSIVE MICROWAVE ENERGY**

- 1. Do not attempt to operate this oven with the door open since open-door operation can result in harmful exposure to microwave energy. It is important not to defeat or tamper with the safety interlocks.**
- 2. Do not place any object between the oven front face and the door or allow soil or cleaner residue to accumulate on sealing surfaces.**
- 3. Do not operate the oven if it is damaged. It is very important that the oven door close properly and that there is no damage to the:**
  - a) Door (bent),**
  - b) Hinges and latches (broken or loosened),**
  - c) door seals and sealing surfaces.**
- 4. The oven should not be adjusted or repaired by anyone except properly qualified service personnel.**

**SAVE THESE INSTRUCTIONS!**



## **IMPORTANT SAFETY INSTRUCTIONS READ AND FOLLOW ALL SAFETY INSTRUCTIONS**

**WARNING** - To reduce the risk of burns, electric shock, fire, injury to persons or exposure to excessive microwave energy:

1. Read all instructions before using the appliance.
2. Read and follow the specific "PRECAUTIONS TO AVOID POSSIBLE EXPOSURE TO EXCESSIVE MICROWAVE ENERGY" found on page 2.
3. This appliance must be grounded. Connect only to properly grounded outlet. See "GROUNDING INSTRUCTIONS" found on page 6.
4. Install or locate this appliance only in accordance with the provided installation instructions.
5. Do not operate the oven when it is empty.
6. Some products such as whole eggs and sealed containers - for example, closed glass jars - are able to explode and should not be heated in this oven.
7. Use this appliance only for its intended use as described in this manual. Do not use corrosive chemicals or vapors in this appliance. This type of oven is specifically designed to heat, cook or dry food. It is not designed for industrial or laboratory use.
8. As with any appliance, close supervision is necessary when used by children.

**SAVE THESE INSTRUCTIONS!**



## **IMPORTANT SAFETY INSTRUCTIONS READ AND FOLLOW ALL SAFETY INSTRUCTIONS**

9. To reduce the risk of fire in the oven cavity:
  - a) Do not overcook food. Carefully attend appliance when paper, plastic, or other combustible materials are placed inside the oven to facilitate cooking.
  - b) Remove wire twist -ties from paper or plastic bag before placing bag in oven.
  - c) If material inside of the oven ignite, keep oven door closed, turn oven off, and disconnect the power cord, or shut off power at the fuse or circuit breaker panel.
  - d) Do not use the cavity for storage purposes. Do not leave paper products, cooking utensils, or food in the cavity when not in use.
10. Liquids, such as water, coffee, or tea are able to be overheated beyond the boiling point without appearing to be boiling. Visible bubbling or boiling when the container is removed from the microwave is not always present. **THIS COULD RESULT IN VERY HOT LIQUIDS SUDDENLY BOILING OVER WHEN THE CONTAINER IS DISTURBED OR A UTENSIL IS INSERTED INTO THE LIQUID.**
  - a) Do not overheat liquid.
  - b) Stir liquids halfway through heating.
  - c) Do not use straight-sided containers with narrow necks.
  - d) After heating allow the container to stand in the microwave oven for a short time before removing the container.
11. Do not heat oil or fat for deep-frying. It is difficult to control the temperature of oil in a microwave oven.
12. Do not cover or block any openings on the appliance.
13. Do not store or use this appliance outdoors. Do not use this product near water - for example, near a kitchen sink, in a wet basement, near a swimming pool or similar locations.

**SAVE THESE INSTRUCTIONS!**



## IMPORTANT SAFETY INSTRUCTIONS READ AND FOLLOW ALL SAFETY INSTRUCTIONS

14. Do not operate this appliance if it has a damaged cord or plug, if it is not working properly or if it has been damaged or dropped.
15. Do not immerse cord or plug in water. Keep cord away from heated surface. Do not let cord hang over edge of table or counter.
16. When cleaning the surfaces of the door and oven that come together when the door is closed, use only mild, nonabrasive soaps, or detergent applied with a sponge or soft cloth.
17. This equipment has been tested and found to comply with Part 18 of the FCC Rules. Operation is subject to the following two conditions:
  - 1) This device may not cause harmful interference.
  - 2) This device must accept any interference received, including interference that may cause undesired operation.

**CAUTION:** Changes or modifications not expressly approved by the party responsible for compliance could void the user's authority to operate the product.
18. This equipment generates, uses and can radiate radio frequency energy and if not installed and used in accordance with the instructions it may cause harmful interference to radio communications. However, there is no guarantee that interference will not occur in a particular installation. If this equipment does cause harmful interference to radio or television reception, which can be determined by turning the equipment off and on, the user is encouraged to try to correct the interference by one or more of the following measures:
  - Reorient or relocation the receiving antenna.
  - Increase the separation between the equipment and the receiver.
  - Connect the equipment into an outlet on a circuit different from that to which the receiver is connected.
  - Consult the dealer or an experienced radio/TV technician for help.
19. This appliance should be serviced only by qualified service personnel. Contact the nearest authorized service facility for examination, repair or adjustment or contact our customer support center at 1-800-263-2629.

**SAVE THESE INSTRUCTIONS!**



## IMPORTANT SAFETY INSTRUCTIONS READ AND FOLLOW ALL SAFETY INSTRUCTIONS

### GROUNDING INSTRUCTIONS

This appliance must be grounded. In the event of an electrical short circuit, grounding reduces the risk of electrical shock by providing an escape wire for the electrical current.

This appliance is equipped with a cord that has a grounding wire with a grounding plug. The power cord must be plugged into an outlet that is properly grounded. If the outlet is a standard 2-prong wall outlet, it is your responsibility to have it replaced with a properly grounded 3-prong wall outlet. The serial rating plate indicates the voltage and frequency the appliance is designed for.

**WARNING** - Improper use of the grounding plug can result in a risk of electric shock. Consult a qualified electrician or service agent if the grounding instructions are not completely understood, or if doubt exists as to whether the appliance is properly grounded.

Do not connect your appliance to extension cords or together with another appliance in the same wall outlet. Do not splice the power cord. Do not under any circumstances cut or remove the third ground prong from the power cord.

If the power supply cord is damaged, it must be replaced by the manufacturer, its service agent or similar qualified person in order to avoid hazard.

Have a qualified electrician install a grounded outlet near the appliance if the power cord is too short.

A short power supply cord is provided to reduce the risks resulting from becoming entangled in or tripping over a longer cord.

Power Consumption	120 V / 60 Hz, 1500 W
Output	1000 W
Operational Frequency	2450 MHz
Outside Dimensions (H x D x W)	31.1 cm x 44.6 cm x 55.3 cm 12.2 in x 17.6 in x 21.8 in
Interior Dimensions (H x D x W)	25.6 cm x 40.5 cm x 38.1 cm 10.1 in x 15.9 in x 15 in
Oven Capacity	1.4 cubic feet
Net Weight	~16 kg (~35 lbs)

**SAVE THESE INSTRUCTIONS!**



## **IMPORTANT SAFETY INSTRUCTIONS READ AND FOLLOW ALL SAFETY INSTRUCTIONS**

### **SAFETY - SUPERHEATED LIQUID**

Liquids are able to be overheated beyond the boiling point without appearing to be boiling due to the surface tension of the liquid. Visible bubbling will not always be present when the liquid is removed from the appliance. This could result in very hot liquids suddenly boiling over when a utensil or other item such as a tea bag is inserted into the liquid.

To reduce the risk of injury:

- Do not overheat liquids. Do not heat any liquid for more than 2 minutes per cup.
- Stir liquids before and halfway through heating.
- Do not use straight-sided containers with narrow necks as this can cause a build up of steam.
- Superheated liquid can begin to spontaneously boil when removed from the microwave. After heating, allow the liquid to stand in the microwave for 30 seconds before removing.
- Use extreme care when inserting a utensil or other item into hot liquids.

The contents of milk bottles and baby food jars should be stirred or shaken and the temperature checked before serving in order to avoid burns.

Do not defrost frozen beverages, especially carbonated beverages, in this appliance as they could explode.

Hot foods and steam can cause burns. Be careful when opening any container that has been heated in the appliance. Direct the opening away from hands and face to avoid burns.

### **SAFETY - ARCING**

Arcing refers to sparks inside the microwave while it is in operation. Arcing is caused by:

- Metal or foil inside the appliance.
- Recycled paper towels being used inside the appliance, as these can contain small pieces of metal.

If arcing is present, stop operation and remove any metal or paper towels from the appliance.

**SAVE THESE INSTRUCTIONS!**

## INSTALLATION INSTRUCTIONS

### INSTALLATION

- Remove all packing materials from the inside and outside of the microwave. Do not remove the cardboard mica sheet covering the magnetron.
- Check the microwave for damage before using, such as a misaligned or bent door, damaged door seals, broken or loose door hinges or latches, or dents inside the cavity or on the door. If there is any damage to the microwave, do not use it, return it to its point of purchase or contact consumer care.
- The microwave must be placed on a flat, stable surface that is able to hold its weight and the heaviest food likely to be placed in the microwave.
- Do not use this microwave where heat, moisture or high humidity are generated.
- Do not clean this microwave with or use near combustible materials.
- Allow 20 cm (8 inches) of space above the microwave, 10 cm (4 inches) at the back of the microwave and 5 cm (2 inches) on both sides for proper air flow around the microwave. Do not block any ventilation openings on the microwave.
- Do not operate the microwave without the glass tray, roller support and shaft in their correct positions.
- **WARNING:** Do not install the microwave over a range cooktop or other heat producing appliance. If installed near or above a heat source the microwave could be damaged and the warranty would be void.

## OPERATING INSTRUCTIONS

### COOKING TECHNIQUES

To achieve the best results when cooking in this microwave, follow the suggestions below.

#### STIRRING

Stir foods while cooking to distribute heat evenly. Food at the outside of the dish absorbs more energy and will heat more quickly so stir from the outside of the dish toward the center.

#### ARRANGEMENT

Arrange unevenly shaped foods thicker, meatier parts toward the outside of the turntable so they receive more heat. To prevent overcooking, place delicate items toward the center of the turntable.

#### SHIELDING

Delicate foods can be shielded with narrow strips of aluminum foil to prevent overcooking. Use only small amounts of foil as this can cause arcing and damage to the microwave.

#### TURNING

Turn food over midway through cooking to expose all parts to the microwave energy. This is important with large items and meat.

#### STANDING

Foods cooked in a microwave build up internal heat and continue to cook for a few minutes after heating stops. Let foods stand to complete cooking, especially meats and liquids. All liquids should be allowed to stand for a few minutes after cooking and should be shaken or stirred before consuming.

#### ADDING MOISTURE

Microwave energy is attracted to water molecules. Food that is uneven in moisture content should be covered and allowed to stand after cooking to allow the heat to disperse evenly. Add a small amount of water to dry food to help it cook.

# OPERATING INSTRUCTIONS

## COOKING UTENSILS GUIDE

Certain utensils are inappropriate for use in a microwave. See below for more information on which utensils are recommended, which should only have limited use and which are not recommended.

### RECOMMENDED

**Microwave Browning Dish:** Used to brown the exterior of small food items. Follow the directions provided with the browning dish.

**Microwavable Plastic Wrap:** Used to retain steam. Leave a small opening to avoid a build up of steam. Do not place directly on food.

**Glass and Ceramic Bowls and Dishes:** Use for heating or cooking.

**Paper Plates and Cups:** Use for short term heating at low temperatures. Do not use recycled paper as they can contain metal and could ignite.

**Paper Towels and Napkins:** Use for short term heating and covering. They can absorb excess moisture and prevent splattering. Do not use recycled paper towels as they can contain metal and could ignite.

**Wax Paper:** Use as a cover to prevent splattering.

**Thermometers:** Only use those that are labeled "microwave safe" and follow all directions. Check the food in several places. Conventional thermometers can be used once the food has been removed from the microwave.

## LIMITED USE

**Aluminum Foil:** Use narrow strips to prevent overcooking of exposed areas. Using too much foil can cause arcing and damage the appliance. Keep a distance of at least 1 inch (2.6 cm) between the foil and the inside of the appliance.

**Ceramic, Porcelain and Stoneware:** Only use if they are labeled "microwave safe".

**Plastic:** Only use if labeled "microwave safe".

## NOT RECOMMENDED

**Glass Jars and Bottles:** Regular glass is too thin to be used in a microwave. It can shatter and cause damage or injury.

**Paper Bags:** These are a fire hazard and could ignite. The only exception is popcorn bags, which are designed for microwave use.

**Styrofoam Plates and Cups:** These can melt and leave an unhealthy residue on food.

**Plastic Storage and Food Containers:** These can melt and ignite.

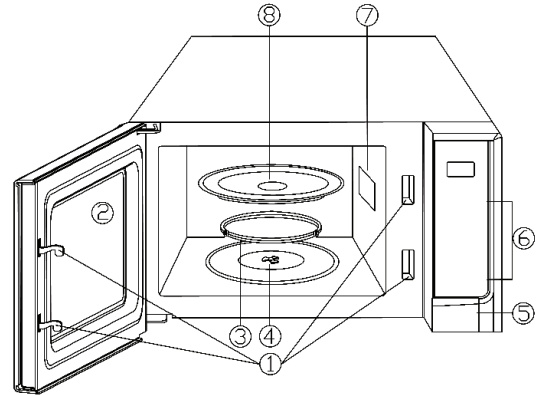
**Metal Utensils:** These can cause arcing and damage to the appliance. Remove all metal before operation.

**Note:** To check if a dish is safe for use in the microwave, place the empty dish in the appliance and microwave on high for 30 seconds. If the dish becomes very hot, it should not be used.

# OPERATING INSTRUCTIONS

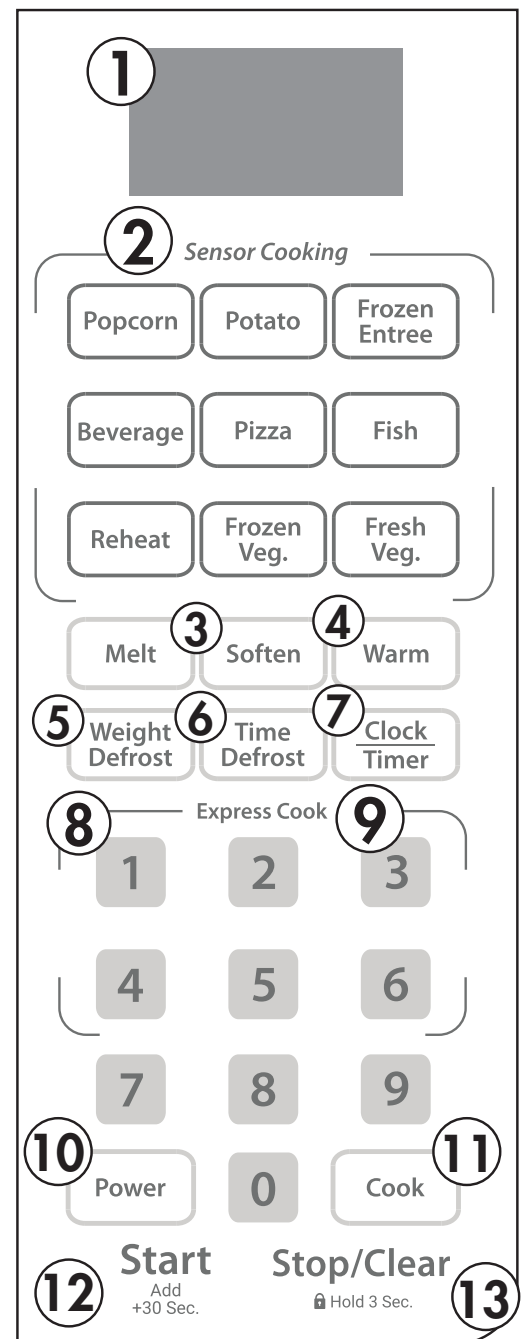
## FEATURES

1. Door Lock System
2. Oven Window
3. Roller Ring
4. Shaft
5. Door Release Button
6. Control Panel
7. Mica Sheet (**Do Not Remove**)
8. Glass Tray



## CONTROL PANEL

1. **Display:** Shows cooking time, power level and clock time.
2. **Sensor Cooking:** Measures the humidity that the food releases and turns off the microwave when cooking or reheating is done.
3. **Melt/Soften:** Press to melt or soften food.
4. **Warm:** Press to set the warming program.
5. **Weight Defrost:** Used to set the defrost program based on weight.
6. **Time Defrost:** Used to set the defrost program based on time.
7. **Clock/Timer:** Used to set the clock and the timer functions.
8. **Number Pad:** Used to set time or amounts.
9. **Express Cook:** Press numbers 1 - 6 to set a cook program for that number of minutes.
10. **Power:** Used to select the power level.
11. **Cook:** Used to set a multi stage cooking program.
12. **Start/+30SEC:** Used to start a cooking program or add 30 seconds to a cooking program.
13. **Stop/Clear:** Used to pause or clear a cooking program. Press once to pause a program, press twice to cancel a program. Press and hold for 3 seconds to engage the control panel lock.



# OPERATING INSTRUCTIONS

## FIRST TIME USE

When the microwave is plugged in for the first time it will beep and the display will show "1:01" and "CLOCK". Use the number pad to enter the current time and then press the clock button to confirm.

When setting the cook timer, the microwave will return to standby mode if there is no input within 25 seconds.

During operation:

- Press the **Start/+30SEC** button to begin operation.
- Press the **Stop/Clear** button once to pause a program and twice to cancel a program.
- The microwave will beep four times and display "END" at the end of a cooking program. The microwave will continue to beep every two minutes until the door is opened or the **Stop/Clear** button is pressed.

## SETTING THE CLOCK

The clock can be set as a 12 or 24 hour clock. Press and hold the **Clock/Timer** button for 3 seconds to choose a 12 hour clock, then press it again to choose a 24 hour clock.

To set the current time:

1. Press the **Clock/Timer** button.
2. Use the number pad to enter the current time.
3. Press the **Clock/Timer** button to confirm.

During operation, press the **Clock/Timer** button to see the current time.

**Note:** If the set time exceeds the allowable range, the microwave will return to reset state after pressing the **Clock/Timer** button.

## MICROWAVE COOKING

1. Press the **Power** button repeatedly to select the power level.
2. Use the number pad to enter the desired cooking time. The maximum time is 99 minutes and 99 seconds.
3. Press the **Start/+30SEC** button to begin operation.

Press Power Button	Power (Display)
Once	100% (P-100)
Twice	90% (P-90)
3 times	80% (P-80)
4 times	70% (P-70)
5 times	60% (P-60)
6 times	50% (P-50)
7 times	40% (P-40)
8 times	30% (P-30)
9 times	20% (P-20)
10 times	10% (P-10)
11 times	0% (P-00)

**Note:** If "PLO" is selected, the microwave fan will run with no cooking function. This power level can be used to remove odors from the oven.

**Note:** During cooking, press the **Power** button to check the current power level.

# OPERATING INSTRUCTIONS

## MULTISTAGE COOKING

Some recipes require different stages of cooking at different temperatures. To set a two stage cook program:

1. Press the **Power** button repeatedly to choose the power level and then use the number pad to enter the desired cooking time for the first stage. Do not start the program.
2. Press the **Cook** button once.
3. Press the **Power** button repeatedly to choose the power level and then use the number pad to enter the desired cooking time for the second stage.
4. Press the **Start/+30sec** button to begin operation.

This microwave can also be set with three stages of cooking if **Time Defrost** is set as the first stage. For example:

1. Press the **Time Defrost** button and then use the number pad to enter the desired defrosting time. Do not start the program.
2. Press the **Cook** button once.
3. Press the **Power** button repeatedly to choose the power level and then use the number pad to enter the desired cooking time for the first cooking stage. Do not start the program.
4. Press the **Cook** button once.
5. Press the **Power** button repeatedly to choose the power level and then use the number pad to enter the desired cooking time for the second cooking stage.
6. Press the **Start/+30sec** button to begin operation.

During operation the microwave will pause and beep to indicate that the food should be turned over or stirred. Press the **Start/+30SEC** button to resume operation after stirring.

**Note:** Multistage cooking cannot be used at the same time as sensor cooking, express cooking or the weight defrost.

# OPERATING INSTRUCTIONS

## SENSOR COOKING

The sensor cook feature will detect increasing humidity released from the food inside the oven during cooking. In order to ensure the induction effect, the oven will run the fan only for 45 seconds before cooking to remove any humid air inside the oven.

The sensor cook buttons are labeled for popular food items. Press the corresponding button and the oven will begin working automatically. For the Beverage option, press the Beverage button repeatedly to choose the serving size as per the below chart.

Food	Weight Range
Popcorn	3.5 oz
Potato	8 ~ 32 oz
Pizza	8 ~ 20 oz
Fish	8 ~ 20 oz
Fresh Vegetables	8 ~ 24 oz
Beverage (200 ml/cup)	1 cup
	2 cups
	3 cups
Frozen Entree	8 ~ 24 oz
Reheat	8 ~ 30 oz
Frozen Vegetables	8 ~ 24 oz

After the program begins, the display will show "CODE", "COOK", "----".

After cooking for a short period of time the humidity sensor will judge the cooking time based on the steam generated by the food and a countdown will show on the display.

During the countdown, remove cooking time by pressing 1/LESS or add more cooking time by pressing 3/MORE. Each press will adjust the cooking time by 5 seconds.

The cooking program will end automatically or end the program by opening the door or pressing **Stop/Clear**.

# OPERATING INSTRUCTIONS

## MELT

1. Press the **Melt** button repeatedly to choose the type of food in the chart below.
2. Use the numbers 1-3 to enter the food weight. 1 - 4oz. 2 - 8oz. 3 - 12oz.
3. Press the **Start/+30SEC** button to confirm.

Number Pad	Food	Weight
1	Butter	4 oz
		8 oz
		12 oz
2	Chocolate	4 oz
		8 oz
3	Cheese	8 oz
		16 oz

## SOFTEN

1. Press the **Soften** button repeatedly to choose the type of food in the chart below.
2. Use the numbers 1-3 to enter the food weight. 1 = 4oz. 2 = 8oz. 3 = 12oz.
3. Press the **Start/+30SEC** button to confirm.

Number Pad	Food	Weight
1	Butter	4 oz
		8 oz
		12 oz
2	Ice Cream	4 oz
		8 oz
		16 oz
3	Cream Cheese	4 oz
		8 oz
4	Brown Sugar	4 oz
		8 oz

## WARM

1. Press the **Warm** button.
2. Use the number pad to enter the desired warming time. The maximum time is 99 minutes and 99 seconds.
3. Press the **Start/+30SEC** button to confirm.

## TIME DEFROST

1. Press the **Time Defrost** button.
2. Use the number pad to enter the desired defrosting time. The maximum time is 99 minutes and 99 seconds.
3. Press the **Start/+30SEC** button to confirm.

During operation the microwave will pause and beep to indicate that the food should be turned over or stirred. Press the **Start/+30SEC** button to resume operation after stirring.

## WEIGHT DEFROST

The defrosting time and power level are adjusted automatically once the weight is entered.

1. Press the **Weight Defrost** button.
2. Use the number pad to enter the weight of the food that will be defrosted. The maximum allowable weight for meat, poultry or seafood is 5 lbs.
3. Press the **Start/+30SEC** button to confirm.

During operation the microwave will pause and beep to indicate that the food should be turned over or stirred. Press the **Start/+30SEC** button to resume operation after stirring.

# OPERATING INSTRUCTIONS

## TIMER

To set the timer function:

1. Press the **Clock/Timer** button.
2. Use the number pad to enter the desired time to run the timer. The maximum time is 99 minutes and 99 seconds.
3. Press the **Start/+30SEC** button to begin timer operation.

**Note:** The microwave will beep at the end of the timer program. Press the **Clock/Timer** button any time during operation to view the time remaining.

## EXPRESS COOK

When the microwave is not in operation, press the number pad from 1 to 6 and the microwave will run between 1 and 6 minutes at 100% cooking power. During cooking, press the power button to check the current cooking power.

## ADD 30 SECONDS

When the microwave is not in operation, pressing the **+30SEC** button will run the microwave for 30 seconds at 100% power level. This button can be pressed multiple times, each press will add a further 30 seconds to the cooking time. The maximum cooking time is 99 minutes and 99 seconds. During express cooking and microwave cooking an additional 30 seconds can be added to the program by pressing the **+30SEC** button.

## BUTTON ADHESION PROTECTION

The control panel includes a feature that will send an alert if a button gets stuck in position. If any button is pressed for more than 60 seconds the display will show "FAIL" and the microwave will beep. The microwave will continue to beep every minute until the issue is resolved.

Check that none of the buttons on the control panel are stuck down. Press the Stop/Clear button. If this does not solve the issue, unplug the microwave, let it stand for 1 minute and then plug it back in.

## CONTROL PANEL LOCK

The control panel lock prevents unsupervised operation by children.

To set the control panel lock press and hold the **Stop/Clear** button for 3 seconds. The microwave will beep to indicate that the lock is activated. While locked, the control panel cannot be used.

To cancel the control panel lock press and hold the **Stop/Clear** button for 3 seconds. The microwave will beep to indicate that the lock has been deactivated.

## CARE AND MAINTENANCE

### CLEANING

Turn off and unplug the microwave before performing any cleaning.

The inside of the microwave should be cleaned with a warm, damp cloth and mild detergents. Do not allow food splatters to build up on the inside of the microwave as this can affect the efficiency of the microwave and if sufficiently dirty, can ignite and cause fire.

The outside of the microwave should be cleaned with a warm, damp cloth. To avoid damage to internal components, do not allow any water to drip into the ventilation openings.

Clean the door and window on both sides, the door seals and the adjacent parts frequently with a damp cloth to remove any spills or splatters. Do not use abrasive cleaners.

Do not allow the control panel to become wet. If necessary, clean the control panel with a damp cloth and then wipe dry.

The glass tray can be removed and cleaned in warm water and mild detergent or can be placed in a dishwasher.

The roller ring and oven floor should be cleaned regularly to avoid excessive noise or spilling. The roller ring can be cleaned in warm water and mild detergent or can be placed in a dishwasher. Ensure that the roller ring and glass tray are replaced in the proper position to avoid noise or spilling.

### MAINTENANCE

To remove odors from the microwave:

1. Combine a cup of water with the juice and skin of one lemon in a microwavable bowl.
2. Microwave on full power for 5 minutes.
3. Wipe the inside of the microwave and glass tray and roller ring thoroughly with a warm, damp cloth.

### MICA SHEET

Inside the microwave there is a cardboard mica sheet protecting the magnetron. Do not remove this from the microwave as exposing the magnetron to food splatters can cause arcing or fire. If it becomes dirty, the mica sheet can be cleaned with a warm cloth.

### DISPOSAL

This product should not be treated as ordinary household waste, it should be transported to the appropriate collection point for the recycling of electrical components. For information on local waste collection points, contact your local waste disposal agency or government office.

## TROUBLESHOOTING

<b>PROBLEM</b>	<b>POSSIBLE CAUSE</b>
<b>No power</b>	<ul style="list-style-type: none"><li>• A fuse may be blown or the circuit breaker tripped</li><li>• Plug not fully inserted into the wall outlet</li></ul>
<b>Arcing or sparking during operation</b>	<ul style="list-style-type: none"><li>• Metallic items were left in the appliance during operation</li><li>• The appliance is being operated while empty</li><li>• Spilled food has built up inside the appliance or on the mica sheet</li></ul>
<b>Unevenly cooked food</b>	<ul style="list-style-type: none"><li>• Food was not completely defrosted before cooking</li><li>• Cooking time or power level were insufficient</li><li>• Food was not turned or stirred during cooking</li></ul>
<b>Overcooked food</b>	<ul style="list-style-type: none"><li>• The power level or cooking time were too high</li></ul>
<b>Undercooked food</b>	<ul style="list-style-type: none"><li>• Food was not completely defrosted before cooking</li><li>• Cooking time or power level were insufficient</li><li>• Food was not turned or stirred during cooking</li><li>• Ventilation openings are blocked</li></ul>
<b>Poor Defrosting</b>	<ul style="list-style-type: none"><li>• Defrosting time or power level were insufficient</li><li>• Food was not turned or stirred during defrosting</li></ul>

## LIMITED "CARRY IN" WARRANTY

This quality product is warranted to be free from manufacturer's defects in material and workmanship, provided that the unit is used under the normal operating conditions intended by the manufacturer.

This warranty is available only to the person to whom the unit was originally sold by Danby Products Limited (Canada) or Danby Products Inc. (U.S.A.) (hereafter "Danby") or by an authorized distributor of Danby, and is non-transferable.

### TERMS OF WARRANTY

Plastic parts are warranted for thirty (30) days from the date of purchase, with no extensions provided.

**First 18 months** During the first **eighteen (18) months**, any functional parts of this product found to be defective, will be repaired or replaced, at warrantor's option, at no charge to the original purchaser.

**To obtain service** Contact the dealer where the unit was purchased, or contact the nearest authorized Danby service depot, where service must be performed by a qualified service technician. If service is performed on the unit by anyone other than an authorized service depot, all obligations of Danby under this warranty shall be void.

It is the responsibility of the purchaser to transport the appliance to the nearest authorized service depot.

Transportation charges to and from the service location are not protected by this warranty and are the responsibility of the purchaser.

Nothing within this warranty shall imply that Danby will be responsible or liable for any spoilage or damage to food or other contents of this appliance, whether due to any defect of the appliance, or its use, whether proper or improper.

### EXCLUSIONS

Save as herein provided, by Danby, there are no other warranties, conditions, representations or guarantees, express or implied, made or intended by Danby or its authorized distributors and all other warranties, conditions, representations or guarantees, including any warranties, conditions, representations or guarantees under any Sale of Goods Act or like legislation or statute is hereby expressly excluded. Save as herein provided, **Danby shall not be responsible for any damages to persons or property, including the unit itself, howsoever caused or any consequential damages arising from the malfunction of the unit and by the purchase of the unit, the purchaser does hereby agree to indemnify and hold harmless Danby from any claim for damages to persons or property caused by the unit.**

### GENERAL PROVISIONS

No warranty or insurance herein contained or set out shall apply when damage or repair is caused by any of the following:

- 1) Power failure.
- 2) Damage in transit or when moving the appliance.
- 3) Improper power supply such as low voltage, defective house wiring or inadequate fuses.
- 4) Accident, alteration, abuse or misuse of the appliance such as inadequate air circulation in the room or abnormal operating conditions (ie. extremely high or low room temperature).
- 5) Use for commercial or industrial purposes (ie. If the appliance is not installed in a domestic residence).
- 6) Fire, water damage, theft, war, riot, hostility, acts of God such as hurricanes, floods etc.
- 7) Service calls resulting in customer education.
- 8) Improper Installation (ie. Building-in of a free standing appliance or using an appliance outdoors that is not approved for outdoor application, including but not limited to: garages, patios, porches or anywhere that is not properly insulated or climate controlled).

Proof of purchase date will be required for warranty claims; retain bills of sale. In the event that warranty service is required, present the proof of purchase to our authorized service depot.

**Warranty Service**  
Carry In

Danby Products Limited  
PO Box 1778, Guelph, Ontario, Canada N1H 6Z9  
Telephone: (519) 837-0920 FAX: (519) 837-0449

**1-800-263-2629**  
04/17

Danby Products Inc.  
PO Box 669, Findlay, Ohio, U.S.A. 45840  
Telephone: (419) 425-8627 FAX: (419) 425-8629

# Bienvenue dans la famille Danby.

Nous sommes fiers de nos produits de qualité et nous croyons en un service fiable. Nous vous suggérons de lire ce manuel du propriétaire avant de brancher votre nouvel appareil car il contient des informations de fonctionnement importantes, des informations de sécurité, des conseils de dépannage et d'entretien pour assurer la fiabilité et la longévité de votre appareil.

Vous avez droit à la couverture de la garantie décrite dans le manuel du propriétaire fourni avec votre nouvel appareil.

1. Veuillez noter ci-dessous les informations relatives à votre appareil. **Vous devez conserver la preuve d'achat originale pour valider et bénéficier des services de garantie.**
2. Enregistrez votre produit en ligne et recevez une **PROLONGATION DE GARANTIE GRATUITE DE 2 MOIS** après avoir rempli une enquête sur les produits, à l'adresse [www.danby.com/support/product-registration/](http://www.danby.com/support/product-registration/)

Numéro de modèle : \_\_\_\_\_

Numéro de série : \_\_\_\_\_

Date d'achat : \_\_\_\_\_

## Besoin d'assistance?

1. Lisez votre manuel du propriétaire pour obtenir de l'aide à l'installation, au dépannage et à la maintenance.
2. Visitez [www.Danby.com](http://www.Danby.com) pour accéder aux outils en libre-service, aux FAQ et bien plus encore en recherchant votre numéro de modèle dans la barre de recherche.
3. Pour bénéficier du **service client le plus rapide**, veuillez remplir le formulaire Web à l'adresse [www.danby.com/support](http://www.danby.com/support). Votre soumission ira directement à un expert de votre appareil particulier. Nos temps de réponse moyens sont compris entre 20 minutes et 2 heures, pendant les heures ouvrables EST.
4. Composez le **1-800-263-2629** - veuillez noter que pendant les heures de pointe, les temps d'attente peuvent dépasser une heure.



## **CONSIGNES DE SÉCURITÉ IMPORTANTES LIRE ET SUIVRE TOUTES LES INSTRUCTIONS DE SÉCURITÉ**

### **PRÉCAUTIONS POUR ÉVITER UNE POSSIBLE EXPOSITION À UNE ÉNERGIE MICRO-ONDES EXCESSIVE**

- 1. N'essayez pas de faire fonctionner ce four avec la porte ouverte car le fonctionnement de la porte ouverte peut entraîner une exposition nocive à l'énergie des micro-ondes. Il est important de ne pas forcer ou altérer les verrouillages de sécurité.**
- 2. Ne placez aucun objet entre la face avant du four et la porte et ne laissez pas de saletés ou de résidus de nettoyant s'accumuler sur les surfaces d'étanchéité.**
- 3. N'utilisez pas le four s'il est endommagé. Il est très important que la porte du four se ferme correctement et que :**
  - a) Porte (pliée),**
  - b) Charnières et loquets (cassés ou desserrés),**
  - c) les joints de porte et les surfaces d'étanchéité.**
- 4. Le four ne doit pas être réglé ou réparé par qui que ce soit, à l'exception du personnel de service dûment qualifié.**

**GARDEZ CES INSTRUCTIONS!**



## **CONSIGNES DE SÉCURITÉ IMPORTANTES LIRE ET SUIVRE TOUTES LES INSTRUCTIONS DE SÉCURITÉ**

**AVERTISSEMENT** - Pour réduire le risque de brûlures, d'électrocution, d'incendie, de blessures corporelles ou d'exposition à une énergie micro-ondes excessive :

1. Lisez toutes les instructions avant d'utiliser l'appareil.
2. Lisez et suivez les « PRÉCAUTIONS POUR ÉVITER UNE POSSIBLE EXPOSITION À UNE ÉNERGIE EXCESSIVE DES MICRO-ONDES » qui se trouvent à la page 20.
3. Cet appareil doit être mis à la terre. Connectez uniquement à une prise correctement mise à la terre. Voir « INSTRUCTIONS DE MISE À LA TERRE » à la page 24.
4. Installez ou localisez cet appareil uniquement conformément aux instructions d'installation fournies.
5. Ne faites pas fonctionner le four lorsqu'il est vide.
6. Certains produits tels que les œufs entiers et les récipients scellés - par exemple, les bocaux en verre fermés - peuvent exploser et ne doivent pas être chauffés dans ce four.
7. N'utilisez cet appareil que pour l'usage auquel il est destiné, tel que décrit dans ce manuel. N'utilisez pas de produits chimiques corrosifs ou de vapeurs dans cet appareil. Ce type de four est spécialement conçu pour chauffer, cuire ou sécher des aliments. Il n'est pas conçu pour une utilisation industrielle ou en laboratoire.
8. Comme pour tout appareil, une surveillance étroite est nécessaire lorsqu'il est utilisé par des enfants.

**GARDEZ CES INSTRUCTIONS!**



## **CONSIGNES DE SÉCURITÉ IMPORTANTES LIRE ET SUIVRE TOUTES LES INSTRUCTIONS DE SÉCURITÉ**

9. Pour réduire le risque d'incendie dans la cavité du four:
- a) Ne pas trop cuire les aliments. Surveillez attentivement l'appareil lorsque du papier, du plastique ou d'autres matériaux combustibles sont placés à l'intérieur du four pour faciliter la cuisson.
  - b) Retirez les attaches torsadées du sac en papier ou en plastique avant de placer le sac dans le four.
  - c) Si le matériau à l'intérieur du four s'enflamme, gardez la porte du four fermée, éteignez le four et débranchez le cordon d'alimentation, ou coupez l'alimentation au niveau du panneau de fusibles ou de disjoncteurs.
  - d) Ne pas utiliser la cavité à des fins de stockage. Ne laissez pas de produits en papier, d'ustensiles de cuisine ou d'aliments dans la cavité lorsqu'ils ne sont pas utilisés.
10. Les liquides tels que l'eau, le café ou le thé peuvent être surchauffés au-delà du point d'ébullition sans avoir l'air de bouillir. Un bouillonnement ou une ébullition visible lorsque le récipient est retiré du micro-ondes n'est pas toujours présent. **CELA POURRAIT FAIRE BOUILLIR SOUDAINEMENT DES LIQUIDES TRÈS CHAUDS LORSQUE LE RÉCIPENT EST PERTURBÉ OU QU'UN USTENSILE EST INSÉRÉ DANS LE LIQUIDE.**
- a) Ne pas surchauffer le liquide.
  - b) Remuer les liquides à mi-cuisson.
  - c) Ne pas utiliser de récipients à parois droites à col étroit.
  - d) Après le chauffage, laissez le récipient reposer dans le four à micro-ondes pendant une courte période avant de retirer le récipient.
11. Ne faites pas chauffer d'huile ou de graisse pour la friture. Il est difficile de contrôler la température de l'huile dans un four à micro-ondes.
12. Ne couvrez ni ne bloquez les ouvertures de l'appareil.
13. Ne stockez pas et n'utilisez pas cet appareil à l'extérieur. N'utilisez pas ce produit près de l'eau - par exemple, près d'un évier de cuisine, dans un sous-sol humide, près d'une piscine ou d'endroits similaires.

**GARDEZ CES INSTRUCTIONS!**



## CONSIGNES DE SÉCURITÉ IMPORTANTES LIRE ET SUIVRE TOUTES LES INSTRUCTIONS DE SÉCURITÉ

14. N'utilisez pas cet appareil s'il a un cordon ou une fiche endommagé, s'il ne fonctionne pas correctement ou s'il a été endommagé ou s'il est tombé.
15. Ne plongez pas le cordon ou la fiche dans l'eau. Éloignez le cordon de la surface chauffée. Ne laissez pas le cordon pendre du bord de la table ou du comptoir.
16. Lors du nettoyage des surfaces de la porte et du four qui se rejoignent lorsque la porte est fermée, utilisez uniquement des savons doux et non abrasifs ou un détergent appliqué avec une éponge ou un chiffon doux.
17. Cet équipement a été testé et déclaré conforme à la partie 18 des règles de la FCC. L'exploitation est soumise aux deux conditions suivantes :
  - 1) Cet appareil ne doit pas provoquer d'interférences nuisibles.
  - 2) Cet appareil doit accepter toute interférence reçue, y compris les interférences pouvant provoquer un fonctionnement indésirable.**ATTENTION :** Les changements ou modifications non expressément approuvés par la partie responsable de la conformité peuvent annuler le droit de l'utilisateur à utiliser le produit.
18. Cet équipement génère, utilise et peut émettre de l'énergie radiofréquence et s'il n'est pas installé et utilisé conformément aux instructions, il peut provoquer des interférences nuisibles aux communications radio. Cependant, il n'y a aucune garantie que des interférences ne se produiront pas dans une installation particulière. Si cet équipement provoque des interférences nuisibles à la réception radio ou télévision, ce qui peut être déterminé en éteignant et en rallumant l'équipement, l'utilisateur est encouragé à essayer de corriger l'interférence par une ou plusieurs des mesures suivantes :
  - Réorientez ou déplacez l'antenne de réception.
  - Augmenter la distance entre l'équipement et le récepteur.
  - Branchez l'équipement dans une prise sur un circuit différent de celui auquel le récepteur est connecté.
  - Consultez le revendeur ou un technicien radio/TV expérimenté pour obtenir de l'aide.
19. Cet appareil ne doit être réparé que par du personnel de service qualifié. Contactez le centre de service agréé le plus proche pour un examen, une réparation ou un réglage ou contactez notre centre de support client au 1-800-263-2629.

**GARDEZ CES INSTRUCTIONS!**



## CONSIGNES DE SÉCURITÉ IMPORTANTES LIRE ET SUIVRE TOUTES LES INSTRUCTIONS DE SÉCURITÉ

### INSTRUCTIONS DE MISE À LA TERRE

Cet appareil doit être mis à la terre. En cas de court-circuit électrique, la mise à la terre réduit le risque de choc électrique en fournissant un fil d'évacuation pour le courant électrique.

Cet appareil est équipé d'un cordon doté d'un fil de mise à la terre avec une fiche de mise à la terre. Le cordon d'alimentation doit être branché dans une prise correctement mise à la terre. Si la prise est une prise murale standard à 2 broches, il est de votre responsabilité de la faire remplacer par une prise murale à 3 broches correctement mise à la terre. La plaque signalétique indique la tension et la fréquence pour lesquelles l'appareil est conçu.

**ATTENTION** - Une mauvaise utilisation de la prise de terre peut entraîner un risque de choc électrique. Consultez un électricien qualifié ou un agent de service si les instructions de mise à la terre ne sont pas complètement comprises, ou s'il existe un doute quant à savoir si l'appareil est correctement mis à la terre.

Ne connectez pas votre appareil à des rallonges ou avec un autre appareil dans la même prise murale. Ne pas épisser le cordon d'alimentation. Ne coupez ni ne retirez en aucun cas la troisième broche de terre du cordon d'alimentation.

Si le cordon d'alimentation est endommagé, il doit être remplacé par le fabricant, son agent de service ou une personne qualifiée similaire afin d'éviter tout danger.

Demandez à un électricien qualifié d'installer une prise de terre à proximité de l'appareil si le cordon d'alimentation est trop court.

Un cordon d'alimentation court est fourni pour réduire les risques de s'emmêler ou de trébucher sur un cordon plus long.

Consommation d'énergie	120 V / 60 Hz, 1500 W
Sortir	1000 W
Fréquence opérationnelle	2450 MHz
Dimensions extérieures (T x P x L)	31.1 cm x 44.6 cm x 55.3 cm 12.2 in x 17.6 in x 21.8 in
Dimensions intérieures (T x P x L)	25,6 cm x 40,5 cm x 38,1 cm 10,1 po x 15,9 po x 15 po
Capacité du four	1,4 pieds cubes
Poids net	~16 kg (~35 lbs)

**GARDEZ CES INSTRUCTIONS!**



## **CONSIGNES DE SÉCURITÉ IMPORTANTES LIRE ET SUIVRE TOUTES LES INSTRUCTIONS DE SÉCURITÉ**

### **SÉCURITÉ - LIQUIDE SURCHAUFFÉ**

Les liquides peuvent être surchauffés au-delà du point d'ébullition sans sembler bouillir en raison de la tension superficielle du liquide. Des bulles visibles ne seront pas toujours présentes lorsque le liquide est retiré de l'appareil. Cela pourrait entraîner une ébullition soudaine de liquides très chauds lorsqu'un ustensile ou un autre article tel qu'un sachet de thé est inséré dans le liquide.

Pour réduire le risque de blessure :

- Ne pas surchauffer les liquides. Ne chauffez aucun liquide plus de 2 minutes par tasse.
- Remuez les liquides avant et à mi-cuisson.
- N'utilisez pas de récipients à parois droites avec des cols étroits car cela peut provoquer une accumulation de vapeur.
- Le liquide surchauffé peut commencer à bouillir spontanément lorsqu'il est retiré du micro-ondes. Après avoir chauffé, laissez le liquide reposer au micro-ondes pendant 30 secondes avant de le retirer.
- Soyez extrêmement prudent lorsque vous insérez un ustensile ou un autre objet dans des liquides chauds.

Le contenu des biberons et des petits pots pour bébés doit être agité ou secoué et la température vérifiée avant de servir afin d'éviter les brûlures.

Ne décongelez pas de boissons surgelées, en particulier les boissons gazeuses, dans cet appareil car elles pourraient exploser.

Les aliments chauds et la vapeur peuvent provoquer des brûlures. Soyez prudent lorsque vous ouvrez un récipient qui a été chauffé dans l'appareil. Dirigez l'ouverture loin des mains et du visage pour éviter les brûlures.

### **SÉCURITÉ - ARC**

Les arcs électriques font référence aux étincelles à l'intérieur du micro-ondes pendant son fonctionnement. L'arc est causé par :

- Métal ou feuille à l'intérieur de l'appareil.
- Des serviettes en papier recyclé sont utilisées à l'intérieur de l'appareil, car elles peuvent contenir de petits morceaux de métal.

S'il y a un arc électrique, arrêtez le fonctionnement et retirez tout métal ou essuie-tout de l'appareil.

**GARDEZ CES INSTRUCTIONS!**

## INSTRUCTIONS D'INSTALLATION

### INSTALLATION

- Retirez tous les matériaux d'emballage de l'intérieur et de l'extérieur de l'appareil. Ne retirez pas la feuille de mica en carton couvrant le magnétron.
- Vérifiez si l'appareil est endommagé avant de l'utiliser, comme une porte mal alignée ou pliée, des joints d'étanchéité endommagés, des charnières ou des verrous ou des verrous de la porte défectueux ou défectueux, ou des bosses à l'intérieur de la cavité ou sur la porte. En cas de dommages à l'appareil, ne l'utilisez pas, le retourner à son point de vente ou contactez le service consommateur.
- L'appareil doit être placé sur une surface plane et stable qui peut contenir son poids et la nourriture la plus lourde susceptible d'être placée dans l'appareil.
- N'utilisez pas cet appareil lorsque de la chaleur, de l'humidité ou de l'humidité élevée sont générés.
- Ne pas nettoyer cet appareil avec ou à proximité de matériaux combustibles.
- Prévoyez un espace de 30 cm (12 pouces) au-dessus de l'appareil, 7,5 cm (3 pouces) à l'arrière de l'appareil et 7,5 cm (3 pouces) des deux côtés pour permettre à l'air de circuler correctement autour de l'appareil. Ne bloquez pas les orifices de ventilation de l'appareil.
- N'utilisez pas l'appareil sans le plateau en verre, le support de rouleau et l'arbre dans la position correcte.
- Ne retirez pas les pattes.
- **AVERTISSEMENT:** N'installez pas le micro-ondes sur une table de cuisson ou un autre appareil produisant de la chaleur. S'il est installé à proximité ou au-dessus d'une source de chaleur, le micro-ondes pourrait être endommagé et la garantie annulée.

## CONSIGNES D'UTILISATION

### TECHNIQUES DE CUISSON

Pour obtenir les meilleurs résultats lors de la cuisson dans cet appareil, suivez les suggestions ci-dessous.

#### MÉLANGER

Mélanger les aliments pendant la cuisson pour répartir uniformément la chaleur. La nourriture à l'extérieur du plat absorbe plus d'énergie et chauffe plus rapidement, puis remuez de l'extérieur du plat vers le centre.

#### ARRANGEMENT

Disposez des aliments de forme inégale plus épais, des pièces plus légères vers l'extérieur du plateau tournant afin qu'ils reçoivent plus de chaleur. Pour éviter de trop cuire, placez des objets délicats vers le centre du plateau tournant.

#### COUVRANT

Les aliments délicats peuvent être protégés avec des bandes étroites de papier d'aluminium pour éviter la surcouverte. N'utilisez que de petites quantités de papier car cela peut provoquer des arcs et des dommages à l'appareil.

#### TOURNANT

Faire passer les aliments au milieu de la cuisson pour exposer toutes les pièces à l'énergie des micro-ondes. Ceci est important pour les gros objets et la viande.

#### REPOS

Les aliments cuits dans un micro-ondes augmentent la chaleur interne et continuent à cuire quelques minutes après le chauffage. Laissez reposer les aliments pour terminer la cuisson, en particulier les viandes et les liquides. Tous les liquides doivent être laissés au repos pendant quelques minutes après la cuisson et doivent être secoués ou agités avant de consommer.

#### AJOUTER L'HUMIDITÉ

L'énergie des micro-ondes est attirée par les molécules d'eau. Les aliments qui sont inégaux dans la teneur en humidité doivent être couverts et laisser reposer après la cuisson pour permettre à la chaleur de se disperser uniformément. Ajoutez une petite quantité d'eau à la nourriture sèche pour l'aider à cuire.

# CONSIGNES D'UTILISATION

## GUIDE DES USTENSILES DE CUISINE

Certains ustensiles sont inappropriés pour une utilisation dans un micro-ondes. Voir ci-dessous pour plus d'informations sur les ustensiles recommandés, qui ne devraient avoir qu'une utilisation limitée et qui ne sont pas recommandés.

### RECOMMANDÉ

**Plat de brunissement à micro-ondes:** Utilisé pour brunir l'extérieur des petits produits alimentaires. Suivez les instructions fournies avec le plat brunissant.

**Enveloppement en plastique à micro-ondes:** Utilisé pour retenir la vapeur. Laissez une petite ouverture pour éviter une accumulation de vapeur. Ne placez pas directement sur les aliments.

**Bols et plats en verre et en céramique:** Utiliser pour le chauffage ou la cuisson.

**Plaques et tasses en papier:** Utilisé pour un chauffage à court terme à basse température. Ne pas utiliser de papier recyclé car ils peuvent contenir du métal et pourraient s'enflammer.

**Serviettes en papier et serviettes de table:** Utilisé pour un chauffage et un revêtement à court terme. Ils peuvent absorber l'excès d'humidité et éviter les éclaboussures. N'utilisez pas de papier recyclé car ils peuvent contenir du métal et pourraient s'enflammer.

**Papier ciré:** Utiliser comme couverture pour éviter les éclaboussures.

**Thermomètres:** Utilisez uniquement ceux qui sont étiquetés «Va au four à micro-ondes» et suivez toutes les instructions. Vérifiez la nourriture à plusieurs endroits. Les thermomètres conventionnels peuvent être utilisés une fois que les aliments ont été retirés du micro-ondes.

## USAGE LIMITÉ

**Céramique, porcelaine et les pots de grès:** Utilisez uniquement si elles sont étiquetées «Va au four à micro-ondes».

**Plastic:** Utilisez uniquement si elles sont étiquetées «Va au four à micro-ondes».

## NON RECOMMANDÉ

**Bocaux et bouteilles en verre:** Le verre régulier est trop fin pour être utilisé dans un micro-ondes. Il peut se briser et causer des dommages ou des blessures.

**Sacs en papier:** Ce sont des risques d'incendie et peuvent s'enflammer. La seule exception concerne les sacs à popcorn, conçus pour l'utilisation des micro-ondes.

**Plaques et tasses en styromousse:** Ceux-ci peuvent fondre et laisser un résidu malsain sur les aliments.

**Récipients en plastique et pots de nourriture:** Ils peuvent fondre et s'enflammer.

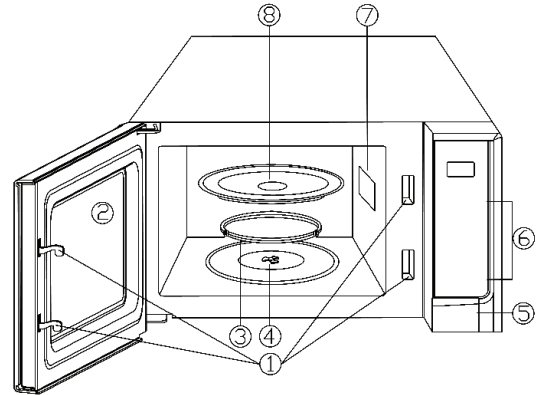
**Ustensiles en métal:** Cela peut provoquer des arcs et des dommages à l'appareil. Retirez tout le métal avant l'opération.

**Remarque:** Pour vérifier si un plat est sécurisé pour une utilisation au four micro-ondes, placez le plat vide dans l'appareil et micro-ondes en haut pendant 30 secondes. Si le plat devient très chaud, il ne doit pas être utilisé.

# CONSIGNES D'UTILISATION

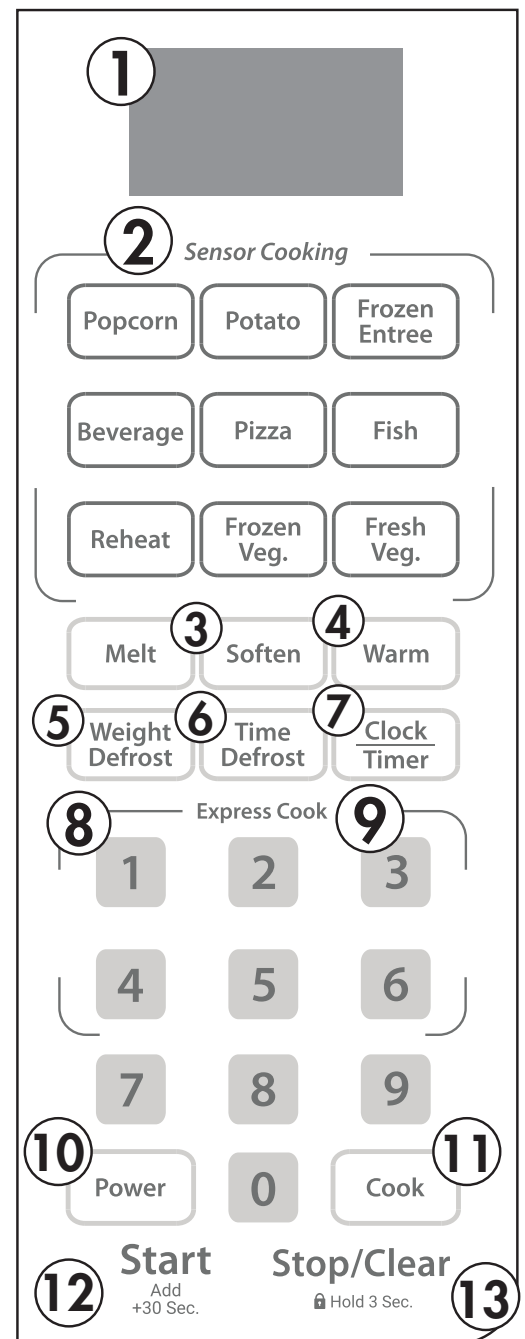
## CARACTÉRISTIQUES

1. Système de verrouillage de porte
2. Fenêtre du four
3. Anneau de rouleau
4. Arbre
5. Bouton de déverrouillage de porte
6. Panneau de commande
7. Feuille de mica (ne pas enlever)
8. Plateau en verre



## PANNEAU DE COMMANDE

1. Affichage : Affiche le temps de cuisson, le niveau de puissance et l'heure de l'horloge.
2. Cuisson par capteur : mesure l'humidité libérée par les aliments et éteint le micro-ondes lorsque la cuisson ou le réchauffage est terminé.
3. Fondre/Adoucir : Appuyez pour faire fondre ou ramollir les aliments.
4. Chaud : Appuyez pour régler le programme de réchauffement.
5. Dégivrage au poids : Permet de définir le programme de dégivrage en fonction du poids.
6. Dégivrage minuté : Permet de définir le programme de dégivrage en fonction de l'heure.
7. Horloge/Minuteur : Utilisé pour régler l'horloge et les fonctions de la minuterie.
8. Pavé numérique : utilisé pour régler l'heure ou les montants.
9. Cuisine express: Appuyez sur les numéros 1 à 6 pour définir un programme de cuisson pour ce nombre de minutes.
10. Puissance : Utilisé pour sélectionner le niveau de puissance.
11. Cuisson : Utilisé pour définir un programme de cuisson à plusieurs étapes.
12. Début/+30SEC : Permet de démarrer un programme de cuisson ou d'ajouter 30 secondes à un programme de cuisson.
13. Arrêter/Effacer : Utilisé pour mettre en pause ou effacer un programme de cuisson. Appuyez une fois pour mettre un programme en pause, appuyez deux fois pour annuler un programme. Appuyez et maintenez pendant 3 secondes pour engager le verrouillage du panneau de commande.



# CONSIGNES D'UTILISATION

## PREMIÈRE UTILISATION

Lorsque le micro-ondes est branché pour la première fois, il émet un bip et l'écran affiche « 1:01 » et « CLOCK ». Utilisez le pavé numérique pour entrer l'heure actuelle, puis appuyez sur le bouton de l'horloge pour confirmer.

Lors du réglage de la minuterie de cuisson, le four à micro-ondes revient en mode veille s'il n'y a aucune entrée dans les 25 secondes.

Pendant le fonctionnement :

- Appuyez sur le bouton début/+30SEC pour commencer l'opération.
- Appuyez une fois sur le bouton arrêter/effacer pour mettre un programme en pause et deux fois pour annuler un programme.
- Le four à micro-ondes émettra quatre bips et affichera « END » à la fin d'un programme de cuisson. Le four à micro-ondes continuera à émettre un bip toutes les deux minutes jusqu'à ce que la porte soit ouverte ou que le bouton arrêter/effacer soit enfoncé.

## RÉGLAGE DE L'HORLOGE

L'horloge peut être réglée sur 12 ou 24 heures. Appuyez et maintenez enfoncé le bouton horloge/minuterie pendant 3 secondes pour choisir une horloge de 12 heures, puis appuyez à nouveau pour choisir une horloge de 24 heures.

Pour régler l'heure actuelle :

1. Appuyez sur le bouton horloge/minuterie.
2. Utilisez le pavé numérique pour entrer l'heure actuelle.
3. Appuyez sur le bouton horloge/minuterie pour confirmer.

Pendant le fonctionnement, appuyez sur le bouton horloge/minuterie pour voir l'heure actuelle.

**Remarque :** si l'heure réglée dépasse la plage autorisée, le four à micro-ondes revient à l'état de réinitialisation après avoir appuyé sur le bouton horloge/minuterie.

## CUISSON AU MICRO-ONDES

1. Appuyez plusieurs fois sur le bouton d'alimentation pour sélectionner le niveau de puissance.
2. Utilisez le pavé numérique pour entrer le temps de cuisson souhaité. La durée maximale est de 99 minutes et 99 secondes.
3. Appuyez sur le bouton début/+30SEC pour commencer l'opération.

Appuyez sur le bouton d'alimentation	Puissance (affichage)
Une fois	100% (P-100)
Deux fois	90% (P-90)
3 fois	80% (P-80)
4 fois	70% (P-70)
5 fois	60% (P-60)
6 fois	50% (P-50)
7 fois	40% (P-40)
8 fois	30% (P-30)
9 fois	20% (P-20)
10 fois	10% (P-10)
11 fois	0% (P-00)

**Remarque :** Si « PLO » est sélectionné, le ventilateur du micro-ondes fonctionnera sans fonction de cuisson. Ce niveau de puissance peut être utilisé pour éliminer les odeurs du four.

**Remarque :** Pendant la cuisson, appuyez sur le bouton d'alimentation pour vérifier le niveau de puissance actuel.

## CONSIGNES D'UTILISATION

### CUISSON À ÉTAPES MULTIPLES

Certaines recettes nécessitent différentes étapes de cuisson à différentes températures. Pour régler un programme de cuisson en deux étapes :

1. Appuyez plusieurs fois sur le bouton d'alimentation pour choisir le niveau de puissance, puis utilisez le pavé numérique pour entrer le temps de cuisson souhaité pour la première étape. Ne démarrez pas le programme.
2. Appuyez une fois sur le bouton cuisson.
3. Appuyez plusieurs fois sur le bouton d'alimentation pour choisir le niveau de puissance, puis utilisez le pavé numérique pour entrer le temps de cuisson souhaité pour la deuxième étape.
4. Appuyez sur le bouton début/+30SEC pour commencer l'opération.

Ce four à micro-ondes peut également être réglé avec trois étapes de cuisson si la décongélation temporisée est définie comme première étape. Par exemple:

1. Appuyez sur le bouton dégivrage minuté, puis utilisez le pavé numérique pour entrer la durée de décongélation souhaitée. Ne démarrez pas le programme.
2. Appuyez une fois sur le bouton cuisson.
3. Appuyez plusieurs fois sur le bouton puissance pour choisir le niveau de puissance, puis utilisez le pavé numérique pour entrer le temps de cuisson souhaité pour la première étape de cuisson. Ne démarrez pas le programme.
4. Appuyez une fois sur le bouton cuisson.
5. Appuyez plusieurs fois sur le bouton d'alimentation pour choisir le niveau de puissance, puis utilisez le pavé numérique pour entrer le temps de cuisson souhaité pour la deuxième étape de cuisson.
6. Appuyez sur le bouton début/+30SEC pour commencer l'opération.

Pendant le fonctionnement, le four à micro-ondes se met en pause et émet un bip pour indiquer que les aliments doivent être retournés ou mélangés. Appuyez sur le bouton début/+30SEC pour reprendre le fonctionnement après agitation.

**Remarque :** la cuisson en plusieurs étapes ne peut pas être utilisée en même temps que la cuisson par capteur, la cuisson express ou la décongélation par poids.

## CONSIGNES D'UTILISATION

### CUISSON PAR CAPTEUR

La fonction de cuisson par capteur détectera l'augmentation de l'humidité libérée par les aliments à l'intérieur du four pendant la cuisson. Afin d'assurer l'effet d'induction, le four ne fera fonctionner le ventilateur que pendant 45 secondes avant la cuisson pour éliminer l'air humide à l'intérieur du four.

Les boutons de cuisson par capteur sont étiquetés pour les aliments populaires. Appuyez sur le bouton correspondant et le four commencera à fonctionner automatiquement. Pour l'option Boisson, appuyez plusieurs fois sur le bouton Boisson pour choisir la taille de la portion selon le tableau ci-dessous.

Nourriture	Échelle de poids
Mais soufflé	3.5 oz
Pomme de terre	8 ~ 32 oz
Pizza	8 ~ 20 oz
Poisson	8 ~ 20 oz
Légumes frais	8 ~ 24 oz
Boisson (200 ml/tasse)	1 tasse
	2 tasses
	3 tasses
Entrée surgelée	8 ~ 24 oz
Réchauffer	8 ~ 30 oz
Légumes surgelés	8 ~ 24 oz

Après le début du programme, l'écran affichera « CODE », « COOK », « ---- ».

Après une courte période de cuisson, le capteur d'humidité évaluera le temps de cuisson en fonction de la vapeur générée par les aliments et un compte à rebours s'affichera à l'écran.

Pendant le compte à rebours, supprimez le temps de cuisson en appuyant sur 1/LESS ou ajoutez plus de temps de cuisson en appuyant sur 3/PLUS. Chaque pression ajustera le temps de cuisson de 5 secondes.

Le programme de cuisson se terminera automatiquement ou terminera le programme en ouvrant la porte ou en appuyant sur arrêter/effacer.

## CONSIGNES D'UTILISATION

### FAIRE FONDRE

1. Appuyez plusieurs fois sur le bouton de fusion pour choisir le type d'aliment dans le tableau ci-dessous.
2. Utilisez les chiffres 1 à 3 pour saisir le poids de l'aliment. 1 - 4 onces. 2 - 8 onces. 3 - 12 onces.
3. Appuyez sur le bouton début/+30SEC pour confirmer.

Pavé numérique	Nourriture	Poids
1	Beurre	4 oz
		8 oz
		12 oz
2	Chocolat	4 oz
		8 oz
3	Fromage	8 oz
		16 oz

### ADOUCIR

1. Appuyez plusieurs fois sur le bouton ramollir pour choisir le type d'aliment dans le tableau ci-dessous.
2. Utilisez les chiffres 1 à 3 pour saisir le poids de l'aliment. 1 = 4 onces. 2 = 8 onces. 3 = 12 onces.
3. Appuyez sur le bouton début/+30SEC pour confirmer.

Pavé numérique	Nourriture	Poids
1	Beurre	4 oz
		8 oz
		12 oz
2	Crème glacée	4 oz
		8 oz
		16 oz
3	Fromage frais	4 oz
		8 oz
4	Cassonade	4 oz
		8 oz

### CHAUD

1. Appuyez sur le bouton chaud.
2. Utilisez le pavé numérique pour entrer la durée de réchauffement souhaitée. La durée maximale est de 99 minutes et 99 secondes.
3. Appuyez sur le bouton début/+30SEC pour confirmer.

### DÉGIVRAGE MINUTÉ

1. Appuyez sur le bouton dégivrage temporisé.
2. Utilisez le pavé numérique pour entrer la durée de décongélation souhaitée. La durée maximale est de 99 minutes et 99 secondes.
3. Appuyez sur le bouton début/+30SEC pour confirmer.

Pendant le fonctionnement, le four à micro-ondes s'arrêtera et émettra un bip pour indiquer que les aliments doivent être retournés ou mélangés. Appuyez sur le bouton début/+30SEC pour reprendre le fonctionnement après agitation.

### POIDS DÉGIVRAGE

Le temps de décongélation et le niveau de puissance sont ajustés automatiquement une fois le poids saisi.

1. Appuyez sur le bouton de décongélation au poids.
2. Utilisez le pavé numérique pour entrer le poids des aliments qui seront décongelés. Le poids maximum autorisé pour la viande, la volaille ou les fruits de mer est de 5 lb.
3. Appuyez sur le bouton début/+30SEC pour confirmer.

Pendant le fonctionnement, le four à micro-ondes s'arrêtera et émettra un bip pour indiquer que les aliments doivent être retournés ou mélangés. Appuyez sur le bouton début/+30SEC pour reprendre le fonctionnement après agitation.

## CONSIGNES D'UTILISATION

### MINUTEUR

Pour régler la fonction de minuterie :

1. Appuyez sur le bouton horloge/minuteur.
2. Utilisez le pavé numérique pour entrer l'heure souhaitée pour exécuter la minuterie. La durée maximale est de 99 minutes et 99 secondes.
3. Appuyez sur le bouton début/+30SEC pour lancer le fonctionnement de la minuterie.

**Remarque :** le four à micro-ondes émet un bip à la fin du programme de la minuterie. Appuyez sur le bouton horloge/minuteur à tout moment pendant le fonctionnement pour afficher le temps restant.

### CUISINE EXPRESS

Lorsque le micro-ondes ne fonctionne pas, appuyez sur la touche numérique de 1 à 6 et le micro-ondes fonctionnera entre 1 et 6 minutes à 100% de puissance de cuisson. Pendant la cuisson, appuyez sur le bouton d'alimentation pour vérifier la puissance de cuisson actuelle.

### AJOUTER 30 SECONDES

Lorsque le micro-ondes ne fonctionne pas, appuyez sur le bouton +30SEC pour faire fonctionner le micro-ondes pendant 30 secondes à un niveau de puissance de 100 %. Ce bouton peut être appuyé plusieurs fois, chaque pression ajoutera 30 secondes supplémentaires au temps de cuisson. Le temps de cuisson maximum est de 99 minutes et 99 secondes. Pendant la cuisson express et la cuisson au micro-ondes, 30 secondes supplémentaires peuvent être ajoutées au programme en appuyant sur la touche +30SEC.

### PROTECTION CONTRE L'ADHÉRENCE DES BOUTONS

Le panneau de commande comprend une fonction qui enverra une alerte si un bouton reste bloqué en position. Si un bouton est enfoncé pendant plus de 60 secondes, l'écran affichera « FAIL » et le four à micro-ondes émettra un bip. Le four à micro-ondes continuera à émettre un bip toutes les minutes jusqu'à ce que le problème soit résolu.

Vérifiez qu'aucun des boutons du panneau de commande n'est coincé. Appuyez sur le bouton arrêter/effacer. Si cela ne résout pas le problème, débranchez le micro-ondes, laissez-le reposer pendant 1 minute, puis rebranchez-le.

### VERROUILLAGE DU PANNEAU DE COMMANDE

Le verrouillage du panneau de commande empêche l'utilisation sans surveillance par des enfants.

Pour régler le verrouillage du panneau de commande, maintenez enfoncé le bouton arrêter/effacer pendant 3 secondes. Le micro-ondes émettra un bip pour indiquer que le verrouillage est activé. Lorsqu'il est verrouillé, le panneau de commande ne peut pas être utilisé.

Pour annuler le verrouillage du panneau de commande, maintenez enfoncé le bouton arrêter/effacer pendant 3 secondes. Le micro-ondes émettra un bip pour indiquer que le verrouillage a été désactivé.

### NETTOYAGE

Éteignez et débranchez le micro-ondes avant d'effectuer tout nettoyage.

L'intérieur du micro-ondes doit être nettoyé avec un chiffon chaud et humide et des détergents doux. Ne laissez pas les éclaboussures d'aliments s'accumuler à l'intérieur du micro-ondes car cela peut affecter l'efficacité du micro-ondes et, si elles sont suffisamment sales, elles peuvent s'enflammer et provoquer un incendie.

L'extérieur du micro-ondes doit être nettoyé avec un chiffon chaud et humide. Pour éviter d'endommager les composants internes, ne laissez pas d'eau s'égoutter dans les ouvertures de ventilation.

Nettoyez fréquemment la porte et la fenêtre des deux côtés, les joints de la porte et les pièces adjacentes avec un chiffon humide pour éliminer tout déversement ou éclaboussure. N'utilisez pas de nettoyeurs abrasifs.

Ne laissez pas le panneau de commande se mouiller. Si nécessaire, nettoyez le panneau de commande avec un chiffon humide, puis essuyez-le.

Le plateau en verre peut être retiré et nettoyé dans de l'eau tiède et un détergent doux ou peut être placé dans un lave-vaisselle.

L'anneau de roulement et le fond du four doivent être nettoyés régulièrement pour éviter un bruit excessif ou des déversements. L'anneau de roulement peut être nettoyé dans de l'eau tiède et un détergent doux ou peut être placé dans un lave-vaisselle. Assurez-vous que l'anneau du rouleau et le plateau en verre sont replacés dans la bonne position pour éviter le bruit ou les renversements.

### MAINTENANCE

Pour éliminer les odeurs du micro-ondes :

1. Mélanger une tasse d'eau avec le jus et la peau d'un citron dans un bol allant au micro-ondes.
2. Micro-ondes à pleine puissance pendant 5 minutes.
3. Essuyez soigneusement l'intérieur du four à micro-ondes, le plateau en verre et l'anneau du rouleau avec un chiffon chaud et humide.

### FEUILLE DE MICA

A l'intérieur du micro-ondes se trouve une feuille de mica en carton protégeant le magnétron. Ne la retirez pas du micro-ondes car l'exposition du magnétron aux éclaboussures d'aliments peut provoquer un arc électrique ou un incendie. Si elle devient sale, la feuille de mica peut être nettoyée avec un chiffon chaud.

### DISPOSITION

Ce produit ne doit pas être traité comme un déchet ménager ordinaire, il doit être transporté vers le point de collecte approprié pour le recyclage des composants électriques. Pour plus d'informations sur les points de collecte des déchets locaux, contactez votre agence locale d'élimination des déchets ou le bureau du gouvernement.

## DÉPANNAGE

<b>PROBLEM</b>	<b>POSSIBLE CAUSE</b>
<b>Aucune puissance</b>	<ul style="list-style-type: none"><li>• Un fusible peut être soufflé ou le disjoncteur a déclenché</li><li>• Branchement pas complètement inséré dans la prise murale</li></ul>
<b>Arracher ou étinceler pendant l'opération</b>	<ul style="list-style-type: none"><li>• Les articles métalliques ont été laissés dans l'appareil pendant l'opération</li><li>• L'appareil fonctionne alors qu'il est vide</li><li>• Les aliments renversés ont été construits à l'intérieur de l'appareil ou sur la feuille de mica</li></ul>
<b>Aliments cuits de façon inégale</b>	<ul style="list-style-type: none"><li>• La nourriture n'a pas été complètement décongelée avant de cuisiner</li><li>• Le temps de cuisson ou le niveau de puissance étaient insuffisants</li><li>• La nourriture n'a pas été tournée ou agitée pendant la cuisson</li></ul>
<b>Aliments trop cuit</b>	<ul style="list-style-type: none"><li>• Le niveau de puissance ou le temps de cuisson étaient trop élevés</li></ul>
<b>Aliments non cuits</b>	<ul style="list-style-type: none"><li>• La nourriture n'a pas été complètement décongelée avant de cuisiner</li><li>• Le temps de cuisson ou le niveau de puissance étaient insuffisants</li><li>• La nourriture n'a pas été tournée ou agitée pendant la cuisson</li><li>• Les ouvertures de ventilation sont bloquées</li></ul>
<b>Mauvaise décongélation</b>	<ul style="list-style-type: none"><li>• Le temps de dégivrage ou le niveau de puissance étaient insuffisants</li><li>• La nourriture n'a pas été tournée ou agitée pendant le dégivrage</li></ul>

## GARANTIE LIMITÉE « EN ATELIER »

Cet appareil de qualité est garanti exempt de tout vice de matière première et de fabrication, s'il est utilisé dans les conditions normales recommandées par le fabricant.

Cette garantie n'est offerte qu'à l'acheteur initial de l'appareil vendu par Danby Products Limited (Canada) ou Danby Products Inc. (É.-U.) (ci-après « Danby ») ou par l'un des ses distributeurs agréés et elle ne peut être transférée.

### CONDITIONS

Les pièces en plastique sont garanties pendant trente (30) jours seulement à partir de la date de l'achat, sans aucune prolongation prévue.

**Premiers 18 mois** Pendant les premiers **dix-huit (18) mois**, toutes les pièces fonctionnelles de ce produit qui s'avèrent défectueuses seront réparées ou remplacées, selon le choix du garant, sans frais à l'acheteur initial.

**Pour obtenir un service** Contactez le revendeur où l'appareil a été acheté ou contactez le dépôt de service Danby autorisé le plus proche, où le service doit être effectué par un technicien de service qualifié. Si le service est effectué sur l'appareil par une personne autre qu'un dépôt de service autorisé, toutes les obligations de Danby en vertu de cette garantie seront annulées.

Il est de la responsabilité de l'acheteur de transporter l'appareil vers le dépôt de service agréé le plus proche.

Les frais de transport entre votre domicile et le lieu de l'entretien ne sont pas couverts par la présente garantie et doivent être acquittés par l'acheteur.

Aucune partie de la garantie ne prévoit implicitement que le fabricant sera tenu responsable des dommages subis par les aliments ou d'autres types de contenu, qu'ils soient causés par la défectuosité de l'appareil ou par son usage adéquat ou inadéquat.

### EXCLUSIONS

En vertu de la présente, il n'existe aucune autre garantie, condition ou représentation, qu'elle soit exprimée ou tacite, de façon manifeste ou intentionnelle, par Danby ou ses distributeurs agréés. De même, sont exclues toutes les autres garanties, conditions ou représentations, y compris les garanties, conditions ou représentations en vertu de toute loi régissant la vente de produits ou de toute autre législation ou règlement semblable. **En vertu de la présente, Danby ne peut être tenue responsable en cas de blessures corporelles ou de dégâts matériels, y compris à l'appareil, quelle qu'en soit la cause. Danby ne peut pas être tenue responsable des dommages indirects dus au fonctionnement défectueux de l'appareil. En achetant l'appareil, l'acheteur accepte de tenir sans reproche et de dégager Danby de toute responsabilité en cas de réclamation pour toute blessure corporelle ou tout dégât matériel causé par cet appareil.**

### CONDITIONS GÉNÉRALES

La garantie ou assurance ci-dessus ne s'applique pas si les dégâts ou réparations sont dus aux cas suivants :

- 1) Panne de courant.
- 2) Dommages subis pendant le transport ou le déplacement de l'appareil.
- 3) Alimentation électrique incorrecte (tension faible, câblage défectueux, fusibles incorrects).
- 4) Accident, modification, emploi abusif ou incorrect de l'appareil tel qu'une circulation d'air inadéquate dans la pièce ou des conditions de fonctionnement anormales (température extrêmement élevée ou basse).
- 5) Utilisation dans un but commercial ou industriel (à savoir, si l'appareil n'est pas installé dans un domicile résidentiel).
- 6) Incendie, dommages causés par l'eau, le vol, la guerre, une émeute, des hostilités, ou en cas de force majeure (ouragan, inondation, etc.).
- 7) Visites d'un technicien pour expliquer le fonctionnement de l'appareil au propriétaire.
- 8) Installation inappropriée (par exemple, encastrement d'un appareil autoportant, ou utilisation extérieure d'un appareil non conçu à cet effet, y compris, mais sans s'y limiter : les garages, les patios, les porches ou ailleurs, qui ne sont pas correctement isolés ou climatisés).

La preuve de la date d'achat sera requise pour les réclamations de garantie; conserver la facture de vente. Dans le cas où un service de garantie est requis, présentez la preuve d'achat à notre dépôt de service agréé.

### Service sous garantie

En Atelier

Danby Products Limited  
PO Box 1778, Guelph, Ontario, Canada N1H 6Z9  
Téléphone : (519) 837-0920 Télécopieur : (519) 837-0449

**1-800-263-2629**  
02/18

Danby Products Inc.  
PO Box 669, Findlay, Ohio, U.S.A. 45840  
Téléphone : (419) 425-8627 Télécopieur : (419) 425-8629

# Bienvenido a la familia Danby.

Estamos orgullosos de nuestros productos de calidad y creemos en un servicio confiable. Le sugerimos que lea este manual del propietario antes de enchufar su nuevo electrodoméstico, ya que contiene información importante de funcionamiento, información de seguridad, solución de problemas y consejos de mantenimiento para garantizar la confiabilidad y longevidad de su electrodoméstico.

Tiene derecho a la cobertura de la garantía como se describe en el manual del propietario que se proporciona con su nuevo electrodoméstico.

1. Escriba la información de su aparato a continuación. **Debe conservar el comprobante de compra original para validar y recibir los servicios de garantía.**
2. Registre su producto en línea y reciba una **EXTENSIÓN DE GARANTÍA GRATUITA DE 2 MESES** después de completar una encuesta sobre el producto, en [www.danby.com/support/product-registration/](http://www.danby.com/support/product-registration/)

**Número de modelo:** \_\_\_\_\_

**Número de serie:** \_\_\_\_\_

**Fecha de compra:** \_\_\_\_\_

## Necesitas ayuda?

1. Lea el manual del propietario para obtener ayuda con la instalación, resolución de problemas y asistencia de mantenimiento.
2. Visite [www.Danby.com](http://www.Danby.com) para acceder a herramientas de autoservicio, preguntas frecuentes y mucho más buscando su número de modelo en la barra de búsqueda.
3. Para obtener el **servicio al cliente más rápido**, complete el formulario web en [www.danby.com/support](http://www.danby.com/support). Su envío irá directamente a un experto en su dispositivo en particular. Nuestros tiempos de respuesta promedio son entre 20 minutos y 2 horas, durante el horario comercial EST.
4. Llame al **1-800-263-2629**; tenga en cuenta que durante las horas pico, los tiempos de espera pueden exceder una hora.



## **INSTRUCCIONES DE SEGURIDAD IMPORTANTES LEA Y SIGA TODAS LAS INSTRUCCIONES DE SEGURIDAD**

### **PRECAUCIONES PARA EVITAR UNA POSIBLE EXPOSICIÓN A EXCESIVA ENERGÍA DE MICROONDAS**

- 1. No intente operar este horno con la puerta abierta ya que la operación con la puerta abierta puede resultar en una exposición dañina a la energía de microondas. Es importante no anular ni alterar los enclavamientos de seguridad.**
- 2. No coloque ningún objeto entre la cara frontal del horno y la puerta ni permita que se acumule suciedad o residuos de limpiadores en las superficies de sellado.**
- 3. No opere el horno si está dañado. Es muy importante que la puerta del horno se cierre correctamente y que no haya daños en:**
  - a) Puerta (doblada),**
  - b) Bisagras y pestillos (rotos o sueltos),**
  - c) sellos de puertas y superficies de sellado.**
- 4. El horno no debe ser ajustado ni reparado por nadie que no sea personal de servicio debidamente calificado.**

**¡GUARDE ESTAS INSTRUCCIONES!**



## **INSTRUCCIONES DE SEGURIDAD IMPORTANTES LEA Y SIGA TODAS LAS INSTRUCCIONES DE SEGURIDAD**

**ADVERTENCIA:** para reducir el riesgo de quemaduras, descargas eléctricas, incendios, lesiones a personas o exposición a energía de microondas excesiva:

1. Lea todas las instrucciones antes de usar el aparato.
2. Lea y siga las "PRECAUCIONES PARA EVITAR POSIBLE EXPOSICIÓN A ENERGÍA EXCESIVA DE MICROONDAS" específicas que se encuentran en la página 38.
3. Este aparato debe estar conectado a tierra. Conéctelo solo a un tomacorriente debidamente conectado a tierra. Consulte las "INSTRUCCIONES DE CONEXIÓN A TIERRA" que se encuentran en la página 42.
4. Instale o ubique este electrodoméstico solo de acuerdo con las instrucciones de instalación provistas.
5. No opere el horno cuando esté vacío.
6. Algunos productos, como huevos enteros y recipientes sellados, por ejemplo, frascos de vidrio cerrados, pueden explotar y no deben calentarse en este horno.
7. Use este electrodoméstico solo para el uso para el que fue diseñado, como se describe en este manual. No utilice productos químicos corrosivos o vapores en este aparato. Este tipo de horno está diseñado específicamente para calentar, cocinar o secar alimentos. No está diseñado para uso industrial o de laboratorio.
8. Al igual que con cualquier aparato, es necesaria una estrecha supervisión cuando lo utilicen niños.

**¡GUARDE ESTAS INSTRUCCIONES!**



## **INSTRUCCIONES DE SEGURIDAD IMPORTANTES LEA Y SIGA TODAS LAS INSTRUCCIONES DE SEGURIDAD**

9. Para reducir el riesgo de incendio en la cavidad del horno:
- a) No cocine demasiado los alimentos. Preste atención al aparato cuando se coloquen papel, plástico u otros materiales combustibles dentro del horno para facilitar la cocción.
  - b) Quite los alambres retorcidos de la bolsa de papel o plástico antes de colocar la bolsa en el horno.
  - c) Si el material dentro del horno se enciende, mantenga la puerta del horno cerrada, apague el horno y desconecte el cable de alimentación, o apague la energía en el panel de fusibles o disyuntores.
  - d) No utilice la cavidad con fines de almacenamiento. No deje productos de papel, utensilios de cocina o alimentos en la cavidad cuando no esté en uso.
10. Los líquidos, como el agua, el café o el té, pueden sobrecalentarse más allá del punto de ebullición sin que parezca que están hirviendo. No siempre hay burbujas o ebullición visibles cuando se retira el recipiente del microondas. **ESTO PODRÍA RESULTAR EN QUE LOS LÍQUIDOS MUY CALIENTES SE HIERVAN REPENTINAMENTE CUANDO EL RECIPIENTE ESTÁ MOLESTADO O SE INSERTA UN UTENSILIO EN EL LÍQUIDO.**
- a) No sobrecaliente el líquido.
  - b) Revuelva los líquidos hasta la mitad del calentamiento.
  - c) No utilice recipientes de lados rectos con cuellos estrechos.
  - d) Después de calentar, deje reposar el recipiente en el horno microondas durante un breve período antes de retirar el recipiente.
11. No caliente aceite o grasa para freír. Es difícil controlar la temperatura del aceite en un horno microondas.
12. No cubra ni bloquee ninguna abertura del aparato.
13. No almacene ni use este aparato al aire libre. No utilice este producto cerca del agua, por ejemplo, cerca de un fregadero de la cocina, en un sótano húmedo, cerca de una piscina o lugares similares.

**¡GUARDE ESTAS INSTRUCCIONES!**



## INSTRUCCIONES DE SEGURIDAD IMPORTANTES LEA Y SIGA TODAS LAS INSTRUCCIONES DE SEGURIDAD

14. No utilice este aparato si tiene un cable o enchufe dañado, si no funciona correctamente o si se ha dañado o se ha caído.
15. No sumerja el cable ni el enchufe en agua. Mantenga el cable alejado de la superficie caliente. No deje que el cable cuelgue del borde de la mesa o mostrador.
16. Cuando limpie las superficies de la puerta y el horno que se unen cuando la puerta está cerrada, use solo jabones suaves no abrasivos o detergente aplicado con una esponja o paño suave.
17. Este equipo ha sido probado y cumple con la Parte 18 de las Reglas de la FCC. El funcionamiento está sujeto a las dos condiciones siguientes:
  - 1) Este dispositivo no puede causar interferencias perjudiciales.
  - 2) Este dispositivo debe aceptar cualquier interferencia recibida, incluida la interferencia que pueda causar un funcionamiento no deseado.

**PRECAUCIÓN:** Los cambios o modificaciones no aprobados expresamente por la parte responsable del cumplimiento podrían anular la autoridad del usuario para operar el producto.
18. Este equipo genera, utiliza y puede irradiar energía de radiofrecuencia y, si no se instala y utiliza de acuerdo con las instrucciones, puede provocar interferencias perjudiciales en las comunicaciones por radio. Sin embargo, no hay garantía de que no se produzcan interferencias en una instalación en particular. Si este equipo causa interferencia dañina en la recepción de radio o televisión, lo cual se puede determinar encendiendo y apagando el equipo, se recomienda al usuario que intente corregir la interferencia mediante una o más de las siguientes medidas:
  - Reoriente o reubique la antena receptora.
  - Aumente la separación entre el equipo y el receptor.
  - Conecte el equipo a una toma de corriente en un circuito diferente al que está conectado el receptor.
  - Consulte con el distribuidor o con un técnico de radio / TV experimentado para obtener ayuda.
19. Este aparato debe ser reparado únicamente por personal de servicio calificado. Comuníquese con el centro de servicio autorizado más cercano para que lo examinen, reparen o ajusten, o comuníquese con nuestro centro de atención al cliente al 1-800-263-2629.

**¡GUARDE ESTAS INSTRUCCIONES!**



## INSTRUCCIONES DE SEGURIDAD IMPORTANTES LEA Y SIGA TODAS LAS INSTRUCCIONES DE SEGURIDAD

### INSTRUCCIONES DE PUESTA A TIERRA

Este aparato debe estar conectado a tierra. En caso de un cortocircuito eléctrico, la conexión a tierra reduce el riesgo de descarga eléctrica al proporcionar un cable de escape para la corriente eléctrica.

Este aparato está equipado con un cable que tiene un cable de conexión a tierra con un enchufe de conexión a tierra. El cable de alimentación debe estar enchufado a un tomacorriente que esté debidamente conectado a tierra. Si el tomacorriente es un tomacorriente de pared estándar de 2 clavijas, es su responsabilidad reemplazarlo por un tomacorriente de pared de 3 clavijas debidamente conectado a tierra. La placa de clasificación de serie indica el voltaje y la frecuencia para los que está diseñado el aparato.

**ADVERTENCIA** - El uso inadecuado del enchufe con conexión a tierra puede resultar en un riesgo de descarga eléctrica. Consulte a un electricista calificado o agente de servicio si las instrucciones de conexión a tierra no se comprenden completamente, o si existen dudas sobre si el aparato está conectado a tierra correctamente.

No conecte su electrodoméstico a cables de extensión ni junto con otro electrodoméstico en el mismo tomacorriente de pared. No empalme el cable de alimentación. No corte ni retire bajo ninguna circunstancia la tercera clavija de conexión a tierra del cable de alimentación.

Si el cable de alimentación está dañado, debe ser reemplazado por el fabricante, su agente de servicio o una persona calificada similar para evitar peligros.

Solicite a un electricista calificado que instale un tomacorriente con conexión a tierra cerca del electrodoméstico si el cable de alimentación es demasiado corto.

Se proporciona un cable de alimentación corto para reducir los riesgos de enredarse o tropezarse con un cable más largo.

El consumo de energía	120 V / 60 Hz, 1500 W
Producción	1000 W
Frecuencia operativa	2450 MHz
Dimensiones exteriores (A x P x A)	31.1 cm x 44.6 cm x 55.3 cm 12.2 in x 17.6 in x 21.8 in
Dimensiones interiores (A x P x A)	25,6 cm x 40,5 cm x 38,1 cm 10,1 pulg x 15,9 pulg x 15 pulg
Capacidad del horno	1.4 pie cúbico
Peso neto	~16 kg (~35 lbs)

**¡GUARDE ESTAS INSTRUCCIONES!**



## **INSTRUCCIONES DE SEGURIDAD IMPORTANTES LEA Y SIGA TODAS LAS INSTRUCCIONES DE SEGURIDAD**

### **SEGURIDAD - LÍQUIDO SOBRECALENTADO**

Los líquidos pueden sobrecalentarse más allá del punto de ebullición sin que parezca que están hirviendo debido a la tensión superficial del líquido. No siempre habrá burbujas visibles cuando se extraiga el líquido del aparato. Esto puede provocar que los líquidos muy calientes hiervan repentinamente cuando se inserta un utensilio u otro elemento, como una bolsita de té, en el líquido.

Para reducir el riesgo de lesiones:

- No sobrecaliente los líquidos. No caliente ningún líquido durante más de 2 minutos por taza.
- Revuelva los líquidos antes y a la mitad del calentamiento.
- No utilice recipientes de lados rectos con cuellos estrechos, ya que esto puede provocar la acumulación de vapor.
- El líquido sobrecalentado puede comenzar a hervir espontáneamente cuando se retira del microondas. Después de calentar, deje reposar el líquido en el microondas durante 30 segundos antes de retirarlo.
- Tenga mucho cuidado al insertar un utensilio u otro artículo en líquidos calientes.

Se debe remover o agitar el contenido de los biberones de leche y de los frascos de comida para bebés y controlar la temperatura antes de servir para evitar quemaduras.

No descongele bebidas congeladas, especialmente bebidas carbonatadas, en este aparato, ya que podrían explotar.

Los alimentos calientes y el vapor pueden provocar quemaduras. Tenga cuidado al abrir cualquier recipiente que se haya calentado en el aparato. Dirija la abertura lejos de las manos y la cara para evitar quemaduras.

### **SEGURIDAD - ARCO**

La formación de arco se refiere a las chispas dentro del microondas mientras está en funcionamiento. El arco eléctrico es causado por:

- Metal o papel de aluminio dentro del aparato.
- En el interior del aparato se utilizan toallas de papel recicladas, ya que pueden contener pequeños trozos de metal.

Si hay arcos eléctricos, detenga el funcionamiento y retire las toallas de papel o de metal del aparato.

**¡GUARDE ESTAS INSTRUCCIONES!**

## INSTRUCCIONES DE INSTALACIÓN

### INSTALACIÓN

- Retire todos los materiales de embalaje del interior y del exterior del aparato. No retire la hoja de mica de cartón que cubre el magnetrón.
- Compruebe si el aparato está dañado antes de usarlo, como una puerta desalineada o doblada, sellos dañados de la puerta, bisagras o pestillos de la puerta rotos o sueltos o abolladuras dentro de la cavidad o en la puerta. Si hay algún daño en el aparato, no lo utilice, devuélvalo a su punto de compra o póngase en contacto con el consumidor.
- El aparato debe colocarse sobre una superficie plana y estable que sea capaz de sostener su peso y el alimento más pesado que pueda ser colocado en el aparato.
- No utilice este aparato donde se genere calor, humedad o humedad elevada.
- No limpie este aparato con o cerca de materiales combustibles.
- Deje 30 cm (12 pulgadas) de espacio sobre el aparato, 7,5 cm (3 pulgadas) en la parte posterior del aparato y 7,5 cm (3 pulgadas) en ambos lados para que el aire fluya correctamente alrededor del aparato. No bloquee las aberturas de ventilación del aparato.
- No opere el aparato sin la bandeja de vidrio, el soporte del rodillo y el eje en sus posiciones correctas.
- No quite las piernas.
- **ADVERTENCIA:** No instale el microondas sobre una estufa u otro electrodoméstico que produzca calor. Si se instala cerca o encima de una fuente de calor, el microondas podría dañarse y la garantía quedaría anulada.

## INSTRUCCIONES DE OPERACIÓN

### TÉCNICAS DE COCCIÓN

Para obtener los mejores resultados al cocinar en este aparato, siga las siguientes sugerencias.

### REVOLVIENDO

Revuelva los alimentos mientras cocina para distribuir el calor uniformemente. Alimentos en el exterior de la antena absorbe más energía y se calienta más rápidamente para agitar desde el exterior del plato hacia el centro.

### ARREGLO

Organizar los alimentos de forma irregular, más gruesos, partes más caras hacia el exterior de la plataforma giratoria para que reciban más calor. Para evitar que se queme demasiado, coloque los artículos delicados hacia el centro de la mesa giratoria.

### ESCUDO

Los alimentos delicados pueden ser protegidos con tiras estrechas de papel de aluminio para evitar la cocción excesiva. Utilice sólo pequeñas cantidades de papel de aluminio ya que esto puede provocar arcos y dañar el aparato.

### TORNEADO

Convierte los alimentos a la mitad de la cocción para exponer todas las partes a la energía de microondas. Esto es importante con los artículos grandes y la carne.

### REPOSEN

Los alimentos cocinados en un microondas acumulan calor interno y continúan cocinando durante unos minutos después de que se detenga la calefacción. Deje que los alimentos reposen para completar la cocción, especialmente carnes y líquidos. Todos los líquidos deben dejarse reposar durante unos minutos después de la cocción y deben ser sacudidos o revueltos antes de consumirlos.

### AÑADIR HUMEDAD

La energía de la microonda se atrae a las moléculas de agua. Los alimentos que son desiguales en el contenido de humedad deben ser cubiertos y dejar reposar después de cocinar para permitir que el calor se dispersen uniformemente. Añadir una pequeña cantidad de agua para secar los alimentos para ayudar a cocinar.

# INSTRUCCIONES DE OPERACIÓN

## GUÍA DE UTENSILIOS DE COCINA

Ciertos utensilios son inadecuados para su uso en un microondas. Vea a continuación para más información sobre qué utensilios se recomiendan, que sólo deben tener un uso limitado y que no se recomiendan.

### RECOMENDADO

**Plato para dorar en el microondas:** Se utiliza para dorar el exterior de los alimentos pequeños. Siga las instrucciones proporcionadas con el plato de dorado.

**Envoltura de plástico para microondas:** Se utiliza para retener el vapor. Deje una pequeña abertura para evitar una acumulación de vapor. No coloque directamente sobre los alimentos.

**Tazones y platos de vidrio y cerámica:** Uso para calentar o cocinar.

**Platos y tazas de papel:** Utilice para calentar a corto plazo a bajas temperaturas. No utilice papel reciclado ya que pueden contener metal y podrían encenderse.

**Toallas de papel y servilletas:** Utilizar para calefacción y cubrimiento a corto plazo. Pueden absorber el exceso de humedad y evitar salpicaduras. No utilice toallas de papel recicladas ya que pueden contener metal y podrían encenderse.

**Papel encerado:** Utilizar como tapa para evitar salpicaduras.

**Termómetros:** Utilice solamente aquellos que están etiquetados como "seguros para microondas" y siga todas las instrucciones. Compruebe la comida en varios lugares. Los termómetros convencionales se pueden utilizar una vez que los alimentos se han retirado del microondas.

## USO LIMITADO

**Cerámica, porcelana y gres:** Úselo sólo si están etiquetados como "seguros para microondas".

**El plástico:** Utilice solamente si está marcado como "seguro para microondas".

## NO RECOMENDADO

**Tarros y botellas de vidrio:** El vidrio regular es demasiado delgado para ser utilizado en un microondas. Puede romperse y causar daños o lesiones.

**Bolsas de papel:** Estos son un peligro de incendio y podrían encenderse. La única excepción son las bolsas de palomitas de maíz, que están diseñados para uso de microondas.

**Placas y tazas de espuma de poliestireno:** Estos pueden derretirse y dejar un residuo poco saludable en los alimentos.

**Almacenamiento de plástico y contenedores de alimentos:** Estos pueden fundir y encender.

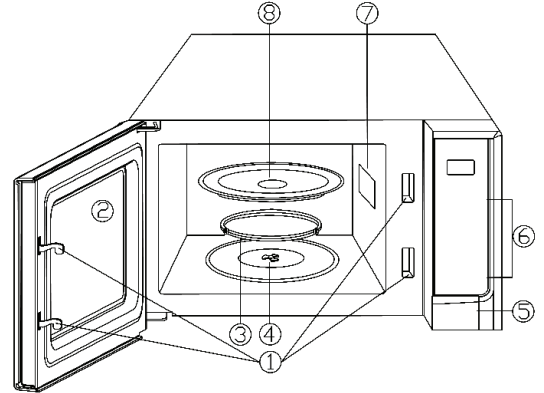
**Utensilios de metal:** Pueden producirse arcos y daños en el aparato. Retire todo el metal antes de la operación.

**Nota:** Para comprobar si un plato es seguro para su uso en el microondas, coloque el plato vacío en el aparato y el microondas en la parte alta durante 30 segundos. Si el plato se pone muy caliente, no debe utilizarse.

# INSTRUCCIONES DE OPERACIÓN

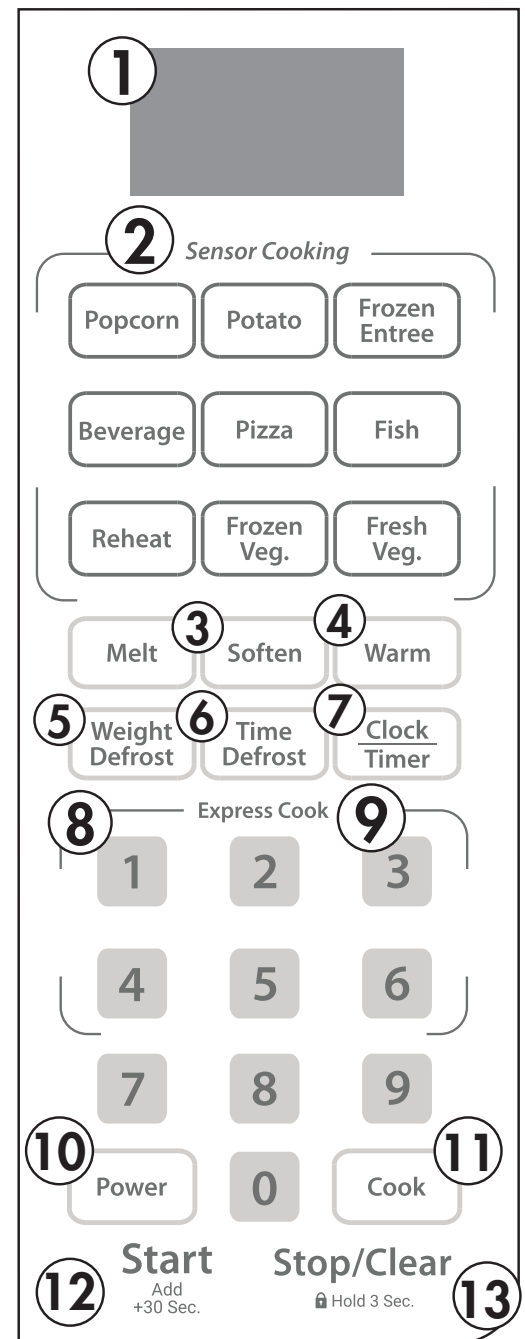
## CARACTERÍSTICAS

1. Sistema de cerradura de puerta
2. Ventana del horno
3. Anillo de rodillo
4. Eje
5. Botón de apertura de puerta
6. Panel de control
7. Hoja de mica (no quitar)
8. Bandeja de cristal



## PANEL DE CONTROL

1. Pantalla: muestra el tiempo de cocción, el nivel de potencia y la hora del reloj.
2. Cocción por sensor: Mide la humedad que libera la comida y apaga el microondas cuando se cocina o recalenta.
3. Derretir/Suavizar: presione para derretir o ablandar los alimentos.
4. Calentar: presione para configurar el programa de calentamiento.
5. Descongelación por peso: se utiliza para configurar el programa de descongelación según el peso.
6. Descongelación por tiempo: se utiliza para configurar el programa de descongelación en función del tiempo.
7. Reloj/Temporizador: se utiliza para configurar el reloj y las funciones del temporizador.
8. Teclado numérico: se utiliza para establecer el tiempo o las cantidades.
9. Cocción rápida: Presione los números del 1 al 6 para configurar un programa de cocción para esa cantidad de minutos.
10. Potencia: se utiliza para seleccionar el nivel de potencia.
11. Cocinar: se utiliza para establecer un programa de cocción de varias etapas.
12. Inicio/+ 30SEC: Se utiliza para iniciar un programa de cocción o agregar 30 segundos a un programa de cocción.
13. Detener/Borrar: se utiliza para pausar o borrar un programa de cocción. Presione una vez para pausar un programa, presione dos veces para cancelar un programa. Mantenga pulsado durante 3 segundos para activar el bloqueo del panel de control.



# INSTRUCCIONES DE OPERACIÓN

## USO POR PRIMERA VEZ

Cuando se enchufa el microondas por primera vez, sonará un pitido y la pantalla mostrará "1:01" y "CLOCK". Use el teclado numérico para ingresar la hora actual y luego presione el botón del reloj para confirmar.

Al configurar el temporizador de cocción, el microondas volverá al modo de espera si no hay entrada en 25 segundos.

Durante la operación:

- Presione el botón inicio/+ 30SEC para comenzar la operación.
- Presione el botón detener/borrar una vez para pausar un programa y dos veces para cancelar un programa.
- El microondas emitirá cuatro pitidos y mostrará "END" al final de un programa de cocción. El microondas seguirá sonando cada dos minutos hasta que se abra la puerta o se presione el botón detener/borrar.

## AJUSTE DEL RELOJ

El reloj se puede configurar como un reloj de 12 o 24 horas. Mantenga presionado el botón del reloj / temporizador durante 3 segundos para elegir un reloj de 12 horas, luego presiónelo nuevamente para elegir un reloj de 24 horas.

Para configurar la hora actual:

1. Presione el botón de reloj/temporizador.
2. Use el teclado numérico para ingresar la hora actual.
3. Presione el botón de reloj/temporizador para confirmar.

Durante el funcionamiento, presione el botón del reloj/temporizador para ver la hora actual.

Nota: Si el tiempo establecido excede el rango permitido, el microondas volverá al estado de reinicio después de presionar el botón del reloj / temporizador.

## COCCIÓN CON MICROONDAS

1. Presione el botón de encendido repetidamente para seleccionar el nivel de energía.
2. Use el teclado numérico para ingresar el tiempo de cocción deseado. El tiempo máximo es de 99 minutos y 99 segundos.
3. Presione el botón inicio/+ 30SEC para comenzar la operación.

Presione el botón de encendido	Energía (pantalla)
Una vez	100% (P-100)
Dos veces	90% (P-90)
3 veces	80% (P-80)
4 veces	70% (P-70)
5 veces	60% (P-60)
6 veces	50% (P-50)
7 veces	40% (P-40)
8 veces	30% (P-30)
9 veces	20% (P-20)
10 veces	10% (P-10)
11 veces	0% (P-00)

**Nota:** Si se selecciona "PLO", el ventilador del microondas funcionará sin función de cocción. Este nivel de potencia se puede utilizar para eliminar los olores del horno.

**Nota:** Durante la cocción, presione el botón de encendido para verificar el nivel de potencia actual.

# INSTRUCCIONES DE OPERACIÓN

## COCCIÓN MULTI ETAPAS

Algunas recetas requieren diferentes etapas de cocción a diferentes temperaturas. Para configurar un programa de cocción de dos etapas:

1. Presione el botón de encendido repetidamente para elegir el nivel de potencia y luego use el teclado numérico para ingresar el tiempo de cocción deseado para la primera etapa. No inicie el programa.
2. Presione el botón cocinar una vez.
3. Presione el botón de encendido repetidamente para elegir el nivel de potencia y luego use el teclado numérico para ingresar el tiempo de cocción deseado para la segunda etapa.
4. Presione el botón inicio/+ 30 segundos para comenzar la operación.

Este microondas también se puede configurar con tres etapas de cocción si el tiempo de descongelación se establece como la primera etapa. Por ejemplo:

1. Presione el botón tiempo de descongelación y luego use el teclado numérico para ingresar el tiempo de descongelación deseado. No inicie el programa.
2. Presione el botón cocinar una vez.
3. Presione el botón de encendido repetidamente para elegir el nivel de potencia y luego use el teclado numérico para ingresar el tiempo de cocción deseado para la primera etapa de cocción. No inicie el programa.
4. Presione el botón cocinar una vez.
5. Presione el botón de encendido repetidamente para elegir el nivel de potencia y luego use el teclado numérico para ingresar el tiempo de cocción deseado para la segunda etapa de cocción.
6. Presione el botón inicio/+ 30 segundos para comenzar la operación.

Durante el funcionamiento, el microondas se detendrá y emitirá un pitido para indicar que se debe dar la vuelta o revolver la comida. Presione el botón inicio/+ 30SEC para reanudar la operación después de agitar.

**Nota:** La cocción de varias etapas no se puede utilizar al mismo tiempo que la cocción con sensor, la cocción rápida o el descongelamiento por peso.

# INSTRUCCIONES DE OPERACIÓN

## COCCIÓN POR SENSOR

La función de cocción con sensor detectará el aumento de la humedad liberada de los alimentos dentro del horno durante la cocción. Para garantizar el efecto de inducción, el horno hará funcionar el ventilador solo durante 45 segundos antes de cocinar para eliminar el aire húmedo dentro del horno.

Los botones de cocción del sensor están etiquetados para alimentos populares. Presione el botón correspondiente y el horno comenzará a funcionar automáticamente. Para la opción bebida, presione el botón Bebida repetidamente para elegir el tamaño de la porción según la tabla a continuación.

Comida	Rango de peso
Palomitas de maiz	3.5 oz
Patata	8 ~ 32 oz
Pizza	8 ~ 20 oz
Pez	8 ~ 20 oz
Vegetales frescos	8 ~ 24 oz
Bebida (200 ml / taza)	1 taza
	2 tazas
	3 tazas
Entrada congelada	8 ~ 24 oz
Recalentar	8 ~ 30 oz
Vegetales congelados	8 ~ 24 oz

Después de que comience el programa, la pantalla mostrará "CODIGO", "COCINAR", "----".

Después de cocinar por un período corto de tiempo, el sensor de humedad juzgará el tiempo de cocción basándose en el vapor generado por los alimentos y se mostrará una cuenta regresiva en la pantalla.

Durante la cuenta regresiva, elimine el tiempo de cocción presionando 1/MENOS o agregue más tiempo de cocción presionando 3/MÁS. Cada pulsación ajustará el tiempo de cocción en 5 segundos.

El programa de cocción terminará automáticamente o finalizará el programa abriendo la puerta o presionando detener/borrar.

# INSTRUCCIONES DE OPERACIÓN

## DERRETIR

1. Presione el botón derretir repetidamente para elegir el tipo de alimento en la tabla a continuación.
2. Use los números 1-3 para ingresar el peso de los alimentos. 1 - 4 oz. 2 - 8 oz. 3 - 12 oz.
3. Presione el botón inicio/+ 30SEC para confirmar.

Teclado numérico	Comida	Peso
1	Manteca	4 oz
		8 oz
		12 oz
2	Chocolate	4 oz
		8 oz
3	Queso	8 oz
		16 oz

## ABLANDAR

1. Presione el botón suavizar repetidamente para elegir el tipo de alimento en la tabla a continuación.
2. Use los números 1-3 para ingresar el peso de los alimentos. 1 = 4 oz. 2 = 8 oz. 3 = 12 oz.
3. Presione el botón inicio/+ 30SEC para confirmar.

Teclado numérico	Comida	Peso
1	Manteca	4 oz
		8 oz
		12 oz
2	Helado	4 oz
		8 oz
		16 oz
3	Queso crema	4 oz
		8 oz
4	Azúcar morena	4 oz
		8 oz

## CALENTAR

1. Presione el botón calentar.
2. Use el teclado numérico para ingresar el tiempo de calentamiento deseado. El tiempo máximo es de 99 minutos y 99 segundos.
3. Presione el botón inicio/+ 30SEC para confirmar.

## DESCONGELACIÓN POR TIEMPO

1. Presione el botón descongelar por tiempo.
2. Use el teclado numérico para ingresar el tiempo de descongelación deseado. El tiempo máximo es de 99 minutos y 99 segundos.
3. Presione el botón inicio/+ 30SEC para confirmar.

Durante el funcionamiento, el microondas se detendrá y emitirá un pitido para indicar que se debe dar la vuelta o revolver la comida. Presione el botón inicio/+ 30SEC para reanudar la operación después de agitar.

## DESCONGELAMIENTO POR PESO

El tiempo de descongelación y el nivel de potencia se ajustan automáticamente una vez que se ingresa el peso.

1. Presione el botón descongelamiento por peso
2. Use el teclado numérico para ingresar el peso de los alimentos que se descongelarán. El peso máximo permitido para carnes, aves o mariscos es de 5 libras.
3. Presione el botón inicio/+ 30SEC para confirmar.

Durante el funcionamiento, el microondas se detendrá y emitirá un pitido para indicar que se debe dar la vuelta o revolver la comida. Presione el botón inicio/+ 30SEC para reanudar la operación después de agitar.

# INSTRUCCIONES DE OPERACIÓN

## TEMPORIZADOR

Para configurar la función del temporizador:

1. Presione el botón reloj/temporizador.
2. Use el teclado numérico para ingresar el tiempo deseado para ejecutar el temporizador. El tiempo máximo es de 99 minutos y 99 segundos.
3. Presione el botón inicio/+ 30SEC para comenzar la operación del temporizador.

**Nota:** El microondas emitirá un pitido al final del programa del temporizador. Presione el botón del reloj / temporizador en cualquier momento durante la operación para ver el tiempo restante.

## COCCIÓN EXPRESA

Cuando el microondas no esté en funcionamiento, presione el teclado numérico del 1 al 6 y el microondas funcionará entre 1 y 6 minutos al 100% de potencia de cocción. Durante la cocción, presione el botón de encendido para verificar la potencia de cocción actual.

## AÑADIR 30 SEGUNDOS

Cuando el microondas no está en funcionamiento, al presionar el botón +30SEC, el microondas funcionará durante 30 segundos al 100% del nivel de potencia. Este botón se puede presionar varias veces, cada presión agregará 30 segundos más al tiempo de cocción. El tiempo máximo de cocción es de 99 minutos y 99 segundos. Durante la cocción rápida y la cocción por microondas, se pueden agregar 30 segundos adicionales al programa presionando el botón +30SEC.

## PROTECCIÓN DE ADHESIÓN DE BOTONES

El panel de control incluye una función que enviará una alerta si un botón se atasca en su posición. Si se presiona cualquier botón durante más de 60 segundos, la pantalla mostrará "FAIL" y el microondas emitirá un pitido. El microondas seguirá emitiendo pitidos cada minuto hasta que se resuelva el problema.

Compruebe que ninguno de los botones del panel de control esté atascado. Presione el botón detener/borrar. Si esto no resuelve el problema, desenchufe el microondas, déjelo reposar durante 1 minuto y luego vuelva a enchufarlo.

## BLOQUEO DEL PANEL DE CONTROL

El bloqueo del panel de control evita que los niños lo utilicen sin supervisión.

Para configurar el bloqueo del panel de control, mantenga presionado el botón detener/borrar durante 3 segundos. El microondas emitirá un pitido para indicar que el bloqueo está activado. Mientras está bloqueado, el panel de control no se puede utilizar.

Para cancelar el bloqueo del panel de control, mantenga presionado el botón detener/borrar durante 3 segundos. El microondas emitirá un pitido para indicar que el bloqueo se ha desactivado.

## CUIDADO Y MANTENIMIENTO

### LIMPIEZA

Apague y desenchufe el microondas antes de realizar cualquier limpieza.

El interior del microondas debe limpiarse con un paño húmedo y tibio y detergentes suaves. No permita que se acumulen salpicaduras de alimentos en el interior del microondas, ya que esto puede afectar la eficiencia del microondas y, si está lo suficientemente sucio, puede encenderse y provocar un incendio.

El exterior del microondas debe limpiarse con un paño húmedo y tibio. Para evitar daños a los componentes internos, no permita que gotee agua por las aberturas de ventilación.

Limpie la puerta y la ventana en ambos lados, los sellos de la puerta y las partes adyacentes con frecuencia con un paño húmedo para eliminar cualquier derrame o salpicadura. No utilice limpiadores abrasivos.

No permita que el panel de control se moje. Si es necesario, limpie el panel de control con un paño húmedo y luego séquelo.

La bandeja de vidrio se puede quitar y limpiar con agua tibia y un detergente suave o se puede colocar en un lavavajillas.

El aro giratorio y el piso del horno deben limpiarse con regularidad para evitar derrames o ruidos excesivos. El anillo giratorio se puede limpiar con agua tibia y un detergente suave o se puede colocar en un lavavajillas. Asegúrese de que el anillo giratorio y la bandeja de vidrio se vuelvan a colocar en la posición adecuada para evitar ruidos o derrames.

### MANTENIMIENTO

Para eliminar los olores del microondas:

1. Combine una taza de agua con el jugo y la piel de un limón en un recipiente apto para microondas.
2. Cocine en el microondas a máxima potencia durante 5 minutos.
3. Limpie bien el interior del microondas, la bandeja de vidrio y el anillo giratorio con un paño húmedo y tibio.

### HOJA MICA

Dentro del microondas hay una hoja de cartón de mica que protege el magnetrón. No lo saque del microondas, ya que exponer el magnetrón a salpicaduras de alimentos puede provocar un arco eléctrico o un incendio. Si se ensucia, la hoja de mica se puede limpiar con un paño tibio.

### DISPOSICIÓN

Este producto no debe tratarse como un residuo doméstico ordinario, debe transportarse al punto de recolección apropiado para el reciclaje de componentes eléctricos. Para obtener información sobre los puntos de recolección de desechos locales, comuníquese con su agencia local de eliminación de desechos o con la oficina gubernamental.

## SOLUCIÓN SUGERIDA

PROBLEM	POSSIBLE CAUSE
<b>Ninguna energía</b>	<ul style="list-style-type: none"><li>• Se puede quemar un fusible o disparar el disyuntor</li><li>• El enchufe no está completamente insertado en la toma de corriente</li></ul>
<b>Arco o chispas durante la operación</b>	<ul style="list-style-type: none"><li>• Se dejaron artículos metálicos en el aparato durante el funcionamiento</li><li>• El aparato está funcionando mientras está vacío</li><li>• Los alimentos derramados se han acumulado dentro del aparato o en la hoja de mica</li></ul>
<b>Alimentos cocinados de forma pareja</b>	<ul style="list-style-type: none"><li>• La comida no estaba completamente descongelada antes de cocinar</li><li>• El tiempo de cocción o el nivel de potencia eran insuficientes</li><li>• La comida no se dio vuelta o se removió durante la cocción</li></ul>
<b>Alimentos sobrecocidos</b>	<ul style="list-style-type: none"><li>• El nivel de potencia o el tiempo de cocción fueron demasiado altos</li></ul>
<b>Alimentos poco cocidos</b>	<ul style="list-style-type: none"><li>• La comida no estaba completamente descongelada antes de cocinar</li><li>• El tiempo de cocción o el nivel de potencia eran insuficientes</li><li>• La comida no se dio vuelta o se removió durante la cocción</li><li>• Las aberturas de ventilación están bloqueadas</li></ul>
<b>Encasa descongelación</b>	<ul style="list-style-type: none"><li>• El tiempo de descongelación o el nivel de potencia eran insuficientes</li><li>• Los alimentos no se revolviaron o revolviaron durante la descongelación</li></ul>

## GARANTÍA LIMITADA "ACARREADO SOLAMENTE"

Este producto de calidad está garantizado contra defectos de fabricación, incluyendo partes y mano de obra, siempre y cuando la unidad se utilice bajo las condiciones normales de funcionamiento para las que fue diseñado.

Esta garantía está solamente disponible para la persona que haya comprado originalmente esta unidad directamente de Danby Products Limited (Canada) o Danby Products Inc. (U.S.A.) (en adelante "Danby") o uno de sus distribuidores autorizados, y no es transferible.

### CONDICIONES DE LA GARANTÍA

Las piezas plásticas, se autorizan por treinta (30) días solamente a partir de la fecha de la compra, sin las extensiones proporcionadas.

**Primeros 18 meses** Durante los primeros **dieciocho (18) meses**, cualquier parte en buen estado de este producto que resulte defectuosa, incluyendo cualquier sistema sellado, será reparado o reemplazado, a opción del fabricante, sin cargo para el comprador original.

**Para obtener servicio** Póngase en contacto con el distribuidor donde adquirió el electrodoméstico o póngase en contacto con el centro de servicio autorizado más cercano de Danby, donde el servicio debe ser realizado por un técnico cualificado. Si el servicio es realizado por cualquier persona que no sea un depósito de servicio autorizado, todas las obligaciones de Danby bajo esta garantía serán nulas.

Es responsabilidad del comprador transportar el aparato al centro de servicio autorizado más cercano.

Los cargos de transporte desde y hacia el lugar de servicio no están protegidos por esta garantía y son responsabilidad del comprador.

Nada dentro de esta garantía implica que Danby será responsable por cualquier daño que hayan sufrido los alimentos u otros contenidos de este aparato, ya sea debido a un defecto del aparato, o su uso, adecuado o inadecuado.

### EXCLUSIONES

Salvo lo aquí indicado por Danby, no existen otras garantías, condiciones o representaciones, explícitas o implícitas, concretas o intencionales por parte de Danby o sus distribuidores autorizados y todas las demás garantías, condiciones o representaciones, incluyendo cualquier garantía, condiciones o representaciones bajo cualquier Acta de Venta de Productos o legislación o estatuto similar, quedan de esta forma expresamente excluidas. **Salvo lo aquí indicado, Danby no serán responsables por ningún daño a personas o bienes, incluyendo la propia unidad, sin importar su causa, o de ningún daño indirecto causado por el desperfecto de la unidad, y al comprar esta unidad, el comprador acepta por la presente, indemnizar y proteger a Danby contra cualquier reclamo por daños a personas o bienes causados por la unidad.**

### CONDICIONES GENERALES

No se considerará ninguna de estas garantías o seguros cuando el daño o la necesidad de reparación sea el producto de los siguientes casos:

- 1) Falla del suministro eléctrico.
- 2) Daños en tránsito o durante el transporte de la unidad.
- 3) Alimentación incorrecta, como bajo voltaje, instalación eléctrica defectuosa o fusibles inadecuados.
- 4) Accidente, modificación, abuso o uso incorrecto del artefacto, tal como insuficiente ventilación del ambiente o condiciones de operación anormales (temperatura ambiente extremadamente alta o baja).
- 5) Utilización comercial o industrial (v.g., si el electrodoméstico no está instalado en una vivienda particular).
- 6) Incendio, daños por agua, robo, guerra, disturbios, hostilidades, actos de fuerza mayor como huracanes, inundaciones, etc.
- 7) Pedidos de servicio debido a desinformación del usuario.
- 8) Instalación inadecuada (v.g., instalación de un electrodoméstico independiente o uso de un aparato al aire libre que no esté aprobado para aplicaciones en exteriores, incluyendo pero no limitado a: garajes, patios, porches o cualquier lugar que no esté bien aislado o controlado por el clima).

Se requerirá una prueba de la fecha de compra para reclamaciones de garantía; conservar las facturas de venta. En el caso de que se requiera servicio de garantía, presente el comprobante de compra a nuestro depósito de servicio autorizado.

**Servicio de Garantía**  
Acarreado Solamente

Danby Products Limited  
PO Box 1778, Guelph, Ontario, Canada N1H 6Z9  
Telephone: (519) 837-0920 FAX: (519) 837-0449

**1-800-263-2629**  
04/17

Danby Products Inc.  
PO Box 669, Findlay, Ohio, U.S.A. 45840  
Telephone: (419) 425-8627 FAX: (419) 425-8629

DANBY PRODUCTS LIMITED, ONTARIO, CANADA N1H 6Z9  
DANBY PRODUCTS INC., FINDLAY, OHIO, USA 45840

\*Trademarks of Danby Products Limited and/or its subsidiaries  
\* Marques de commerce de Danby Products Limited et / ou de ses filiales  
\* Marcas comerciales de Danby Products Limited y / o sus subsidiarias

Printed in China  
Imprimé en Chine  
Impreso en China

