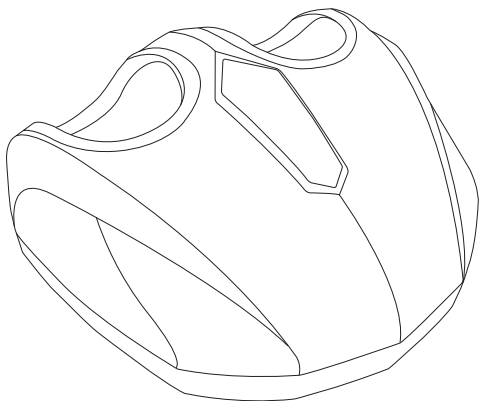


M I K O

Y2 FOOT MASSAGER

User Manual



MMF-01C
MMF-01S

Important safety instruction

When using an electrical appliance, basic precautions should always be followed. Read all the instructions before using your Y2 foot massager.

DANGER

To reduce the risk of electric shock, always unplug this appliance from the electrical outlet immediately after use and before cleaning the appliance.

WARNING

To reduce the risk of burns, fire, electric shock, or injury to persons:

- 1.** An appliance should never be left unattended when plugged in. Unplug from outlet when not in use, and before putting on or taking off parts.
- 2.** Do not operate under a blanket or pillow. Excessive heating can occur and cause fire, electric shock, or injury to persons.
- 3.** Close supervision is necessary when this appliance is used by, or near children, invalids, or disabled persons.
- 4.** Use this appliance only for its intended use as described in this manual. Do not use attachments which are not recommended by the MIKO.
- 5.** Never operate this appliance if it has a damaged cord or plug if it is not working properly, if it has been dropped or damaged, or dropped into water. Return the appliance to MIKO service center for examination and repair.
- 6.** Do not carry this appliance by cord or use cord as a handle.
- 7.** Keep the cord away from heated surfaces.
- 8.** Never operate the appliance with the air openings blocked. Keep the air openings free from lint, hair, etc.
- 9.** People who are heat-sensitive should pay attention to the unit when the surface of the unit becomes hot.
- 10.** Never drop or insert any object into any opening.
- 11.** Do not use outdoors.
- 12.** Do not operate where aerosol (spray) products are being used or where oxygen is being administered.
- 13.** To disconnect, turn all controls to the off position, then remove plug from outlet.

If you have a medical condition like diabetes, suffer from blood clots, recently had surgery and/or are pregnant, consult your doctor before using the unit.

- **Do not** use the massager for any purpose other than massage.
- **Keep out** of reach of children.
- **Do not** use the massager if some parts are missing.
- **Do not** insert any metal objects inside the massager. This may result in electric shock
- **Do not** stand inside the unit and apply excessive pressure to the massager. This may significantly slow down or stop the motor, causing the unit to overheat.
- **Do not** fall asleep using the massager.
- **Do not** cover the massager during operation, this may result in overheating of the unit.
- **Do not** unplug the massager from the electrical outlet during operation. This may result in injury. Turn off the unit from the control panel first, then unplug it from the outlet.
- Due to risk of electric shock do not place wet legs and feet inside the unit.
- **Do not** use the massager in the bathroom where you might come in contact with water.
- Prior to use make sure that your voltage corresponds with the voltage of the massager.
- **Do not** pull on the power cord when disconnecting from the electrical outlet, hold the plug when disconnecting.
- Due to risk of electric shock, do not handle the plug and cord with wet hands.
- **Do not** wrap cord around the unit as it may damage the cord and result in electric shock or fire.
- **Do not** place power cord under the massager or any heavy object.
- **Do not** operate the massager with a damaged cord, do not try to fix it yourself. Contact MIKO for repair.
- If you experience any discomfort while using the massager, press the “Power button” to turn the unit off.
- Some users may experience foot itching during and after the massage. This happens as a result of improved blood circulation and is ok.

**WARNING:**

Connect this appliance to a properly grounded outlet only. See Grounding Instructions. STOP USING THE MASSAGER and turn the unit off from the control panel first, then from the electrical outlet.

Immediately discontinue use if any of the following occurs:

- If you experience severe or abnormal pain during the massage. Please consult a doctor.
- If water was accidentally spilled on the massager. This may cause electrical shock.
- If you detect any malfunction during operation.
- If there is a power failure. Injury may occur when the power will be restored unexpectedly.
- If there is lightning.

Save these instructions

FOR HOUSEHOLD USE ONLY

- Do not attempt to repair the appliance, contact MIKO service center.
- A short power supply cord is provided to reduce the hazards resulting from entanglement or trapping over the long cord.
- Do not use extension cord as it can be pulled on by children causing the unit to tip over.

GROUNDING INSTRUCTIONS

This product must be grounded. If it should malfunction or break down, grounding provides a path of least resistance for electric current to reduce the risk of electric shock. This product is equipped with a cord having an equipment grounding conductor and a grounding plug. The plug must be plugged into an appropriate outlet that is properly installed and grounded in accordance with all local codes and ordinances.

Introduction

- Massages your feet with pressure and heating to help relax
- Works on the pressure points in your feet to relieve tightness and soothe tired feet
- Ergonomically sleek appearance, light and portable
- With washable cloth cover



Kneading



Massaging



Heat

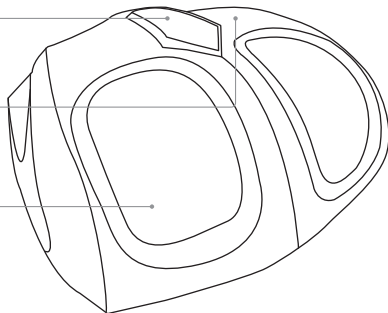


Air Pressure

Control panel

Magnetic area for
remote control

Removable and
washable cloth cover



Includes

Adaptor x1

Wireless remote x2

Control Panel

(1) Heat

(2) Massage Mode

(3) Foot Rollers / Air Pressure

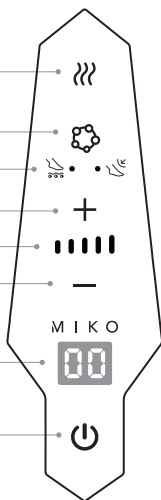
(4) Increase Pressure

(5) Massage Mode Indicator

(6) Decrease Pressure

(7) LCD Display

(8) Power



Wireless remote

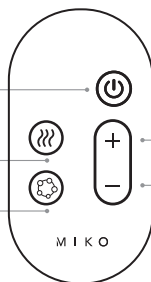
(1) Power

(2) Heat

(3) Massage Mode

(4) Increase Pressure

(5) Decrease Pressure



How to Operate Y2

Please read all user instructions prior to operating your Y2 massager.

IMPORTANT Do not stand inside the unit or apply excessive pressure to the massager. This may significantly slow down or stop the motor, causing the unit to overheat.

1. Connect the adapter to the massager, then plug into the wall outlet.
There is a “beep” sound to indicate that the massager is ready for use.
2. Choose a comfortable chair of equal height. Place your legs into the slots and relax.
3. Press the power button to turn the massager on. The unit will beep one time and start with L1(Pressure level 1) and the Heat Mode on.
The LCD will start a 15-minute countdown.
4. There are a total 5 pressure levels. L1 is the lowest and L5 is the highest.
Press the + button to increase the massage intensity and press the - button to decrease the massage intensity.
5. You will feel the air pressure increasing and then releasing during the duration of the massage. For optimal massage experience, you will feel the change of direction and type of massage. During the massage, feel free to change levels by pressing + and - buttons according to your comfort level.
6. The heat will gently rise up to the perfect temperature in a few minutes. You can turn the heat off any time by pressing the Heat Mode button.
7. Press on the power button to turn the massager off at any time.
The next time you turn it back on, it will start a new 15-minute massage session with L1 and heat on.
8. Unplug the unit when done using the massager.

Care and Storage

- Before cleaning, always make sure to turn off the unit first, then unplug from the electrical outlet.
- Do not use any abrasive cleaners when cleaning the unit.
- Use a dry cloth when cleaning the massager. Never use the damp cloth to clean the control panel and massager unit.
- When not in use for a long time, store the massager in a dust and moisture free environment with the cord coiled. Do not wrap the cord around the unit.
- Do not leave the unit under direct sunlight for an extended period of time.
- Do not store the massager unit near the heat source.
- If the massager unit malfunctions or breaks down, never try to repair it yourself, contact MIKO service center.



M I K O

For all comments, questions or complaints reach out to us:

hello@shopmiko.com

www.shopmiko.com

+1-866-201-9816

