

OPERATOR'S MANUAL MANUAL DEL USUARIO

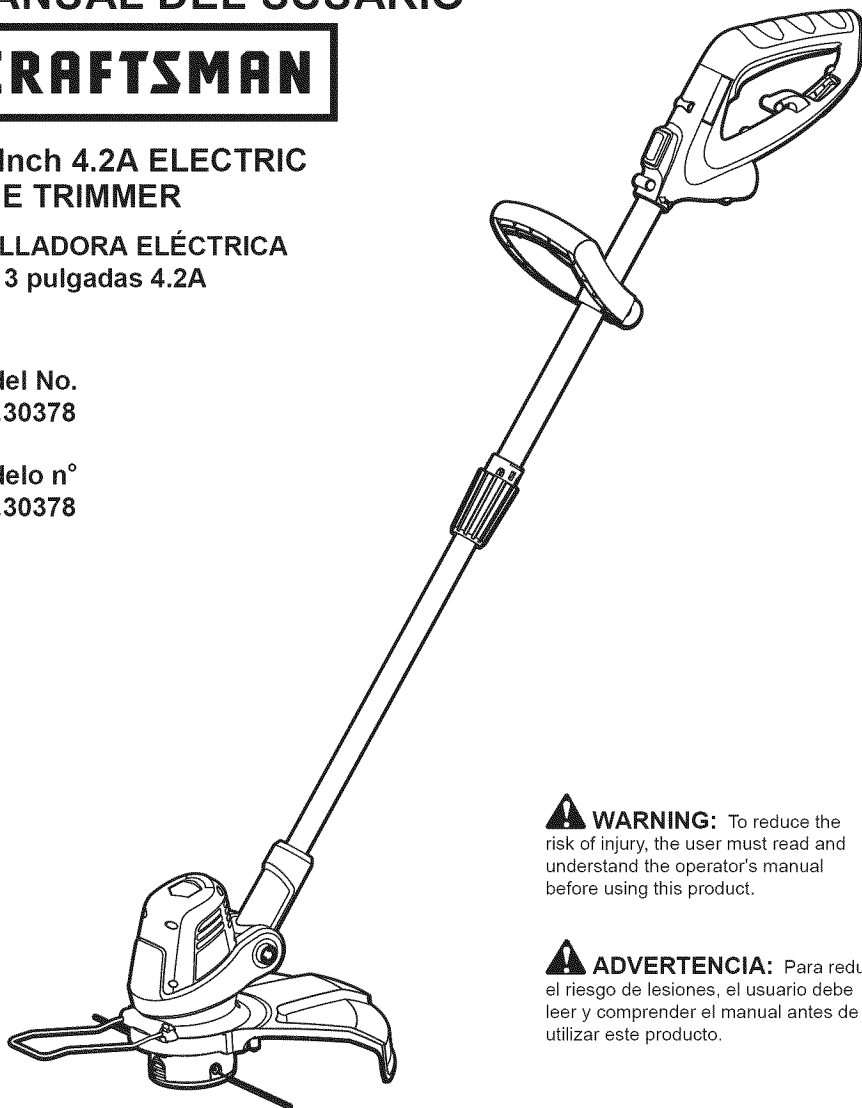
CRAFTSMAN

13-Inch 4.2A ELECTRIC
LINE TRIMMER

ORILLADORA ELÉCTRICA
de 13 pulgadas 4.2A

Model No.
151.30378

Modelo n°
151.30378



WARNING: To reduce the risk of injury, the user must read and understand the operator's manual before using this product.

ADVERTENCIA: Para reducir el riesgo de lesiones, el usuario debe leer y comprender el manual antes de utilizar este producto.

Sears Brands Management Corporation, Hoffman Estates, IL 60179 USA
Visit the Craftsman web page: www.craftsman.com
Visite el sitio Web de Craftsman: www.craftsman.com

Save this manual for future reference
Conserve este manual para futura referencia



TABLE OF CONTENTS / TABLA DE CONTENIDOS

ENGLISH

■ Warranty	2
■ Introduction.....	2
■ Important safety instructions	3-4
■ Symbols.....	5-6
■ Features	7
■ Electrical information.....	8
■ Assembly.....	9
■ Operation.....	10
■ Care and maintenance.....	11
■ Troubleshooting.....	12
■ Illustrated parts list	13-14

SPANISH

■ Garantía	Sección de Inglés pág. 2
■ Introducción.....	Sección de Inglés pág. 2
■ Importantes instrucciones de seguridad.....	3-4
■ Símbolos	5-6
■ Características	7
■ Información eléctrica.....	8
■ Armado	9
■ Funcionamiento.....	10
■ Cuidado y mantenimiento.....	11
■ Resolución de problemas.....	12
■ Lista de piezas, ilustrada.....	13-14
■ Figura numeras (ilustraciones).....	i-iv

CRAFTSMAN LIMITED WARRANTY

FOR 2 YEARS from the date of sale, this product is warranted against defects in material or workmanship.

WITH PROOF OF SALE, a defective product will be replaced free of charge.

For warranty coverage details to obtain free replacement, visit the web page: www.craftsman.com/warranty

This warranty does not cover the spool of trimmer line or trimmer head spool cover, which are expendable parts that can wear out from normal use within the warranty period.

This warranty is void if this product is ever used while providing commercial services or if rented to another person.

This warranty gives you specific legal rights, and you may also have other rights which vary from state to state.

Sears Brands Management Corporation, Hoffman Estates, IL 60179

* * *

GARANTÍA LIMITADA CRAFTSMAN

DURANTE 2 AÑOS a contar de la fecha de venta, este producto está garantizado contra defectos en sus materiales o fabricación.

Un producto defectuoso puede reemplazarse por uno nuevo, de manera gratuita, considerando que se presente una PRUEBA DE VENTA.

Para conocer la cobertura de la garantía y obtener un reemplazo gratuito, visite el sitio Web www.craftsman.com/warranty

Esta garantía no cubre el carrete del hilo de la orilladora ni la tapa del cabezal del carrete, las cuales son piezas desechables que pueden desgastarse debido al uso normal dentro del periodo de garantía.

La garantía de un año se anula si el producto se usa para proporcionar servicios comerciales o si se le arrienda a otra persona.

Esta garantía le entrega derechos legales específicos que pueden variar según su estado (podría tener otros derechos adicionales).

Sears Brands Management Corporation, Hoffman Estates, IL 60179

INTRODUCTION / INTRODUCCIÓN


This tool has many features for making its use more pleasant and enjoyable. Safety, performance, and dependability have been given top priority in the design of this product making it easy to maintain and operate.

* * *

Esta herramienta tiene muchas funciones para hacerla más agradable y cómoda de usar. Se ha dado máxima prioridad a la seguridad, rendimiento y confiabilidad en las etapas de diseño de este producto para que sea fácil de utilizar y mantener.

IMPORTANT SAFETY INSTRUCTIONS

IMPORTANT SAFETY INSTRUCTIONS

 **IMPORTANT!** When using electric gardening appliance, basic safety precautions should always be followed to reduce the risk of fire, electric shock and personal injury. For your own safety and bystanders please read these instructions before operating the line trimmer. Do not use the line trimmer without reading the instruction sheet. Please keep the instructions safe for later use.

READ ALL INSTRUCTIONS

- This line trimmer is designed for cutting grass and similar soft vegetation and for trimming grass edges in private and hobby garden areas which are not accessible with a line trimmer.
- The device is not allowed to be used in public gardens, parks, sports centers or at roadsides as well as in agriculture and forestry.
- This line trimmer is not allowed to be used for cutting or chopping, otherwise, there is a risk of injury:
 - Hedges, shrubs and bushes,
 - Flowers,
 - In terms of composting.
- This line trimmer is not intended for use by persons (including children) with reduced physical, sensory or mental capabilities, or lack of experience and knowledge, unless they have been given supervision or instruction concerning use of the appliance by a person responsible for their safety.
- Children should be supervised to ensure that they do not play with the appliance.
- If the supply cord is damaged, stop using the unit. Take the unit to a qualified service dealer for inspection and possible repair using identical replacement parts.
- Wear protective glasses or goggles.
- Never allow children or people unfamiliar with the instructions to use the line trimmer.
- Stop using the line trimmer while people, especially children, or pets are nearby.
- Only use the line trimmer in daylight or good artificial light.
- Before using the line trimmer and after any impact, check for signs of wear or damage and repair as necessary.
- Never operate the line trimmer with damaged guards or without the guards in place.

- Keep hands and feet away from the cutting means at all times and especially when switching on the motor.
- Take care against injury from any device fitted for trimming the filament line length. After extending new cutter line always return the line trimmer to its normal operating position before switching on.
- Never fit metal cutting elements.
- Never use replacement parts or accessories not provided or recommended by the manufacturer. See the Parts List in this manual for identical replacement parts.
- Disconnect the line trimmer from the power supply before checking, cleaning or working on the line trimmer and when it is not in use.
- Always ensure that ventilation openings are kept clear of debris.

ADDITIONAL SAFETY INSTRUCTIONS FOR YOUR LINE TRIMMER

- Do not expose to moisture.
- Use only on AC mains supply voltage shown on the product rating label.
- Avoid operating your trimmer in wet grass, where feasible.
- Take care in wet grass, you may lose your footing.
- On slopes, be extra careful of your footing and wear nonslip footwear.
- Do not walk backwards when trimming, you could trip. Walk never run.
- Switch off before pushing the trimmer over surfaces other than grass.
- Never pick up or carry a trimmer by the cable.
- Do not lean over the trimmer guard. Objects may be thrown by the cutting line.
- Keep all nuts, bolts and screws tight to be sure the trimmer is in safe working condition.
- To avoid the risk of injury, keep fingers and hands clear of the line cut-off blade on the leading edge of the guard.
- Don't Force Appliance - It will do the job better and with less likelihood of a risk of injury at the rate for which it was designed; Don't Overreach - Keep proper footing and balance at all times; Stay Alert - Watch what you are doing. Use common sense. Do not operate appliance when you are tired.

IMPORTANT SAFETY INSTRUCTIONS

MAINTENANCE

- After use, disconnect the machine from the mains and check for damage.
- When not in use store the machine out of the reach of children.
- Electric powered trimmers should only be repaired by a qualified service dealer using identical replacement parts.
- Use only identical replacement parts as listed in the Parts List of this manual.

The preparation for use, operation and maintenance of the appliance:

- Read the instructions carefully;
- Be familiar with the controls and proper use of the equipment;
- Before use check the supply and extension cord for signs of damage or ageing;
- If the cord becomes damaged during use, disconnect the cord from the power supply immediately:

**DO NOT TOUCH THE CORD BEFORE
DISCONNECTING THE SUPPLY.**

- Do not use the lawn trimmer (edge trimmer), if the cords are damaged or worn.












WARNING!

- Cutting elements continue to rotate after the motor is switched off;
- Keep extension cords away from cutting elements;
- It is recommended that appliances should be supplied via a residual current device (RCD) with a tripping current of not more than 30mA.

SAVE THESE INSTRUCTIONS






SYMBOLS

Some of the following symbols may be used on this product. Please study them and learn their meaning. Proper interpretation of these symbols will allow you to operate the product better and safer.

SYMBOL	NAME	DESIGNATION/EXPLANATION
V	Volts	Voltage
A	Amperes	Current
Hz	Hertz	Frequency (cycles per second)
W	Watt	Power
min	Minutes	Time
~	Alternating Current	Type of current
≡	Direct Current	Type or a characteristic of current
	Class II Construction	Double-insulated construction
	Safety Alert Symbol	Indicates a potential personal injury hazard.
	Read The Operator's Manual	To reduce the risk of injury user must read and understand operator's manual before using this product.
	Eye and Hearing Protection	Always wear eye protection with side shields marked to comply with ANSI Z87.1, along with hearing protection.
	Wet Conditions Alert	Do not expose to rain or use in damp locations.
	Keep Bystanders Away	Keep all bystanders at least 50 ft. away.
	Gloves	Wear non-slip, heavy-duty protective gloves when handling the hedge trimmer and the blade.
	Safety Footwear	Wear non-slip safety footwear when using this equipment.
	Electric Shock	Failure to use in dry conditions and to observe safe practices can result in electric shock.
	Long Hair	Failure to keep long hair away from the air inlet could result in personal injury.
	Loose Clothing	Failure to keep loose clothing from being drawn into air intake could result in personal injury.

SYMBOLS

The following signal words and meanings are intended to explain the levels of risk associated with this product.

SYMBOL	SIGNAL	MEANING
	DANGER	Indicates an imminently hazardous situation, which, if not avoided, will result in death or serious injury.
	WARNING	Indicates a potentially hazardous situation, which, if not avoided, could result in death or serious injury.
	CAUTION	Indicates a potentially hazardous situation, which, if not avoided, may result in minor or moderate injury.
	CAUTION	(Without Safety Alert Symbol) Indicates a situation that may result in property damage.
	WARNING	To avoid serious personal injury, do not attempt to use this product until you read thoroughly and understand completely the operator's manual. If you do not understand the warnings and instructions in the operator's manual, do not use this product. Call the Customer Care Hot Line for assistance at 1-888-331-4569.
		The operation of any power tool can result in foreign objects being thrown into your eyes, which can result in severe eye damage. Before beginning power tool operation, always wear safety goggles or safety glasses with side shields and, when needed, a full face shield. We recommend Wide Vision Safety Mask for use over eyeglasses or standard safety glasses with side shields. Always use eye protection which is marked to comply with ANSI Z87.1.

FEATURES

PRODUCT SPECIFICATIONS

Voltage.....	120V~ 60Hz
Current.....	4.2 AMP
Revolutions Per Minute	8300 rpm
Line Diameter	0.065 inch (1.65 mm)
Feed System	Dual Line Auto Feed
Cutting Width.....	13 inch
Weight	5.51 lbs (2.25 kg)

KNOW YOUR LINE TRIMMER

See Figure 1.

The safe use of this product requires an understanding of the information on the product and in this operator's manual as well as a knowledge of the project you are attempting. Before use of this product, familiarize yourself with all operating features and safety rules.

CORD RETAINER

A convenient cord retainer helps keep the extension cord connection secure during line trimmer operation.

PIVOTING HEAD

Allows user to choose from 7 positions to maximize trimming or edging effectiveness.

AUXILIARY HANDLE

The line trimmer is equipped with an auxiliary front handle for ease of operation and to prevent loss of control.

ROTATING MAIN HANDLE

The main handle on the trimmer can be rotated and locked into place for ease of use when edging.

TELESCOPING SHAFT

The line trimmer can be adjusted to different lengths to accommodate the user's height and comfort.

ELECTRICAL INFORMATION

⚠ WARNING! To avoid electrical hazards, fire hazards, or damage to the tool, use proper circuit protection. Your line trimmer is wired at the factory for 120 v operation. Connect to a 120 v, 15 a circuit, and use a 15 a time-delayed fuse or circuit breaker. To avoid shock or fire, if the extension cord is worn, cut or damaged in any way, replace it immediately.

DOUBLE INSULATION

See Figure 2.

The line trimmer is double insulated to provide a double thickness of insulation between you and the tool's electrical system. All exposed metal parts are isolated from the internal metal motor components with protective insulation.

⚠ WARNING!

■ ALTHOUGH THIS TOOL IS DOUBLE INSULATED, THE EXTENSION CORD AND RECEPTACLE MUST STILL BE GROUNDED WHILE IN USE TO PROTECT THE OPERATOR FROM ELECTRICAL SHOCK.

■ DOUBLE INSULATION DOES NOT TAKE THE PLACE OF NORMAL SAFETY PRECAUTIONS WHEN OPERATING THIS LINE TRIMMER.

⚠ WARNING! TO AVOID ELECTROCUTION:

■ Use only identical replacement parts when servicing a tool with double insulation. Servicing should be performed by a qualified technician.

■ Do not use in wet or damp areas or expose to rain.

GROUNDIRG INSTRUCTIONS

IN THE EVENT OF A MALFUNCTION OR BREAKDOWN, grounding provides the path of least resistance for electric current, and reduces the risk of electric shock. This tool is equipped with a POLARIZED plug. The plug MUST be plugged into a matching grounded extension cord in accordance with All local codes and ordinances. DO NOT MODIFY THE PLUG PROVIDED. If it will not fit the properly grounded extension cord, have the proper outlet installed by a qualified electrician.

⚠ CAUTION! ALWAYS MAKE SURE THAT YOUR OUTLET IS PROPERLY GROUNDED. IF UNCERTAIN, HAVE IT CHECKED BY A CERTIFIED ELECTRICIAN.

⚠ WARNING! THIS LINE TRIMMER IS FOR OUTDOOR USE ONLY. DO NOT EXPOSE TO RAIN OR USE IN DAMP LOCATIONS.

GUIDELINES FOR USING EXTENSION CORDS

USE THE PROPER EXTENSION CORD. Make sure your extension cord is in good condition. When using an extension cord, be sure to use one heavy enough to carry the current your product will draw. An undersized cord will cause overheating. The table below shows the correct size to use depending on cord length and nameplate ampere rating. If in doubt, use the next heavier gauge. The smaller the gauge number, the heavier the cord.

Minimum Gauge for Extension Cords (AWG)

(when using 120V only)

Ampere Rating		Total Length of Cord in Feet (meters)			
More Than	Not More Than	25' (7.6 m)	50' (15.2 m)	100' (30.4 m)	150' (45.7 m)
0	6	18	16	16	14
6	10	18	16	14	12
10	12	16	16	14	12
12	16	14	12	Not recommended	

Make sure your extension cord is properly wired and in good electrical condition. Always replace a damaged extension cord or have it repaired by a qualified person before use. Keep extension cords away from sharp objects, excessive heat and damp or wet areas Use a separate electrical circuit for your tools. This circuit should comprise a wire of at least 12 gauge and should be protected with a 15 A time-delayed fuse. Before connecting the motor to the power line, make sure the

switch is in the OFF position and the electric current is identical to that stamped on the motor nameplate. Running at a lower voltage will damage the motor.

⚠ WARNING! ALTHOUGH THIS LINE TRIMMER IS DOUBLE INSULATED, THE EXTENSION CORD AND RECEPTACLE MUST STILL BE GROUNDED WHILE IN USE TO PROTECT THE OPERATOR FROM ELECTRICAL SHOCK.

ASSEMBLY

UNPACKING

This product requires assembly.

- Carefully remove the product and any accessories from the box. Make sure that all items listed in the packing list are included.
- Inspect the product carefully to make sure no breakage or damage occurred during shipping.
- Do not discard the packaging material until you have carefully inspected and satisfactorily operated the product.
- If any parts are damaged or missing, do not operate the trimmer. Return it for replacement to the retailer from which it was purchased.

PACKING LIST


Line Trimmer

Flower Guard

Safety Guard with Screws

Auxiliary Handle Assembly with Bolt and Wing Nut

Operator's Manual


 **WARNING!** Before assembly, make sure that the line trimmer is switched off and unplugged.

FITTING THE SAFETY GUARD

See Figure 3-4.

The Safety Guard prevents cut debris from flying back at the operator.

- Fit the safety guard into the slots on the trimmer housing and line up the screw hole in the safety guard with the screw hole in the trimmer head.
- Install supplied screw and tighten by turning clockwise with a Phillips screwdriver.

 **WARNING!** The line cut-off blade on the safety guard is sharp. Avoid contact with the blade. Failure to avoid contact can result in serious personal injury. Never use the line trimmer unless the guard is properly fitted.

FITTING THE AUXILIARY HANDLE


See Figure 5-6.


- Loosen and remove the wing nut from the handle.
- Place the handle on the line trimmer as shown.
- Adjust the handle to the most comfortable position.
- Pass the bolt through the auxiliary handle. Tighten the wing nut to secure. Do not overtighten the nut.


PREPARING THE TRIMMER FOR USE

See Figure 7-8.

- Press the rotational lock button and rotate the main handle counterclockwise. Release button when main handle has been rotated 180°.
- Turn the adjustment collar clockwise to unlock. You can slide the telescopic tube up or down to achieve the most comfortable working height.
- Turn the adjustment collar counterclockwise till the shaft lock into place.

 **WARNING!** If any parts are damaged or missing, do not operate this product until the parts are replaced. Failure to heed this warning could result in serious personal injury.

 **WARNING!** Do not connect to power supply until assembly is complete. Failure to comply could result in accidental starting and possible serious personal injury.

 **WARNING!** Never attempt to lock the switch trigger in the ON position.

OPERATION

STARTING/STOPPING THE TRIMMER

See Figure 9-10.

- Attach the outlet end of an extension cord to the plug on the rear of the line trimmer.

NOTE: Use only approved outdoor extension cords.

- Route the extension cord through the slot located on the rear of the line trimmer housing and place underneath the cord retainer.
- To start the line trimmer, press the switch trigger.
- To stop the line trimmer, release the switch trigger.

OPERATING THE TRIMMER

See Figure 11.

- Hold the line trimmer as shown.
- Gently swing the trimmer from side to side .
- In order to achieve optimum cutting results, only cut dry grass.
- When cutting long or thick grass, start at the top of the grass blades and gradually work down to the bottom.
- If the line trimmer starts running slowly, reduce the amount of material you are trying to cut.

IF GRASS BECOMES WRAPPED AROUND LINE HEAD SHAFT:

- Stop trimmer.
- Unplug the line trimmer.
- Remove the grass.

ADJUSTING TRIMMER HEAD ANGLE

See Figure 12.

The trimmer head can be pivoted to seven different positions.

- Unplug the line trimmer.
- Push the pivot button and move the trimmer head up or down to one of the seven positions indicated by the notches.

NOTE: Adjust the trimmer head to the first, second and third notches for trimming and notches four, five, six and seven for edging, based on preferred trimming and edging position.

- Make sure the trimmer head is securely locked into place before resuming work.

USING THE FLOWER GUARD

See Figure 13.

NOTE: The flower guard provides a visual indicator of the maximum reach of the trimming line.

When the flower guard is swung down, it can be used as a distance guide for use around plants, poles and fence posts.

ADVANCING LINES USING AUTO FEED

NOTE: The trimmer is equipped with an auto-feed head. DO NOT bump the head to try to advance the line as this will damage trimmer and void warranty.

- With the trimmer running but NOT trimming, release the switch trigger.
- Wait two seconds, and press the switch trigger.

NOTE: The line will extend approximately 3/16 in. with each stop and start of the switch trigger until the line reaches the length of the line cut-off blade.

- Resume trimming.

ADVANCING THE LINES MANUALLY

See Figure 1.

NOTE: If lengthy line advancement is required, use the Advance Button found on the side of the trimmer head.

- Release the ON/OFF Switch Trigger to stop the unit, and unplug the trimmer.
- Depress the manual advance button, and pull one or both of the two lines. The lines will advance 3/16 inch and stop. Push the button again to advance more line.
- Push the button and pull lines out as many times as it takes to reach the line cut-off blade. Always advance both lines to the same length.

ROTATING MAIN HANDLE FOR EDGING

See Figure 14.

NOTE: The best method of edging is performed with the main handle rotated.

- Unplug the line trimmer.
- Press the rotational lock button and rotate the main handle clockwise.
- Release button when main handle has been rotated 180° to the edging position.


EDGING

See Figure 15-16.


- The rotating main handle can be used in combination with the flower guard for edging sidewalks and walkways. To use the flower guard, flip down from its stored position.

CARE AND MAINTENANCE

Your line trimmer has been designed to operate over a long period of time with a minimum of maintenance. Continuous satisfactory operation depends upon proper tool care and regular cleaning.

 **WARNING!** Before performing any maintenance, switch off and unplug the tool.

- Regularly clean the ventilation slot in your line trimmer using a soft brush or dry cloth.
- Regularly clean the cutting line and spool using a soft brush or dry cloth.
- Regularly use a blunt scraper to remove grass and dirt from the underside of the guard.

 **WARNING!** When servicing, use only identical replacement parts. Use of any other parts may create a hazard or cause product damage.

SPOOL REPLACEMENT

See Figure 17.

- Use only round .065" diameter monofilament line. Use original manufacturer's replacement line for best performance.
- Unplug the line trimmer.
- Push in tabs on side of spool cover.
- Pull spool cover up to remove.
- Remove spool.
- To install the new spool, make sure the two lines are captured in the slots opposite each other on the new spool. Make sure the end of each line is extended approximately 6 in. beyond each slot.
- Install the new spool so that the lines and slots align with the eyelets in the line head. Thread the lines into the eyelets.
- Pull the lines extending from the line head so the line releases from the slots in the spool.
- Reinstall the spool cover by depressing tabs into slots in the line head and pushing down until spool cover clicks into place.

NOTE: Replacement spool is available at SEARS; item # 71.99006


LINE REPLACEMENT

See Figure 18.

- Unplug the line trimmer.
- Remove the spool from the line head.

NOTE: Remove any old line remaining on the spool. Cut two pieces of line, each being approximately 9 ft. (2.7 m) long. Use only .065 in. (1.65 mm) diameter monofilament line.

- Insert the first line into the anchor hole in the upper part of the spool. Wind the first line around the upper part of the spool clockwise, as shown by the arrows on the spool. Place line in the slot on upper spool flange, leaving about 6 in. (152 mm) extended beyond the slot. Do not overfill. After winding the line, there should be at least 1/4 in. (6 mm) between the wound line and the outside edge of the spool.
- Repeat above step with second line, using the bottom part of spool and the lower anchor hole. Do not overfill.
- Install the spool in the line head and replace the spool cover as described in Spool Replacement.

 **WARNING!** Only use the appropriate type of cutting line.

STORING THE TRIMMER

- Clean all foreign material from the trimmer.
- Store it in a place that is inaccessible to children.
- Keep away from corrosive agents such as garden chemicals and de-icing salts.

TROUBLESHOOTING

If your line trimmer does not seem to operate properly, first consult the Troubleshooting Table below.

If the solution to your trimmer problem is not found in the Troubleshooting information, take the trimmer to a qualified service dealer for inspection and possible repair.

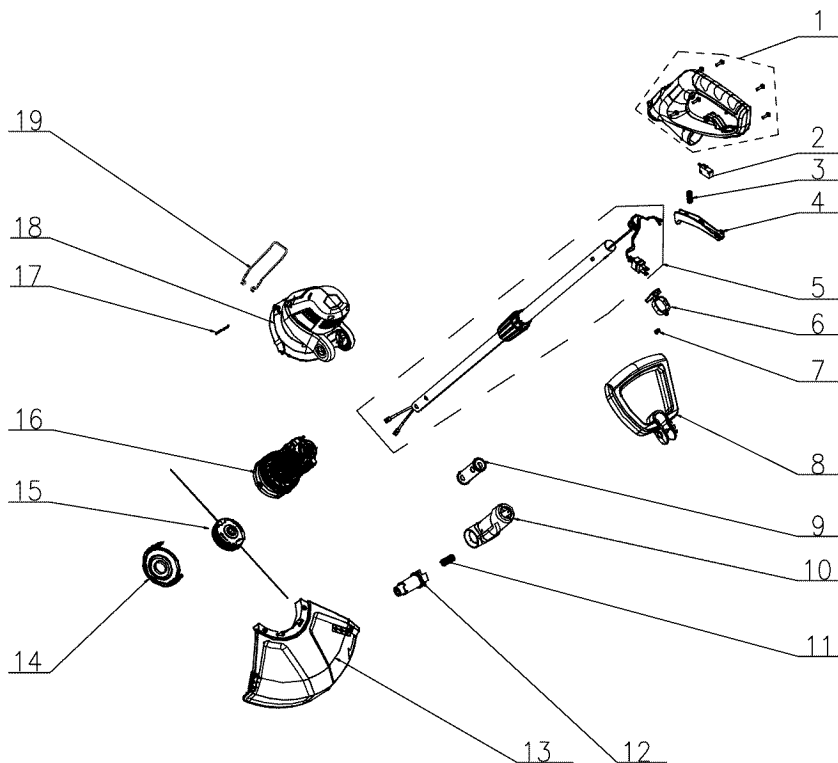
 **WARNING!** Before proceeding, switch off and unplug.

PROBLEM	POSSIBLE CAUSE	SOLUTION
Lines will not feed when used as per instructions.	1. Lines have become stuck together due to heat or storage time.	1. Unplug trimmer. Open spool cover. Remove spool. Unwind line and then rewind onto spool.
	2. Not enough line present in spool.	2. Unplug trimmer. Open spool cover. Remove spool and replace with new line or new spool assembly as per instructions in this manual.
	3. Lines are tangled on spool.	3. Unplug trimmer. Open spool cover. Remove spool. Unwind and remove tangled line. Rewind line as per instructions in this manual.
Grass wraps around drive shaft housing and line head.	1. Cutting tall grass at ground level.	1. Cut tall grass from the top down to prevent wrapping.
Motor fails to start when switch trigger is depressed.	1. Power cord is not plugged in or connection is loose.	1. Plug in the power cord.
	2. Household circuit breaker is tripped.	2. Check circuit breaker.
	3. Extension cord may be faulty.	3. Try another extension cord or connect into another wall receptacle socket on a different circuit.

CRAFTSMAN 13-inch LINE TRIMMER – MODEL NUMBER 151.30378

The model number will be found on a label attached to the motor housing.

TO PURCHASE REPLACEMENT PARTS, CALL 1-888-331-4569



CRAFTSMAN 13-inch LINE TRIMMER – MODEL NUMBER 151.30378

The model number will be found on a label attached to the motor housing.

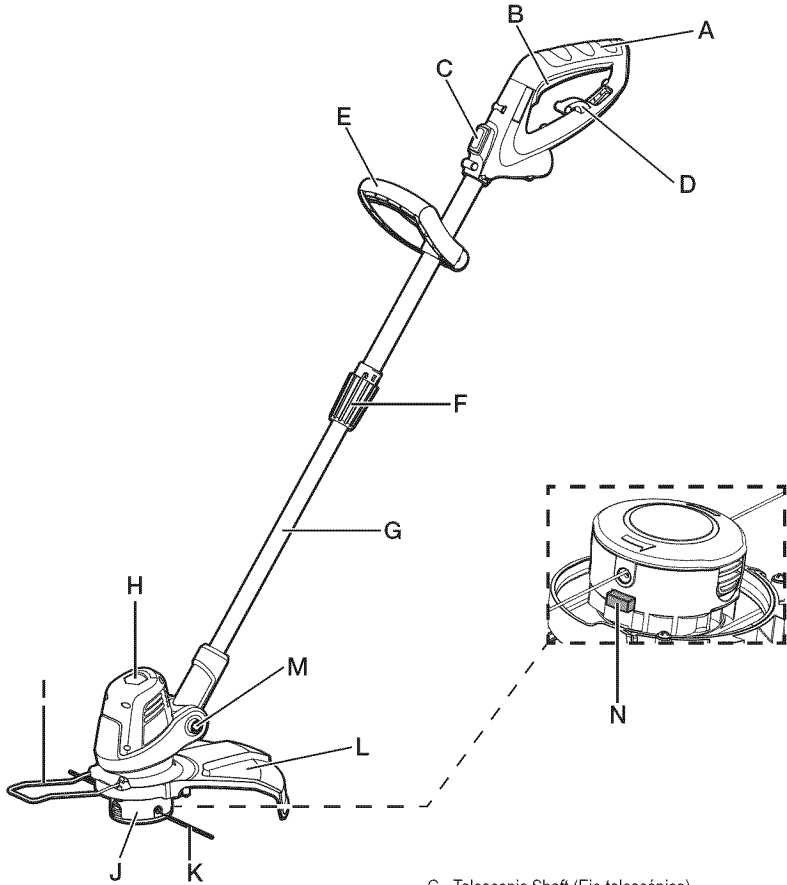
TO PURCHASE REPLACEMENT PARTS, CALL 1-888-331-4569

ITEM NO.	PART NO.	DESCRIPTION	QTY
1	GT81FM.00.01.X1.01	Main Handle Assembly	1
2	WODQ10.02.11	Switch	1
3	TOTHYY.05.08	Spring	1
4	GT01FM.00.03	Switch Button	1
5	GT81FM.10.10.X1.01	Aluminum Tube Assembly	1
6	GT70RM.00.06	Aluminum Tube Button	1
7	TOTHYY.06.09	Spring	1
8	GT81FM.30.01.X1.01	Auxilliary Handle Assembly	1
9	GT81FM.10.04	Rubber Pad	1
10	GE61DC.10.01.X1.01	Pivoting Neck Support Assembly	1
11	TOTHYY.03.12	Pivot Actuator Spring	1
12	GE61DC.00.05	Pivot Actuator Button	1
13	GT81FM.40.00	Safty Guard Assembly incl/line cut-off blade	1
14	GT15FM.20.01	Spool Cover	1
15	GT80FM.60.10	Trimmer Spool w/ line	1
16	TM6558.00.00.X2.01	Motor Assembly	1
17	GT30FM.00.07	Rubber Pad	2
18	GT81FM.20.01.X1.01	Motor Housing Assembly	1
19	GT80FM.00.01	Flower Guard	1

See this section for all of the figures referenced in the operator's manual.

Consulte esta sección para ver todas las figuras mencionadas en el manual del usuario.

Fig. 1



- A - Main Handle (Manila principal)
- B - ON/OFF Switch Trigger
(Gatillo interruptor de encendido/apagado)
- C - Rotational Lock (Bloqueo de giro)
- D - Cord Retainer (Retén del cable)
- E - Auxiliary Handle (Manila auxiliar)
- F - Height Adjustment Locking Collar
(Aro de bloqueo del ajuste de altura)

- G - Telescopic Shaft (Eje telescópico)
- H - Motor Housing (Carcasa del motor)
- I - Flower Guard (shown in lowered position)
(Protector para flores (presentado en posición abajo))
- J - Line Spool (Carrete de hilo)
- K - Trimming Line (Hilo de corte)
- L - Safety Guard (Protección de seguridad)
- M - Pivot Button (Botón del pivote)
- N - Advance Button (Botón de avance)

Fig. 2

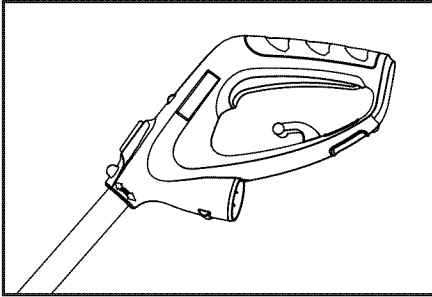
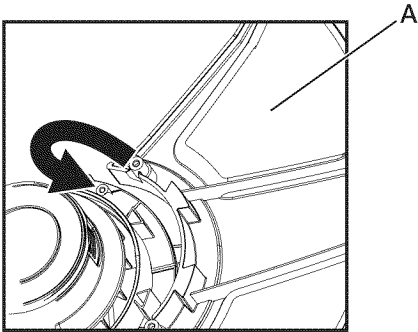
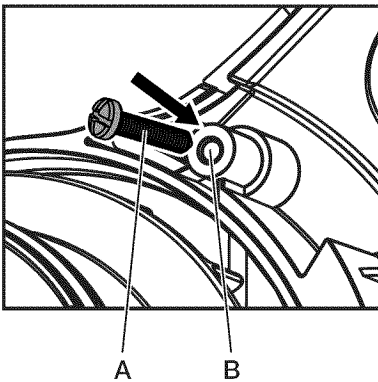


Fig. 3



A - Safety Guard (Protección de seguridad)

Fig. 4



A - Screw (Tornillo)

B - Screw Hole (Orificio del tornillo)

Fig. 5

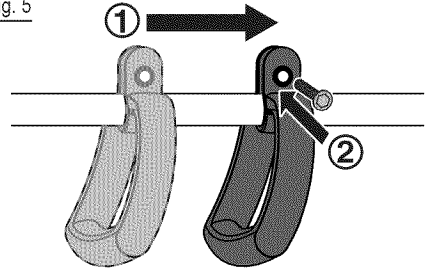


Fig. 6

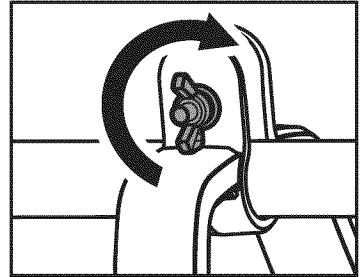


Fig. 7

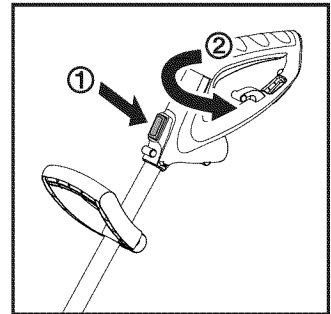


Fig. 8

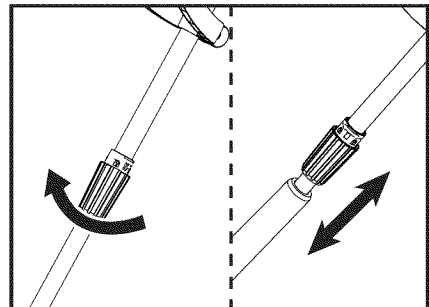


Fig. 9

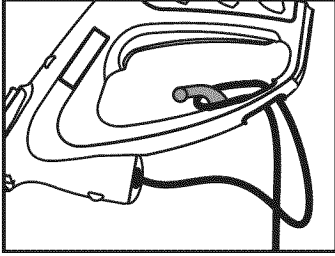


Fig. 10

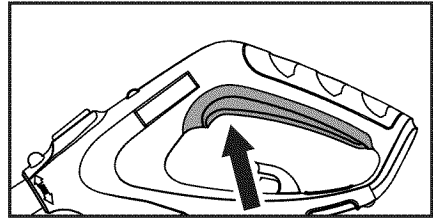
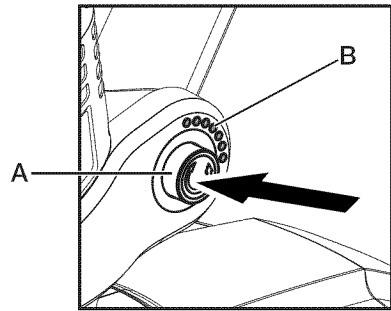


Fig. 11



Fig. 12



A - Pivot Button (Botón del pivote)
B - 7 Positions (7 posiciones)

Fig. 13

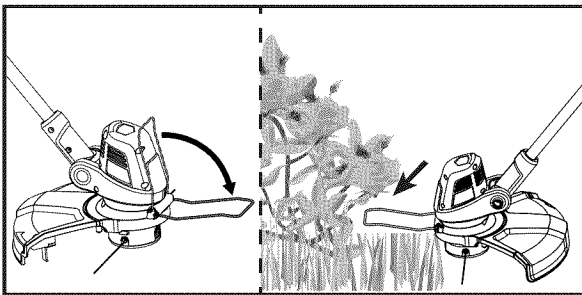
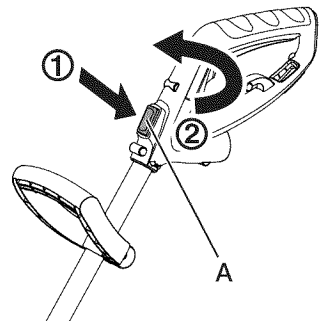
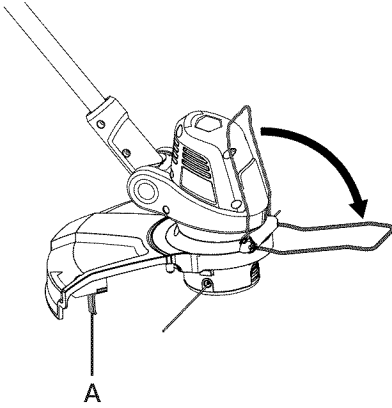


Fig. 14



A - Rotational Lock Button
(Botón de bloqueo de giro)

Fig. 15

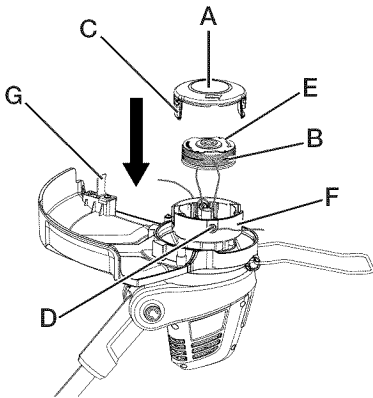


A - Line Cut Off Blade (Hoja de corte de hilo)

Fig. 16

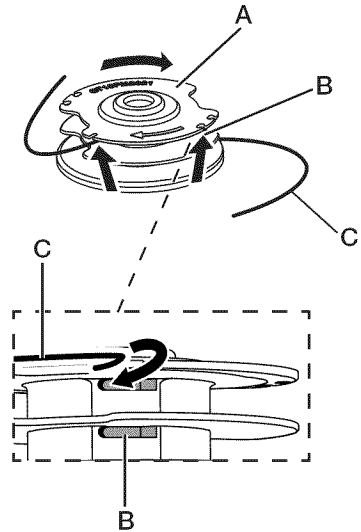


Fig. 17



- A - Spool Cover (Tapa del carrete)
- B - Spool (Carrete)
- C - Tabs (Pestañas)
- D - Eyelets (Ojales)
- E - Slots (Ranuras)
- F - Line Head (Cabezal de hilo)
- G - Line Cut-Off Blade (Hoja de corte de hilo)

Fig. 18



- A - Spool (Carrete)
- B - Anchor Hole (Orificio de anclaje)
- C - Trimming Line (Hilo de corte)

INSTRUCCIONES DE SEGURIDAD IMPORTANTES

INSTRUCCIONES DE SEGURIDAD IMPORTANTES



IMPORTANTE Al utilizar el producto de jardinería eléctrico, se deben seguir siempre las precauciones de seguridad básicas a fin de reducir el riesgo de incendios, descarga eléctrica y lesiones personales. Por su propia seguridad y la de las personas cercanas, lea estas instrucciones antes de usar la orilladora. No utilice la orilladora sin antes leer las instrucciones. Guarde las instrucciones para usarlas a futuro.

LEA TODAS LAS INSTRUCCIONES

- Esta orilladora está diseñada para cortar pasto, vegetación suave y para cortar bordes de pastos en zonas privadas y de jardines a las que no se puede acceder con una orilladora.
- Este producto no se debe usar en jardines públicos, parques, centros de deportes o caminos, ni tampoco en actividades agrícolas ni forestales.
- Esta orilladora no se debe usar para cortar o picar, ya que estas actividades general riesgo de lesiones:
 - Setos, arbustos, árboles pequeños,
 - Flores,
 - En casos de compostaje.
- Esta orilladora no está diseñada para que la usen personas (incluyendo niños) con capacidades físicas, sensoriales o mentales reducidas, o que no tengan la experiencia y conocimiento necesarios, a menos que hayan recibido supervisión e instrucción en relación con el uso del aparato por parte de una persona responsable de su seguridad.
- Debiera supervisarse a los niños para asegurarse de que no jueguen con este aparato.
- Si el cable de alimentación está dañado, deje de usar el producto. Lleve el producto a un concesionario de servicio calificado para que lo inspeccione y repare, en caso de ser necesario.
- Utilice lentes protectores o antiparras.
- Jamás permita que niños o personas que no conozcan las instrucciones utilicen la orilladora.
- Deje de usar la orilladora cuando haya personas, especialmente niños, cerca.
- Utilice la orilladora solo durante el día o bajo una buena iluminación artificial.
- Antes de usar la orilladora y después de cualquier impacto, revise que no haya señales de desgaste o daños y repare según sea necesario.
- Jamás utilice la orilladora si las protecciones están dañadas o no están puestas.
- Mantenga sus manos y pies alejados del sistema de

corte en todo momento y especialmente al encender el motor.

- Tenga cuidado de no lesionarse con los dispositivos equipados para recortar el largo del filamento. Tras extender el nuevo hilo de corte, devuelva siempre la orilladora a su posición de uso normal antes de encenderla.
- Jamás coloque elementos de corte hechos de metal.
- Jamás utilice piezas de repuesto o accesorios que no hayan sido suministrados o recomendados por el fabricante. Consulte la Lista de piezas de este manual para encontrar piezas de repuesto idénticas.
- Desconecte la orilladora de la alimentación antes de revisarla, limpiarla, trabajar con ella y cuando no esté en uso.
- Asegúrese de que las aberturas de ventilación estén libres de sedimentos.

INSTRUCCIONES DE SEGURIDAD ADICIONALES PARA SU ORILLADORA

- No exponer a la humedad.
- Utilice solo el voltaje de entrada CA indicado en la etiqueta de clasificación del producto.
- Evite usar su orilladora en pastos mojados, cuando sea posible.
- Tenga cuidado al trabajar en pastos mojados, ya que podría perder la estabilidad.
- En pendientes, preste atención adicional a sus pies y use calzado antideslizante.
- No camine hacia atrás al cortar pasto, ya que podría tropezarse. Camine, no corra.
- Apague antes de mover la orilladora sobre superficies que no sean pasto.
- Jamás levante o transporte una orilladora tomándola desde el cable de alimentación.
- No se incline sobre la protección de la orilladora. Los objetos podrían salir disparados por la acción del hilo de corte.
- Mantenga todos los pernos, tuercas y tornillos apretados, para asegurarse de que la orilladora está en condiciones operativas seguras.
- Para evitar el riesgo de lesiones, mantenga sus dedos y manos alejados de la hoja de corte en el borde de la protección.
- No fuerce el aparato, hará el trabajo de mejor manera y con menos riesgos de lesiones si lo utiliza de la forma para la cual fue diseñado; no se extralimite, mantenga sus pies firmes y su equilibrio en todo momento; manténgase alerta, esté atento a lo que hace. Haga uso de su sentido común. No utilice el producto cuando esté cansado.

INSTRUCCIONES DE SEGURIDAD IMPORTANTES

MANTENIMIENTO

- Luego de usar, desconecte la máquina de la alimentación y verifique que no haya recibido daños.
- Cuando no la esté usando, guarde la máquina lejos del alcance de los niños.
- Las orilladoras eléctricas se deben reparar solo mediante un concesionario de servicio calificado, utilizando piezas de repuesto idénticas.
- Utilice solo las piezas de repuesto originales indicadas en la Lista de piezas de este manual.

Preparación para el uso, operación y mantenimiento del aparato:

- Lea las instrucciones detenidamente.
- Familiarícese con los controles y uso correcto del equipo.
- Antes de usar, revise el suministro de alimentación y el cable en búsqueda de daños o desgaste.
- Si se daña el cable durante el uso, desconéctelo de la alimentación inmediatamente:

NO TOQUE EL CABLE ANTES DE DESCONECTARLO DE LA ALIMENTACIÓN.

- No utilice la orilladora si los hilos están dañados o gastados.



¡ADVERTENCIA!

- Los elementos cortantes siguen girando después de que el motor se detiene.
- Mantenga los alargadores alejados de los elementos de corte.
- Se recomienda que los productos se alimenten mediante un dispositivo de corriente residual (RCD) con corriente de disparo no mayor a 30mA.

GUARDE ESTAS INSTRUCCIONES







SÍMBOLOS

Algunos de los siguientes símbolos podrían aparecer en este producto. Estúdielos y aprenda su significado. Una interpretación correcta de estos símbolos le permitirá utilizar el producto mejor y de forma más segura.

SÍMBOLO	NOMBRE	NOMBRE/EXPLICACIÓN
V	Volts	Voltaje
A	Amperes	Corriente
Hz	Hertz	Frecuencia (ciclos por segundo)
W	Vatio	Energía
min	Minutos	Tiempo
~	Corriente alterna	Tipo de corriente
— — —	Corriente continua	Tipo o característica de la corriente
	Construcción clase II	Construcción con aislamiento doble
	Símbolo de alerta de seguridad	Indica un riesgo potencial de lesiones a la persona.
	Lea el manual de uso	Para reducir el riesgo de lesiones, el usuario debe leer y comprender el manual de uso antes de utilizar este producto.
	Protección ocular y auditiva	Use siempre protección ocular con escudos laterales para cumplir con la normativa ANSI Z78.1, junto con protección auditiva.
	Alerta de condiciones húmedas	No exponer a la lluvia ni usar en lugares húmedos.
	Mantenga a las personas alejadas	Mantenga a todas las personas alejadas al menos 50 pies (15 metros).
	Guantes	Al manipular el cortasetos y el aspa, utilice guantes protectores resistentes antideslizantes.
	Calzado de seguridad	Al utilizar este equipo, use zapatos de seguridad antideslizantes.
	Descarga eléctrica	Utilizar el producto en condiciones húmedas y no seguir las prácticas seguras puede provocar una descarga eléctrica.
	Cabello largo	El no mantener el cabello alejado de la toma de aire puede causar lesiones personales.
	Ropa holgada	El no mantener la ropa holgada lejos de la toma de aire puede causar lesiones personales.

SÍMBOLOS

Las siguientes palabras y significados están diseñados para explicar los niveles de riesgo asociado a este producto.

SÍMBOLO	SEÑAL	SIGNIFICADO
	PELIGRO	Indica una situación peligrosa inminente, la cual, de no evitarse, causará la muerte o lesiones severas.
	ADVERTENCIA	Indica una situación potencialmente peligrosa, la cual, de no evitarse, podría causar la muerte o lesiones severas.
	CUIDADO	Indica una situación potencialmente peligrosa, la cual, de no evitarse, podría causar una lesión menor o moderada.
	CUIDADO	(Sin símbolo de alerta de seguridad) Indica una situación que podría causar daños a la propiedad.
	ADVERTENCIA	Para evitar lesiones severas, no intente utilizar este producto hasta que haya leído y comprendido exhaustivamente el manual del usuario. Si no comprende las advertencias e instrucciones del manual del usuario, no utilice este producto. Para obtener ayuda, llame a la línea de atención telefónica al usuario, al 1-888-331-4569.
 		El uso de herramientas eléctricas puede causar que objetos extraños entren en sus ojos, lo cual puede provocar lesiones severas. Antes de utilizar una herramienta eléctrica, póngase antiparras o lentes de seguridad con protección lateral y, de ser necesario, use escudo facial. Recomendamos una máscara de seguridad que permita una visión amplia para usarse encima de las lentes o bien lentes de seguridad con protección lateral. Use siempre protección ocular que cumpla con la normativa ANSI Z87.1.

CARACTERÍSTICAS

ESPECIFICACIONES DEL PRODUCTO

Voltaje.....	120V~ 60Hz
Corriente.....	4,2 AMP
Revoluciones por minuto.....	8300 rpm
Diámetro del hilo.....	0,065 inch (1,65 mm)
Sistema de alimentación	Alimentación automática con hilo doble
Ancho de corte	13 pulgadas
Peso	2,25 kg (5,51 lbs)

CONOZCA SU ORILLADORA

Consulte la Figura 1.

El uso seguro de este producto requiere que conozca la información de la herramienta y la que aparece en este manual así como también el proyecto en el que está trabajando. Antes de usar este producto, familiarícese con todas las funciones operativas y reglas de seguridad.

CONTENEDOR DEL CABLE

Un práctico contenedor para el cable ayuda a mantener el alargador seguro mientras se usa la sopladora.

CABEZAL PIVOTANTE

Permite al usuario seleccionar una de las 7 posiciones, para maximizar la efectividad de corte.

MANILLA AUXILIAR

La orilladora está equipada con una manilla frontal auxiliar que facilita el uso y evita la pérdida del control.

MANILLA PRINCIPAL GIRATORIA

La manilla principal de la orilladora se puede girar y fijar para facilitar el uso.

EJE TELESCÓPICO

La orilladora se puede ajustar a diferentes largos para alcanzar la altura y comodidad del usuario.

INFORMACIÓN ELÉCTRICA

⚠ ¡ADVERTENCIA! Para evitar peligros eléctricos, peligros de incendio o daños a la herramienta, utilice una protección de circuitos adecuada. Su orilladora viene cableada de fábrica para funcionar con 120 v. Conéctela a un circuito de 120 v, 15a y utilice un fusible con retardo temporal o automático. Para evitar el riesgo de incendios, en caso de estar desgastado el alargador, cortado o dañado de manera alguna, reemplácelo inmediatamente.

DOBLE AISLANTE

Consulte la Figura 2.

La orilladora tiene doble aislante para proporcionar un doble grosor en la aislación entre usted y el sistema eléctrico de la herramienta. Todas las piezas metálicas expuestas están aisladas de los componentes internos metálicos del motor mediante una aislación protectora.

⚠ ¡ADVERTENCIA!

■ SI BIEN ESTA HERRAMIENTA TIENE DOBLE AISLACIÓN, EL CABLE DE EXTENSIÓN Y SU RECEPTÁCULO DEBEN TENER CONEXIÓN AL TIERRA PARA PROTEGER AL USUARIO DE DESCARGAS ELÉCTRICAS.

■ LA DOBLE AISLACIÓN NO REEMPLAZA LAS PRECAUCIONES DE SEGURIDAD NORMALES AL USAR ESTA ORILLADORA.

⚠ ¡ADVERTENCIA! PARA EVITAR LA ELECTROCUCIÓN:

■ A la hora de hacer cualquier tarea de mantenimiento a una herramienta con doble aislante, utilice siempre piezas idénticas de recambio. Las reparaciones se deben realizar mediante un técnico calificado.

■ No la utilice en zonas húmedas ni mojadas ni la exponga a la lluvia.

INSTRUCCIONES PARA LA TOMA A TIERRA

EN CASO DE MALFUNCIONAMIENTO O FALLA, el cableado a tierra representa la ruta de menor resistencia para la corriente y reduce el riesgo de descarga eléctrica. Esta herramienta posee un enchufe POLARIZADO. El enchufe DEBE conectarse a un alargador con conexión a tierra que cumpla con todos los códigos y ordenanzas locales. NO MODIFIQUE EL ENCHUFE SUMINISTRADO. Si no calza en el alargador con conexión a tierra, haga que un electricista calificado instale una toma de corriente adecuada.

⚠ ¡PRECAUCIÓN! ASEGÚRESE SIEMPRE DE QUE SU TOMA DE CORRIENTE ESTÉ BIEN CONECTADA A TIERRA. SI NO ESTÁ SEGURO, HAGA QUE UN ELECTRICISTA CERTIFICADO LO REVISE.

⚠ ¡ADVERTENCIA! ESTA ORILLADORA ES SOLO PARA USO EN EXTERIORES. NO EXPONER A LA LLUVIA NI USAR EN LUGARES HÚMEDOS.

PAUTAS PARA UTILIZAR ALARGADORES

USE EL ALARGADOR ADECUADO Asegúrese de que su alargador esté en buenas condiciones. Al utilizar un alargador, asegúrese de utilizar uno lo suficientemente potente como para llevar la corriente necesaria que el producto necesita. Un cable de menor tamaño causará sobrecalentamiento. La tabla que aparece a continuación muestra el tamaño correcto dependiendo del largo del cable y clasificación del amperaje. Si tiene dudas, utilice el calibre más alto que le siga. Mientras menor sea el número del calibre, más fuerte será el cable.

Calibre mínimo para alargadores (AWG) (solo al utilizar 120V)

Amperaje		Largo total del cable en pies (metros)			
Más de	No más de	25' (7.6 m)	50' (15.2 m)	100' (30.4 m)	150' (45.7 m)
0	6	18	16	16	14
6	10	18	16	14	12
10	12	16	16	14	12
12	16	14	12	No recomendado	

Asegúrese de que su alargador esté en buenas condiciones eléctricas. Reemplace siempre un alargador dañado o haga que lo repare una persona calificada antes de usarlo. Mantenga los alargadores alejados de objetos filosos, calor excesivo y zonas mojadas o húmedas. Utilice un circuito eléctrico separado para sus herramientas. Este circuito debe tener un cable de al menos calibre 12 y estar protegido con un fusible con retardo de tiempo 15 A. Antes de conectar el motor a la alimentación eléctrica, asegúrese de que el interruptor

esté en la posición de apagado (OFF) y que la corriente sea igual a la estampada en la placa del motor. El uso a un voltaje menor dañará el motor.

⚠ ¡ADVERTENCIA! SI BIEN ESTA ORILLADORA TIENE DOBLE AISLACIÓN, EL CABLE DE EXTENSIÓN Y SU RECEPTÁCULO DEBEN TENER CONEXIÓN AL TIERRA PARA PROTEGER AL USUARIO DE DESCARGAS ELÉCTRICAS.

ARMADO

DESEMBALAJE

Este producto requiere armado.

- Con cuidado, extraiga el producto y sus accesorios de la caja. Asegúrese de que todos los elementos mencionados en la lista de componentes del empaque estén incluidos.
- Inspeccione el producto cuidadosamente para asegurarse de que no se haya roto o dañado durante el transporte.
- No bote el material del empaque hasta que haya inspeccionado completamente y utilizado satisfactoriamente el producto.
- No utilice la orilladora si alguna de las piezas está dañada o falta. Devuélvala para que el vendedor a quien compró la herramienta la repare.

LISTA DE EMPAQUE

Orilladora

Protector para flores

Protector de seguridad con tornillos

Conjunto de piezas de la Manilla auxiliar con perno y tuerca de mariposa.

Manual del usuario


 **¡ADVERTENCIA!** Antes de armar, asegúrese de que la orilladora esté apagada y desenchufada.

CÓMO INSTALAR EL PROTECTOR DE SEGURIDAD

Consulte la Figura 3-4.

El protector de seguridad evita que los sedimentos cortados golpeen al operador.

- Coloque el protector de seguridad en las ranuras de la carcasa de la orilladora y alinee el orificio del tornillo que se encuentra en la protección de seguridad con el orificio del tornillo que se encuentra en el cabezal de la orilladora.
- Instale el tornillo incluido y apriete girando hacia la derecha utilizando un destornillador Phillips.

 **¡ADVERTENCIA!** La hoja de corte de la protección de seguridad es filosa. Evite el contacto con la hoja. El no evitar el contacto con la hoja puede provocar lesiones severas. Jamás utilice la orilladora a menos que la protección esté instalada correctamente.

CÓMO INSTALAR LA MANILLA AUXILIAR


Consulte la Figura 5-6.


- Suelte y saque la tuerca de mariposa desde la manilla.
- Coloque la manilla en la orilladora tal como se indica.
- Ajuste la manilla en la posición más cómoda para usted.
- Presione el perno a través de la manilla auxiliar. Apriete la tuerca de mariposa para fijar. No apriete la tuerca más de la cuenta.

CÓMO PREPARAR LA ORILLADORA PARA EL USO

Consulte la Figura 7-8.

- Presione el botón de bloqueo giratorio y mueva la manija en el sentido contrario a las agujas del reloj. Suelte el botón cuando la manija principal haya pivotado 180°.
- Gire el aro de ajuste hacia la derecha para desbloquearlo. Puede deslizar el tubo telescópico hacia arriba o abajo hasta alcanzar la altura de trabajo más cómoda.
- Gire el aro de ajuste hacia la izquierda hasta que el eje quede fijo en su lugar.

 **¡ADVERTENCIA!** Si alguna pieza está dañada o falta, no utilice este producto hasta reemplazarlas. No hacer caso a esta advertencia podría causar lesiones severas.

 **¡ADVERTENCIA!** No conectar a la alimentación hasta que el armado esté completo. El no cumplir con esto podría causar un funcionamiento inicial erróneo y posibles lesiones severas.

 **¡ADVERTENCIA!** Jamás intente fijar el gatillo interruptor en la posición de encendido (ON).

FUNCIONAMIENTO

CÓMO ENCENDER/DETERENER LA ORILLADORA

Consulte la Figura 9-10.

- Inserte el extremo de salida de un alargador en el enchufe de la parte posterior de la orilladora.

NOTA: Utilice solo alargadores aprobados para uso en exteriores.

- Enrute el alargador a través de la ranura ubicada en la parte posterior de la carcasa de la orilladora y colóquelo debajo del retén del cable.
- Para encender la orilladora, presione el gatillo interruptor.
- Para detener la orilladora, suelte el gatillo interruptor.

CÓMO UTILIZAR LA ORILLADORA

Consulte la Figura 11.

- Sostenga la orilladora tal como se indica.
- Deslice la orilladora suavemente de un lado al otro.
- Para alcanzar óptimos resultados de corte, corte solo pasto seco.
- Al cortar pasto largo o grueso, comience desde la parte superior del pasto y baje gradualmente hasta alcanzar el fondo.
- Si la orilladora comienza a funcionar con lentitud, reduzca la cantidad de material que intenta cortar.

SI SE ENREDA PASTO EN EL EJE DEL CABEZAL DEL HILO:

- Detenga la desbrozadora.
- Desenchufe la orilladora.
- Quite el pasto.

CÓMO AJUSTAR EL ÁNGULO DEL CABEZAL DE CORTE

Consulte la Figura 12.

El cabezal de corte se puede mover entre siete posiciones distintas.

- Desenchufe la orilladora.
- Empuje el botón del pivote y mueva la orilladora hacia arriba o hacia abajo, hasta una de las siete posiciones indicadas por las muescas.

NOTA: Ajuste el cabezal de corte en la primera, segunda y tercera muesca para recortar y en las muescas cuatro, cinco, seis y siete para cortar bordes, basándose en la posición de corte y recorte preferidas.

- Asegúrese de que el cabezal de corte esté fijado con seguridad antes de volver a trabajar.

CÓMO USAR EL PROTECTOR PARA FLORES

Consulte la Figura 13.

NOTA: El protector para flores es un indicador visual del máximo alcance del hilo de corte.

Cuando el protector para flores se desliza hacia abajo, se puede usar como una guía para conocer la distancia hacia las plantas, postes y rejas cercanas.

CÓMO ESTIRAR EL HILO UTILIZANDO LA ALIMENTACIÓN AUTOMÁTICA

NOTA: La orilladora posee un cabezal con alimentación automática. NO golpee el cabezal para hacer que el hilo se estire, ya que esto dañará a la orilladora y anulará la garantía.

- Con la orilladora funcionando, pero NO cortando, suelte el gatillo interruptor.
- Espere dos segundos y pulse el gatillo interruptor.

NOTA: El hilo se extenderá aproximadamente 3/16 de pulgada con cada detención y encendido del gatillo, hasta alcanzar el largo de la hoja de corte del hilo.

- Vuelva a cortar.

CÓMO ESTIRAR LOS HILOS DE FORMA MANUAL

Consulte la Figura 1.

NOTA: Si necesita estirar el hilo, utilice el botón de avance que se encuentra en el costado del cabezal de corte.

- Suelte el gatillo interruptor para detener la orilladora y desenchúfela.
- Suelte el botón de avance manual y jale uno o ambos hilos. Los hilos avanzarán 3/16 de pulgada y se detendrán. Presione nuevamente el botón para sacar más hilo.
- Presione el botón y tire de los hilos cuantas veces sea necesario, para así alcanzar la hoja de corte. Avance siempre ambas líneas en la misma cantidad.

CÓMO GIRAR LA MANILLA PRINCIPAL PARA CORTAR BORDES

Consulte la Figura 14.

NOTA: El mejor método para cortar bordes se realiza con la manilla principal girada.

- Desenchufe la orilladora.
- Presione el botón de bloqueo de giro y gire la manilla principal hacia la derecha.
- Suelte el botón cuando la manilla haya girado en 180° hacia la posición de corte de bordes.

CORTE DE BORDES

Consulte la Figura 15-16.


- La manilla giratoria principal se puede usar en combinación con la protección para flores a fin de cortar bordes en senderos y veredas. Para usar la protección para flores, sáquela desde su posición de almacenamiento.

CUIDADO Y MANTENIMIENTO

Su orilladora ha sido diseñada para funcionar durante un largo periodo de tiempo, con un mínimo de mantenimiento. La operación continua satisfactoria depende de un cuidado adecuado de la herramienta y una limpieza regular.

 **¡ADVERTENCIA!** Antes de realizar mantenimiento, apague y desenchufe la herramienta.

- Limpie regularmente la ranura de ventilación de su orilladora, utilizando un cepillo suave o paño seco.
- Limpie regularmente el hilo de corte y carrete, utilizando un cepillo suave o paño seco.
- Utilice regularmente una espátula lisa para sacar el pasto y suciedad desde la parte inferior del protector.

 **¡ADVERTENCIA!** Al realizar mantenimiento, utilice solo piezas de repuesto idénticas. El uso de otras piezas podría generar un peligro o dañar al producto.

CAMBIO DEL CARRETE

Consulte la Figura 17.

- Utilice solo hilo monofilamento redondo de .065" de diámetro. Para obtener el mejor desempeño, utilice el hilo de repuesto original del fabricante.
- Desenchufe la orilladora.
- Empuje las pestañas del costado de la tapa del carrete.
- Jale la tapa del carrete para quitarla.
- Saque el carrete.
- Para instalar el nuevo carrete, asegúrese de que los dos hilos estén colocados en las ranuras opuestas entre sí. Asegúrese de que cada hilo se extienda aproximadamente a 6 pulgadas de cada ranura.
- Instale el nuevo carrete de manera tal que los hilos y las ranuras se alineen con los ojales del cabezal de hilo. Pase los hilos por los ojales.
- Jale los hilos extendiéndolos desde el cabezal, de manera tal que el hilo se salga de las ranuras del carrete.
- Coloque la tapa del carrete presionando las pestañas hacia las ranuras del cabezal de hilo y empujando el carrete hasta que la tapa haga "clic" y calce en su lugar.

NOTA: El carrete de repuesto está disponible en SEARS, bajo el número de pieza 71.99006

CAMBIO DEL HILO

Consulte la Figura 18.

- Desenchufe la orilladora.
- Saque el carrete desde el cabezal de hilo.

NOTA: Saque cualquier resto de hilo antiguo desde el carrete. Corte dos trozo de hilo, cada uno de aproximadamente 2,7 m (9 pies) de largo. Utilice solo hilo monofilamento de 1,65 mm (.065 pulgadas) de diámetro.

- Inserte el primer hilo en el orificio de anclaje que se encuentra en la parte superior del carrete. Enrolle el primer hilo en la parte superior del carrete en dirección a la derecha, como lo indican las flechas del carrete. Coloque el hilo en la ranura de la brida superior del carrete, dejando unos 152 mm (6 pulgadas) extendidos más allá de la ranura. No coloque más de la cuenta. Después de enrollar el hilo, debe haber al menos 6 mm (1/4 de pulgada) entre el hilo bobinado y el borde externo del carrete.
- Repita el paso anterior con el segundo hilo, utilizando la parte inferior del carrete y el orificio de anclaje inferior. No coloque más de la cuenta.
- Instale el carrete en el cabezal de hilo y coloque la tapa del carrete según se indica en Cambio del carrete.

 **¡ADVERTENCIA!** Utilice solo el tipo adecuado de hilo de corte.

ALMACENAJE DE LA ORILLADORA

- Limpie todos los materiales externos de la orilladora.
- Almacene en un lugar alejado del alcance de los niños.
- Manténgalo alejado de agentes corrosivos como los productos químicos para el jardín y las sales descongelantes.

RESOLUCIÓN DE PROBLEMAS

Si su orilladora no funciona correctamente, consulte primero la siguiente tabla de resolución de problemas.

Si la solución al problema de su orilladora no aparece en la información de resolución de problemas, lleve la orilladora con un concesionario de servicio calificado para que la inspeccione y repare, de ser necesario.

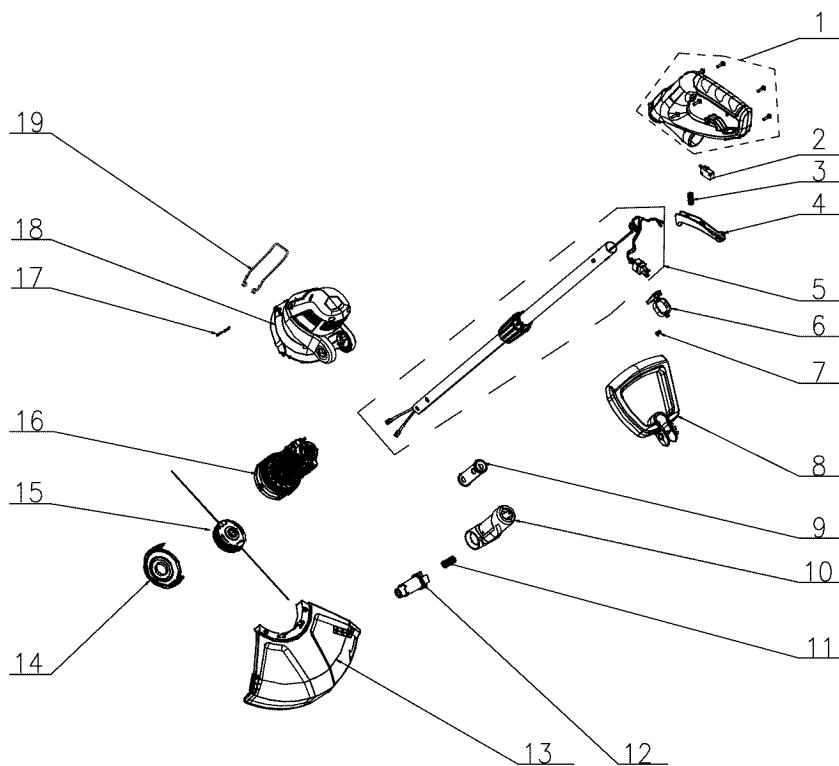
 **¡ADVERTENCIA!** Antes de proceder, apague y desenchufe.

PROBLEMA	POSIBLE CAUSA	SOLUCIÓN
Los hilos no se alargan al seguir las instrucciones.	1. Los hilos se han atascado debido al calor o tiempo de almacenamiento.	1. Desenchufe la orilladora. Abra la tapa del carrete. Saque el carrete. Saque el hilo y enróllelo en el carrete.
	2. No hay suficiente hilo en el carrete.	2. Desenchufe la orilladora. Abra la tapa del carrete. Saque el carrete y coloque hilo nuevo o un carrete nuevo, siguiendo las instrucciones de este manual.
	3. Los hilos están enredados en el carrete.	3. Desenchufe la orilladora. Abra la tapa del carrete. Saque el carrete. Desenrolle y saque el hilo enredado. Desenrolle el hilo siguiendo las instrucciones de este manual.
Se enrolla pasto en la carcasa del eje motriz y en el cabezal del hilo.	1. Cómo cortar pasto alto a nivel del suelo.	1. Corte el pasto desde la parte superior hacia abajo, a fin de evitar que se enrede.
El motor no enciende al presionar el gatillo.	1. El cable de alimentación no está conectado o la conexión está suelta.	1. Conecte el cable de alimentación.
	2. El automático de la casa está activado.	2. Revise el diferencial del circuito.
		3. Pruebe con otro alargador o conecte otro receptáculo en un circuito diferente.

ORILLADORA CRAFTSMAN DE 13 PULGADAS, MODELO NÚMERO:
151.30378

El número de modelo se encuentra en la etiqueta adjunta a la carcasa del motor.

PARA ADQUIRIR PIEZAS DE REPUESTO, LLAME AL 1-888-331-4569



**ORILLADORA CRAFTSMAN DE 13 PULGADAS, MODELO NÚMERO:
151.30378**

El número de modelo se encuentra en la etiqueta adjunta a la carcasa del motor.

PARA ADQUIRIR PIEZAS DE REPUESTO, LLAME AL 1-888-331-4569

N° DE ARTÍCULO	N° DE PIEZA	DESCRIPCIÓN	CANT.
1	GT81FM.00.01.X1.01	Conjunto de piezas de la manila principal	1
2	WODQ10.02.11	Interruptor	1
3	TOTHYY.05.08	Resorte	1
4	GT01FM.00.03	Botón interruptor	1
5	GT81FM.10.10.X1.01	Conjunto de piezas del tubo de aluminio	1
6	GT70RM.00.06	Botón del tubo de aluminio	1
7	TOTHYY.06.09	Resorte	1
8	GT81FM.30.01.X1.01	Conjunto de piezas de la manilla auxiliar	1
9	GT81FM.10.04	Almohadilla de goma	1
10	GE61DC.10.01.X1.01	Conjunto de piezas de soporte del cuello pivotante.	1
11	TOTHYY.03.12	Resorte accionador del pivote	1
12	GE61DC.00.05	Botón accionador del pivote	1
13	GT81FM.40.00	Conjunto de piezas del protector de seguridad, incluyendo hoja de corte de hilo	1
14	GT15FM.20.01	Tapa del carrete	1
15	GT80FM.60.10	Carrete de corte con hilo	1
16	TM6558.00.00.X2.01	Conjunto de piezas del motor	1
17	GT30FM.00.07	Almohadilla de goma	2
18	GT81FM.20.01.X1.01	Conjunto de piezas de la carcasa del motor	1
19	GT80FM.00.01	Protector para flores	1

CRAFTSMAN®

Product questions or problems?

1-888-331-4569

Customer Care Hot Line

**Get answers to questions, troubleshoot problems,
order parts, or schedule repair service.**

Para respuestas a preguntas o problemas, y ordenar
piezas o pedir servicio para la reparación de su equipo.

To help us help you, register your product at www.craftsman.com/registration

Para poderte ayudar mejor, registra tu producto en www.craftsman.com/registration

Join the Craftsman Club today!

CRAFTSMAN® CLUB

www.craftsman.com/signup

**Receive exclusive member benefits including special pricing and offers,
project sharing, expert advice, and SHOP YOUR WAY REWARDS!**

Como miembro exclusivo, recibe diversos beneficios como ofertas, precios especiales, proyectos nuevos, consejos de expertos y nuestro programa de puntos SHOP YOUR WAY REWARDS!

® Registered Trademark / ™ Trademark of KCD IP, LLC in the United States, or Sears Brands, LLC in other countries

® Marca Registrada / ™ Marca de Fábrica de KCD IP, LLC en Estados Unidos, o Sears Brands, LLC in otros países