



FRENCH DOOR BOTTOM MOUNT REFRIGERATOR OWNER'S MANUAL

Table of Contents

REFRIGERATOR SAFETY	4
Refrigerator Safety	4
Proper Disposal of Your Old Refrigerator	5
REFRIGERATOR CARE	6
Cleaning	6
Lights	7
Refrigerator Shelves	7
Opening and Closing Doors	8
Holiday and Moving Care	9
INSTALLATION INSTRUCTIONS	9
Getting Started	9
Unpack the Refrigerator	10
Location Requirements	10
Electrical Requirements	11
Leveling and Door Adjustment	12
Water Supply Requirements	12
Connect the Water Supply	13
Complete the Installation	14
USING THE CONTROLS	15
Using the Controls	15
Sabbath Mode	17
REFRIGERATOR USE	17
Water and Ice Dispensers (on some models)	17
Ice Maker and Storage Bin (on some models)	19
Internal Water Operation (on some models)	19
Filters And Accessories	20
DOOR AND HANDLE INSTRUCTIONS	22
Remove And Replace Refrigerator Doors	22
Remove and Replace Freezer Door	25
Handle Installation and Removal	27
Shelves, Bins And Drawers	28
Freezer Storage Compartments	29
PERFORMANCE DATA SHEET	30

MANUEL D'UTILISATION DU RÉFRIGÉRATEUR À PORTE À DOUBLE BATTANT ET CONGÉLATEUR EN BAS

Table des matières

SÉCURITÉ DU RÉFRIGÉRATEUR	34
Sécurité du réfrigérateur.....	34
Pour éliminer correctement votre ancien réfrigérateur	35
ENTRETIEN DU RÉFRIGÉRATEUR	36
Nettoyage	36
Éclairages.....	37
Clayettes du réfrigérateur.....	37
Ouverture et fermeture des portes	38
Préparer les vacances et déménagements.....	39
INSTRUCTIONS D'INSTALLATION	39
Pour commencer	39
Déballer le réfrigérateur.....	40
Exigences relatives à l'emplacement	40
Exigences électriques	41
Mise de niveau et alignement des portes	42
Alimentation en eau requise	42
Raccordement de l'alimentation en eau	43
Terminer l'installation.....	44
UTILISATION DES COMMANDES.....	45
Utilisation des commandes	45
Mode Sabbat	47
UTILISATION DU RÉFRIGÉRATEUR	47
Distributeurs d'eau et de glace (sur certains modèles)	47
Machine à glaçons et bac de rangement (sur certains modèles).....	49
Fonctionnement de l'eau interne (sur certains modèles).....	49
Filtres et accessoires.....	50
INSTRUCTIONS POUR LA PORTE ET LA POIGNÉE.....	52
Retirer et remettre les portes du réfrigérateur	52
Retirer et remettre les portes du congélateur	55
Installation et retrait des poignées.....	57
Clayettes, bacs et tiroirs	58
Compartiments de rangement du congélateur	59
FICHE DE DONNÉES DE PERFORMANCES	60

MANUAL DE INSTRUCCIONES DEL REFRIGERADOR CON PUERTA INFERIOR ESTILO FRANCÉS

Tabla de contenido

SEGURIDAD DEL FRIGORÍFICO	65
Seguridad del frigorífico	65
Eliminación adecuada del frigorífico antiguo	66
CUIDADO DEL FRIGORÍFICO	67
Limpieza	67
Luces	68
Baldas del frigorífico	68
Abrir y cerrar las puertas	69
Cuidado por vacaciones y mudanzas	70
INSTRUCCIONES DE INSTALACIÓN	70
Procedimientos iniciales	70
Desembalar el frigorífico	71
Requisitos de emplazamiento	71
Requisitos eléctricos	72
Nivelación y alineación de las puertas	73
Requisitos del suministro de agua	73
Conectar el suministro de agua	74
Complete la instalación	75
UTILIZAR LOS CONTROLES	76
Utilizar los controles	76
Modo Sábado	78
USO DEL FRIGORÍFICO	78
Dispensadores de agua e hielo (en algunos modelos)	78
Máquina de fabricación de hielo y depósito de almacenamiento (en algunos modelos)	80
Funcionamiento interno del agua (en algunos modelos)	80
Filtros y accesorios	81
INSTRUCCIONES PARA LA PUERTA Y EL TIRADOR	83
Desmontar y volver a colocar la puerta del frigorífico	83
Desmontar y volver a colocar la puerta del congelador	86
Instalación y desinstalación de los tiradores	88
Baldas, recipientes y cajones	89
Compartimentos de almacenamiento del congelador	90
HOJA DE DATOS DE RENDIMIENTO	91

REFRIGERATOR SAFETY

Refrigerator Safety

Your safety and the safety of others are very important.

We have provided many important safety messages in this manual and on your appliance. Always read and obey all safety messages.



This is the safety alert symbol.

This symbol alerts you to potential hazards that can kill or hurt you and others.

All safety messages will follow the safety alert symbol and either the word "DANGER" or "WARNING." These words mean:

⚠ DANGER

You can be killed or seriously injured if you don't immediately follow instructions.

⚠ WARNING

You can be killed or seriously injured if you don't follow instructions.

All safety messages will tell you what the potential hazard is, tell you how to reduce the chance of injury, and tell you what can happen if the instructions are not followed.

IMPORTANT SAFETY INSTRUCTIONS

WARNING: To reduce the risk of fire, electric shock, or injury to persons when using your appliance, follow basic precautions, including the following:

- Children should be supervised to ensure that they do not play with the appliance.
- This appliance is not intended for use by persons (including children) with reduced physical, sensory, or mental capabilities, or lack of experience and knowledge, unless they have been given supervision or instruction concerning use of the appliance by a person responsible for their safety.
- Do not use an extension cord.
- If power supply cord is damaged, it must be replaced by the manufacturer, its service agent, or a similarly qualified person in order to avoid a hazard.
- Connect to potable water supply only.
- This appliance is intended to be used in household and similar applications such as: staff kitchen areas in shops, offices, and other working environments; farm houses and by clients in hotels, motels, and other residential-type environments; bed and breakfast-type environments; and catering and similar non-retail applications.
- Do not store explosive substances such as aerosol cans with a flammable propellant in this appliance.
- Use the new hose-sets supplied with the appliance and that old hose-sets should not be reused.
- Do not use replacement parts that have not been recommended by the manufacturer (e.g., parts made at home using a 3D printer).
- Keep ventilation openings, in the appliance enclosure or in the built-in structure, clear of obstruction.
- Do not use mechanical devices or other means to accelerate the defrosting process, other than those recommended by the manufacturer.
- Do not damage the refrigerant circuit.
- Do not use electrical appliances inside the food storage compartments of the appliance, unless they are of the type recommended by the manufacturer.
- Ice maker kit can be added to some models. See serial tag inside the food compartment of appliance for ice maker kit model information.
- A qualified service technician must install the water line and ice maker. See installation instructions supplied with ice maker kit for complete details.
- When positioning the appliance, ensure the supply cord is not trapped or damaged.
- Do not locate multiple portable socket-outlets or portable power supplies at the rear of the appliance.

SAVE THESE INSTRUCTIONS

Proper Disposal of Your Old Refrigerator

WARNING: Risk of child entrapment. Before you throw away your old refrigerator or freezer:

- Take off the doors.
- Leave the shelves in place so that children may not easily climb inside.

⚠WARNING

Suffocation Hazard

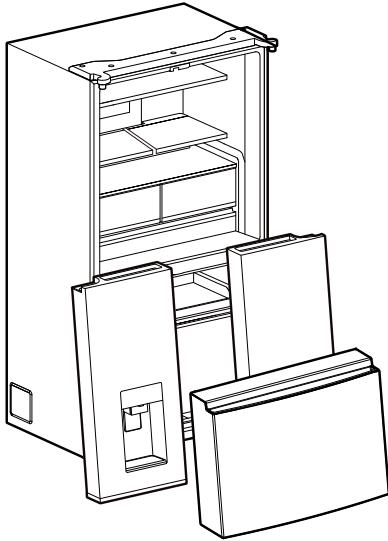
Remove doors or lid from your old appliance.

Failure to do so can result in death or brain damage.

IMPORTANT: Child entrapment and suffocation are not problems of the past. Junked or abandoned freezers or refrigerators, are still dangerous, even if they will sit for “just a few days.” If you are getting rid of your old refrigerator or freezer, please follow these instructions to help prevent accidents.

Important information to know about disposal of refrigerants:


Dispose of refrigerator in accordance with Federal and Local regulations. Refrigerants must be evacuated by a licensed, EPA certified refrigerant technician in accordance with established procedures.



REFRIGERATOR CARE

Cleaning

⚠ WARNING



Explosion Hazard

Risk of Fire or Explosion.

Flammable Refrigerant Used.

Do Not Use Mechanical Devices to Defrost Refrigerator.

Do Not Puncture Refrigerant Tubing.

Both the refrigerator and freezer sections defrost automatically. However, clean both sections about once a month to avoid odor buildup. Wipe up spills immediately.

IMPORTANT:

- Because air circulates between all sections, any odors formed in one section will transfer to the other. You must thoroughly clean all sections to eliminate odors. To avoid odor transfer and drying out of food, wrap or cover foods tightly.
- Do not use abrasive or harsh cleaners such as window sprays, scouring cleansers, flammable fluids, muriatic acid, cleaning waxes, concentrated detergents, bleaches or cleansers containing petroleum products on doors and cabinet, plastic parts, interior and door liners or gaskets. Do not use paper towels, scouring pads, or other harsh cleaning tools.
- For stainless steel models, stainless steel is corrosion resistant and not corrosion-proof. To help avoid corrosion of your stainless steel, keep your surfaces clean by using the following cleaning instructions.

Cleaning the Touch Screen Display on the Dispenser Panel (on some models) :

1. Make sure the refrigerator is unplugged or the power is disconnected before wiping the screen to avoid unintentionally changing the settings.
2. Mix a solution of mild detergent in warm water. Dampen a soft, lint-free cloth with the solution and gently wipe the screen.

NOTE : Do not spray or wipe liquids directly onto the screen or over-saturate the cloth.
3. Plug in refrigerator or reconnect power.

Exterior Cleaning

IMPORTANT : Damage to smooth finish due to improper use of cleaning products or using non-recommended cleaning products is not covered under the warranty. Sharp or blunt instruments will mar the finish.

1. Unplug refrigerator or disconnect power.
2. Using a clean sponge or soft cloth and a mild detergent in warm water, wash, rinse, and thoroughly dry stainless steel and painted metal exteriors.

To keep your stainless steel refrigerator looking like new and to remove minor scuffs or marks, it is suggested that you use the manufacturer’s approved stainless steel cleaner and polish. This cleaner is for stainless steel parts only. Refer to the Quick Start Guide for ordering information.

NOTE : When cleaning stainless steel, always wipe in the direction of the grain to avoid cross-grain scratching. Do not allow the stainless steel cleaner and polish to come into contact with any plastic parts such as the trim pieces, dispenser covers, or door gaskets. If unintentional contact does occur, clean plastic part with a sponge and mild detergent in warm water. Dry thoroughly with a soft cloth.
3. Plug in refrigerator or reconnect power.

Please see the exterior cleaning information specific to your model.

Fingerprint-Resistant Stainless

Style 1: Smooth Door/Painted Metal

DO USE	DO NOT USE
<ul style="list-style-type: none"> ■ Soft, clean cloth 	<ul style="list-style-type: none"> ■ Abrasive cloths ■ Paper towels or newsprint ■ Steel-wool pads
<ul style="list-style-type: none"> ■ Warm, soapy water with a mild detergent 	<ul style="list-style-type: none"> ■ Abrasive powders or liquids ■ Window sprays ■ Ammonia ■ Acidic or vinegar-based cleaners ■ Oven cleaners ■ Flammable fluids

NOTE: Paper towels scratch and may dull the clear coat of the painted door. To avoid possible damage, use only soft, clean cloths to polish and wipe the door.



Style 2: Stainless Steel

DO USE	DO NOT USE
<ul style="list-style-type: none"> ■ Soft, clean cloth 	<ul style="list-style-type: none"> ■ Abrasive cloths ■ Paper towels or newsprint ■ Steel-wool pads
<ul style="list-style-type: none"> ■ Warm, soapy water with a mild detergent 	<ul style="list-style-type: none"> ■ Abrasive powders or liquids ■ Ammonia ■ Citrus-based cleaners ■ Acidic or vinegar-based cleaners ■ Oven cleaners
<ul style="list-style-type: none"> ■ For heavy soil, use only a manufacturer's approved stainless steel cleaner and polish 	<ul style="list-style-type: none"> ■ Abrasive powders or liquids ■ Ammonia ■ Citrus-based cleaners ■ Acidic or vinegar-based cleaners ■ Oven cleaners ■ Abrasive cloths ■ Paper towels or newsprint ■ Steel-wool pads

NOTES:

- If unintentional contact does occur, clean plastic part with a sponge and mild detergent in warm water. Dry thoroughly with a soft cloth.
- Avoid exposing stainless steel appliances to caustic or corrosive elements such as high-salt, high-moisture, or high-humidity environments. Damage due to exposure to these elements is not covered under the warranty.
- Just because a cleaner is a liquid does not mean it is nonabrasive. Many liquid cleansers formulated to be gentle on tile and smooth surfaces still damage stainless steel.
- When cleaning stainless steel, always wipe in the direction of the grain to avoid cross-grain scratching.
- Citric acid permanently discolors stainless steel. To avoid damaging the finish of your stainless steel refrigerator:
 - Do not allow these substances to remain on the finish:**
 - Mustard
 - Tomato juice
 - Marinara sauce
 - Citrus-based sauces
 - Citrus-based products


Interior Cleaning

IMPORTANT: Refrigerator shelves with under-shelf, LED lighting are not dishwasher safe.

1. Unplug refrigerator or disconnect power.
2. Hand wash, rinse, and dry removable parts and interior surfaces thoroughly. Use a clean sponge or soft cloth and a mild detergent in warm water.
3. Plug in refrigerator or reconnect power.

Condenser Cleaning

⚠ WARNING



Explosion Hazard

Risk of Fire or Explosion due to Puncture of Refrigerant Tubing.

Follow Handling Instructions Carefully.

Flammable Refrigerant Used.

There is no need for routine condenser cleaning in normal home operating environment. If the environment is particularly greasy or dusty or there is significant pet traffic in the home, the condenser should be cleaned every 6 months to ensure maximum efficiency.

1. Unplug refrigerator or disconnect power.
2. Remove the base grille.
3. Use a vacuum cleaner with a soft brush to clean the grille, the open areas behind the grille, and the front surface area of the condenser.
4. Replace the base grille when finished.
5. Plug in refrigerator or reconnect power.

NOTE: If you are unable to clean the condenser, please call for service.

Lights

The lights in both the fresh food and freezer compartments are LEDs. If the lights do not illuminate when the door is opened, call for assistance or service. Refer to the Quick Start Guide for contact information.

Refrigerator Shelves

Important information to know about glass shelves and covers:

Do not clean glass shelves or covers with warm water when they are cold. Shelves and covers may break if exposed to sudden temperature changes or impact, such as bumping. Tempered glass is designed to shatter into many small, pebble-size pieces. This is normal. Glass shelves and covers are heavy. Use both hands when removing them to avoid dropping.

The shelves in your refrigerator are adjustable to match your individual storage needs.

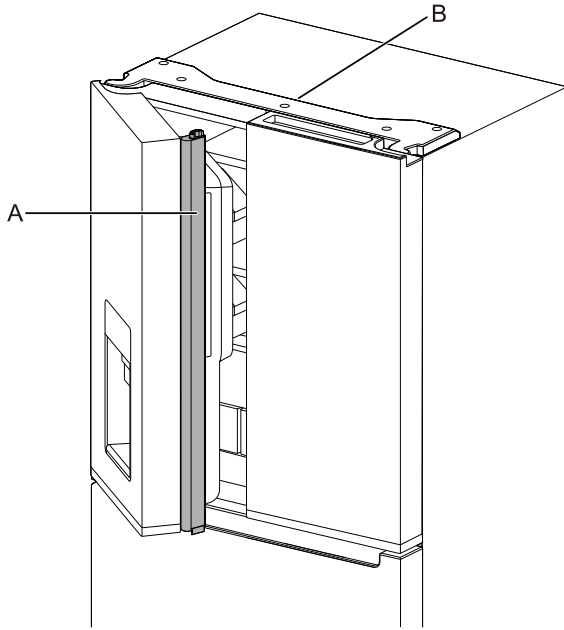
Storing similar food items together in your refrigerator and adjusting the shelves to fit different heights of items will make finding the exact item you want easier. It will also reduce the amount of time the refrigerator door is open, and save energy.

Opening and Closing Doors

There are two fresh food compartment doors. The doors can be opened and closed either separately or together. There is a vertically hinged seal on left refrigerator door.

- When left-side door is opened, hinged seal automatically folds inward so that it is out of the way.
- When both doors are closed, the hinged seal automatically forms a seal between two doors.

NOTE: When closing the door, the hinged seal should be in correct position (be bent inside). Otherwise it will hit the right door or the fixing shaft.



A. Hinged seal B. Hinge cover

The fresh food compartment door switch is located in top left and right hinge cover.

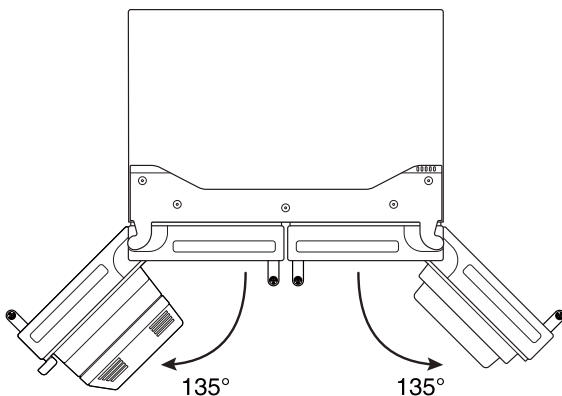
- For Freezer space, door switch is located in the bottom left support.
- The door switch uses magnet to sense door opening/closing.
- Ensure there are no magnet or electronic devices (Speaker, Coolvox® etc.) within 7.62 cm of the hinge cap.

NOTE: The light will not turn on if door opening is not detected.

Half Shelf Height Adjustment

Half shelf height can be adjusted by changing its location from bottom support to upper support and vice versa.

- Open right side door and left side door till 135°.
- Refer to “Shelves, Bins and Drawers” for detail.



The Ice Dispenser (on some models)

IMPORTANT:

- If the ice cubes are hollow or have an irregular shape, it could be because of low water pressure. See the “Water Supply Requirements” section.
- Ice travels from the ice storage bin through the dispenser chute to the dispenser. To turn off the ice maker, see the “Ice Maker and Storage Bin” section.
- The dispenser may continue to make noise and ice may continue to dispense for several seconds after releasing the dispenser button or paddle.

To Clean the Ice Dispenser Chute:

Humidity causes ice to naturally clump together. Ice particles can build up until the ice dispenser chute becomes blocked.

If ice is not dispensed regularly, it may be necessary to empty the ice storage bin and clean the ice delivery chute, the ice storage bin, and the area beneath the storage bin every 2 weeks.

- If necessary, remove the ice clogging the storage bin and delivery chute using a plastic utensil.
- Clean the ice delivery chute and the bottom of the ice storage bin using a warm, damp cloth, and then dry thoroughly.

To Dispense Ice - Paddle Dispensing

1. Select the desired type of ice by pressing CUBED ICE or CRUSHED ICE.

⚠ WARNING



Cut Hazard

Use a sturdy glass when dispensing ice.

Failure to do so can result in cuts.

2. Press a sturdy glass against the dispenser paddle. Hold the glass close to the dispenser opening, so ice does not fall outside of the glass.

IMPORTANT: You do not need to apply a lot of pressure to the paddle to activate the ice dispenser. Pressing hard will not make the ice dispense faster or in greater quantities.

3. Remove the glass to stop dispensing.

NOTE: Ice may continue to dispense for several seconds after removing the glass from the dispenser paddle. The dispenser may continue to make noise for a few seconds after dispensing.

The Dispenser Light (on some models)

- When you use the dispenser, the light will automatically turn on.

Holiday and Moving Care

Holidays

If You Choose to Leave the Refrigerator On While You're Away:

1. Use up any perishables and freeze other items.
2. Press the Mode button to choose the Vacation feature.
3. If your refrigerator has an automatic ice maker, and is connected to the household water supply, turn off the water supply to the refrigerator. Property damage can occur if the water supply is not turned off.
4. If you have an automatic ice maker, turn off the ice maker.
 - Press the ice maker off.
5. Empty the ice bin.

If You Choose to Turn Off the Refrigerator Before You Leave:

NOTE: Please power off while on Holiday.

1. Remove all food from the refrigerator.
2. If your refrigerator has an automatic ice maker:
 - Turn off the water supply to the ice maker at least one day ahead of time.
3. Empty the ice bin.
4. Clean refrigerator, wipe it, and dry well.
5. Tape rubber or wood blocks to the tops of both doors to prop them open far enough for air to get in. This stops odor and mold from building up.

NOTE: In vacation mode, the water and ice dispensers do not work.

Moving

When you are moving your refrigerator to a new home, follow these steps to prepare it for the move.

1. If your refrigerator has an automatic ice maker:
 - Turn off the water supply to the ice maker at least one day ahead of time.
 - Disconnect the water line from the back of the refrigerator.
 - When last load of ice drops, press the switch to Off (O) either on the ice maker or the control, depending on your model.
2. Remove all food from the refrigerator and pack all frozen food in dry ice.
3. Empty the ice bin.
4. Unplug refrigerator
5. Clean, wipe, and dry thoroughly.
6. Take out all removable parts, wrap them well, and tape them together so they don't shift and rattle during the move.
7. Depending on the model, raise the front of the refrigerator so it rolls more easily or raise the leveling screws so they do not scrape the floor. See the "Adjust the Doors" or "Leveling and Door Adjustment" sections.
8. Tape the doors closed and tape the power cord to the back of the refrigerator.

When you get to your new home, put everything back and refer to the "Installation Instructions" section for preparation instructions. Also, if your refrigerator has an automatic ice maker, remember to reconnect the water supply to the refrigerator.

INSTALLATION INSTRUCTIONS

Getting Started

Installation Checklist

Electrical Power

⚠ WARNING



Electrical Shock Hazard

Plug into a grounded 3 prong outlet.

Do not remove ground prong.

Do not use an adapter.

Do not use an extension cord.

Failure to follow these instructions can result in death, fire, or electrical shock.

- Plug refrigerator into a earthed socket.

Doors

- If doors need to be removed during installation, see the "Remove and Replace Refrigerator Doors" and "Remove and Replace Freezer Door Fronts" sections.
- Doors seal completely.
- Refrigerator is level. Adjust leveling feet so they are snug against the floor.
- Doors are even across the top. (Use door alignment feature if necessary).

Final Checks

- Remove all shipping material.
- Set temperature controls to the recommended setting.
- Save instructions and other literature.
- In order to receive a more complete assistance, please register your product, refer to the Quick Start Guide for more information.

Unpack the Refrigerator

⚠WARNING

Excessive Weight Hazard

Use two or more people to move and install or uninstall appliance.

Failure to do so can result in back or other injury.

Refrigerator Delivery

- A minimum door opening of 33" (838 mm) is required. If door opening is 36" (914 mm) or less, then removal of doors, drawer, and hinges is required.
- Cart the refrigerator from the side for all door openings.

Remove the Packaging

- Remove tape and glue residue from surfaces before turning on the refrigerator. Rub a small amount of liquid dish soap over the adhesive with your fingers. Wipe with warm water and dry.
- Do not use sharp instruments, rubbing alcohol, flammable fluids, or abrasive cleaners to remove tape or glue. These products can damage the surface of your refrigerator. For more information, see "Refrigerator Safety."
- Dispose of/recycle all packaging materials.

When Moving Your Refrigerator:

Your refrigerator is heavy. When moving the refrigerator for cleaning or service, be sure to cover the floor with cardboard or hardboard to avoid floor damage. Always pull the refrigerator straight out when moving it. Do not wiggle or "walk" the refrigerator when trying to move it, as floor damage could occur.

Clean Before Using

After you remove all of the packaging materials, clean the inside of your refrigerator before using it. See the cleaning instructions in "Refrigerator Care."

Important information to know about glass shelves and covers:

Do not clean glass shelves or covers with warm water when they are cold. Shelves and covers may break if exposed to sudden temperature changes or impact, such as bumping. Tempered glass is designed to shatter into many small, pebble-size pieces. This is normal. Glass shelves and covers are heavy. Use both hands when removing them to avoid dropping.

Location Requirements

⚠WARNING



Explosion Hazard

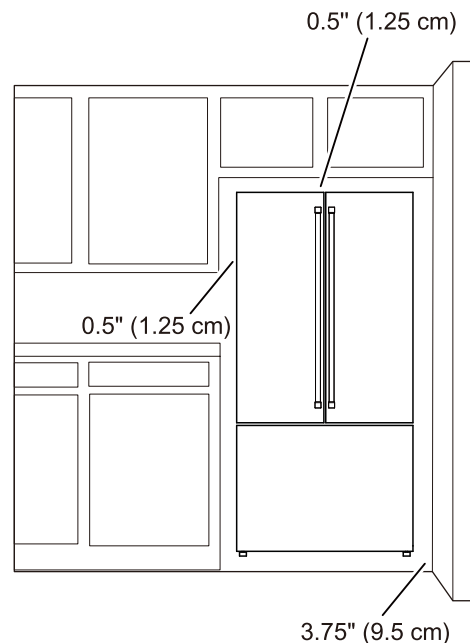
Keep flammable materials and vapors, such as gasoline, away from appliance.

Use nonflammable cleaner.

Failure to do so can result in death, explosion, or fire.


To ensure proper ventilation for your refrigerator, allow for a 0.5" (1.25 cm) space on each side and 0.5" (1.25 cm) space at the top. Allow for a 2" (5 cm) space behind the refrigerator. If your refrigerator has an ice maker, allow extra space at the back for the water line connections. When installing your refrigerator next to a fixed wall, leave a 3.75" (9.5 cm) minimum space between the refrigerator and wall to allow the door to swing open.

NOTE: This refrigerator is intended for use in a location where the temperature ranges from a minimum of 50°F (10°C) to a maximum of 110°F (43°C). The preferred room temperature range for optimum performance, which reduces electricity usage and provides superior cooling, is between 60°F (15°C) and 90°F (32°C). It is recommended that you do not install the refrigerator near a heat source, such as an oven or radiator.



Electrical Requirements

⚠ WARNING



Electrical Shock Hazard

Plug into a grounded 3 prong outlet.

Do not remove ground prong.

Do not use an adapter.

Do not use an extension cord.

Failure to follow these instructions can result in death, fire, or electrical shock.

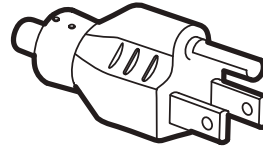
IMPORTANT: Installation and electrical connection must be carried out by a qualified technician according to the manufacturer's instructions and in compliance with the local safety regulations.

- The refrigerator is designed to operate on a separate 115 V, 60 Hz circuit.
- Make sure the voltage specified on the rating plate corresponds to that of your home.
- It must be possible to disconnect the appliance from the power supply by unplugging it or by means of a main two pole switch installed upstream of the socket.
- If the supply cord is damaged, it must be replaced by the manufacturer, its service agent or similarly qualified persons in order to avoid a hazard.
- Do not use a cord that shows cracks or abrasion damage along its length or at either the plug or connector end.

Before you move your refrigerator into its final location, it is important to make sure you have the proper electrical connection:

Recommended Earthing Method

A 115 V, 60 Hz AC only 15 A or 20 A fused, grounded electrical supply is required. It is recommended that a separate circuit serving only your refrigerator and approved accessories be provided. Use an outlet that cannot be turned off by a switch. Do not use an extension cord.



Type B

IMPORTANT: If this product is connected to a GFCI (Ground Fault Circuit Interrupter) protected outlet, nuisance tripping of the power supply may occur, resulting in loss of cooling. Food quality and flavor may be affected. If nuisance tripping has occurred, and if the condition of the food appears poor, dispose of the food.

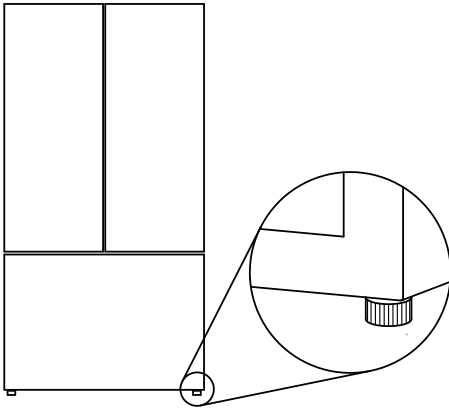
NOTE: Before performing any type of installation or cleaning, or removing a light bulb, turn cooling off or turn the control (Thermostat, Refrigerator or Freezer Control depending on the model) to Off. On models with a digital temperature control, press the minus sign touch pads repeatedly until a dash (-) appears in both the freezer and refrigerator displays. Disconnect the refrigerator from the electrical source. When you are finished, reconnect the refrigerator to the electrical source and turn cooling on or reset the control (Thermostat, Refrigerator or Freezer Control depending on the model) to the desired setting. See the "Quick Start Guide".

Leveling and Door Adjustment

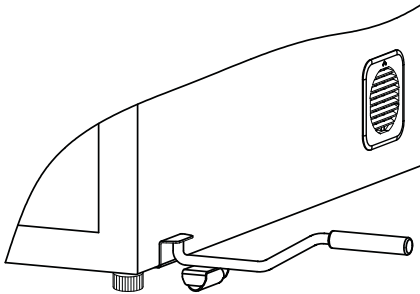
The refrigerator has two front leveling legs. Adjust the legs to alter the tilt from front-to-back or side-to-side.

Adjust the refrigerator's tilt using instructions below:

1. Turn the leveling leg to the left to raise that side of the refrigerator. To the opposite side, you can lower the refrigerator. It may take several turns to raise or lower the refrigerator.
2. The adjustment range of the leveling legs is limited. If the ground unevenness is greater than 8 mm, please call the service for help.
3. If left or right side door is lower than another side, please adjust the leveling leg to raise or lower the refrigerator.



4. Use a household tool to lift the refrigerator up as required, This will make adjusting leveling legs easier.



Water Supply Requirements

A cold water supply with water pressure between 20 psi and 145 psi (138 kPa and 1,000 kPa) is required to operate the water dispenser and ice maker. If you have questions about your water pressure, call a licensed, qualified plumber.

NOTE: If the water pressure is less than what is required, the flow of water from the water dispenser could decrease or ice cubes could be hollow or irregular shaped.

Reverse Osmosis Water Supply

IMPORTANT: The pressure of the water supply coming out of a reverse osmosis system and supplying the water inlet valve of the refrigerator needs to be between 20 psi and 145 psi (138 kPa and 1,000 kPa).

If a reverse osmosis water filtration system is connected to your home cold water supply, the water pressure to the reverse osmosis system needs to be a minimum of 40 psi to 60 psi (276 kPa to 414 kPa).

If the water pressure to the reverse osmosis system is less than 40 to 60 psi (276 to 414 kPa):

- Check to see whether the sediment filter in the reverse osmosis system is blocked. Replace the filter if necessary.
- Allow the storage tank on the reverse osmosis system to refill after heavy use. The tank capacity could be too small to keep up with the requirements of the refrigerator.

NOTE: Faucet-mounted reverse osmosis systems are not recommended.

- If your refrigerator has a water filter, it may further reduce the water pressure when used in conjunction with a reverse osmosis system. Remove the water filter. See the "Filters And Accessories" section.

If you have questions about your water pressure, call a licensed, qualified plumber.

Connect the Water Supply

Read all directions before you begin.

IMPORTANT:

- Connect to a potable water supply only.

Do not use with water that is microbiologically unsafe or of unknown quality without adequate disinfection before or after the system. Systems certified for cyst reduction may be used on disinfected waters that may contain filterable cysts.

- Plumbing shall be installed in accordance with the International Plumbing Code and any local codes and ordinances.
- Copper and PEX tubing connections from the household water line to the refrigerator are acceptable and will help avoid off-taste or odor in your ice or water. Check for leaks. If PEX tubing is used instead of copper, we recommend the following Part Numbers: W10505928 (7 ft [2.14 m] jacketed PEX), 8212547 (5 ft [1.52 m] PEX), or W10267701 (25 ft [7.62 m] PEX).
- Install tubing only in areas where temperatures will remain above freezing.

Tools Needed:

Gather the required tools and parts before starting installation.

- Flat-blade screwdriver
- 7/16" and 1/2" open-end wrenches or 2 adjustable wrenches
- 1/4" nut driver

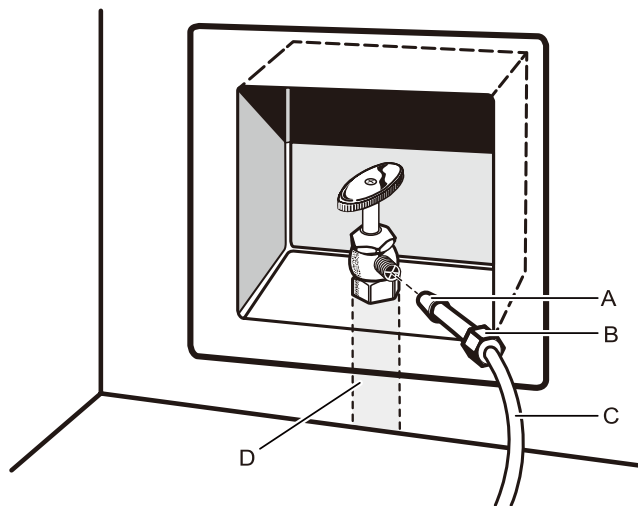
NOTE: Do not use a piercing-type or 3/16" (4.76 mm) saddle valve, which reduces water flow and clogs easier.

Connect to Water Line

IMPORTANT: If you have turned the refrigerator on before the water was connected, turn off the ice maker.

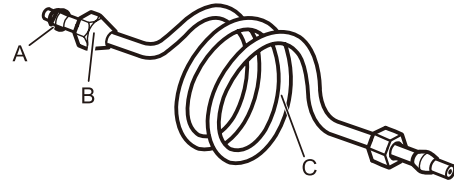
1. Unplug refrigerator or disconnect power.
2. Turn off main water supply. Turn on nearest faucet long enough to reduce water pressure in the water line.
3. Use a 3/4"-14" shut-off valve or equivalent. The refrigerator is provided with a household supply line with the installation kit that connects to the shut-off valve and to the refrigerator.

NOTE: Appliance is equipped with a water installation kit. To assure proper connection to your water supply, use proper sealing material in the connection. Check if connection is sealed properly after some hours of operation.



A. Sleeve
B. Nut
C. Copper tubing (to refrigerator)
D. Household supply line

4. Now you are ready to connect the copper or PEX tubing to the shutoff valve. Use 1/4" (6.35 mm) O.D. (outside diameter) soft copper or PEX tubing to connect the shutoff valve and the refrigerator.
 - Ensure that you have the proper length needed for the job. Be sure both ends of the copper tubing are cut square.
 - Slip compression sleeve and compression nut onto copper tubing as shown. (PEX tubing has compression sleeves and compression nuts preinstalled.) Insert end of tubing into outlet end squarely as far as it will go. Screw compression nut onto outlet end with adjustable wrench. Do not overtighten.



A. Compression sleeve
B. Compression nut
C. Copper tubing

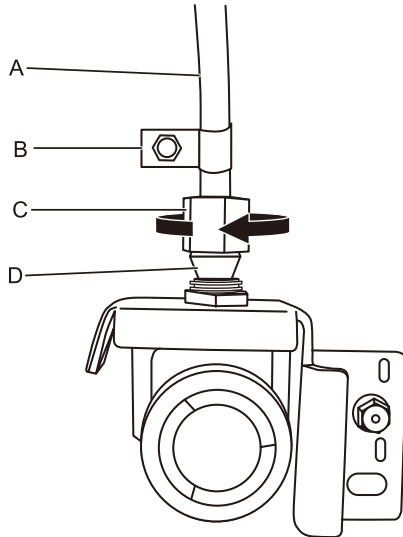
5. Place the free end of the tubing into a container or sink, and turn on main water supply to flush out tubing until water is clear. Turn off shutoff valve on the water pipe.

NOTE: Always drain the water line before making the final connection to the inlet of the water valve, to avoid possible water valve malfunction.
6. Bend the copper tubing to meet the water line inlet, located on the back of the refrigerator cabinet as shown. Leave a coil of copper tubing to allow the refrigerator to be pulled out of the cabinet or away from the wall for service.

Connect to Refrigerator

Follow the connection instructions specific to your model.

1. Remove plastic cap from water valve inlet port. Attach the copper tubing to the valve inlet using a compression nut and sleeve as shown. Tighten the compression nut. Do not overtighten. Confirm copper tubing is secure by pulling on copper tubing.
2. Create a service loop with the copper tubing. Avoid kinks when coiling the copper tubing. Secure copper tubing to refrigerator cabinet with a "P" clamp.



A. Copper tubing
B. "P" clamp

C. Compression nut
D. Compression sleeve

3. Turn on water supply to refrigerator and check for leaks. Correct any leaks.
4. If ice is desired, turn on the ice maker.
NOTE: Allow 24 hours to produce the first batch of ice. Discard the first three batches of ice produced. Allow three days to completely fill the ice storage bin.

Complete the Installation

⚠ WARNING



Electrical Shock Hazard

Plug into a grounded 3 prong outlet.

Do not remove ground prong.

Do not use an adapter.

Do not use an extension cord.

Failure to follow these instructions can result in death, fire, or electrical shock.

1. Plug into a grounded 3-prong outlet.

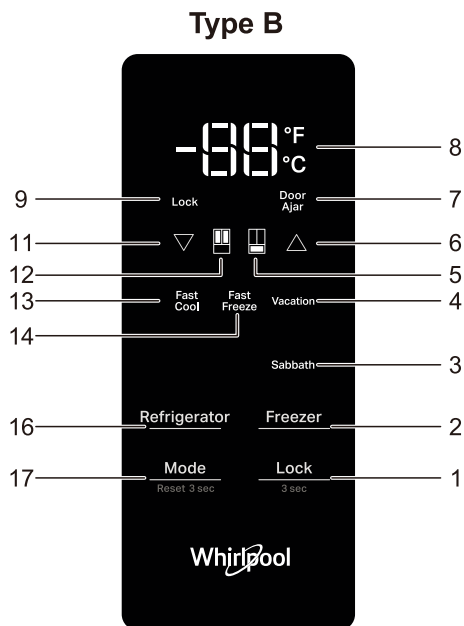
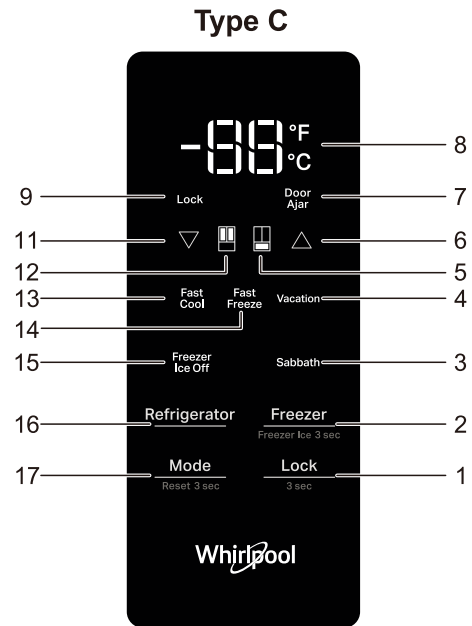
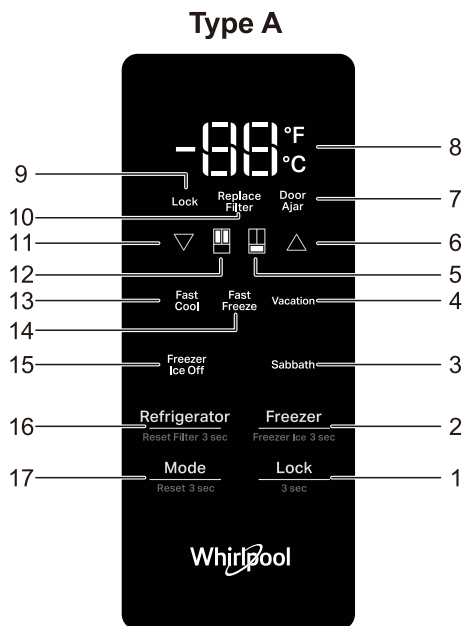
NOTE: Allow 24 hours to produce the first batch of ice.

Discard the first three batches of ice produced. Allow 3 days to completely fill the ice storage bin.

2. Flush the water system. See "Water and Ice Dispensers."

USING THE CONTROLS

Using the Controls



IMPORTANT: Before operating this appliance, make sure it has been properly installed according to the appliance's Owner's Manual.

The touch-activated controls are located on the left refrigerator door. The control panel includes information about various buttons and indicators. Refrigerator and freezer temperature indicator shows last temperature set point.

1. Lock BUTTON (Hold 3 seconds to toggle Lock)
2. Freezer BUTTON (Hold 3 seconds to toggle Freezer Ice)
3. Sabbath INDICATOR
4. Vacation INDICATOR
5. Freezer Compartment INDICATOR
6. Temperature up BUTTON
7. Door Ajar INDICATOR
8. Celsius/Fahrenheit INDICATOR
9. Lock INDICATOR
10. Replace Filter INDICATOR
11. Temperature down BUTTON
12. Refrigerator Compartment INDICATOR
13. Fast Cool INDICATOR
14. Fast Freeze INDICATOR
15. Freezer Ice Off INDICATOR
16. Refrigerator BUTTON (Hold 3 seconds to Reset Filter)
17. Mode BUTTON (Hold 3 seconds to Reset Mode)

NOTE: Refer to the options and indicators based on applicable models.

Temperature Settings

Compartment	Temperature range
Refrigerator	33° F to 42° F (1° C to 6°C)
Freezer	-5° F to 5° F (-21° C to -15°C)

When adjusting temperature set points, use the following chart as a guide:

CONDITION	TEMPERATURE ADJUSTMENT
Refrigerator too cold	Refrigerator setting 1° higher
Refrigerator too warm	Refrigerator setting 1° lower
Freezer too cold	Freezer setting 1° higher
Freezer too warm/too little ice	Freezer setting 1° lower

Viewing and Adjusting Temperature Set Points

Adjusting Fresh Food and Freezer Compartment

Temperature:

For your convenience, your refrigerator and freezer controls are preset at the factory.

When you first install your refrigerator, make sure that the controls are still set to the recommended set points. The factory recommended set points are 37°F (3°C) for the refrigerator and 0°F (-18°C) for the freezer. Pressing Temperature up button or Temperature down button will toggle temperature set points.

IMPORTANT:

- Wait 24 hours before you put food into refrigerator. If you add food before refrigerator has cooled completely, your food may spoil.

NOTE: Adjusting the set points to a colder than recommended setting will not cool compartments any faster.

- If the temperature is too warm or too cold in the refrigerator or freezer, first check the air vents to be sure they are not blocked before adjusting the controls.
- The recommended settings should be correct for normal household use. The controls are set correctly when milk or juice is as cold as you like and when ice cream is firm.

NOTE: Areas such as a garage, basement or porch may have higher humidity or extreme temperatures. You may need to adjust the temperature away from the recommended settings to accommodate for these conditions.

- Wait at least 24 hours between adjustments. Recheck the temperatures before other adjustments are made.

Mode Button

- Press the Mode button to activate the function and then press again to choose the modes: “Fast Cool”, “Fast Freeze”, “Vacation”, “Sabbath”. For example, when the Sabbath is selected, the Sabbath INDICATOR flashes, and after 3 seconds the Sabbath mode is activated, the Sabbath INDICATOR will be illuminated.
- Press and hold Mode button for 3 seconds to reset mode.

Fast Cool

The Fast Cool feature assists with periods of high refrigerator use, full grocery loads, or temporarily warm room temperatures.

- Unlock the user interface. See “Key Lock” item for details.
- To activate or turn off Fast Cool, see “Mode Button” item for details.
- When feature is activated, the Fast Cool feature will remain on for 2.5 hours unless manually turned off.

Fast Freeze

The Fast Freeze feature assists with periods of high freezer use, full grocery loads, or temporarily warm room temperatures.

- Unlock the user interface. See “Key Lock” item for details.
- To activate or turn off Fast Freeze, see “Mode Button” item for details.
- After placing fresh food in the freezer, 24 hours on Fast Freeze function is generally sufficient; After 24 hours the fast freeze function automatically deactivates.

NOTE: The Fast Cool feature and the Fast Freeze feature can be activated simultaneously.

Vacation Mode

This mode is designed to avoid your appliance from wasting energy during times when it’s not in regular use (when you are on vacation for example). By selecting this function the temperature of fresh food compartment will automatically be set to 53.6°F (12°C).

- Unlock the user interface. See “Key Lock” item for details.
- To activate or turn off Vacation Mode, see “Mode Button” item for details.

Press Mode button to choose Fast Cool or Fast Freeze will turn off the vacation feature.

IMPORTANT: If this mode is selected then all food and drinks must be removed from fresh food compartment.

Freezer Ice Maker

- Unlock the user interface. See “Key Lock” item for details.
- Press and hold 3 seconds the Freezer button to activate or deactivate the Freezer Ice maker.

When the freezer Ice maker off, the Freezer Ice icon will be illuminated.

NOTE: The default setting of Freezer ice maker is on.

Temperature Unit (°C or °F)

- Unlock the user interface. See “Key Lock” item for details.
- Press and hold “Temperature up” and “Temperature down” buttons for 3 seconds temperature unit between Degree Celsius and Degree Fahrenheit.

Door Open Alarm

- The Door Open Alarm feature sounds an alarm and blinks the “Door Ajar” icon when any of the three doors is open for 5 minutes or more.
- The alarm will repeat every 2 minutes. Close all doors to turn it off.

NOTE: To mute audible alarm while keeping the doors open, such as while cleaning inside of refrigerator, touch any button on control panel. The alarm sound will be temporarily turned off, but the Door Ajar icon will still be displayed on the control panel.

Key Lock

- Press and hold the Lock button for 3 seconds to activate lock feature.
- To deactivate lock, press and hold the Lock button for 3 seconds. The lock feature will ignore all interaction with control panel until the user unlocks the control panel. This feature is meant to avoid unintentional changing of settings.

Lighting

IMPORTANT : The lights in both the refrigerator and freezer compartments use LED technology. If the lights do not illuminate when the door or drawer is opened, call for assistance or service. Refer to the Quick Start Guide for contact information.

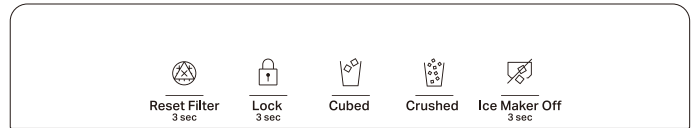
Sabbath Mode

- Unlock the user interface. See “Key Lock” item for details.
- To activate or turn off Sabbath Mode, see “Mode Button” item for details.
- The Sabbath mode stays active for 80 hours once it is activated. After that, it will be deactivated automatically.
- When the refrigerator is in Sabbath mode, the buttons, the display, and the internal lights do not function. The refrigerator and freezer, however, continue to cool.

REFRIGERATOR USE

Water and Ice Dispensers (on some models)

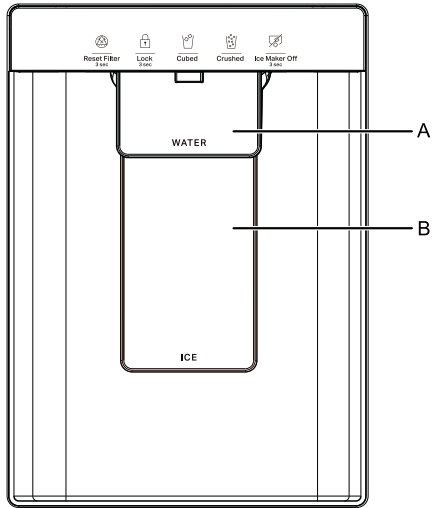
Water and Ice Control



Keypad	Feature	Instructions
Reset Filter	Filter Reset	After replacing the filter, long press 3 seconds, the filter replacement icon will go out, and the filter service life will be reset.
Lock	Lock	Press 3 seconds to lock or unlock the display.
Cubed	Ice Function	Press this button to select whole ice cubes.
Crushed	Ice Function	Press this button to select crushed ice.
Ice Maker Off	Ice Maker Off	Press and hold this button for 3 seconds to turn ON or OFF ice maker.

IMPORTANT:

- Allow 3 hours for the refrigerator to cool down and chill water.
- Allow 24 hours to produce the first batch of ice. Discard the first 3 batches of ice produced.
- The dispensing system will not operate if the left-hand refrigerator door is open.



- A. Water dispenser paddle
- B. Ice dispenser paddle

Flush the Water System

Air in the water dispensing system can cause the water dispenser to drip. After connecting the refrigerator to a water source or replacing the water filter, flush the water system.

Flushing the water dispensing system forces air from the water line and filter and prepares the water filter for use. Additional flushing may be required in some households.

NOTE: As air is cleared from the system, water may spurt out of the dispenser.

1. Using a sturdy container, depress and hold the water dispenser paddle for 5 seconds.
2. Release the dispenser paddle for 5 seconds. Repeat steps 1 and 2 until water begins to flow.
3. Once water begins to flow, continue depressing and releasing the dispenser pad (5 seconds on, 5 seconds off) until a total of 3 gallons (12 L) has been dispensed.

Dispensing

Touch CUBED or CRUSHED for your ice selection.

NOTES:

- For crushed ice, cubes are crushed before being dispensed. This may cause a slight delay when dispensing crushed ice. Noise from the ice crusher is normal and pieces of ice may vary in size.
- When changing from crushed to cubed, a few ounces of crushed ice will be dispensed along with the first cubes.

The Water Dispenser

IMPORTANT:

Dispense at least 1 qt. (1 L) of water every week to maintain a fresh supply.

If the flow of water from the dispenser decreases, it could be caused by low water pressure.

- With the water filter removed, dispense 1 cup (237 mL) of water. If 1 cup of water is dispensed in 8 seconds or less, the water pressure to the refrigerator meets the minimum requirement.
- If it takes longer than 8 seconds to dispense 1 cup (237 mL) of water, the water pressure to the refrigerator is lower than recommended. See "Water Supply Requirements" and online "Troubleshooting" for more information.

Ice Maker and Storage Bin (on some models)

IMPORTANT: To avoid low ice production and poor quality ice, flush the water system before turning on the ice maker. See the "Water Dispenser" section.

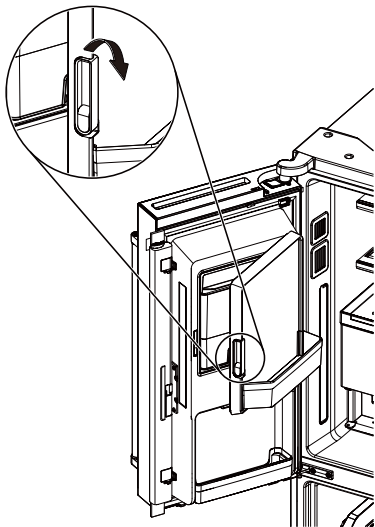
- Following installation, allow 24 hours to produce the first batch of ice. Discard the first 3 batches of ice produced. Allow 2 to 3 days to fill the ice storage bin.
- The quality of your ice will be only as good as the quality of the water supplied to your ice maker. Avoid connecting the ice maker to a softened water supply. Water softener chemicals (such as salt) can damage parts of the ice maker lead to poor quality ice. If a softened water supply cannot be avoided, make sure the water softener is operating properly and is well maintained.
- If the ice in the storage bin clumps together, break up ice using a plastic utensil and discard. Do not use anything sharp to break up the ice. This can cause damage to the ice bin and the dispenser mechanism.
- Do not store anything in the ice storage bin.
- Ice maker kits shall be installed only by the manufacturer or its service technicians.

Style 1 - Ice Maker in the Refrigerator (on some models)

The ice maker is located on the left door behind the bins. Ice cubes are ejected into the ice storage bin located on the left-hand refrigerator door.

Remove and Replace the Ice Storage Bin

To open the Ice Maker box, pull the ice maker door lever until the door releases.



- Remove the ice storage bin by inserting your fingers into the hole at the base of the bin and pulling the latch to release the bin from the compartment. Lift the storage bin up and pull it straight out.
- Replace the storage bin inside the ice compartment and push down to make sure it is firmly in place.

Ice Production Rate

- Your ice maker should produce approximately 3.5 lbs (1.6 kg) of ice per day under normal operation.

Turn the Ice Maker On/Off

- To Turn on your Ice Maker, navigate to the **Ice maker** section under **Ice Maker Off/3sec**.
- To Turn off your Ice Maker, navigate to the **Ice maker** section under **Ice Maker Off/3sec**.

NOTE:

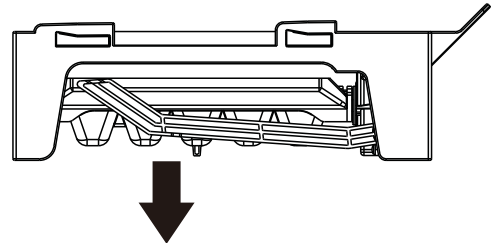
- Your ice maker has an automatic shutoff. The sensor will automatically stop ice production if the storage bin is full or the door is open. The control will remain in the On position.

Style 2 - Ice Maker in the Freezer (on some models)

The ice maker is powered on by default.

Press and hold Freezer button on user interface to manually turn the ice maker ON or OFF.

The sensor will automatically stop ice production if the storage bin is full or the door is open.



NOTE: Turn off the ice maker before removing the ice storage bin to serve ice or to clean the bin. This will keep the ice cubes from dropping out of the ice maker and into the freezer compartment. After replacing the ice storage bin, turn on the ice maker.

Wash the ice storage bin with mild soap and warm water.

Slide the ice storage bin under the ice maker and push it toward the back as far as it will go.

Ice Production Rate

Allow 24 hours to produce the first batch of ice. Discard the first three batches of ice produced.

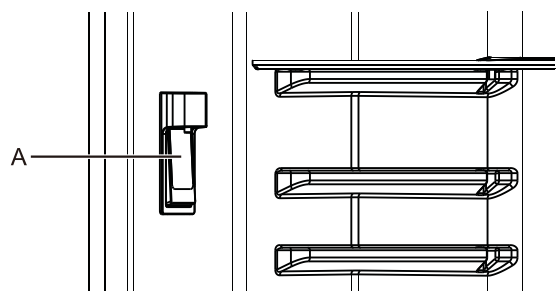
Allow 3 days to completely fill the ice storage bin. The ice maker should produce approximately 3 lbs (1.4 kg) (8 to 12 batches) of ice in a 24-hour period.

Once the ice box is full, if you want to make more ice, use an ice spatula to move the ice inside the ice box towards the door.

Internal Water Operation (on some models)

- Press and hold the water paddle to turn on water dispensing.
- Release the water paddle to turn off the water dispensing.

NOTE: Put the water cup as close as possible to the water paddle when dispensing water. Release the water paddle and wait 1 more second before moving the water cup away. Otherwise, there may be water spill out of the cup.



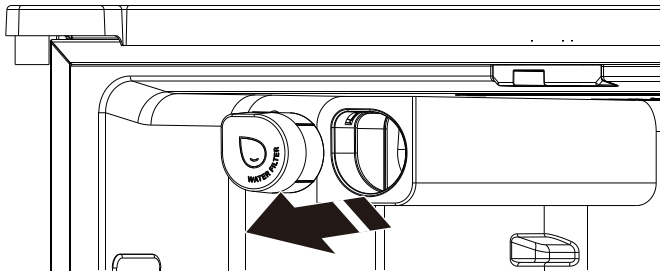
A. Water dispenser paddle

Filters And Accessories

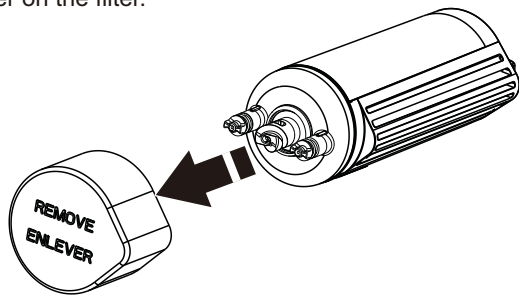
Do not use with water that is microbiologically unsafe or of unknown quality without adequate disinfection before or after the system. Systems certified for cyst reduction may be used on disinfected waters that may contain filterable cysts.

Water Filter Installation

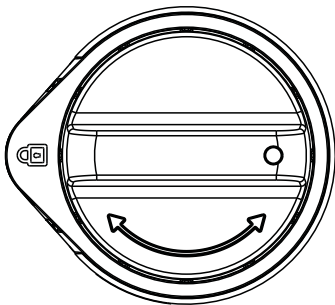
1. Locate the filter housing in the upper left corner of the refrigerator and remove the filter cover.



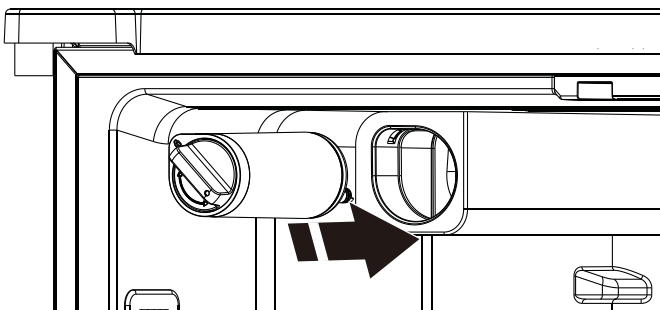
2. Take the filter out of the packaging and remove the protective cover on the filter.



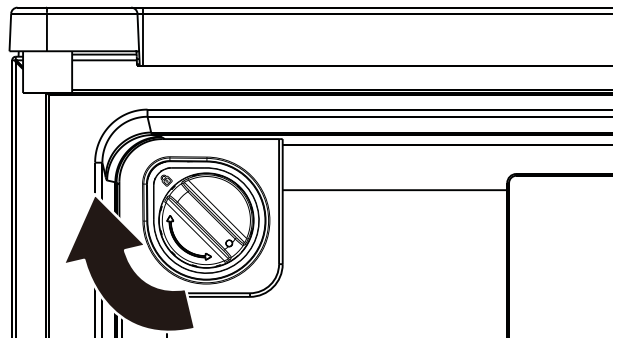
3. Make sure the locking knob is in the non-locking position.



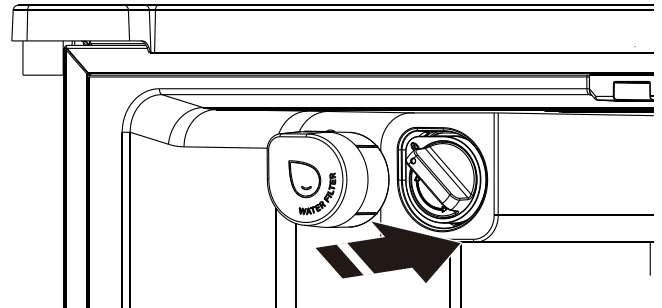
4. Insert the filter into the filter housing.



5. Turn the locking knob clockwise 180° to keep the filter locked.



6. Re-install the filter cover.



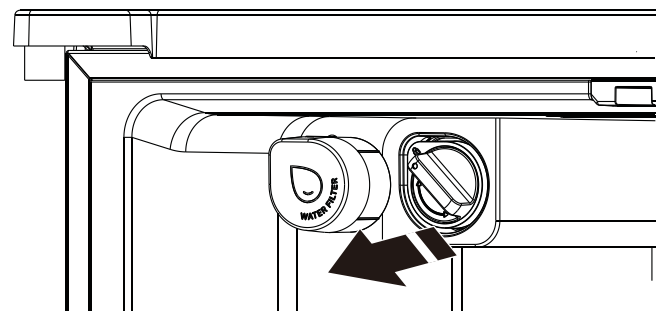
NOTE: If the filter is not installed correctly, water may dispense at a lower flow rate and there will be slower ice production. Improper filter installation may also cause the water filter housing to leak.

Replace and Install the Water Filter

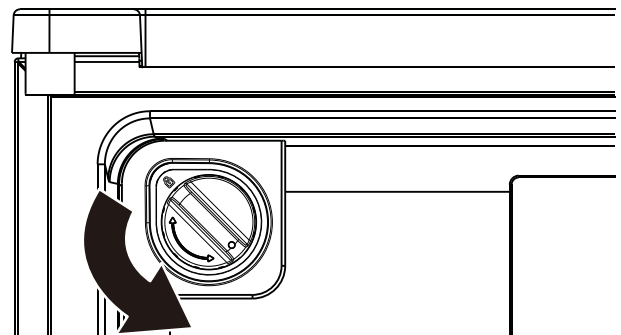
The water filter should be replaced every 6 months based on a flow rate of 0.52 gpm (1.97 lpm) that filters 200 gallons (757 L) of water.

To order a replacement filter, contact us. See the "Accessories" section in the Use and Care Guide for information on ordering.

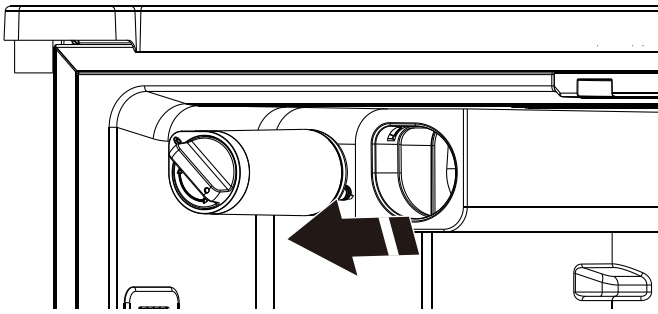
1. Locate the filter housing in the upper left corner of the refrigerator and remove the filter cover.



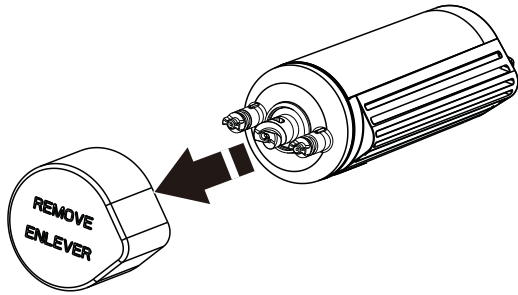
2. Turn the locking knob 180° counterclockwise so that the filter is in the non-locking state.



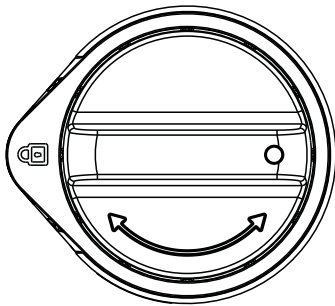
3. Remove the old filter outwards.



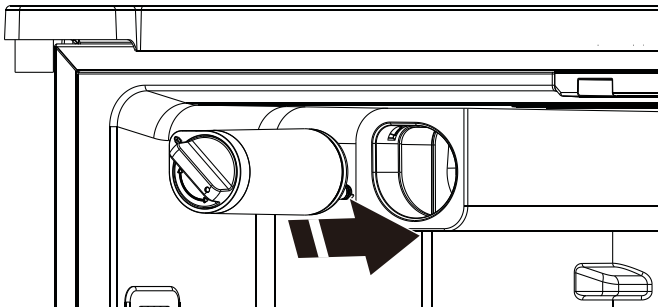
4. Pick up the new filter and remove the shield from the filter.



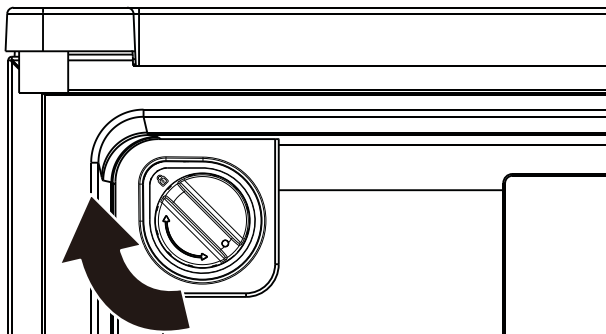
5. Make sure the locking knob is in the non-locking position.



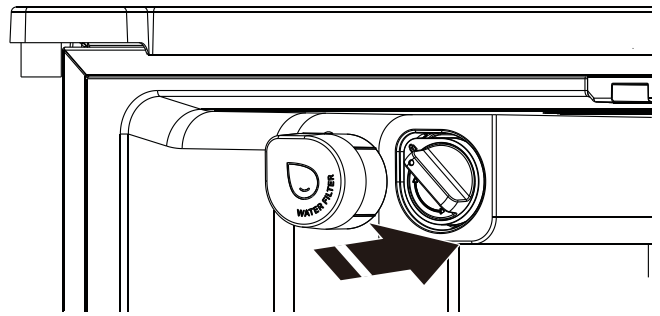
6. Insert the filter into the filter housing.



7. Turn the locking knob clockwise 180° to keep the filter locked.



8. Re-install the filter cover.



The Water Filter Status Lights

The Water Filter Status indicator displays the status of the water filter.

- The "Replace Filter" or "Reset Filter" icon (depending on the model) will illuminate and blink continuously during dispensing when the rated volume of water has passed through the filter or 6 months have passed since the filter was installed.

A new water filter should be installed immediately when the "Replace Filter" or "Reset Filter" light is illuminated.

- After 14 days at Replace Filter stage, the "Replace Filter" or "Reset Filter" icon will glow at all times and blink continuously during dispensing. Also, an alert chime will sound three times following dispensing.

The water filter should be replaced at least every 6 months.

After changing the water filter, the user needs to reset the filter status light. Press and hold the "Reset filter" or "Refrigerator" (depending on the model) button for 3 seconds to reset the Water filter status. After that, the icon "Replace Filter" or "Reset filter" will turn OFF.

NOTE: "Replace filter" will remain illuminated if the filter is not reset on the user interface(UI).

Online Ordering Information

To order a replacement filter, contact us at [www.whirlpool.com/Parts & Accessories](http://www.whirlpool.com/Parts%20&%20Accessories). See the "Quick Start Guide" for details.


DOOR AND HANDLE INSTRUCTIONS

Remove And Replace Refrigerator Doors

NOTE: Measure the width of your door opening to see whether or not you need to remove refrigerator doors to move refrigerator into your home. If door removal is necessary, see the following instructions.

IMPORTANT: If refrigerator was previously installed and you are moving it out of the home, turn refrigerator control off before you begin removing the doors. Unplug refrigerator or disconnect power. Remove food and adjustable door or utility bins from doors.

TOOLS NEEDED: 6 mm socket wrench, 5 mm socket wrench and #2 Phillips screwdriver.



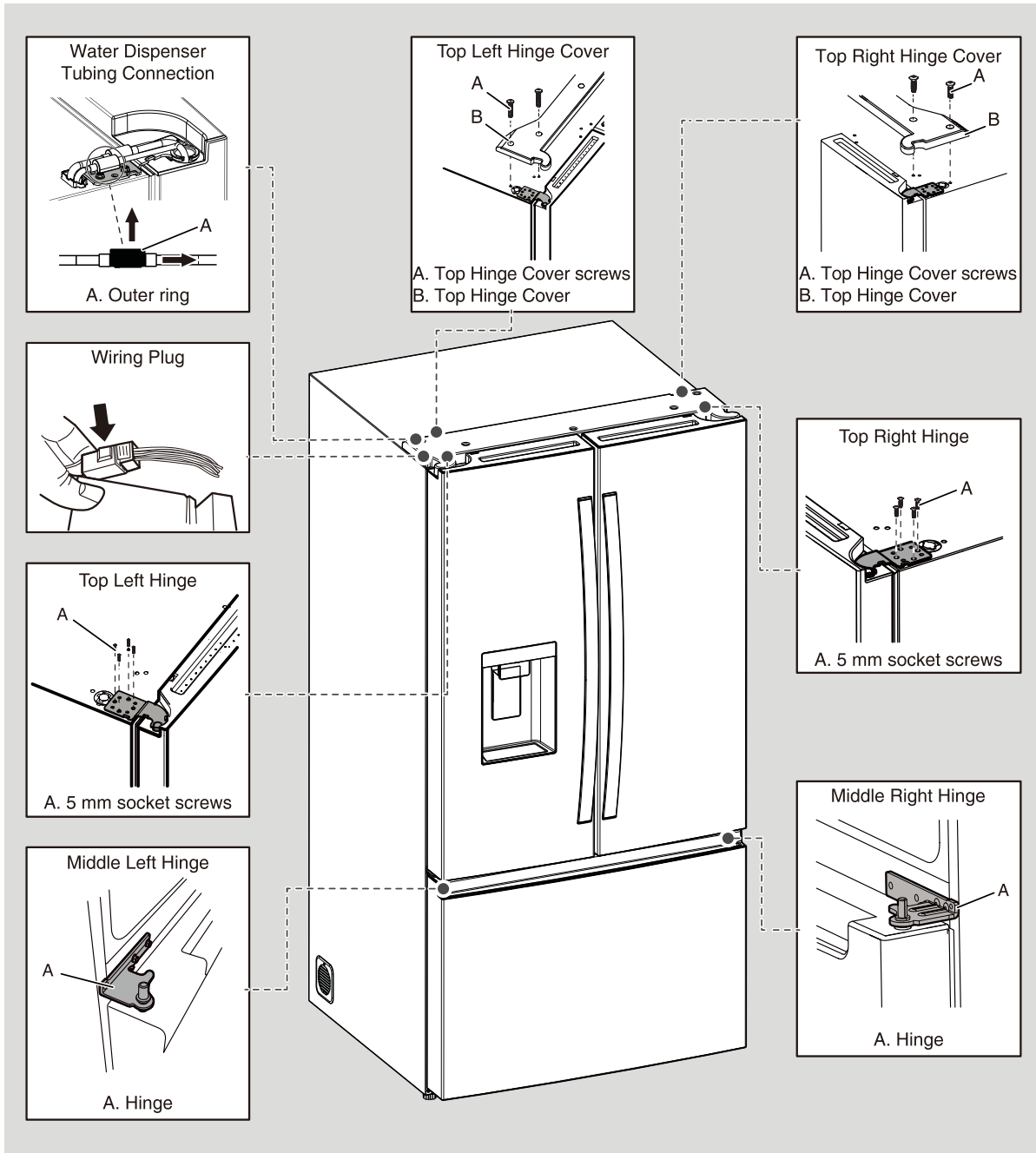
⚠ WARNING

Electrical Shock Hazard

Disconnect power before removing doors.

Failure to do so could result in death or electrical shock.

Style 1 - Ice Maker in the Left-Hand Door




Remove And Replace Refrigerator Doors

NOTE: Measure the width of your door opening to see whether or not you need to remove refrigerator doors to move refrigerator into your home. If door removal is necessary, see the following instructions.

IMPORTANT: If refrigerator was previously installed and you are moving it out of the home, turn refrigerator control off before you begin removing the doors. Unplug refrigerator or disconnect power. Remove food and adjustable door or utility bins from doors.

TOOLS NEEDED: 6 mm socket wrench, 5 mm socket wrench and #2 Phillips screwdriver.



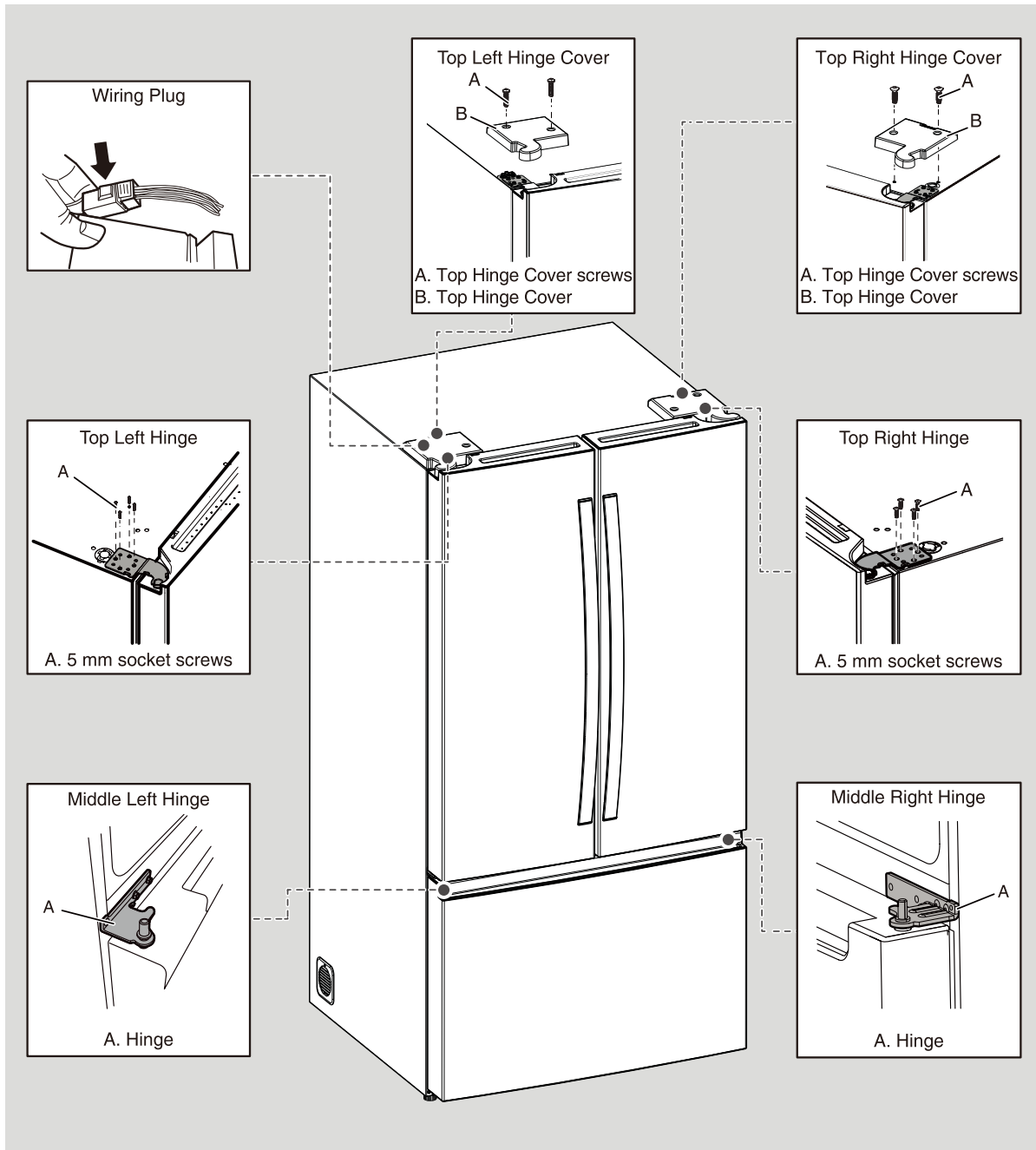
⚠ WARNING

Electrical Shock Hazard

Disconnect power before removing doors.

Failure to do so could result in death or electrical shock.

Style 2 - Non-Ice Maker in the Left-Hand Door



Remove Refrigerator Doors

⚠WARNING



Electrical Shock Hazard

Disconnect power before removing doors.

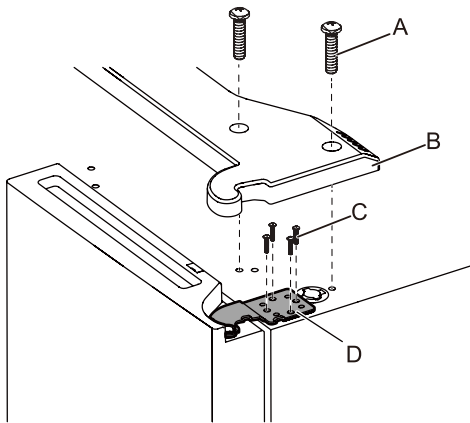
Failure to do so could result in death or electrical shock.

Remove Right-Hand Door

1. Unplug refrigerator or disconnect power.
2. Keep refrigerator doors closed until you are ready to lift them free from the cabinet.

NOTE: Provide additional support for refrigerator door while the hinges are being removed. Do not depend on the door gasket magnets to hold the door in place while you are working.

3. Using a Phillips screwdriver, remove cover from top hinge.
4. Using 5 mm socket wrench, remove four screws from top hinge and set aside.



- A. Top hinge cover screw
- B. Top hinge cover
- C. 5 mm socket screws
- D. Top hinge

⚠WARNING

Excessive Weight Hazard

Use two or more people to lift the appliance door.

Failure to do so can result in back or other injury.

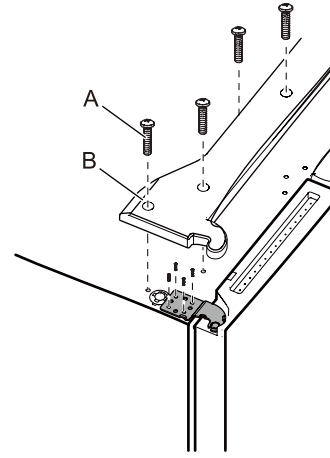
5. Lift refrigerator door from the middle hinge pin. The top hinge will come away with the door.

Remove Left-Hand Door

IMPORTANT: The wiring for UI run through left-hand door hinge, so they must be disconnected before removing the door.

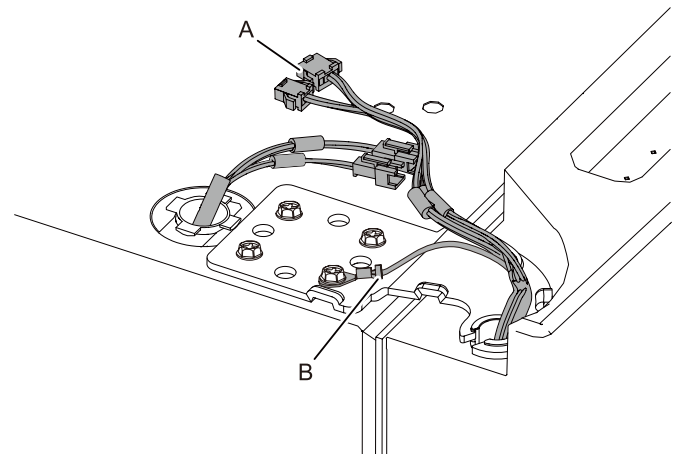
Style 1 - Ice Maker in the Left-Hand Door

1. Using a Phillips screwdriver, remove cover from top hinge.



- A. Top hinge cover screw
- B. Top hinge cover

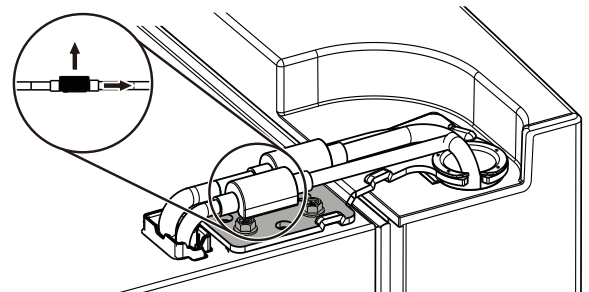
2. Disconnect two wiring plugs located on top of the door hinge.
 - Grasp each side of wiring plugs. With your left thumb, press down to release the catch and pull the sections of the plugs apart.



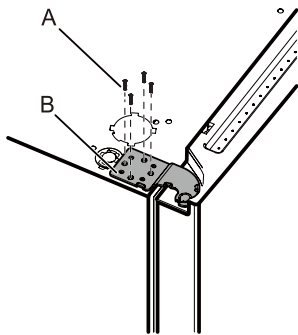
- A. Wiring Plug
- B. Ground (earth) connector

3. Disconnect the water dispenser tubing located on top of the door hinge. Firmly pull up on the clasp. Then, pull the tubing out of the fitting.

NOTE: The water dispenser tubing remains attached to the left-hand refrigerator door.



- Using 5 mm socket wrench, remove four internal screws from top hinge and set aside.



A. 5 mm socket screws
B. Top Hinge

NOTE: Provide additional support for refrigerator door while hinges are being removed. Do not depend on the door gasket magnets to hold the door in place while you are working.

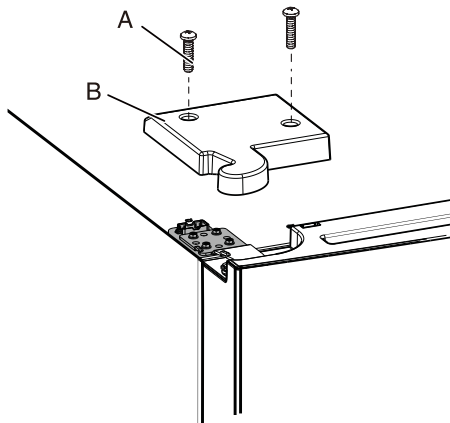
- Lift refrigerator door from bottom hinge pin. The top hinge will come away with door.

NOTE: It may not be necessary to remove brake feet assemblies to move the refrigerator through a doorway.

- Only if necessary, use 6 mm socket wrench and #2 Phillips screwdriver to remove middle hinge.

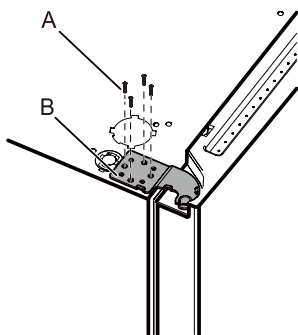
Style 2 - Non-Ice Maker in the Left-Hand Door

- Using a Phillips screwdriver, remove cover from top hinge.



A. Top hinge cover screw
B. Top hinge cover

- Using 5 mm socket wrench, remove four internal screws from top hinge and set aside.



A. 5 mm socket screws
B. Top Hinge

NOTE: Provide additional support for refrigerator door while hinges are being removed. Do not depend on the door gasket magnets to hold the door in place while you are working.

- Lift refrigerator door from bottom hinge pin. The top hinge will come away with door.

NOTE: It may not be necessary to remove brake feet assemblies to move the refrigerator through a doorway.

- Only if necessary, use 6 mm socket wrench and #2 Phillips screwdriver to remove middle hinge.

Replace Right-Hand Refrigerator Door

- Set right-hand door onto middle hinge pin.
- Insert top hinge pin into open hole in top of refrigerator door.
- Using four 5 mm socket screws, fasten hinge to cabinet. Do not tighten screws completely.

Replace Left-Hand Refrigerator Door

- Set left-hand door onto middle hinge pin.
- Using four 5 mm socket screws, fasten hinge to cabinet. Do not tighten screws completely.
- Reconnect electrical wiring.
 - Push together two sections of wiring plug.
 - Reconnect earth wire to hinge screw.

Final Steps

- Completely tighten eight 5 mm socket screws.
- Replace top hinge covers.

Remove and Replace Freezer Door

Depending on the width of your door opening, it may be necessary to remove the freezer door to move the refrigerator into your home.

IMPORTANT:

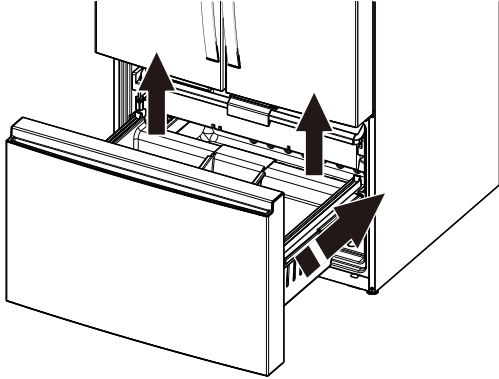
- If the refrigerator was previously installed and you are moving it out of the home, before you begin, turn the refrigerator control off, and unplug the refrigerator or disconnect power.
- Remove food and any adjustable door or utility bins from doors.
- Two people may be required to remove and replace the freezer door.

Tools Needed: Phillips screwdriver.

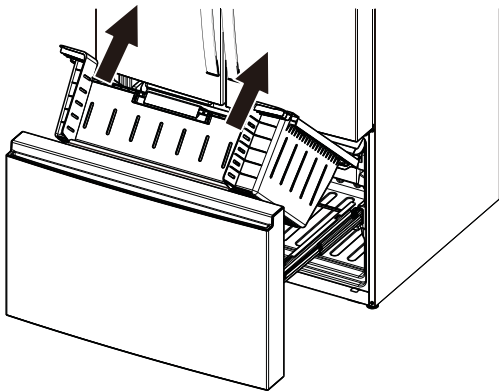
Remove And Replace The Freezer Door Or Remove The Freezer Drawer

NOTE: Whether it is removing the freezer door, replacing the freezer door, or removing the freezer drawer, you must first complete steps 1 to 3, and then select steps 4, 5, and 6 according to your needs

1. Open the freezer door to its full extension.
2. Lift the top drawer up and push it forward to the inside of the cabinet.

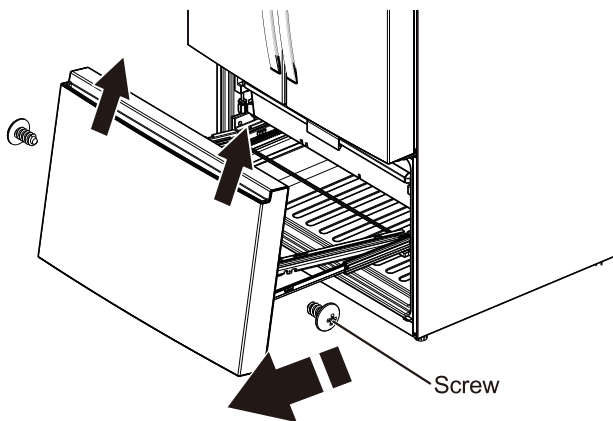


3. Take off the bottom drawer, put it outside the cabinet.



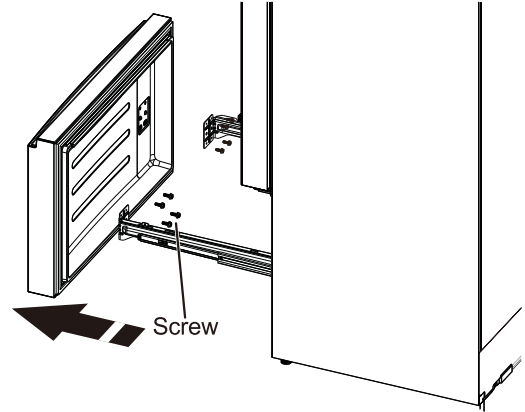
4. Remove The Freezer Door

Use a Phillips screwdriver to remove the screws connecting the freezer door to the guide rail, one screw on each side, lift the freezer door, and remove the door.



5. Replace The Freezer Door

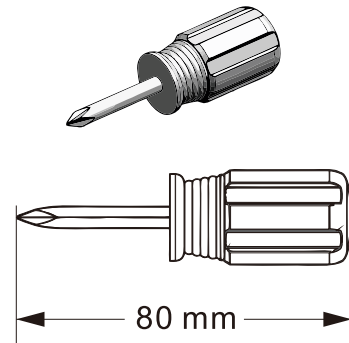
Use a Phillips screwdriver to remove four screws on each side of the door and metal support, then remove the door and replace it with a new one.



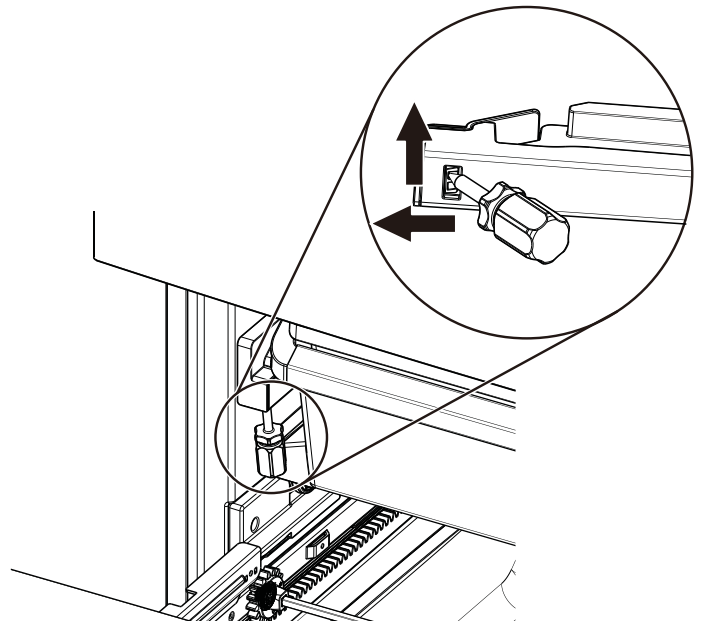
6. Remove The Freezer Top Drawer

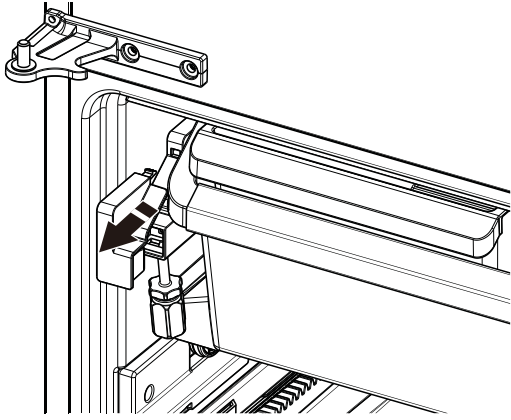
NOTE: Remove the freezer top drawer only by after-sales service professionals.

- Find a suitable Phillips screwdriver with a total length of less than 80mm.



- Put the head of the screwdriver into the buckle slot under the left stop gear, exert upward and outward forces on the buckle to release the buckle, and remove the left stop gear.





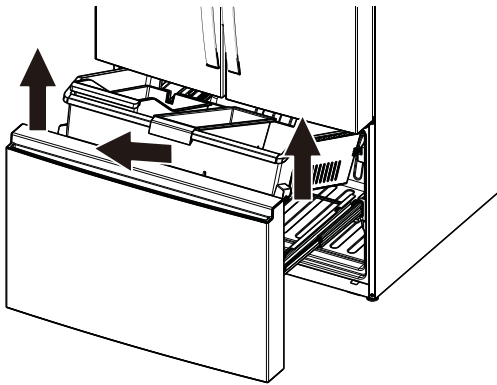
Handle Installation and Removal

Parts Included: refrigerator door handles (2), 1/4" hex head socket wrenches (1), instructions to install the handles in the doors (1).

Install Handles

NOTE: The handle kit is provided with instructions to install the handles in the doors. Please follow it carefully.

- Pull the top drawer out to the stop position and lift the drawer up and out.



Final Steps

⚠ WARNING



Electrical Shock Hazard

- Plug into a grounded 3 prong outlet.
- Do not remove ground prong.
- Do not use an adapter.
- Do not use an extension cord.
- Failure to follow these instructions can result in death, fire, or electrical shock.

1. Plug into an grounded (earthed) socket.
2. Return all removable parts and food to the drawers.

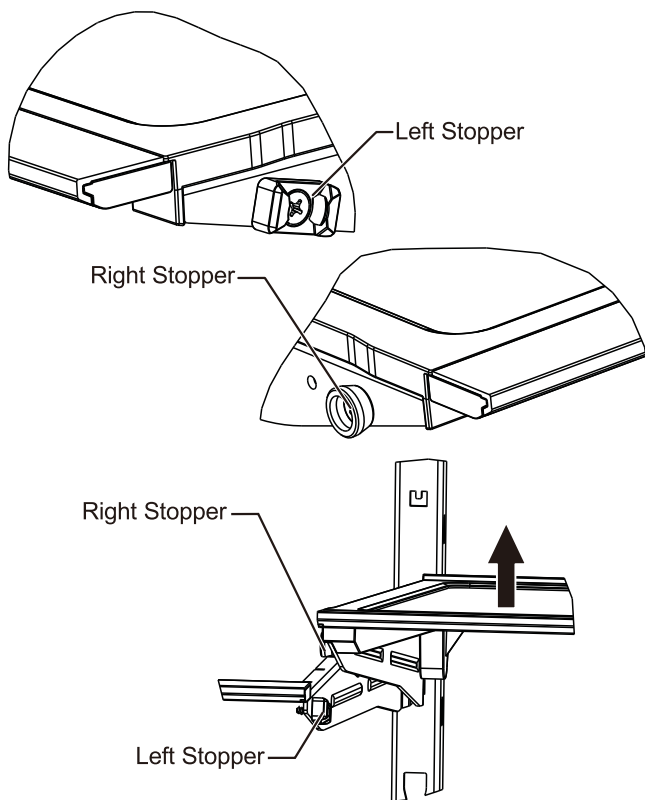
Shelves, Bins And Drawers

Shelves and Shelf Frames

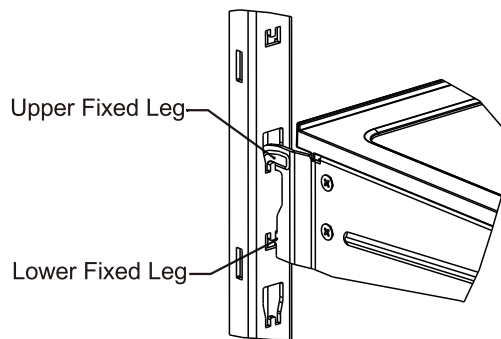
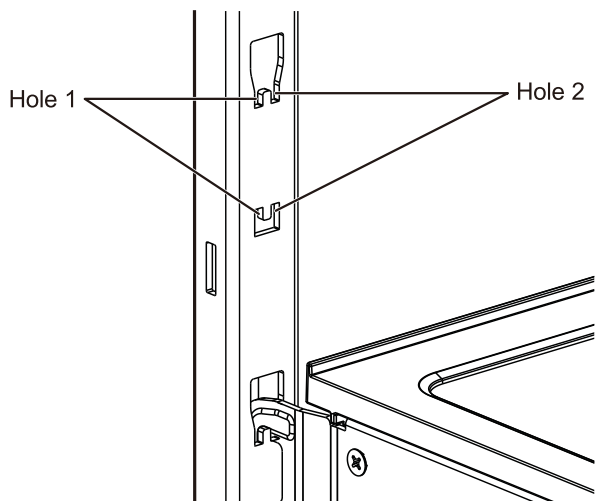
The half shelves in your refrigerator are adjustable to match your individual storage needs. Storing similar food items together in your refrigerator and adjusting the shelves to fit different heights of items will make finding the exact item you want easier. It will also reduce the amount of time the refrigerator door is open, and save energy.

To remove and replace a half shelf with shelf frame:

1. Remove the shelf by holding the front edge of left half shelf, and tilt the right half shelf up until the left and right stopper is separated.



2. Uplift the whole shelf out of the shelf supports.
3. Replace the shelf by guiding the upper fixed leg into the shelf support. Tilt the front of the shelf up until upper fixed leg drop into the shelf supports.



NOTE: Hole 1 can only be used for left half shelf support, and Hole 2 can only be used for right half shelf support, if placed incorrectly, the shelf will be unstable and can not be used.

4. Lower the front of the shelf and make sure that the lower fixed leg is in position.

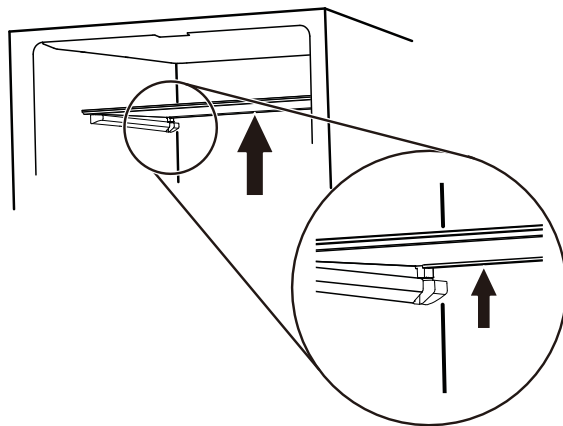
Full glass shelves

IMPORTANT:

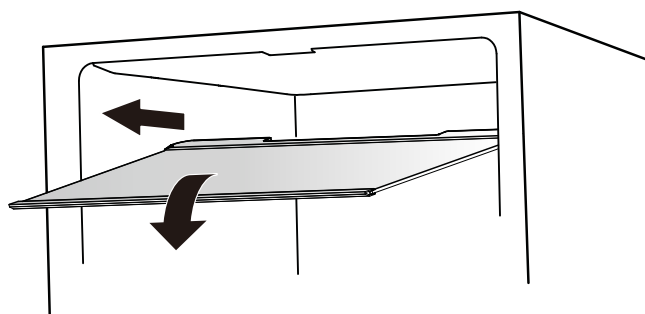
- Full glass shelf height are not adjustable.
- If you want to take out crisper glass cover, you need to remove the Refrigerator Doors first.

To remove and replace full glass shelf:

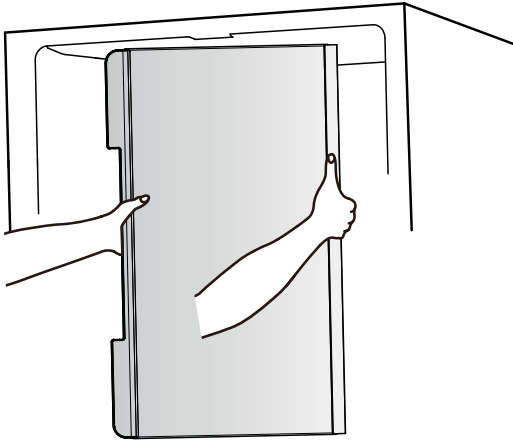
1. Hold the bottom of the glass shelf with hands and lift it up until the stopper at the rear of the shelf is free from the ribs.



2. Move the glass shelf forward and lower the front shelf down until the rear trim is out of supports.



3. Take out the shelf, and be careful not to damage the refrigerator door.
4. If step 3 isn't easy to operate, rotate the glass shelf to the position shown in the figure, and then take it out.



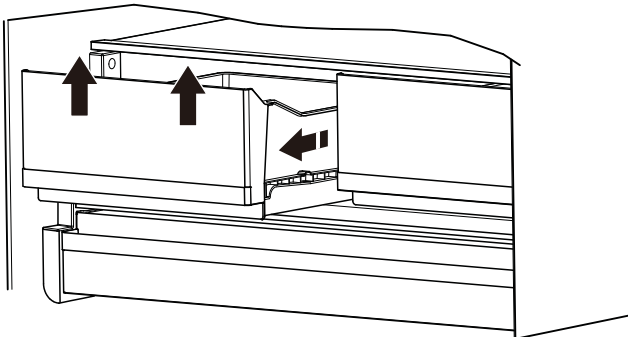
Freezer Storage Compartments

- Use these drawers to freeze a bigger amount of fresh or cooked food (in the best or in the fastest way).
- Fast Freeze option allows you to store all your frozen food.

Crisper Drawers

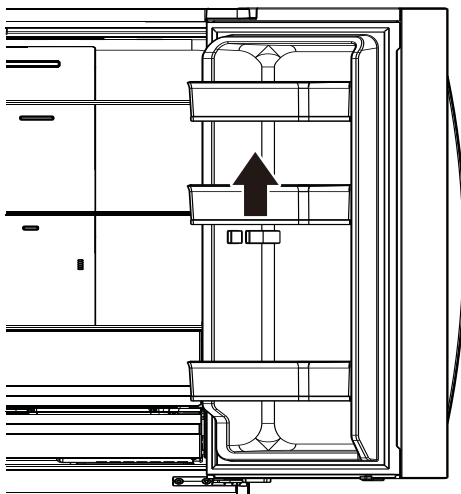
To remove and replace the drawers:

1. Grasp the handle at the bottom of the drawer and slide the drawer straight out to the stop. Lift the drawer off the bottom guide.
2. Replace the drawer by placing it on the bottom drawer guide and pushing it past the drawer stop into position.



Refrigerator Door Bins

The bins on your refrigerator door are adjustable to meet your individual storage needs. The bins make it easy to customize door storage to hold gallon containers.



PERFORMANCE DATA SHEET

Water Filtration System

Model W11569863 (PID), W11569861 (Without PID)

Replacement element model numbers: EDRARXD1/EDRARXD1B/W11536439/WHRARXD1/
WHRARXD1B/ KADARXD1/ KADARXD1B/ MAYARXD1/ MAYARXD1B/W11486187

Capacity 200 Gallons (757 Liters) with PID W11569863, 100 Gallons (379 Liters) without PID W11569861.



System tested and certified by UL LLC against NSF/ANSI Standard 42, 53, 401 and CSA B483.1 for the reduction of contaminants specified on the Performance Data Sheet.

This system has been tested according to NSF/ANSI Standards 42, 53, 401, and CSA B483.1 for the reduction of the substances listed below. The concentration of the indicated substances in water entering the system was reduced to a concentration less than or equal to the permissible limit for water leaving the system, as specified in NSF/ANSI Standards 42, 53, 401, and CSA B483.1.

Substance Reduction	Influent Challenge Concentration	Reduction Requirements	Average % Reduction	Minimum % Reduction
Aesthetic Effects				
Chlorine Taste/Odor	2.0 mg/L ± 10%	≥ 50% reduction	99.39	99
Particulate Class I*	At least 10,000 particles/mL	≥ 85% reduction	99.52	99.33
Contaminant Reduction				
Lead: @ pH 6.5 / @ pH 8.5	0.150 mg/L ± 10%	0.005 mg/L	99.29/99.84	99.07/99.46
Mercury: @ pH 6.5 / @ pH 8.5	0.006 mg/L ± 10%	0.002 mg/L	97.38/92.78	92.98/75.86
Asbestos	10 ⁷ to 10 ⁸ fibers/L††	≥ 99%	> 99	> 99
Cysts†	50,000/L min.	≥ 99.95%	≥ 99.997	> 99.997
Atrazine	0.009 mg/L ± 10%	0.003 mg/L	> 98.98	> 98.95
Benzene	0.015 mg/L ± 10%	0.005 mg/L	> 99.28	> 99.17
Carbofuran	0.080 mg/L ± 10%	0.040 mg/L	83.93	58.7
Lindane	0.002 mg/L ± 10%	0.0002 mg/L	95.22	95
P-Dichlorobenzene	0.225 mg/L ± 10%	0.075 mg/L	99.95	99.95
Tetrachloroethylene	0.015 mg/L ± 10%	0.005 mg/L	99.33	99.29
Toxaphene	0.015 mg/L ± 10%	0.003 mg/L	99.27	99.17
O-Dichlorobenzene	1.8 mg/L ± 10%	0.6 mg/L	> 99.995	> 99.995
Toluene	3.0 mg/L ± 10%	1.0 mg/L	> 99.996	> 99.996
Styrene	2.0 mg/L ± 10%	0.1 mg/L	> 99.995	> 99.993
1,2,4-Trichlorobenzene	0.210 mg/L ± 10%	0.07 mg/L	> 99.55	> 99.42
Trichloroethylene	0.3 mg/L ± 30%	0.005 mg/L	> 99.96	> 99.95
Endrin	0.006 mg/L ± 10%	0.002 mg/L	92.32	83.93
Ethylbenzene	2.1 mg/L ± 10%	0.7 mg/L	> 99.99	> 99.99
2,4 - D	0.210 mg/L ± 10%	0.07 mg/L	98.89	94.76

Turbidity	11 NTU ± 10%	0.5 NTU	98.88	98.17
Atenolol	200 ± 20%	30 ng/L	95.27	94.98
Carbamazepine	1400 ± 20%	200 ng/L	96.2	96.09
Linuron	140 ± 20%	20 ng/L	93.53	92.31
Meprobamate	400 ± 20%	60 ng/L	94.54	94.32
Trimethoprim	140 ± 20%	20 ng/L	96.27	95.94
DEET	1400 ± 20%	200 ng/L	96.32	96.21
Metolachlor	1400 ± 20%	200 ng/L	96.67	96.5
Bisphenol A	2000 ± 20%	300 ng/L	95.07	94.82
Estrone	140 ± 20%	20 ng/L	96.27	96.15
Nonylphenol	1400 ± 20%	200 ng/L	92.61	90.48
Naproxen	140 ± 20%	20 ng/L	96.09	95.83
Ibuprofen	400 ± 20%	60 ng/L	95.44	95.13
T CPP	5000 ± 20%	700 ng/L	92.78	92.59
T CEP	5000 ± 20%	700 ng/L	96.62	96.55
Phenytoin	200 ± 20%	30 ng/L	95.6	95.12
VOC**	0.300 mg/L ± 10%	0.015 mg/L	> 99.58	> 96.21

Test Parameters: pH = 7.5 ± 0.5 unless otherwise noted. Flow = 0.52 gpm (1.97 Lpm). Pressure = 60 psig (413.7 kPa). Temp. = 68°F to 71.6°F (20°C to 22°C). Rated service capacity = 200 gallons (757 liters) W11569863 with PID, 100 gallons (379 liters) W11569861 without PID.

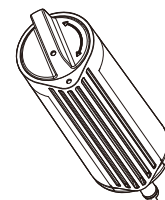
The compounds certified under NSF 401 have been deemed as “emerging compounds/incidental contaminants.” Emerging compounds/incidental contaminants compounds that have been detected in drinking water supplies at trace levels. While occurring at only trace levels, these compounds can affect the public acceptance/perception of drinking water quality.

- It is essential that operational, maintenance, and filter replacement requirements be carried out for the product to perform as advertised. Property damage can occur if all instructions are not followed.
- The disposable cartridge must be changed at least every 6 months. Spent adsorption media will not be regenerated and used.
- Use replacement EDRARXD1/B, WHRARXD1/B, KADARXD1/B, MAYARXD1/. 2024 suggested retail price of \$59.99 U.S.A./\$69.99 Canada. Prices are subject to change without notice. Available at www.everydropwater.com
- The filter monitor system measures the amount of water that passes through the filter and alerts you when it is time to replace the filter. To learn how to check the water filter status, see “Using the Controls” or “Water Filtration System” in the User Instructions or User Guide.
- After changing the water filter, flush the water system. See “Water and Ice Dispensers” or “Water Dispenser” in the User Instructions or User Guide.
- These contaminants are not necessarily in your water supply. While testing was performed under standard laboratory conditions, actual performance may vary.
- The product is for cold water use only.
- The water system must be installed in compliance with state and local laws and regulations.
- Actual performance may vary as the testing was performed under standard laboratory conditions.
- Do not use with water that is microbiologically unsafe or of unknown quality without adequate disinfection before or after the system. Systems certified for cyst reduction may be used on disinfected waters that may contain filterable cysts. EPA Est. No. 85075-SG-001
- Refer to the “Warranty” section (in the User Instructions or User Guide) for the Manufacturer’s limited warranty, name and telephone number.

Application Guidelines/Water Supply Parameters

Water Supply	Potable City or Well
Water Pressure	30 psi - 120 psi (207 kPa - 827 kPa)
Water Temperature	33°F - 100°F (0.6°C - 37.8° C)
Service Flow Rate	0.52 gpm (1.97 Lpm). @ 60 psi (413.7 kPa)

- Your water filtration system will withstand up to 120 pounds per square inch (psi) water pressure. If your water supply is higher than 80 psi, install a pressure reducing valve before installing the water filtration system.
- Conforms to NSF/ANSI 53 for VOC reduction. See Table below for individual contaminants and reduction performance.



*Class I particle size: >0.5 to >1 um

**This VOC performance accounts for 39 contaminant removals based on VOC surrogate testing

†Based on the use of polystyrene microsphere

††Fibers greater than 10 um in length

Performance data sheet reduction claims for organic chemicals included by surrogate testing

Substance	Influent challenge concentration (mg/L)	Maximum permissible product water concentration (mg/L)
alachlor	0.050	0.001
altrazine	0.100	0.003
benzene	0.081	0.001
carbofuran	0.190	0.001
carbon tetrachloride	0.078	0.0018
chlorobenzene	0.077	0.001
chloropicrin	0.015	0.0002
2,4-d	0.110	0.0017
dibromochloropropane (DBCP)	0.052	0.00002
o-dichlorobenzene	0.080	0.001
p-dichlorobenzene	0.040	0.001
1,2-dichloroethane	0.088	0.0048
1,1-dichloroethylene	0.083	0.001
cis-1,2-dichloroethylene	0.170	0.0005
trans-1,2-dichloroethylene	0.086	0.001
1,2-dichloropropane	0.080	0.001
cis- 1,3-dichloropropylene	0.079	0.001
dinoseb	0.170	0.002
endrin	0.053	0.00059
ethylbenzene	0.088	0.001
ethylene dibromide (EDB)	0.044	0.00002
haloacetonitriles (HAN)		
bromochloroacetonitrile	0.022	0.0005
dibromoacetonitrile	0.024	0.0006
dichloroacetonitrile	0.0096	0.0002
trichloroacetonitrile	0.015	0.0003
haloketones (HK)		
1,1-dichloro-2-propanone	0.0072	0.0001
1,1,1-trichloro-2-propanone	0.0082	0.0003

heptachor	0.025	0.00001
heptachor epoxide	0.0107	0.0002
hexachlorobutadiene	0.044	0.001
hexachlorocyclopentadiene	0.060	0.000002
lindane	0.055	0.00001
methoxychlor	0.050	0.0001
pentachlorophenol	0.096	0.001
simazine	0.120	0.004
styrene	0.150	0.0005
1,1,2,2-tetrachloroethane	0.081	0.001
tetrachloroethylene	0.081	0.001
toluene	0.078	0.001
2,4,5-TP (Silvex)	0.270	0.0016
tribromoacetic acid	0.042	0.001
1,2,4-trichlorobenzene	0.160	0.0005
1,1,1-trichloroethane	0.084	0.0046
1,1,2-trichloroethane	0.150	0.0005
trichloroethylene	0.180	0.0010
trihalomethanes (includes) chloroform (surrogate chemical) bromoform bromodichloromethane chlorodibromomethane	0.300	0.015
xylene (total)	0.070	0.001

Consumer Support **1.800.442.9991**
By Whirlpool Corporation
2000 North M63
Benton Harbor, MI 49022



Sécurité du réfrigérateur

Votre sécurité et celle des autres sont très importantes.

Nous fournissons de nombreux messages importants relatifs à la sécurité dans le présent manuel et sur votre appareil. Lisez et respectez toujours tous les messages de sécurité.



Ceci est un symbole d'alerte de sécurité.

Ce symbole vous avertit des dangers potentiels qui peuvent vous tuer ou vous blesser, vous ou d'autres personnes. Tous les messages de sécurité suivent le symbole d'alerte de sécurité et le mot « DANGER » ou « AVERTISSEMENT ». Ces termes signifient :

DANGER

Vous pouvez être tué ou gravement blessé si vous ne respectez pas immédiatement les instructions.

AVERTISSEMENT

Vous pouvez être tué ou gravement blessé si vous ne respectez pas les instructions.

Tous les messages de sécurité vous indiquent quel est le danger potentiel, comment réduire les risques de blessures et ce qui peut arriver si les instructions ne sont pas respectées.

INFORMATIONS IMPORTANTES RELATIVES À LA SÉCURITÉ

AVERTISSEMENT : Pour réduire le risque d'incendie, de choc électrique ou de blessure corporelle lors de l'utilisation de votre appareil, suivez les précautions de base, notamment celles-ci :

- Il est nécessaire de surveiller les enfants de manière à ce qu'ils ne puissent pas jouer avec l'appareil.
- Cet appareil n'est pas conçu pour être utilisé par des personnes (enfants inclus) dont les capacités mentales, sensorielles ou physiques sont réduites ou qui ne disposent pas de l'expérience et des connaissances requises, sauf si une personne responsable de leur sécurité assure leur surveillance ou leur formation dans le cadre de l'utilisation de l'appareil.
- N'utilisez aucune rallonge.
- Si le cordon d'alimentation électrique est endommagé, il doit être remplacé par le fabricant, un agent d'entretien ou une personne qualifiée de manière similaire pour éviter tout risque.
- Raccordez uniquement une alimentation en eau potable.
- Cet appareil est destiné à être utilisé dans des applications domestiques et similaires telles que : cuisines du personnel dans les magasins, bureaux et autres environnements de travail ; maisons de ferme ; par les clients des hôtels, motels, environnements de type résidentiel, chambres d'hôtes et la restauration et les applications similaires non commerciales..
- Ne stockez pas de substances explosives telles que des bombes aérosols contenant un propulseur inflammable dans cet appareil.
- Utilisez les nouveaux tuyaux fournis avec l'appareil, les anciens tuyaux ne devant pas être réutilisés.
- N'utilisez pas de pièces de rechange qui n'ont pas été recommandées par le fabricant (par exemple des pièces fabriquées à la maison à l'aide d'une imprimante 3D).
- Maintenez les ouvertures de ventilation, dans l'enceinte de l'appareil et dans la structure intégrée, exemptes de toute obstruction.
- N'utilisez pas de moyens mécaniques ou autres pour accélérer le processus de dégivrage, autres que ceux recommandés par le fabricant.
- N'endommagez pas le circuit frigorifique.
- N'utilisez pas d'appareils électriques à l'intérieur des compartiments de stockage d'aliments de l'appareil, sauf s'ils sont du type recommandé par le fabricant.
- Un kit de machine à glaçons peut être ajouté à certains modèles. Consultez l'étiquette de série à l'intérieur du compartiment alimentaire de l'appareil afin d'obtenir des informations sur le modèle du kit de machine à glaçons.
- La conduite d'eau et la machine à glaçons doivent être installés par un technicien de service qualifié. Consultez les instructions d'installation fournies avec le kit de machine à glaçons afin d'obtenir tous les détails.
- En plaçant l'appareil, assurez-vous que le cordon d'alimentation n'est pas coincé ou endommagé.
- Ne placez pas de multiprises électriques mobiles ou de blocs d'alimentation mobiles à l'arrière de l'appareil.

CONSERVEZ CES INSTRUCTIONS

Pour éliminer correctement votre ancien réfrigérateur

AVERTISSEMENT : Risque qu'il y ait des enfants piégés.

Avant de jeter votre ancien réfrigérateur ou congélateur :

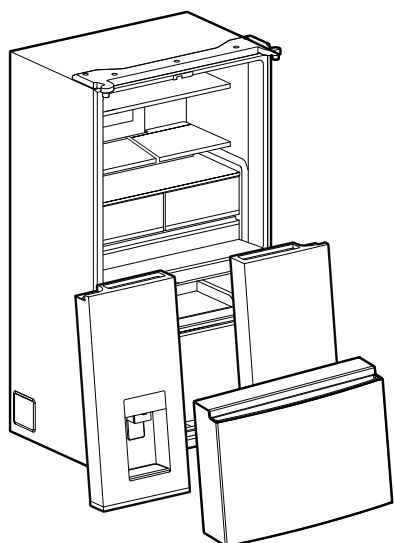
- Retirez les portes.
- Laissez les clayettes en place afin que les enfants ne puissent pas grimper facilement à l'intérieur.

AVERTISSEMENT

Risque d'étouffement

Retirez les portes ou le couvercle de votre ancien appareil.

Le non-respect de ceci peut entraîner la mort ou des dommages cérébraux.



IMPORTANT : Les enfants piégés ou qui suffoquent ne sont pas des problèmes du passé. Les congélateurs et les réfrigérateurs abandonnés ou mis au rebut restent dangereux, même s'ils ne restent « que quelques jours ». Si vous vous débarrassez de votre ancien réfrigérateur ou congélateur, veuillez respecter ces instructions afin d'éviter les accidents.

Informations importantes à connaître quant à l'élimination des réfrigérants :

Débarrassez-vous du réfrigérateur conformément aux réglementations fédérales et locales. Les réfrigérants doivent être évacués par un technicien en réfrigération agréé et certifié par l'EPA, conformément aux procédures établies.

ENTRETIEN DU RÉFRIGÉRATEUR

Nettoyage

⚠ AVERTISSEMENT



Risque d'explosion

Risque d'incendie ou d'explosion.

Utilisation d'un réfrigérant inflammable.

N'utilisez pas d'ustensiles mécaniques pour dégivrer le réfrigérateur.

Ne percez pas le tube de réfrigérant.

Les sections réfrigérateur et congélateur se dégivrent automatiquement. Toutefois, nettoyez les deux sections environ une fois par mois afin d'éviter l'accumulation d'odeurs. Essayez immédiatement tout déversement.

IMPORTANT :

- Comme l'air circule entre toutes les sections, toutes les odeurs formées dans une section sont transférées à l'autre. Vous devez nettoyer soigneusement toutes les sections pour éliminer les odeurs. Afin d'éviter le transfert d'odeurs et le dessèchement des aliments, emballez ou couvrez hermétiquement les aliments.
- N'utilisez pas de nettoyants abrasifs ou agressifs comme des sprays pour vitres, des nettoyants à récurer, des liquides inflammables, de l'acide muriatique, des cires de nettoyage, des détergents concentrés, des agents de blanchiment ou des nettoyants contenant des produits à base de pétrole sur les portes et l'armoire, les pièces en plastique, les revêtements intérieurs et de portes ou les joints. N'utilisez pas d'essuie-tout, de tampons à récurer ou d'autres ustensiles de nettoyage agressifs.
- Pour les modèles en acier inoxydable, l'acier inoxydable est résistant à la corrosion mais pas anticorrosion. Pour éviter la corrosion de votre acier inoxydable, maintenez vos surfaces propres en suivant les instructions de nettoyage suivantes.

Nettoyer l'écran d'affichage tactile du tableau de distribution (sur certains modèles) :

1. Pour éviter de modifier involontairement les réglages, s'assurer que le réfrigérateur est débranché ou que le courant électrique est déconnecté avant d'essuyer l'écran.
2. Préparer un mélange avec du détergent doux et de l'eau tiède. Humecter un chiffon doux sans charpie du mélange et essuyer doucement l'écran.
REMARQUE : Ne pas vaporiser ni essuyer de liquides directement sur l'écran, et ne pas saturer le chiffon de produit.
3. Brancher le réfrigérateur ou reconnecter la source de courant électrique.

Nettoyage extérieur

IMPORTANT : Les dommages au revêtement lisse en raison d'un mauvais usage des produits nettoyants ou de l'utilisation de produits nettoyants non recommandés ne sont pas couverts par la garantie. Des instruments aiguisés ou coupants dépareraient le revêtement.

1. Débrancher le réfrigérateur ou déconnecter la source de courant électrique.
2. À l'aide d'une éponge propre ou d'un chiffon doux et d'un détergent doux dans de l'eau tiède, laver, rincer et sécher soigneusement les pièces extérieures en acier inoxydable et surfaces métalliques peintes.

Pour que votre réfrigérateur en acier inoxydable conserve son aspect neuf et pour enlever les petites égratignures ou marques, il est suggéré d'utiliser le nettoyant et poli pour acier inoxydable approuvé par le fabricant. Ce nettoyant doit être utilisé sur les pièces en acier inoxydable uniquement. Consulter le Guide de démarrage rapide pour les informations de commande.

REMARQUE : Lors du nettoyage de l'acier inoxydable, toujours frotter dans le sens du grain afin d'éviter d'érafler la surface.

Veiller à ce que le nettoyant et poli pour acier inoxydable n'entre pas en contact avec les pièces de plastique comme les garnitures, couvercles de distributeurs ou joints de porte. En cas de contact non intentionnel, nettoyer la pièce de plastique avec une éponge et un détergent doux dans de l'eau tiède. Sécher soigneusement avec un chiffon doux.

3. Brancher le réfrigérateur ou reconnecter la source de courant électrique.

Veillez consulter les informations de nettoyage extérieur spécifiques à votre modèle.

Acier inoxydable résistant aux empreintes de doigts

Style 1 : Porte lisse/métal peint

UTILISER	NE PAS UTILISER
<ul style="list-style-type: none">■ Chiffon doux et propre	<ul style="list-style-type: none">■ Chiffons abrasifs■ Essuie-tout en papier ou papier journal■ Tampons en laine d'acier
<ul style="list-style-type: none">■ Eau chaude savonneuse avec détergent doux	<ul style="list-style-type: none">■ Poudres ou liquides abrasifs■ Pulvérisateurs à vitres■ Ammoniac■ Nettoyants à base d'acide ou de vinaigre■ Nettoyants pour four■ Fluides inflammables

REMARQUE : Les essuie-tout en papier rayent et peuvent ternir le vernis transparent de la porte peinte. Pour éviter d'éventuels dommages, utilisez uniquement des chiffons doux et propres pour polir et essuyer la porte.

Style 2 : Acier inoxydable

UTILISER	NE PAS UTILISER
■ Chiffon doux et propre	■ Chiffons abrasifs ■ Essuie-tout en papier ou papier journal ■ Tampons en laine d'acier
■ Eau chaude savonneuse avec détergent doux	■ Poudres ou liquides abrasifs ■ Ammoniac ■ Nettoyants à base d'agrumes ■ Nettoyants à base d'acide ou de vinaigre ■ Nettoyants pour four
■ Pour les saletés tenaces, utilisez uniquement un nettoyant ou un produit de polissage pour acier inoxydable approuvés par le fabricant.	■ Poudres ou liquides abrasifs ■ Ammoniac ■ Nettoyants à base d'agrumes ■ Nettoyants à base d'acide ou de vinaigre ■ Nettoyants pour four ■ Chiffons abrasifs ■ Essuie-tout en papier ou papier journal ■ Tampons en laine d'acier

REMARQUES :

- En cas de contact involontaire, nettoyez la pièce en plastique avec une éponge et un détergent doux dans de l'eau tiède. Essayez minutieusement avec un chiffon doux.
- Évitez d'exposer les appareils en acier inoxydable à des éléments caustiques ou corrosifs comme des environnements à forte teneur en sel ou en humidité. Les dommages dus à l'exposition à ces éléments ne sont pas couverts par la garantie.
- Ce n'est pas parce qu'un nettoyant est liquide qu'il n'est pas abrasif. Beaucoup de nettoyants liquides formulés pour être doux pour le carrelage et les surfaces lisses endommagent néanmoins l'acier inoxydable.
- Lors du nettoyage de l'acier inoxydable, essuyez toujours dans le sens du grain afin d'éviter les rayures transversales.
- L'acide citrique décolore de façon permanente l'acier inoxydable. Pour éviter d'endommager la finition de votre réfrigérateur en acier inoxydable :
Ne laissez pas ces substances subsister sur la finition :
 - Moutarde
 - Jus de tomate
 - Sauce marinara
 - Sauces à base d'agrumes
 - Produits à base d'agrumes

Nettoyage intérieur

IMPORTANT : Les clayettes du réfrigérateur avec éclairage LED au-dessous ne vont pas au lave-vaisselle.

1. Débranchez le réfrigérateur ou coupez l'alimentation électrique.
2. Lavez à la main, rincez et séchez soigneusement les pièces amovibles et les surfaces intérieures. Utilisez une éponge propre ou un chiffon doux et un détergent doux dans de l'eau tiède.
3. Branchez le réfrigérateur ou reconnectez l'alimentation.

Nettoyage du condenseur

AVERTISSEMENT



Risque d'explosion

Risque d'incendie ou d'explosion dû à la perforation du tube de réfrigérant.

Suivez attentivement les instructions de manipulation.

Utilisation d'un réfrigérant inflammable.

Dans un environnement de fonctionnement domestique normal, il n'est pas nécessaire de procéder à un nettoyage régulier du condenseur. Si l'environnement est particulièrement gras ou poussiéreux ou s'il y a un trafic important d'animaux domestiques dans le domicile, le condenseur doit être nettoyé tous les 6 mois afin de garantir une efficacité maximale.

1. Débranchez le réfrigérateur ou coupez l'alimentation électrique.
2. Retirez la grille de base.
3. Utilisez un aspirateur avec une brosse douce pour nettoyer la grille, les zones ouvertes derrière la grille et la surface frontale du condenseur.
4. Remettez la grille de base en place une fois l'opération terminée.
5. Branchez le réfrigérateur ou reconnectez l'alimentation.

REMARQUE : Si vous ne parvenez pas à nettoyer le condenseur, veuillez appeler le service après-vente.

Éclairages

Les éclairages des compartiments frais et congélateur sont à LED. Si les éclairages ne s'allument pas lorsque la porte est ouverte, appeler les numéros fournis pour obtenir de l'aide ou un dépannage. Consulter le Guide de démarrage rapide pour les coordonnées.

Clayettes du réfrigérateur

Informations importantes à connaître sur les clayettes et les couvercles en verre :

Ne nettoyez pas les clayettes ou les couvercles en verre avec de l'eau chaude lorsqu'ils sont froids. Les clayettes et les couvercles peuvent se briser s'ils sont exposés à des chocs thermiques ou à des impacts, comme des coups. Le verre trempé est conçu pour se briser en de nombreux petits morceaux de la taille d'un caillou. Ceci est normal. Les clayettes et les couvercles en verre sont lourds. Utilisez vos deux mains pour les retirer pour ne pas les faire tomber.

Les clayettes de votre réfrigérateur sont réglables pour répondre à vos besoins de conservation propres.

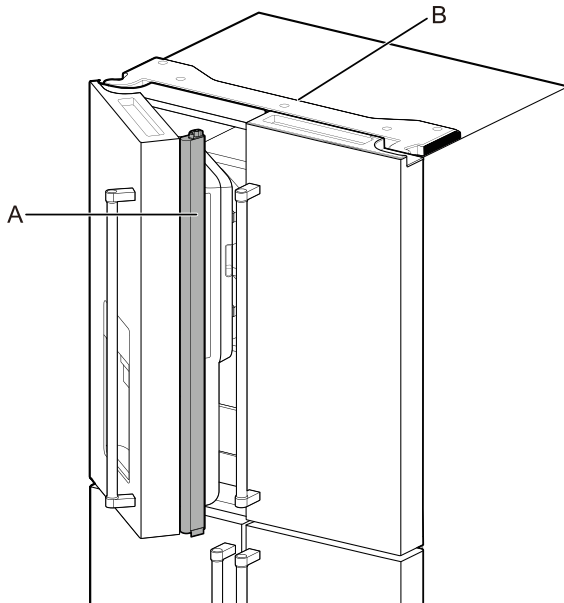
En conservant ensemble des aliments similaires dans votre réfrigérateur et en ajustant les clayettes pour s'adapter à différentes hauteurs d'aliments, vous pouvez trouver plus facilement le produit exact que vous souhaitez. Cela réduit également le temps pendant lequel la porte du réfrigérateur est ouverte et économise de l'énergie.

Ouverture et fermeture des portes

Il y a deux portes pour le compartiment à aliments frais. Les portes peuvent s'ouvrir et se fermer séparément ou ensemble. Il y a un joint à charnière verticale sur la porte de gauche du réfrigérateur.

- Lorsque la porte de gauche est ouverte, le joint de la charnière se replie automatiquement vers l'intérieur pour ne plus gêner.
- Lorsque les deux portes sont fermées, le joint de la charnière forme automatiquement un joint entre les deux portes.

REMARQUE : Lors de la fermeture de la porte, le joint de la charnière doit être dans la bonne position (à savoir plié vers l'intérieur). Sinon, il heurte la porte de droite ou l'arbre de fixation.



A. Joint à charnière B. Cache de charnière

Le contacteur de la porte du compartiment à aliments frais est situé dans le cache des charnières supérieures gauche et droite.

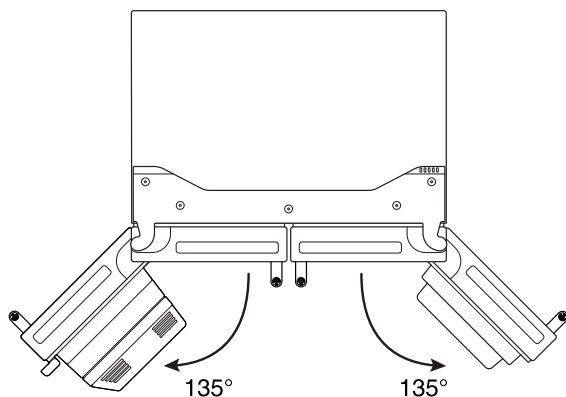
- Pour l'espace congélateur, le contacteur de la porte est situé dans le support en bas à gauche.
- Le contacteur de porte utilise un aimant pour détecter l'ouverture/la fermeture de la porte.
- Assurez-vous qu'il n'y a pas d'aimant ou d'appareil électronique (haut-parleur, Coolvox® etc.) à moins de 7,62 cm du cache de la charnière.

REMARQUE : La lumière ne s'allume pas si aucune ouverture de la porte n'est détectée.

Réglage de la hauteur de la demi-clayette

La hauteur de la demi-clayette peut être ajustée en changeant son emplacement du support inférieur au support supérieur et vice versa.

- Ouvrez la porte de droite et la porte de gauche jusqu'à 135°.
- Reportez-vous à « Étagères, bacs et tiroirs » pour plus de détails.



Le distributeur de glace (sur certains modèles)

IMPORTANT :

- Si les glaçons sont creux ou présentent une forme irrégulière, cela peut être dû à une faible pression d'eau. Consultez la section « Alimentation en eau requise ».
- La glace se déplace depuis son bac de stockage via la goulotte du distributeur jusqu'au distributeur. Pour désactiver la machine à glaçons, consultez la section « Machine à glaçons et bac de rangement ».
- Le distributeur peut continuer à faire du bruit et de la glace continuer à tomber pendant quelques secondes après avoir relâché le bouton ou la palette du distributeur.

Pour nettoyer la goulotte du distributeur de glace :

L'humidité fait que la glace s'agglutine naturellement. Des particules de glace peuvent s'accumuler jusqu'à ce que la goulotte du distributeur de glace soit obstruée.

Si la glace n'est pas distribuée régulièrement, il faut peut-être vider le bac à glaçons et nettoyer la goulotte de distribution de la glace, le bac à glaçons et la zone située sous celui-ci toutes les deux semaines.

- Si nécessaire, retirez la glace obstruant le bac de stockage et la goulotte de distribution avec un ustensile en plastique.
- Nettoyez la goulotte de distribution des glaçons et le fond du bac de stockage de la glace avec un chiffon chaud et humide, puis séchez soigneusement.

Pour distribuer la glace – Distribution à palette

1. Sélectionnez le type de glace souhaité en appuyant sur GLAÇONS ou GLACE PILÉE.

⚠ AVERTISSEMENT

Risque de coupure

Utilisez un verre résistant pour distribuer de la glace.

Dans le cas contraire, il y a un risque de coupure.

2. Appuyez un verre résistant contre la palette du distributeur. Tenez le verre près de l'ouverture du distributeur afin que la glace ne tombe pas hors du verre.
IMPORTANT : Vous n'avez pas besoin d'exercer beaucoup de pression sur la palette pour activer le distributeur de glace. Appuyer fort ne fait pas distribuer la glace plus rapidement ou en plus grande quantité.
3. Retirez le verre pour arrêter la distribution.

REMARQUE : La glace peut continuer à tomber pendant quelques secondes après avoir retiré le verre de la palette du distributeur. Le distributeur peut continuer à faire du bruit pendant quelques secondes après la distribution.

L'éclairage du distributeur (sur certains modèles)

- Lorsque vous utilisez le distributeur, l'éclairage s'allume automatiquement.

Préparer les vacances et déménagements

Vacances

Si vous choisissez de laisser le réfrigérateur allumé pendant votre absence :

1. Utilisez les denrées périssables et congelez les autres.
2. Appuyez sur le bouton Mode pour choisir la fonction Vacances.
3. Si votre réfrigérateur est muni d'une machine à glaçons automatique et qu'il est raccordé à l'alimentation en eau domestique, coupez l'alimentation en eau du réfrigérateur. Des dommages matériels peuvent survenir si l'alimentation en eau n'est pas coupée.
4. Si vous avez une machine à glaçons automatique, désactivez-la.
 - Appuyez sur la machine à glaçons pour la désactiver.
5. Vider le bac à glaçons.

Si vous choisissez d'éteindre le réfrigérateur avant de partir :

REMARQUE : Veuillez l'éteindre pendant vos vacances.

1. Retirez tous les aliments du réfrigérateur.
2. Si votre réfrigérateur est muni d'une machine à glaçons automatique :
 - Coupez l'alimentation en eau de la machine à glaçons au moins un jour à l'avance.
3. Vider le bac à glaçons.
4. Nettoyez le réfrigérateur, essuyez-le et séchez-le bien.
5. Scotchez des blocs de caoutchouc ou de bois sur le haut des deux portes pour les maintenir suffisamment ouvertes afin que l'air puisse pénétrer. Cela empêche l'accumulation d'odeurs et de moisissures.

REMARQUE : En mode Vacances, la plaque de pression d'eau du distributeur et la plaque de pression de glace de la machine à glaçons ne fonctionnent pas.

Déplacement

Lorsque vous déplacez votre réfrigérateur vers un nouveau domicile, suivez ces étapes pour le préparer au déménagement.

1. Si votre réfrigérateur est muni d'une machine à glaçons automatique :
 - Coupez l'alimentation en eau de la machine à glaçons au moins un jour à l'avance.
 - Débranchez la conduite d'eau de l'arrière du réfrigérateur.
 - Lorsque les derniers glaçons tombent, appuyer sur le commutateur Off (Arrêt) (O) pour fermer la machine à glaçons de la porte ou les commandes, selon le modèle.
2. Retirez tous les aliments du réfrigérateur et emballez tous les aliments congelés dans de la glace sèche.
3. Vider le bac à glaçons.
4. Débranchez le réfrigérateur
5. Nettoyez, essuyez et séchez bien.
6. Retirez toutes les pièces amovibles, emballez-les bien et scotchez-les ensemble afin qu'elles ne bougent pas et ne vibrent pas durant le déménagement.
7. Selon le modèle, surélevez la face avant du réfrigérateur pour qu'il roule plus facilement, ou relevez les vis de mise de niveau pour qu'elles ne raclent pas le sol. Consultez les sections « Réglage des portes » ou « Mise de niveau et alignement des portes ».
8. Fermez les portes avec du ruban adhésif et scotchez le cordon d'alimentation à l'arrière du réfrigérateur.

À votre arrivée dans votre nouveau domicile, remettez tout en place et reportez-vous à la section « Instructions d'installation » pour les instructions de préparation. De plus, si votre réfrigérateur est muni d'une machine à glaçons automatique, n'oubliez pas de reconnecter l'alimentation en eau du réfrigérateur.


INSTRUCTIONS D'INSTALLATION

Pour commencer

Liste de contrôle d'installation

Alimentation électrique

⚠ AVERTISSEMENT



Risque de décharge électrique

Brancher l'appareil sur une prise à 3 alvéoles reliée à la terre.

Ne pas enlever la prise de liaison à la terre.

Ne pas utiliser d'adaptateur.

Ne pas utiliser de rallonge.

Le non-respect de ces instructions peut causer un décès, un incendie ou une décharge électrique.

- Branchez le réfrigérateur sur une prise reliée à la terre.

Portes

- Si les portes doivent être retirées durant l'installation, consultez les sections « Retirer et remettre les portes du réfrigérateur » et « Retirer et remettre les façades des portes du congélateur ».
- Les portes sont complètement hermétiques.
- Le réfrigérateur est de niveau. Ajustez les pieds de mise de niveau afin qu'ils soient bien plaqués contre le sol.
- Les portes sont alignées sur tout le bord supérieur. (Utilisez la fonction d'alignement des portes si nécessaire).

Vérifications finales

- Retirez tous les matériaux d'expédition.
- Réglez les commandes de température sur le réglage recommandé.
- Conservez les instructions et autres documents.
- Afin de recevoir une assistance plus complète, veuillez enregistrer votre appareil. Consulter le Guide de démarrage rapide pour les coordonnées.

Déballer le réfrigérateur

AVERTISSEMENT

Risque lié au poids excessif

Utilisez deux personnes ou plus afin de déplacer et d'installer ou de désinstaller l'appareil.

Le non-respect de ceci peut entraîner des blessures ou dos ou autres.

Livraison du réfrigérateur

- Une ouverture de porte minimale de 33 po (838 mm) est requise. Si l'ouverture de la porte fait 36 po (914 mm) ou moins, le retrait des portes, du tiroir et des charnières est nécessaire.
- Déplacez le réfrigérateur par son côté pour toutes les ouvertures de porte.

Retirer l'emballage

- Retirez le ruban adhésif et les résidus de colle des surfaces avant d'allumer le réfrigérateur. Frottez une petite quantité de liquide vaisselle sur l'adhésif avec vos doigts. Essuyez à l'eau tiède et séchez.
- N'utilisez pas d'instruments tranchants, d'alcool à friction, de liquides inflammables ou de nettoyants abrasifs pour retirer les rubans adhésifs ou la colle. Ces produits peuvent endommager la surface de votre réfrigérateur. Pour plus d'informations, consultez « Sécurité du réfrigérateur. »
- Éliminez et/ou recyclez tous les matériaux d'emballage.

Lors du déplacement de votre réfrigérateur :

Votre réfrigérateur est lourd. Lorsque vous déplacez le réfrigérateur pour le nettoyage ou l'entretien, assurez-vous de recouvrir le sol avec du carton ou une planche dure pour éviter de l'endommager. Tirez toujours le réfrigérateur tout droit lorsque vous le déplacez. Ne remuez pas et ne faites pas « marcher » le réfrigérateur lorsque vous essayez de le déplacer, car cela pourrait endommager le sol.

Nettoyer avant utilisation

Après avoir retiré tous les matériaux d'emballage, nettoyez l'intérieur de votre réfrigérateur avant de l'utiliser. Consultez les instructions de nettoyage dans la section « Prendre soin du réfrigérateur ».

Informations importantes à connaître sur les clayettes et les couvercles en verre :

Ne nettoyez pas les clayettes ou les couvercles en verre avec de l'eau chaude lorsqu'ils sont froids. Les clayettes et les couvercles peuvent se briser s'ils sont exposés à des chocs thermiques ou à des impacts, comme des coups. Le verre trempé est conçu pour se briser en de nombreux petits morceaux de la taille d'un caillou. Ceci est normal. Les clayettes et les couvercles en verre sont lourds. Utilisez vos deux mains pour les retirer pour ne pas les faire tomber.

Exigences relatives à l'emplacement

AVERTISSEMENT



Risque d'explosion

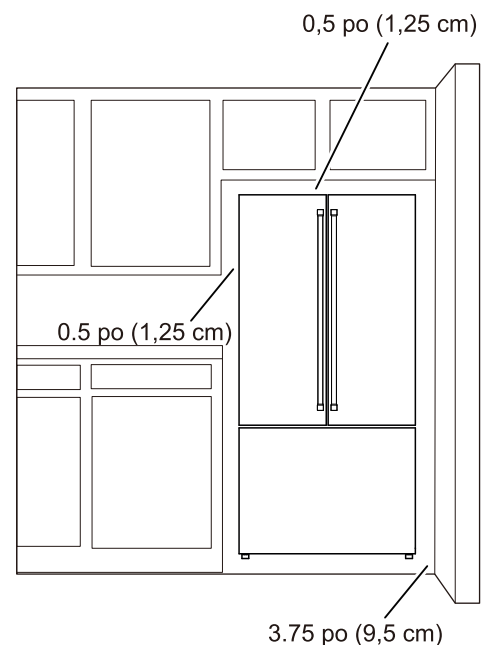
Tenez éloignés de l'appareil les matériaux et les vapeurs inflammables, comme l'essence.

Utilisez un nettoyant non inflammable.

Le non-respect de ceci peut entraîner la mort, une explosion ou un incendie.

Pour assurer une ventilation adéquate de votre réfrigérateur, prévoyez un espace de 0,5 po (1,25 cm) de chaque côté et de 0,5 po (1,25 cm) en haut. Prévoyez un espace de 2 po (5 cm) derrière le réfrigérateur. Si votre réfrigérateur est équipé d'une machine à glaçons, prévoyez un espace supplémentaire à l'arrière pour le raccordement de la conduite d'eau. Lorsque vous installez votre réfrigérateur à côté d'un mur fixe, laissez un espace minimum de 3,75 po (9,5 cm) entre le réfrigérateur et le mur afin de permettre à la porte de s'ouvrir.

REMARQUE : Ce réfrigérateur est conçu pour être utilisé dans un endroit où la température varie d'un minimum de 50°F (10°C) à un maximum de 110°F (43°C). La plage de température ambiante préférée pour des performances optimales, réduisant la consommation d'électricité et offrant un refroidissement supérieur, se situe entre 60°F (15°C) et 90°F (32°C). Il est recommandé de ne pas installer le réfrigérateur à proximité d'une source de chaleur, comme un four ou un radiateur.



Exigences électriques

⚠ AVERTISSEMENT



Risque de décharge électrique

Brancher l'appareil sur une prise à 3 alvéoles reliée à la terre.

Ne pas enlever la prise de liaison à la terre.

Ne pas utiliser d'adaptateur.

Ne pas utiliser de rallonge.

Le non-respect de ces instructions peut causer un décès, un incendie ou une décharge électrique.

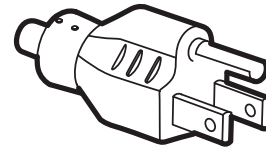
IMPORTANT : L'installation et le raccordement électrique doivent être effectués par un technicien qualifié conformément aux instructions du fabricant et dans le respect des réglementations de sécurité locales.

- Le réfrigérateur est conçu pour fonctionner sur un circuit distinct en 115 V, 60 Hz.
- Assurez-vous que la tension indiquée sur la plaque signalétique correspond à celle de votre habitation.
- L'appareil doit pouvoir être déconnecté du réseau électrique en le débranchant ou au moyen d'un interrupteur principal bipolaire installé en amont de la prise.
- Si le cordon d'alimentation électrique est endommagé, il doit être remplacé par le fabricant, un agent d'entretien ou une personne qualifiée de manière similaire pour éviter tout risque.
- N'utilisez pas de cordon présentant des fissures ou des dommages liés à l'abrasion, où que ce soit sur sa longueur ou à l'extrémité de la fiche ou du connecteur.

Avant de déplacer votre réfrigérateur vers son emplacement définitif, il est important de vous assurer que vous disposez du bon raccordement électrique :

Méthode de mise à la terre recommandée

L'alimentation électrique requise est de 115 V, 60 Hz CA uniquement, de 15 A ou 20 A avec fusible et mise à la terre. Il est recommandé de prévoir un circuit distinct desservant uniquement votre réfrigérateur et les accessoires approuvés. Utilisez une prise qui ne peut pas être éteinte par un interrupteur. N'utilisez aucune rallonge électrique.



Type B

IMPORTANT : Si ce produit est connecté à une prise protégée par un disjoncteur de fuite à la terre (GFCI), un déclenchement intempestif de l'alimentation électrique peut se produire, entraînant une perte du refroidissement. La qualité et la saveur des aliments peuvent être affectées. En cas de déclenchement intempestif et si l'état des aliments semble dégradé, jetez-les.

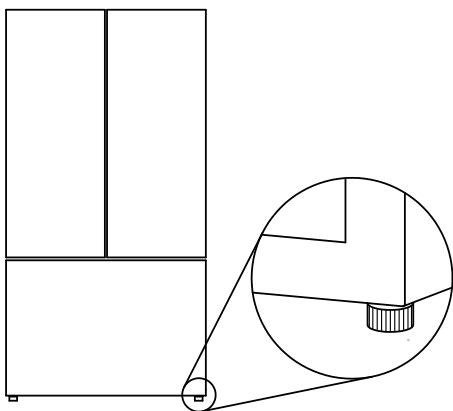
REMARQUE : Avant d'effectuer tout type d'installation ou de nettoyage, ou de retirer une ampoule, éteignez le refroidissement ou mettez la commande (thermostat, commande du réfrigérateur ou du congélateur selon le modèle) sur Off. Sur les modèles munis d'un contrôle de température numérique, appuyez plusieurs fois sur les touches tactiles portant le signe moins jusqu'à ce qu'un tiret (-) apparaisse sur les écrans à la fois du congélateur et du réfrigérateur. Débranchez le réfrigérateur de la source électrique. Une fois terminé, rebranchez le réfrigérateur sur la source de courant et activez le refroidissement ou réinitialisez la commande (thermostat, commande du réfrigérateur ou du congélateur selon le modèle) sur le réglage souhaité. Consultez le « Guide de démarrage rapide ».

Mise de niveau et alignement des portes

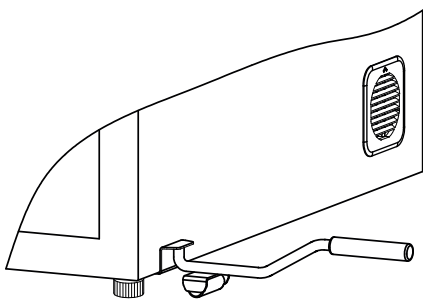
Le réfrigérateur est doté de deux pieds de mise de niveau à l'avant. Réglez les pieds pour modifier l'inclinaison d'avant en arrière ou d'un côté à l'autre.

Réglez l'inclinaison du réfrigérateur en suivant les instructions ci-dessous :

1. Tournez le pied de mise de niveau vers la gauche pour soulever ce côté du réfrigérateur ou vers la droite pour le baisser. Il peut falloir plusieurs tours de pied de mise de niveau pour régler l'inclinaison du réfrigérateur.
2. La plage de réglage des pieds de mise de niveau est limitée. Si les irrégularités du sol dépassent 8 mm, Veuillez appeler le service pour obtenir de l'aide.
3. Si la porte gauche ou droite est plus basse que l'autre côté, veuillez ajuster le pied de nivellement pour élever ou abaisser le réfrigérateur.



4. Utilisez un ustensile ménager courant afin de soulever légèrement le réfrigérateur pour pouvoir régler facilement le pied de mise de niveau.



Alimentation en eau requise

Il est nécessaire d'avoir une alimentation en eau froide avec une pression d'eau comprise entre 20 psi et 145 psi (138 kPa et 1 000 kPa) afin de faire fonctionner le distributeur d'eau et la machine à glaçons. Si vous avez des questions sur votre pression d'eau, appelez un plombier agréé et qualifié.

REMARQUE : Si la pression de l'eau est inférieure à celle requise, le débit d'eau du distributeur d'eau peut diminuer et les glaçons peuvent être creux ou de forme irrégulière.

Alimentation en eau par osmose inverse

IMPORTANT : La pression de l'alimentation en eau sortant d'un système d'osmose inverse et alimentant la vanne d'arrivée d'eau du réfrigérateur doit être comprise entre 20 psi et 145 psi (138 kPa et 1 000 kPa).

Si vous raccordez un système de filtration d'eau par osmose inverse à votre alimentation en eau froide domestique, la pression de l'eau vers le système d'osmose inverse doit être d'au moins 40 à 60 psi (276 kPa à 414 kPa).

Si la pression de l'eau vers le système d'osmose inverse est inférieure à 40 à 60 psi (276 à 414 kPa) :

- Vérifiez que le filtre à sédiments du système d'osmose inverse n'est pas obstrué. Remplacez le filtre si nécessaire.
- Laissez le réservoir de stockage du système d'osmose inverse se remplir après une utilisation intensive. La capacité du réservoir peut être trop limitée pour répondre aux besoins du réfrigérateur.

REMARQUE : Les systèmes d'osmose inverse montés sur robinet sont déconseillés.

- Si votre réfrigérateur est équipé d'un filtre à eau, il peut réduire encore plus la pression de l'eau lorsqu'il est utilisé avec un système d'osmose inverse. Retirez le filtre à eau. Consultez la section « Filtres et accessoires ».

Si vous avez des questions sur votre pression d'eau, appelez un plombier agréé et qualifié.

Raccordement de l'alimentation en eau

Lisez toutes les instructions avant de commencer.

IMPORTANT :

- Raccordez uniquement à une alimentation en eau potable.

N'utilisez pas avec de l'eau microbiologiquement dangereuse ou de qualité inconnue sans une désinfection adéquate avant ou après le système. Les systèmes certifiés pour la réduction des kystes peuvent être utilisés sur des eaux désinfectées pouvant contenir des kystes filtrables.

- La plomberie doit être installée conformément au Code international de plomberie et à tous les codes et ordonnances locaux.
- Les raccords de tubes en cuivre et en PEX reliant la conduite d'eau domestique au réfrigérateur sont acceptables et aident à éviter tout mauvais goût ou odeur dans votre glace ou votre eau. Vérifiez l'absence de fuites.
Si des tubes en PEX sont utilisés à la place du cuivre, nous recommandons les références de pièces suivantes : W10505928 (PEX gainé de 7 pi [2,14 m]), 8212547 (PEX de 5 pi [1,52 m]) ou W10267701 (PEX de 25 pi [7,62 m]).
- Installez les tubes uniquement dans des zones où les températures restent au-dessus du point de gel.

Outils nécessaires :

Rassemblez les outils et les pièces nécessaires avant de commencer l'installation.

- Tournevis plat
- Clés plate de 7/16 po et 1/2 po ou 2 clés à molette
- Tournevis à douille 1/4 po

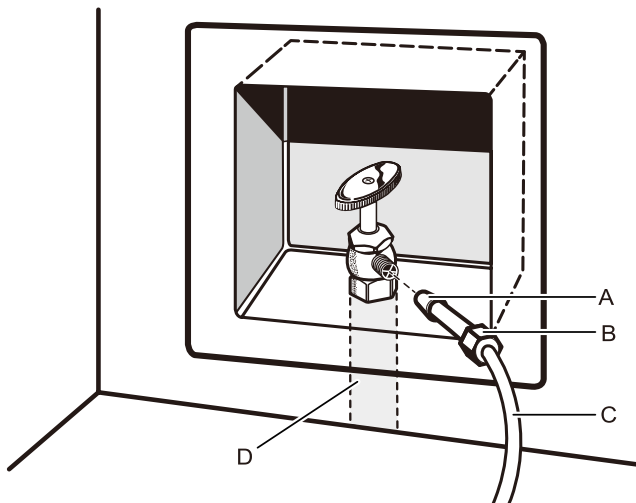
REMARQUE : N'utilisez pas de robinet de type auto-perceur ou à étrier de 3/16 po (4,76 mm), qui réduit le débit d'eau et se colmate plus facilement.

Raccorder à la conduite d'eau

IMPORTANT : Si vous avez allumé le réfrigérateur avant de raccorder l'eau, éteignez la machine à glaçons.

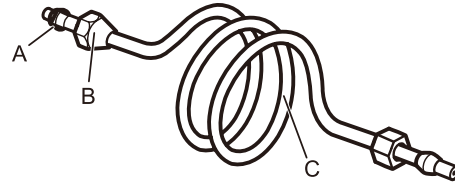
1. Débranchez le réfrigérateur ou coupez l'alimentation électrique.
2. Coupez l'alimentation principale en eau. Ouvrez le robinet le plus proche assez longtemps pour réduire la pression de l'eau dans la conduite d'eau.
3. Utilisez un robinet d'arrêt de 3/4 po à 14 po ou équivalent. Le réfrigérateur est équipé d'une ligne d'alimentation domestique avec le kit d'installation qui se connecte au robinet d'arrêt et au réfrigérateur.

REMARQUE : L'appareil est équipé d'un kit d'installation pour l'eau. Pour assurer un raccordement correct à votre alimentation en eau, utilisez un matériau d'étanchéité approprié dans le raccord. Vérifiez que la connexion est correctement hermétique après quelques heures de fonctionnement.



- A. Manchon
B. Écrou
C. Tube en cuivre (vers le réfrigérateur)
D. Ligne d'alimentation domestique

4. Vous êtes maintenant prêt à connecter le tube en cuivre ou en PEX à la vanne d'arrêt. Utilisez un diamètre extérieur de 1/4 po (6,35 mm). (diamètre extérieur) tuyau en cuivre souple ou en PEX pour raccorder le robinet d'arrêt et le réfrigérateur.
 - Assurez-vous d'avoir la longueur appropriée nécessaire pour la tâche. Veillez à ce que les deux extrémités du tube en cuivre soient coupées à angle droit.
 - Faites glisser le manchon de compression et l'écrou de compression sur le tube en cuivre comme indiqué. (Le tube en PEX est muni de manchons de compression et d'écrous de compression préinstallés.) Insérez l'extrémité du tube dans l'extrémité de sortie aussi loin que possible. Vissez l'écrou de compression sur l'extrémité de sortie à l'aide d'une clé à molette. Ne serrez pas trop.



- A. Manchon de compression
B. Écrou de compression
C. Tube en cuivre

5. Placez l'extrémité libre du tube dans un récipient ou un évier et ouvrez l'alimentation en eau principale afin de rincer le tube jusqu'à ce que l'eau soit limpide. Fermez le robinet d'arrêt du tuyau d'eau.

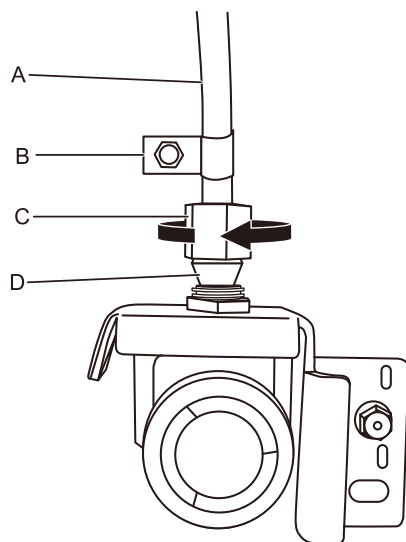
REMARQUE : Drainez toujours la conduite d'eau avant d'effectuer le raccordement final à l'entrée de la vanne d'eau, afin d'éviter un éventuel dysfonctionnement de celle-ci.

6. Cintrez le tube en cuivre pour qu'il rejoigne l'entrée de la conduite d'eau, située à l'arrière de l'armoire du réfrigérateur, comme indiqué. Laissez quelques tours de tube en cuivre pour permettre de retirer le réfrigérateur de l'armoire ou de l'éloigner du mur pour l'entretien.

Raccorder au réfrigérateur

Suivez les instructions de raccordement spécifiques à votre modèle.

1. Retirez le bouchon en plastique de l'orifice d'entrée de la vanne d'eau. Fixez le tube en cuivre à l'entrée de la vanne à l'aide d'un écrou de compression et d'un manchon tel qu'indiqué. Serrez l'écrou de compression. Ne serrez pas trop. Vérifiez que le tube en cuivre est bien fixé en tirant dessus.
2. Créez une boucle avec le tube en cuivre pour l'entretien. Évitez les pliures en enroulant le tube de cuivre. Fixez le tube en cuivre à l'armoire du réfrigérateur avec un collier de serrage en « P ».



A. Tube en cuivre C. Écrou de compression
B. Collier de serrage en « P » D. Manchon de compression

3. Ouvrez l'alimentation en eau du réfrigérateur et vérifiez l'absence de fuites. Corrigez les éventuelles fuites.
4. Si vous voulez de la glace, allumez la machine à glaçons.

REMARQUE : Prévoyez 24 heures avant de produire le premier lot de glace. Jetez les trois premiers lots de glace produits. Prévoyez trois jours pour remplir complètement le bac à glaçons.

Terminer l'installation

⚠ AVERTISSEMENT



Risque de décharge électrique

Brancher l'appareil sur une prise à 3 alvéoles reliée à la terre.

Ne pas enlever la prise de liaison à la terre.

Ne pas utiliser d'adaptateur.

Ne pas utiliser de rallonge.

Le non-respect de ces instructions peut causer un décès, un incendie ou une décharge électrique.

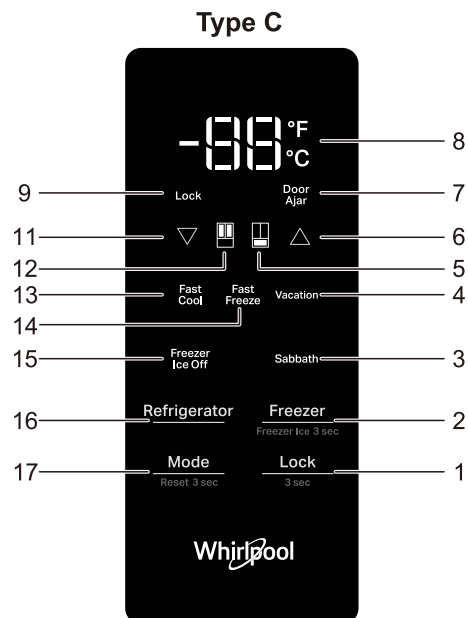
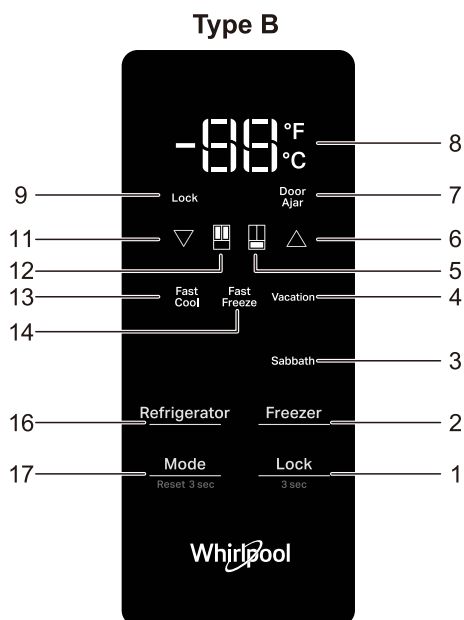
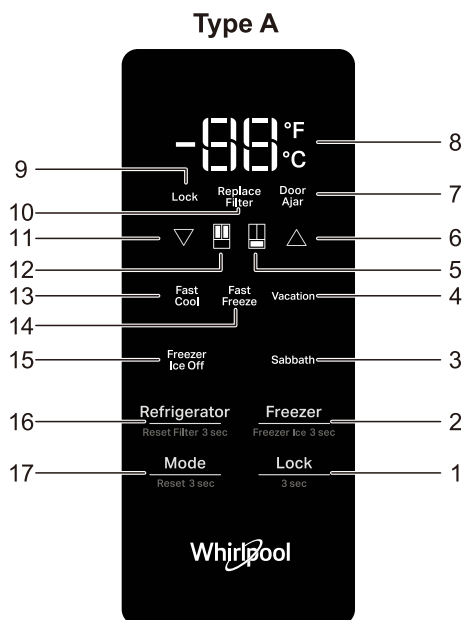
1. Brancher l'appareil dans une prise à 3 alvéoles reliée à la terre.

REMARQUE : Prévoyez un délai de 24 heures pour la production du premier lot de glaçons. Jetez les trois premiers lots de glaçons produits. Prévoyez un délai de 3 jours pour le remplissage complet du bac d'entreposage.

2. Rincer le système de distribution d'eau. Voir la section « Distributeurs d'eau et de glaçons ».

UTILISATION DES COMMANDES

Utilisation des commandes



IMPORTANT : Avant d'utiliser cet appareil, assurez-vous qu'il a été correctement installé conformément au Manuel du propriétaire de l'appareil.

Les commandes tactiles se situent sur la porte de gauche du réfrigérateur. Le panneau de commande comprend des informations sur divers boutons et indicateurs. L'indicateur de température du réfrigérateur et du congélateur indique la dernière consigne de température.

1. BOUTON de verrouillage (maintenez-le enfoncé pendant 3 secondes pour changer l'état du verrouillage)
2. BOUTON du congélateur (maintenez-le enfoncé pendant 3 secondes pour changer l'état de la fonction Glace du congélateur)
3. INDICATEUR de Sabbath
4. INDICATEUR de vacances
5. INDICATEUR du compartiment congélateur
6. BOUTON pour augmenter la température
7. INDICATEUR de porte entrouverte
8. INDICATEUR Celsius/Fahrenheit
9. INDICATEUR de verrouillage des commandes
10. INDICATEUR Remplacer le filtre
11. BOUTON pour diminuer la température
12. INDICATEUR du compartiment réfrigérateur
13. INDICATEUR de refroidissement rapide
14. INDICATEUR de congélation rapide
15. INDICATEUR de dégivrage du congélateur
16. BOUTON du réfrigérateur (maintenez enfoncé pendant 3 secondes pour réinitialiser le filtre)
17. BOUTON de mode (maintenez enfoncé pendant 3 secondes pour réinitialiser le mode)

REMARQUE : Sélectionnez les boutons en fonction des modèles applicables.

Réglages de la température

Compartiment	Plage de température
Réfrigérateur	33~42°F (1~6°C)
Congélateur	-5~5°F (-21~-15°C)

Lors du réglage des température de consigne, utilisez le tableau suivant comme guide :

ÉTAT	RÉGLAGE DE TEMPÉRATURE
Réfrigérateur trop froid	Réglage réfrigérateur 1° plus haut
Réfrigérateur trop chaud	Réglage réfrigérateur 1° plus bas
Congélateur trop froid	Réglage congélateur 1° plus haut
Congélateur trop chaud/trop peu de glace	Réglage congélateur 1° plus bas



Affichage et réglage des températures de consigne

Réglage de la température des aliments frais et du compartiment congélateur :

Pour votre confort, les commandes de votre réfrigérateur et de votre congélateur sont préréglées en usine.

Lorsque vous installez votre réfrigérateur pour la première fois, assurez-vous que les commandes sont toujours réglées sur les consignes recommandées. Les valeurs de consigne recommandées en usine sont de 37°F (3°C) pour le réfrigérateur et de 0°F (-18°C) pour le congélateur. Appuyez sur le bouton d'augmentation ou de diminution de la température pour alterner les consignes de température.

IMPORTANT :

- Attendez 24 heures avant de mettre des aliments au réfrigérateur. Si vous ajoutez des aliments avant que le réfrigérateur ne soit complètement refroidi, ils risquent de se dégrader.

REMARQUE : Le réglage des consignes à un niveau plus froid que celui recommandé ne va pas refroidir les compartiments plus rapidement.

- Si la température est trop chaude ou trop froide dans le réfrigérateur ou le congélateur, avant de régler les commandes, vérifiez d'abord les bouches d'aération pour vous assurer qu'elles ne sont pas obstruées.
- Les réglages recommandés doivent convenir pour une utilisation domestique normale. Les commandes sont bien réglées lorsque le lait ou le jus est aussi froid que vous le souhaitez et lorsque la crème glacée est ferme.

REMARQUE : Les zones comme les garages, les sous-sols ou les porches peuvent présenter une humidité plus élevée ou des températures extrêmes. Il vous faudra peut-être ajuster la température hors des paramètres recommandés pour tenir compte de ces conditions.

- Attendez au moins 24 heures entre les réglages. Revérifiez les températures avant d'effectuer d'autres réglages.

Bouton Mode

- Appuyer sur le bouton Mode pour activer la fonction, puis appuyer à nouveau pour choisir les modes : « Fast Cool » (Refroidissement rapide), « Fast Freeze » (Congélation rapide), « Vacation » (Vacances), « Sabbath » (Sabbat). Par exemple, lorsque le mode Sabbath (Sabbat) est sélectionné, le TÉMOIN du mode Sabbath (Sabbat) clignote et, après 3 secondes, le mode Sabbath (Sabbat) est activé et le TÉMOIN du mode Sabbath (Sabbat) s'allume.
- Maintenez le bouton Mode enfoncé pendant 3 secondes pour réinitialiser le mode.

Refroidissement rapide

La fonction Refroidissement rapide vous aide pendant les périodes d'utilisation intensive du réfrigérateur, de charges de courses complètes ou de températures ambiantes temporairement chaudes.

- Déverrouillez l'interface utilisateur. Consultez l'élément « Verrouillage des touches » pour plus de détails.
- Pour activer ou désactiver Refroidissement rapide, consultez l'élément « Bouton Mode » pour plus de détails.
- Lorsque la fonctionnalité est activée, la fonction Refroidissement rapide reste activée pendant 2,5 heures, sauf si elle est désactivée manuellement.

Congélation rapide

La fonction Congélation rapide vous aide pendant les périodes d'utilisation intensive du congélateur, de charges de courses complètes ou de températures ambiantes temporairement chaudes.

- Déverrouillez l'interface utilisateur. Consultez l'élément « Verrouillage des touches » pour plus de détails.
- Pour activer ou désactiver Congélation rapide, consultez l'élément « Bouton Mode » pour plus de détails.
- Après avoir placé des aliments frais au congélateur, 24 heures de la fonction de congélation rapide suffisent généralement ; après 24 heures, la fonction de congélation rapide se désactive automatiquement.

REMARQUE : La fonction Refroidissement rapide et la fonction Congélation rapide peuvent être activées simultanément.

Mode Vacances

Ce mode est conçu pour éviter que votre appareil ne gaspille de l'énergie pendant les moments où il n'est pas utilisé régulièrement (quand vous êtes en vacances par exemple). En sélectionnant cette fonction, la température du compartiment à aliments frais est automatiquement réglée à 53,6°F (12°C).

- Déverrouillez l'interface utilisateur. Consultez l'élément « Verrouillage des touches » pour plus de détails.
- Appuyez sur le bouton Mode pour choisir Refroidissement rapide ou Congélation rapide afin de désactiver la fonction Vacances.

Appuyez sur le bouton Mode pour choisir Refroidissement rapide ou Congélation rapide afin de désactiver la fonction Vacances.

IMPORTANT : Si ce mode est sélectionné, tous les aliments et boissons doivent être retirés du compartiment à aliments frais.

Machine à glaçons du congélateur

- Déverrouillez l'interface utilisateur. Consultez l'élément « Verrouillage des touches » pour plus de détails.
- Maintenez le bouton Congélateur enfoncé pendant 3 secondes pour activer ou désactiver la machine à glaçons du congélateur.

Lorsque la machine à glaçons du congélateur est désactivée, l'icône de glaçons du congélateur s'allume.

REMARQUE : Le réglage par défaut de la machine à glaçons du congélateur est activé.

Unité de température (°C ou °F)

- Déverrouillez l'interface utilisateur. Consultez l'élément « Verrouillage des touches » pour plus de détails.
- Maintenez enfoncés les boutons « Augmentation de la température » et « Diminution de la température » pendant 3 secondes afin de régler l'unité de température entre degrés Celsius et degrés Fahrenheit.

Alarme de porte ouverte

- La fonction Alarme de porte ouverte déclenche une alarme et fait clignoter l'icône « Porte entrouverte » lorsqu'une des trois portes est ouverte pendant 5 minutes ou plus.
- L'alarme se répète toutes les 2 minutes. Fermez toutes les portes pour la désactiver.

REMARQUE : Pour désactiver l'alarme sonore tout en maintenant les portes ouvertes, par exemple durant le nettoyage de l'intérieur du réfrigérateur, appuyez sur n'importe quel bouton du panneau de commande. Le son de l'alarme est temporairement désactivé, mais l'icône Porte entrouverte reste toujours affichée sur le panneau de commande.

Verrouillage des touches

- Maintenez enfoncé le bouton Verrouillage pendant 3 seconde pour activer la fonction de verrouillage.
- Pour désactiver le verrouillage, maintenez enfoncé le bouton Verrouiller pendant 3 secondes. La fonction de verrouillage ignore toute interaction avec le panneau de commande jusqu'à ce que l'utilisateur déverrouille le panneau de commande. Cette fonction sert à éviter toute modification involontaire des réglages.

Éclairage

IMPORTANT : Les lampes dans le réfrigérateur et le congélateur utilisent la technologie à DEL et n'ont pas besoin d'être remplacées. Si les lampes ne s'allument pas lorsqu'on ouvre la porte, appeler les numéros fournis pour obtenir de l'aide ou un dépannage. Consulter le Guide de démarrage rapide pour les coordonnées.

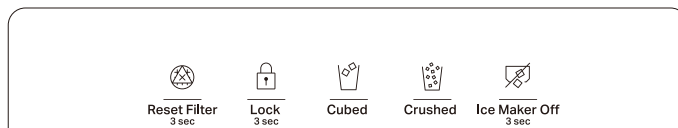
Mode Sabbat

- Déverrouillez l'interface utilisateur. Consultez l'élément « Verrouillage des touches » pour plus de détails.
- Pour activer ou désactiver le mode Sabbat, consultez l'élément « Bouton Mode » pour plus de détails.
- Le mode Sabbat reste actif pendant 80 heures une fois activé. Après cela, il est automatiquement désactivé.
- Lorsque le réfrigérateur est en mode Sabbat, les boutons, l'affichage et l'éclairage interne ne fonctionnent pas. Le réfrigérateur et le congélateur continuent cependant de produire du froid.

UTILISATION DU RÉFRIGÉRATEUR

Distributeurs d'eau et de glace (sur certains modèles)

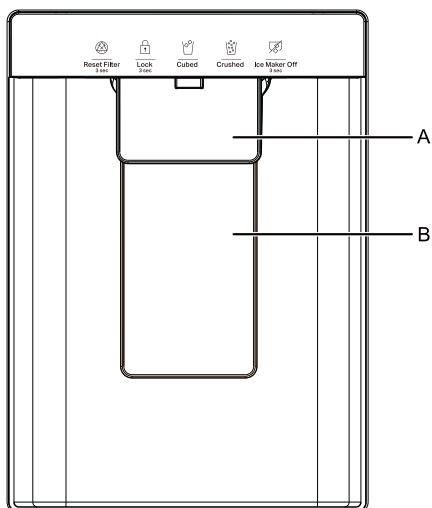
Commande de l'eau et de la glace



Clavier	Caractéristique	Instructions
Réinitialiser le filtre	Réinitialisation du filtre	Après avoir remplacé le filtre, appuyez longuement pendant 3 secondes, l'icône de remplacement du filtre s'éteint et sa durée de service est réinitialisée.
Verrouiller	Verrouiller	Appuyez 3 secondes pour verrouiller ou déverrouiller l'écran.
Glaçons	Fonction glace	Appuyez sur ce bouton pour sélectionner des glaçons entiers.
Glace pilée	Fonction glace	Appuyez sur ce bouton pour sélectionner la glace pilée.
Machine à glaçons désactivée	Machine à glaçons désactivée	Appuyez sur ce bouton et maintenez-le enfoncé pendant 3 secondes pour allumer ou éteindre la machine à glaçons.

IMPORTANT :

- Attendez 3 heures pour que le réfrigérateur refroidisse et réfrigère l'eau.
- Prévoyez 24 heures avant de produire le premier lot de glace. Jetez les 3 premiers lots de glace produits.
- Le système de distribution ne fonctionne pas si la porte de gauche du réfrigérateur est ouverte.



- A. Palette du distributeur d'eau
B. Palette du distributeur de glace

Purger le système d'eau

La présence d'air dans le système de distribution d'eau peut faire goutter le distributeur d'eau. Après avoir connecté le réfrigérateur à une source d'eau ou remplacé le filtre à eau, purgez le système d'eau.

La purge du système de distribution d'eau chasse l'air de la conduite d'eau et du filtre et prépare le filtre à eau à son utilisation. Une purge supplémentaire peut être nécessaire dans certains foyers.

REMARQUE : Lorsque l'air est évacué du système, de l'eau peut jaillir du distributeur.

1. À l'aide d'un récipient solide, maintenez la palette du distributeur d'eau enfoncée pendant 5 secondes.
2. Relâchez la palette du distributeur pendant 5 secondes. Répétez les étapes 1 et 2 jusqu'à ce que l'eau commence à s'écouler.
3. Une fois que l'eau commence à s'écouler, continuez d'enfoncer et de relâcher la palette du distributeur (5 secondes enfoncé, 5 secondes relâché) jusqu'à ce qu'un total de 3 gallons (12 L) aient été distribués.

Distribution

Appuyez sur GLAÇONS ou GLACE PILÉE pour votre choix de glace.

REMARQUES :

- Pour la glace pilée, des glaçons sont broyés avant d'être distribués. Cela peut entraîner un léger retard lors de la distribution de la glace pilée. Le bruit du broyeur à glace est normal et la taille des morceaux de glace peut varier.
- Lors du passage de la glace pilée aux glaçons, quelques onces de glace pilée sortent avec les premiers glaçons.

Distributeur d'eau

IMPORTANT :

Distribuez au moins 1 pinte (1 L) d'eau chaque semaine pour maintenir un approvisionnement frais.

Si le débit d'eau du distributeur diminue, cela peut être dû à une pression d'eau faible.

- Une fois le filtre à eau retiré, distribuez 1 tasse (237 ml) d'eau. S'il faut moins de 8 secondes pour distribuer 1 tasse d'eau, la pression de l'eau au réfrigérateur répond à l'exigence minimale.
- S'il faut plus de 8 secondes pour distribuer 1 tasse (237 ml) d'eau, la pression de l'eau au réfrigérateur est inférieure à celle recommandée. Consultez la section « Alimentation en eau requise » et la section « Dépannage » en ligne pour plus d'informations.

Machine à glaçons et bac de rangement (sur certains modèles)

IMPORTANT : Rincez le système d'eau avant d'activer la machine à glaçons afin d'éviter une faible production de glace ou une glace de mauvaise qualité. Consultez la section « Distributeur d'eau ».

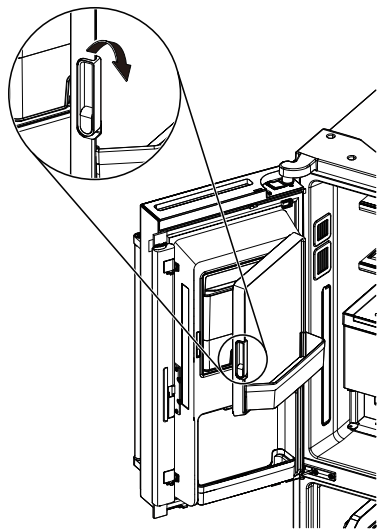
- Suite à l'installation, prévoyez 24 heures avant de produire le premier lot de glace. Jetez les 3 premiers lots de glace produits. Prévoyez 2 à 3 jours pour remplir complètement le bac à glaçons.
- La qualité de votre glace ne peut pas être supérieure à celle de l'eau fournie à votre machine à glaçons. Évitez de raccorder la machine à glaçons à une alimentation en eau adoucie. Les produits chimiques adoucisseurs d'eau (comme le sel) peuvent endommager des pièces de la machine à glaçons et générer une glace de mauvaise qualité. S'il est impossible d'éviter un approvisionnement en eau adoucie, assurez-vous que l'adoucisseur d'eau fonctionne correctement et est bien entretenu.
- Si la glace dans le bac de stockage s'agglutine, brisez-la avec un ustensile en plastique et jetez-la. N'utilisez aucun objet tranchant pour briser la glace. Cela peut endommager le bac à glaçons et le mécanisme du distributeur.
- Ne stockez rien dans le bac à glaçons.
- Les MACHINES À GLAÇONS INCORPORÉES ne doivent être installées que par le fabricant ou son agent de service après-vente.

Style 1 – Machine à glaçons dans le réfrigérateur (sur certains modèles)

La machine à glaçons est située sur la porte de gauche derrière les bacs. Les glaçons sont éjectés dans le bac à glaçons situé sur la porte de gauche du réfrigérateur.

Retirer et remettre le bac à glaçons

Pour ouvrir le boîtier de la machine à glaçons, tirez le levier de la porte de la machine à glaçons jusqu'à ce que celle-ci se dégage.



- Retirez le bac à glaçons en insérant vos doigts dans le trou à la base du bac et en tirant sur le loquet pour dégager le bac du compartiment. Soulevez le bac de rangement et tirez-le pour le sortir.
- Remettez le bac de stockage à l'intérieur du compartiment à glaçons et appuyez pour vous assurer qu'il est bien en place.

Cadence de production de la glace

- Votre machine à glaçons doit produire environ 3,5 lb (1,6 kg) de glace par jour dans des conditions de fonctionnement normales.

Activer/Désactiver la machine à glaçons

- Pour activer votre machine à glaçons, accédez à la section **Machine à glaçons** sous **Machine à glaçons désactivée /3 s.**
- Pour désactiver votre machine à glaçons, accédez à la section **Machine à glaçons** sous **Machine à glaçons désactivée /3 s.**

REMARQUE :

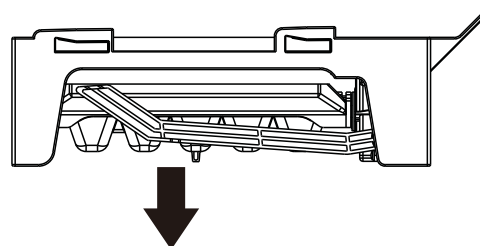
- Votre machine à glaçons est dotée d'un dispositif d'arrêt automatique. Le capteur arrête automatiquement la production de glace si le bac de stockage est plein ou si la porte est ouverte. La commande reste en position On (Marche).

Style 2 – Machine à glaçons dans le congélateur (sur certains modèles)

La machine à glaçons est activée par défaut.

Pour désactiver manuellement la machine à glaçons, maintenez enfoncé le bouton Congélateur sur le panneau d'affichage.

Le capteur interrompra automatiquement la production de glace si le bac de stockage est plein ou si la porte est ouverte.



REMARQUE : Désactivez la machine à glaçons avant de retirer le bac à glaçons pour servir des glaçons ou pour nettoyer le bac. Cela empêche les glaçons de tomber de la machine à glaçons dans le compartiment congélateur. Après avoir remis en place le bac à glaçons, activez la machine à glaçons.

Lavez le bac à glaçons avec du savon doux et de l'eau tiède.

Insérez le bac à glaçons sous la machine à glaçons et poussez-le vers l'arrière aussi loin que possible.

Cadence de production de la glace

Prévoyez 24 heures avant de produire le premier lot de glace. Jetez les trois premiers lots de glace produits.

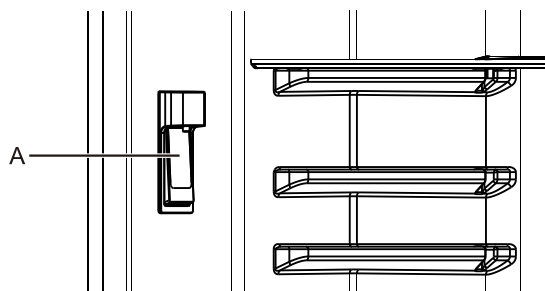
Prévoyez 3 jours pour remplir complètement le bac à glaçons. La machine à glaçons doit produire environ 3 lb (1,4 kg) (soit 8 à 12 lots) de glace sur une période de 24 heures.

Une fois la boîte à glaçons pleine, si vous souhaitez fabriquer davantage de glaçons, utilisez une spatule à glace pour déplacer la glace à l'intérieur du bac vers la porte.

Fonctionnement de l'eau interne (sur certains modèles)

- Appuyer sur la plaque de distribution d'eau et la maintenir enfoncée pour distribuer de l'eau.
- Relâcher la plaque de distribution d'eau pour arrêter la distribution d'eau.

REMARQUE : Placez la tasse aussi près que possible de la palette de distribution d'eau pendant la distribution d'eau. Relâcher la palette de distribution d'eau et attendre 1 seconde de plus avant d'éloigner la tasse. De l'eau pourrait s'écouler de la tasse sinon.



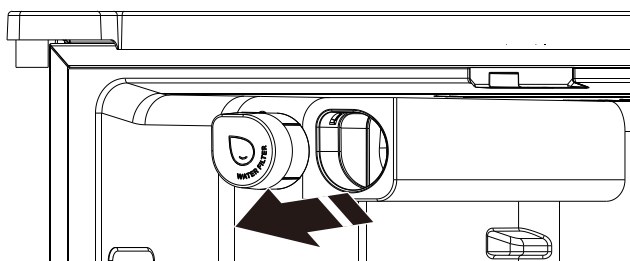
A. Palette du distributeur d'eau

Filtres et accessoires

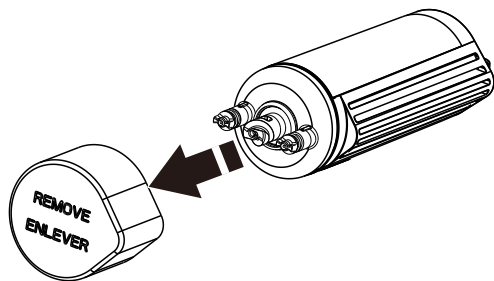
N'utilisez pas avec de l'eau microbiologiquement dangereuse ou de qualité inconnue sans une désinfection adéquate avant ou après le système. Les systèmes certifiés pour la réduction des kystes peuvent être utilisés sur des eaux désinfectées pouvant contenir des kystes filtrables.

Installation du filtre à eau

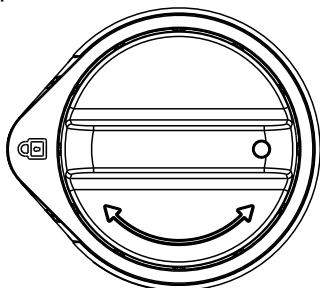
1. Repérez l'emplacement d'installation du filtre dans le coin supérieur gauche du réfrigérateur et retirez le cache du filtre.



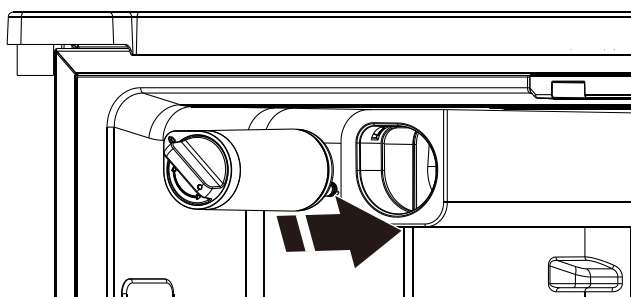
2. Sortez le filtre de l'accessoire et retirez le cache de protection du filtre.



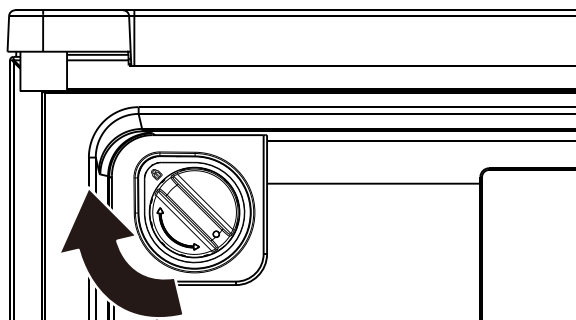
3. Assurez-vous que le bouton de verrouillage est en position déverrouillée.



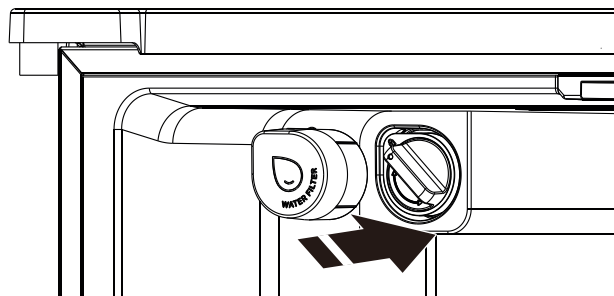
4. Insérez le filtre dans le porte-cartouche.



5. Tournez le bouton de verrouillage dans le sens horaire sur 180° pour maintenir le filtre verrouillé.



6. Recouvrez le filtre.



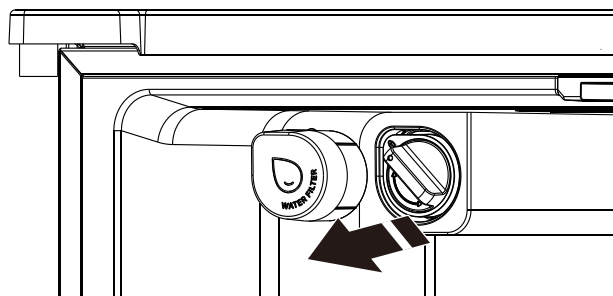
REMARQUE : Si le filtre n'est pas installé correctement, le débit de l'eau peut être inférieur et la production de glace plus lente. Une installation incorrecte du filtre peut également entraîner une fuite du boîtier du filtre à eau.

Remplacer et installer le filtre à eau

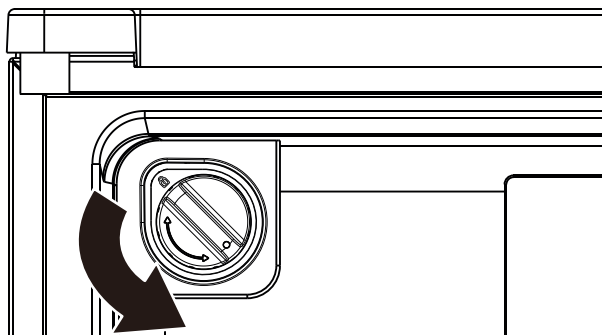
Le filtre à eau doit être remplacé tous les 6 mois, sur la base d'un débit de 0,52 gpm (1,97 lpm) qui filtre 200 gallons (757 L) d'eau.

Pour commander un filtre de remplacement, contactez-nous. Consultez la section « Accessoires » du Guide d'utilisation et d'entretien pour obtenir des informations sur la façon de commander.

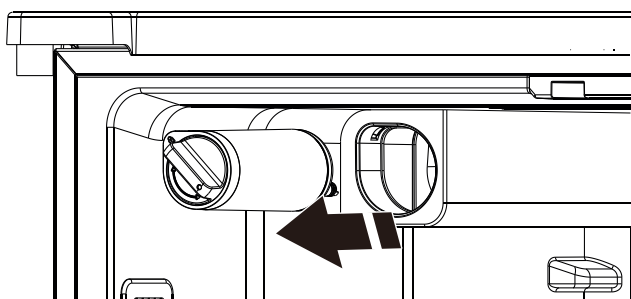
1. Repérez l'emplacement d'installation du filtre dans le coin supérieur gauche du réfrigérateur et retirez le cache du filtre.



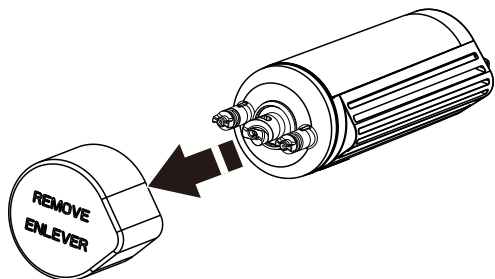
2. Tournez le bouton de verrouillage de 180° dans le sens antihoraire pour que le filtre soit à l'état non verrouillé.



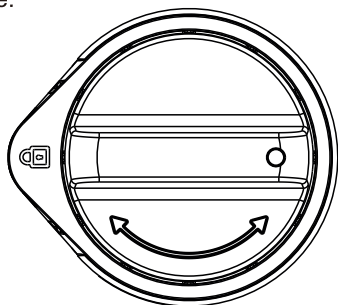
3. Retirez l'ancien filtre vers l'extérieur.



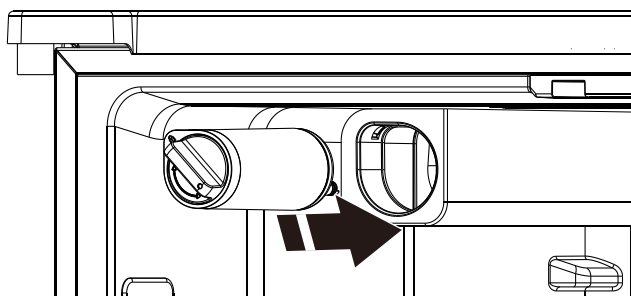
4. Prenez le nouveau filtre et retirez la protection du filtre.



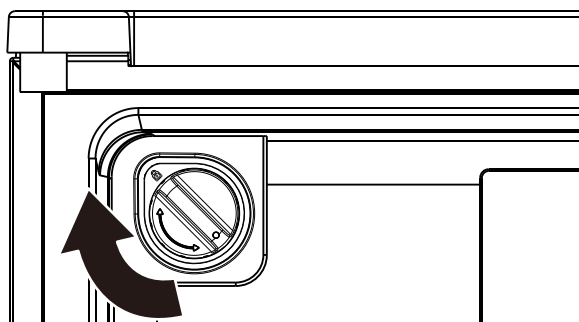
5. Assurez-vous que le bouton de verrouillage est en position déverrouillée.



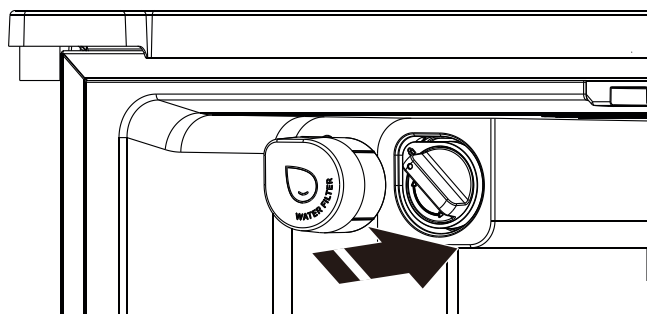
6. Insérez le filtre dans le porte-cartouche.



7. Tournez le bouton de verrouillage dans le sens horaire sur 180° pour maintenir le filtre verrouillé.



8. Recouvrez le filtre.



Voyants d'état du filtre à eau

Le témoin d'état du filtre à eau affiche l'état du filtre à eau.

- L'icône « Replace Filter » (Remplacer le filtre) ou « Reset Filter » (Réinitialiser le filtre) (selon le modèle) s'allume et clignote continuellement lors de la distribution, lorsque le volume d'eau sélectionné est passé par le filtre OU lorsque 6 mois se sont écoulés depuis l'installation du filtre. Un nouveau filtre doit être installé immédiatement lorsque le témoin lumineux « Replace Filter » (Remplacer le filtre) ou « Reset Filter » (Réinitialiser le filtre) s'allume.
- Après être restée au stade de remplacement du filtre pendant 14 jours, l'icône « Replace Filter » (Remplacer le filtre) ou « Reset Filter » (Réinitialiser le filtre) reste allumée en permanence et clignote continuellement durant la distribution. Un signal d'alerte retentit également trois fois après la distribution. Le filtre à eau doit être remplacé au moins tous les 6 mois. Après avoir remplacé le filtre à eau, l'utilisateur doit réinitialiser le témoin d'état du filtre. Appuyer sur le bouton « Replace Filter » (Remplacer le filtre) ou « Refrigerator » (Réfrigérateur) (selon le modèle) pendant 3 secondes pour réinitialiser l'état du filtre à eau. Ensuite, l'icône « Replace Filter » (Remplacer le filtre) ou « Reset Filter » (Réinitialiser le filtre) s'éteint.

REMARQUE : « Remplacer le filtre » reste allumé si le filtre n'est pas réinitialisé sur l'interface utilisateur (IU).

Information de commande en ligne

Pour commander un filtre de remplacement, communiquer avec nous au www.whirlpool.com/Parts & Accessories. Consulter le « Guide de démarrage rapide » pour les détails.

INSTRUCTIONS POUR LA PORTE ET LA POIGNÉE

Retirer et remettre les portes du réfrigérateur

REMARQUE : Mesurez la largeur d'ouverture de votre porte pour voir si vous devez ou non retirer les portes du réfrigérateur afin de déplacer le réfrigérateur dans votre domicile. Si le retrait des portes est nécessaire, consultez les instructions suivantes.

IMPORTANT : Si le réfrigérateur a déjà été installé et que vous le déplacez hors du domicile, éteignez la commande du réfrigérateur avant de commencer à retirer les portes. Débranchez le réfrigérateur ou coupez l'alimentation électrique. Retirez des portes les aliments et les bacs réglables ou utilitaires.

OUTILS NÉCESSAIRES : Clé à douille de 6 mm, clé à douille de 5 mm et tournevis cruciforme n°2.



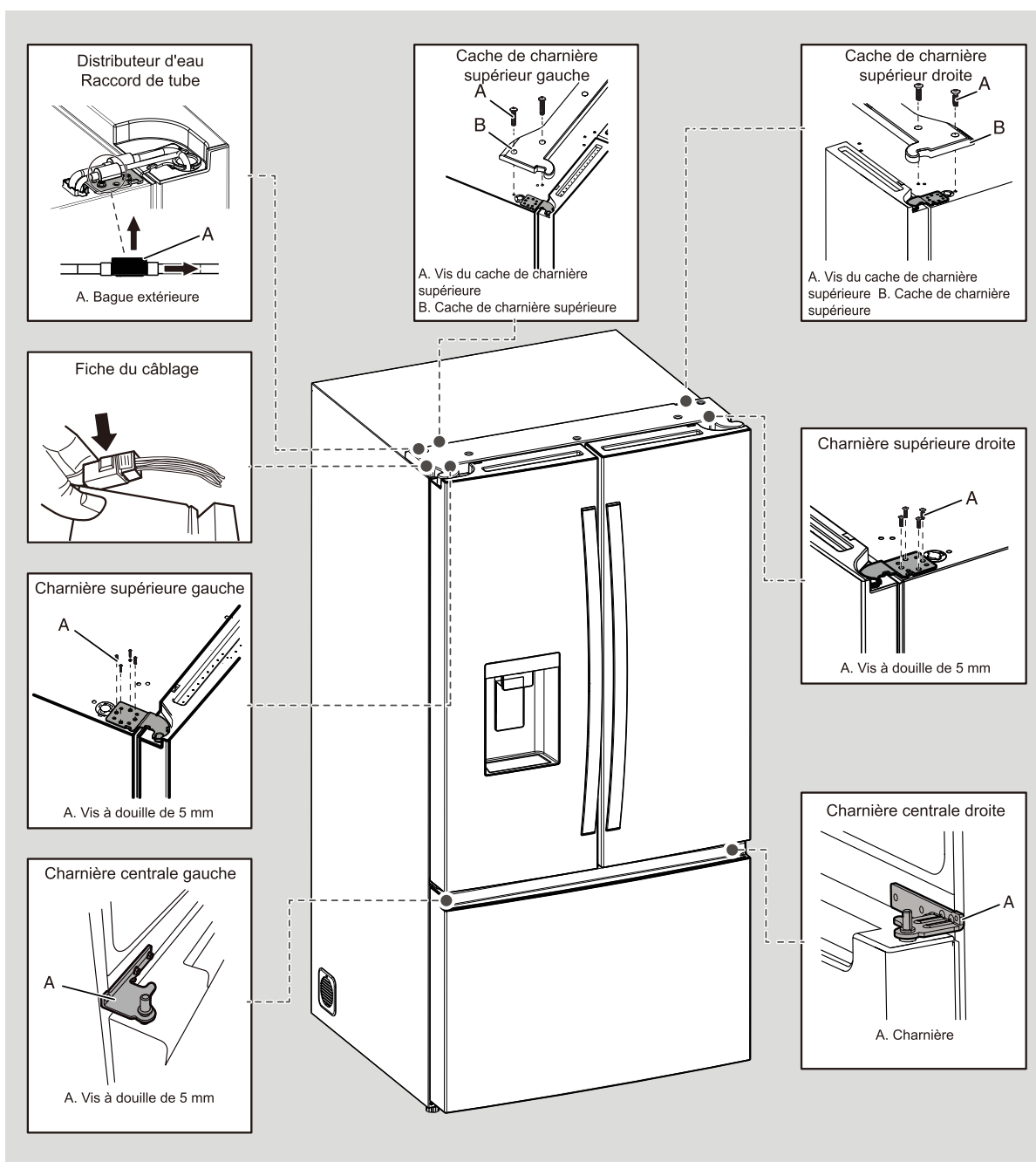
⚠ AVERTISSEMENT

Risque de choc électrique

Débranchez l'alimentation avant de retirer les portes.

Le non-respect de ceci peut entraîner la mort ou un choc électrique.

Style 1 – Machine à glaçons dans la porte de gauche



Retirer et remettre les portes du réfrigérateur

REMARQUE : Mesurez la largeur d'ouverture de votre porte pour voir si vous devez ou non retirer les portes du réfrigérateur afin de déplacer le réfrigérateur dans votre domicile. Si le retrait des portes est nécessaire, consultez les instructions suivantes.

IMPORTANT : Si le réfrigérateur a déjà été installé et que vous le déplacez hors du domicile, éteignez la commande du réfrigérateur avant de commencer à retirer les portes. Débranchez le réfrigérateur ou coupez l'alimentation électrique. Retirez des portes les aliments et les bacs réglables ou utilitaires.

OUTILS NÉCESSAIRES : Clé à douille de 6 mm, clé à douille de 5 mm et tournevis cruciforme n°2.



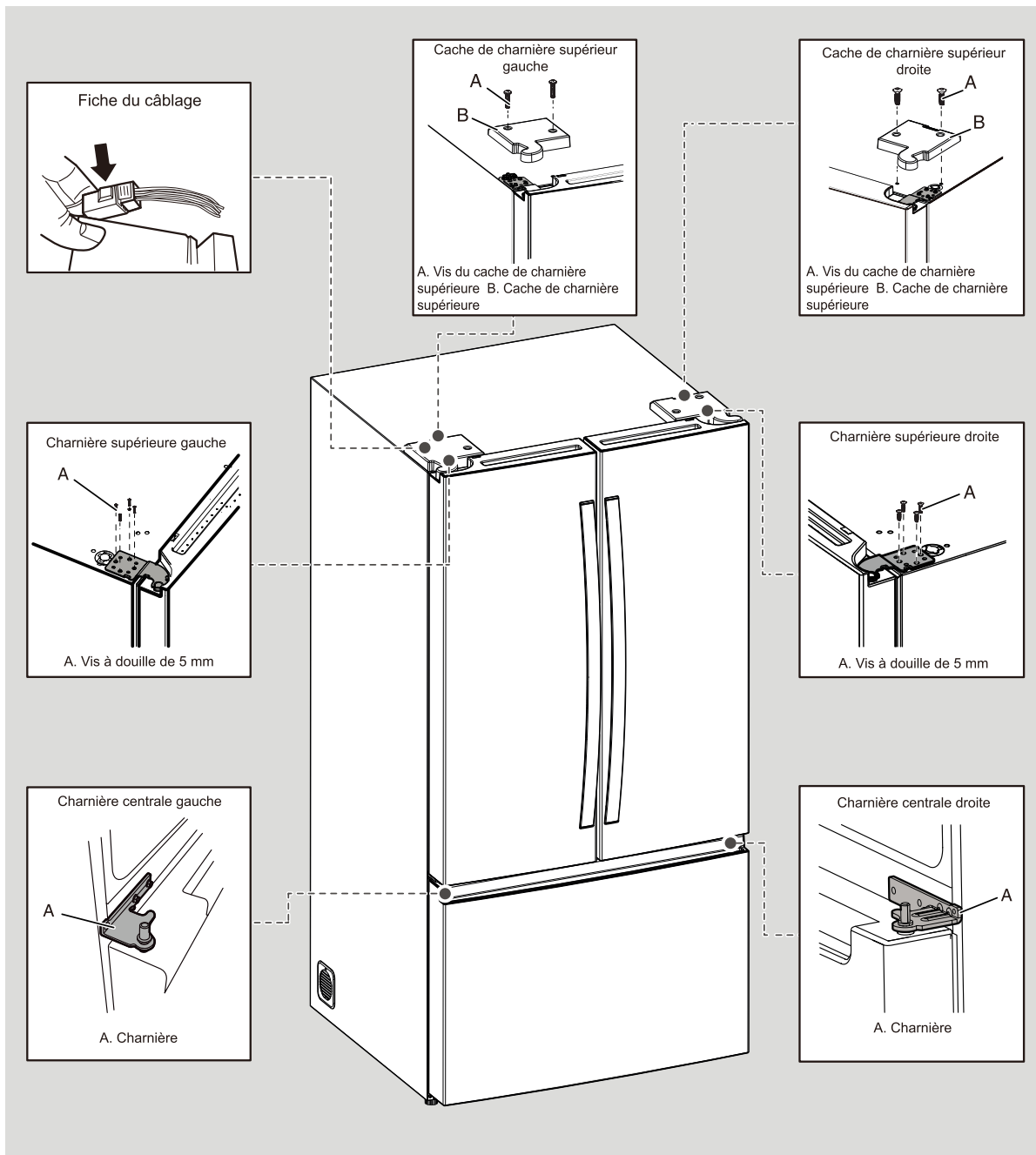
AVERTISSEMENT

Risque de choc électrique

Débranchez l'alimentation avant de retirer les portes.

Le non-respect de ceci peut entraîner la mort ou un choc électrique.

Style 2 - Sans machine à glaçons dans la porte de gauche



Retirer les portes du réfrigérateur

AVERTISSEMENT



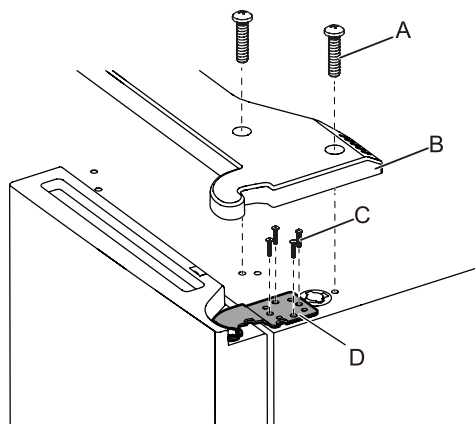
Risque de choc électrique

Débranchez l'alimentation avant de retirer les portes.

Le non-respect de ceci peut entraîner la mort ou un choc électrique.

Retirer la porte de droite

1. Débranchez le réfrigérateur ou coupez l'alimentation électrique.
2. Maintenez les portes du réfrigérateur fermées jusqu'à être prêt à les retirer de l'armoire.
REMARQUE : Apportez un support supplémentaire à la porte du réfrigérateur pendant le retrait des charnières. Ne vous reposez pas sur les aimants du joint de porte pour maintenir la porte en place pendant que vous travaillez.
3. À l'aide d'un tournevis cruciforme, retirez le cache de la charnière supérieure.
4. À l'aide d'une clé à douille de 5 mm, retirez les quatre vis de la charnière supérieure et mettez-les de côté.



- A. Vis du cache de la charnière supérieure
- B. Cache de la charnière supérieure
- C. Vis à douille de 5 mm
- D. Charnière supérieure

AVERTISSEMENT

Risque lié au poids excessif

Soyez deux personnes ou plus pour soulever la porte de l'appareil.

Le non-respect de ceci peut entraîner des blessures ou dos ou autres.

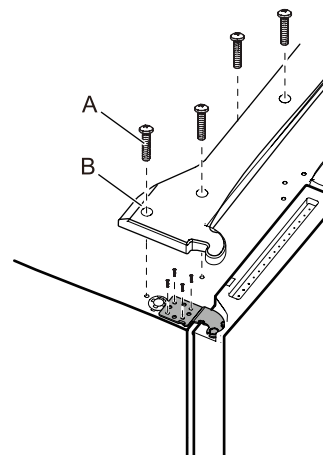
5. Soulevez la porte du réfrigérateur à partir de l'axe de la charnière centrale. La charnière supérieure se détache avec la porte.

Retirer la porte de gauche

IMPORTANT : Le câblage de l'interface utilisateur passe par la charnière de la porte de gauche, il doit donc être débranché avant de retirer la porte.

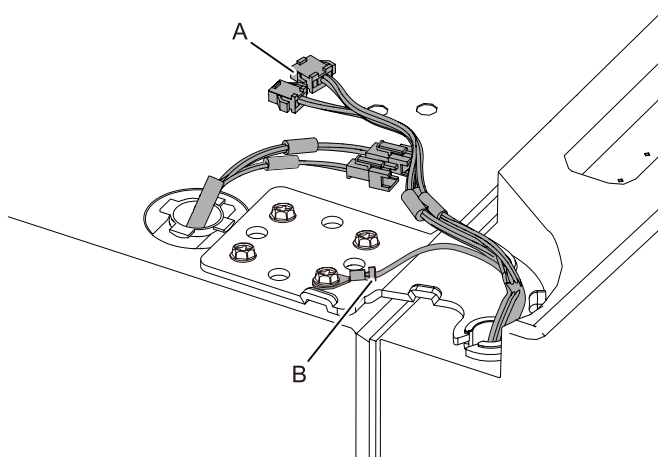
Style 1 – Machine à glaçons dans la porte de gauche

1. À l'aide d'un tournevis cruciforme, retirez le cache de la charnière supérieure.



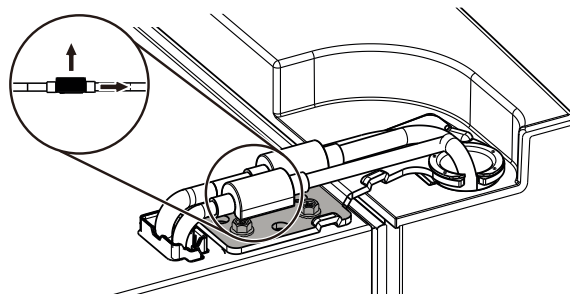
- A. Vis du cache de la charnière supérieure
- B. Cache de la charnière supérieure

2. Débranchez les deux fiches de câblage situées sur le dessus de la charnière de la porte.
 - Saisissez chaque côté des fiches du câblage. Avec votre pouce gauche, appuyez pour dégager le loquet et séparez les sections des fiches.

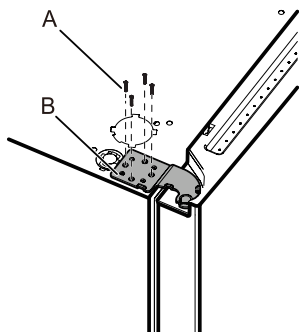


- A. Fiche du câblage
- B. Connecteur de masse (terre)

3. Débranchez le tube du distributeur d'eau situé sur le dessus de la charnière de la porte. Tirez fermement sur le fermoir. Puis extrayez le tube du raccord.
REMARQUE : Le tube du distributeur d'eau reste fixé à la porte de gauche du réfrigérateur.



- À l'aide d'une clé à douille de 5 mm, retirez les quatre vis internes de la charnière supérieure et mettez-les de côté.



A. Vis à douille de 5 mm
B. Charnière supérieure

REMARQUE : Apportez un support supplémentaire à la porte du réfrigérateur pendant le retrait des charnières. Ne vous reposez pas sur les aimants du joint de porte pour maintenir la porte en place pendant que vous travaillez.

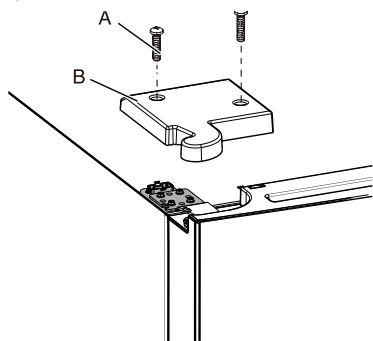
- Soulevez la porte du réfrigérateur à partir de l'axe de la charnière inférieure. La charnière supérieure se détache avec la porte.

REMARQUE : Il peut ne pas être nécessaire de retirer les pieds à freins pour traverser un encadrement de porte avec le réfrigérateur.

- Uniquement si nécessaire, utilisez une clé à douille de 6 mm et un tournevis cruciforme n° 2 pour retirer la charnière centrale.

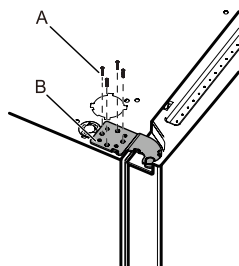
Style 2 - Sans machine à glaçons dans la porte de gauche

- À l'aide d'un tournevis cruciforme, retirez le cache de la charnière supérieure.



A. Vis du cache de la charnière supérieure
B. Cache de la charnière supérieure

- À l'aide d'une clé à douille de 5 mm, retirez les quatre vis internes de la charnière supérieure et mettez-les de côté.



A. Vis à douille de 5 mm
B. Charnière supérieure

REMARQUE : Apportez un support supplémentaire à la porte du réfrigérateur pendant le retrait des charnières. Ne vous reposez pas sur les aimants du joint de porte pour maintenir la porte en place pendant que vous travaillez.

- Soulevez la porte du réfrigérateur à partir de l'axe de la charnière inférieure. La charnière supérieure se détache avec la porte.

REMARQUE : Il peut ne pas être nécessaire de retirer les pieds à freins pour traverser un encadrement de porte avec le réfrigérateur.

- Uniquement si nécessaire, utilisez une clé à douille de 6 mm et un tournevis cruciforme n° 2 pour retirer la charnière centrale.

Remettre la porte de droite du réfrigérateur

- Placez la porte de droite sur l'axe de la charnière centrale.
- Insérez la goupille de la charnière supérieure dans le trou ouvert en haut de la porte du réfrigérateur.
- À l'aide de quatre vis à douille de 5 mm, fixez la charnière à l'armoire. Ne serrez pas complètement les vis.

Remettre la porte de gauche du réfrigérateur

- Placez la porte de gauche sur l'axe de la charnière centrale.
- À l'aide de quatre vis à douille de 5 mm, fixez la charnière à l'armoire. Ne serrez pas complètement les vis.
- Rebranchez le câblage électrique.
 - Rapprochez les deux sections de la fiche du câblage.
 - Reconnectez le fil de terre à la vis de la charnière.

Étapes finales

- Serrez complètement les huit vis à douille de 5 mm.
- Remettez les caches des charnières.

Retirer et remettre les portes du congélateur

Selon la largeur de l'ouverture de votre porte, il peut être nécessaire de retirer la porte du congélateur pour déplacer le réfrigérateur dans votre domicile.

IMPORTANT :

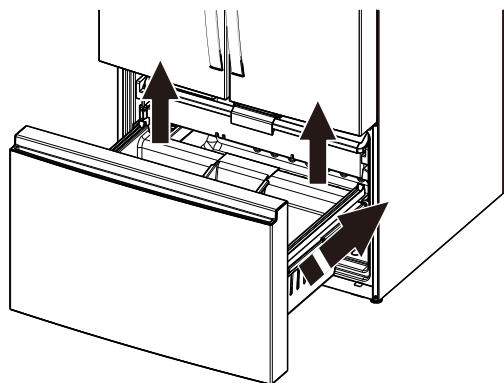
- Si le réfrigérateur a déjà été installé et que vous le déplacez hors du domicile, avant de commencer, éteignez la commande du réfrigérateur et débranchez-le ou coupez l'alimentation électrique.
- Retirez des portes les aliments et les bacs réglables ou utilitaires.
- Deux personnes peuvent être nécessaires pour retirer et remettre la porte du congélateur.

Outils nécessaires : Tournevis cruciforme.

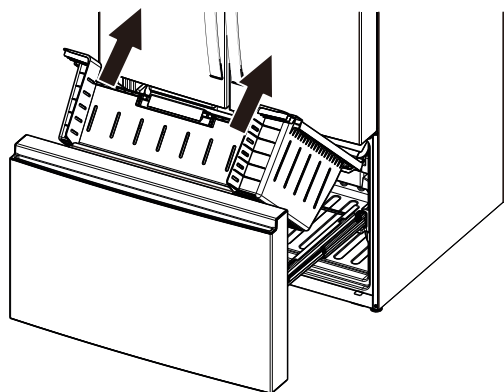
Retirer et replacer la porte du congélateur ou retirer le tiroir du congélateur

REMARQUE : Qu'il s'agisse de retirer la porte du congélateur, de la remettre ou de retirer le tiroir du congélateur, vous devez d'abord effectuer les étapes 1 à 3, puis sélectionner les étapes 4, 5 et 6 en fonction de vos besoins.

1. Ouvrez complètement la porte du congélateur.
2. Soulevez le tiroir supérieur et poussez-le vers l'avant, vers l'intérieur de l'armoire.

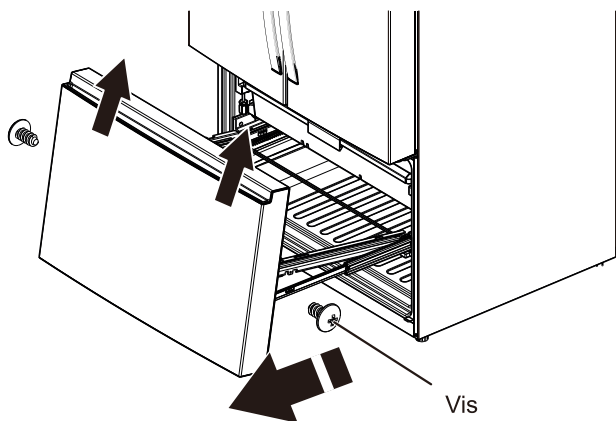


3. Retirez le tiroir du bas et sortez-le de l'armoire.



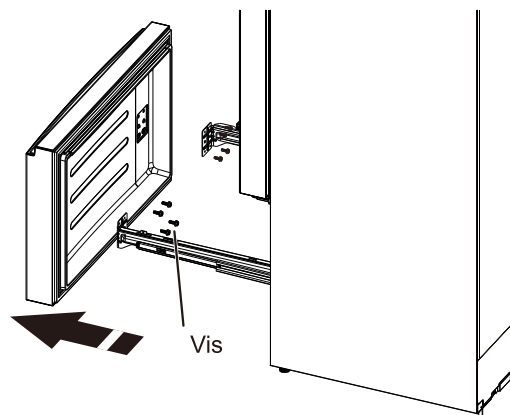
4. Retirez la porte du congélateur

Utilisez un tournevis cruciforme pour retirer les vis reliant la porte du congélateur au rail de guidage, une vis de chaque côté, soulevez la porte du congélateur et retirez-la.



5. Remettre la porte du congélateur

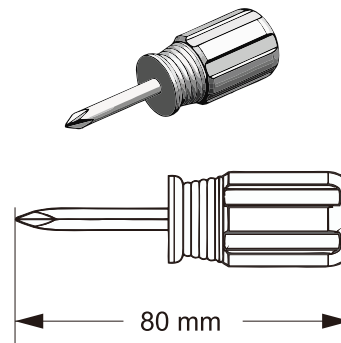
Utilisez un tournevis cruciforme pour retirer les quatre vis de chaque côté de la porte et du support métallique, puis retirez la porte et remplacez-la par une nouvelle.



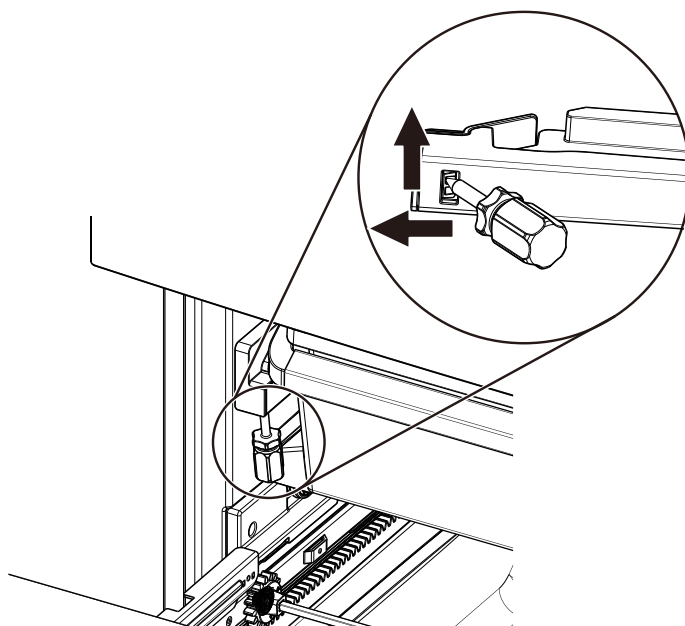
6. Retirer le tiroir supérieur du congélateur

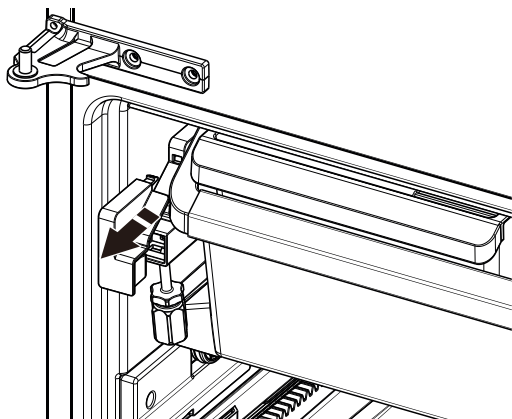
REMARQUE : Ne faites retirer le tiroir supérieur du congélateur que par des professionnels du service après-vente.

- Trouvez un tournevis cruciforme adapté et d'une longueur totale inférieure à 80 mm.



- Insérez la tête du tournevis dans la fente de la boucle sous le pignon d'arrêt gauche, exercez un effort vers le haut et vers l'extérieur sur la boucle pour la dégager et retirez le pignon d'arrêt gauche.





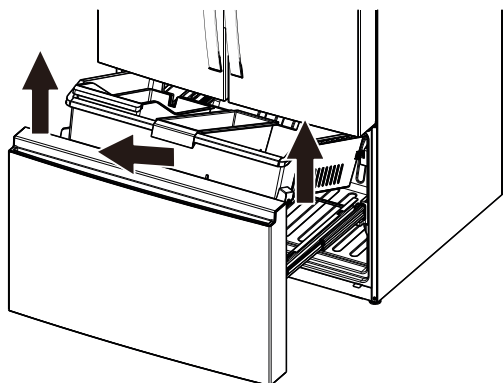
Installation et retrait des poignées

Pièces fournies : poignées de porte de réfrigérateur (2), clé à douille à tête hexagonale 1/4 po (1), instructions pour installer les poignées dans les portes (1).

Installer les poignées

REMARQUE : Le kit de poignées est fourni avec des instructions afin d'installer les poignées dans les portes. Veuillez les suivre avec précaution.

- Sortez le tiroir supérieur jusqu'à la position de butée et soulevez-le vers le haut.



Étapes finales

⚠ AVERTISSEMENT



Risque de décharge électrique

Brancher l'appareil sur une prise à 3 alvéoles reliée à la terre.

Ne pas enlever la prise de liaison à la terre.

Ne pas utiliser d'adaptateur.

Ne pas utiliser de rallonge.

Le non-respect de ces instructions peut causer un décès, un incendie ou une décharge électrique.

1. Branchez sur une prise reliée à la masse (terre).
2. Remettez toutes les pièces amovibles et les aliments dans les tiroirs.

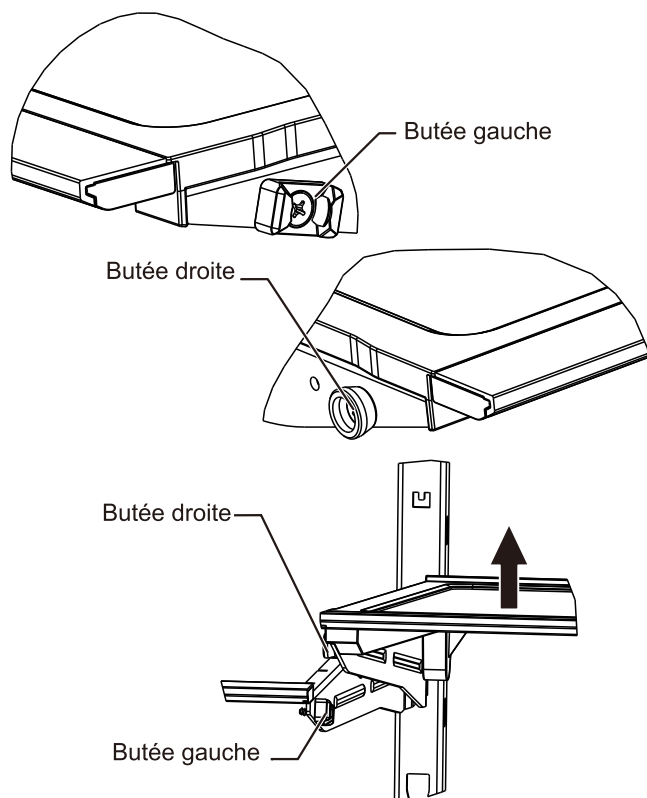
Clayettes, bacs et tiroirs

Clayettes et cadres de clayettes

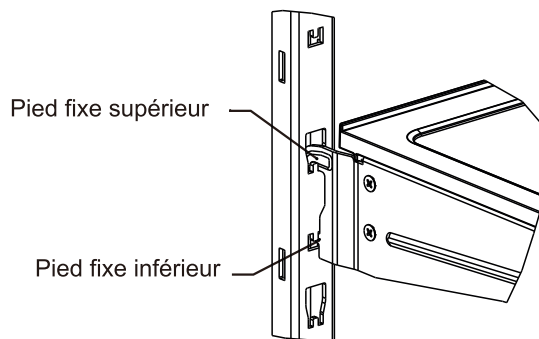
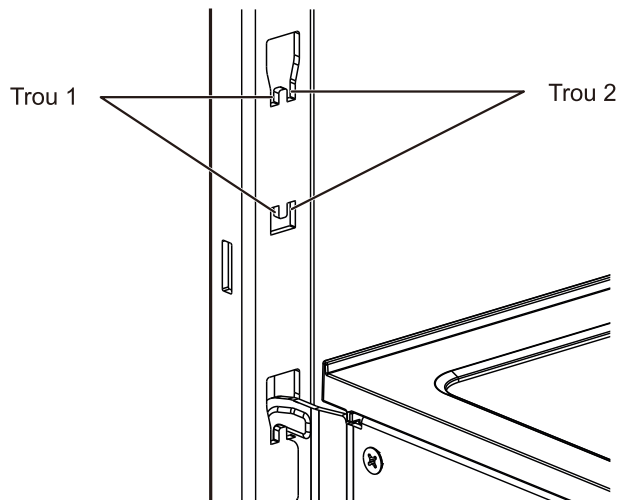
Les demi-clayettes de votre réfrigérateur sont réglables pour répondre à vos besoins de conservation propres. En conservant ensemble des aliments similaires dans votre réfrigérateur et en ajustant les clayettes pour s'adapter à différentes hauteurs d'aliments, vous pouvez trouver plus facilement le produit exact que vous souhaitez. Cela réduit également le temps pendant lequel la porte du réfrigérateur est ouverte et économise de l'énergie.

Pour retirer et remplacer une demi-clayette avec cadre de clayette :

1. Retirez la clayette en tenant le bord avant de la demi-clayette gauche et inclinez la demi-clayette droite vers le haut jusqu'à ce que la butée gauche et droite soient séparées.



2. Retirez la clayette entière hors de ses supports en la soulevant.
3. Remettez la clayette en place en guidant le pied fixe supérieur dans le support de clayette. Inclinez l'avant de la clayette vers le haut jusqu'à ce que le pied fixe supérieur tombe dans les supports de la clayette.



REMARQUE : Le trou 1 ne peut être utilisé que pour le support de la demi-clayette gauche et le trou 2 ne peut être utilisé que pour le support de la demi-clayette droite. S'il est mal placé, la clayette est instable et ne peut pas être utilisée.

4. Abaissez l'avant de la clayette et assurez-vous que le pied fixe inférieur est en place.

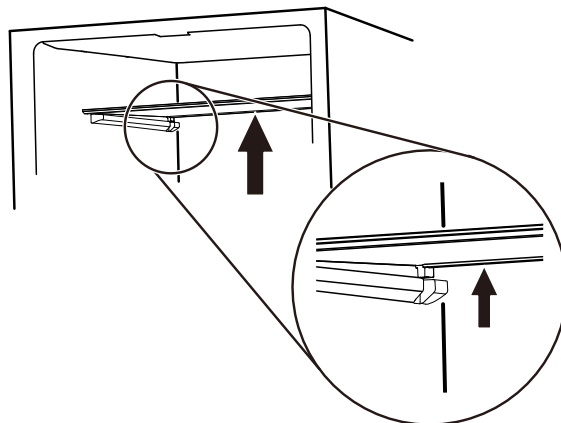
Clayettes en verre intégral

IMPORTANT :

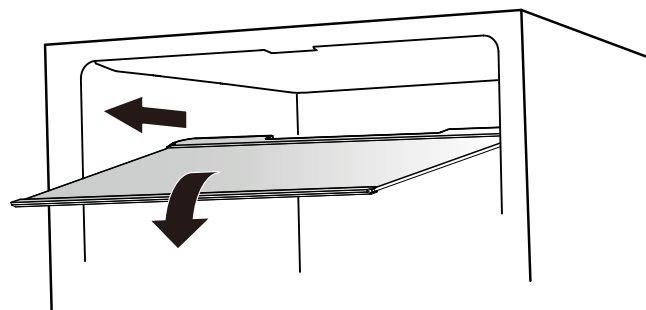
- La hauteur des clayettes en verre intégral n'est pas réglable.
- Si vous souhaitez retirer le couvercle en verre du bac à légumes, vous devez d'abord retirer les portes du réfrigérateur.

Retrait et réinstallation d'une tablette complète en verre :

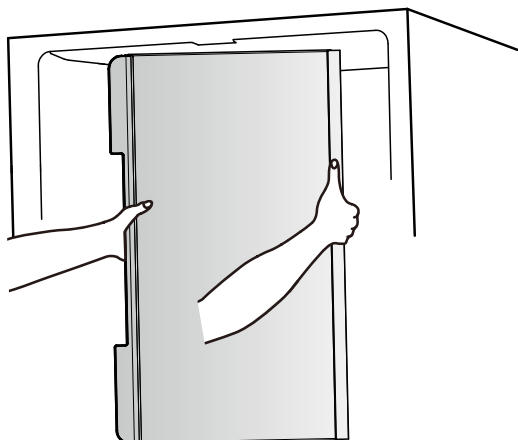
1. Maintenez le bas de la clayette en verre avec vos mains et soulevez-la jusqu'à ce que la butée à l'arrière de celle-ci soit dégagée des nervures.



2. Déplacez la clayette en verre vers l'avant et abaissez la clayette avant jusqu'à ce que la garniture arrière soit hors des supports.



3. Retirez la clayette et veillez à ne pas endommager la porte du réfrigérateur.
4. Si l'étape 3 n'est pas facile à réaliser, faites pivoter la clayette en verre jusqu'à la position indiquée sur la figure, puis retirez-la.



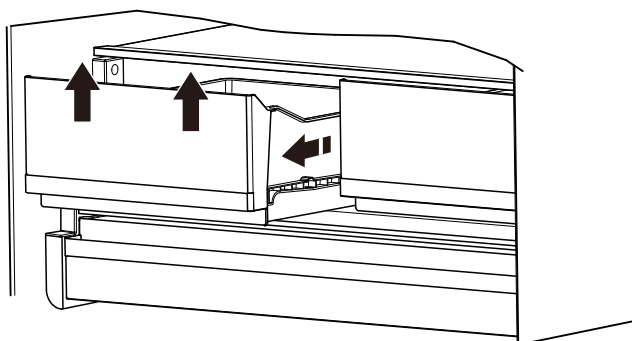
Compartiments de rangement du congélateur

- Utiliser ces tiroirs pour congeler une grande quantité d'aliments frais ou cuisinés (de la meilleure façon ou de la façon la plus rapide).
- L'option Fast Freeze (Congélation rapide) permet de ranger en toute sécurité les aliments surgelés.

Tiroirs à légumes

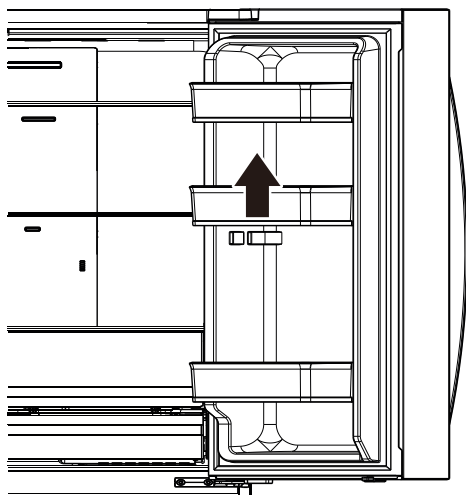
Pour retirer et remettre les tiroirs :

1. Saisissez la poignée située au bas du tiroir et faites glisser le tiroir jusqu'à la butée. Soulevez le tiroir hors du guide inférieur.
2. Remettez le tiroir en place en le plaçant sur son guide inférieur et en le poussant au-delà de la butée du tiroir pour le mettre en place.



Bacs de porte du réfrigérateur

Les bacs de porte de votre réfrigérateur sont réglables pour répondre à vos besoins de stockage personnels. Les bacs facilitent la personnalisation du rangement de la porte pour contenir des récipients d'un gallon.



FICHE DE DONNÉES DE PERFORMANCE

Système de filtration de l'eau

Modèle W11569863 (PID), W11569861 (sans PID)

Numéros de modèles de l'élément de remplacement : EDRARXD1/EDRARXD1B/W11536439/WHRARXD1/
WHRARXD1B/KADARXD1/KADARXD1B/MAYARXD1/MAYARXD1B/W11486187

Capacité de 200 gallons (757 L) avec PID W11569863, 100 gallons (379 L) sans PID W11569861.



Système testé et homologué par UL LLC en vertu des normes NSF/ANSI 42, 53 et 401, ainsi que CSA B483.1 pour la réduction de contaminants spécifiés sur la fiche de données de performance suivante.

Ce système a été testé selon les normes NSF/ANSI 42, 53, 401 et CSA B483.1 pour la réduction des substances énumérées ci-dessous. La concentration des substances indiquées dans l'eau entrant dans le système a été réduite à une concentration inférieure ou égale à la limite permise pour l'eau qui quitte le système, comme spécifié par les normes ANSI/NSF 42, 53 et 401, ainsi que CSA B483.1.

Réduction concentration produits de désinfection	Concentration dans l'eau à traiter	Exigences de réduction	Réduction de concentration % moy.	% de réd. minimale
Chlore goût/odeur	2,0 mg/L ± 10 %	Réduction de ≥ 50 %	99,39	99
Particules (classe I*)	Au moins 10 000 particules/mL	Réduction de ≥ 85 %	99,52	99,33
Réduction des contaminants	Concentration dans l'eau à traiter	Exigences de réduction	Réduction de concentration % moy.	% de réd. minimale
Plomb : à pH 6,5/à pH 8,5	0,150 mg/L ± 10 %	0,005 mg/L	99,29/99,84	99,07/99,46
Mercure : à pH 6,5/à pH 8,5	0,006 mg/L ± 10 %	0,002 mg/L	97,38/92,78	92,98/75,86
Amiante	10 ⁷ à 10 ⁸ fibres/L††	≥ 99 %	> 99	> 99
Kystes†	50 000/L min.	≥ 99,95 %	≥ 99,997	> 99,997
Atrazine	0,009 mg/L ± 10 %	0,003 mg/L	> 98,98	> 98,95
Benzène	0,015 mg/L ± 10 %	0,005 mg/L	> 99,28	> 99,17
Carbofurane	0,080 mg/L ± 10 %	0,040 mg/L	83,93	58,7
Lindane	0,002 mg/L ± 10 %	0,0002 mg/L	95,22	95
P-dichlorobenzène	0,225 mg/L ± 10 %	0,075 mg/L	99,95	99,95
Tétrachloroéthène	0,015 mg/L ± 10 %	0,005 mg/L	99,33	99,29
Toxaphène	0,015 mg/L ± 10 %	0,003 mg/L	99,27	99,17
O-dichlorobenzène	1,8 mg/L ± 10 %	0,6 mg/L	> 99,995	> 99,995
Toluène	3,0 mg/L ± 10 %	1,0 mg/L	> 99,996	> 99,996
Styrène	2,0 mg/L ± 10 %	0,1 mg/L	> 99,995	> 99,993
1,2,4 – Trichlorobenzène	0,210 mg/L ± 10 %	0,07 mg/L	> 99,55	> 99,42
Trichloréthylène	0,3 mg/L ± 30 %	0,005 mg/L	> 99,96	> 99,95
Endrin	0,006 mg/L ± 10 %	0,002 mg/L	92,32	83,93
Éthylbenzène	2,1 mg/L ± 10 %	0,7 mg/L	> 99,99	> 99,99

2,4 – D	0,210 mg/L ± 10 %	0,07 mg/L	98,89	94,76
Turbidité	11 NTU ± 10 %	0,5 NTU	98,88	98,17
Aténolol	200 ± 20 %	30 ng/L	95,27	94,98
Carbamazépine	1400 ± 20 %	200 ng/L	96,2	96,09
Linuron	140 ± 20 %	20 ng/L	93,53	92,31
Méprobamate	400 ± 20 %	60 ng/L	94,54	94,32
Triméthoprim	140 ± 20 %	20 ng/L	96,27	95,94
Diéthyltoluamide	1400 ± 20 %	200 ng/L	96,32	96,21
Métolachlore	1400 ± 20 %	200 ng/L	96,67	96,5
Bisphénol A	2000 ± 20 %	300 ng/L	95,07	94,82
Estrone	140 ± 20 %	20 ng/L	96,27	96,15
Nonylphénol	1400 ± 20 %	200 ng/L	92,61	90,48
Naproxène	140 ± 20 %	20 ng/L	96,09	95,83
Ibuprofène	400 ± 20 %	60 ng/L	95,44	95,13
TCP	5000 ± 20 %	700 ng/L	92,78	92,59
TCEP	5000 ± 20 %	700 ng/L	96,62	96,55
Phénytoïne	200 ± 20 %	30 ng/L	95,6	95,12
COV**	0,300 mg/L ± 10 %	0,015 mg/L	> 99,58	> 96,21

Paramètres de tests : pH = 7,5 ± 0,5 à moins d'indications contraires. Débit = 0,52 gpm (1,97 Lpm). Pression = 60 lb/po² (413,7 kPa). Température = 68 °F à 71,6 °F (20 °C à 22 °C). Capacité de service nominale = 200 gallons (757 L) W11569863 avec PID, 100 gallons (379 L) W11569861 sans PID.

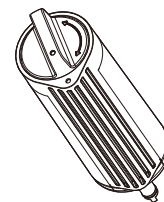
Les composés certifiés en vertu de la norme NSF 401 sont considérés comme appartenant à la catégorie des « composés émergents/contaminants secondaires ». Les composés émergents/contaminants secondaires ont été détectés à de faibles concentrations dans des sources d'approvisionnement en eau potable. Même s'ils n'apparaissent qu'à de faibles concentrations, ces composés peuvent influencer la perception et le niveau d'acceptation de la qualité de l'eau de consommation par le public.

- Il est essentiel que les exigences de fonctionnement, d'entretien et de remplacement de filtre soient respectées pour que ce produit donne le rendement annoncé. Des dommages à la propriété peuvent se produire lorsque les instructions ne sont pas toutes respectées.
- La cartouche jetable doit être changée au moins tous les 6 mois. Le média d'absorption dépensé ne sera pas régénéré et utilisé.
- Utiliser le remplacement EDRARXD1/B, WHRARXD1/B, KADARXD1/B, MAYARXD1/. Prix suggéré au détail en 2024 de 59.99 \$ US/69.99 \$ CAN. Les prix sont indiqués sous réserve de modification. Offert au www.everydropwater.com
- Le système de contrôle du filtre mesure la quantité d'eau qui passe par le filtre et indique quand remplacer le filtre. Pour savoir comment vérifier l'état du filtre, consulter « Utiliser les commandes » ou « Système de filtration d'eau » dans les instructions d'utilisation ou le guide d'utilisation.
- Après avoir remplacé le filtre à eau, purger le système d'eau. Voir les sections « Distributeur d'eau et de glaçons » ou « Distributeur d'eau » dans les instructions d'utilisation ou le guide d'utilisation.
- Ces contaminants ne sont pas nécessairement présents dans l'approvisionnement d'eau. Même si le test a été effectué dans des conditions de laboratoires standard, le rendement réel peut varier.
- Le produit doit être utilisé pour l'eau froide seulement.
- Le circuit d'eau doit être installé conformément aux lois et règlements locaux et à ceux de la province concernée.
- La performance réelle peut varier puisque le test a été effectué sous des conditions de laboratoires standard.
- Ne pas utiliser ce produit pour filtrer une eau microbiologiquement polluée ou de qualité inconnue en l'absence d'un dispositif de désinfection adéquat en amont ou en aval du système. Les systèmes certifiés pour la réduction des kystes peuvent être utilisés pour une eau désinfectée susceptible de contenir des kystes filtrables. Étab. EPA no 85075-SG-001
- Consulter la section « Garantie » (dans les instructions d'utilisation ou le guide d'utilisation) pour connaître la garantie limitée, le nom et le numéro de téléphone du fabricant.

Directives d'application/paramètres d'approvisionnement en eau

Directives d'application/paramètres d'approvisionnement en eau	
Source d'eau	Puits ou collectivité
Pression d'eau	30 à 120 lb/po ² (207 kPa à 827 kPa)
Température de l'eau	33 °F à 100 °F (0,6 °C à 37,8 °C)
Débit nominal	0,52 gpm (1,97 Lpm) à 60 lb/po ² (413,7 kPa)

- Le système de filtration d'eau peut prendre en charge une pression d'eau pouvant atteindre 120 livres par pouce carré (lb/po²). Si l'alimentation en eau est supérieure à 80 lb/po² (551,58 kPa), installer un détendeur avant d'installer le système de filtration d'eau.
- Conforme à la norme NSF/ANSI 53 pour la réduction de COV. Voir le tableau ci-dessous pour les contaminants individuels et la performance de réduction.



*Classe I – taille des particules : >0,5 à >1 um

**Cette performance COV compte pour le retrait de 39 contaminants selon le test COV indirect

† Sur la base de l'utilisation de microsphère de polystyrène

†† Filtres de longueur supérieure à 10 um

La fiche de données relatives au rendement de la réduction des produits chimiques organiques est incluse dans le test indirect

Substance	Concentration dans l'eau à traiter (mg/l)	Limite permise de concentration du produit dans l'eau (mg/l)
Alachlore	0,050	0,001
Atrazine	0,100	0,003
Benzène	0,081	0,001
Carbofurane	0,190	0,001
Tétrachlorure de carbone	0,078	0,0018
Chlorobenzène	0,077	0,001
Chloropicrine	0,015	0,0002
2,4-d	0,110	0,0017
Dibromo-3-chloropropane (DBCP)	0,052	0,00002
O-dichlorobenzène	0,080	0,001
p-dichlorobenzène	0,040	0,001
1,2-dichloroéthane	0,088	0,0048
1,1-dichloroéthène	0,083	0,001
Cis-1,2-dichloroéthène	0,170	0,0005
Trans-1,2-dichloroéthène	0,086	0,001
1,2-dichloropropane	0,080	0,001
Cis-1,3-dichloropropène	0,079	0,001
Dinosèbe	0,170	0,002
Endrin	0,053	0,00059
Éthylbenzène	0,088	0,001
1,2-dibromoéthane (EDB)	0,044	0,00002
Haloacétonitriles (HAN)		
Bromochloroacétonitrile	0,022	0,0005
Dibromoacétonitrile	0,024	0,0006
Dichloroacétonitrile	0,0096	0,0002
Trichloroacétonitrile	0,015	0,0003
Halocétones (HK)		
1,1-dichloro-2-propanone	0,0072	0,0001
1,1,1-trichloro-2-propanone	0,0082	0,0003

Heptachlore	0,025	0,00001
Époxyde d'heptachlore	0,0107	0,0002
Hexachlorobutadiène	0,044	0,001
Hexachlorocyclopentadiène	0,060	0,000002
Lindane	0,055	0,00001
Méthoxychlore	0,050	0,0001
Pentachlorophénol	0,096	0,001
Simazine	0,120	0,004
Styrène	0,150	0,0005
1,1,2,2-tétrachloroéthane	0,081	0,001
Tétrachloroéthène	0,081	0,001
Toluène	0,078	0,001
2,4,5-TP (Silvex)	0,270	0,0016
Acide tribromoacétique	0,042	0,001
1,2,4-trichlorobenzène	0,160	0,0005
1,1,1-trichloroéthane	0,084	0,0046
1,1,2-trichloroéthane	0,150	0,0005
Trichloréthylène	0,180	0,0010
Trihalogénométhanés (incluant) Chloroforme (chimique auxiliaire) Bromoforme Bromodichlorométhane Chlorodibromométhane	0,300	0,015
Xylènes (total)	0,070	0,001

Assistance client **1.800.442.9991**
par Whirlpool Corporation
2000 North M63
Benton Harbor, MI 49022

Seguridad del frigorífico

Su seguridad y la de los demás son muy importantes.

Hemos incluido muchos mensajes de seguridad importantes en este manual y en el electrodoméstico. Lea todos los mensajes de seguridad y cumpla siempre lo que en ellos se dice.



Este es el símbolo de alerta de seguridad.

Este símbolo le alerta de peligros potenciales que pueden matarle o herirle tanto a usted como a otras personas. Todos los mensajes de seguridad irán seguidos del símbolo de alerta de seguridad y de la palabra "PELIGRO" o "ADVERTENCIA". Estas palabras significan:

PELIGRO

Puede morir o resultar gravemente herido si no sigue inmediatamente las instrucciones.

ADVERTENCIA

Puede morir o resultar gravemente herido si no sigue las instrucciones.

Todos los mensajes de seguridad le indicarán cuál es el peligro potencial, le indicarán cómo reducir la posibilidad de lesiones y le indicarán qué puede ocurrir si se incumplen las instrucciones.

INSTRUCCIONES DE SEGURIDAD IMPORTANTES

ADVERTENCIA: Para reducir el riesgo de incendio, descarga eléctrica o lesiones personales al utilizar el electrodoméstico, siga las precauciones básicas, incluidas las siguientes:

- Vigile a los niños para asegurarse de que no jueguen con el electrodoméstico.
- Este electrodoméstico no está diseñado para que lo utilicen personas (incluidos los niños) con capacidad física, sensorial o mental reducida, o sin experiencia ni conocimientos, a menos que hayan recibido la supervisión o instrucciones pertinentes respecto al uso del mismo por parte de una persona responsable de su seguridad.
- No utilice un alargador.
- Si el cable de alimentación está dañado, el fabricante, su agente de servicio o una persona cualificada similar debe reemplazarlo para evitar peligros.
- Conectar únicamente al suministro de agua potable.
- Este electrodoméstico está indicado para utilizarse en aplicaciones domésticas y similares, tales como: zonas de cocina para el personal en tiendas, oficinas y otros entornos de trabajo; casas de campo; por clientes en hoteles, moteles y otros entornos de tipo residencial; entornos de tipo de alojamiento; y restauración y aplicaciones similares no minoristas.
- No almacene en este electrodoméstico sustancias explosivas como botes de aerosol con propelente inflamable.
- Utilice los juegos de manguitos nuevos suministrados con el electrodoméstico y no reutilice los viejos.
- No utilice piezas de repuesto no recomendadas por el fabricante (por ejemplo, piezas fabricadas en casa con una impresora 3D).
- Mantenga las aberturas de ventilación, ya sea en la carcasa del electrodoméstico o en la estructura integrada, libres de obstrucciones.
- No utilice dispositivos mecánicos u otros medios para acelerar el proceso de descongelación que no sean los recomendados por el fabricante.
- No dañe el circuito de refrigerante.
- No use electrodomésticos dentro de los compartimientos de almacenamiento de alimentos del electrodoméstico, a menos que sean del tipo recomendado por el fabricante.
- El kit de fabricación de hielo puede incorporarse a algunos modelos. Consulte la etiqueta de serie situada en el interior del compartimento de alimentos del electrodoméstico para obtener información sobre el modelo del kit de fabricación de hielo.
- Un técnico cualificado debe instalar la tubería de agua y la máquina fabricación de hielo. Consulte las instrucciones de instalación suministradas con el kit de fabricación de hielo para obtener todos los detalles.
- Al colocar el electrodoméstico, asegúrese de que el cable de alimentación no quede atrapado ni sufra daños.
- No coloque varias tomas de corriente portátiles o fuentes de alimentación portátiles en la parte trasera del electrodoméstico.

GUARDAR ESTAS INSTRUCCIONES

Eliminación adecuada del frigorífico antiguo

ADVERTENCIA: Riesgo de atrapamiento para los niños. Antes de deshacerse del frigorífico o congelador antiguo:

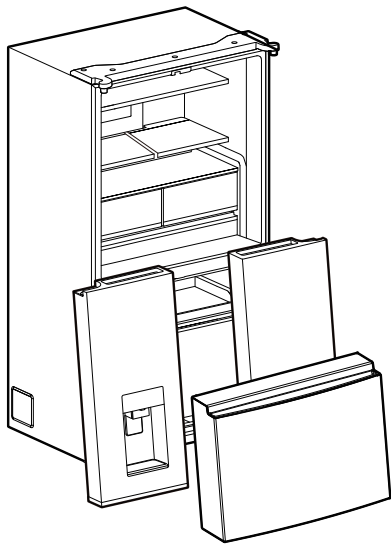
- Quite las puertas.
- Deje las baldas en su sitio para que los niños no puedan trepar fácilmente al interior.

ADVERTENCIA

Peligro de asfixia

Desmontar las puertas o la tapa del electrodoméstico antiguo.

Si no lo hace, se puede provocar la muerte o lesiones cerebrales.



IMPORTANTE: El atrapamiento y la asfixia de niños no son problemas del pasado. Los congeladores o frigoríficos desechados o abandonados siguen siendo peligrosos, aunque permanezcan “solo unos días”. Si va a deshacerse de su antiguo frigorífico o congelador, siga estas instrucciones para evitar accidentes.

Información importante sobre la eliminación de refrigerantes:

Deshágase del frigorífico de acuerdo con las regulaciones federales y locales. Los refrigerantes deben ser evacuados por un técnico de refrigerantes autorizado y certificado por la EPA de acuerdo con los procedimientos establecidos.

CUIDADO DEL FRIGORÍFICO

Limpieza

⚠ ADVERTENCIA



Riesgo de explosión

Riesgo de incendio o explosión.

Se utiliza refrigerante inflamable.

No use dispositivos mecánicos para descongelar el refrigerador.

No perfore la tubería del refrigerante.

Tanto el frigorífico como el congelador se descongelan automáticamente. Sin embargo, limpie ambas secciones aproximadamente una vez al mes para evitar la acumulación de olores. Limpie las salpicaduras inmediatamente.

IMPORTANTE :

- Dado que el aire circula entre todas las secciones, cualquier olor que se forme en una de ellas se transferirá a la otra. Debe limpiar a fondo todas las secciones para eliminar los olores. Para evitar la transferencia de olores y la desecación de los alimentos, envuélvalos o cúbralos bien.
- No utilice productos de limpieza abrasivos o fuertes, como aerosoles para cristales, productos de limpieza decapantes, líquidos inflamables, ácido muriático, ceras limpiadoras, detergentes concentrados, lejías o limpiadores que contengan productos derivados del petróleo en las puertas y el armario, en las piezas de plástico, en los revestimientos interiores y de las puertas o en las juntas. No utilice toallitas de papel, estropajos ni otros utensilios de limpieza agresivos.
- Para los modelos de acero inoxidable, el acero inoxidable es resistente a la corrosión y no a prueba de corrosión. Para evitar la corrosión del acero inoxidable, mantenga limpias las superficies siguiendo estas instrucciones de limpieza.

Limpie la pantalla táctil en el panel del despachador (en algunos modelos) :

1. Para evitar cambiar los ajustes accidentalmente, asegúrese que el refrigerador esté desconectado o que se haya desconectado el suministro de energía antes de limpiar la pantalla.
2. Mezcle una solución de detergente suave en agua tibia. Humedezca un paño suave que no deje pelusa con la solución y limpie la pantalla cuidadosamente.
NOTA : No rocíe ni limpie líquidos directamente sobre la pantalla, ni empape el paño demasiado.
3. Enchufe el refrigerador o reconecte el suministro de energía.

Limpieza externa

IMPORTANTE : La garantía no cubre los daños al acabado liso debidos al uso inadecuado de productos de limpieza o de productos de limpieza no recomendados. Los utensilios filosos o de punta roma estropearán el acabado.

1. Desenchufe el refrigerador o desconecte el suministro de energía.
2. Utilizando una esponja o paño suave y una solución de detergente suave y agua tibia, lave, enjuague y seque a fondo el exterior de acero inoxidable y metal pintado.

Para mantener el aspecto de nuevo de su refrigerador de acero inoxidable y para quitar marcas o arañazos pequeños, se sugiere usar el limpiador y pulidor para acero inoxidable aprobado por el fabricante. Este limpiador es únicamente para piezas de acero inoxidable. Para obtener información sobre cómo realizar pedidos, consulte la Guía de inicio rápido.

NOTA : Cuando limpie el acero inoxidable, siempre hágalo en la dirección de la veta para evitar rayones.

No permita que el limpiador y pulidor para acero inoxidable entre en contacto con ninguna pieza plástica, como piezas decorativas, cubiertas de despachadores o juntas de puertas. Si se produce el contacto accidental, limpie la pieza plástica con una esponja y detergente suave en agua tibia. Seque meticulosamente con un paño suave.

3. Enchufe el refrigerador o reconecte el suministro de energía.

Consulte la información de limpieza exterior específica de su modelo.

Acero inoxidable antihuellas

Estilo 1: puerta lisa/metal pintado

USAR	NO USAR
<ul style="list-style-type: none">■ Paño suave y limpio	<ul style="list-style-type: none">■ Paños abrasivos■ Toallas de papel o papel de periódico■ Almohadillas de lana de acero
<ul style="list-style-type: none">■ Agua tibia jabonosa con un detergente suave	<ul style="list-style-type: none">■ Polvos o líquidos abrasivos■ Aerosoles para ventanas■ Amoníaco■ Productos de limpieza ácidos o a base de vinagre■ Productos de limpieza para hornos■ Líquidos inflamables

NOTA: Las toallitas de papel rayan y pueden deslustrar la capa transparente de la puerta pintada. Para evitar posibles daños, utilice únicamente paños suaves y limpios para pulir y limpiar la puerta.

Estilo 2: Acero inoxidable

USAR	NO USAR
<ul style="list-style-type: none">■ Paño suave y limpio	<ul style="list-style-type: none">■ Paños abrasivos■ Toallas de papel o papel de periódico■ Almohadillas de lana de acero
<ul style="list-style-type: none">■ Agua tibia jabonosa con un detergente suave	<ul style="list-style-type: none">■ Polvos o líquidos abrasivos■ Amoníaco■ Productos de limpieza a base de cítricos■ Productos de limpieza ácidos o a base de vinagre■ Productos de limpieza para hornos
<ul style="list-style-type: none">■ En caso de suciedad intensa, utilice únicamente un producto de limpieza y un abrillantador de acero sin manchas aprobado por el fabricante.	<ul style="list-style-type: none">■ Polvos o líquidos abrasivos■ Amoníaco■ Productos de limpieza a base de cítricos■ Productos de limpieza ácidos o a base de vinagre■ Productos de limpieza para hornos■ Paños abrasivos■ Toallas de papel o papel de periódico■ Almohadillas de lana de acero

NOTAS:

- Si se produce un contacto involuntario, limpie la pieza de plástico con una esponja y detergente suave en agua tibia. Séquelo bien con un paño suave.
- Evite exponer los electrodomésticos de acero inoxidable a elementos cáusticos o corrosivos, como entornos con alto contenido en sal o humedad. Los daños debidos a la exposición a estos elementos no están cubiertos por la garantía.
- Que un producto de limpieza sea líquido no significa que no sea abrasivo. Muchos productos de limpieza líquidos formulados para ser suaves con las baldosas y superficies lisas siguen dañando el acero inoxidable.
- Cuando limpie acero inoxidable, hágalo siempre en el sentido de la veta para evitar que se raye.
- El ácido cítrico decolora permanentemente el acero inoxidable. Para evitar dañar el acabado del frigorífico de acero inoxidable:
No permita que estas sustancias permanezcan en el acabado:
 - Mostaza
 - Salsas a base de cítricos
 - Zumo de tomate
 - Productos a base de cítricos
 - Salsa marinara

Limpieza interna

IMPORTANTE: Las baldas del frigorífico con iluminación LED debajo de ellas no son aptas para el lavavajillas.

1. Desenchufe el frigorífico o desconecte la corriente.
2. Lave a mano, aclare y seque bien las piezas desmontables y las superficies interiores. Utilice una esponja limpia o un paño suave y un detergente suave en agua tibia.
3. Enchufe el frigorífico o vuelva a conectar la alimentación.

Limpieza del condensador

⚠ ADVERTENCIA



Riesgo de explosión
Riesgo de incendio o explosión debido a la perforación del tubo de refrigerante.
Siga las instrucciones de manipulación atentamente.
Se utiliza refrigerante inflamable.

No es necesaria la limpieza rutinaria del condensador en un entorno de funcionamiento doméstico normal. Si el entorno es particularmente grasiento o polvoriento o hay mucho movimiento de mascotas en la casa, el condensador debe limpiarse cada 6 meses para garantizar la máxima eficiencia.

1. Desenchufe el frigorífico o desconecte la corriente.
2. Retire la rejilla de la base.
3. Utilice una aspiradora con un cepillo suave para limpiar la rejilla, las zonas abiertas detrás de esta y la superficie frontal del condensador.
4. Vuelva a colocar la rejilla de la base cuando haya terminado.
5. Enchufe el frigorífico o vuelva a conectar la alimentación.

NOTA: Si no puede limpiar el condensador, llame al servicio técnico.

Luces

Las luces de los compartimentos de alimentos frescos y del congelador son LED. Si las luces no se encienden al abrir la puerta, llame para solicitar ayuda o servicio técnico. Para obtener información, consulte la Guía de inicio rápido.

Baldas del frigorífico

Información importante que debe conocer sobre las baldas de cristal y las tapas:

No limpie las baldas de cristal o las tapas con agua tibia cuando estén frías. Las baldas y las tapas pueden romperse si se exponen a cambios bruscos de temperatura o a impactos, como golpes. El vidrio templado está diseñado para hacerse añicos, rompiéndose en muchos trozos pequeños, del tamaño de guijarros. Se trata de un comportamiento normal. Las baldas y las tapas de cristal pesan bastante. Utilice las dos manos para retirarlas para evitar que se caigan.

Las baldas del frigorífico son ajustables para adaptarse a sus requisitos individuales de almacenamiento.

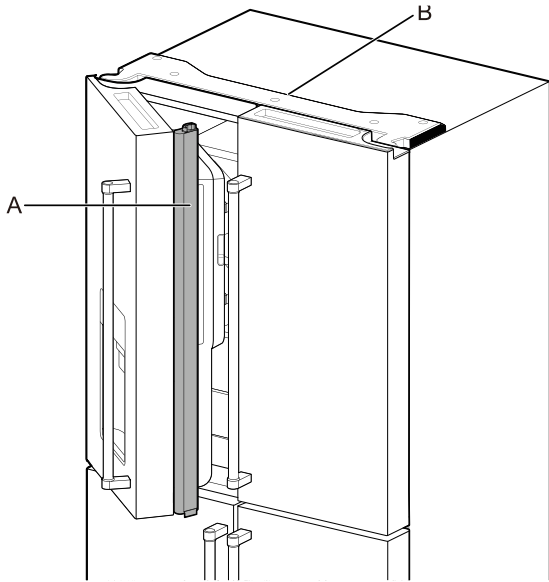
Almacenar alimentos similares juntos en el frigorífico y ajustar las baldas para que se adapten a las diferentes alturas de los artículos permitirá encontrar el artículo exacto que desea de forma más fácil. También reducirá el tiempo que la puerta del frigorífico está abierta y ahorrará energía.

Abrir y cerrar las puertas

Hay dos puertas de compartimento de los alimentos frescos. Las puertas pueden abrirse y cerrarse juntas o por separado. Hay un cierre hermético con bisagras verticalmente en la puerta izquierda del frigorífico.

- Cuando la puerta del lado izquierdo se abre, el cierre hermético con bisagras se pliega automáticamente hacia dentro para que no estorbe.
- Cuando ambas puertas están cerradas, el cierre hermético con bisagras forma automáticamente un sello entre las dos puertas.

NOTA: Al cerrar la puerta, el cierre hermético con bisagras debe estar en la posición correcta (doblado hacia dentro). De lo contrario, golpeará a la puerta derecha o al eje de fijación.



A. Cierre hermético B. Tapa de bisagras con bisagras

El interruptor de la puerta del compartimento de alimentos frescos se encuentra en la tapa de las bisagras superiores izquierda y derecha.

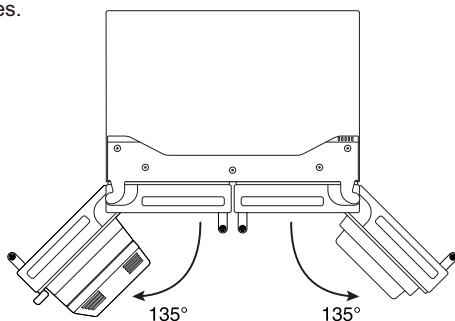
- Para el espacio del congelador, el interruptor de la puerta se encuentra en el soporte inferior izquierdo.
- El interruptor de la puerta utiliza un imán para detectar la apertura y el cierre de la puerta.
- Asegúrese de que no haya ningún imán ni dispositivo electrónico (altavoz, Coolvox® etc.) a menos de 7,62 cm de la tapa de las bisagras.

NOTA: La luz no se encenderá si no se detecta la apertura de la puerta.

Ajuste de altura de media balda

La altura de la media balda puede ajustarse cambiando su ubicación del soporte inferior al superior y viceversa.

- Abra la puerta del lado derecho y la puerta del lado izquierdo hasta 135°.
- Consulte "Estantes, contenedores y cajones" para obtener más detalles.



Dispensador de hielo (en algunos modelos)

IMPORTANTE:

- Si los cubitos están huecos o tienen una forma irregular, puede deberse a una baja presión del agua. Consulte la sección «Requisitos del suministro de agua».
- El hielo va desde su depósito de almacenamiento a través del conducto del dispensador hasta el dispensador. Para apagar la máquina de fabricación de hielo, consulte la sección «Máquina de fabricación de hielo y depósito de almacenamiento».
- Es posible que el dispensador siga haciendo ruido y que siga suministrando hielo durante varios segundos después de soltar el botón o la paleta del dispensador.

Para limpiar el conducto del dispensador de hielo:

La humedad hace que el hielo se aterrone de forma natural. Las partículas de hielo pueden acumularse hasta bloquear el conducto del dispensador de hielo.

Si no se dispensa hielo con regularidad, puede ser necesario vaciar el depósito de almacenamiento de hielo y limpiar el conducto de dispensación de hielo, el depósito de almacenamiento de hielo y la zona situada debajo de dicho depósito cada 2 semanas.

- Si es necesario, retire el hielo que obstruye el depósito de almacenamiento y el conducto de dispensación utilizando un utensilio de plástico.
- Limpie el conducto de suministro de hielo y la parte inferior del depósito de almacenamiento de hielo con un paño húmedo y tibio, y séquelos bien.

Para dispensar hielo: dispensación con la paleta

1. Seleccione el tipo de hielo deseado pulsando HIELO EN CUBITOS o HIELO PICADO.

ADVERTENCIA



Peligro de corte

Utilice un vaso resistente cuando dispense hielo.

Si no lo hace, se pueden producir cortes.

2. Presione un vaso resistente contra la paleta dispensadora. Sujete el vaso cerca de la abertura del dispensador, para que el hielo no caiga fuera de aquel.
IMPORTANTE: No es necesario ejercer mucha presión sobre la paleta para activar el dispensador de hielo. El hecho de presionar con fuerza no hará que el hielo se dispense más rápido o en mayor cantidad.
3. Retire el vaso para detener la dispensación.

NOTA: El hielo puede seguir dispensándose durante varios segundos después de retirar el vaso de la paleta dispensadora. El dispensador puede seguir haciendo ruido durante unos segundos después de la dispensación.

Luz del dispensador (en algunos modelos)

- Cuando utilice el dispensador, la luz se encenderá automáticamente.

Cuidado por vacaciones y mudanzas

Vacaciones

Si decide dejar el frigorífico encendido mientras está fuera:

1. Consuma los productos perecederos y congele los demás.
2. Presione el botón Modo para elegir la función Vacaciones.
3. Si su frigorífico tiene una máquina automática de fabricación de hielo y está conectado al suministro de agua doméstico, cierre dicho suministro. Pueden producirse daños materiales si no se cierra el suministro de agua.
4. Si tiene una máquina automática de fabricación de hielo, apáguela.
 - Apague la máquina de fabricación de hielo.
5. Vacía el depósito de hielo.

Si decide apagar el frigorífico antes de irse:

NOTA: Apáguelo durante las vacaciones.

1. Saque todos los alimentos del frigorífico.
2. Si el frigorífico dispone de máquina automática de fabricación de hielo:
 - Cierre el suministro de agua a la máquina de fabricación de hielo al menos un día antes.
3. Vacía el depósito de hielo.
4. Limpie el frigorífico, pásele un paño y séquelo bien.
5. Coloque bloques de goma o madera con cinta adhesiva en la parte superior de ambas puertas para que se abran lo suficiente para que entre el aire. De esta manera evitará que se acumulen olores y moho.

NOTA: En el modo Vacaciones, la placa de presión de agua del dispensador y la placa de presión de hielo de la máquina de hielo no funcionan.

Mudanzas

Cuando traslade el frigorífico a un nuevo hogar, siga estos pasos para prepararlo para la mudanza.

1. Si el frigorífico dispone de máquina automática de fabricación de hielo:
 - Cierre el suministro de agua a la máquina de fabricación de hielo al menos un día antes.
 - Desconecte la tubería de agua de la parte trasera del frigorífico.
 - Cuando caiga la última carga de hielo, presione el interruptor hasta Off (Apagado) (O) ya sea en la fábrica de hielo o en el control, según el modelo.
2. Saque todos los alimentos del frigorífico y enváelos en hielo seco.
3. Vacía el depósito de hielo.
4. Desenchufe el frigorífico.
5. Límpielo, pásele un paño y séquelo bien.
6. Saque todas las piezas desmontables, envuélvalas bien y péguelas con cinta adhesiva para que no se muevan ni traqueteen durante la mudanza.
7. Dependiendo del modelo, eleve la parte delantera del frigorífico para que ruede con más facilidad o suba los tornillos de nivelación para que no arañen el suelo. Consulte las secciones «Ajustar las puertas» o «Nivelación y alineación de las puertas».
8. Coloque cinta adhesiva en las puertas cerradas y adhiera el cable de alimentación a la parte posterior del frigorífico con cinta adhesiva.

Cuando llegue a su nuevo hogar, vuelva a colocar todo en su sitio y consulte la sección «Instrucciones de instalación» para ver las instrucciones de preparación. Además, si el frigorífico tiene una máquina automática de fabricación de hielo, recuerde volver a conectar el suministro de agua al frigorífico.

INSTRUCCIONES DE INSTALACIÓN

Procedimientos iniciales

Lista de comprobación de la instalación

Potencia eléctrica

⚠ ADVERTENCIA



Riesgo de descargas eléctricas

Enchufe el electrodoméstico a una toma de 3 clavijas conectada a tierra.

No quite la clavija de toma de tierra.

No utilice un adaptador.

No utilice un alargador.

No seguir estas instrucciones podría provocar la muerte, un incendio o descargas eléctricas.

- Enchufe el frigorífico en una toma conectada a tierra.

Puertas

- Si es necesario desmontar las puertas durante la instalación, consulte las secciones «Retirar y volver a colocar las puertas del frigorífico» y «Retirar y volver a colocar los frentes de las puertas del congelador».
- Las puertas sellan completamente.
- El frigorífico está nivelado. Ajuste las patas niveladoras para que queden bien ajustadas al suelo.
- Las puertas son uniformes en la parte superior. (Utilice la función de alineación de la puerta si es necesario).

Comprobaciones finales

- Retire todo el material de transporte.
- Establezca los controles de temperatura en la configuración recomendada.
- Guarde las instrucciones y demás documentación.
- Para recibir una asistencia más completa, registre el producto. Para obtener información, consulte la Guía de inicio rápido.

Desembalar el frigorífico

⚠️ ADVERTENCIA

Riesgo por exceso de peso

Para desplazar e instalar o desinstalar el electrodoméstico se necesitan dos personas.

Si no se sigue esta recomendación, se pueden provocar lesiones en la espalda o de otro tipo.

Entrega del frigorífico

- Se requiere un hueco mínimo de puerta de 838 mm (33"). Si el hueco de la puerta es de 36" (914 mm) o menos, entonces se requiere retirar las puertas, el cajón y las bisagras.
- Cargue el frigorífico desde el lado para todos los huecos de puerta.

Retirar el embalaje

- Retire los restos de cinta y pegamento de las superficies antes de encender el frigorífico. Frote con los dedos y con una pequeña cantidad de detergente líquido para vajillas sobre el adhesivo. Limpie con agua tibia y seque.
- No utilice instrumentos afilados, alcohol, líquidos inflamables o productos de limpieza abrasivos para retirar la cinta adhesiva o el pegamento. Estos productos pueden dañar la superficie del frigorífico. Para obtener más información, consulte la sección «Seguridad del frigorífico».
- Deseche o recicle todos los materiales de embalaje.

Cuando traslade el frigorífico:

El frigorífico pesa mucho. Cuando traslade el frigorífico para su limpieza o mantenimiento, asegúrese de cubrir el suelo con un cartón o tablero duro para evitar dañar el piso. Tire siempre del frigorífico hacia fuera cuando lo traslade. No traslade el frigorífico con un movimiento de contoneo ni como si caminara cuando intente moverlo, ya que podría dañar el suelo.

Limpiar antes de usar

Después de retirar todos los materiales de embalaje, limpie el interior del frigorífico antes de utilizarlo. Consulte las instrucciones de limpieza en la sección "Cuidado del frigorífico."

Información importante que debe conocer sobre las baldas de cristal y las tapas:

No limpie las baldas de cristal o las tapas con agua tibia cuando estén frías. Las baldas y las tapas pueden romperse si se exponen a cambios bruscos de temperatura o a impactos, como golpes. El vidrio templado está diseñado para hacerse añicos, rompiéndose en muchos trozos pequeños, del tamaño de guijarros. Se trata de un comportamiento normal. Las baldas y las tapas de cristal pesan bastante. Utilice las dos manos para retirarlas para evitar que se caigan.

Requisitos de emplazamiento

⚠️ ADVERTENCIA



Riesgo de explosión

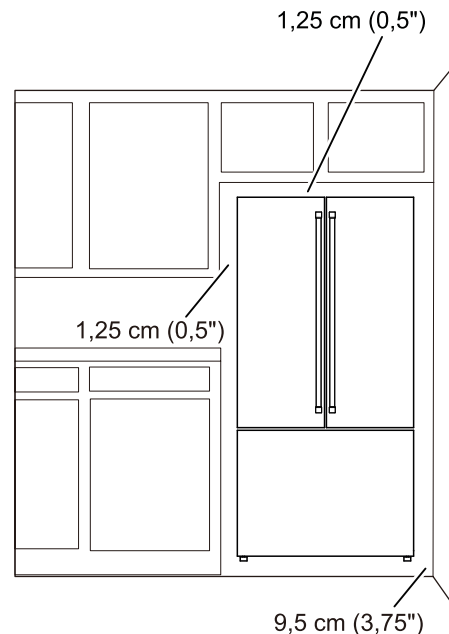
Mantenga los materiales y vapores inflamables, como la gasolina, alejados del electrodoméstico.

Utilice un limpiador no inflamable.

Las consecuencias de no hacerlo pueden ser la muerte, una explosión o un incendio.

Para garantizar una ventilación adecuada del frigorífico, deje un espacio de 1,25 cm (0,5") a cada lado y de 1,25 cm (0,5") en la parte superior. Deje un espacio de 5 cm (2") detrás del frigorífico. Si el frigorífico dispone de máquina de fabricación de hielo, deje espacio adicional en la parte trasera para las conexiones de la tubería de agua. Cuando instale el frigorífico junto a una pared fija, deje un espacio mínimo de 9,5 cm (3,75") entre aquel y esta para permitir que la puerta se abra.

NOTA: Este frigorífico está diseñado para utilizarse en un lugar donde la temperatura oscile entre un mínimo de 10 °C (50 °F) y un máximo de 43 °C (110 °F). El intervalo de temperatura ambiente preferido para un rendimiento óptimo, que reduce el consumo de electricidad y proporciona una refrigeración superior, es entre 15 °C (60 °F) y 32 °C (90 °F). Se recomienda no instalar el frigorífico cerca de una fuente de calor, como un horno o un radiador.



Requisitos eléctricos

⚠ ADVERTENCIA



Riesgo de descargas eléctricas

Enchufe el electrodoméstico a una toma de 3 clavijas conectada a tierra.

No quite la clavija de toma de tierra.

No utilice un adaptador.

No utilice un alargador.

No seguir estas instrucciones podría provocar la muerte, un incendio o descargas eléctricas.

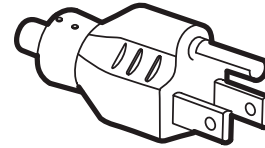
IMPORTANTE: La instalación y la conexión eléctrica las deben realizar un técnico cualificado de acuerdo con las instrucciones del fabricante y respetando la normativa de seguridad local.

- El frigorífico está diseñado para funcionar en un circuito independiente de 115 V, 60 Hz.
- Asegúrese de que el voltaje especificado en la placa de características se corresponde con el de la vivienda.
- El electrodoméstico debe poder desconectarse de la red eléctrica desenchufándolo o mediante un interruptor bipolar principal instalado antes de la toma de corriente.
- Si el cable de alimentación está dañado, el fabricante, su agente de servicio o personas cualificadas similares debe reemplazarlo para evitar peligros.
- No utilice un cable que presente grietas o daños por abrasión en toda su longitud o en el extremo del enchufe o del conector.

Antes de trasladar el frigorífico a su ubicación definitiva, es importante asegurarse de que dispone de la conexión eléctrica adecuada:

Método de conexión a tierra recomendado

Se requiere un suministro eléctrico de 115 V, 60 Hz de CA solo con fusible de 15 A o 20 A y conexión a tierra. Se recomienda proporcionar un circuito independiente que preste servicio únicamente al frigorífico y a los accesorios homologados. Utiliza una toma de corriente que no pueda apagarse con un interruptor. No utilice un alargador.



Tipo B

IMPORTANTE: Si este producto está conectado a una toma de corriente con protección GFCI (Ground Fault Circuit Interrupter, es decir, Interruptor de circuito de fallo a tierra), pueden producirse desconexiones molestas de la fuente de alimentación, con la consiguiente pérdida de refrigeración. La calidad y el sabor de los alimentos pueden verse afectados. Si se han producido desconexiones molestas y si el estado de los alimentos parece malo, deshágase de ellos.

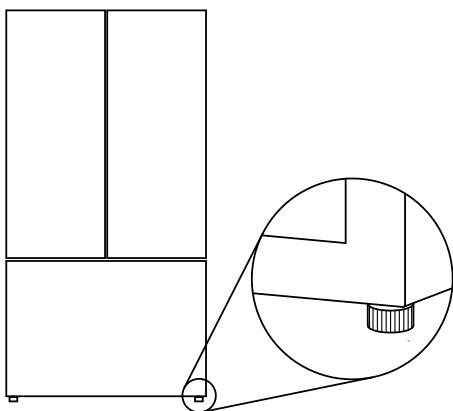
NOTA: Antes de realizar cualquier tipo de instalación o limpieza, o de retirar una bombilla, apague la refrigeración o gire el control (termostato, control del frigorífico o congelador según el modelo) a la posición Apagado. En los modelos con control digital de temperatura, pulse repetidamente los paneles táctiles con el signo menos hasta que aparezca un guion (-) tanto en la pantalla del congelador como en la del frigorífico. Desconecte el frigorífico de la red eléctrica. Cuando haya terminado, vuelva a conectar el frigorífico a la red eléctrica y encienda la refrigeración o restablezca el control (termostato, control del frigorífico o congelador según el modelo) a la configuración deseada. Consulte la «Guía de inicio rápido».

Nivelación y alineación de las puertas

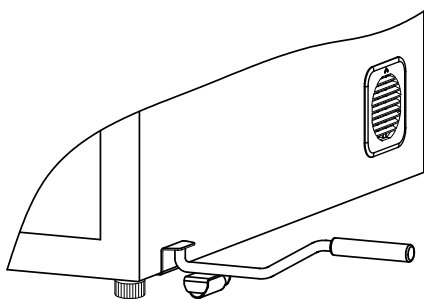
El frigorífico dispone de dos patas niveladoras delanteras. Ajuste las patas para modificar la inclinación de delante hacia atrás o de lado a lado.

Ajuste la inclinación del frigorífico siguiendo las instrucciones que se indican a continuación:

1. Gire la pata niveladora hacia la izquierda para elevar ese lado del frigorífico o hacia la derecha para bajarlo. Pueden ser necesarias varias vueltas de la pata niveladora para ajustar la inclinación del frigorífico.
2. El intervalo de ajuste de las patas niveladoras es limitado. Si el desnivel del suelo es superior a 8 mm, Por favor llame al servicio técnico para obtener ayuda.
3. Si la puerta izquierda o derecha está más baja que el otro lado, ajuste el pie nivelador para subir o bajar el refrigerador.



4. Utilice una herramienta doméstica común para levantar el frigorífico un poco y ajustar la pata niveladora fácilmente.



Requisitos del suministro de agua

Se requiere un suministro de agua fría con una presión de agua entre 20 psi y 145 psi (138 kPa y 1000 kPa) para hacer funcionar el dispensador de agua y la máquina de fabricación de hielo. Si tiene dudas sobre la presión del agua, llame a un fontanero autorizado y cualificado.

NOTA: Si la presión del agua es inferior a la necesaria, el caudal de agua del dispensador podría disminuir o los cubitos de hielo podrían quedar huecos o con forma irregular.

Suministro de agua por ósmosis inversa

IMPORTANTE: La presión del suministro de agua que sale de un sistema de ósmosis inversa y abastece a la válvula de entrada de agua del frigorífico debe estar entre 20 psi y 145 psi (138 kPa y 1000 kPa).

Si se conecta un sistema de filtración de agua por ósmosis inversa al suministro de agua fría de la vivienda, la presión del agua que llega al sistema de ósmosis inversa debe tener un valor mínimo de entre 40 psi y 60 psi (276 kPa a 414 kPa).

Si la presión del agua al sistema de ósmosis inversa es inferior al intervalo de valores de 40 a 60 psi (276 a 414 kPa):

- Compruebe si el filtro de sedimentos del sistema de ósmosis inversa está obstruido. Cambie el filtro si es necesario.
- Deje que el depósito de almacenamiento del sistema de ósmosis inversa se rellene después de un uso intenso. La capacidad del depósito podría ser demasiado pequeña para satisfacer los requisitos del frigorífico.

NOTA: No se recomiendan los sistemas de ósmosis inversa montados en grifo.

- Si el frigorífico dispone de un filtro de agua, este puede reducir aún más la presión del agua cuando se utiliza junto con un sistema de ósmosis inversa. Retire el filtro de agua. Consulte la sección «Filtros y accesorios».

Si tiene dudas sobre la presión del agua, llame a un fontanero autorizado y cualificado.

Conectar el suministro de agua

Lea todas las instrucciones antes de empezar.

IMPORTANTE:

- Conectar únicamente a un suministro de agua potable.

No utilizar con agua microbiológicamente insegura o de calidad desconocida sin una desinfección adecuada antes o después del sistema. Los sistemas certificados para la reducción de quistes pueden utilizarse en aguas desinfectadas que puedan contener quistes filtrables.

- La fontanería se instalará de acuerdo con el Código Internacional de Fontanería y los códigos y ordenanzas locales.
- Las conexiones de tubos de cobre y PEX desde la tubería de agua doméstica hasta el frigorífico se admiten y ayudarán a evitar sabores u olores desagradables en el hielo o el agua. Compruebe si hay fugas.
Si se utiliza tubería PEX en lugar de cobre, recomendamos los siguientes números de pieza: W10505928 (PEX encamisado de 2,14 m [7 ft]), 8212547 (PEX de 1,52 m [5 ft]) o W10267701 (PEX de 7,62 m [25 ft]).
- Instale los tubos solamente en zonas donde las temperaturas se mantengan por encima del punto de congelación.

Herramientas necesarias:

Disponga de las herramientas y piezas necesarias antes de iniciar la instalación.

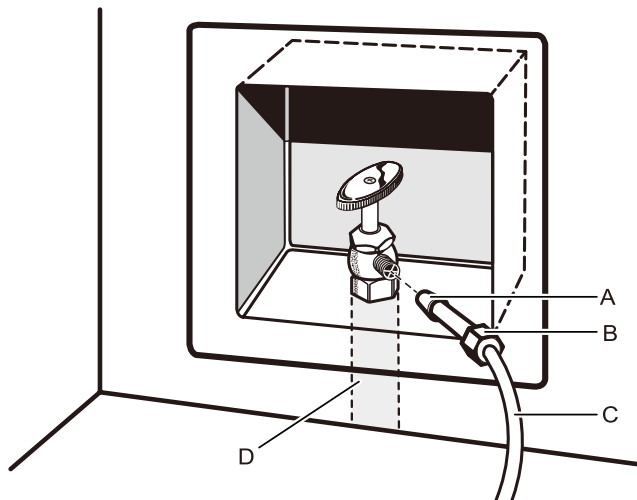
- Destornillador plano
- Llaves fijas de 7/16" y 1/2" o 2 llaves ajustables
- Destornillador de tuerca de 1/4"

NOTA: No utilice válvulas perforadas o de asiento de 4,76 mm (3/16"), ya que reducen el caudal de agua y se obstruyen con más facilidad.

Conectar a la tubería de agua

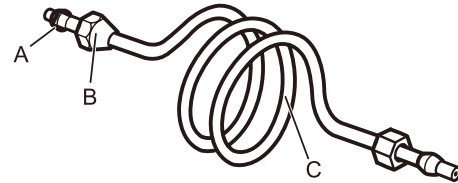
IMPORTANTE: Si ha encendido el frigorífico antes de conectar el agua, apague la máquina de fabricación de hielo.

1. Desenchufe el frigorífico o desconecte la corriente.
2. Desconecte el suministro de agua principal. Abra el grifo más cercano el tiempo suficiente para reducir la presión del agua en la tubería.
3. Utilice una válvula de cierre de 3/4"-14" o equivalente. El frigorífico se suministra con una tubería de suministro doméstico con el kit de instalación que se conecta a la válvula de cierre y al frigorífico.
NOTA: El electrodoméstico está equipado con un kit de instalación de agua. Para garantizar una conexión correcta al suministro de agua, utilice un material de sellado adecuado en la conexión. Compruebe si la conexión está bien sellada al cabo de algunas horas de funcionamiento.



A. Manguito
B. Tuerca
C. Tubo de cobre (al frigorífico)
D. Línea de suministro doméstico

4. Ahora está listo para conectar la tubería de cobre o PEX a la válvula de cierre. Utilice tubos de cobre blando o PEX de 6,35 mm (1/4") de D.E. (diámetro exterior) para conectar la válvula de cierre y el frigorífico.
 - Asegúrese de que tiene la longitud adecuada en función del trabajo. Asegúrese de que ambos extremos del tubo de cobre están cortados a escuadra.
 - Deslice el manguito de compresión y la tuerca de compresión en el tubo de cobre tal como se muestra. (El tubo PEX lleva preinstalados manguitos y tuercas de compresión). Inserte el extremo del tubo en el extremo de salida en ángulo recto hasta el tope. Atornille la tuerca de compresión en el extremo de salida con una llave ajustable. No apriete en exceso.



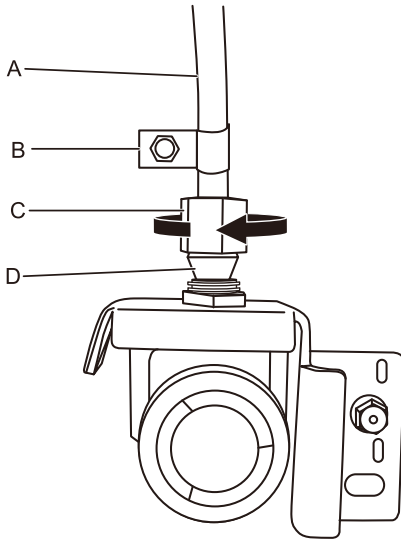
A. Manguito de compresión
B. Tuerca de compresión
C. Tubo de cobre

5. Coloque el extremo libre del tubo en un recipiente o fregadero y abra el suministro principal de agua para enjuagar el tubo hasta que el agua salga limpia. Desconecte la válvula de cierre de la tubería de agua.
NOTA: Vacíe siempre la tubería de agua antes de realizar la conexión final a la entrada de la válvula de agua, para evitar un posible mal funcionamiento de esta.
6. Doble la tubería de cobre hasta que se encuentre con la entrada de la tubería de agua, situada en la parte posterior del armario del frigorífico, tal como se muestra en la figura. Deje una bobina de tubo de cobre para poder sacar el frigorífico del armario o separarlo de la pared para poder realizar tareas de mantenimiento en dicho frigorífico.

Conectar al frigorífico

Siga las instrucciones de conexión específicas del modelo.

1. Retire la tapa de plástico de la toma de entrada de la válvula de agua. Acople el tubo de cobre a la entrada de la válvula utilizando una tuerca de compresión y un manguito, tal como se muestra. Apriete la tuerca de compresión. No apriete en exceso. Confirme que el tubo de cobre está bien sujeto tirando de él.
2. Haga un bucle con la tubería de cobre para tareas de mantenimiento. Evite los pliegues al enrollar el tubo de cobre. Fije el tubo de cobre a cuerpo del mueble frigorífico con una abrazadera en «P».



A. *Tubo de cobre* C. *Tuerca de compresión*
B. *Abrazadera en «P»* D. *Manguito de compresión*

3. Abra el suministro de agua al frigorífico y compruebe si hay fugas. Solucione cualquier fuga.
4. Si desea hielo, encienda la máquina de fabricación de hielo.
NOTA: Espere 24 horas para fabricar el primer montón de hielo. Deseche los tres primeros montones de hielo fabricados. Deje pasar tres días para llenar completamente el depósito de almacenamiento de hielo.

Complete la instalación

⚠ ADVERTENCIA



Riesgo de descargas eléctricas

Enchufe el electrodoméstico a una toma de 3 clavijas conectada a tierra.

No quite la clavija de toma de tierra.

No utilice un adaptador.

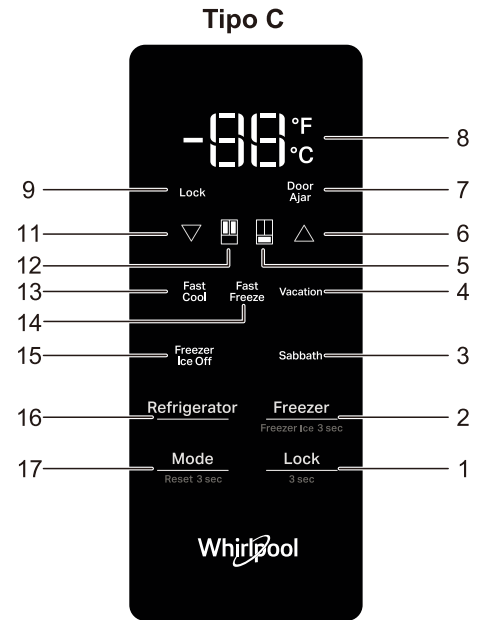
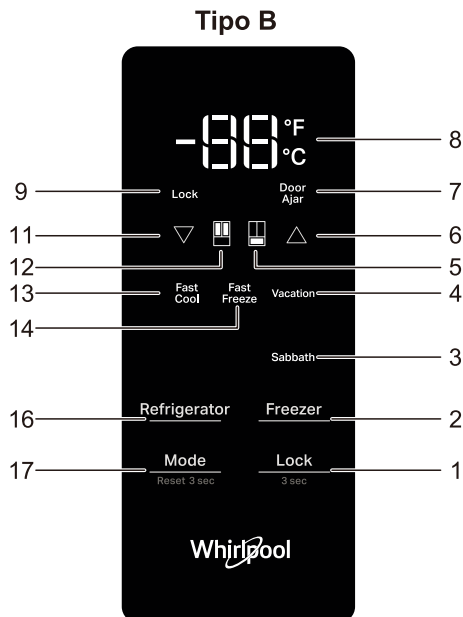
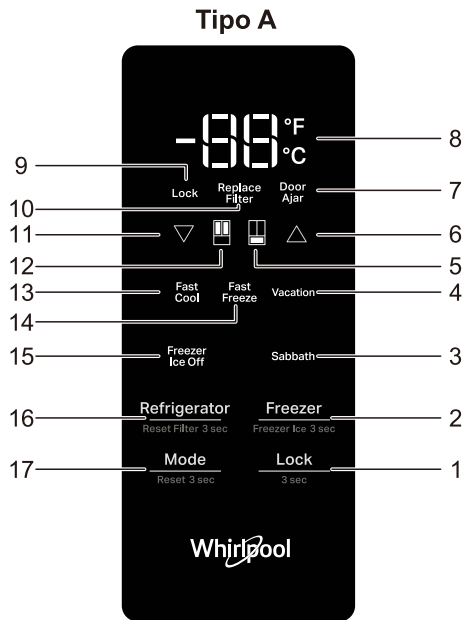
No utilice un alargador.

No seguir estas instrucciones podría provocar la muerte, un incendio o descargas eléctricas.

1. Enchufe el producto en una toma de corriente de 3 clavijas con toma de tierra.
NOTA: Espere 24 horas para fabricar el primer lote de hielo. Deseche los tres primeros lotes de hielo fabricados. Deje pasar 3 días para llenar completamente el depósito de almacenamiento de hielo.
2. Lave el sistema de agua. Consulte la sección "Dispensadores de agua y hielo".

UTILIZAR LOS CONTROLES

Utilizar los controles



IMPORTANTE: Antes de poner en funcionamiento este electrodoméstico, asegúrese de que ha sido instalado correctamente de acuerdo con su Manual del propietario.

Los controles activados por contacto (táctiles) están ubicados en la puerta izquierda del frigorífico. El panel de control incluye información sobre varios botones e indicadores. El indicador de temperatura del frigorífico y del congelador muestra el último punto de ajuste de la temperatura.

1. BOTÓN Bloquear (mantener presionado 3 segundos para activar el bloqueo)
2. BOTÓN Congelador (mantener presionado 3 segundos para activar el hielo del congelador)
3. INDICADOR Sábado
4. INDICADOR Vacaciones
5. INDICADOR Compartimento del congelador
6. BOTÓN Subir temperatura
7. INDICADOR Puerta entreabierta
8. INDICADOR Celsius/Fahrenheit
9. INDICADOR Bloqueo de controles
10. INDICADOR Sustituir filtro
11. BOTÓN Bajar temperatura
12. INDICADOR Compartimento del frigorífico
13. INDICADOR Enfriamiento rápido
14. INDICADOR Congelación rápida
15. INDICADOR Hielo del congelador desactivado
16. BOTÓN Frigorífico (mantener presionado 3 segundos para restablecer el filtro)
17. BOTÓN Modo (mantener presionado 3 segundos para restablecer el modo)

NOTA: Seleccione los botones en función de los modelos aplicables.

Configuración de la temperatura

Compartimento	Intervalo de temperatura
Frigorífico	1~6 °C (33~42 °F)
Congelador	-21~-15 °C (-5~5 °F)

Cuando establezca los puntos de ajuste de la temperatura, utilice la siguiente tabla como guía:

ESTADO	AJUSTE DE LA TEMPERATURA
Frigorífico demasiado frío	Aumentar 1° en el frigorífico
Frigorífico demasiado cálido	Disminuir 1° en el frigorífico
Congelador demasiado frío	Aumentar 1° en el congelador
Congelador demasiado cálido o hielo demasiado pequeño	Disminuir 1° en el congelador



Ver y ajustar los puntos de ajuste de la temperatura

Ajustar la temperatura de los alimentos frescos y del compartimento del congelador:

Para su comodidad, los controles del frigorífico y del congelador vienen preajustados de fábrica.

Cuando instale el frigorífico por primera vez, asegúrese de que los controles aún estén establecidos en los puntos de ajuste recomendados. Los puntos de ajuste recomendados de fábrica son 3 °C (37 °F) para el frigorífico y -18 °C (0 °F) para el congelador. Al presionar los botones Subir temperatura o Bajar temperatura se alternarán los puntos de ajuste de temperatura.

IMPORTANTE:

- Espere 24 horas antes de poner alimentos en el frigorífico. Si coloca alimentos antes de que el frigorífico se haya enfriado por completo, es posible que se echen a perder.

NOTA: El establecimiento de los puntos de ajuste en un valor más frío que el recomendado no enfriará los compartimentos más rápido.

- Si la temperatura en el frigorífico o en el congelador es demasiado cálida o demasiado fría, revise primero las ventilaciones para asegurarse de que no estén bloqueadas antes de ajustar los controles.
- La configuración recomendada debe ser la correcta para un uso doméstico normal. Los controles están correctamente establecidos cuando la leche o el zumo están tan fríos como se desea y cuando el helado está consistente.

NOTA: Las zonas como el garaje, el sótano o el porche pueden tener mayor humedad o temperaturas extremas. Es posible que deba ajustar la temperatura lejos de la configuración recomendada para adaptarse a estas condiciones.

- Espere al menos 24 horas entre los ajustes. Vuelva a comprobar las temperaturas antes de realizar otros ajustes.

Botón Modo

- Presione el botón Mode (Modo) para activar la función y, a continuación, vuelva a presionarlo para elegir los modos: "Fast Cool" (Enfriamiento rápido), "Fast Freeze" (Congelamiento rápido), "Vacation" (Vacaciones), "Sabbath" (Sabbat). Por ejemplo, cuando se selecciona Sabbath (Sabbat), el INDICADOR de modo Sabbath (Sabbat) parpadea, y después de 3 segundos se activa el modo Sabbath (Sabbat), el INDICADOR de modo Sabbath (Sabbat) se iluminará.
- Presione sin soltar el botón Modo durante 3 segundos para restablecer el modo.

Enfriamiento rápido

La función Enfriamiento rápido ayuda en los períodos en los que se hace mucho uso del frigorífico, cuando hay una gran cantidad de alimentos o cuando la temperatura ambiente es temporalmente cálida.

- Desbloquee la interfaz de usuario. Para obtener más detalles, consulte el apartado «Bloqueo de los botones».
- Para activar o desactivar el modo Enfriamiento rápido, consulte la sección «Botón Modo» para obtener más detalles.
- La función se activa. La función Enfriamiento rápido permanecerá activada durante 2,5 horas a menos que se apague manualmente.

Congelación rápida

La función Congelación rápida ayuda en los períodos en los que se hace mucho uso del congelador, cuando hay una gran cantidad de alimentos o cuando la temperatura ambiente es temporalmente cálida.

- Desbloquee la interfaz de usuario. Para obtener más detalles, consulte el apartado «Bloqueo de los botones».
- Para activar o desactivar el modo Congelación rápida, consulte la sección «Botón Modo» para obtener más detalles.
- Después de colocar alimentos frescos en el congelador; 24 horas con la función Congelación rápida suele ser suficiente. Después de 24 horas, la función Congelación rápida se desactiva automáticamente.

NOTA: Las funciones Enfriamiento rápido y Congelación rápida pueden activarse simultáneamente.

Modo Vacaciones

Este modo está diseñado para evitar que el electrodoméstico desperdicie energía durante los momentos en que no está en uso regular (cuando está de vacaciones, por ejemplo). Al seleccionar esta función, la temperatura del compartimento de alimentos frescos se establecerá automáticamente en 12 °C (53,6 °F).

- Desbloquee la interfaz de usuario. Para obtener más detalles, consulte el apartado «Bloqueo de los botones».
- Para activar o desactivar el modo Vacaciones, consulte la sección «Botón Modo» para obtener más detalles.

Presione el botón Modo para elegir Enfriamiento rápido o Congelación rápida para desactivar la función de vacaciones.

IMPORTANTE: Si se selecciona este modo, todos los alimentos y las bebidas deben retirarse del compartimento de alimentos frescos.

Máquina de fabricación de hielo del congelador

- Desbloquee la interfaz de usuario. Para obtener más detalles, consulte el apartado «Bloqueo de los botones».
- Mantenga presionado durante 3 segundos el botón Congelador para activar o desactivar la máquina de fabricación de hielo del congelador.

Cuando la máquina de fabricación de hielo del congelador esté apagada, el icono Hielo del congelador se iluminará.

NOTA: La configuración predeterminada para la fábrica de hielo del congelador está activada.

Unidades de temperatura (°C o °F)

- Desbloquee la interfaz de usuario. Para obtener más detalles, consulte el apartado «Bloqueo de los botones».
- Mantenga presionados los botones «Subir temperatura» y «Bajar temperatura» durante 3 segundos para cambiar la unidad de temperatura entre grados Celsius y grados Fahrenheit.

Alarma de puerta abierta

- La función Alarma de puerta abierta hace sonar una alarma y parpadear el icono «Puerta entreabierta» cuando cualquiera de las tres puertas permanecen abiertas durante 5 minutos o más.
- La alarma se repetirá cada 2 minutos. Cierre todas las puertas para desactivarla.

NOTA: Para silenciar la alarma sonora mientras las puertas se mantienen abiertas, por ejemplo, mientras se limpia el interior del frigorífico, toque cualquier botón del panel de control. El sonido de la alarma se desactivará temporalmente, pero el icono Puerta entreabierta seguirá apareciendo en el panel de control.

Bloqueo de los botones

- Mantenga presionado el botón Bloquear durante 3 segundos para activar la función de bloqueo.
- Para desactivar el bloqueo, mantenga presionado el botón de bloqueo durante 3 segundos. La función de bloqueo omitirá toda interacción con el panel de control hasta que el usuario la desbloquee. Esta función está prevista para evitar el cambio involuntario de la configuración.

Iluminación

IMPORTANTE : Las luces de los compartimientos del refrigerador y del congelador son LED y no necesitan cambiarlas. Si las luces no se encienden cuando se abre la puerta o el cajón, llame para solicitar ayuda o servicio técnico. Para obtener información, consulte la Guía de inicio rápido.

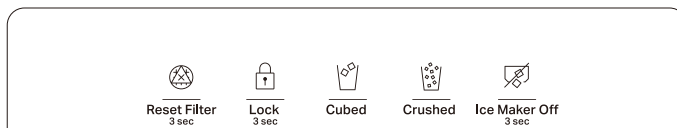
Modo Sábado

- Desbloquee la interfaz de usuario. Para obtener más detalles, consulte el apartado «Bloqueo de los botones».
- Para activar o desactivar el modo Sábado, consulte la sección «Botón Modo» para obtener más detalles.
- Una vez activado, el modo Sábado permanece activo durante 80 horas. Transcurrido ese tiempo, se desactiva automáticamente.
- Cuando el frigorífico está en modo Sábado, los botones, la pantalla y las luces internas no funcionan. El frigorífico y el congelador, sin embargo, siguen enfriando.

USO DEL FRIGORÍFICO

Dispensadores de agua e hielo (en algunos modelos)

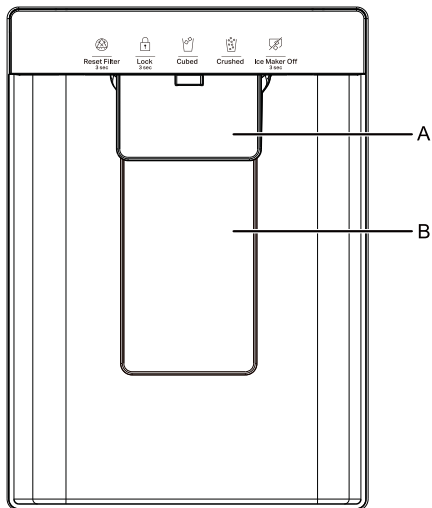
Control del agua y del hielo



Panel de botones	Función	Instrucciones
Restablece filtro	Restablecimiento del filtro	Después de sustituir el filtro, manténgalo presionado durante 3 segundos. El icono de sustitución del filtro se apagará y la vida útil se restablecerá.
Bloquear	Bloquear	Presione durante 3 segundos para bloquear o desbloquear la pantalla.
Hielo en cubitos	Función Hielo	Presione este botón para seleccionar cubitos de hielo enteros.
Hielo picado	Función Hielo	Presione este botón para seleccionar hielo picado.
Máquina para fabricar hielo apagada	Máquina para fabricar hielo apagada	Mantenga presionado este botón durante 3 segundos para encender o apagar la máquina de hielo.

IMPORTANTE:

- Espere 3 horas para que el refrigerador se enfríe y enfríe el agua.
- Espere 24 horas para fabricar el primer montón de hielo. Deseche los tres primeros montones de hielo fabricados.
- El sistema dispensador no funcionará si la puerta izquierda del refrigerador está abierta.



- A. Paleta del dispensador de agua
B. Paleta del dispensador de hielo

Enjuagar el sistema de agua

El aire en el sistema dispensador de agua puede hacer que el dispensador de agua gotee. Después de conectar el refrigerador a una fuente de agua o reemplazar el filtro de agua, enjuague el sistema de agua.

Al enjuagar el sistema dispensador de agua, se provoca la salida de aire de la línea de agua y del filtro de agua y se prepara a este para su uso. Es posible que se requiera un enjuague adicional en algunos hogares.

NOTA: A medida que se elimina el aire del sistema, el agua puede salir a borbotones del dispensador.

1. Con un recipiente resistente, presione sin soltar la paleta del dispensador de agua durante 5 segundos.
2. Suelte la paleta del dispensador durante 5 segundos. Repita los pasos 1 y 2 hasta que el agua comience a fluir.
3. Una vez que el agua comience a fluir, continúe presionando y soltando la plataforma del dispensador (5 segundos activado, 5 segundos desactivado) hasta que se hayan dispensado 12 litros (3 galones) en total.

Dispensar

Toque HIELO EN CUBITOS o HIELO PICADO para seleccionar el hielo.

NOTAS:

- En el caso del hielo picado, los cubitos se pican antes de dispensarse. Esto puede causar un ligero retraso a la hora de dispensar hielo picado. El ruido de la picadora de hielo es normal y los trozos de hielo pueden variar de tamaño.
- Al cambiar de hielo picado a cubitos de hielo, se dispensarán unos gramos de hielo picado junto con los primeros cubitos.

Dispensador de agua

IMPORTANTE:

Dispense al menos 1 l (1 qt) de agua cada semana para mantener un suministro fresco.

Si el caudal de agua del dispensador disminuye, podría deberse a una baja presión del agua.

- Con el filtro de agua retirado, dispense 1 taza (237 ml) de agua. Si se dispensa 1 taza de agua en 8 segundos o menos, la presión del agua al refrigerador cumple el requisito mínimo.
- Si tarda más de 8 segundos en dispensar 1 taza (237 ml) de agua, la presión del agua que llega al refrigerador es inferior a la recomendada. Consulte la sección «Requisitos del suministro de agua» y «Solución de problemas» en línea para obtener más información.

Máquina de fabricación de hielo y depósito de almacenamiento (en algunos modelos)

IMPORTANTE: Para evitar una baja producción de hielo y que este sea de mala calidad, purgue el sistema de agua antes de encender la máquina de fabricación de hielo. Consulte la sección «Dispensador de agua».

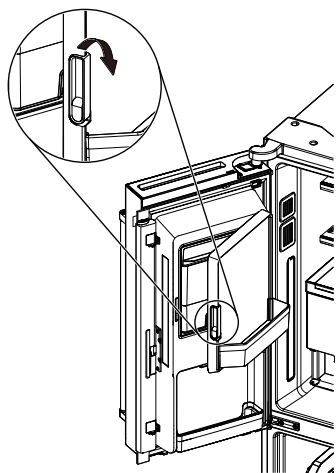
- Después de la instalación, espere 24 horas para fabricar el primer montón de hielo. Deseche los tres primeros montones de hielo fabricados. Deje pasar de 2 a 3 días para llenar el depósito de almacenamiento de hielo.
- La calidad del hielo dependerá de la calidad del agua suministrada a la máquina de fabricación de hielo. Evite conectar la máquina de fabricación de hielo a un suministro de agua descalcificada. Los productos químicos del descalcificador de agua (como la sal) pueden dañar las piezas de la máquina de fabricación de hielo y producir hielo de mala calidad. Si no puede evitarse el suministro de agua descalcificada, asegúrese de que el descalcificador de agua funciona correctamente y se realizan en el las tareas de mantenimiento adecuadas.
- Si el hielo del depósito de almacenamiento se apelmaza, rompa dicho hielo con un utensilio de plástico y deséchelo. No utilice ningún objeto que esté afilado para romper el hielo. El motivo es que se puede dañar el depósito de hielo y el mecanismo dispensador.
- No guarde nada en el depósito de almacenamiento de hielo.
- Las MÁQUINAS DE FABRICACIÓN DE HIELO INCORPORADAS las deberán instalar únicamente el fabricante o su agente de servicio.

Estilo 1: máquina de fabricación de hielo del frigorífico (en algunos modelos)

La máquina de fabricación de hielo se encuentra en la puerta izquierda, detrás de los recipientes. Los cubitos de hielo se expulsan al depósito de almacenamiento de hielo situado en la puerta izquierda del frigorífico.

Retirar y volver a colocar el depósito de almacenamiento de hielo

Para abrir el depósito de la máquina de fabricación de hielo, tire de la palanca de la puerta de dicha máquina hasta que la puerta se libere.



- Retire el depósito de almacenamiento de hielo introduciendo los dedos en el orificio de la base de dicho depósito y tirando del pestillo para liberarlo del compartimento. Levante el depósito de almacenamiento y tire de él hacia fuera.
- Vuelva a colocar el depósito de almacenamiento dentro del compartimento de hielo y empújelo hacia abajo para asegurarse de que está colocado firmemente en su sitio.

Índice de fabricación de hielo

- La máquina de fabricación de hielo debe producir aproximadamente 1,6 kg (3,5 lb) de hielo al día en condiciones normales de funcionamiento.

Encender y apagar la máquina de fabricación de hielo

- Para encender la máquina de fabricación de hielo, vaya a la sección Máquina de fabricación de hielo en **Máquina para fabricar hielo apagada/3 s.**
- Para apagar la máquina de fabricación de hielo, vaya a la sección Máquina de fabricación de hielo en **Máquina para fabricar hielo apagada/3 s.**

NOTA:

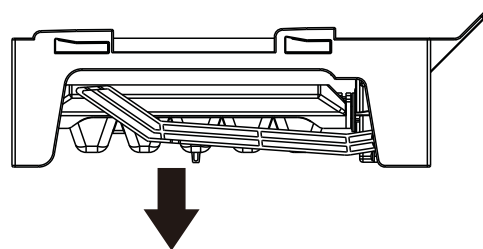
- La máquina de hielo dispone de apagado automático. El sensor detendrá automáticamente la fabricación de hielo si el depósito de almacenamiento está lleno o la puerta está abierta. El control permanecerá en la posición Encendido.

Estilo 2: máquina de fabricación de hielo del congelador (en algunos modelos)

La máquina de fabricación de hielo está encendida de forma predeterminada.

Para apagar manualmente la máquina de fabricación de hielo, mantenga presionado el botón Congelador del tablero de visualización.

El sensor detendrá automáticamente la producción de hielo si el depósito de almacenamiento está lleno o si la puerta está abierta.



NOTA: Apague la máquina de fabricación de hielo antes de retirar el depósito de almacenamiento de hielo para servir hielo o limpiarlo. Esto evitará que los cubitos se caigan de la máquina de fabricación de hielo al compartimento del congelador. Después de volver a colocar el depósito de almacenamiento de hielo, encienda la máquina de fabricación de hielo.

Lave el depósito de almacenamiento de hielo con jabón suave y agua tibia.

Deslice el depósito de almacenamiento de hielo por debajo de la máquina de fabricación de hielo y empújelo hacia la parte posterior hasta el tope.

Índice de fabricación de hielo

Espera 24 horas para fabricar el primer montón de hielo. Deseche los tres primeros montones de hielo fabricados.

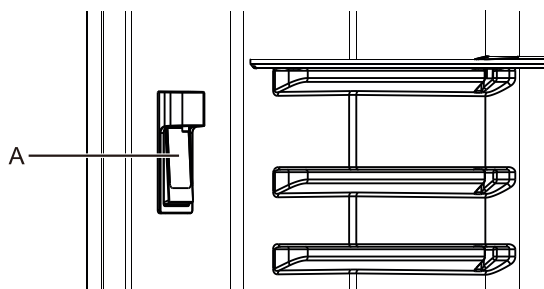
Deje pasar tres días para llenar completamente el depósito de almacenamiento de hielo. La máquina de fabricación de hielo debe producir aproximadamente 1,4 kg (3 lb) (de 8 a 12 lotes) de hielo en un período de 24 horas.

Una vez que el depósito de hielo esté lleno, si desea hacer más hielo, utilice una espátula para hielo para mover el hielo del interior del depósito hacia la puerta.

Funcionamiento interno del agua (en algunos modelos)

- Mantenga presionada la paleta de agua para activar la dispensación de agua.
- Suelte la paleta de agua para desactivar la dispensación de agua.

NOTA: Coloque el vaso lo más cerca posible de la paleta de agua cuando dispense agua. Suelte la paleta de agua y espere 1 segundo más antes de alejar el vaso. De lo contrario, puede caer agua del vaso.



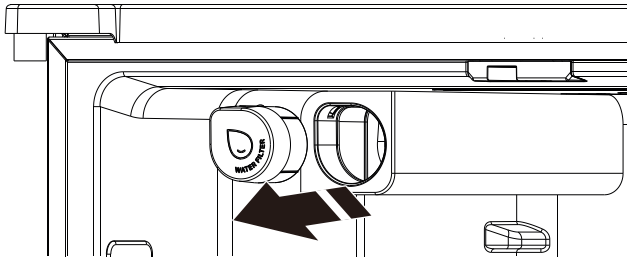
A. Paleta del dispensador de agua

Filtros y accesorios

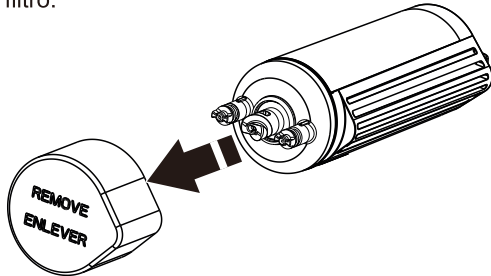
No utilizar con agua microbiológicamente insegura o de calidad desconocida sin una desinfección adecuada antes o después del sistema. Los sistemas certificados para la reducción de quistes pueden utilizarse en aguas desinfectadas que puedan contener quistes filtrables.

Instalación del filtro de agua

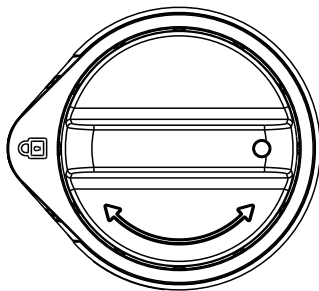
1. Localice la posición de instalación del filtro en esquina superior izquierda del frigorífico y retire la tapa de dicho filtro.



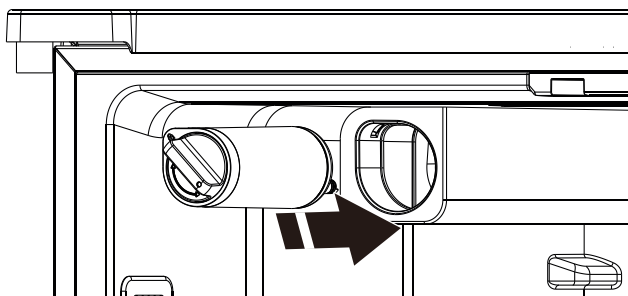
2. Saque el filtro del accesorio y retire la tapa protectora de dicho filtro.



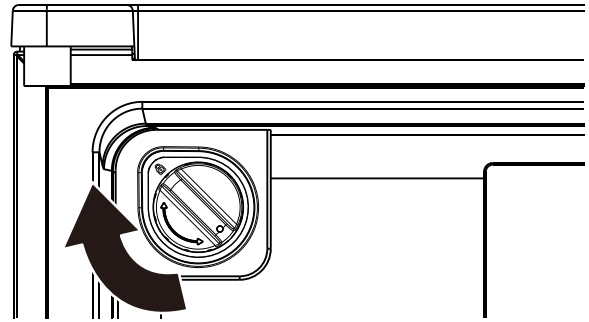
3. Asegúrese de que el control de bloqueo se encuentra en la posición de no bloqueo.



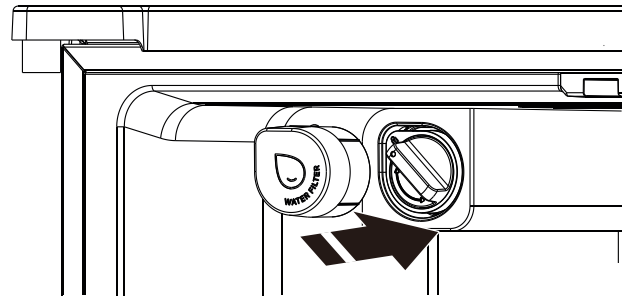
4. Inserte el filtro en el soporte del cartucho.



5. Gire el control de bloqueo 180° en sentido horario para mantener el filtro bloqueado.



6. Tape el filtro.



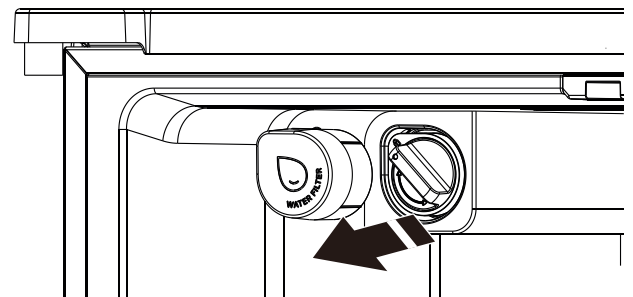
NOTA: Si el filtro no está instalado correctamente, el agua puede dispensarse con un caudal menor y la fabricación de hielo será más lenta. Una instalación incorrecta del filtro también puede provocar fugas en la carcasa del filtro de agua.

Sustituir e instalar el filtro de agua

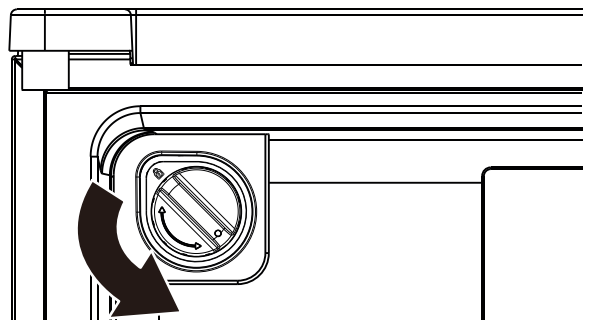
El filtro de agua debe sustituirse cada 6 meses en función de un caudal de 1,97 lpm (0,52 gpm) que filtre 757 l (200 galones) de agua.

Para pedir un filtro de repuesto, póngase en contacto con nosotros. Consulte la sección «Accesorios» de la Guía de uso y mantenimiento para obtener información sobre cómo realizar pedidos.

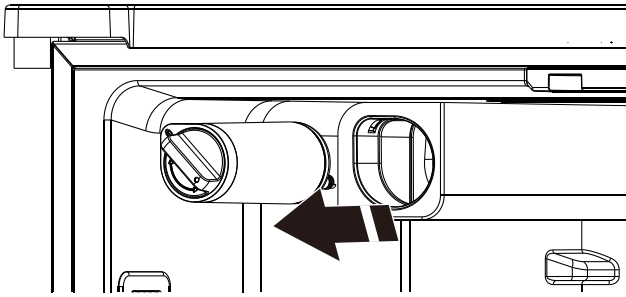
1. Localice la posición de instalación del filtro en esquina superior izquierda del frigorífico y retire la tapa de dicho filtro.



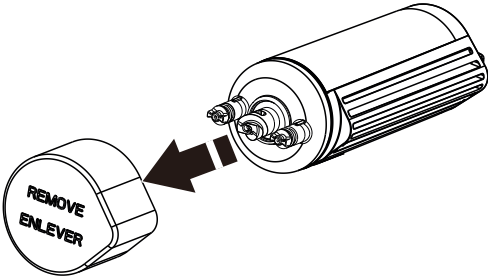
2. Gire el botón de bloqueo 180° en sentido antihorario para que el filtro quede en estado de no bloqueo.



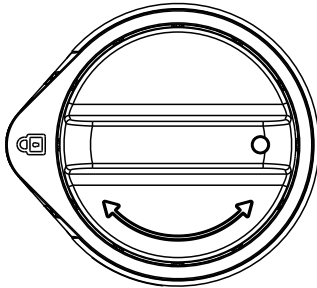
3. Retire el filtro antigua hacia fuera.



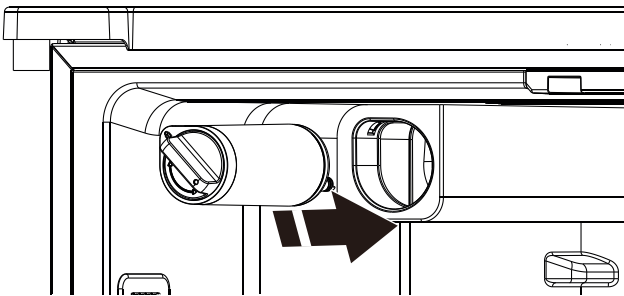
4. Recoja el filtro nuevo y retire el protector del filtro.



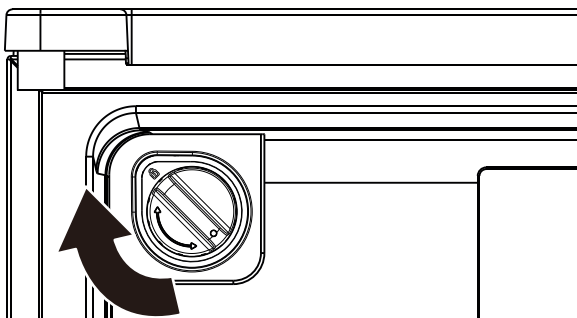
5. Asegúrese de que el control de bloqueo se encuentra en la posición de no bloqueo.



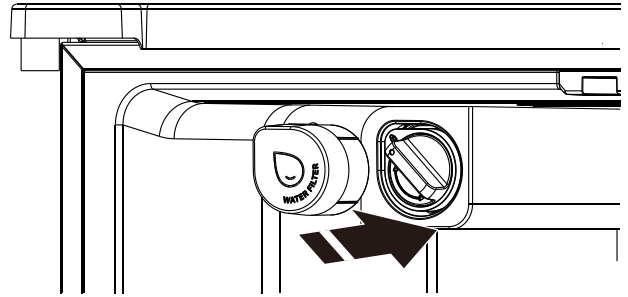
6. Inserte el filtro en el soporte del cartucho.



7. Gire el control de bloqueo 180° en sentido horario para mantener el filtro bloqueado.



8. Tape el filtro.



Luces de estado del filtro de agua

El indicador del estado del filtro de agua muestra el estado del filtro de agua.

- El icono de "Replace Filter" (Reemplazar filtro) o "Reset Filter" (Restablecer filtro) (dependiendo del modelo) se iluminará y parpadeará continuamente durante la dispensación cuando el volumen nominal de agua haya pasado por el filtro o hayan transcurrido 6 meses desde la instalación del filtro. Se debe instalar un nuevo filtro inmediatamente después de que se ilumine la luz de (Reemplazar filtro) o "Reset Filter" (Restablecer filtro).
- Después de estar durante 14 días en el estado Replace Filter (Reemplazar filtro), los iconos de (Reemplazar filtro) o "Reset Filter" (Restablecer filtro) se iluminarán en todo momento y destellarán continuamente durante la dispensación. Adicionalmente, sonará tres veces una alerta después de dispensar. El filtro de agua deberá reemplazarse por lo menos cada 6 meses. Después de cambiar el filtro de agua, el usuario debe restablecer la luz de estado del filtro. Mantenga presionado el botón "Reset filter" (Restablecer filtro) o "Refrigerator" (Refrigerador) (dependiendo del modelo) durante 3 segundos para restablecer el estado del filtro de agua. Después de esto, el icono de "Replace Filter" (Reemplazar filtro) o "Reset Filter" (Restablecer filtro) se apagará.

NOTA: El icono «Sustituir filtro» permanecerá iluminado si no se restablece el filtro en la interfaz de usuario (IU).

Información de pedidos en línea

Para pedir un filtro de repuesto, comuníquese con nosotros a www.whirlpool.com/Parts & Accessories. Para obtener información, consulte la "Guía de inicio rápido".

INSTRUCCIONES PARA LA PUERTA Y EL TIRADOR

Desmontar y volver a colocar la puerta del frigorífico

NOTA: Mida la anchura del hueco de la puerta para ver si necesita o no desmontar las puertas del frigorífico para introducirlo en su casa. Si es necesario desmontar las puertas, consulte las siguientes instrucciones.

IMPORTANTE: Si el frigorífico estaba instalado anteriormente y lo va a trasladar fuera de la vivienda, apague su control antes de empezar a retirar las puertas. Desenchufe el frigorífico o desconecte la corriente. Desmonte de las puertas los alimentos y los recipientes ajustables para puertas o servicios.

HERRAMIENTAS NECESARIAS: Llave de vaso de 6 mm, llave de vaso de 5 mm y destornillador Phillips n.º 2.



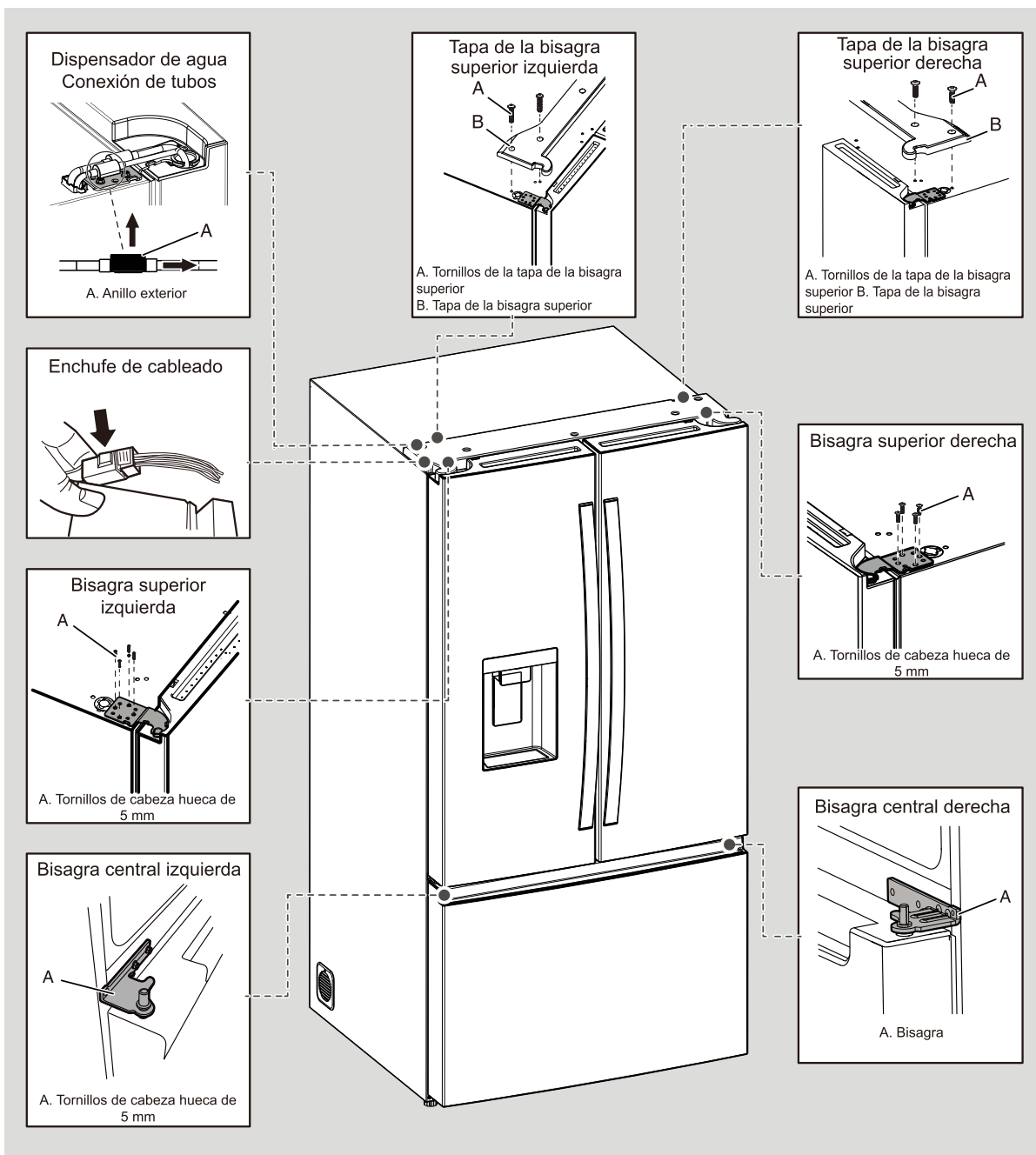
⚠️ ADVERTENCIA

Riesgo de descargas eléctricas

Desconecte la corriente antes de retirar las puertas.

Si no cumple estas normas de seguridad podría provocar la muerte o descargas eléctricas.

Estilo 1: máquina de fabricación de hielo en la puerta izquierda



Desmontar y volver a colocar la puerta del frigorífico

NOTA: Mida la anchura del hueco de la puerta para ver si necesita o no desmontar las puertas del frigorífico para introducirlo en su casa. Si es necesario desmontar las puertas, consulte las siguientes instrucciones.

IMPORTANTE: Si el frigorífico estaba instalado anteriormente y lo va a trasladar fuera de la vivienda, apague su control antes de empezar a retirar las puertas. Desenchufe el frigorífico o desconecte la corriente. Desmonte de las puertas los alimentos y los recipientes ajustables para puertas o servicios.

HERRAMIENTAS NECESARIAS: Llave de vaso de 6 mm, llave de vaso de 5 mm y destornillador Phillips n.º 2.



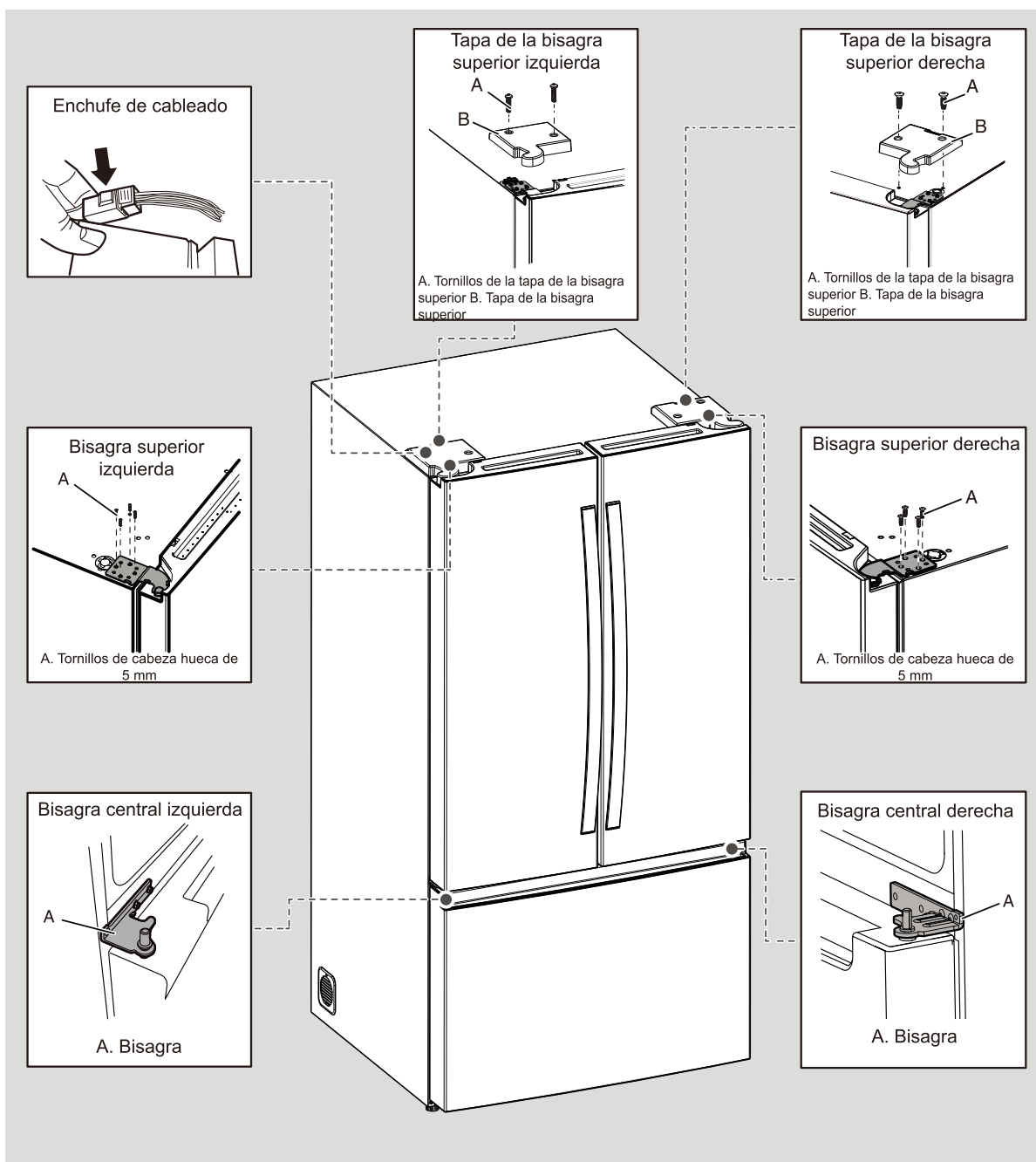
⚠ ADVERTENCIA

Riesgo de descargas eléctricas

Desconecte la corriente antes de retirar las puertas.

Si no cumple estas normas de seguridad podría provocar la muerte o descargas eléctricas.

Estilo 2: sin máquina de fabricación de hielo en la puerta izquierda



Desmontar las puertas del frigorífico

⚠ ADVERTENCIA



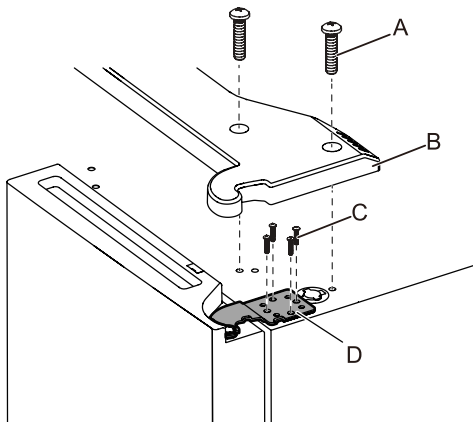
Riesgo de descargas eléctricas

Desconecte la corriente antes de retirar las puertas.

Si no cumple estas normas de seguridad podría provocar la muerte o descargas eléctricas.

Desmontar la puerta derecha

1. Desenchufe el frigorífico o desconecte la corriente.
2. Mantenga las puertas del frigorífico cerradas hasta que esté listo para levantarlas y liberarlas del cuerpo del frigorífico.
NOTA: Proporcione un soporte adicional a la puerta del frigorífico mientras se retiran las bisagras. No dependa de los imanes de la junta de la puerta para mantener la puerta en su sitio mientras trabaja.
3. Con un destornillador Phillips, retire la tapa de la bisagra superior.
4. Con una llave de vaso de 5 mm, retire los cuatro tornillos de la bisagra superior y déjelos a un lado.



- A. Tornillo de la tapa de la bisagra superior
- B. Tapa de la bisagra superior
- C. Tornillos de cabeza hueca de 5 mm
- D. Bisagra superior

⚠ ADVERTENCIA

Riesgo por exceso de peso

La puerta del electrodoméstico se debe levantar entre dos personas.

Si no se sigue esta recomendación, se pueden provocar lesiones en la espalda o de otro tipo.

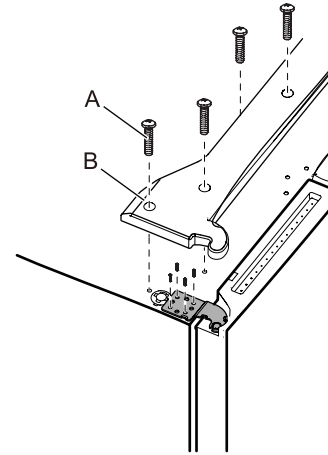
5. Levante la puerta del frigorífico por el pasador de la bisagra central. La bisagra superior se desprenderá con la puerta.

Desmontar la puerta izquierda

IMPORTANTE: El cableado para la interfaz del usuario pasan por la bisagra de la puerta izquierda, por lo que deben desconectarse antes de desmontar la puerta.

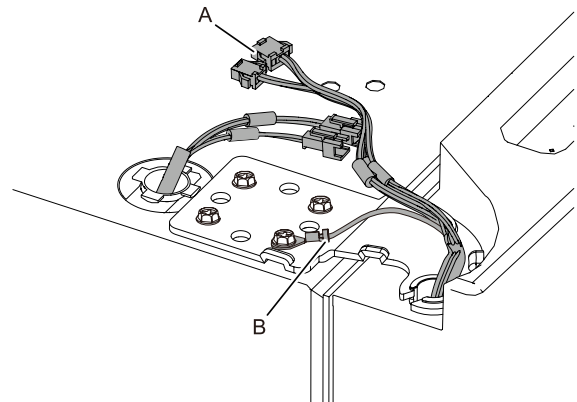
Estilo 1: máquina de fabricación de hielo en la puerta izquierda

1. Con un destornillador Phillips, retire la tapa de la bisagra superior.



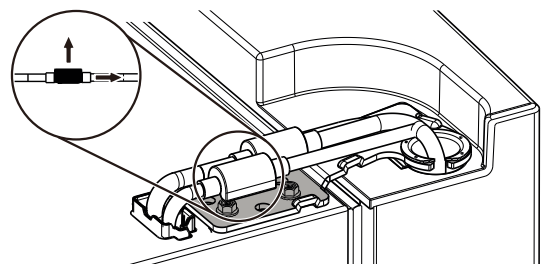
- A. Tornillo de la tapa de la bisagra superior
- B. Tapa de la bisagra superior

2. Desconecte los dos enchufes de cableado situados en la parte superior de la bisagra de la puerta.
 - Sujete cada lado de los enchufes de cableado. Con el pulgar izquierdo, presione hacia abajo para soltar el cierre y separe las secciones de los enchufes.

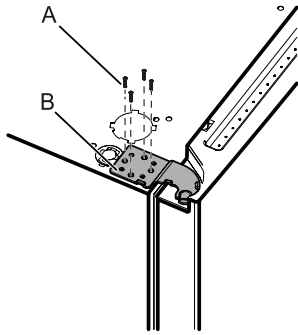


- A. Enchufe de cableado
- B. Conector de tierra

3. Desconecte el tubo del dispensador de agua situado en la parte superior de la bisagra de la puerta. Tire firmemente hacia arriba del cierre. A continuación, extraiga el tubo del racor.
NOTA: El tubo del dispensador de agua permanece acoplado a la puerta izquierda del frigorífico.



4. Con una llave de vaso de 5 mm, retire los cuatro tornillos internos de la bisagra superior y déjelos a un lado.



A. Tornillos de cabeza hueca de 5 mm
B. Bisagra superior

NOTA: Proporcione un soporte adicional para la puerta del refrigerífico mientras se retiran las bisagras. No dependa de los imanes de la junta de la puerta para mantener la puerta en su sitio mientras trabaja.

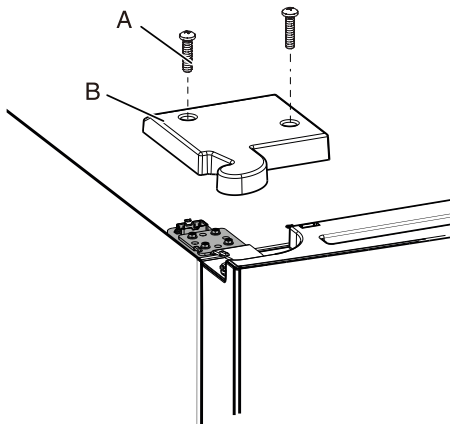
5. Levante la puerta del refrigerífico por el pasador de la bisagra inferior. La bisagra superior se desprenderá con la puerta.

NOTA: Puede que no sea necesario retirar los pies de freno para desplazar el refrigerífico a través de una entrada.

 - Solamente si es necesario, utilice una llave de vaso de 6 mm y un destornillador Phillips n.º 2 para desmontar la bisagra central.

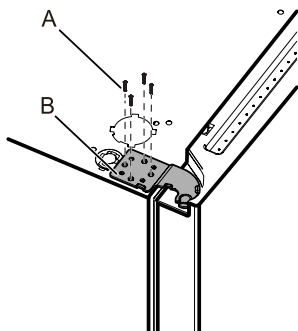
Estilo 2: sin máquina de fabricación de hielo en la puerta izquierda

1. Con un destornillador Phillips, retire la tapa de la bisagra superior.



A. Tornillo de la tapa de la bisagra superior
B. Tapa de la bisagra superior

2. Con una llave de vaso de 5 mm, retire los cuatro tornillos internos de la bisagra superior y déjelos a un lado.



A. Tornillos de cabeza hueca de 5 mm
B. Bisagra superior

NOTA: Proporcione un soporte adicional para la puerta del refrigerífico mientras se retiran las bisagras. No dependa de los imanes de la junta de la puerta para mantener la puerta en su sitio mientras trabaja.

3. Levante la puerta del refrigerífico por el pasador de la bisagra inferior. La bisagra superior se desprenderá con la puerta.

NOTA: Puede que no sea necesario retirar los pies de freno para desplazar el refrigerífico a través de una entrada.

 - Solamente si es necesario, utilice una llave de vaso de 6 mm y un destornillador Phillips n.º 2 para desmontar la bisagra central.

Volver a colocar la puerta derecha del refrigerífico

1. Coloque la puerta derecha en el pasador de bisagra central.
2. Inserte el pasador de la bisagra superior en el orificio abierto de la parte superior de la puerta del refrigerífico.
3. Mediante cuatro tornillos de cabeza hueca de 5 mm, fije la bisagra al cuerpo del refrigerífico. No apriete completamente los tornillos.

Volver a colocar la puerta izquierda del refrigerífico

1. Coloque la puerta izquierda en el pasador de bisagra central.
2. Mediante cuatro tornillos de cabeza hueca de 5 mm, fije la bisagra al cuerpo del refrigerífico. No apriete completamente los tornillos.
3. Vuelva a conectar el cableado eléctrico.
 - Junte las dos secciones del enchufe de cableado.
 - Vuelva a conectar el cable de tierra al tornillo de la bisagra.

Pasos finales

1. Apriete completamente los ocho tornillos de cabeza hueca de 5 mm.
2. Vuelva a colocar las tapas de las bisagras superiores.

Desmontar y volver a colocar la puerta del congelador

Dependiendo de la anchura del hueco de la puerta, puede ser necesario desmontar la puerta del congelador para trasladar el refrigerífico a su hogar.

IMPORTANTE:

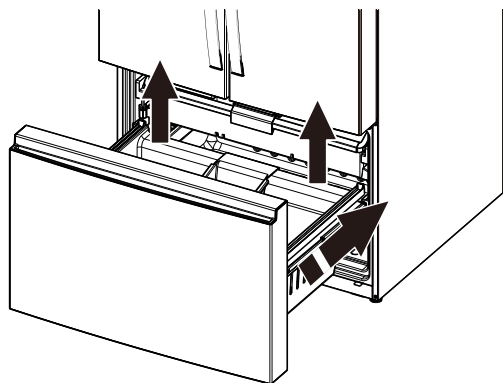
- Si el refrigerífico estaba instalado anteriormente y lo va a trasladar fuera de la vivienda, antes de empezar, coloque el control del refrigerífico en la posición de apagado y desenchufe el refrigerífico o desconecte la alimentación.
- Desmonte de las puertas los alimentos y los recipientes ajustables para puertas o servicios.
- Es posible que se necesiten dos personas para desmontar y volver a colocar la puerta del congelador.

Herramientas necesarias: Destornillador Phillips.

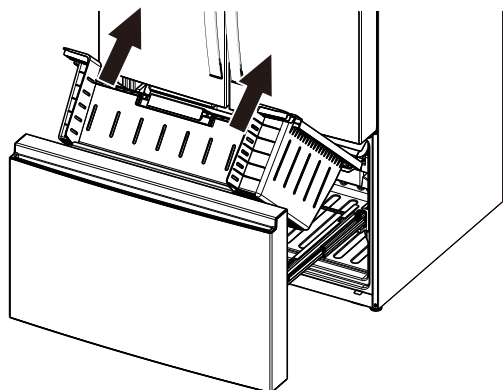
Desmontar y volver a colocar la puerta del congelador o retirar el cajón del congelador

NOTA: Tanto si se trata de desmontar la puerta del congelador como de volverla a colocar o de retirar el cajón del congelador, primero debe llevar a cabo los pasos 1 a 3 y, a continuación, seleccionar los pasos 4, 5 y 6 según sus necesidades.

1. Abra completamente la puerta del congelador.
2. Levante el cajón superior y empújelo hacia el interior del cuerpo del frigorífico.

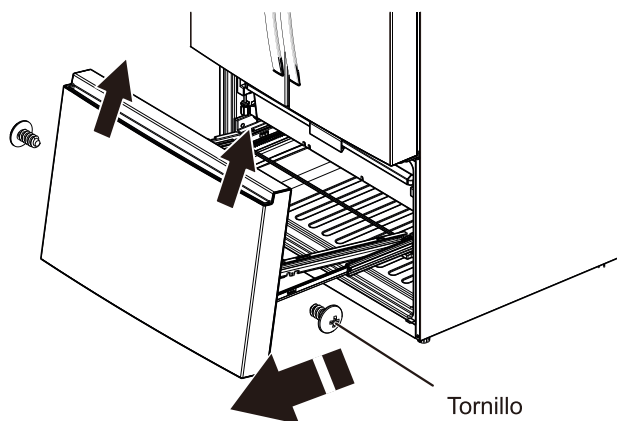


3. Quite el cajón inferior y colóquelo fuera de cuerpo del frigorífico.



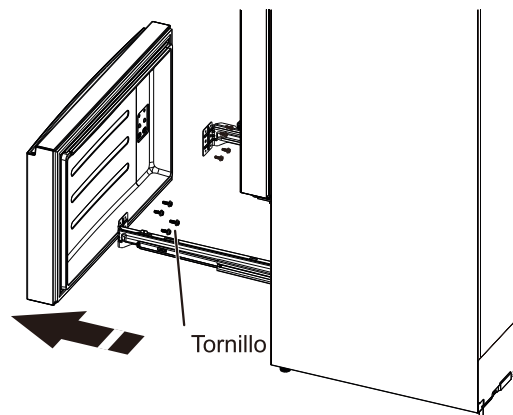
4. Desmontar la puerta del congelador

Utilice un destornillador Phillips para retirar los tornillos que conectan la puerta del congelador al riel guía (un tornillo en cada lado), levante la puerta del congelador y retírela.



5. Volver a colocar la puerta del congelador

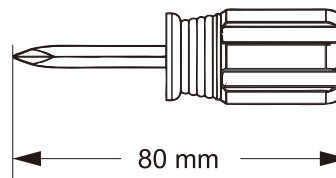
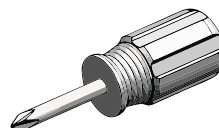
Utilice un destornillador Phillips para quitar los cuatro tornillos que se encuentran a cada lado de la puerta y el soporte metálico y, a continuación, desmonte la puerta y sustitúyala por una nueva.



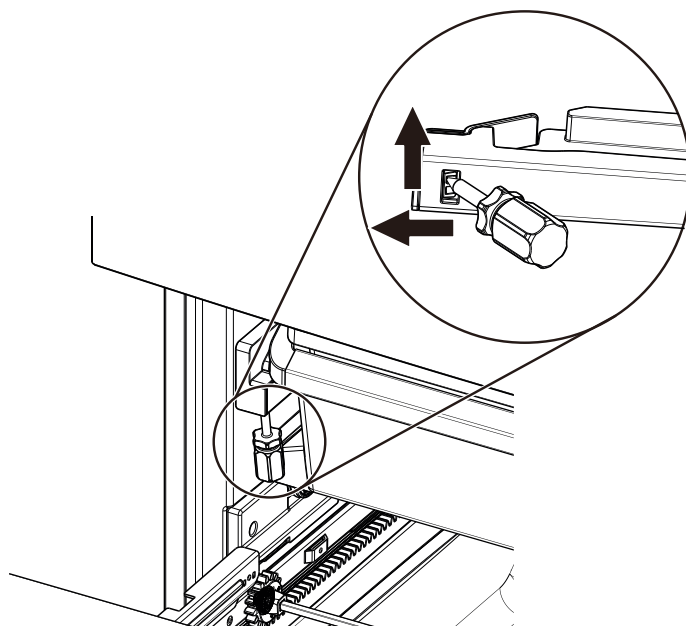
6. Retirar el cajón superior del congelador

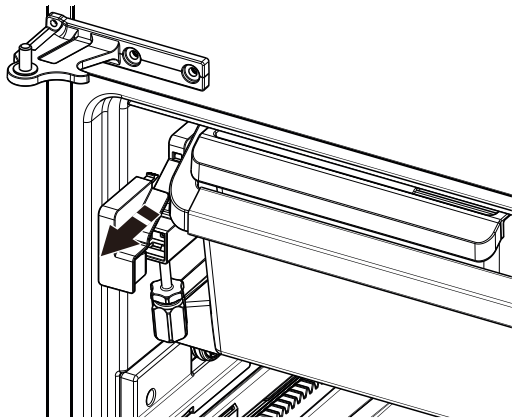
NOTA: Retire el cajón superior del congelador solamente a través de profesionales del servicio posventa.

- Busque un destornillador Phillips adecuado con una longitud total inferior a 80 mm.



- Introduzca la cabeza del destornillador en la ranura de la hebilla situada debajo del engranaje de tope izquierdo, ejerza fuerza hacia arriba y hacia fuera sobre la hebilla para liberarla y retire dicho engranaje.





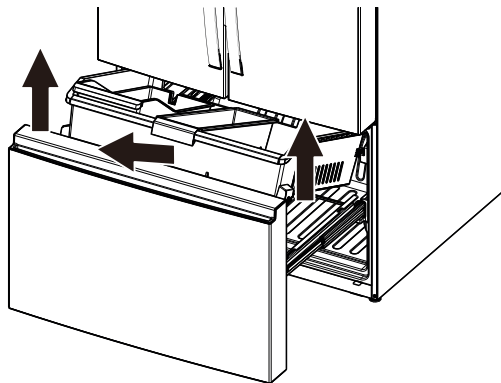
Instalación y desinstalación de los tiradores

Piezas incluidas: tiradores de las puertas del frigorífico (2), llave hexagonal de 1/4" (1), instrucciones para instalar los tiradores en las puertas (1).

Instalar tiradores

NOTA: El kit de tiradores se suministra con instrucciones para instalarlos en las puertas. Sígala atentamente.

- Tire del cajón superior hacia fuera hasta el tope y levántelo hacia arriba y hacia fuera.



Pasos finales

⚠ ADVERTENCIA



Riesgo de descargas eléctricas

Enchufe el electrodoméstico a una toma de 3 clavijas conectada a tierra.

No quite la clavija de toma de tierra.

No utilice un adaptador.

No utilice un alargador.

No seguir estas instrucciones podría provocar la muerte, un incendio o descargas eléctricas.

1. Enchufe el electrodoméstico a una toma con conexión a tierra.
2. Vuelva a colocar todas las piezas extraíbles y los alimentos en los cajones.

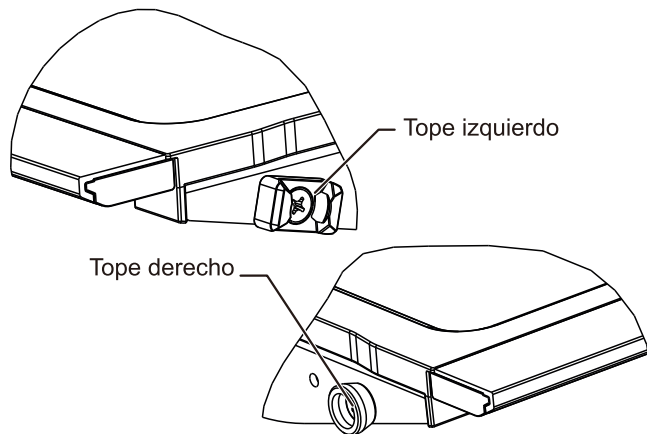
Baldas, recipientes y cajones

Baldas y marcos para baldas

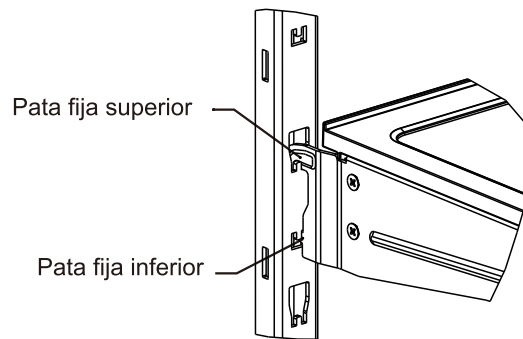
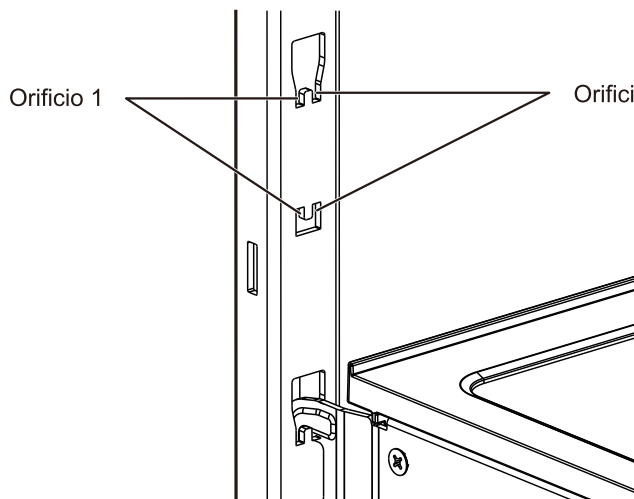
Las baldas medias del refrigerador son ajustables para adaptarse a sus requisitos individuales de almacenamiento. Almacenar alimentos similares juntos en el refrigerador y ajustar las baldas para que se adapten a las diferentes alturas de los artículos permitirá encontrar el artículo exacto que desea de forma más fácil. También reducirá el tiempo que la puerta del refrigerador está abierta y ahorrará energía.

Para retirar y volver a colocar una media balda con marco de balda:

1. Retire la balda sujetando el borde delantero de la media balda izquierda e incline la media balda derecha hacia arriba hasta separar el tope izquierdo del derecho.



2. Levante toda la balda y sáquela de sus soportes.
3. Vuelva a colocar la balda guiando la pata fija superior para introducirla en el soporte de la balda. Incline la parte delantera de la balda hacia arriba hasta que la pata fija superior caiga en los soportes de la balda.



NOTA: El orificio 1 solamente se puede utilizar para el soporte de la media balda izquierda y el orificio 2 únicamente se puede utilizar para el soporte de la media balda derecha. Si se colocan incorrectamente, la balda será inestable y no se podrá utilizar.

4. Baje la parte delantera de la balda y asegúrese de que la pata fija inferior esté en posición.

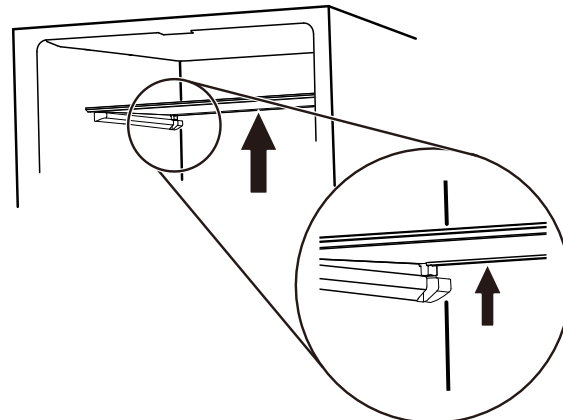
Baldas de cristal completas

IMPORTANTE:

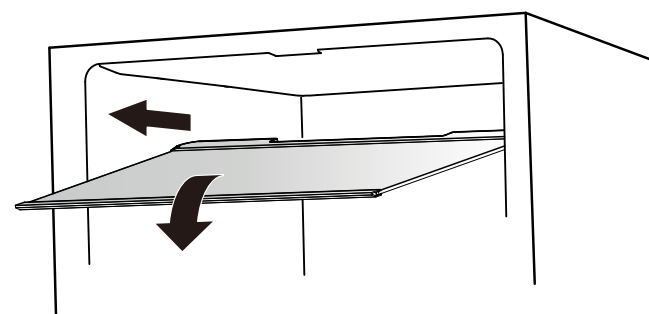
- Las baldas de cristal completas no son ajustables en altura.
- Si desea extraer la tapa del cristal del cajón para frutas y verduras, primero debe retirar las puertas del refrigerador.

Para retirar y volver a colocar el estante de cristal completo:

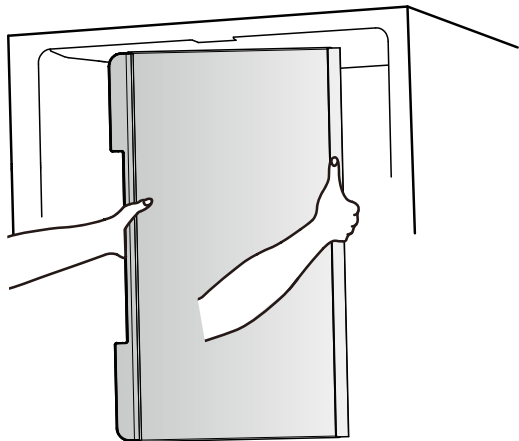
1. Sujete la parte inferior de la balda de cristal con las manos y levántela hasta que el tope de la parte trasera de dicha balda se libere de los carriles.



2. Desplace la balda de cristal hacia delante y baje la balda delantera hasta que el embellecedor trasero quede fuera de los soportes.



3. Saque la balda y tenga cuidado de no dañar la puerta del frigorífico.
4. Si el paso 3 no es fácil de operar. Gire la balda de cristal a la posición que se muestra en la figura y, a continuación, sáquela.



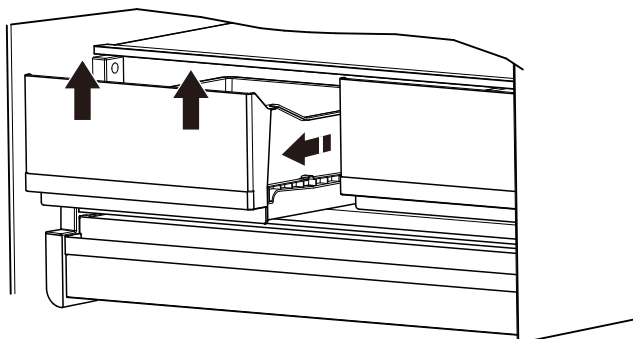
Compartimentos de almacenamiento del congelador

- Use estos cajones para congelar una mayor cantidad de alimentos frescos o cocidos (de una manera mejor y más rápida).
- La opción Fast Freeze (Congelamiento rápido) le permite almacenar todos los alimentos congelados.

Cajones para frutas y verduras

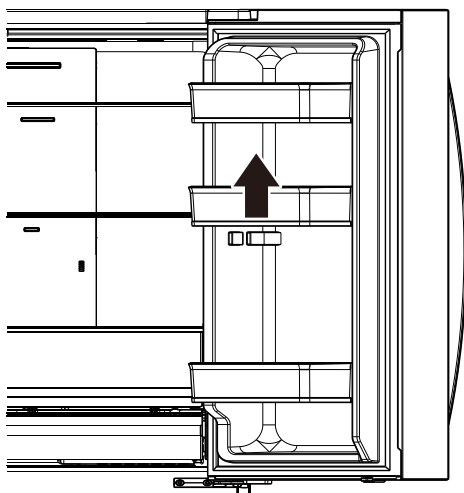
Para retirar y volver a colocar los cajones:

1. Agarre el tirador situado en la parte inferior del cajón y deslice este en posición recta hacia fuera hasta el tope. Levante el cajón para separarlo de la guía inferior.
2. Vuelva a poner el cajón colocándolo en su guía inferior y empujándolo hasta el tope su cajón hasta que quede en su sitio.



Recipientes de la puerta del frigorífico

Los recipientes de la puerta del frigorífico son ajustables para satisfacer sus requisitos individuales de almacenamiento. Los recipientes facilitan la personalización del almacenamiento de la puerta para alojar recipientes de 3,8 l (un galón).



HOJA DE DATOS DE RENDIMIENTO

Sistema de filtrado de agua

Modelo W11569863 (PID), W11569861 (sin PID)

Números de modelo de los elementos de recambio: EDRARXD1/EDRARXD1B/W11536439/WHRARXD1/
WHRARXD1B/ KADARXD1/ KADARXD1B/ MAYARXD1/ MAYARXD1B/W11486187

Capacidad 200 galones (757 litros) con PID W11569863, 100 galones (379 litros) sin PID W11569861.



Sistema probado y certificado por UL LLC, según las normas NSF/ANSI 42, 53 y 401 y CSA B483.1 para la reducción de los contaminantes especificados en la Hoja de datos de rendimiento.

Este sistema ha sido probado según las normas NSF/ANSI 42, 53, 401 y CSA B483.1 para la reducción de las sustancias enumeradas a continuación. La concentración de las sustancias indicadas en el agua que ingresa al sistema se redujo a una concentración inferior o igual al límite permitido para el agua que sale del sistema, tal como se especifica en las normas NSF/ANSI 42, 53 y 401 y CSA B483.1.

Efectos estéticos de la reducción de sustancias	Concentración en el agua a tratar	Requisitos de reducción	Reducción del porcentaje promedio	% mínimo de reducción
Sabor/olor a cloro	2,0 mg/L ± 10%	Reducción del ≥ 50%	99,39	99
Clase de partículas I*	Por lo menos 10 000 partículas/ml	Reducción del ≥ 85%	99,52	99,33
Reducción de contaminantes	Concentración en el agua a tratar	Requisitos de reducción	% promedio de reducción	% mínimo de reducción
Plomo: a pH 6,5 / a pH 8,5	0,150 mg/L ± 10%	0,005 mg/L	99,29/99,84	99,07/99,46
Mercurio: a pH 6,5 / a pH 8,5	0,006 mg/L ± 10%	0,002 mg/L	97,38/92,78	92,98/75,86
Asbesto	10 ⁷ a 10 ⁸ fibras/L††	≥ 99 %	> 99	> 99
Quistes†	50 000/l min.	≥ 99,95%	≥ 99,997	> 99,997
Atrazina	0,009 mg/L ± 10%	0,003 mg/L	> 98,98	> 98,95
Benceno	0,015 mg/L ± 10%	0,005 mg/L	> 99,28	> 99,17
Carbofurano	0,080 mg/L ± 10%	0,040 mg/L	83,93	58,7
Lindano	0,002 mg/L ± 10%	0,0002 mg/L	95,22	95
P-Diclorobenceno	0,225 mg/L ± 10%	0,075 mg/L	99,95	99,95
Tetracloroetileno	0,015 mg/L ± 10%	0,005 mg/L	99,33	99,29
Toxafeno	0,015 mg/L ± 10%	0,003 mg/L	99,27	99,17
O-Diclorobenceno	1,8 mg/L ± 10%	0,6 mg/L	> 99,995	> 99,995
Tolueno	3,0 mg/L ± 10%	1,0 mg/L	> 99,996	> 99,996
Estireno	2,0 mg/L ± 10%	0,1 mg/L	> 99,995	> 99,993
1,2,4-Triclorobenceno	0,210 mg/L ± 10%	0,07 mg/L	> 99,55	> 99,42
Tricloroetileno	0,3 mg/L ± 30%	0,005 mg/L	> 99,96	> 99,95
Endrina	0,006 mg/L ± 10%	0,002 mg/L	92,32	83,93
Etilbenceno	2,1 mg/L ± 10%	0,7 mg/L	> 99,99	> 99,99

2,4 - D	0,210 mg/L ± 10%	0,07 mg/L	98,89	94,76
Turbidez	11 NTU ± 10%	0,5 NTU	98,88	98,17
Atenolol	200 ± 20 %	30 ng/L	95,27	94,98
Carbamazepina	1400 ± 20 %	200 ng/L	96,2	96,09
Linurón	140 ± 20 %	20 ng/L	93,53	92,31
Meprobamato	400 ± 20 %	60 ng/L	94,54	94,32
Trimetoprima	140 ± 20 %	20 ng/L	96,27	95,94
DEET	1400 ± 20 %	200 ng/L	96,32	96,21
Metolacloro	1400 ± 20 %	200 ng/L	96,67	96,5
Bisfenol A	2000 ± 20 %	300 ng/L	95,07	94,82
Estrona	140 ± 20 %	20 ng/L	96,27	96,15
Nonilfenol	1400 ± 20 %	200 ng/L	92,61	90,48
Naproxeno	140 ± 20 %	20 ng/L	96,09	95,83
Ibuprofeno	400 ± 20 %	60 ng/L	95,44	95,13
TCP	5000 ± 20 %	700 ng/L	92,78	92,59
TCEP	5000 ± 20 %	700 ng/L	96,62	96,55
Fenitoína	200 ± 20 %	30 ng/L	95,6	95,12
VOC**	0,300 mg/L ± 10%	0,015 mg/L	> 99,58	> 96,21

Parámetros de la prueba: pH = 7,5 ± 0,5, a menos que se indique otro valor. Flujo = 0,52 gpm (1,97 Lpm). Presión = 60 psig (413,7 kPa). Temp. = 68 °F a 71,6 °F (20 °C a 22 °C). Capacidad de servicio nominal = 200 galones (757 litros) W11569863 con PID, 100 galones (379 litros) W11569861 sin PID.

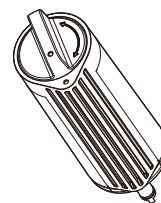
Los compuestos certificados según NSF 401 se han considerado "compuestos emergentes o contaminantes incidentales". Compuestos emergentes/contaminantes incidentales que se detectaron en suministros de agua potable en niveles detectables. Aunque solo se presentan en niveles de traza, estos compuestos pueden afectar la aceptación o percepción pública de la calidad del agua potable.

- Es esencial que se lleven a cabo los requerimientos de operación, mantenimiento y reemplazo del filtro para que el producto se desempeñe tal como se publicita. Pueden ocurrir daños a la propiedad si no se siguen todas las instrucciones.
- El cartucho desechable deberá cambiarse al menos cada 6 meses. Los medios de adsorción gastados no se regeneran ni se utilizan.
- Utilizar la sustitución EDRARXD1/B, WHRARXD1/B, KADARXD1/B, MAYARXD1/. El precio sugerido de venta al por menor durante el año 2024 es de \$59.99 en EE. UU./\$69.99 en Canadá. Los precios están sujetos a cambio sin previo aviso. Disponible en www.everydropwater.com
- El sistema de monitoreo del filtro mide la cantidad de agua que atraviesa el filtro y emite una alerta cuando llega el momento de cambiarlo. Para saber cómo revisar el estado del filtro de agua, vea "Uso de los controles" o "Sistema de filtrado de agua" en las Instrucciones del usuario o el Manual del usuario.
- Después de cambiar el filtro de agua, enjuague el sistema de agua. Vea "Despachadores de agua y de hielo" o "Despachador de agua" en las Instrucciones del usuario o el Manual del usuario.
- Estos contaminantes no se encuentran necesariamente en su suministro de agua. Si bien las pruebas se realizaron bajo condiciones de laboratorio estándar, el rendimiento real puede variar.
- El producto es para su uso solo con agua fría.
- El sistema de agua deberá instalarse conforme a las leyes y normativas estatales y locales.
- El rendimiento real puede variar pues las pruebas se realizaron en condiciones estándar de laboratorio.
- No use con agua que no sea microbiológicamente segura o que sea de calidad desconocida sin desinfectarla adecuadamente antes o después del sistema. Pueden usarse sistemas certificados para la reducción de partículas en aguas desinfectadas que puedan contener partículas filtrables. EPA Est. N.º 85075-SG-001
- Consulte la sección "Garantía" (en las Instrucciones del usuario o el Manual del usuario) para ver la garantía limitada, el nombre y el número de teléfono del fabricante.

Normas de aplicación/Parámetros para el suministro de agua

Suministro de agua	Potable, municipal o de pozo
Presión de agua	30 psi - 120 psi (207 kPa - 827 kPa)
Temperatura del agua	33 °F a 100 °F (0,6 °C a 37,8 °C)
Flujo nominal de servicio	0,52 gpm (1,97 lpm). a 60 psi (413,7 kPa)

- Su sistema de filtrado de agua soportará una presión de agua de hasta 120 libras por pulgada cuadrada (psi). Si el suministro de agua es superior a 80 psi, instale una válvula reductora de presión antes de instalar el sistema de filtrado de agua.
- Cumple con la norma NSF/ANSI 53 para la reducción de VOC (contaminantes orgánicos volátiles). Vea la siguiente Tabla para los contaminantes individuales y el rendimiento de la reducción.



*Tamaño de las partículas clase I: >0,5 a >1 µm

**Este rendimiento de VOC representa la eliminación de 39 contaminantes basada en pruebas de sustitutos de VOC

†Con base en el uso de microesferas de poliestireno

††Fibras mayores de 10 µm de longitud

Hoja de datos de rendimiento de las solicitudes de reducción de productos químicos orgánicos incluidos en las pruebas de sustitución

Sustancia	Concentración de reto del influente (mg/L)	Concentración máxima admisible del producto en el agua (mg/L)
alaclor	0,050	0,001
altrazina	0,100	0,003
benceno	0,081	0,001
carbofurano	0,190	0,001
tetracloruro de carbono	0,078	0,0018
clorobenceno	0,077	0,001
cloropicrina	0,015	0,0002
2,4-d	0,110	0,0017
dibromocloropropano (DBCP)	0,052	0,00002
o-diclorobenceno	0,080	0,001
p-diclorobenceno	0,040	0,001
1,2-dicloroetano	0,088	0,0048
1,1-dicloroetileno	0,083	0,001
cis-1,2-dicloroetileno	0,170	0,0005
trans-1,2-dicloroetileno	0,086	0,001
1,2-dicloropropano	0,080	0,001
cis1,3-dicloropropileno	0,079	0,001
dinoseb	0,170	0,002
endrina	0,053	0,00059
etilbenceno	0,088	0,001
dibromuro de etileno (EDB)	0,044	0,00002
haloacetnitrilos (HAN)		
bromocloroacetnitrilo	0,022	0,0005
dibromoacetnitrilo	0,024	0,0006
dicloroacetnitrilo	0,0096	0,0002
tricloroacetnitrilo	0,015	0,0003
haloquetones (HK)		
1,1-dicloro-2-propanona	0,0072	0,0001
1,1,1-tricloro-2-propanona	0,0082	0,0003

heptacloro	0,025	0,00001
epóxido de heptacloro	0,0107	0,0002
hexaclorobutadiencia	0,044	0,001
hexaclorociclopentadieno	0,060	0,000002
lindano	0,055	0,00001
metoxicloro	0,050	0,0001
pentaclorofenol	0,096	0,001
simazina	0,120	0,004
estireno	0,150	0,0005
1,1,2,2-tetracloroetano	0,081	0,001
tetracloroetileno	0,081	0,001
tolueno	0,078	0,001
2,4,5-TP (Silvex)	0,270	0,0016
ácido tribromoacético	0,042	0,001
1,2,4-triclorobenceno	0,160	0,0005
1,1,1-tricloroetano	0,084	0,0046
1,1,2-tricloroetano	0,150	0,0005
tricloroetileno	0,180	0,0010
trihalometanos (incluye)		
cloroformo (químico sustituto)		
bromoformo	0,300	0,015
bromodiclorometano		
clorodibromometano		
xilenos (total)	0,070	0,001

Soporte al cliente **1.800.442.9991**
Por Whirlpool Corporation
2000 North M63
Benton Harbor, MI 49022

