

# ***Amana***

## **Bottom Freezer Refrigerator Owner's Manual**

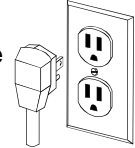
English .....	2
Español .....	21
Français .....	41

Keep these instructions for future reference. Be sure this manual stays with refrigerator.

# Contents

Electrical Requirements .....	2
Model Identification .....	2
Service .....	2
Asure™ Extended Service Plan .....	2
Proper Disposal of your Refrigerator .....	3
Cutout Dimensions .....	3
Installation Instructions .....	3
Door Reversal (Contour door models) .....	3
Door Reversal (Front-mounted handle) .....	3
Door Reversal (Side-mounted handle) .....	5
Install Decorator Panels .....	7
Connect Ice Maker Water Supply Line (some models) .....	8
Leveling Refrigerator .....	9
Installation Checklist .....	10
Controls .....	11
Fresh Food and Deepfreeze® Controls .....	11
Setting Controls .....	11
Fresh Food Features .....	11
Spillsaver™ Shelves .....	11
Deli Port™ .....	11
Drawers .....	12
Covered Storage Bucket .....	12
Dairy Centers .....	12
Door Buckets .....	12
Door Shelf .....	13
Adjustable Dividers .....	13
Tall Package Retainer .....	13
Deepfreeze® Features .....	13
Automatic Ice Maker(some models) .....	13
Ice Service Rack(some models) .....	13
Slideout Shelf(some models) .....	14
Vertical Shelf Divider(some models) .....	14
Pivot Bin™ .....	14
Care and Cleaning .....	14
General .....	14
Odor Removal .....	14
Adhesives .....	15
Door Gaskets .....	15
Condenser Coils .....	15
Glass Shelves .....	15
Light Bulbs .....	15
Energy Tips .....	15
Vacation Tips .....	16
Normal Operating Sounds .....	16
Before Calling For Service .....	17
Warranty .....	19

This refrigerator is equipped with a three-prong (grounding) plug for protection against possible shock hazards. If a two-prong wall receptacle is encountered, contact a qualified electrician and have the two-prong wall receptacle replaced with a properly grounded three-prong wall receptacle in accordance with the National Electrical Code.



Refrigerator is designed to operate on a separate 103 to 126 volt, 15 amp., 60 cycle line.

## Model Identification

Thank you for purchasing this Amana® refrigerator. Please read this Owner's Manual thoroughly. This manual provides proper maintenance information. Any questions, call the Consumer Affairs Department at **1-800-843-0304** inside U.S.A. and **1-319-622-5511** outside U.S.A., or contact us on the internet at [www.amana.com](http://www.amana.com).

**Complete registration card** and promptly return. If registration card is missing, call the Consumer Affairs Department.

When contacting Amana Appliances, provide product information. Product information is on the serial plate, located on the ceiling of refrigerator section. Record the following information:

Model Number: \_\_\_\_\_

Manufacturing Number: \_\_\_\_\_

S/N or Serial Number: \_\_\_\_\_

Date of purchase: \_\_\_\_\_

Dealer's name and address: \_\_\_\_\_

## Service

**Keep a copy of sales receipt** for future reference or in case warranty service is required. Any questions or to locate an authorized servicer, call 1-800-NAT-LSVC (1-800-628-5782) inside U.S.A. 319-622-5511 outside U.S.A., or contact us on the internet at [www.amana.com](http://www.amana.com).

Warranty service must be performed by an authorized servicer. Amana, also recommends contacting an authorized servicer if service is required after warranty expires.

## Asure™ Extended Service Plan

Amana offers long-term service protection for this new refrigerator. Asure™ Extended Service Plan is specially designed to supplement Amana's strong warranty. This plan covers parts, labor, and travel charges.

Call 1-800-528-2682, or contact us on the internet at [www.amana.com](http://www.amana.com) for information.

**For more information visit our web site:**  
[www.amana.com](http://www.amana.com)

**Note:** Translation may sometimes cause variations in meaning. In all cases where meaning varies, the most accurate meaning will be the English version of this document.



**Recognize this symbol as a safety precaution.**

## Electrical Requirements



### WARNING

To avoid electrical shock which could cause severe personal injury or death:

- Do not cut or remove grounding prong from plug.
- **Do not use a two-prong adapter.**
- **Do not use an extension cord.**
- Do not remove warning tag from power cord.
- Follow all grounding and connection instructions.

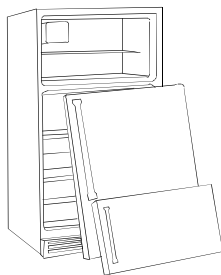
**⚠ DANGER**

**Proper Disposal of your Refrigerator**

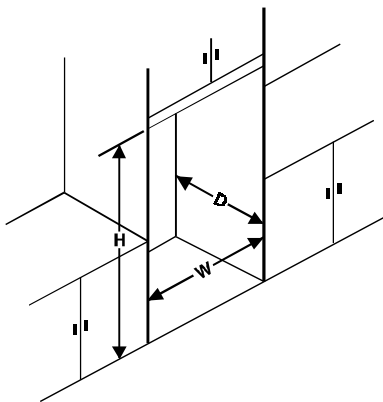
**IMPORTANT:** Child entrapment and suffocation are not problems of the past. Junked or abandoned refrigerators are still dangerous—even if they sit for "just a few days". If you are getting rid of your old refrigerator, please follow the instructions below to help prevent accidents.

**BEFORE YOU THROW AWAY YOUR OLD REFRIGERATOR OR FREEZER:**

- Take off the doors.
- Leave the shelves in place so children may not easily climb inside.



**Cutout Dimensions**



Single Installation	
H	• 69" with 12" deep cabinets above refrigerator. • 70" with 24" deep cabinets above refrigerator.
W	36"
D	24"

**Installation Instructions**

Proper installation will ensure that this refrigerator operates most efficiently. Amana cannot be responsible for improper installation.

**Service Notice: Contour Door Models Only**

Only a qualified servicer can reverse this door. To have doors reversed, please call 1-800-843-0304. There is a fee charged for this service.

**Tools Required**

- $\frac{5}{16}$ " hex nut driver
- $\frac{3}{16}$ " hex nut driver
- $\frac{1}{4}$ " hex nut driver
- Phillips screwdriver
- Blade screwdriver
- Putty knife (blade covered by masking tape)

**IMPORTANT:**

- Save all screws for reuse.
- For plug removal requiring use of flat blade screwdriver or putty knife, **blade of tool must be covered with masking tape to avoid damage to refrigerator finish.** For plugs using a screwdriver or nut driver style head, use appropriate tool to avoid damage to plugs.

**⚠ CAUTION**

To avoid personal injury or property damage caused by refrigerator tipping, stabilizing leg must be firmly against floor.

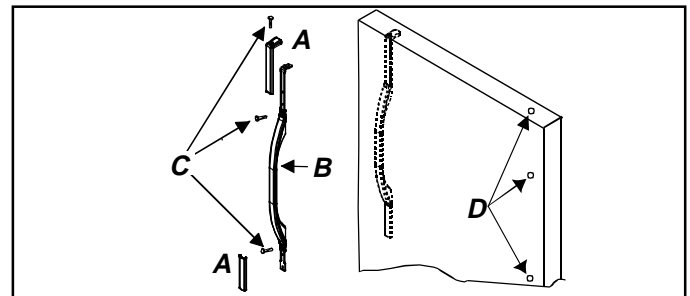
**Door Reversal (Contour door model)**

Only a qualified servicer can reverse this door. To have doors reversed, please call 1-800-843-0304. There is a fee charged for this service.

**Door Reversal (Front mounted handle)**

Some installations may require door reversal to achieve full door swing. To reverse door swing direction perform the following steps.

1. Remove refrigerator handle.
  - Remove handle screw from top handle trim. Pry up edge of handle trim using a putty knife with the blade covered with masking tape. Remove handle from door by removing 1 remaining mounting screw at each end of handle.
  - Remove 1 plug from top hinge side of door and 2 from front hinge side of door. Transfer plugs to opposite side of door to fill empty mounting holes.

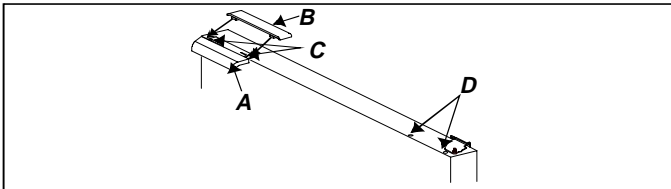


A Handle trim  
B Handle  
C Screws  
D Plugs

2. Remove freezer door handle.
  - Open freezer door 90°. Locate two notches on back of freezer handle. Insert flat screwdriver blade or putty knife blade wrapped in masking tape. Pry up back edge of handle cap and remove from handle.
  - Remove handle from door by removing two mounting screws.



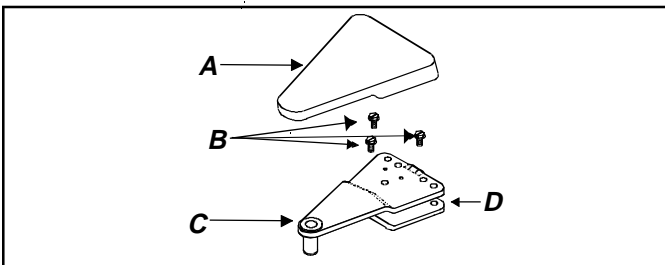
- Remove 2 plugs from hinge side of freezer door and transfer to opposite side to fill holes left from handle removal.



A Handle  
B Handle cap  
C Screws  
D Plug

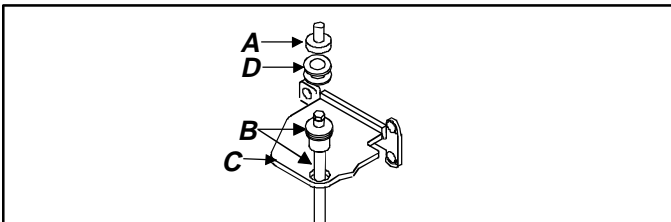
3. Remove doors.

- Remove top hinge cover. Top hinge cover snaps off. Remove top hinge and hinge shim using  $\frac{5}{16}$ " hex nut driver. Remove and retain all shims.



A Top hinge cover  
B  $\frac{5}{16}$ " hex nut screws  
C Top hinge  
D Hinge shim

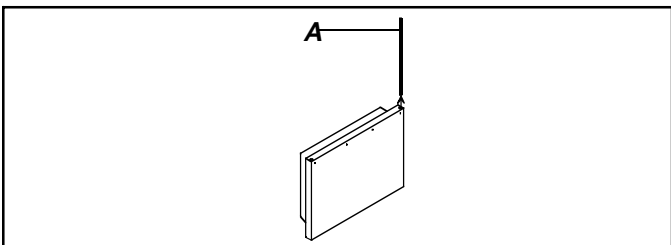
- Remove refrigerator door by lifting door off door closure on center hinge pin assembly. Inspect door to verify all shims are with pin assembly.
- Remove and retain door closure from top of center hinge pin assembly. Remove assembly using  $\frac{1}{4}$ " hex nut driver. Due to tight fit of pin, firm pressure may need to be applied. Remove and retain all washer shims.



A Door closure  
B Center hinge pin assembly\*  
C Center hinge  
D Washer shims

\* Hinge pin may come assembled or as separate parts

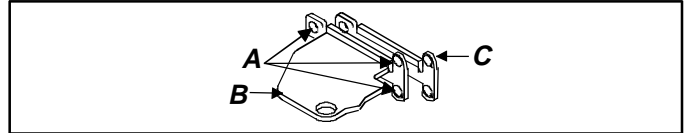
- Remove freezer door by lifting door off bottom hinge. An internal support rod may slide out of hinge socket. Remove from hinge socket and transfer rod to opposite side of freezer door.



A Support rod (some models)

4. Remove center hinge.

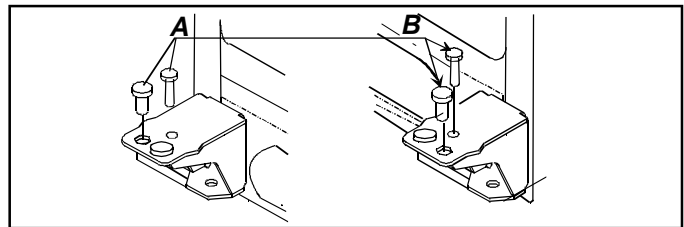
- Remove center hinge bracket and shims by removing screws using a Phillips screwdriver.
- Remove 3 screws opposite of center hinge and transfer to opposite side of cabinet.
- Install bracket on left side of cabinet with shims.



A Phillips screws  
B Center hinge  
C Center hinge shim

5. Reverse lower hinge pin and closure.

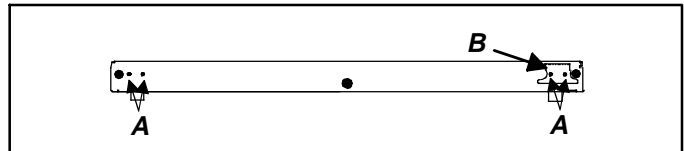
- Move bottom hinge pin and door closure from bottom hinge to opposite bottom hinge. Move plastic blugs from bottom hinge to opposite hinge using needle-nose pliers. Pinch tabs from underside of hinge to remove.



A Left side  
B Right side

6. Reverse door stops.

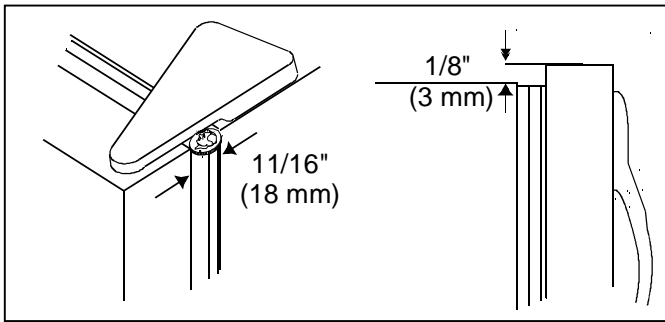
- Locate door stop at bottom edge of refrigerator door. Unscrew two Phillips screws to remove door stop. Remove the two Phillips screws on opposite edge of door. Mount door stop on opposite side. Replace remaining screws in empty mounting holes.
- Repeat the above instructions to reverse door stop on freezer door.



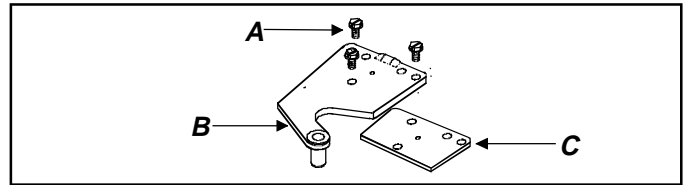
A Screws  
B Door stop

7. Replace doors.

- Rehang freezer door by setting left freezer door hinge hole on bottom left hinge pin. Install center hinge pin in center hinge bracket with hex nut driver. Place center hinge door closure on center hinge pin.
- Locate 3 plugs at top of cabinet. Transfer plugs to holes left by hinge removal.
- Replace top hinge on opposite side of refrigerator cabinet by installing rear screws loosely with a  $\frac{5}{16}$ " hex nut driver. Set refrigerator door on center hinge door closure. Install remaining screw and tighten all screws. Snap on hinge cover.
- Use a dime to space door  $\frac{11}{16}$ " (18 mm) from cabinet. Use plastic shims behind center hinge to provide more space if required.
- Handle side of door should be approximately  $\frac{1}{8}$ " (3 mm) higher than hinge side of door. **Door will become level when it is loaded with food.**



- Use  $\frac{5}{16}$ " hex nut driver to remove top hinge screws. Remove and retain all shims.



A  $\frac{5}{16}$ " hex nut screws  
B Top hinge  
C Top hinge shim

8. Reinstall handles.
  - Mount refrigerator handle on opposite side of door using mounting screws removed in previous step.
  - Snap handle trim into place and replace screw.
  - Mount freezer handle to opposite side of door using mounting screws removed in previous step.
  - Angle front edge of handle cap downward toward back lip of freezer handle. Verify bottom tab on freezer cap slides under rear lip of freezer handle. Snap rear edge of handle cap in place.
9. Check unit for proper leveling following instructions in section titled *Leveling Refrigerator*, starting with step three.

### Door Reversal (Side mounted handles)\*

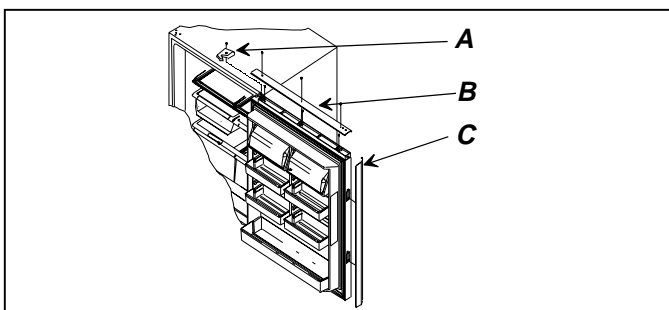
\*Non contour doors only

#### Tools Required

- #1 & #2 Phillips Head Screw Driver
- Flat blade screwdriver
- Rubber mallet
- $\frac{1}{4}$ " hex nut driver
- $\frac{3}{8}$ " hex nut driver
- $\frac{5}{8}$ " hex nut driver
- $\frac{9}{16}$ " hex nut driver
- $\frac{9}{32}$ " hex nut driver
- T-15 Torx head driver

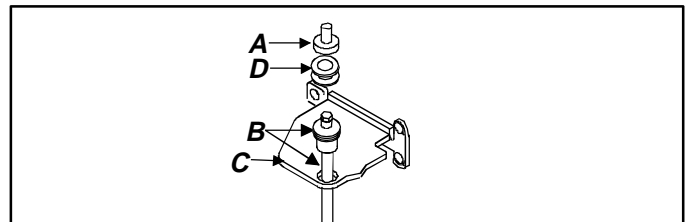
#### IMPORTANT:

- Keep all discarded parts with literature assembly.
  - Save all screws for reuse.
  - For plug removal requiring use of flat blade screwdriver or putty knife, **blade of tool must be covered with masking tape to avoid damage to refrigerator finish.** For plugs using a screwdriver or nut driver style head, use appropriate tool to avoid damage to plugs.
1. Remove top refrigerator door cap and hinge cover.
    - Remove 3 Phillips screws to release top door cap.
    - Remove hinge cover by unscrewing one Phillips screw.



A Hinge cover  
B Top door cap  
C Handle

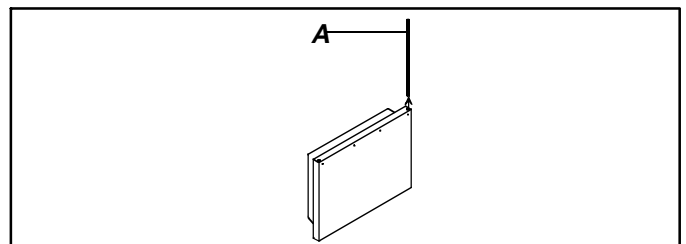
- Remove refrigerator door by lifting door off door closure on center hinge pin assembly. Inspect door to verify all shims are with pin assembly.
- Remove and retain door closure from top of center hinge pin assembly. Remove assembly using  $\frac{1}{4}$ " hex nut driver. Due to tight fit of pin, firm pressure may need to be applied. Remove and retain all washer shims.



A Door closure  
B Center hinge pin assembly\*  
C Center hinge  
D Washer shims

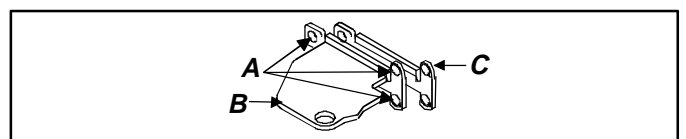
\* Hinge pin may come assembled or as separate parts

- Remove freezer door by lifting door off bottom hinge. An internal support rod may slide out of hinge socket. Remove from hinge socket and transfer rod to opposite side of freezer door.



A Support rod (some models)

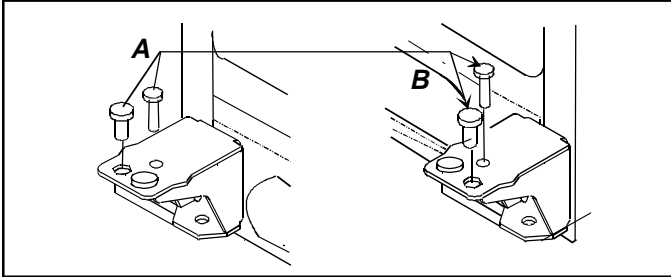
2. Remove center hinge.
  - Remove center hinge bracket and shims by removing screws using a Phillips screwdriver.
  - Remove 3 screws opposite of center hinge and transfer to opposite side of cabinet.
  - Install bracket on opposite side of cabinet with shims.



A Phillips screws  
B Center hinge  
C Center hinge shim

3. Reverse lower hinge pin and closure.

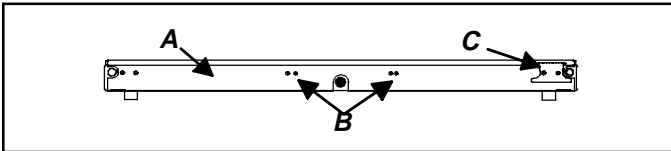
- Move bottom hinge pin and door closure from right bottom hinge to left bottom hinge. Move plastic plugs from left bottom hinge to right bottom hinge using needle nose pliers. Pinch tabs from underside of hinge to remove.



A Left side B Right side

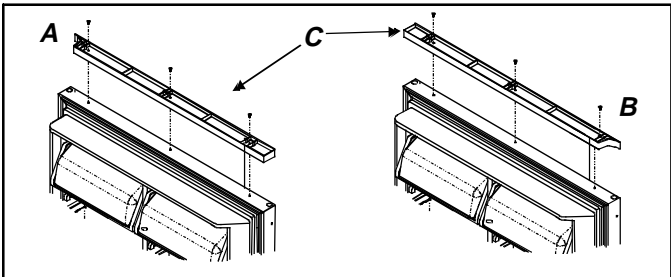
4. Remove door stops and reverse door extensions.

- Locate door stop and bottom of refrigerator door and freezer door. Remove with Phillips screwdriver.



A Bottom door cap C Door stop  
B Screws

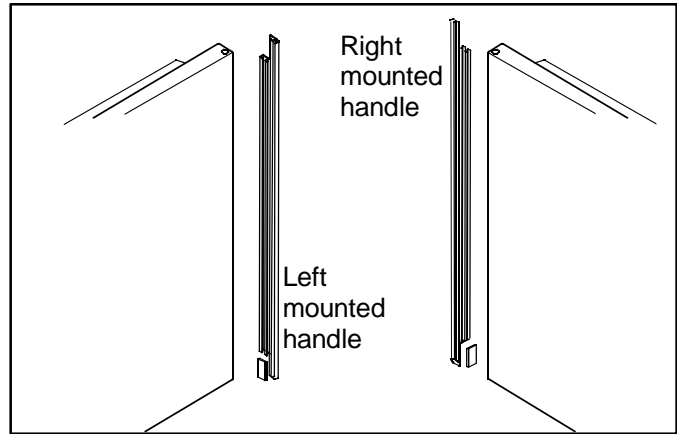
- Unscrew door extension on top of door with Phillips screw driver. Flip door extension and reinstall.



A Before B After  
C Door extension

5. Reverse handles.

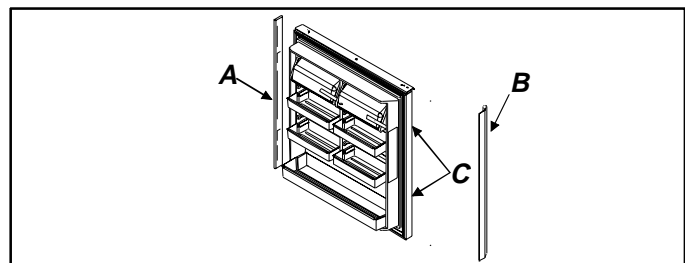
- Remove bottom door cap with Phillips screwdriver.
- Using a soft rubber mallet, tap bottom of handle upward toward top of door. Handle will slide up approximately  $\frac{3}{4}$ " and release from door.
- Using a soft rubber mallet, tap bottom of door hinge trim upward toward top of door. Trim will slide up approximately  $\frac{3}{4}$ " and release from door.
- Turn trim 180° and remove plastic tab on top of trim. Return tab to literature assembly. Locate alternate tab piece in literature assembly and place this in notch at bottom end of trim.



- Replace bottom door cap and transfer door stop to opposite side.
- Locate underside of new hinge side of door. Replace door stop with Phillips screws.
- Install hinge trim\* by locating notches on the inside of trim (make sure plastic tab insert is facing bottom of door). Align notches of trim with metal mounting tabs on opposite side of door. Slide trim down until piece locks into place. Tap top of trim with rubber mallet to insure snug fit.

\* In stainless steel models, replace trim with alternate trim shipped with unit.

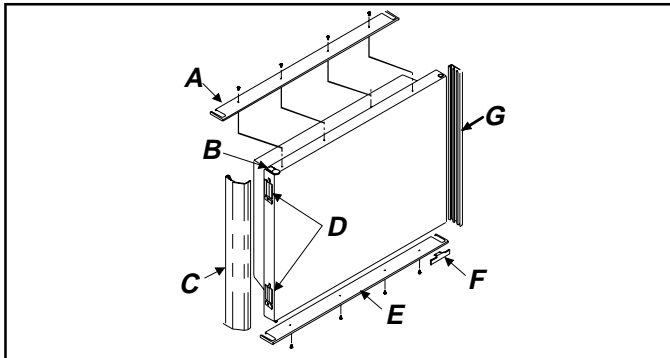
- Reinstall handle by locating notches on inside of handle trim. Slide handle down until handle locks into place. Tap top of handle with rubber mallet to insure snug fit. End of trim should be flush with top of door.



A Trim B Refrigerator handle  
C Mounting tabs

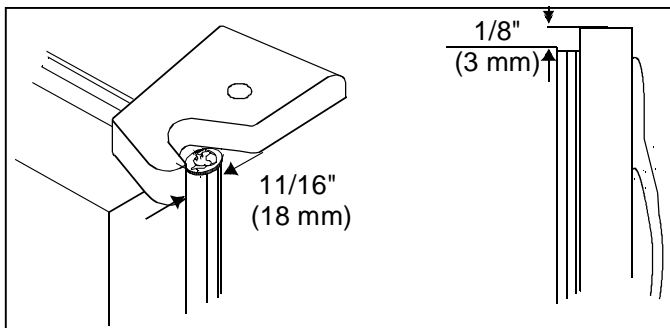
- Fasten top door cap securely over top of door and replace screws.
- Remove top door cap of freezer by removing 4 T-15 Torx screws from top of freezer door
- **Verify that internal support rod has been moved to new hinge side of door.**
- Move hinge plug on top of door to new handle side of door.
- To reverse freezer handle and trim, follow step 5.

**Note:** Trim is not rotated 180°. Freezer trim does not have plastic tab or alternate trim for stainless steel models.



- |                      |                   |
|----------------------|-------------------|
| A Top door cap       | E Bottom door cap |
| B Freezer hinge plug | F Door stop       |
| C Handle             | G Trim            |
| D Mounting tabs      |                   |

- Replace top door cap with Torx-head driver.
6. Replace doors.
- Rehang freezer door by setting freezer door hinge hole on bottom hinge pin.
  - Install center hinge pin in center hinge bracket with hex nut driver. Place center hinge door closure on center hinge pin.
  - Locate 3 plugs at top of cabinet. Transfer plugs to holes left by hinge removal.
  - Locate new top hinge found in literature assembly. Install top hinge on opposite side of refrigerator cabinet with shims from discarded hinge. Install rear screws loosely with a  $\frac{5}{16}$ " hex nut driver. Set refrigerator door on center hinge door closure. Install remaining screw and secure in place with Phillips driver. Install new hinge cover and screw in place with screw from previous hinge cover removal.
  - Use a dime to space door  $\frac{11}{16}$ " (18 mm) from cabinet. Use plastic shims behind center hinge to provide more space if required.
  - Handle side of door should be approximately  $\frac{1}{8}$ " (3 mm) higher than hinge side of door. **Door will become level when it is loaded with food.**



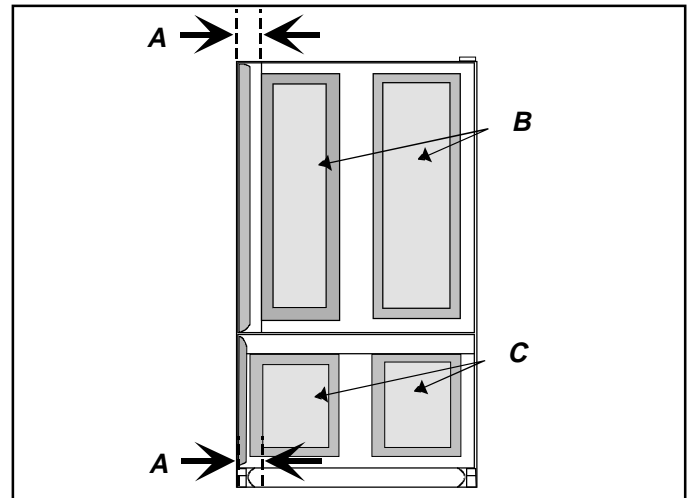
7. Check unit for proper leveling following instructions in section titled *Leveling Refrigerator*, starting with step three.

## Install Decorator Panels (some models)

### **WARNING**

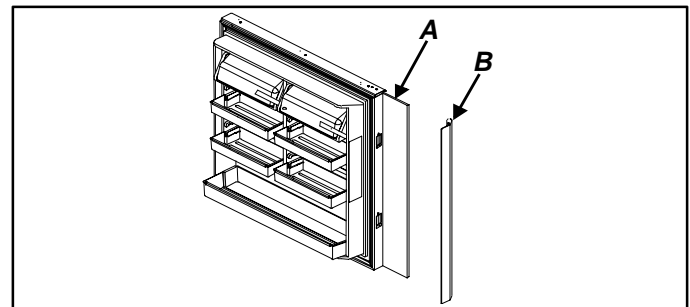
To avoid personal injury or property damage, fresh food panel should not weigh more than 30 lbs (14 kgs) and freezer panel should not weigh more than 15 lbs (7 kgs).

If raised panels are used, allow 2½" minimum clearance between raised edge of panel and refrigerator handle.



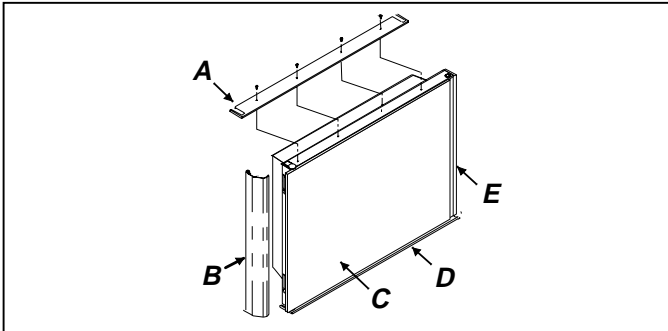
- A 2½" clearance from raised panel edge to edge of door.
- B Raised panel—41" x 35  $\frac{5}{8}$ " (104 cm x 90.5 cm)
- C Raise panel—23  $\frac{11}{16}$ " x 35  $\frac{5}{8}$ " (60.2 cm x 90.5 cm)

1. Remove top door cap and handle of refrigerator door. Slide panel into groove provided by bottom door cap. When replacing handle, press panel flat against door and slide handle down so that overlapping edge of handle slides over panel to secure it. Replace door cap.



- A Refrigerator door panel
  - B Refrigerator handle
2. Open door 90° and unscrew freezer top door cap. Close door. Slide trim forward until free from door. Open door. Remove door handle per step 5.

- Slide panel into groove provided by bottom door cap. When replacing handle, press panel flat against door and slide handle down so that overlapping edge of handle slides over panel to secure it. Replace door cap and screws.



A Top door cap  
B Handle  
C Panel  
D Bottom door cap  
E Trim

- Review *Installation Checklist*.

### Connect Ice Maker Water Supply Line (some models)



#### WARNING

To avoid electrical shock which can cause severe personal injury or death, disconnect power to refrigerator before connecting water supply. After connecting water supply, connect power.



#### CAUTION

Observe the following to avoid property damage:

- Make sure water pressure to water valve is between 20 and 100 pounds per square inch.
- Tighten adapter fitting and nuts with pliers and wrenches. Do not overtighten.
- Check for water leaks and correct if necessary before returning refrigerator to normal location. After 24 hours check again for leaks.

#### Important

- Before connecting water supply, contact a plumber to connect copper tubing to household plumbing in compliance with local codes and ordinances.
- Amana does not recommend using a self-piercing, or  $\frac{3}{16}$ " saddle valves! Both reduce water flow, become plugged with sediment over time and may cause leaks if repair is attempted. The correct type of shut-off valve requires a  $\frac{1}{4}$ " hole to be drilled in the water supply pipe prior to valve attachment. Amana is not responsible for property damage caused by improper water connection.

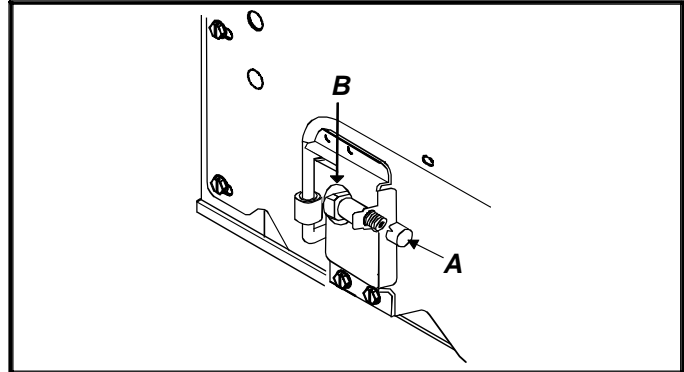
#### Materials Required

$\frac{1}{4}$ " O.D. (6 mm) flexible copper tubing is required. Length of copper tubing must reach from water supply connection to water valve inlet port on back of refrigerator, plus additional 8'(2 m) of tubing for a service

loop. A service loop will allow refrigerator to be pulled away from the wall without disconnecting tubing.

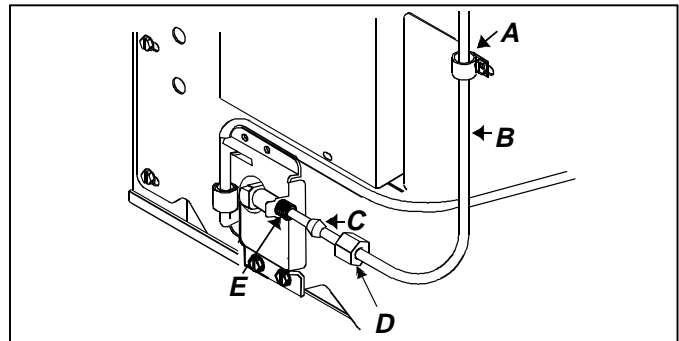
#### Procedure

- Remove plastic cap from water valve inlet port.



A Plastic cap  
B Water valve inlet port

- Place brass nut and brass sleeve on copper tubing. (Brass nut and sleeve are found in your literature packet.) Insert copper tubing into water valve inlet port. Connect brass nut on copper tubing to water valve inlet port. Make sure copper tubing is secure by pulling on copper tubing.



A "P" clamp  
B Copper tubing  
C Brass sleeve  
D Brass nut  
E Water valve inlet port

- Turn on water supply to refrigerator and check for leaks. Correct any leaks at connection. Be careful not to overtighten connection.
- Create a service loop using extreme care to avoid kinks. Secure copper tubing to refrigerator cabinet with a "P" clamp.



## CAUTION

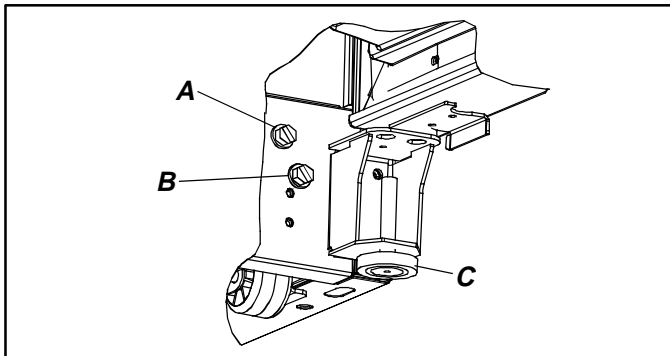
To avoid property damage, protect soft vinyl or other flooring with cardboard, rugs, or other protective material when moving refrigerator.

### Leveling Refrigerator

Some installation may require door reversal to achieve full door swing. If so proceed to *Door Reversal* section before leveling your refrigerator.

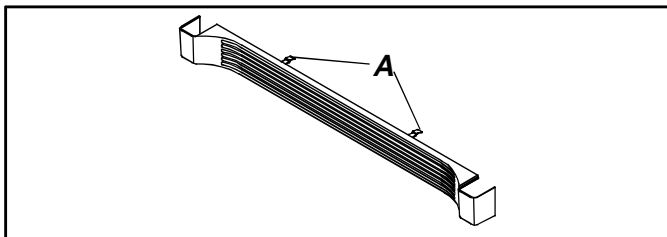
If your refrigerator requires ice maker water supply connection, proceed to *Connect Ice Maker Water Supply* section before leveling refrigerator.

1. Plug in power cord.
2. Move refrigerator into final location.
3. Level refrigerator using a level placed on top of the refrigerator.
  - Remove toe grille by grasping both ends and pulling straight out from unit. Grille snaps free.
  - The left and right corners of front cabinet base each contain 2 screws to allow individual adjustment of all four corners. Adjust the front and rear of each corner until leveling is complete.



A Rear roller adjustment      C Stabilizing leg\*  
B Front roller adjustment      \*some models

- Turn roller adjustment screws to the right to raise cabinet, or to the left to lower cabinet. Front of refrigerator must be  $\frac{1}{4}$ " (6 mm), or  $\frac{1}{2}$  bubble on your level, higher than the back of your refrigerator.
- After leveling, turn stabilizing leg (some models) to the right until firmly against floor.
- Locate metal clips mounted to inside of toe grille assembly. Hook bottom set of clips inside metal molding beneath freezer. Press forward on upper part of grille until top portion snaps into place.



A Metal clips

# Installation Checklist

---

This checklist is for personal records only.

Consumer	Installer	
----------	-----------	--

<input type="checkbox"/>	<input type="checkbox"/>	
--------------------------	--------------------------	--

<input type="checkbox"/>	<input type="checkbox"/>	
--------------------------	--------------------------	--

<input type="checkbox"/>	<input type="checkbox"/>	
--------------------------	--------------------------	--

<input type="checkbox"/>	<input type="checkbox"/>	
--------------------------	--------------------------	--

<input type="checkbox"/>	<input type="checkbox"/>	
--------------------------	--------------------------	--

<input type="checkbox"/>	<input type="checkbox"/>	
--------------------------	--------------------------	--

<input type="checkbox"/>	<input type="checkbox"/>	
--------------------------	--------------------------	--

<input type="checkbox"/>	<input type="checkbox"/>	
--------------------------	--------------------------	--

<input type="checkbox"/>	<input type="checkbox"/>	
--------------------------	--------------------------	--

<input type="checkbox"/>	<input type="checkbox"/>	
--------------------------	--------------------------	--

## Doors

Handles are solidly attached to doors.

Handle side of door is 1/8" (3 mm) higher than hinge side of door. (Door lowers when loaded with food.)

Doors seal completely to refrigerator cabinet.

## Leveling

Refrigerator is tilted 1/4" (6 mm) from front to rear.

Stabilizing legs are against floor.

Toe grille is properly attached to refrigerator.

## Ice Maker (some models)

Water supply to refrigerator is turned on.

Water leaks are not present at connection between household water supply and refrigerator. (After 24 hours, consumer should check connection for water leaks.)

Ice maker arm is down for ice production. (It may take up to 24 hours for first harvest of ice.)

## Product Literature

Owner's manual is reviewed including the following information:

- product registration card
- Fresh Food and Deepfreeze® controls
- humidity controlled crisper drawer
- temperature controlled drawer
- normal operating sounds

Notes \_\_\_\_\_

\_\_\_\_\_

\_\_\_\_\_

\_\_\_\_\_

\_\_\_\_\_  
Consumer's Signature

\_\_\_\_\_  
Installer's Signature

\_\_\_\_\_  
Installer's Company Name/Phone Number

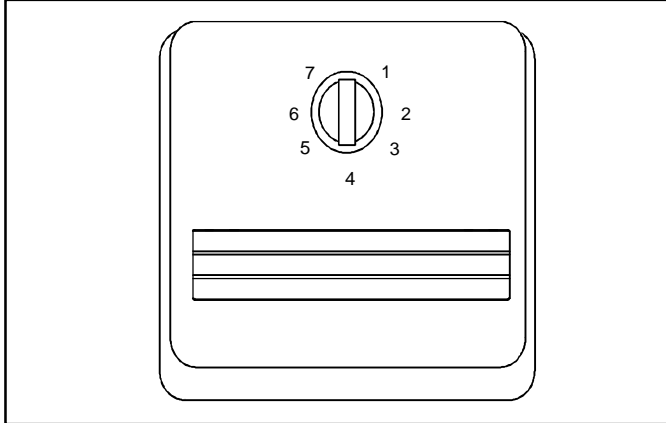
\_\_\_\_\_  
Date

## Controls

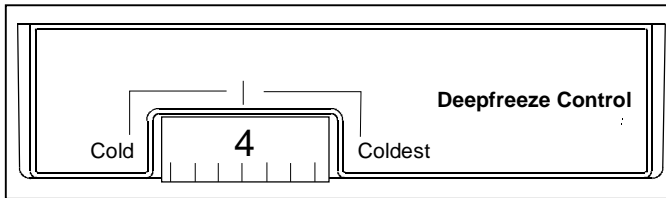
This refrigerator operates most efficiently in normal household temperatures of 55° to 110°F (13°C to 43°C).

### Fresh Food and Deepfreeze® Controls

Fresh Food control is located on upper rear wall of Fresh Food section.



Deepfreeze® control is located on right front ceiling of Deepfreeze® section.



When Deepfreeze® control is set to *OFF*, neither Fresh Food nor Deepfreeze® sections will cool. Initially, set both controls to 4. Wait 24 hours for Fresh Food and Deepfreeze® sections to reach desired temperatures. After 24 hours, adjust controls, one number at a time, as desired. 1 is warmest setting and 7 is coldest.

### Setting Controls

Set controls precisely using a household thermometer that includes temperatures between -5° to 50°F (-21° to 10°C).

Put thermometer snugly between frozen packages in Deepfreeze® section. Wait 5–8 hours. If Deepfreeze® temperature is not 0° to 2°F (-17° to -16°C), adjust control, one number at a time. Check again after 5–8 hours.

Put thermometer in a glass of water in middle of Fresh Food section. Wait 5–8 hours. If Fresh Food temperature is not 38° to 40°F (3° to 4°C), adjust control, one number at a time. Check again after 5–8 hours.

### Fresh Food Features



### CAUTION

To avoid property damage, confirm shelf is secure before placing items on shelf.

### Spillsaver™ Shelves

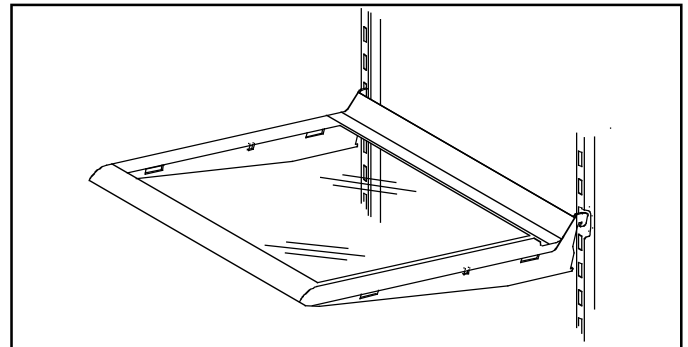
Spillsaver™ shelves adjust to meet individual storage needs and hold simple spills for easier cleaning.



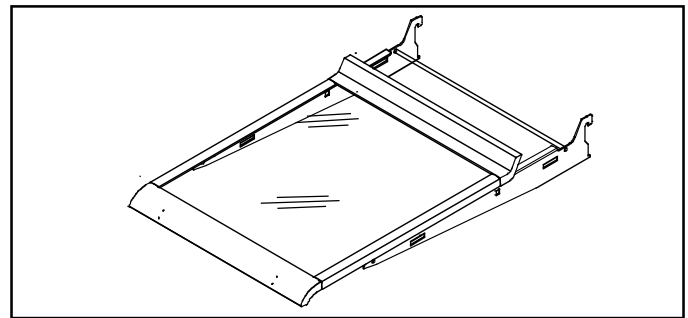
### CAUTION

To avoid personal injury or property damage, handle tempered glass shelves carefully. Shelves may break suddenly if nicked, scratched, or exposed to sudden temperature change.

- Remove shelves by lifting front, releasing hooks from metal track then pulling out.
- Replace shelves by inserting hooks into metal track and lowering front.



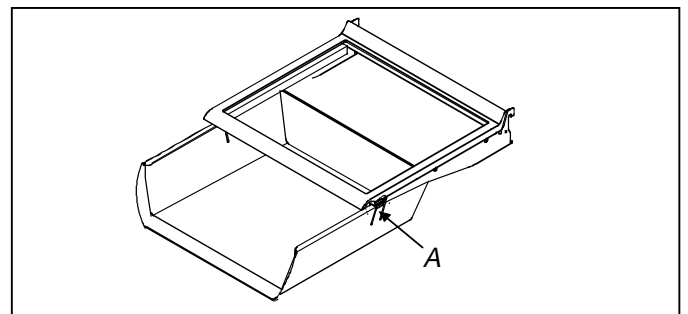
EasyGlide™ shelves pull forward for easy access of items in back.



### Deli Port™

Deli Port™ provides space saving storage underneath Spillsaver™ shelf and pulls forward for easy access.

- Remove shelf by pulling forward until shelf stops. Push tabs on sides of shelf in and pull shelf forward.
- Replace shelf by inserting shelf into track and sliding back.



A Tab

## Drawers

### Humidity Controlled Crisper Drawer

The right drawer is humidity controlled. This drawer keeps produce fresh longer. Wrap produce tightly. Do not wash produce before placing in drawer. Excess moisture could cause produce to spoil prematurely. Do not line drawer with paper towels. Paper towels will retain moisture. Humidity control is located below front shelf trim. Control adjusts humidity in drawer. Slide control to right for produce with leaves such as lettuce, spinach or cabbage. Slide control to left for produce with skins such as cauliflower, corn or tomatoes.

### Temperature Controlled Drawer

The left drawer is temperature controlled. This drawer keeps food fresh longer and up to 5°F (3°C) colder than Fresh Food temperature. Use this drawer for deli storage or additional produce storage.

Temperature control is located below front shelf trim. Control adjusts amount of air circulating around drawer. Slide control left for normal Fresh Food temperature and right for colder temperature. Ice crystals may form on drawer or food on coldest setting. Cold air can decrease Fresh Food temperature. Fresh Food control may need to be adjusted.

Remove shelf and drawers by completing the following steps.

1. Open left\* drawer.  
\*For doors hinged on left, open right drawer.



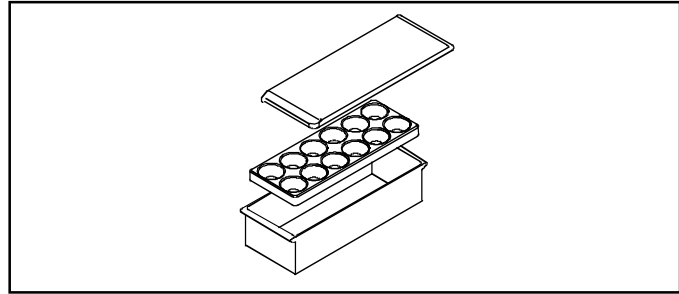
## CAUTION

To avoid personal injury or property damage, handle tempered glass shelves carefully. Shelves may break suddenly if nicked, scratched, or exposed to sudden temperature change.

2. Remove shelf by gently pushing up from underneath. Tilt one end up then pull out.
3. Remove left\* drawer by lifting front while supporting underneath then pulling out.  
\*For doors hinged on left, remove right drawer.
4. Remove support post at recess in bottom center of Fresh Food section by lifting.
5. Remove other crisper by sliding to opposite wall. Lift front while supporting underneath then pull out.
6. Replace drawers and shelf by reversing steps 1–5.

## Covered Storage Bucket

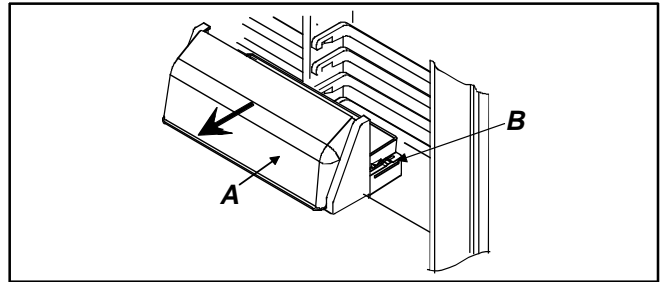
Storage bucket has a lid and removable egg tray. When tray is removed, bucket will accept items such as a standard egg carton, ice, etc.



## Dairy Centers

Dairy centers provide convenient storage for items such as butter, cheese, etc.

- Remove dairy centers by lifting door, pushing tabs toward center and pulling out.
- Replace dairy centers by sliding in until tabs lock into place and lowering door.



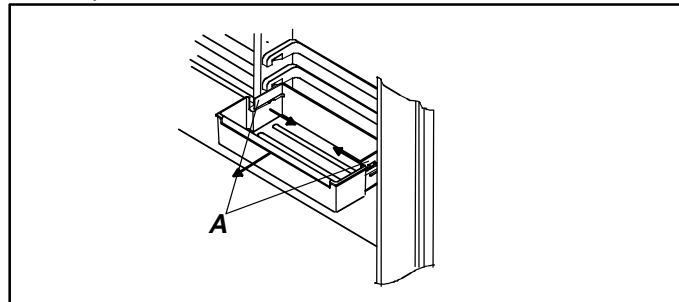
A Door

B Tab

## Door Buckets

Door buckets adjust to meet individual storage needs.

- Remove door buckets by pushing tabs toward center and pulling out.
- Replace door buckets by sliding in until tabs lock into place.

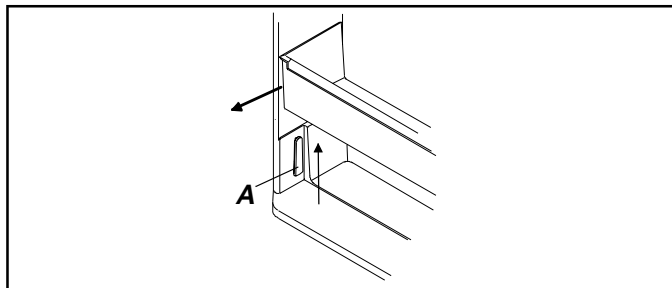


A Tabs

## Deepfreeze™ Features

### Door Shelf

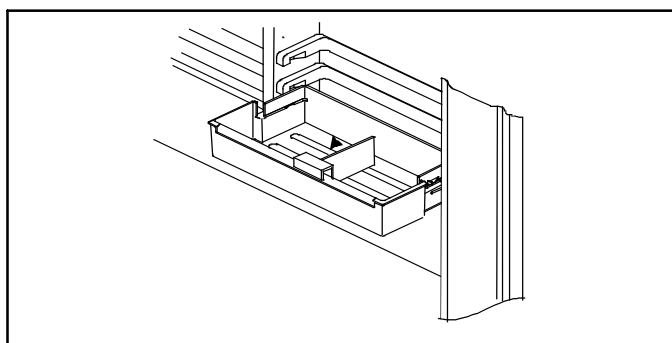
- Remove door shelf by lifting ends and pulling out.
- Replace door shelf by placing shelf on glides and sliding down.



A Glide

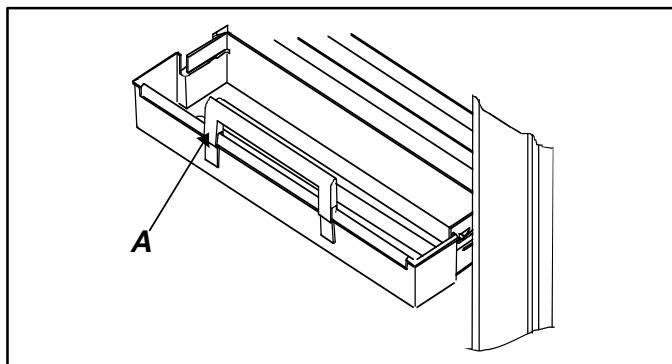
### Adjustable Dividers

Adjustable dividers keep items in place and adjust to meet individual storage needs. Divider fits in any Fresh Food door bucket or door shelf.



### Tall Package Retainer

Tall package retainer keeps tall items secure. Retainer fits in any Fresh Food door bucket or door shelf.



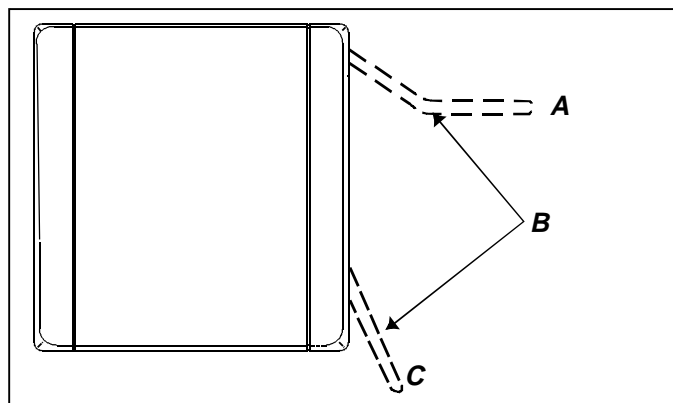
A Tabs

### Frost-Free System

The fresh food and freezer sections are completely frost-free. Defrosting is automatic under normal conditions. Fresh food and freezer sections never have to be defrosted.

### Automatic Ice Maker (some models)

- Make sure ice bucket is in place and ice maker arm is down.



A Off position

B Ice maker arm

C On position

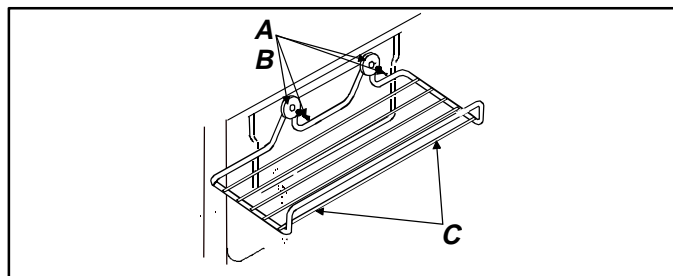
- After freezer section reaches normal temperature, the ice maker fills with water and begins operating. Allow 24–48 hours after installation before first harvest of ice. Ice maker produces 7 to 9 harvests of ice in a 24-hour period under ideal conditions.
- After ice is formed, ice maker drops ice cubes into ice storage bucket. During ice production, ice maker arm raises and lowers. When ice storage bucket is full, ice maker arm turns ice maker off.

**Note:** Discard first 3 harvests of ice so any impurities left in the water line after installation are not consumed.

- If you wish to stop automatic ice production lift ice maker arm. A definite click is heard when proper position is reached. Ice maker arm will remain in that position until pushed down.

### Ice Service Rack (some models)

Install ice service rack by placing ice service rack on washers and sliding down.



A Washer

B Screws

C Ice service rack

## Care and Cleaning

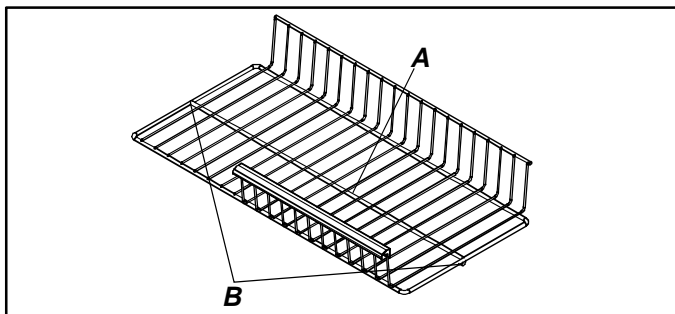
### CAUTION

Make sure shelf is secure before placing items on shelf to avoid property damage.

#### Slideout Shelf (some models)

Slide out shelf pulls forward for easy access to items in back.

- Remove slideout shelf by sliding forward until ball point beneath center rail catches in molding groove.
- Grasp shelf by center rail, pull up, and remove.
- Slide in until ball point falls into molding groove.



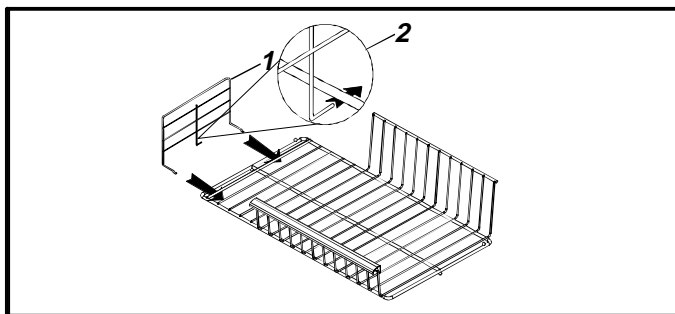
A Central rail

B Ball

#### Vertical Shelf Divider (some models)

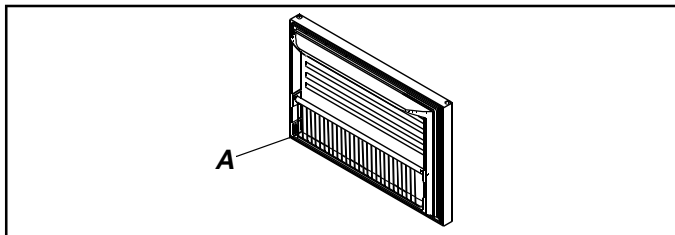
Install vertical shelf divider by completing the following steps:

1. Slide prongs of shelf divider beneath desired grill work, slightly off-center from center rail.
2. Press top of divider down and slide hook assembly beneath center rail.



#### Pivot Bin™

Pivot Bin™ provides convenient storage for frozen food items in Deepfreeze® door and tilts forward for easy access of those items.



A Pivot Bin™

### WARNING

To avoid electrical shock which can cause severe personal injury or death, disconnect power to refrigerator before cleaning. After cleaning, connect power.

### CAUTION

To avoid personal injury or property damage, read and follow all cleaning product manufacturer's directions.

#### Textured Doors and Exterior

1. Wash surfaces with 4 tablespoons baking soda dissolved in 1 quart warm water and a soft, clean cloth.
2. Rinse surfaces with warm water. Dry surfaces with a soft, clean cloth.
  - Do not use the following items:
    - abrasive or harsh cleaners, ammonia, chlorine bleach, etc.
    - concentrated detergents or solvents
    - metal scouring padsThese items can scratch, crack and discolor surfaces.
  - Do not place buckets, shelves, etc. in dishwasher.

#### Stainless Steel Cleaning

**Damage to stainless steel finish due to improper use of cleaning products, or using non-recommended cleaning products, is not covered under warranty.**

For Amana recommended products, call our Consumer Affairs division at **1(800) 843-0304**, or contact us on the web at [www.amana.com](http://www.amana.com).

1. Wash surfaces with warm soapy water and a soft, clean cloth or sponge.
2. Rinse surfaces with warm water. Dry surfaces with a soft, clean cloth.
  - Do not use the following harsh cleaners:
    - abrasive or acidic cleaners (ammonia, chlorine bleach, vinegar-based product, etc.)
    - citrus-based cleaners
    - scouring pads (metal, textured plastic, etc.)These items can scratch, discolor, or permanently tarnish surfaces.
3. Follow up rinsing by immediately drying with a soft, clean cloth. This will avoid water spotting on stainless steel finish.

#### Odor Removal

1. Remove all food.
2. Clean all interior surfaces including ceiling, floor, and walls according to *General* instructions. Pay special attention to corners, crevices, and grooves. Include all drawers, shelves, and gaskets.
3. Wash and dry all bottles, containers and jars before returning food to refrigerator. Wrap foods in tightly sealed containers to prevent further odor. After 24 hours, check if odor was eliminated.

Complete the following steps if odor was not eliminated.

- Complete steps 1–2.
- Place garden fresh crispers on top shelf of Fresh Food section. Pack Fresh Food and Deepfreeze® sections, including doors, with crumpled sheets of black and white newspaper.
- Place charcoal briquettes randomly throughout newspaper.
- Close doors and let stand 24–48 hours.
- Remove charcoal briquettes and newspapers.
- Complete steps 2–3.

Contact Consumer Affairs Department if odor was still not eliminated.

### Adhesives

- Remove glue residue by rubbing toothpaste into adhesive with fingers until adhesive loosens.
- Rinse surface with warm water. Dry surface with a soft, clean cloth.

### Door Gaskets

- Clean door gaskets as necessary according to *General* instructions. Gaskets must be kept clean and pliable to assure proper seal.
- Apply a light film of petroleum jelly on hinge side of gasket to keep gaskets pliable.

### Condenser Coils

Clean condenser coil every 3 months to ensure maximum performance of refrigerator. Accumulated dust and lint may cause the following:

- reduced cooling performance
  - increased energy usage
  - premature part failure
- Remove toe grille by holding ends and pulling forward.
  - Clean front surface of condenser coil with a vacuum cleaner hose nozzle.
  - Replace toe grille by inserting clips in holes and snapping in.

### Glass Shelves

#### CAUTION

To avoid personal injury or property damage, handle tempered glass shelves carefully. Shelves may break suddenly if nicked, scratched, or exposed to sudden temperature change.

Remove shelf by lifting front, releasing hooks from metal track then pulling out. Place shelf on a towel. Allow shelf to adjust to room temperature before cleaning.

Clean crevices by completing the following steps:

- Dilute mild detergent and brush solution into crevices using a plastic bristle brush. Let set for 5 minutes.
- Spray warm water into crevices using faucet spray attachment.
- Dry shelf thoroughly and replace shelf by inserting hooks into metal track and lowering front.

### Light Bulbs

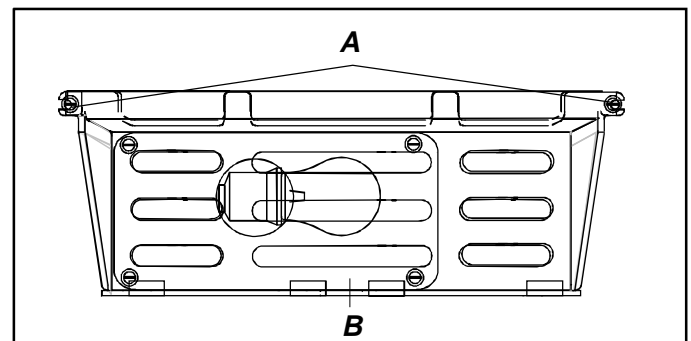
#### WARNING

To avoid electrical shock which can cause severe personal injury or death, disconnect power to refrigerator before replacing light bulb. After replacing light bulb, connect power.

#### CAUTION

To avoid personal injury or property damage, observe the following:

- Allow light bulb to cool.
  - Wear gloves when replacing light bulb.
- Remove light bulb cover by removing ¼" hex nut screws. **Replace with appliance bulb no greater than 60 watts.**
  - Replace light bulb cover by replacing ¼" hex nut screws.



A ¼" hex nut screws

B Light bulb cover

### Energy Tips

This refrigerator is designed to be one of the most energy efficient refrigerators available. Reduce energy use by observing the following.

- Operate in normal household temperatures of 55° to 110°F (13°C to 43°C) away from heat sources and direct sunlight.
- Set Fresh Food, Deepfreeze®, and drawer controls no colder than necessary.
- Keep Deepfreeze® section full.
- Keep door gaskets clean and pliable. Replace gaskets if worn.
- Keep condenser coils clean.

## Vacation Tips

Complete the following steps for short vacations.

1. Remove perishable foods. **Warranty does not cover food loss.** Check warranty certificate for specific coverage.
2. If an ice maker is installed, move ice maker arm to off position.

Complete the following steps for long vacations.

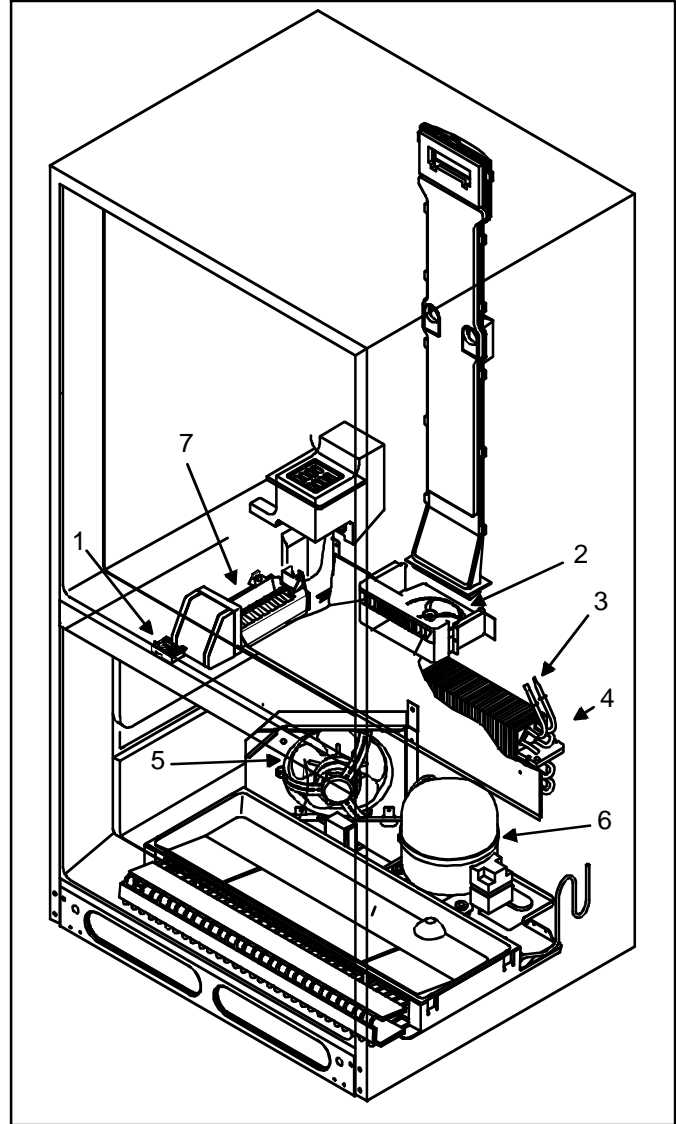
1. Empty Fresh Food and Deepfreeze® sections.
2. Unplug refrigerator.
3. Clean refrigerator and door gaskets according to *General instructions in Care and Cleaning section.*
4. Prop doors open, so air can circulate inside.
5. If an ice maker is installed, turn water supply to refrigerator off and move ice maker arm to off position.

## Normal Operating Sounds

This new refrigerator may be replacing a differently designed, less efficient or smaller refrigerator. Today's refrigerators have new features and are more energy efficient. As a result, certain sounds may be unfamiliar. These sounds are normal and will soon become familiar. These sounds also indicate refrigerator is operating and performing as designed.

1. **Deepfreeze® control** clicks when starting or stopping compressor.
2. **Deepfreeze® fan** air rushes and whirs.
3. **Sealed system** (evaporator and heat exchanger) refrigerant flow gurgles, pops or sounds like boiling water.
4. **Defrost heater** sizzles, hisses or pops.
5. **Condenser fan** air rushes and whirs.
6. **Compressor** has a high pitched hum or pulsating sound.
7. **Ice cubes** from ice maker (some models) drop into ice bucket.
8. **Ice maker water valve hookup** (some models) buzzes when ice maker fills with water. This occurs whether or not refrigerator is connected to water supply. If refrigerator is not connected to water supply, stop sound by raising ice maker arm to off position.

**Note:** Foam insulation is very energy efficient and has excellent insulating capabilities. However, foam insulation is not as sound absorbent as previously used fiberglass insulation.



## Before Calling For Service

Problem	Solution
Refrigerator does not operate.	<ul style="list-style-type: none"> <li>• Confirm Deepfreeze® control is on.</li> <li>• Confirm refrigerator is plugged in.</li> <li>• Check fuse or circuit breaker. Plug in another item at that wall outlet.</li> <li>• Wait 40 minutes to see if refrigerator restarts. If Deepfreeze® control is on, lights work but 2 fans and compressor are not operating, refrigerator may be in defrost cycle.</li> </ul>
Refrigerator still won't operate.	<ul style="list-style-type: none"> <li>• Unplug refrigerator. Transfer food to another unit or place dry ice in Deepfreeze® section to preserve food. <b>Warranty does not cover food loss.</b> Check warranty certificate for specific coverage.</li> <li>• Call <b>1-800-628-5782</b> inside U.S.A. and <b>1-319-622-5511</b> outside U.S.A. to locate an authorized Amana technician.</li> </ul>
Food temperature appears too warm.	<ul style="list-style-type: none"> <li>• See above sections.</li> <li>• Allow time for recently added warm food to reach Fresh Food or Deepfreeze® temperature.</li> <li>• Check gaskets for proper seal.</li> <li>• Clean condenser coils.</li> <li>• Adjust Fresh Food and/or Deepfreeze® control.</li> </ul>
Temperature controlled drawer temperature is too warm.	<ul style="list-style-type: none"> <li>• Slide control to colder setting.</li> <li>• Adjust Deepfreeze® control to colder setting.</li> </ul>
Food temperature is too cold.	<ul style="list-style-type: none"> <li>• Clean condenser coils.</li> <li>• Adjust Fresh Food control.</li> <li>• Adjust Deepfreeze® control to warmer setting. Allow several hours for temperature to adjust.</li> </ul>
Refrigerator runs too frequently.	<ul style="list-style-type: none"> <li>• It may be normal to maintain constant temperature.</li> <li>• Doors may have been opened frequently or for an extended period of time.</li> <li>• Allow time for recently added warm food to reach Fresh Food or Deepfreeze® temperature.</li> <li>• Clean condenser coils.</li> <li>• Adjust Deepfreeze® control.</li> <li>• Check gaskets for proper seal.</li> </ul>
Water droplets form on inside of refrigerator.	<ul style="list-style-type: none"> <li>• It is normal during high humidity periods or if doors have been opened frequently.</li> </ul>
Water droplets form on outside of refrigerator.	<ul style="list-style-type: none"> <li>• Check door gaskets for proper seal.</li> </ul>
Drawers do not close freely.	<ul style="list-style-type: none"> <li>• Check for a package which may prevent drawer from closing properly.</li> <li>• Confirm drawer is in proper position.</li> <li>• Clean drawer channels with warm, soapy water. Rinse and dry thoroughly.</li> <li>• Apply a thin layer of petroleum jelly to drawer channels.</li> <li>• Confirm refrigerator is level.</li> </ul>
Refrigerator has an odor.	<ul style="list-style-type: none"> <li>• See <i>Odor Removal</i> instructions in <i>Care and Cleaning</i> section.</li> </ul>
Refrigerator or ice maker (some models) make unfamiliar sounds or seems too loud.	<ul style="list-style-type: none"> <li>• It may be normal. See <i>Normal Operating Sounds</i> section.</li> </ul>

Problem	Solution
Ice maker (some models) is not producing ice.	<ul style="list-style-type: none"> <li>• Confirm ice maker arm is down.</li> <li>• Confirm household water supply is reaching water valve.</li> <li>• Confirm ice maker wiring harness is completely inserted into proper holes.</li> <li>• Check for kinks in copper or plastic tubing. Remove kinks or replace tubing.</li> <li>• Check electrical connections to water valve coil and connector block on refrigerator cabinet.</li> <li>• Confirm Deepfreeze® section is operating at proper temperature.</li> </ul>
Ice cubes have an odor.	<ul style="list-style-type: none"> <li>• See <i>Odor Removal</i> instructions in <i>Care and Cleaning</i> section.</li> <li>• Discard ice and clean ice bucket or trays more frequently. Ice cubes are porous and absorb odors easily.</li> </ul>
Ice cubes stick together or 'shrink'.	<ul style="list-style-type: none"> <li>• Empty ice cube bucket or trays more frequently. If used infrequently, ice cubes may stick together or shrink.</li> </ul>
Ice forms in inlet tube to ice maker (some models).	<ul style="list-style-type: none"> <li>• Check water pressure. Low water pressure will cause valve to leak. Self-piercing valves cause low water pressure. <b>Amana recommends using a saddle valve. Contact 1-800-843-0304 or an Amana dealer for availability. Do not use self-piercing valve. Amana is not responsible for property damage due to improper installation or water connection.</b></li> </ul>



## Warranty

### **Full One Year Warranty Full Five Year Warranty on Sealed System Components and Food Compartment Liner Limited Ten Year Warranty on Sealed System Components**

#### **First Year**

Amana Appliances will repair or replace, free of charge, any part which is defective due to workmanship or materials.

#### **Second through Fifth Years**

Amana Appliances will repair or replace, free of charge, any sealed system component (compressor, condenser, evaporator and interconnecting tubing) and repair any food compartment liner (exclusive of door liner) which is defective due to workmanship or materials.

#### **Sixth through Tenth Years**

Amana Appliances will replace any sealed system component (compressor, condenser, evaporator and interconnecting tubing), f.o.b. Amana, Iowa, which is defective due to workmanship or materials.

#### **Warranty Limitations**

- Begins at date of original purchase.
- Applies to product used within the United States or in Canada if product has Canadian Standards Association listing when shipped from the factory.
- Service must be performed by an **authorized** Amana technician.

#### **Warranty Is Void If**

- Serial plate is defaced.
- Product is used on a commercial, rental or leased basis.
- Product has defect or damage due to product accident, alteration, connection to an improper electrical supply, fire, flood, lightning, shipping and handling, or other conditions beyond the control of Amana.
- Product is improperly installed or used.

#### **Owner's Responsibilities**

- Provide proof of purchase (sales receipt).
- Provide normal care and maintenance. Replace owner replaceable items where directions appear in Owner's Manual.
- Make product reasonably accessible for service.
- Pay premium service costs for service outside technician's normal business hours.
- Pay for service calls related to product installation.

#### **In no event shall Amana Appliances be liable for incidental or consequential damages including food loss\*.**

\*This warranty gives you specific legal rights and you may have others which vary from state to state. For example, some states do not allow the exclusion or limitation of incidental or consequential damages so this exclusion may not apply to you.

Amana Appliances  
2800 220th Trail  
PO Box 8901  
Amana, IA 52204-0001  
Telephone 1-319-622-5511  
Facsimile 1-319-622-8595



# Contenido

Requerimientos eléctricos .....	21
Identificación del modelo .....	21
Servicio .....	21
Plan de servicio extendido Asure™ .....	21
Forma apropiada de desechar su refrigerador .....	22
Dimensiones de recorte .....	22
Instrucciones de instalación .....	22
Inversión de la puerta	
(modelos de puerta contorneada) .....	22
Inversión de la puerta (asa montada al frente) .....	22
Inversión de la puerta (asa montada de lado) .....	24
Instalación de los paneles decorativos .....	27
Conexión para la línea de suministro de agua	
de la máquina de hielos (en algunos modelos) .....	27
Para nivelar el refrigerador .....	28
Lista de verificación de la instalación .....	30
Controles .....	31
Controles de Alimentos frescos y del	
DeepFreeze® .....	31
Ajuste de los controles .....	31
Características de la sección de Alimentos frescos .....	31
Repisas Spillsaver™ .....	31
Deli Port™ .....	31
Cajones .....	32
Recipiente cubierto para almacenamiento .....	32
Centros para productos lácteos .....	33
Compartimientos de la puerta .....	33
Repisa de la puerta .....	33
Separadores ajustables .....	33
Dispositivo de retención para paquetes altos .....	33
Características del congelador .....	33
Sistema sin escarcha (Frost-Free) .....	33
Máquina de hielo automática (en algunos modelos) .....	33
Rejilla para servicio de hielo .....	34
Repisa deslizable (en algunos modelos) .....	34
Separador vertical derepisa (en algunos modelos) ..	34
Pivot Bin™ .....	35
Cuidado y limpieza .....	35
Puertas y Exterior Texturizados .....	35
Limpieza del acero inoxidable .....	35
Eliminación de olores .....	35
Adhesivos .....	35
Empaques de la puerta .....	35
Serpentines del condensador .....	36
Repisas de vidrio .....	36
Focos .....	36
Sugerencias para conservar energía .....	36
Sugerencias para las vacaciones .....	36
Sonidos normales de funcionamiento .....	37
Antes de llamar para solicitar servicio .....	38
Garantía .....	40

**Nota:** La traducción podría en ocasiones causar variaciones en el significado. En todas las ocasiones cuando suceda esto, el más correcto significado será el de la versión en inglés de este documento.



**Reconozca este símbolo como precaución de seguridad.**

## Requerimientos eléctricos

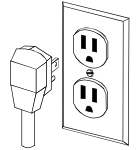


### ADVERTENCIA

Para evitar descargas eléctricas que pueden causar lesiones personales graves o la muerte:

- No corte ni quite le punta de conexión a tierra de la clavija.
- **No utilice un adaptador de dos puntas.**
- **No utilice un cordón de extensión.**
- No quite la etiqueta de advertencia del cordón eléctrico.
- Siga todas las instrucciones de conexión y tierra.

Este refrigerador viene equipado con un enchufe de tres puntas (para conexión a tierra) para proveer protección contra posible riesgos de descargas eléctricas. Si el tomacorrientes de pared tiene sólo dos orificios, haga que un electricista experto reemplace este tomacorrientes de pared de dos orificios por otro de tres orificios correctamente conectado a tierra, de conformidad con el Código Eléctrico Nacional de los E.E. U.U.



Este refrigerador ha sido diseñado para que funcione conectado a una línea separada de 103 a 126 voltios, 15 amperios y 60 ciclos.

## Identificación del modelo

Gracias por haber comprado este refrigerador Amana. Por favor lea todo el manual del propietario. Este manual proporciona información sobre el mantenimiento adecuado. Si tiene alguna pregunta, sírvase llamar al Departamento de asuntos del consumidor al **1-800-843-0304** dentro de los EE.UU. y al **1-319-622-5511** fuera de los EE.UU. o comuníquese con nosotros en Internet en **www.amana.com**.

**Llene la tarjeta de registro** y envíela lo más pronto posible. Si el refrigerador no incluye una tarjeta de registro, llame al Departamento de asuntos al consumidor.

Cuando se comunique con Amana Appliances, proporcione la información del producto. Esta información se encuentra en la placa del número de serie, ubicada en el techo de la sección del refrigerador. Anote la siguiente información:

Número de modelo: \_\_\_\_\_

Número de fabricación: \_\_\_\_\_

Número de serie (S/N): \_\_\_\_\_

Fecha de adquisición: \_\_\_\_\_

Nombre y dirección del distribuidor: \_\_\_\_\_

## Servicio

**Guarde una copia de la factura de venta** para futura referencia o en caso de que necesite un servicio de garantía. Si tiene alguna pregunta o para localizar a un técnico autorizado de servicio, llame al **1-800-NAT-LSVC (1-800-628-5782)** dentro de los EE.UU. o al **319-622-5511** fuera de los EE.UU. fuera de los EE.UU. o comuníquese con nosotros en Internet en **www.amana.com**.

El servicio de garantía debe efectuarlo un técnico autorizado de servicio. Amana recomienda también comunicarse con un técnico de servicio autorizado si necesita servicio después de que caduque la garantía.

## Plan de servicio extendido Asure™

Amana ofrece un servicio de protección a largo plazo para esta nueva estufa. El Plan de servicio extendido Asure™ está diseñado especialmente para complementar la excelente garantía de Amana. Este plan cubre piezas, mano de obra y gastos de transportación. Llame al 1-800-528-2682 o comuníquese con nosotros en Internet en **www.amana.com** para obtener más información.

**Para obtener más información visite nuestro sitio**

**Web: www.amana.com**

## Instrucciones de instalación

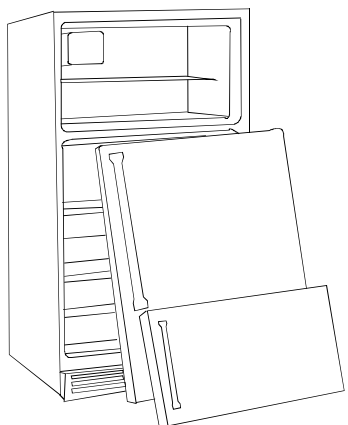
### PELIGRO

#### Forma apropiada de desechar su refrigerador

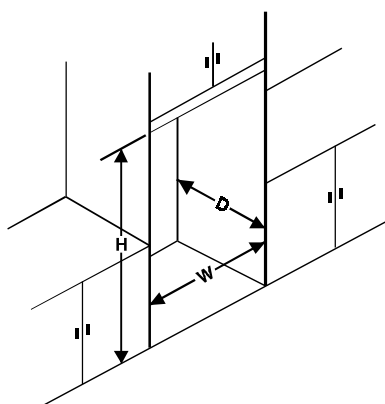
**IMPORTANTE:** Los niños atrapados y asfixiados en refrigeradores no es cosa del pasado. Los refrigeradores que se arrumban o abandonan, aun cuando sea por “sólo unos cuantos días”, continúan siendo un peligro. Si desecha un refrigerador viejo, sírvase seguir las siguientes instrucciones para ayudar a prevenir un accidente.

#### ANTES DE TIRAR SU REFRIGERADOR O CONGELADOR VIEJO:

- Quítele las puertas
- Déjele las repisas puestas para que los niños no puedan meterse fácilmente.



#### Dimensiones de recorte



	Instalacion simple
H	<ul style="list-style-type: none"> <li>• 69" con gabinetes de 12" de profundidad por encima del refrigerador</li> <li>• 70" con gabinetes de 24" de profundidad por encima del refrigerador</li> </ul>
W	36"
D	24"

La instalación correcta del refrigerador asegurará el funcionamiento más eficiente. Amana no se puede hacer responsable de una instalación incorrecta.

#### Aviso de servicio: Solamente para los modelos de puerta contorneada

Esta puerta puede invertirla solamente un técnico calificado de servicio. Para que le inviertan la puerta, llame al 1-800-843-0304. Se aplicará un cargo por este servicio.

#### Herramientas requeridas

Espátula (con la hoja cubierta con cinta adhesiva masking)

Llave para tuercas hexagonales de  $\frac{5}{16}$ "

Llave para tuercas hexagonales de  $\frac{3}{8}$ "

Llave para tuercas hexagonales de  $\frac{1}{4}$ "

Desarmador Phillips

Desarmador Phillips

Algunas instalaciones pueden requerir que las puertas se tengan que invertir para que puedan abrirse completamente. Si es así, ejecute los pasos siguientes:

#### IMPORTANTE:

Guarde todos los tornillos para volver a usarlos.

Cuando se necesite usar una espátula o un desarmador plano para quitar los tapones, **la hoja debe estar cubierta con cinta adhesiva para evitar dañar el acabado del refrigerador.** Para los tapones en los que se use un desarmador o una cabeza tipo desarmador de tuercas, use la herramienta apropiada para evitar dañar los tapones.

### PRECAUCIÓN

Para evitar lesiones personales o daños materiales, las roscas estabilizadoras deben estar colocadas firmemente sobre el piso.

#### Inversión de la puerta (modelo de la puerta contorneada)

Solamente un técnico calificado de servicio puede invertir esta puerta. Para que le inviertan la puerta, llame al 1-800-843-0304. Se aplicará un cargo por este servicio.

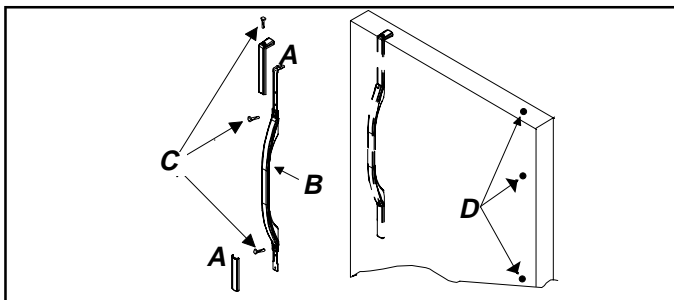
#### Inversión de la puerta (asa montada de frente)

Algunas instalaciones podrían requerir que se invierta la puerta para que ésta pueda abrirse completamente. Para invertir la dirección del giro de la puerta realice los pasos siguientes:

1. Quite el asa de la puerta del refrigerador.

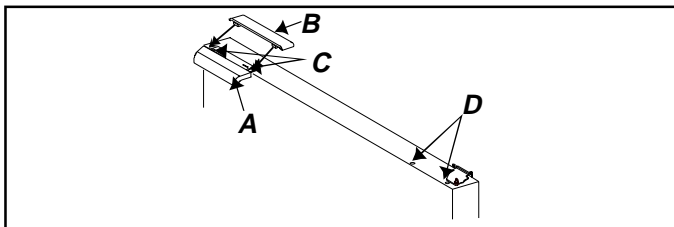
Quite el tornillo del adorno del asa superior. Saque el borde del adorno del asa con una espátula con la hoja cubierta con cinta adhesiva. Retire el asa de la puerta quitando los tornillos de montaje que quedan en cada extremo del asa.

Quite un tapón del lado de la bisagra superior de la puerta y dos del lado de la bisagra delantera de la puerta. Vuelva a colocar los tres tapones en los orificios de montaje desocupados.



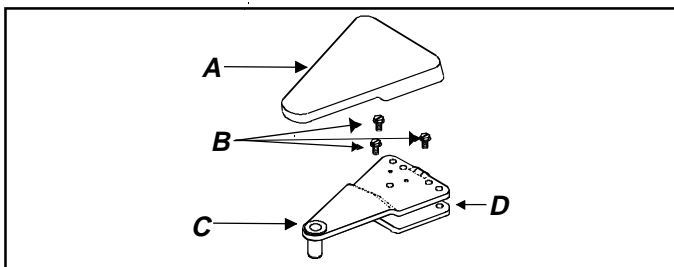
A Adorno del asa                      C Tornillos  
B Asa                                        D Tapones

2. Quite el asa de la puerta del congelador.  
 Abra la puerta del congelador 90°. Encuentre dos mellas en la parte posterior del asa del congelador. Inserte el desarmador plano o la hoja de la espátula cubierta con cinta adhesiva. Saque la parte posterior de la tapa del asa y quitela del asa. Retire el asa de la puerta quitándole dos tornillos de montaje.  
 Quite dos tapones del lado donde está la bisagra de la puerta del congelador y colóquelos en los orificios vacíos.



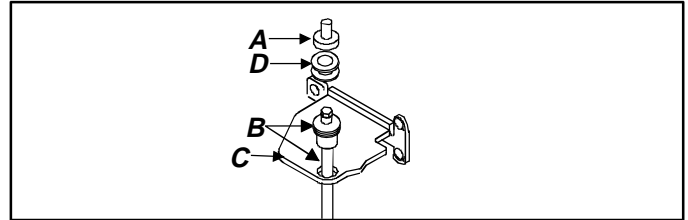
A Asa                                        C Tornillos  
B Tapa del asa                        D Tapón

3. Quite las puertas.  
 • Quite la cubierta de la bisagra superior. La cubierta de la bisagra superior se desprende. Quite la bisagra superior y la cuña de la bisagra con un desarmador hexagonal de tuercas de 5/16". Quite y conserve todas las cuñas.



A Cubierta de la bisagra superior    D Cuñade de la bisagra  
B Tornillos hexagonales de 5/16"    bisagra  
C Bisagra superior

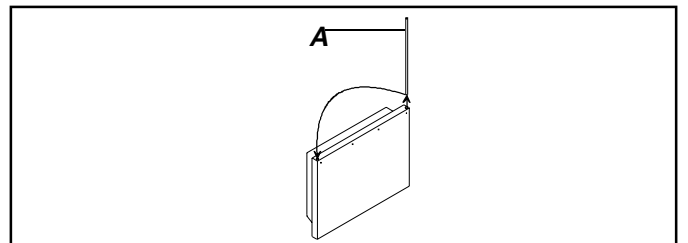
- Quite la puerta del refrigerador levantándola para separarla del pasador de la bisagra central. Inspeccione la puerta para verificar que todas las cuñas tengan el pasador de la bisagra.
- Quite y conserve la articulación de la puerta de la parte superior del pasador de la bisagra central. Quite el pasador de la bisagra central con un desarmador hexagonal de tuercas. Como el pasador debe quedar bien ajustado, necesita presionarlo firmemente. Quítelo y conserve todas las cuñas.



A Articulación de la puerta de    C Bisagra central  
B Ensamble del pasador        D Cuña ronda  
de la bisagra central\*

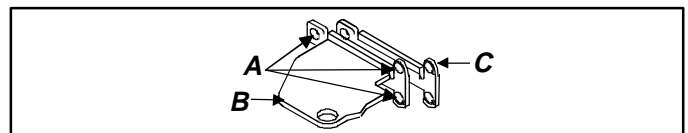
\*Puede venir ensamblada o en piezas separadas

- Quite la puerta del congelador levantándola para separarla de la bisagra inferior de la bisagra inferior. Es posible que una barra interna de apoyo se salga de la cavidad de la bisagra. Quitela de la cavidad de la bisagra y transfírela al lado opuesto de la puerta del congelador.



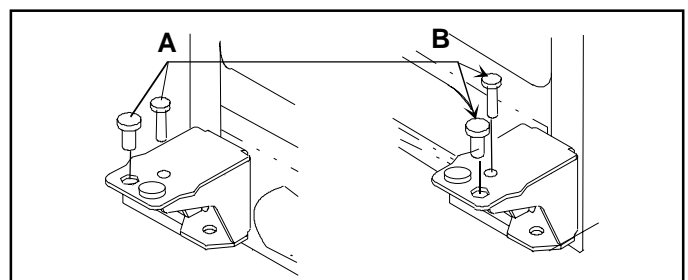
A Barra de apoyo (en algunos modelos)

4. Quite la bisagra central.
- Quite el soporte de la bisagra central y las cuñas de la bisagra con un desarmador Phillips.
  - Quite los tres tornillos opuestos a la bisagra central y transfírelos al lado opuesto del gabinete.
  - Instale el soporte en el lado izquierdo del gabinete con las cuñas.



A Tornillos Phillips                      C Cuña de la bisagra  
B Bisagra central                        central

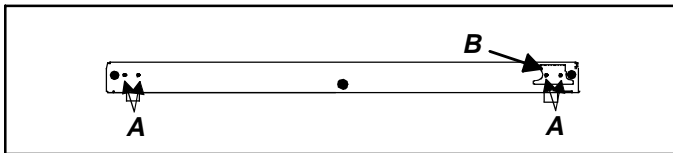
5. Invierta el pasador y la articulación de la bisagra inferior.
- Mueva el pasador de la bisagra inferior y la articulación de la puerta de la bisagra inferior izquierda a la bisagra inferior derecha. Mueva los tapones de plástico de la bisagra inferior izquierda a la bisagra inferior derecha con las pinzas de punta de aguja. Apriete las lengüetas por debajo de la bisagra para quitarla.



A Lado izquierdo                        B Lado derecho

6. Invierta los topes de la puerta.

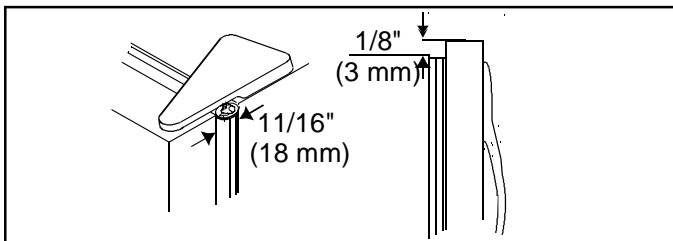
- Ubique el tope de la puerta en el borde inferior de la puerta del refrigerador. Desatornille dos tornillos Phillips para quitar el tope de la puerta. Quite los dos tornillos Phillips del borde opuesto de la puerta. Monte los topes de la puerta en el lado opuesto. Vuelva a colocar los tornillos en los orificios de montaje vacíos.
- Repita las instrucciones previas para invertir el tope de la puerta en la puerta del congelador.



A Tornillos B Tope de la puerta

7. Vuelva a colocar las puertas.

- Vuelva a colgar la puerta del congelador colocando el orificio de la bisagra de la puerta izquierda del congelador en el pasador de la bisagra izquierda inferior. Instale el pasador de la bisagra central en el soporte de la bisagra central con un desarmador hexagonal. Coloque la articulación de la puerta de la bisagra central en el pasador de la bisagra central.
- Ubique los tres tapones en la parte superior del gabinete. Transfiera los tapones a los orificios que quedaron libres al quitar la bisagra.
- Vuelva a colocar la bisagra superior en el lado opuesto del gabinete del refrigerador instalando los tornillos posteriores con un desarmador hexagonal de  $\frac{5}{16}$ " de diámetro, deje flojos los tornillos. Coloque la puerta del refrigerador en la articulación de la puerta de la bisagra central. Instale el tornillo que queda y apriete todos los tornillos. Trabe la cubierta de la bisagra.
- Use una moneda pequeña para espaciar la puerta  $\frac{11}{16}$ " (18 mm) del gabinete. Use cuñas de plástico detrás de la bisagra central para proporcionar más espacio si fuera necesario.
- El lado del asa de la puerta debe estar aproximadamente  $\frac{1}{8}$ " (3 mm) más alto que el lado de la bisagra. **La puerta se nivelará cuando se llene con alimentos.**



8. Vuelva a instalar las asas.

- Monte el asa del refrigerador en el lado opuesto de la puerta con los tornillos de montaje que se quitaron en el paso anterior.
- Coloque el adorno del asa en su lugar y vuelva a colocar el tornillo.
- Monte el asa del congelador en el lado opuesto de la puerta con los tornillos de montaje que se quitaron en el paso anterior.

- Coloque en ángulo el borde delantero del asa hacia abajo en dirección al labio posterior del asa del congelador. Verifique que la lengüeta inferior en la tapa del congelador se deslice por debajo del labio posterior del asa del congelador. Coloque el borde posterior de la tapa del asa en su lugar.
9. Revise que la unidad esté apropiadamente nivelada siguiendo las instrucciones en la sección titulada *Nivelación del refrigerador*, comenzando con el paso tres.

## Inversión de la puerta (asas montadas en los lados)\*

\*Solamente las puertas sin contorno

### Herramientas necesarias

Desarmadores Phillips #1 y #2

Desarmador plano

Mazo de hule

Desarmador hexagonal de tuercas de  $\frac{1}{4}$ "

Desarmador hexagonal de tuercas de  $\frac{3}{8}$ "

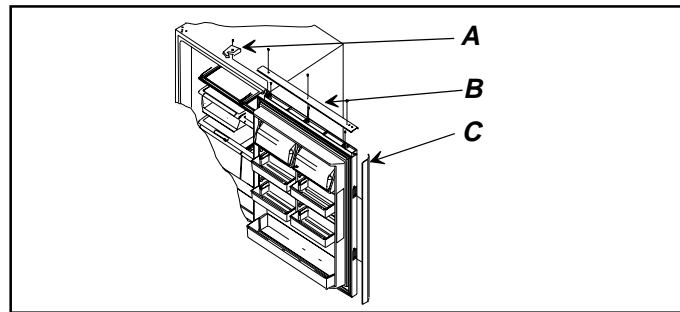
Desarmador hexagonal de tuercas de  $\frac{5}{8}$ "

Desarmador hexagonal de tuercas de  $\frac{9}{32}$ "

Desarmador de cabeza Torx T-15

### IMPORTANTE:

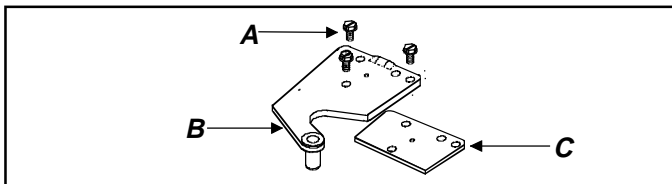
- Conserve todas las partes desechadas con el paquete de información.
  - Conserve todos los tornillos para volver a usarlos.
  - Cuando se necesite usar una espátula o un desarmador plano para quitar los tapones, **la hoja debe estar cubierta con cinta adhesiva para evitar dañar el acabado del refrigerador**. Para los tapones en los que se use un desarmador o una cabeza tipo desarmador de tuercas, use la herramienta apropiada para evitar dañar los tapones.
1. Quite el tapón de la puerta y la cubierta de la bisagra superior del refrigerador.
- Quite tres tornillos Phillips para soltar el tapón de la puerta superior.
  - Quite la cubierta de la bisagra desatornillando un tornillo Phillips.



A Cubierta de la bisagra C Asa

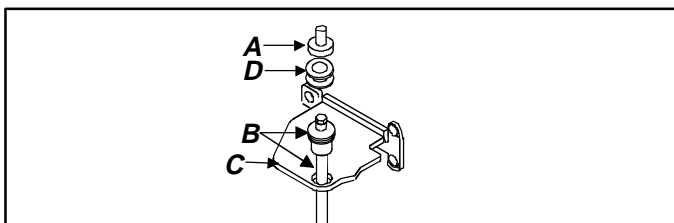
B Tapón de la puerta

- Use un desarmador hexagonal de tuercas de  $\frac{5}{16}$ " para quitar los tornillos de la bisagra superior. Quite y conserve todas las cuñas.



A Tornillos de  $\frac{5}{16}$ " (8 mm) C Cuñas de la bisagra superior  
 B Bisagra superior

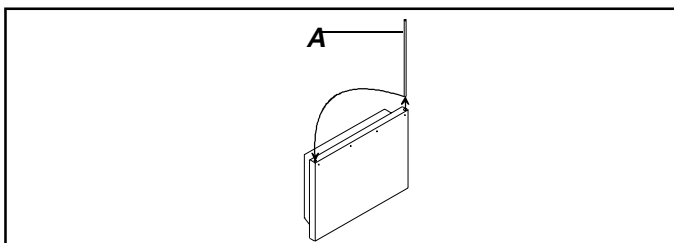
- Quite la puerta del refrigerador levantándola para separarla del pasador de la bisagra. Inspeccione la puerta para verificar que todas las cuñas tengan el pasador de la bisagra.
- Quite y conserve la articulación de la puerta de la bisagra central. Quite el pasador de la bisagra central con un desarmador hexagonal para tuercas de  $\frac{1}{4}$ ". Como el pasador debe quedar bien ajustado, necesita presionarlo firmemente. Quite y conserve todas las cuñas.



A Articulación de la puerta C Bisagra central  
 B Ensamble del pasador de la bisagra central\* D Cuñas redondas

\* El pasador de la bisagra podría venir ensamblado o en piezas separadas

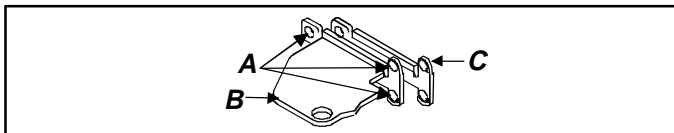
- Quite la puerta del congelador levantándola para separarla de la bisagra inferior. Una barra interna de apoyo (en algunos modelos) podría deslizarse hacia afuera de la cavidad de la bisagra. Quitela de la cavidad de la bisagra y transfírala al lado opuesto de la puerta del congelador.



A Barra de apoyo (en algunos modelos)

2. Quite la bisagra central.

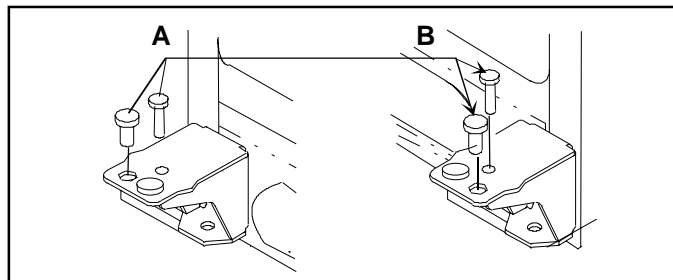
- Quite el soporte de la bisagra central y las cuñas quitando los tornillos con un desarmador Phillips.
- Quite tres tornillos opuestos a la bisagra central y transfíralos al lado opuesto del gabinete.
- Instale el soporte en el lado opuesto del gabinete con las cuñas.



A Tornillos Phillips C Cuñas de la bisagra central  
 B Bisagra central

3. Invierta la articulación de la puerta y el pasador de la bisagra inferior.

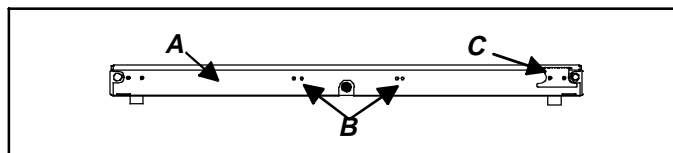
- Mueva el pasador de la bisagra inferior y la articulación de la puerta de la bisagra inferior derecha a la bisagra inferior izquierda. Mueva los tapones de plástico de la bisagra inferior izquierda a la bisagra inferior derecha con unas pinzas de punta de aguja. Oprima las lengüetas por debajo de la bisagra para quitarla.



A Lado izquierdo B Lado derecho

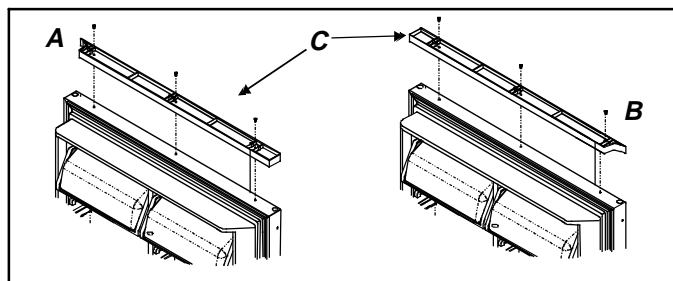
4. Quite los topes de la puerta.

- Ubique el tope de la puerta y la parte inferior de la puerta del refrigerador y la del congelador. Quitela con un desarmador Phillips.



A Tapón de la puerta C Tope de la puerta  
 B Tornillos

- Destornille la extensión de la puerta en la parte superior de la puerta con un desarmador Phillips. Voltee la extensión de la puerta y vuelva a instalarla.



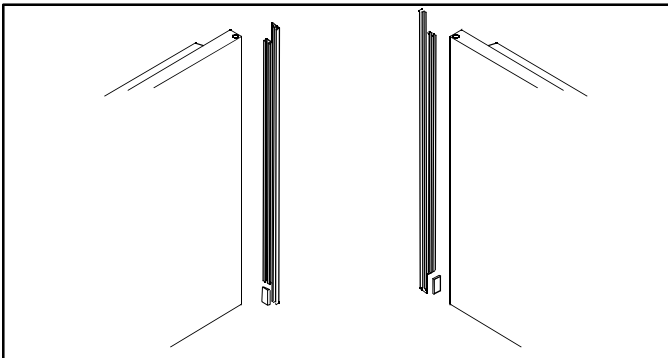
A Antes B Después  
 C Extensión de la puerta

5. Invierte las asas.

- Quite el tapón de la puerta con un desarmador Phillips.
- Con un mazo suave de hule, golpee suavemente la parte inferior del asa hacia arriba, hacia la parte superior de la puerta. El asa se deslizará hacia arriba aproximadamente  $\frac{3}{4}$ " y se separará de la puerta.
- Con un mazo suave de hule, golpee suavemente la parte inferior del adorno de la bisagra de la puerta

hacia la parte superior de la puerta. El adorno se deslizará hacia arriba aproximadamente  $\frac{3}{4}$ " y se separará de la puerta.

- Gire el adorno 180° y quite la lengüeta de plástico que se encuentra en la parte superior del adorno. Vuelva a colocar la lengüeta en el paquete de información impresa. Ubique una lengüeta alternativa en el paquete de instrucciones impresas y coloque ésta en la mella del extremo inferior del adorno.



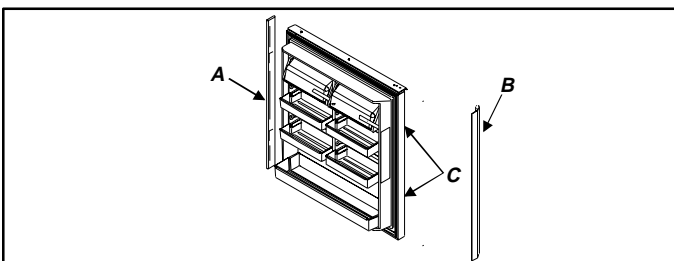
Asa montada a la derecha

Asa montada a la izquierda

- Vuelva a colocar el tapón inferior de la puerta y transfiera el tope de la puerta al lado opuesto.
- Ubique la parte inferior de la nueva bisagra del lado de la puerta. Vuelva a colocar el tope de la puerta con un desarmador Phillips.
- Instale el adorno\* de la bisagra ubicando las mellas en la parte interna del adorno (asegúrese que el inserto de la lengüeta de plástico esté orientada hacia la parte inferior de la puerta). Alinee las mellas del adorno con las lengüetas metálicas de montaje en el lado opuesto de la puerta. Deslice el adorno hacia abajo hasta que la pieza se trabe en su lugar. Golpee suavemente la parte superior del adorno con un mazo de hule para asegurar un ajuste firme.

\* En los modelos de acero inoxidable, reemplace el adorno con el adorno alternativo que se embarca con la unidad.

- Vuelva a instalar el asa ubicando las mellas en la parte interna del adorno del asa. Deslice el asa hacia abajo hasta que se trabe en su lugar. Golpee suavemente la parte superior del asa con un mazo de hule para asegurar un ajuste firme. El extremo del adorno debe estar al ras con la parte superior de la puerta.



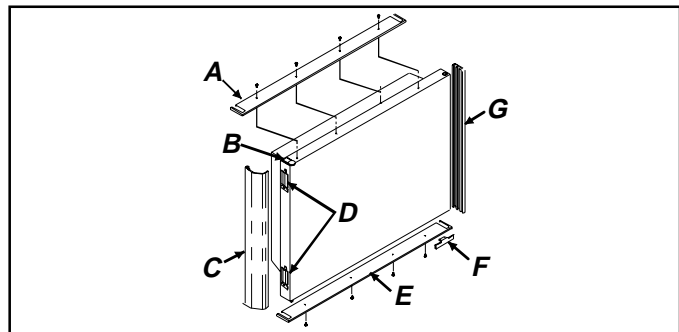
A Adorno

B Asa del refrigerador

C Lengüetas de montaje

- Después de montar el asa del refrigerador y el adorno de la puerta del refrigerador, quite con un desarmador Phillips la extensión de plástico de la puerta de la parte superior de ésta. Invierta la extensión de la puerta y vuelva a instalarla.
- Quite el tapón superior de la puerta del congelador quitando cuatro tornillos Torx T15 de la parte superior de la puerta del congelador.
- **Verifique que la barra de apoyo interna se haya movido al lado nuevo del adorno de la puerta.**
- Mueva el tapón de la bisagra de la parte superior de la puerta al lado nuevo del asa de la puerta.
- Para invertir el asa y el adorno del congelador, siga el paso 5.

**Nota:** El adorno no se gira 180°. El adorno del congelador no tiene lengüeta de plástico ni adorno alternativo para modelos de acero inoxidable.



A Tapón de la puerta

B Tapón de la bisagra del congelador

C Asa

D Lengüetas de montaje

E Tapón de la puerta

F Tope de la puerta

G Adorno

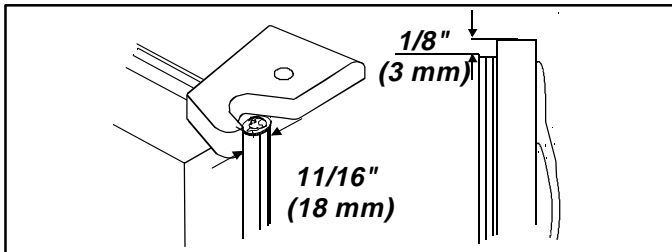
- Coloque de nuevo el tapón superior de la puerta con el desarmador Torx.

#### 6. Coloque de nuevo las puertas.

- Vuelva a colgar la puerta del congelador colocando el orificio de la bisagra de la puerta izquierda del congelador en el pasador de la bisagra izquierda inferior.
- Instale el pasador de la bisagra central en el soporte de la bisagra central con un desarmador hexagonal. Coloque la articulación de la puerta de la bisagra central en el pasador de la bisagra central.
- Ubique tres tapones en la parte superior del gabinete. Transfiera los tapones a los orificios que quedaron al quitar la bisagra.
- Ubique la nueva bisagra superior que se encuentra con el paquete de información impresa. Instale la bisagra superior en el lado opuesto del gabinete del refrigerador con las cuñas de la bisagra desechada. Instale los tornillos posteriores, dejándolos flojos, con un desarmador hexagonal de  $\frac{5}{16}$ ". Coloque la puerta del refrigerador en la articulación de la puerta de la bisagra central. Instale el tornillo restante y asegúrelo en su lugar con un desarmador Phillips. Instale la cubierta de la nueva bisagra y atorníllela en su lugar con el tornillo de la cubierta que se quitó.
- Use una moneda pequeña para separar la puerta  $\frac{11}{16}$ " (18 mm) del gabinete. Use las cuñas de

plástico detrás de la bisagra central para proporcionarle más espacio si fuera necesario.

- El lado del asa de la puerta debe estar aproximadamente  $\frac{1}{8}$ " (3 mm) más alto que el lado de la bisagra. **La puerta se nivelará cuando se llene con alimentos.**



7. Revise que la unidad esté nivelada apropiadamente siguiendo las instrucciones en la sección titulada *Nivelación del refrigerador*, comenzando en el paso tres.

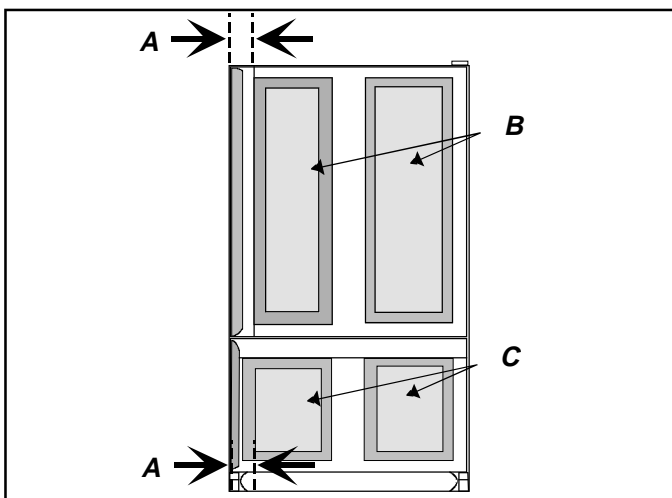
### Instalación de los paneles decorativos (en algunos modelos)



#### ADVERTENCIA

Para evitar el riesgo de lesiones personales o daños materiales, el panel de la sección de Alimentos frescos no debe pesar más de 30 libras (14 kg) y el panel de congelador no debe pesar más de 15 libras (7 kg).

Si se usan paneles en relieve, deje cuando menos  $2\frac{1}{2}$ " de espacio libre entre el borde levantado del panel y el asa del refrigerador.



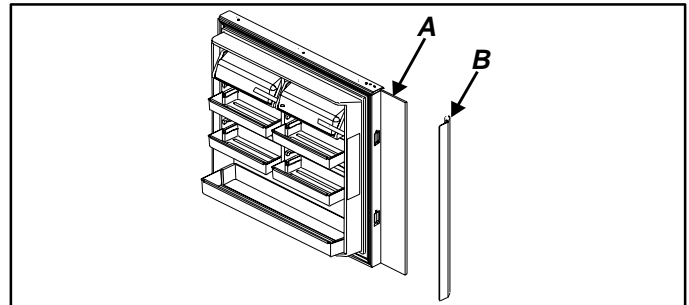
A  $2\frac{1}{2}$ " distancia mínima entre el borde del panel elevado al borde de las puertas.

B Paneles decorativos aplicados o en relieve  $41" \times 35\frac{5}{8}"$  (104cm x 90.5cm)

C Paneles decorativos aplicados o en relieve  $23\frac{11}{16}" \times 35\frac{5}{8}"$  (60.2cm x 90.5cm)

1. Quite el tapón superior de la puerta y el asa de la puerta del refrigerador. Deslice el panel dentro del canal que proporciona el tapón inferior de la puerta.

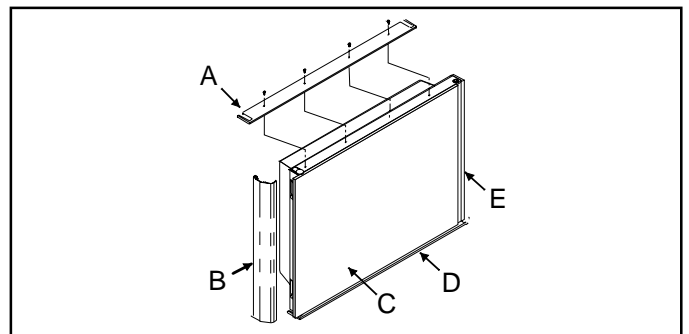
Cuando reemplace el asa, oprima el panel aplanado contra la puerta y deslice el asa hacia abajo de modo que el borde sobrepuesto del asa se deslice sobre el panel para asegurar el ajuste. Vuelva a colocar el tapón de la puerta.



A Panel de la puerta del refrigerador

B Asa del refrigerador

2. Abra la puerta  $90^\circ$  y desatornille el tapón superior de la puerta del congelador. Cierre la puerta. Deslice el adorno hacia adelante hasta que se separe de la puerta. Abra la puerta. Quite el asa de la puerta según el paso 5.
3. Deslice el panel dentro del canal que proporciona el tapón inferior de la puerta. Cuando reemplace el asa, oprima el panel aplanado contra la puerta y deslice el asa hacia abajo de modo que el borde sobrepuesto del asa se deslice sobre el panel para asegurarlo. Coloque nuevamente el tapón y los tornillos de la puerta.



A Tapón del extremo

B Asa

C Panel

D Canal del tapón del extremo

E Adorno

4. Revisión de la *Lista de verificación*.

### Conexión para línea de suministro de agua de la máquina de hielos (en algunos modelos)



#### ADVERTENCIA

Para evitar descargas eléctricas que pueden causar lesiones personales graves o la muerte, desconecte la energía eléctrica del refrigerador antes de conectar el suministro de agua. Después de conectarla, vuelva a conectar la energía.

## PRECAUCIÓN

Acate los puntos siguientes para evitar daños materiales:

- Compruebe que la presión del agua en la válvula de agua esté entre 20 y 100 libras por pulgada cuadrada.
- Apriete la conexión y las tuercas del adaptador con unas pinzas y con una llave de tuercas. No lo apriete de más.
- Revise si hay goteras de agua y arréguelas si es necesario antes de volver a colocar el refrigerador en su lugar. Después de 24 horas revise nuevamente si hay goteras.

### Importante

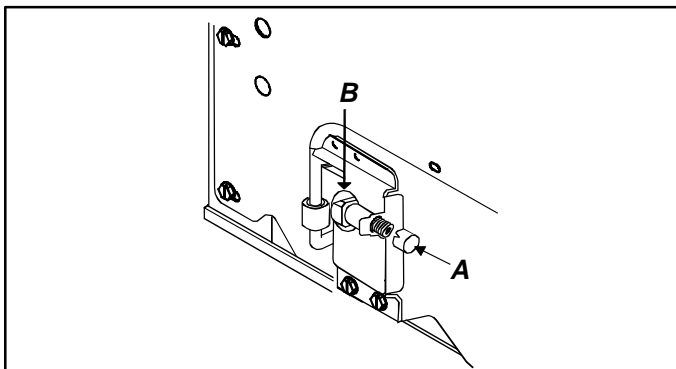
- Antes de conectar el suministro de agua, comuníquese con un plomero para que conecte la tubería de cobre a la plomería de la casa en conformidad con los códigos y reglamentos locales.
- Amana no recomienda el uso de válvulas de tipo de penetración o de sillín de  $\frac{3}{16}$ " (9 mm). Ambas reducen el flujo del agua, con el tiempo se obstruyen y además pueden causar goteras si trata de repararlas. El tipo correcto de válvula de cierre requiere que se haga un orificio de  $\frac{1}{4}$ " (6 mm) en la tubería del suministro de agua antes de conectar la válvula. Amana no es responsable por daños materiales causados por una conexión de agua inapropiada.

### Materiales necesarios

Se requiere tubería de cobre flexible de  $\frac{1}{4}$ " (6 mm). La longitud de la tubería de cobre debe alcanzar desde la conexión del suministro de agua hasta la lumbrera de entrada de la válvula de agua en la parte trasera del refrigerador, además se necesitan 8' (2 m) adicionales de tubería para un lazo de servicio. El lazo de servicio permitirá que el refrigerador se pueda separar de la pared sin desconectar la tubería.

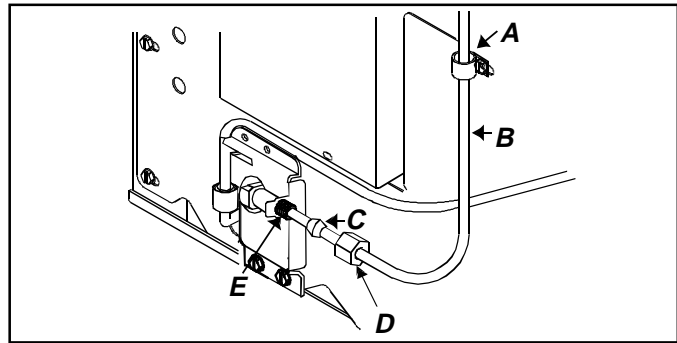
### Procedimiento

- Quite la tapa de plástico de la lumbrera de entrada de la válvula de agua.



A Tapa de plástico  
B Lumbrera de entrada de la válvula de agua

- Coloque la tuerca y la manga de bronce en la tubería de cobre. (La tuerca y la manga de bronce se encuentran en el paquete de información.) Introduzca la tubería de cobre en la lumbrera de entrada de la válvula de agua. Conecte la tuerca de bronce en la tubería de cobre en la lumbrera de entrada de la válvula de agua. Compruebe que la tubería de cobre esté bien segura tirando de ella ligeramente.



A Abrazadera "P"  
B Tubería de cobre  
C Manga de bronce  
D Tuerca de bronce  
E Lumbrera de entrada de la válvula de agua

- Abra el suministro de agua que va al refrigerador y revise posibles goteras. Repare las goteras cuando lo conecte. Tenga cuidado de no apretar demasiado la conexión.
- Haga un lazo de servicio con extremo cuidado para evitar dobleces. Asegure la tubería de cobre al gabinete del refrigerador con una abrazadera "P".

## ADVERTENCIA

Cuando mueva el refrigerador, proteja los pisos vinílicos delicados o de otra clase con cartones, tapetes u otros materiales de protección para evitar daños a la propiedad.

### Para nivelar el refrigerador

Algunas instalaciones pueden requerir que las puertas se tengan que invertir para que puedan abrirse completamente. Si es así, continúe con la sección *Para invertir las puertas* antes de nivelar el refrigerador.

Si su refrigerador requiere que se conecte la máquina de hielo, continúe con la sección *Conexión para la línea de suministro de agua para la máquina de hielo* en la página 30 antes de nivelar el refrigerador.

- Enchufe el cordón eléctrico.
- Mueva el refrigerador a la ubicación final.
- Nivele el refrigerador con un nivelador colocado encima del refrigerador y realizando los pasos siguientes:

- Retire la rejilla inferior sujetando ambos extremos y



# Lista de verificación de la instalación

Esta lista de verificación sirve para llevar un registro personal exclusivamente.

## Consumidor      Instalador

<input type="checkbox"/>	<input type="checkbox"/>
<input type="checkbox"/>	<input type="checkbox"/>

### Puertas

Los tiradores están firmemente adheridos a las puertas.

El lado del refrigerador que tiene el tirador está aproximadamente  $\frac{1}{8}$  de pulgada (3 mm) más alto que el lado donde está la bisagra. (La puerta se baja cuando el refrigerador está lleno con alimentos).

Las puertas se sellan completamente al gabinete del refrigerador.

<input type="checkbox"/>	<input type="checkbox"/>
--------------------------	--------------------------

### Nivelación

El refrigerador está inclinado  $\frac{1}{4}$ " (6 mm) de adelante hacia atrás.

Las roscas estabilizadoras están firmes sobre el piso.

La rejilla inferior está unida correctamente al refrigerador.

<input type="checkbox"/>	<input type="checkbox"/>
<input type="checkbox"/>	<input type="checkbox"/>
<input type="checkbox"/>	<input type="checkbox"/>

### Máquina de hacer hielo (algunos modelos)

La línea de suministro del agua al refrigerador está abierta.

No hay goteras de agua en la conexión entre la línea de suministro de la casa y el refrigerador. (24 horas más tarde el consumidor debería revisar la conexión para ver si hay goteras).

El brazo de la máquina de hacer hielo está hacia abajo para producir hielo. (La producción del primer lote de hielo puede tardar hasta 24 horas).

<input type="checkbox"/>	<input type="checkbox"/>
<input type="checkbox"/>	<input type="checkbox"/>

<input type="checkbox"/>	<input type="checkbox"/>
--------------------------	--------------------------

### Literatura sobre el producto

El manual del propietario ha sido revisado incluyendo la siguiente información:

- tarjeta de registro del producto
- controles de Alimentos frescos y del Deepfreeze®
- cajón de humedad controlada de alimentos frescos
- cajón de temperatura controlada
- ruidos del funcionamiento normal

<input type="checkbox"/>	<input type="checkbox"/>
--------------------------	--------------------------

Notas

---

---

---

---

Firma del consumidor

Firma del instalador

Nombre/Número de teléfono de la  
compañía instaladora

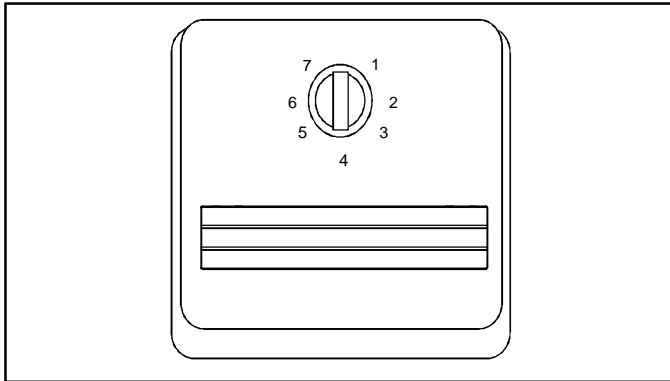
Fecha

## Controles

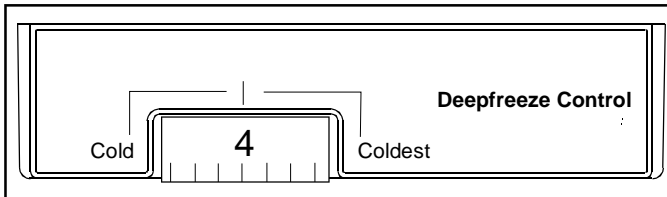
Este refrigerador funciona con mayor eficacia a temperaturas normales de casa, entre 55° y 110°F (13° y 43°C).

### Controles de Alimentos frescos y del Deepfreeze®

El control de Alimentos frescos está ubicado en la parte superior de la pared trasera de la sección de Alimentos frescos.



El control del Deepfreeze® está ubicado en el techo delantero del lado derecho de la sección Deepfreeze®.



Cuando el control del Deepfreeze® está en la posición *OFF*, ni la sección de Alimentos frescos ni la del Deepfreeze® enfriarán. Inicialmente fije ambos controles en 4. Espere 24 horas hasta que las secciones de Alimentos frescos y Deepfreeze® alcancen las temperaturas deseadas. Después de 24 horas, ajuste los controles, un solo número a la vez, según se desee. El 1 es el menos frío y el 7 el más frío.

### Ajuste de los controles

Ajuste con precisión los controles utilizando un termómetro común que abarque temperaturas entre -5° y 50°F (-21° y 10°C).

Coloque cómodamente el termómetro entre paquetes congelados en la sección del Deepfreeze® y espere de 5 a 8 horas. Si la temperatura de la sección del congelador no se encuentra entre 0° y 2°F (-17° y -16°C), ajuste el control, un solo número a la vez. Compruebe nuevamente después de 5 a 8 horas.

Coloque el termómetro en un vaso de agua en medio de la sección de Alimentos frescos y espere de 5 a 8 horas. Si la temperatura de la sección de Alimentos frescos no se encuentra entre 38° y 40°F (3° y 4°C), ajuste el control, un solo número a la vez. Compruebe nuevamente después de 5 a 8 horas.

## Características de la sección de Alimentos frescos

### PRECAUCIÓN

Para evitar daños a la propiedad, verifique que la repisa esté bien instalada antes de colocar artículos en la misma.

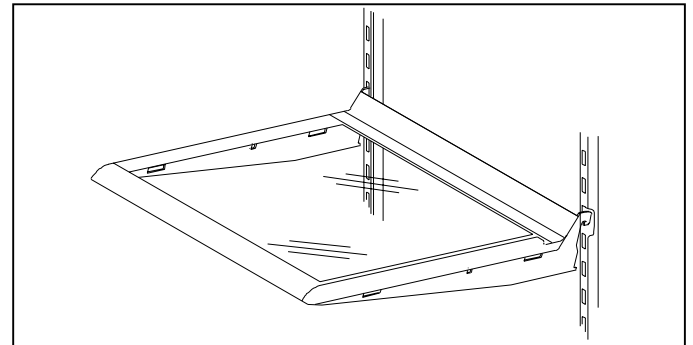
### Repisas Spillsaver™

Las repisas Spillsaver™ se ajustan para satisfacer las necesidades individuales de almacenamiento y contener los derrames menores para facilitar la limpieza.

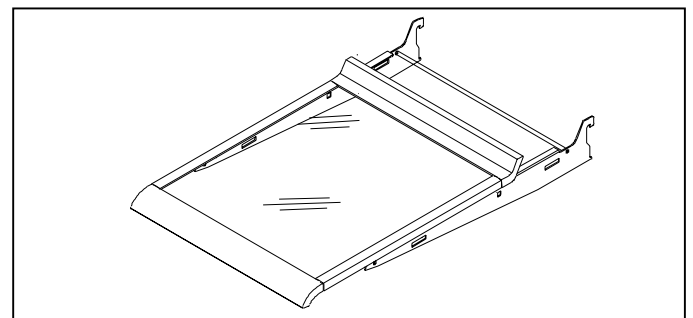
### PRECAUCIÓN

Maneje con cuidado las repisas de vidrio templado para evitar lesiones personales o daños a la propiedad. Las repisas se pueden romper súbitamente si sufren raspaduras, golpes o se exponen a cambios repentinos de temperatura.

- Quite las repisas levantando desde el frente y soltando los ganchos de la guía de metal.
- Vuelva a colocar las repisas insertando los ganchos en la guía de metal y bajando el frente.



Las repisas EasyGlide™ se pueden jalar hacia adelante para sacar más fácilmente los artículos que están atrás.

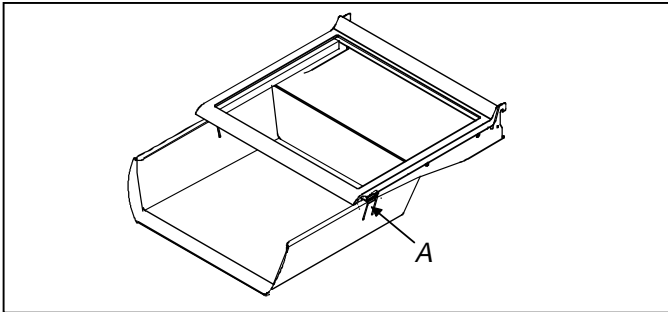


### Deli Port™

Deli Port™, ubicado debajo de la repisa Spillsaver™, proporciona almacenaje que ahorra espacio y se puede jalar hacia adelante para un fácil acceso.

- Quite la repisa jalando hacia adelante hasta que se detenga la misma. Oprima las pestañas laterales y jale la repisa hacia adelante.

- Vuelva a colocar la repisa insertándola en la guía de metal y deslizándola hacia atrás.



A Lengüeta

## Cajones

### Cajón para alimentos frescos de humedad controlada

El cajón de la derecha es el de humedad controlada. Este cajón conserva frescas las frutas y legumbres por más tiempo. Envuelva bien los productos. No los lave antes de colocarlos en los cajones para alimentos frescos. El exceso de humedad podría causar que los productos se pudran prematuramente. No forre los cajones para alimentos frescos con toallas de papel. Las toallas de papel retienen la humedad.

El control de humedad está ubicado debajo del adorno de la repisa delantera. El control ajusta la temperatura en el cajón. Gire el control hacia la derecha para productos que tengan hojas, como la lechuga, espinacas o repollo. Gire el control a la izquierda para productos que tengan cáscara, como la coliflor, los elotes o los tomates.

### Cajón de temperatura controlada

El cajón de la izquierda es el de temperatura controlada. Este cajón conserva frescos los alimentos por más tiempo y hasta 5°F (3°C) más fríos que la temperatura de Alimentos frescos. Utilice este cajón para almacenar los productos deli o frutas y legumbres adicionales.

El control de temperatura está ubicado debajo del adorno de la repisa delantera. El control ajusta la cantidad de aire que circula alrededor del cajón. Gire el control hacia la izquierda para la temperatura normal de la sección de Alimentos frescos y hacia la derecha para la temperatura más fría. Es posible que se formen cristales de hielo en el cajón o en los alimentos en la posición de frío máximo. El aire frío puede disminuir la temperatura de la sección de Alimentos frescos. Tal vez sea necesario ajustar el control de Alimentos frescos.

Quite las repisas y cajones realizando los siguientes pasos:

1. Abra el cajón izquierdo\*.  
\*Para las puertas con las bisagras en el lado izquierdo, abra el cajón derecho.



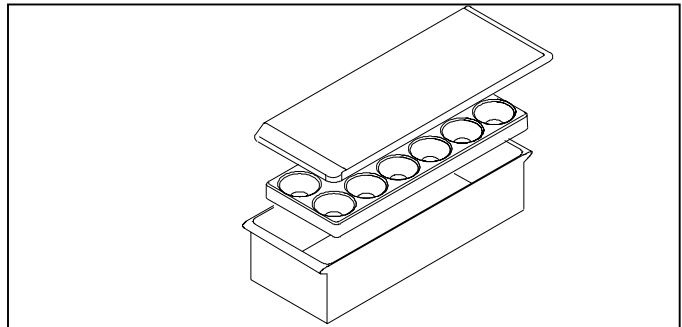
## PRECAUCIÓN

Maneje con cuidado las repisas de vidrio templado para evitar lesiones personales o daños a la propiedad. Las repisas se pueden romper súbitamente si sufren raspaduras, golpes o se exponen a cambios repentinos de temperatura.

2. Quite la repisa empujando suavemente hacia arriba desde abajo. Incline un extremo hacia arriba luego jálelo.
3. Quite el cajón izquierdo\* levantando la parte delantera mientras lo sostiene por debajo y luego jálelo.  
\*Para las puertas con las bisagras en el lado izquierdo, quite el cajón derecho.
4. Extraiga el poste de soporte del hueco en el centro de la parte inferior de la sección de Alimentos frescos jalándolo.
5. Quite el otro cajón para alimentos frescos deslizándolo hacia la pared opuesta. Levante la parte delantera del cajón mientras lo sostiene por debajo y luego jálelo.
6. Vuelva a colocar los cajones y repisas repitiendo los pasos del 1 al 5 en orden inverso.

## Recipiente cubierto para almacenamiento

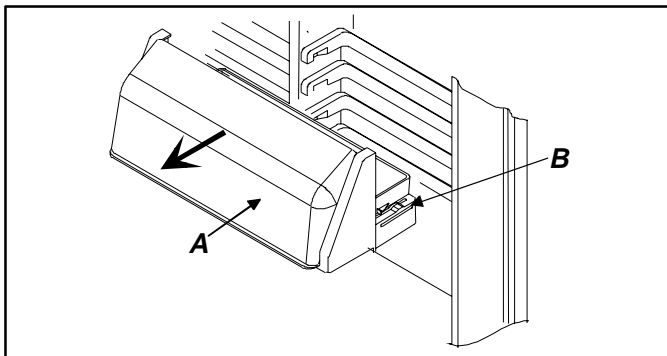
Este recipiente tiene una tapa y una bandeja desmontable para huevos. Cuando se saca la bandeja, se pueden acomodar artículos tales como cajas regulares de huevos, hielo, etc.



## Centros para productos lácteos

Los centros para productos lácteos guardan mantequilla, quesos, etc. en un lugar fácil y conveniente.

- Quite los centros para productos lácteos levantando la puerta, empujando las pestañas hacia el centro y jalando hacia afuera.
- Vuelva a colocar los centros para productos lácteos deslizándolos hasta que la pestañas encajen en su sitio y luego baje la puerta.

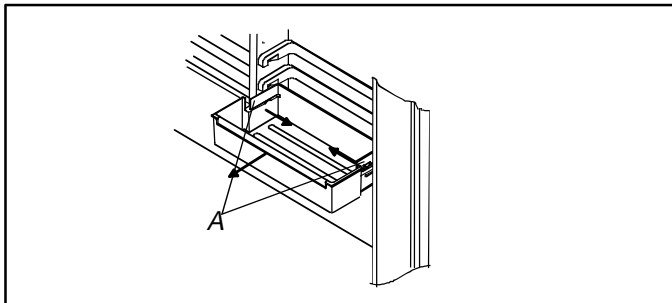


A Puerta B Lengveta

## Compartimientos de la puerta

Los compartimientos de la puerta se ajustan para satisfacer las necesidades individuales de almacenamiento.

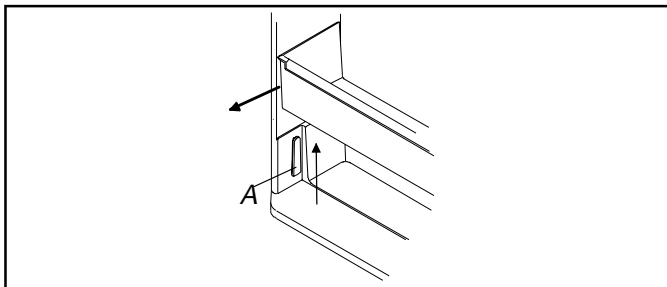
- Quite los compartimientos de la puerta empujando las lenguetas hacia el centro y jalando hacia afuera.
- Vuelva a poner los compartimientos de la puerta deslizándolos hasta que las pestañas encajen en su sitio.



A Lengvetas

## Repisa de la puerta

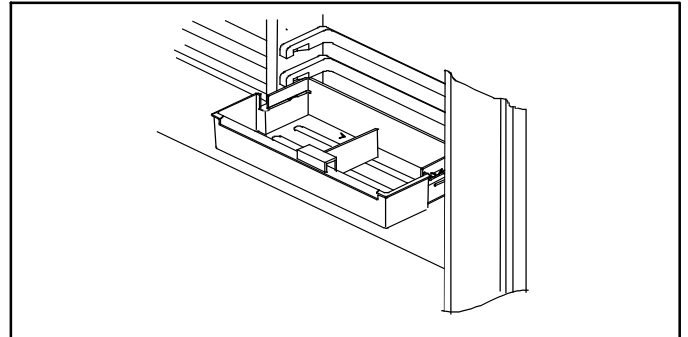
- Quite la repisa de la puerta levantándola de los extremos y jalando hacia afuera.
- Vuelva a colocar la repisa colocándola en las guías y deslizándola hacia abajo.



A Guia

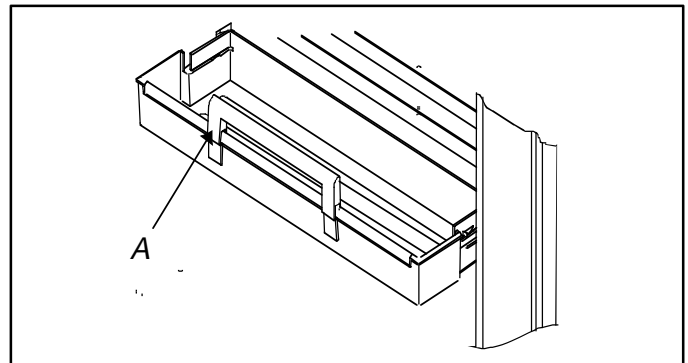
## Separadores ajustables

Los separadores ajustables mantienen los artículos en su sitio y se ajustan para satisfacer las necesidades individuales de almacenamiento. Los separadores caben en cualquier compartimiento de la puerta de Alimentos frescos o cualquier repisa de la puerta.



## Dispositivo de retención para paquetes altos

El dispositivo de retención para paquetes altos mantiene seguros los paquetes altos. El dispositivo cabe en cualquier compartimiento de la puerta de Alimentos frescos o cualquier repisa de la puerta.



A Lengvetas

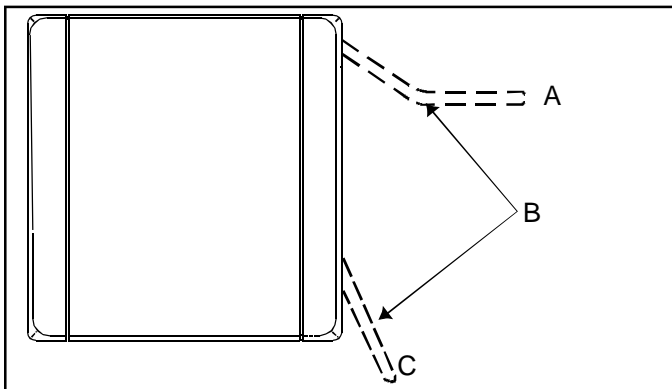
## Características Deepfreeze™

### Sistema sin escarcha (Frost-Free)

Las secciones del refrigerador y del congelador se mantienen completamente sin escarcha. La descongelación es automática bajo condiciones normales. Nunca se tiene que descongelar la sección del refrigerador ni la del congelador.

### Máquina de hielo automática (en algunos modelos)

- Verifique que los recipientes para hielo estén en su sitio y que el brazo de la máquina de hielo esté hacia abajo.



A Posición "Off" (desactivada)      C Posición "On" (activada)  
 B Brazo de la máquina de hielo

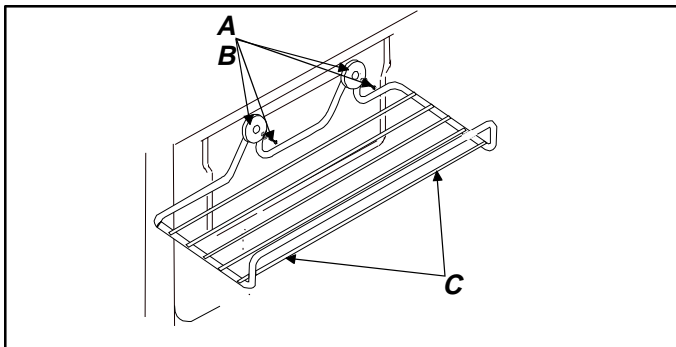
- Después que la sección del congelador alcanza la temperatura normal, la máquina de hielo se llena de agua y comienza a funcionar. Espere de 24 a 48 horas después de instalarla para que los hielos estén listos. La máquina de hielo produce de 7 a 9 raciones de hielo durante 24 horas bajo condiciones ideales.
- Después de que se forma el hielo, la máquina deja caer los hielos adentro del recipiente de hielo. Mientras el hielo se está haciendo, el brazo de la máquina se levanta y se baja. Cuando el recipiente de hielo se llena, el brazo de la máquina la desconecta.

**Nota:** Deseche las tres primeras raciones de hielo para que no consumir ninguna impureza que quede en la línea de agua al instalarla.

- Si desea detener la producción automática de hielo levante el brazo de la máquina. Se escucha claramente un chasquido cuando se coloca en la posición adecuada. El brazo de la máquina se quedará en esta posición hasta que se empuje hacia abajo.

### Rejilla para servicio de hielo (en algunos modelos)

Instale la rejilla para servicio de hielo realizando los pasos siguientes con un desarmador Phillips:



A Arandela      C Rejilla para servicio de hielo  
 B Tornillos



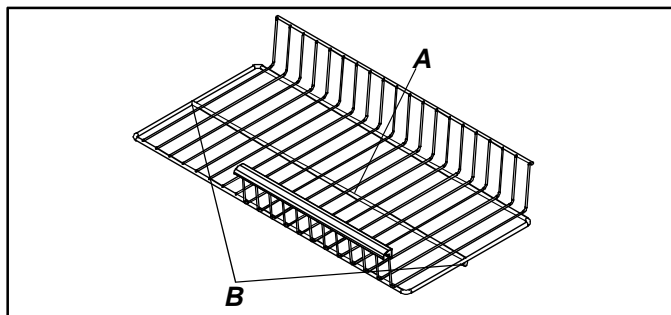
## PRECAUCIÓN

Verifique que la repisa esté segura antes de colocar artículos en ella para evitar daños materiales.

### Repisa deslizable (en algunos modelos)

Las repisas deslizables se pueden jalar hacia el frente para tener un acceso fácil a los artículos colocados en la parte posterior.

- Para quitar la repisa deslizable tire de ella hacia el frente hasta que la punta de bola debajo del riel central se acomode en el canal de la moldura.
- Sostenga la repisa por el riel central, jale hacia arriba y retírela.
- Deslícelo hacia adentro hasta que la punta de bola caiga en el canal de la moldura.

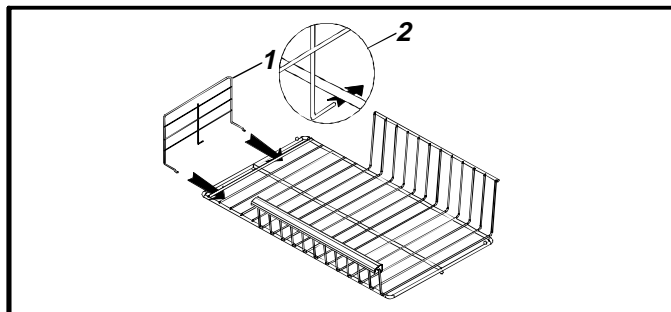


A Riel central      B Punta de bola

### Separador vertical de repisa (en algunos modelos)

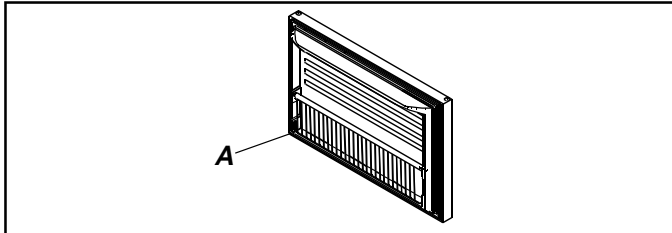
Instale el separador vertical de repisa siguiendo los pasos a continuación:

1. Deslice las puntas del separador de repisa debajo de la rejilla que se desee, ligeramente fuera de centro del riel central.
2. Oprima la parte superior del divisor y deslice el ensamble de gancho debajo del riel central.



## Pivot Bin™

El Pivot Bin™ proporciona un almacenamiento conveniente para los artículos congelados en la puerta del congelador y se inclina hacia adelante para facilitar el acceso a dichos artículos.



A Pivot Bin™

## Cuidado y limpieza



### ADVERTENCIA

Para evitar descargas eléctricas que pueden causar lesiones personales graves o la muerte, desconecte la energía del refrigerador antes de limpiarlo. Después de limpiarlo, conecte la energía.



### PRECAUCIÓN

Lea y siga las instrucciones del fabricante de los productos de limpieza para evitar lesiones personales o daños a la propiedad.

## Puertas y Exterior Texturizados

1. Lave las superficies con cuatro cucharadas (60 ml) de bicarbonato de sodio disuelto en un cuarto de galón (1 l) de agua tibia utilizando un trapo suave y limpio.
2. Enjuague las superficies con agua tibia. Seque las superficies con un trapo suave y limpio.
  - No utilice los siguientes productos:
    - limpiadores abrasivos o ásperos tales como amoníaco, cloro, etc.
    - detergentes o disolventes concentrados
    - estropajos metálicos

Estos productos pueden rayar, rajar y decolorar las superficies.

- No lave las repisas, recipientes, etc. en un lavaplatos automático.

## Limpieza del acero inoxidable

**Los daños al acabado del acero inoxidable debidos al uso incorrecto de los productos de limpieza, o al uso de productos de limpieza no recomendados, no están cubiertos por la garantía.**

Para obtener la lista de los productos recomendados por Amana, llame a nuestra división de Asuntos del Cliente al **1 (800) 843-0304** o comuníquese con nosotros en el sitio Web [www.amana.com](http://www.amana.com).

1. Lave las superficies con agua jabonosa tibia y un paño o una esponja suave y limpia.
2. Enjuague las superficies con agua tibia. Seque las superficies con un paño suave y limpio.
  - No use los siguientes limpiadores abrasivos:
    - limpiadores abrasivos o ácidos (amoníaco, cloro, blanqueador, productos con base de vinagre, etc.)
    - limpiadores con base de cítricos
    - almohadillas de estropajo (metálicas, con textura de plástico, etc.)Estos artículos pueden rallar, decolorar o manchar permanentemente las superficies.
3. A continuación, enjuague inmediatamente y séquelo con un paño suave y limpio. Esto evitará que se manche con gotas de agua el acabado de acero inoxidable.

## Eliminación de olores

1. Saque todos los alimentos.
2. Lave todas las superficies interiores incluyendo el techo, el piso y las paredes, de acuerdo con las instrucciones de limpieza de la sección "Generalidades". Preste atención especial a las esquinas, hendiduras y ranuras. Incluya todos los accesorios, cajones, repisas y empaques.
3. Lave y seque todas las botellas, frascos y recipientes antes de volver a meter los alimentos al refrigerador. Guarde todos los alimentos en recipientes sellados herméticamente para evitar malos olores adicionales. Después de 24 horas revise si se ha eliminado el olor.

Si no se ha eliminado el olor, siga los siguientes pasos.

4. Complete los pasos del 1 al 2.
5. Coloque los cajones para alimentos frescos en la repisa superior de la sección de Alimentos frescos. Llene las secciones de Alimentos frescos y congelador, incluyendo las puertas, con hojas estrujadas de periódico blanco y negro.
6. Coloque pedazos de carbón en diferentes lugares del periódico.
7. Cierre las puertas y deje reposar de 24 a 48 horas.
8. Saque los pedazos de carbón y los periódicos.
9. Complete los pasos del 2 al 3.

Si aún no se ha eliminado el olor, comuníquese con el Departamento de asuntos del consumidor.

## Adhesivos

1. Elimine el residuo de goma frotando un poco de pasta dental sobre el adhesivo hasta aflojarlo.
2. Enjuague la superficie con agua tibia. Seque la superficie con un trapo limpio y suave.

## Empaques de la puerta

1. Limpie los empaques de la puerta cada tres meses de acuerdo con las instrucciones de limpieza de la sección "Generalidades".

2. Aplique una capa delgada de vaselina para mantener la flexibilidad de los empaques.

### Serpentines del condensador

Limpie el serpentín del condensador cada tres meses para asegurar un funcionamiento óptimo del refrigerador. La acumulación de polvo y pelusas puede causar lo siguiente:

- menor rendimiento de enfriamiento
  - aumento del consumo de energía
  - falla prematura de las piezas
1. Quite la rejilla inferior sosteniéndola de los extremos y jalándola hacia adelante.
  2. Limpie la superficie delantera del serpentín con la boquilla de manguera de una aspiradora.
  3. Vuelva a colocar la rejilla inferior insertando y encajando las presillas en los agujeros del gabinete.

### Repisas de vidrio



#### PRECAUCIÓN

Maneje con cuidado las repisas de vidrio templado para evitar lesiones personales o daños a la propiedad. Las repisas se pueden romper súbitamente si sufren raspaduras, golpes o se exponen a cambios repentinos de temperatura.

Saque la repisa bajando el frente de la misma y soltando los ganchos de los rieles metálicos, luego jale la repisa hacia adelante. Colóquela sobre una toalla y permita que la repisa se adapte a la temperatura ambiental durante una hora antes de limpiarla.

Limpie las hendiduras haciendo lo siguiente:

1. Diluya un detergente suave y frótelo en las hendiduras usando un cepillo de plástico. Déjelo reposar durante cinco minutos.
2. Rocíe agua tibia en las hendiduras usando un aditamento para rociar agua desde el grifo.
3. Seque bien la repisa y vuelva a colocarla insertando los ganchos en los rieles metálicos y bajando la parte delantera.

### Focos



#### ADVERTENCIA

Para evitar descargas eléctricas que pueden causar lesiones personales graves o la muerte, desconecte la energía del refrigerador antes de reemplazar el foco. Después de reemplazar el foco, conecte la energía.

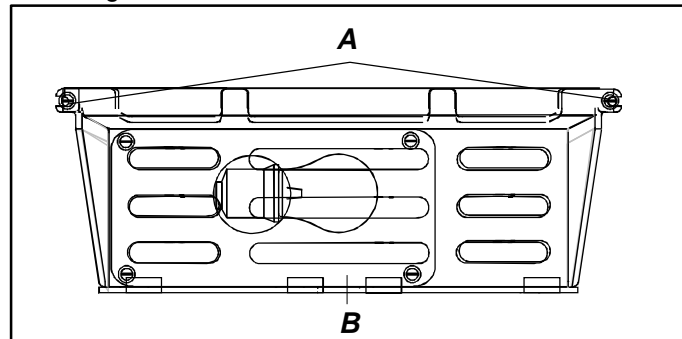


#### PRECAUCIÓN

Lleve a cabo lo siguiente para evitar lesiones personales o daños a la propiedad:

- Permita que se enfríe el foco.
- Use guantes para cambiar el foco.

- Quite la cubierta del foco sacando los tornillos hexagonales de ¼". Cambie el foco por uno para electrodomésticos que no sea de más de 60 vatios.
- Vuelva a colocar la cubierta del foco con los tornillos hexagonales de ¼".



A Tornillos hexagonales de ¼" de pulgada (6mm)

B Cubierta del foco

### Sugerencias para conservar energía

Este refrigerador ha sido diseñado para ser uno de los refrigeradores de mayor rendimiento de energía disponibles. Reduzca el consumo de energía llevando a cabo lo siguiente.

- Hágalo funcionar a temperaturas normales entre 55° y 110°F (13° y 43°C) alejado de las fuentes de calor y de la luz directa del sol.
- Fije los controles de Alimentos frescos, Deepfreeze® y del cajón a una temperatura no más fría de la necesaria.
- Mantenga llena la sección del congelador.
- Mantenga los empaques de la puerta limpios y flexibles. Cambie los empaques si están gastados.
- Mantenga limpios los serpentines del Deepfreeze®.

### Sugerencias para las vacaciones

Siga los siguientes pasos en caso de tomarse vacaciones breves.

1. Saque los alimentos que se puedan echar a perder. **La garantía no cubre las pérdidas de alimentos.** Revise su certificado de garantía para ver si cubre algo en específico.
2. Si tiene instalada una máquina de hacer hielo, ponga el brazo de la máquina en posición desactivada.

Siga los siguientes pasos en caso de tomarse vacaciones largas.

1. Vacíe las secciones de Alimentos frescos y Deepfreeze®.
2. Desenchufe el refrigerador.
3. Limpie el interior del refrigerador y los empaques de las puertas de acuerdo con las instrucciones de limpieza de la sección "Generalidades" en la sección "Cuidado y limpieza".
4. Deje las puertas abiertas para que pueda circular el aire en el interior.

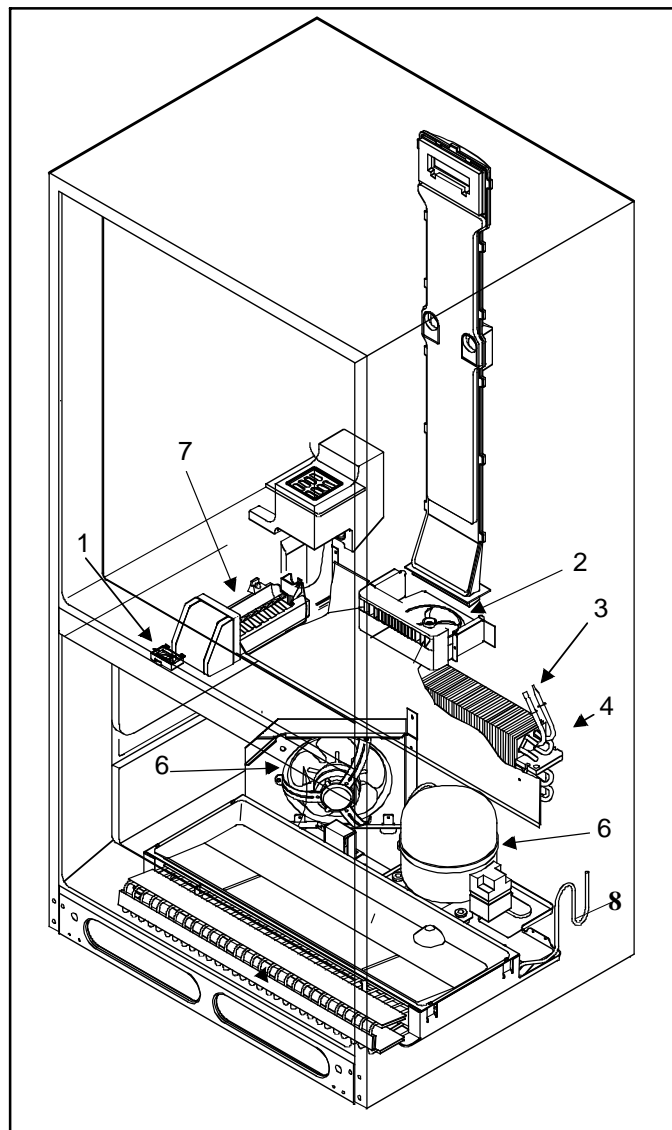
5. Si tiene instalada una máquina de hacer hielo, cierre el suministro de agua al refrigerador y ponga el brazo de la máquina en posición desactivada.

## Sonidos normales de funcionamiento

Es posible que este refrigerador nuevo esté reemplazando a uno de diferente diseño, menos eficiente o más pequeño. Los refrigeradores actuales tienen características nuevas y un mejor rendimiento de energía. Como resultado de esto, ciertos sonidos pueden parecer poco comunes. Estos sonidos son normales y pronto le serán familiares. Estos sonidos indican también que el refrigerador está funcionando y rindiendo según su diseño.

1. **Control del Deepfreeze®** El control del congelador hace un clic al arrancar o detenerse el compresor.
2. **Ventilador del Deepfreeze®** El aire del ventilador del congelador se acelera y zumba.
3. **Sistema sellado** (evaporador e intercambiador de calor) El flujo del refrigerante del sistema sellado gorgojea, revienta o suena como agua hirviendo.
4. **Calentador de descarchado** El calentador de descarchado hace chirridos, silba o revienta.
5. **Ventilador del condensador** El aire del ventilador del condensador se acelera y zumba.
6. **Compresor** El compresor tiene un sonido de tarareo o pulsante.
7. **Cubos de hielo** Los cubos de hielo de la máquina de hacer hielo (en algunos modelos) caen al recipiente.
8. **Conexión de la válvula de agua** de la máquina de hacer hielo. Esta conexión (en algunos modelos) zumba cuando se llena con agua la máquina de hacer hielo. Esto ocurre ya sea que el refrigerador esté conectado o no al suministro de agua. Si no está conectado, anule el ruido colocando el brazo de la máquina de hacer hielo en la posición desactivada.

**Nota:** El aislamiento de espuma tiene muy buen rendimiento de energía y excelente capacidad aislante. Sin embargo, no absorbe el ruido como el aislamiento de fibra de vidrio que se usaba anteriormente.



## Antes de llamar para solicitar servicio

Problema	Solución
El refrigerador no funciona.	<ul style="list-style-type: none"> <li>• Compruebe que el control del Deepfreeze® esté activado.</li> <li>• Compruebe que el refrigerador esté enchufado</li> <li>• Revise el fusible o cortacircuitos. Enchufe otro artefacto en ese tomacorriente de pared.</li> <li>• Espere 40 minutos para ver si vuelve a arrancar el refrigerador. Si el control del Deepfreeze® está activado, funcionan las luces pero no funcionan los dos ventiladores ni el compresor, el refrigerador podría estar en el ciclo de descarchado.</li> </ul>
Aún no funciona el refrigerador.	<ul style="list-style-type: none"> <li>• Desenchufe el refrigerador. Cambie los alimentos a otra unidad o ponga hielo seco en la sección del Deepfreeze® para conservar los alimentos. <b>La garantía no cubre las pérdidas de alimentos.</b> Revise su certificado de garantía para ver si cubre algo en específico.</li> <li>• Llame al <b>1-800-628-5782</b> dentro de los EE.UU. y al <b>1-319-622-5511</b> fuera de los EE.UU. para localizar un técnico de Amana autorizado.</li> </ul>
La temperatura de los alimentos parece demasiado alta.	<ul style="list-style-type: none"> <li>• Vea las secciones anteriores.</li> <li>• Deje que transcurra suficiente tiempo para que los alimentos calientes que se acaban de añadir alcancen la temperatura de Alimentos frescos o del Deepfreeze®.</li> <li>• Revise los empaques de la puerta para ver si sellan correctamente.</li> <li>• Limpie los serpentines del condensador.</li> <li>• Ajuste el control de Alimentos frescos y/o del Deepfreeze®.</li> </ul>
La temperatura del cajón de temperatura controlada es demasiado alta.	<ul style="list-style-type: none"> <li>• Fije el control en un ajuste más frío.</li> <li>• Ajuste el control del Deepfreeze® a una posición de menor temperatura.</li> </ul>
La temperatura de los alimentos es demasiado fría.	<ul style="list-style-type: none"> <li>• Limpie los serpentines del condensador.</li> <li>• Ajuste el control de Alimentos frescos.</li> <li>• Ajuste el control del Deepfreeze® a una posición de mayor temperatura. Deje que transcurran varias horas para que se ajuste la temperatura.</li> </ul>
El refrigerador funciona con demasiada frecuencia.	<ul style="list-style-type: none"> <li>• Podría ser normal para mantener una temperatura constante.</li> <li>• Podría ser que se hayan abierto las puertas con frecuencia o durante un período de tiempo prolongado.</li> <li>• Deje que transcurra suficiente tiempo para que los alimentos calientes que se acaban de añadir alcancen la temperatura de Alimentos frescos o del congelador.</li> <li>• Limpie los serpentines del condensador.</li> <li>• Ajuste el control del Deepfreeze®.</li> <li>• Revise los empaques de la puerta para ver si sellan correctamente.</li> </ul>
Se forman gotas de agua adentro del refrigerador	<ul style="list-style-type: none"> <li>• Es normal durante períodos de mucha humedad o si se han abierto las puertas con mucha frecuencia.</li> </ul>
Se forman gotas de agua afuera del refrigerador	<ul style="list-style-type: none"> <li>• Revise los empaques de la puerta para verificar que cierren correctamente.</li> </ul>

Problema	Solución
Los cajones no cierran libremente	<ul style="list-style-type: none"> <li>• Revise si algún paquete está evitando que el cajón cierre apropiadamente.</li> <li>• Verifique que el cajón esté en la posición correcta.</li> <li>• Limpie los canales del cajón con agua tibia y jabón. Enjuáguelos y séquelos completamente.</li> <li>• Aplique una capa ligera de jalea de petróleo a los canales del cajón.</li> <li>• Confirme que el refrigerador esté bien nivelado.</li> </ul>
El refrigerador huele mal.	<ul style="list-style-type: none"> <li>• Vea las instrucciones <i>Eliminación de olores</i> en la sección <i>Cuidado y limpieza</i>.</li> </ul>
El refrigerador o la máquina de hacer hielo (en algunos modelos) hacen ruidos poco comunes o que parecen demasiado altos.	<ul style="list-style-type: none"> <li>• Podría ser normal. Consulte la sección de “Ruidos del funcionamiento normal”.</li> </ul>
La máquina de hielo (en algunos modelos) no hace hielos.	<ul style="list-style-type: none"> <li>• Verifique que el brazo de la máquina de hielo esté abajo.</li> <li>• Verifique que el suministro de agua doméstica llegue hasta la válvula de agua.</li> <li>• Verifique que el cableado preformado de la máquina de hielos esté completamente insertado en los orificios correctos.</li> <li>• Revise que la tubería de plástico o de cobre no tenga dobleces. Quítele los dobleces o reemplace la tubería.</li> <li>• Revise las conexiones eléctricas al serpentín de la válvula de agua y el bloque conector en el gabinete del refrigerador.</li> <li>• Verifique que la sección Deepfreeze® esté funcionando a la temperatura correcta.</li> </ul>
Los cubos de hielo tienen mal olor.	<ul style="list-style-type: none"> <li>• Consulte las instrucciones para la “Eliminación de olores” en la sección “Cuidado y limpieza”.</li> <li>• Deseche el hielo y lave el recipiente o las bandejas para hielo con más frecuencia. Los cubos de hielo son porosos y absorben olores con facilidad.</li> </ul>
Los cubos de hielo se pegan o se “encogen”.	<ul style="list-style-type: none"> <li>• Vacíe el recipiente o las bandejas para hielo con más frecuencia. Si se usan con poca frecuencia, los cubos pueden pegarse o encogerse.</li> </ul>
Se forma hielo en el tubo de entrada de la máquina de hielo (en algunos modelos).	<ul style="list-style-type: none"> <li>• Revise la presión del agua. La presión de agua baja causará que la válvula gotee. Las válvulas de penetración causan una presión de agua baja. <b>Amana recomienda que use una válvula de sillín. Comuníquese al 1-800-843-0304 o con un distribuidor Amana para saber la disponibilidad. No utilice válvulas de penetración. Amana no es responsable por daños materiales causados por la instalación o conexión incorrecta del agua.</b></li> </ul>

# Garantía

## **Garantía completa de un año** **Garantía completa de cinco años en los componentes del sistema sellado y en el** **revestimiento del compartimiento de los alimentos** **Garantía limitada de diez años en los componentes del sistema sellado**

### **Primer año**

Amana Appliances reparará o reemplazará sin cargo alguno, cualquier pieza que esté defectuosa debido a la mano de obra o a los materiales.

### **Del segundo al quinto año**

Amana Appliances reparará o reemplazará sin cargo alguno, cualquier componente del sistema sellado (compresor, condensador, evaporador y la tubería de interconexión) y reparará cualquier revestimiento del compartimiento de los alimentos (excluyendo el revestimiento de la puerta) que esté defectuoso debido a la mano de obra o a los materiales.

### **Del sexto al décimo año**

Amana Appliances reparará o reemplazará cualquier componente del sistema sellado (compresor, condensador, evaporador y la tubería de interconexión), f.o.b. Amana, Iowa, que esté defectuoso debido a la mano de obra o a los materiales.

### **Limitaciones de la garantía**

- Comienza a partir de la fecha de la compra original.
- Se aplica a productos que se van a usar dentro de los Estados Unidos o en Canadá, si el producto viene de la fábrica con la aprobación de la Asociación de Normas Canadienses.
- El servicio debe realizarlo un técnico de Amana **autorizado**.

### **La garantía se anulará si:**

- La placa del número de serie está borrosa o ilegible.
- Se le ha dado uso comercial al producto, se ha rentado o alquilado.
- El producto tiene algún defecto o daño debido a un accidente, alteración, conexión eléctrica incorrecta, incendio, inundación, relámpagos, envío o manejo del producto, u otras condiciones fuera del control de Amana Appliances.
- El producto ha sido instalado o usado incorrectamente.

### **Responsabilidades del propietario**

- Proporcionar evidencia de compra (recibo).
- Proporcionar cuidado y mantenimiento normales. Reemplazar los artículos reemplazables por el propietario de acuerdo con las instrucciones que aparecen en el Manual del propietario.
- Permitir que el producto sea razonablemente accesible por el personal de servicio.
- Pagar una compensación de los gastos de servicio por los servicios prestados por el técnico fuera de su horario habitual de trabajo.
- Pagar por las llamadas para solicitar servicio relacionado con la instalación del producto.

### **En ningún caso Amana Appliances se hará responsable de daños incidentales o emergentes incluyendo la pérdida de alimentos\*.**

\*Esta garantía otorga derechos legales específicos y puede ser que existan otros derechos que difieren de un estado a otro. Por ejemplo, algunos estados no permiten la exclusión o limitación de los daños incidentales o emergentes, por lo tanto tal vez esta exclusión no le afecte a usted.

Amana Appliances  
2800 220th Trail  
PO Box 8901  
Amana, IA 52204-0001  
Teléfono 1-319-622-5511  
Facsímil 1-319-622-8595

