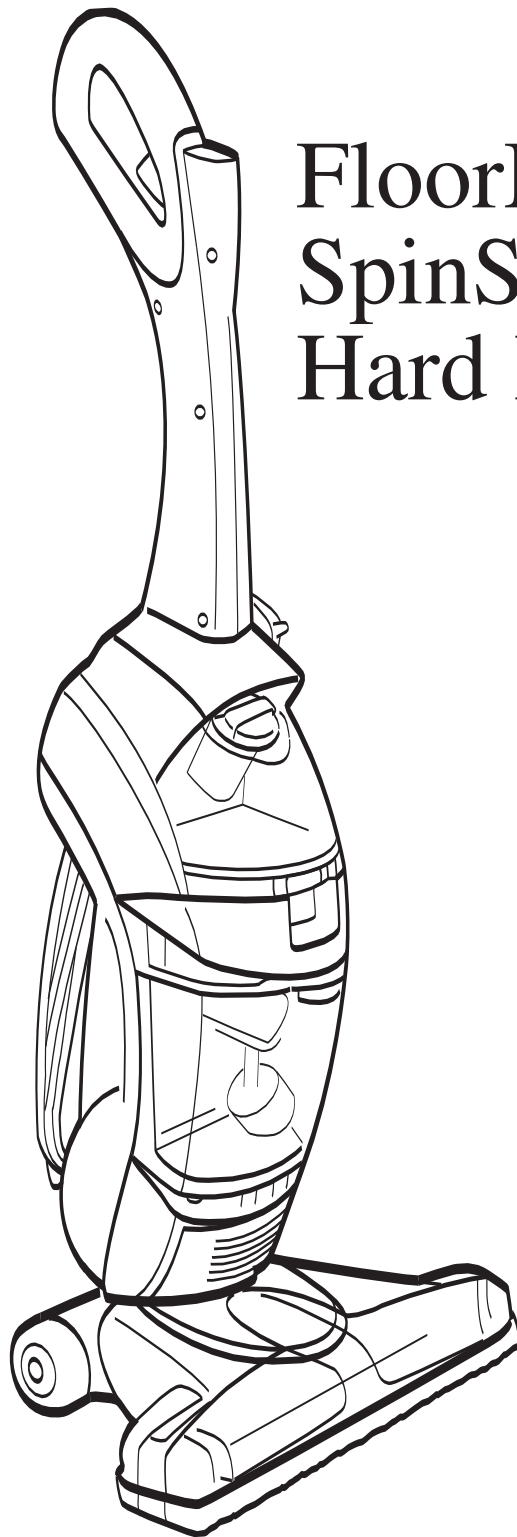


HOOVER®

ENGLISH → pp. 1-19
ESPAÑOL → pág. 20-31
FRANÇAIS → p. 32-43



FloorMate™ SpinScrub™ Hard Floor Cleaner



hoover.com

Important Safeguards!

When using an electrical appliance, always follow basic precautions, including the following:

READ ALL INSTRUCTIONS BEFORE USING APPLIANCE.

WARNING:

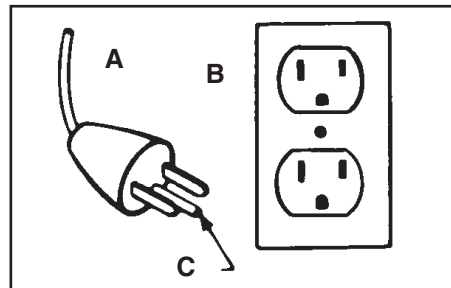
To reduce the risk of fire, electric shock, or injury:

- Use indoors only.
- Use only on surfaces moistened by the cleaning process or small spills. Do not immerse product.
- For use on bare floors or sealed wood floors. NOT for use on carpets.
- Always install float before any wet pick up operation.
- Close supervision is necessary when any appliance is used by or near children. Do not allow cleaner to be used as a toy or to run unattended at any time.
- Keep hair, loose clothing, fingers, feet and all parts of body away from openings and moving parts.
- Do not pick up anything that is burning or smoking, such as cigarettes, matches, or hot ashes.
- Do not pick up or use flammable or combustible materials such as gasoline or fine wood sandings or use in areas where they may be present.
- Avoid picking up hard, sharp objects with the cleaner. They may damage the machine.
- Do not put any object into openings. Do not use with any opening blocked; keep free of dust, lint, hair, and anything that may reduce air flow.
- Do not pull or carry by cord, use cord as a handle, close door on cord or pull cord around sharp edges or corners. Do not run appliance over cord. Keep cord away from heated surfaces.
- Always disconnect cord from electrical outlet before servicing the cleaner.
- Unplug cleaner when not in use. Turn off all controls before unplugging.
- Do not unplug by pulling on cord. To unplug, grasp the plug, not the cord.
- Never handle plug or appliance with wet hands.
- Connect to a properly grounded outlet only. See "Grounding Instructions".
- Do not clean over floor electrical outlets.
- Do not use without tanks in place.
- Use extra care when cleaning on stairs. Do not place cleaner on stairs.
- The use of an extension cord is not recommended. If an extension cord is absolutely necessary, use at least a 16 gauge 3-wire cord which has a 3-prong grounding type plug and a 3-pole receptacle that accepts the machine plug.
- Keep detergents and other cleaners out of children's reach.
- Do not pick up chlorine bleach, drain cleaner, gasoline or any other toxic material with this appliance.
- When using recommended chemicals with this machine, be certain area is well ventilated.
- Follow manufacturer's instructions for all chemicals used with this machine. Do not exceed recommended mixing ratios.
- Store in a dry place. Do not expose machine to freezing temperatures.
- Do not use with damaged cord or plug. If appliance is not working as it should, has been dropped, damaged, left outdoors, or dropped into water, take it to a Hoover Sales and Service Center or Authorized Hoover Warranty Service Dealer.
- Use cleaner only for its intended use as described in the instructions.

WARNING:

This product contains chemicals known to the State of California to cause cancer. WASH HANDS AFTER HANDLING.

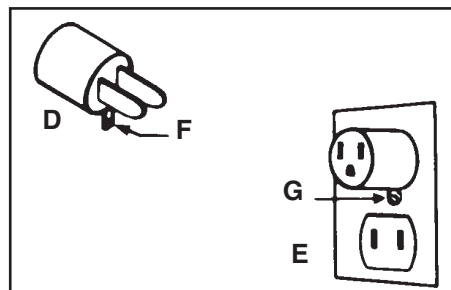
Grounding Instructions



This appliance must be grounded. If it should malfunction or breakdown, grounding provides a path of least resistance for electrical current to reduce the risk of electric shock. This appliance is equipped with a cord having an equipment-grounding conductor (C) and grounding plug (A). The plug must be plugged into an appropriate outlet (B) that is properly installed and grounded in accordance with all local codes and ordinances.

DANGER-

Improper connection of the equipment-grounding conductor can result in the risk of electric shock. Check with a qualified electrician or service person if you are in doubt as to whether the outlet is properly grounded. Do not modify the plug provided with the appliance - if it will not fit the outlet, have a proper outlet installed by a qualified electrician. This appliance is for use on a nominal 120 volt circuit and has a grounding plug that looks like the plug illustrated in sketch (A).



A temporary adapter (D) may be used to connect this plug to a 2-pole receptacle (E) if a properly grounded outlet (B) is not available. The temporary adapter should be used only until a properly grounded outlet (B) can be installed by a qualified electrician. The green colored rigid ear, lug, or the like (F) extending from the adapter must be connected to a permanent ground (G) such as a properly grounded outlet box cover. Whenever the adapter is used, it must be held in place by a metal screw. NOTE: In Canada, the use of a temporary adapter is not permitted by the Canadian Electrical Code.

Save these instructions!

To contact us:

- hoover.com
- 1-800-944-9200 - automated service dealer locator
- 1-800-263-6376 - our Consumer Response Center, Mon-Fri 8am - 7pm EST

Fill in and Save

For your records, enter the model number and serial numbers in the spaces provided. These numbers are located on the data label on the back of the cleaner body.

Model No. _____

Serial No. _____

Save your sales receipt and attach it to this manual. Proof of date of purchase may be required for warranty service of your cleaner.

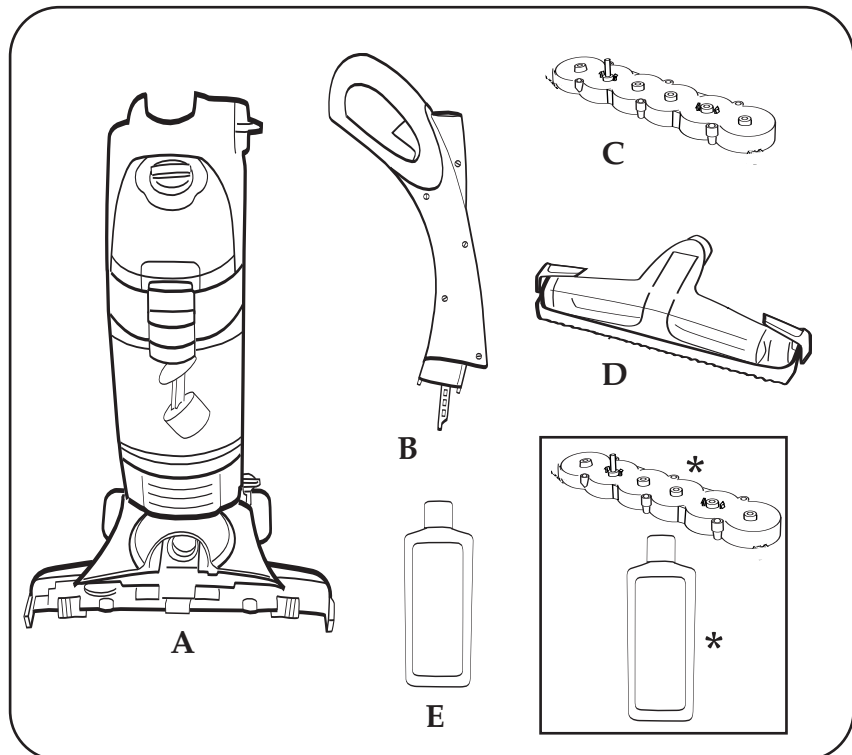
Contents

Important safeguards	2
Carton contents	3
Cleaner description.....	4
Assembly	
Handle assembly	5
Brush/nozzle assembly	5-6
General operation	
Mode selector dial	8
Solution tank	9-10
Recovery tank	11
Automatic shut-off.....	11
To clean filters	11-12
How to clean	
Recommended cleaning sequence.....	12
Cleaning floors.....	13
Picking up spills	13
Storage.....	14
Maintenance	
Cleaning the nozzle.....	14
Cleaning the brushes... ..	15-16
Troubleshooting	17
Service.....	18
Warranty.....	19

Carton Contents

- A. Hard floor cleaner
- B. Upper handle
- C. Brush assembly
- D. Nozzle
- E. Floor cleaning concentrate

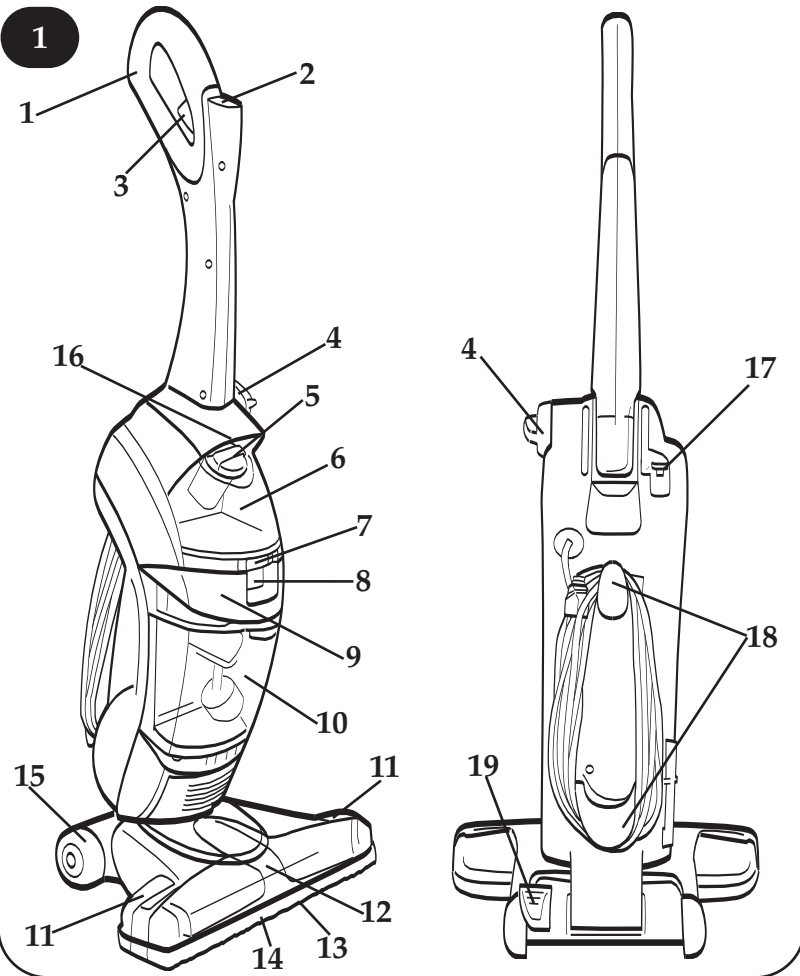
*Some models include a second set of brushes (gray bristles) for cleaning grout and Grout Cleaner



Cleaner Description

This cleaner is intended for household use.

Operate cleaner only at voltage specified on data plate on back of cleaner. Plug cleaner into a properly grounded outlet.



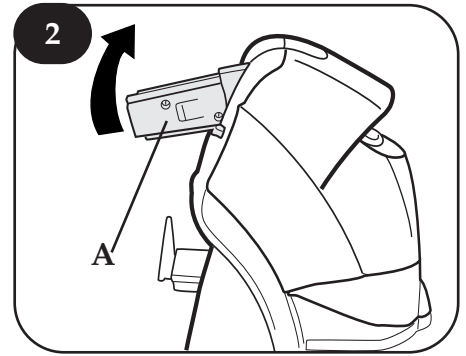
This user manual applies to models with either 6 or 7 brushes.

Features

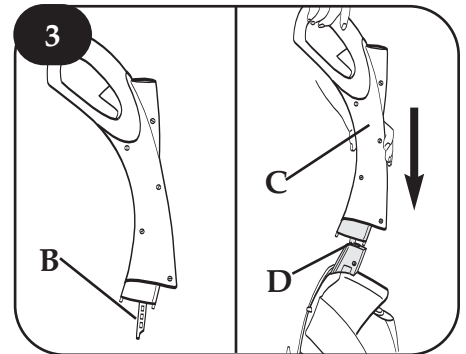
- | | |
|--|--|
| 1. Soft hand grip | 12. Nozzle |
| 2. ON/OFF switch | 13. Squeegee (underneath nozzle) |
| 3. Solution trigger: squeeze to release cleaning solution | 14. Bumper |
| 4. Mode selector dial: turns brushes ON for wet cleaning and OFF for wet pickup and dry vacuuming | 15. Soft-tread wheels |
| 5. Clean solution tank cap/measuring cup | 16. Carrying handle |
| 6. Clean solution tank | 17. Upper handle release button |
| 7. Clean solution tank release | 18. Cord hooks: top hook rotates for quick cord release |
| 8. Recovery tank release | 19. Handle release pedal |
| 9. Recovery tank lid and filter | |
| 10. Recovery tank: collects dry debris as well as dirty cleaning solution | |
| 11. Nozzle release buttons: release nozzle for easy clean-up (located behind nozzle) | |

Assemble handle

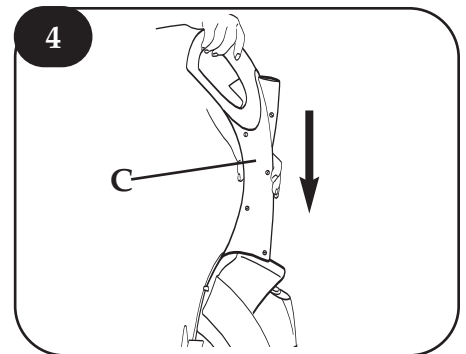
2 Rotate bottom handle support (A) up to the upright position until a snap is felt.



3 Align control rod (B) on upper handle (C) with slot in bottom handle support (D).



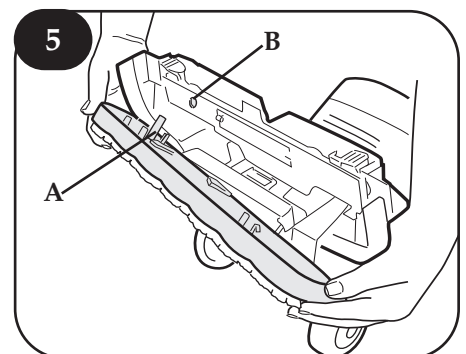
4 Push upper handle (C) all the way down until you hear it snap in place.

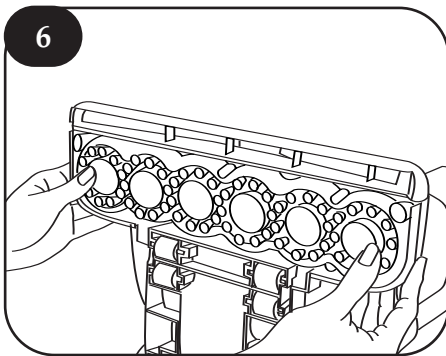


Install brushes and nozzle

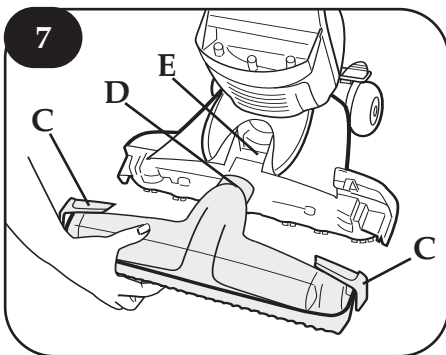
5 To install brushes, place handle in upright position. Tilt cleaner back so that it rests on the floor.

Align post (A) on brush block with hole (B) on bottom of cleaner. Turn brushes slightly until post fits easily into hole.





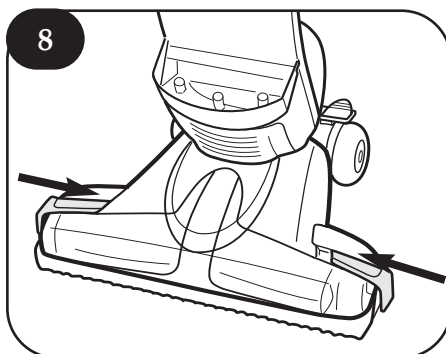
6 Press brush assembly firmly to snap into place.



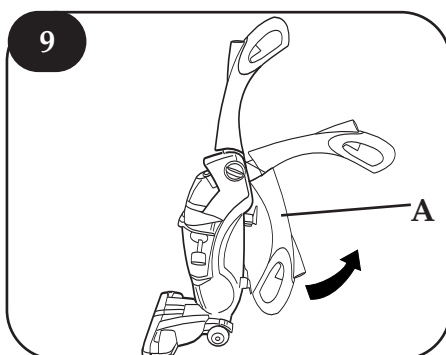
7 To install nozzle, make sure latches (C) are out.

Align middle section (D) of nozzle with opening (E) on cleaner.

Remove cardboard packing insert from squeegee area on underside of nozzle.

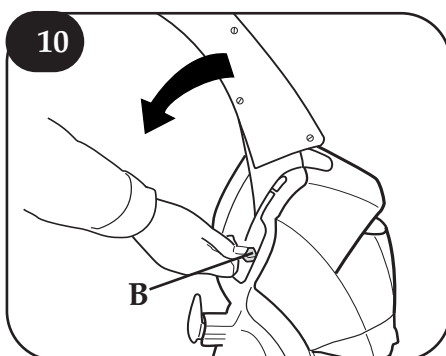


8 While holding nozzle in place, slide latches inward to lock in place.



Unfold handle

9 Raise upper handle (A) to upright position until it locks in place.

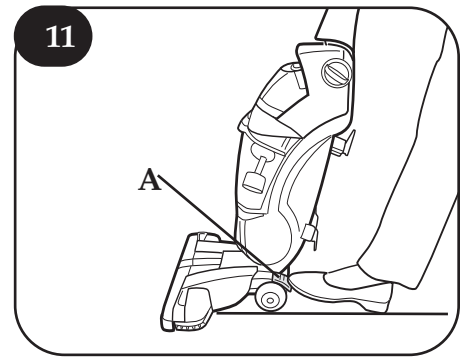


How to fold handle

10 Press upper handle release button (B) to fold handle to storage position.

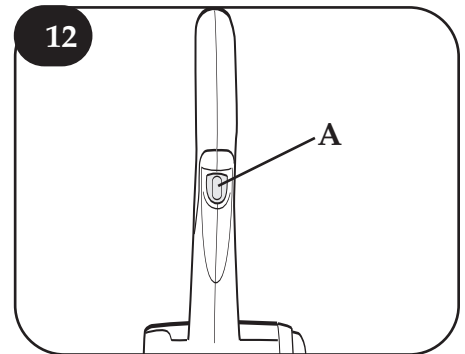
Handle release pedal

- 11** Step on pedal (A) to lower handle to operating position. Handle does not lock into a single position, but “floats” to allow convenient operation.



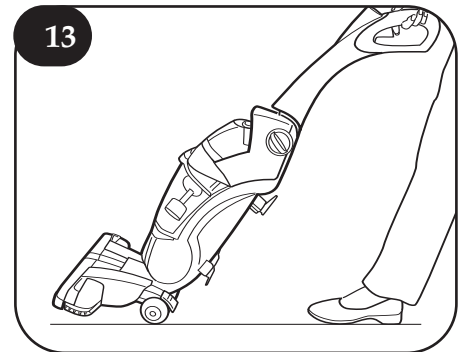
ON/OFF switch

- 12** Push switch (A) once to turn cleaner ON. Push switch again to turn cleaner OFF.

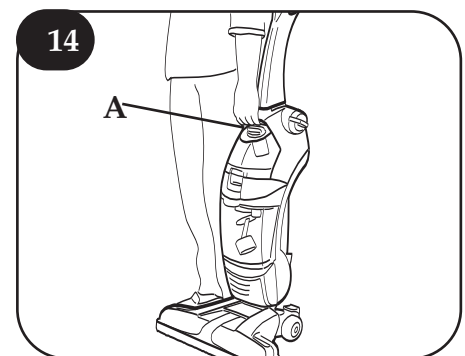


Transporting

- 13** To move your cleaner from room to room, put handle in upright position, tilt cleaner back on rear wheels and push forward.



- 14** The cleaner may also be lifted using the carrying handle (A) on the front of the cleaner.



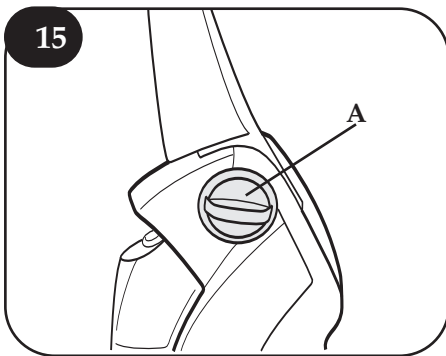
General operation

Your HOOVER FloorMate™ SpinScrub™ Cleaner can be used to both vacuum dry debris and wet clean non-carpeted floor surfaces such as vinyl, tile and sealed wood. **It is not intended for use on carpet or rugs.**

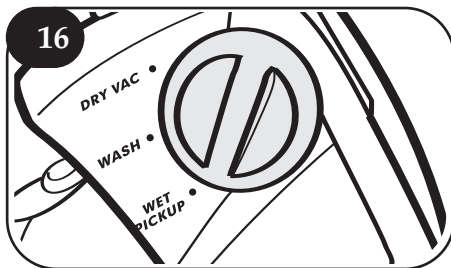
CAUTION: To prevent damage to wood floors, follow the flooring manufacturer's cleaning recommendations.

If using cleaner on sealed wood floors, inspect floor surface for worn finish, bare wood or separated joints. Do not use FloorMate™ SpinScrub™ Cleaner to wet clean sealed wood floors if any of these conditions exist.

Mode selector dial



15 The Mode selector dial (A) turns the brushes on and off.



16 For dry debris pickup, turn the dial to the DRY VAC position. In this position, the brushes will not rotate and are raised off the floor surface.

To wet clean with brushes turned ON, turn the dial to the WASH position.

For wet pickup, turn the dial to the WET PICKUP position.

Refer to "How to clean" section for complete cleaning instructions.

The tanks

Solution (upper) tank

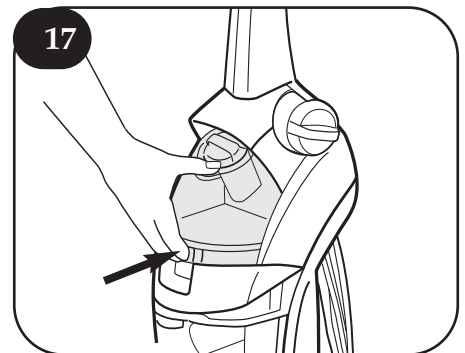
The solution tank holds detergent and water that is to be dispersed onto the surface being cleaned.

How to fill

Disconnect cleaner from electrical outlet.

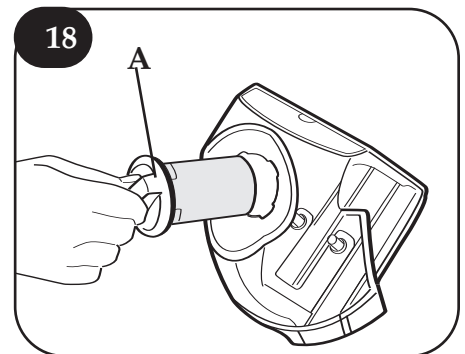
Place cleaner handle in upright, locked position.

- 17** To remove tank, squeeze release button and pull tank straight out.



Carry tank to a sink.

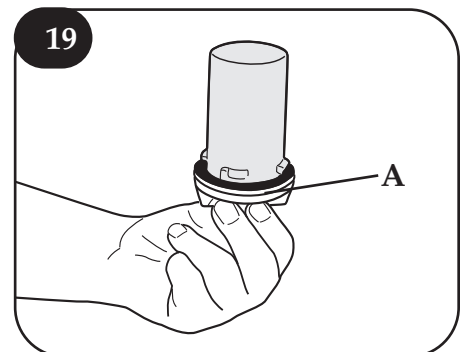
- 18** Rotate tank cap counter-clockwise and lift up to remove cap (A).



- 19** Turn cap (A) upside down to serve as a measuring cup.

For hard surface floors such as **vinyl, linoleum, marble, laminate wood, polyurethane sealed wood or other wood floors that can normally be cleaned using water**, use one cup (2 oz.) HOOVER® Floor to Floor™ Cleaner.

Check for worn spots or joint separations before using, as these conditions could lead to damaged flooring when using water to clean floor.



NOTE: For cleaning ceramic and other tiles, some models include a set of grout brushes with gray bristles. Use these for tile floors where extra attention is needed for cleaning grout. (See “Cleaning the brushes” section for how to remove and replace the brush assemblies.)

Using cup, measure 1-1/2 cupfuls (3 oz.) of HOOVER® Grout Cleaner*.

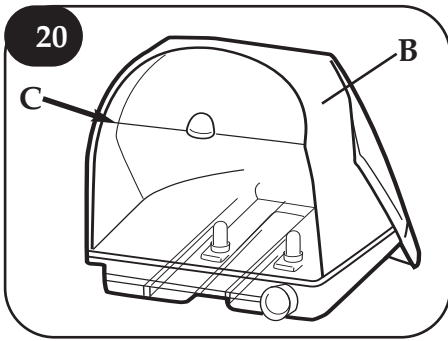
*Available at additional cost if not included with your model.

Continued →

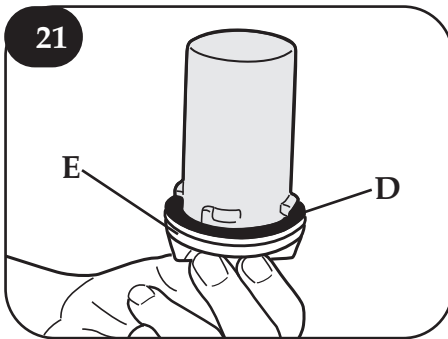
DO NOT use cleaning concentrates that contain solvent based ingredients.

CAUTION: HOOVER® Grout Cleaner* cannot be used in Hoover SteamVac™ products. Doing so could damage your SteamVac™ Cleaner.

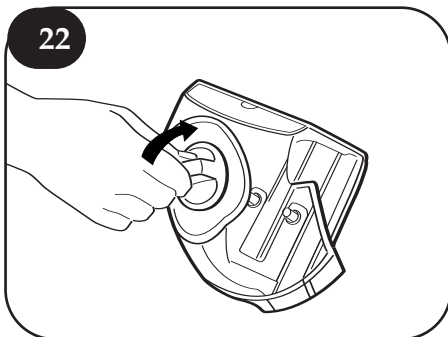
*Available at additional cost if not included with your model.



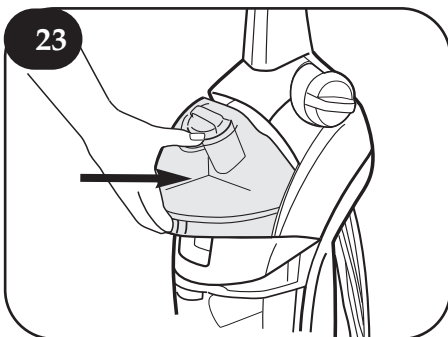
20 Pour cleaning concentrate into tank (B). Fill tank to fill line (C) (1 quart) with warm water.



21 If rubber ring (D) on cap has become dislodged, reposition it with uneven side against ledge (E) as shown.



22 Replace cap. Rotate cap clockwise until it locks in place. Cap must be locked in place for proper performance and to prevent leaking.



23 Slide tank straight into position until latch snaps in place.

Recovery (lower) tank

Automatic shut-off

An automatic suction shut-off is built into the recovery tank to prevent the tank from overflowing.

When the shut-off activates, the cleaner will not pick up debris and the sound of the motor will change. The recovery tank is full and must be emptied.

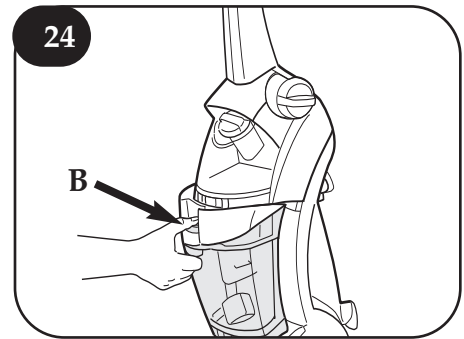
How to empty

Turn cleaner off and disconnect from electrical outlet.

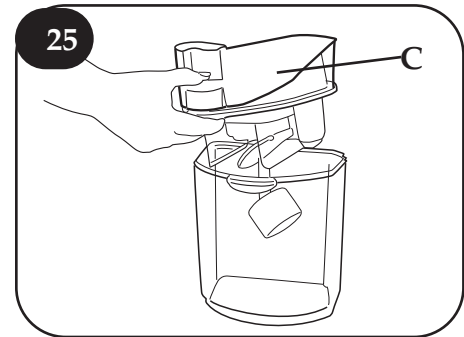
Although not necessary for satisfactory performance, it is recommended that the recovery tank be emptied after dry vacuuming and before wet operation.

Check the solution tank also. It may need to be refilled at this time.

- 24 To remove tank, press down on release button (B) and pull tank straight out.



- 25 Remove tank lid (C). Empty tank.

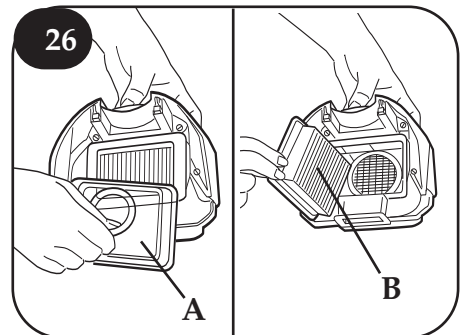


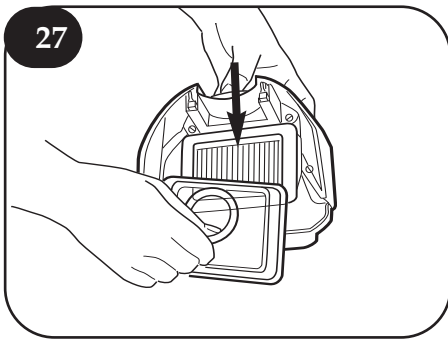
To clean filters

The tank lid contains a washable, reusable filter. Clean this filter when suction is low or reduced.

Turn cleaner off and disconnect from electrical outlet.

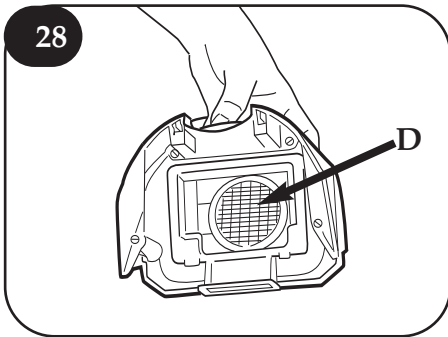
- 26 Remove recovery tank and lid (Figs. 24 & 25). Remove filter lid (A), then remove filter (B). Remove loose debris from filter by tapping the filter or gently brushing using your hand. The filter may also be rinsed for additional cleaning. Allow filter to air dry between uses.





Reposition filter.

- 27 Replace filter lid. Press down firmly until snapped in place.

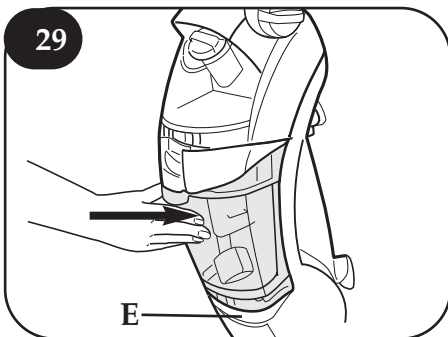


Dry or loose debris will also collect on the filter screen located in the tank lid.

- 28 To remove debris from screen, remove the pleated filter from the lid. Remove debris from screen (D).

The filter screen may also be cleaned by rinsing it under running water.

Reposition pleated filter in lid. Replace lid onto recovery tank, pressing down firmly until snapped in place.



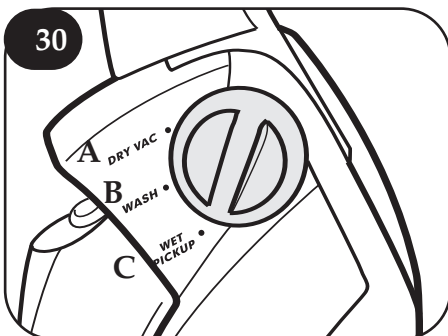
- 29 To replace recovery tank, place bottom of tank behind ledge (E) and push tank straight into cleaner body until it is locked in place.

How to clean

Recommended cleaning sequence

Use your HOOVER® FloorMate™ SpinScrub™ Cleaner to:

- **Dry Vacuum** to remove loose dirt, hair and debris.
- **Wet Clean** the floor surface. The brushes will provide light agitation to help loosen dirt.
- **Wet Pickup** reduces drying time of the floor surface.



The **Mode selector dial** turns the brushes on and off.

- 30 For **dry debris pickup**, turn the dial to the **DRY VAC** position (A). In this position, the brushes will not rotate and are raised off the floor surface.

To **wet clean with brushes turned ON**, turn the dial to the **WASH** position (B).

For **wet pickup**, turn the dial to the **WET PICKUP** position (C).

Cleaning floors

NOTE: Your HOOVER® FloorMate™ SpinScrub™ cleaner may be used to clean wood floors that have been sealed with a polyurethane coating and can be cleaned with water.

CAUTION: To prevent damage to wood floors, follow the flooring manufacturer's cleaning recommendations.

If using cleaner on sealed wood floors, inspect floor surface for worn finish, bare wood or separated joints. Do not use FloorMate™ SpinScrub™ cleaner to wet clean sealed wood floors if any of these conditions exist.

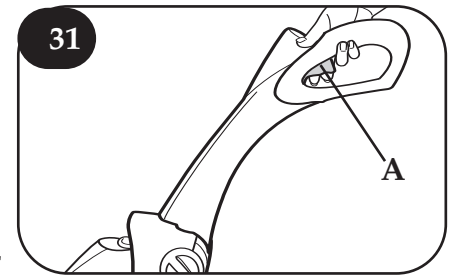
- 1 Set Mode selector dial to DRY VAC position and vacuum floor.
- 2 **Turn cleaner off and disconnect from electrical outlet.** Empty recovery tank (see Figs. 24 & 25). Determine the type of brushes to be used (either gray for ceramic and other tiles or white for vinyl and sealed wood floors). See "Cleaning the brushes" for removing and replacing brushes.
- 3 Fill solution tank with either Floor to Floor Cleaning Concentrate or Grout Cleaner*, depending upon the type of floor being cleaned, and water (see Figs. 17 through 23).

Do not use solvent based cleaning concentrates in your cleaner. Do not use any type of wax in your cleaner.

- 4 Turn Mode selector dial to WASH position.
- 5 Dry hands and **plug cleaner into a properly grounded outlet.**
- 6 Step on handle release pedal and lower handle to operating position. Turn cleaner ON.

- 7 To release solution, squeeze trigger (A) (Fig. 31). **Slowly** move cleaner forward and backward over area to be cleaned. Squeeze trigger to release solution as needed.

Overlap strokes by one inch to help prevent streaking. The cleaner's suction will pick up the dirty solution throughout cleaning.



- 8 **To greatly enhance drying of the floor surface,** release trigger and turn Mode selector dial to the WET PICKUP position. Continue to move cleaner over the area to pick up the dirty solution.
- 9 To continue cleaning another area, turn Mode selector dial to WASH position. Repeat steps 7 through 9.

Note: When cleaning sealed wood floors, make sure all areas are completely dry. Ensure that no water remains on the floor.

Note: When switching between wet cleaning and wet pickup, it is not necessary to turn the cleaner off. Simply move the Mode selector dial between the two settings.

- 10 Empty recovery tank or clean the filter when the motor sound becomes higher in pitch and there is a loss of suction (see "Automatic shut-off" section).

*Available at additional cost if not included with your model.

Picking up spills

Your cleaner may also be used to pick up **small liquid spills (1 quart or less, never to exceed 1/4 inch in depth)** on non-carpeted floors. Turn Mode selector dial to the WET PICKUP position and release the trigger. Continue to move cleaner over the area to pick up the spill.

Do not use the cleaner to pick up flammable or combustible liquids or chemicals. do not use the cleaner to pick up detergents that contain solvent based ingredients.

Storing the cleaner

Before storing cleaner:

Turn cleaner OFF and disconnect from electrical outlet.

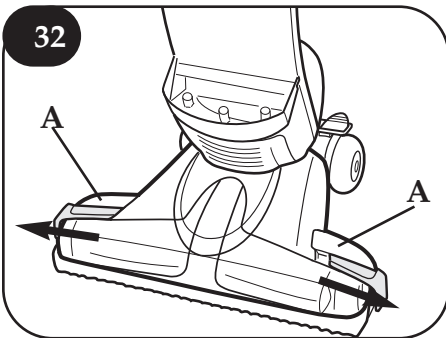
- Empty and rinse solution and recovery tanks. Allow to air dry.
- Press on upper handle release button to lower handle for storage.
- Make sure that nothing is pressing on the nozzle squeegee.
- Do not store cleaner on a wood surface unless cleaner is **completely dry**.

Maintenance

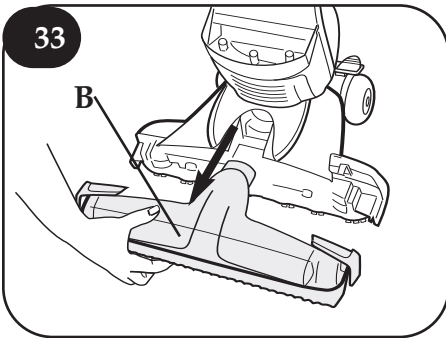
Cleaning the nozzle

Turn cleaner OFF and disconnect from electrical outlet.

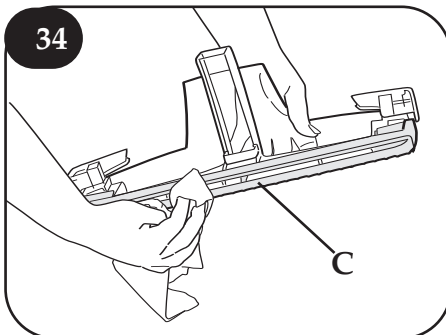
The cleaner's nozzle can be removed for easy cleaning.



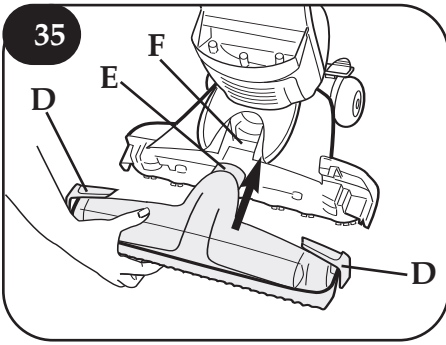
- 32 Slide the two nozzle release latches (A) outward.



- 33 Remove nozzle (B) by pulling straight out.

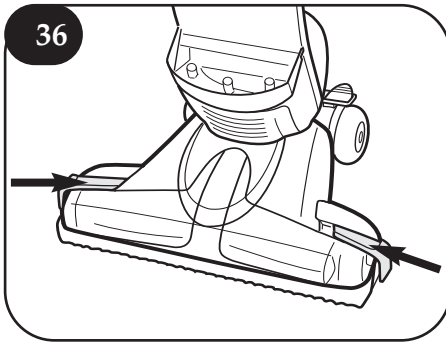


- 34 Rinse nozzle under running water. Remove debris from squeegee (C) and wipe with a damp cloth.



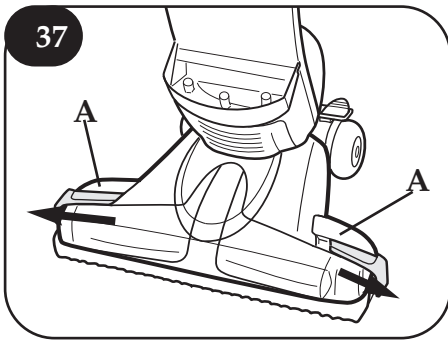
35 To replace nozzle, make sure latches (D) are out.
Cleaner should be in the upright position for easier assembly of the nozzle.

Align middle section (E) of nozzle with opening (F) on cleaner.



36 While holding nozzle in place, slide latches inward to lock in place.





Cleaning the brushes

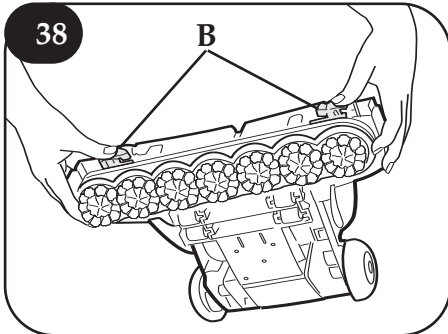
The brush assembly can be removed for easy cleaning.

Turn cleaner OFF and disconnect from electrical outlet.

Place handle in the upright position.

Remove tanks to prevent leaking. Set aside.

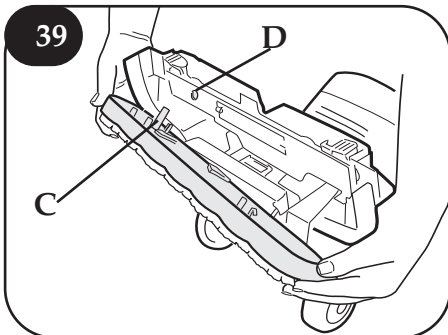
37 Pull the two nozzle release buttons (A) out. Remove nozzle.



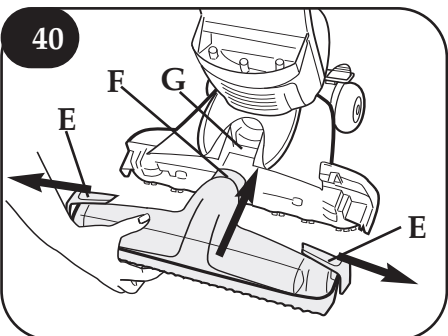
Tilt cleaner back so handle rests on floor.

38 Push two brush release buttons (B) and remove the brush assembly.

The brushes can be washed with a mild detergent and rinsed. Do not use a solvent based detergent.

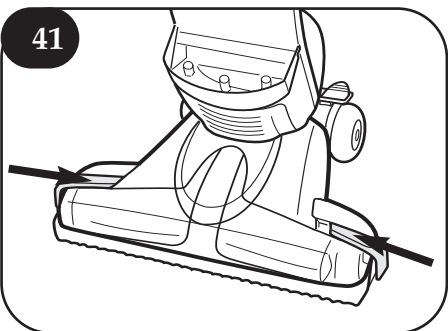


39 To replace brushes, align post (C) on brush block with hole (D) on bottom of cleaner. Turn brushes slightly until post fits easily into hole. Press brush assembly firmly to snap into place.



40 Return cleaner to upright position. Replace nozzle, making sure latches (E) are out.

Align middle section (F) of nozzle with opening (G) on cleaner.



41 While holding nozzle in place, slide latches inward to lock in place.

Replace tanks.

Troubleshooting

Use the list below to help solve minor problems.

What's the problem?	What to do
Cleaner won't run	<ul style="list-style-type: none"> ✓ Make sure the cleaner is plugged in firmly. ✓ Check the fuse or breaker.
Low suction	<ul style="list-style-type: none"> ✓ Empty the recovery tank; it may be full and the automatic shut-off engaged. ✓ Make sure filter and filter lid are properly positioned. ✓ Make sure tanks are locked in place. ✓ Check the filter and clean if dirty. ✓ Make sure nozzle is replaced properly and locked.
Water puddling behind cleaner	<ul style="list-style-type: none"> ✓ Use recommended detergents to reduce excess foaming. ✓ Make sure solution tank is installed properly. ✓ Empty recovery tank.
Won't pick up dirty solution	<ul style="list-style-type: none"> ✓ Check Mode selector dial to ensure it is set for WET PICKUP. ✓ Make sure recovery tank is installed properly. ✓ Empty recovery tank. ✓ Make sure filter and filter lid are properly positioned.
Cleaner pushes a line of dry debris in front of it	<ul style="list-style-type: none"> ✓ Check Model selector dial to ensure it is set for DRY VAC. ✓ Tip nozzle off floor by pushing down on handle to pick up debris that is too large to clear the squeegee.
Cleaning solution won't dispense	<ul style="list-style-type: none"> ✓ Make sure solution tank is locked in position. ✓ Refill the solution tank if it is empty.
Brushes won't rotate	<ul style="list-style-type: none"> ✓ Check Mode selector dial to ensure it is set for WASH. ✓ Reset circuit breaker. <ol style="list-style-type: none"> (1) Push ON/OFF switch to turn cleaner OFF. (2) Unplug the cleaner. (3) Wait one minute. (4) Plug the cleaner into electrical outlet. (5) Push the ON/OFF switch again to turn cleaner ON. <p>If the brushes continue to stall and the breaker trips again, clean the brushes to remove debris.</p>

Continued → 17

Lubrication

The motor is equipped with bearings which contain sufficient lubrication for the life of the motor. The addition of lubricant could cause damage. **Do not add lubricant to motor bearings.**

Service

To obtain approved HOOVER service and genuine HOOVER parts, locate the nearest Hoover Sales and Service Center or Authorized Hoover Warranty Service Dealer (Depot) by:

- ✓ Checking the Service Section of Hoover on-line at hoover.com OR
- ✓ Checking the Yellow Pages under “Vacuum Cleaners - Household” OR
- ✓ Calling 1-800-944-9200 for an automated referral of authorized service outlet locations (U.S. only)

Do not send your cleaner to Hoover in Glenwillow, Ohio for service; this will only result in delay.

If further assistance is needed, contact the Hoover Consumer Response Center,
Phone: 1-800-263-6376 Mon-Fri 8am-7pm EST.

In Canada, contact Hoover Canada, Carson Building, 100 Carson St., Etobicoke, Ontario M8W 3R9 Phone: 1-800-263-6376 Mon-Fri 8am-7pm EST.

Always identify your cleaner by the complete model number when requesting information or ordering parts. (The model number appears on the back of the cleaner.)

Full One Year Warranty

(Domestic Use)

Your HOOVER® appliance is warranted in normal household use, in accordance with the Owner's Manual against original defects in material and workmanship for a period of one full year from date of purchase. This warranty provides, at no cost to you, all labor and parts to place this appliance in correct operating condition during the warranted period. This warranty applies when the appliance is purchased in the United States including its territories and possessions, or in Canada or from a U. S. Military Exchange. Appliances purchased elsewhere are covered by a limited one year warranty which covers the cost of parts only. This warranty does not apply if the appliance is used in a commercial or rental application.

This warranty only applies when the product is in use in the country or territory in which it is purchased.

Warranty service can only be obtained by presenting the appliance to one of the following authorized warranty service outlets. Proof of purchase will be required before service is rendered.

1. Hoover Sales and Service Centers.
2. Hoover Authorized Warranty Service Dealers (Depots).

For an automated referral of authorized service outlets in the U.S.A., phone 1-800-944-9200 OR visit Hoover on-line at hoover.com

This warranty does not cover pick up delivery, or house calls; however, if you mail your appliance to a Hoover Sales and Service Center for warranty service, transportation will be paid one way.

While this warranty gives you specific legal rights, you may also have other rights which vary from state to state.

If further assistance is needed, or if there are questions concerning this warranty or the availability of warranty service outlets, write or phone the Consumer Response Center, Phone 1-800-263-6376 Mon-Fri 8am-7pm EST.

In Canada, contact Hoover Canada, Carson Building, 100 Carson St., Etobicoke, Ontario M8W 3R9 Phone: 1-800-263-6376 Mon-Fri 8am-7pm EST.

HOOVER®

Limpiadora
para pisos de
superficie dura
FloorMate™
SpinScrub™

ENGLISH → pp. 1-19
ESPAÑOL → pág. 20-31
FRANÇAIS → p. 32-43

Instrucciones para conexión a tierra

Este aparato debe tener conexión a tierra. Si llegara a funcionar mal o a descomponerse, la conexión a tierra da un camino de menor resistencia a la corriente eléctrica para reducir el riesgo de choque eléctrico. Este aparato está equipado con un cordón que tiene un conductor (C) para conectar a tierra el equipo y un enchufe con conexión a tierra (A). El enchufe se debe conectar a una toma de corriente adecuada (B) que esté instalada y conectada a tierra adecuadamente, de acuerdo a los códigos y ordenanzas locales.

PELIGRO-

La conexión inadecuada del conductor para conectar a tierra el equipo puede dar como resultado que haya riesgo de un choque eléctrico. Consulte con un electricista calificado o personal de servicio si tiene dudas sobre si la toma de corriente está conectada adecuadamente. No modifique el enchufe que viene con el aparato; si no encaja en la toma de corriente haga que un electricista calificado instale una toma de corriente adecuada. Este aparato es para usarse en un circuito con tensión nominal de 120 voltios y tiene un enchufe de conexión a tierra con el aspecto que se ilustra en el diagrama (A).

Si no se dispone de una toma de corriente conectada a tierra adecuadamente, se puede usar un adaptador temporal (D) para conectar este enchufe a un receptáculo de 2 polos (E). El adaptador temporal se debe usar solamente hasta que un electricista calificado pueda instalar una toma de corriente conectada a tierra adecuadamente (B). La orejuela verde y rígida, el terminal o el dispositivo similar (F) que sale del adaptador se debe conectar a una conexión a tierra permanente (G) como puede ser la tapa de la caja de una toma de corriente conectada a tierra adecuadamente. Cuando se use el adaptador, se debe mantener en su lugar con un tornillo de metal. **NOTA:** El Código de electricidad de Canadá no permite el uso de adaptadores temporales.

© 2007 Hoover, Inc.
hoover.com

¡Salvaguardias importantes!

Al usar un aparato eléctrico, observe siempre las precauciones básicas, incluyendo las siguientes:

LEA TODAS LAS INSTRUCCIONES ANTES DE USAR ESTE APARATO.

ADVERTENCIA

Para reducir el riesgo de incendios, choques eléctricos o lesiones:

- Úsela sólo en el interior.
- Úsela solamente en superficies humedecidas por el proceso de limpieza o para derrames pequeños. No la sumerja.
- Para usarse en pisos expuestos o pisos de madera sellados. NO es para usarse en alfombras.
- Instale siempre el flotador antes de cualquier operación para recoger líquidos.
- Es necesaria una supervisión estricta cuando cualquier aparato es utilizado por los niños o cerca de ellos. No permita que la limpiadora sea usada como un juguete ni que funcione sin atención en ningún momento.
- Mantenga el cabello, la ropa holgada, los dedos de las manos y pies y todas las partes del cuerpo alejados de las aberturas y las piezas en movimiento.
- No recoja nada que se esté quemando o echando humo, como cigarrillos, cerillos o cenizas calientes.
- No recoja ni use materiales inflamables o combustibles como gasolina o restos de madera lijada, ni use el aparato en áreas donde puedan estar presentes estos materiales.
- Evite recoger objetos duros o afilados con la limpiadora. Éstos pueden dañar el aparato.
- No coloque ningún objeto en las aberturas. No la use con ninguna abertura obstruida; manténgala libre de polvo, pelusa, cabello o cualquier cosa que pueda reducir el flujo de aire.
- No la tire ni la transporte por el cordón, ni tampoco use el cordón como mango, no cierre la puerta sobre el cordón ni tire del mismo alrededor de los bordes afilados ni esquinas. No pase el aparato sobre el cordón. Mantenga el cordón alejado de las superficies calientes.
- Desenchufe siempre el cordón de la toma de corriente eléctrica antes de prestar servicio a la limpiadora.
- Desenchufe el cordón cuando la limpiadora no esté en uso. Antes de desenchufarla, apague todos los controles.
- No la desenchufe tirando del cordón. Para desenchufarla, sujete el enchufe y no el cordón.
- Nunca toque el enchufe ni el aparato con las manos mojadas.
- Conéctela solamente a una toma de corriente con conexión a tierra adecuada. Vea las "Instrucciones para conexión a tierra".
- No limpie sobre tomas de corriente eléctricas que estén en el piso.
- No la use sin que los tanques estén en su lugar.
- Tenga especial cuidado al limpiar escaleras. No coloque la limpiadora sobre los escalones.
- No se recomienda el uso de cordones de extensión. Si es indispensable usar un cordón de extensión debe tener por lo menos tres alambres de grosor 16 con enchufe de tres patillas con conexión a tierra y un receptáculo de tres polos que acepte ese tipo de enchufe.
- Mantenga los detergentes y otros limpiadores fuera del alcance de los niños.
- No la use para recoger lejía, líquidos para destupir, gasolina ni ningún otro material tóxico.
- Cuando use sustancias químicas recomendadas con esta máquina, cerciórese de que el área esté bien ventilada.
- Siga las instrucciones del fabricante para todas las sustancias químicas que se usan con esta máquina. No debe exceder las proporciones de mezcla recomendadas.
- Guárdela en un lugar seco. No exponga la máquina a temperaturas de congelación.
- No use el aparato si el cordón o el enchufe está dañado. Si el aparato no está funcionando apropiadamente, se ha dejado caer, ha sido dañado, se ha dejado a la intemperie o se ha dejado caer en agua, llévelo a un Centro de ventas y servicio de Hoover o al Concesionario autorizado de servicio de garantía de Hoover.
- Use la limpiadora solamente para lo que ha sido diseñada según se describe en las instrucciones.

ADVERTENCIA:

Este producto contiene sustancias químicas conocidas en el estado de California por ser causantes de cáncer. **LÁVESE LAS MANOS DESPUÉS DE MANIPULARLO.**

¡Guarde estas instrucciones!

Contenido

Salvaguardias importantes	20
Contenido de la caja	21
Descripción de la limpiadora	22
Ensamblado	
Ensamblado del mango	23
Ensamblado de las escobillas/boquilla	23
Uso general	
Selector de modo	24
Tanque para la solución ..	24-25
Tanque de recuperación	25
Apagado automático	25
Limpieza de los filtros	26
Cómo limpiar	
Secuencia recomendada de limpieza	26
Limpieza de pisos	27
Para recoger derrames	28
Almacenamiento	28
Mantenimiento	
Limpieza de la boquilla	28
Limpieza de las escobillas	29
Identificación y solución de problemas	30
Servicio	31
Garantía	31

Para comunicarse con nosotros:

- hoover.com
- 1-800-944-9200 - localizador automatizado de concesionarios de servicio
- 1-800-263-6376 - nuestro Centro de respuesta al cliente (lunes a viernes de 8 de la mañana a 5 de la tarde)

Anote y guarde

Para sus archivos, anote el número en el espacio provisto. Estos números se encuentran en la etiqueta de datos que está en la parte posterior del cuerpo de la limpiadora.

Número de modelo _____

Número de serie _____

Guarde su recibo de compra y adjúntelo a este manual. Para obtener el servicio de garantía de su limpiadora puede requerirse un comprobante de la fecha de compra.

USE ESTAS INSTRUCCIONES EN ESPAÑOL JUNTO CON LAS FIGURAS PASO-A-PASO PROVISTAS EN EL MANUAL DE INGLÉS.

Contenido de la caja

- A. Limpiadora para pisos de superficie dura
- B. Mango superior
- C. Conjunto de escobillas*
- D. Boquilla
- E. Concentrados de limpieza para pisos

*Para limpiar cerámica y otros azulejos, algunos modelos incluyen un conjunto de escobillas para lechada con cerdas grises y limpiador para lechada



Descripción de la limpiadora

Este manual del usuario se aplica tanto a los modelos de 6 escobillas como a los de 7.

1 Características

1. Asidero suave de mano
2. Interruptor de encender y apagar (ON/OFF)
3. Gatillo para dispensar la solución: se aprieta para dispensarla solución de limpieza
4. Selector de modo: enciende las escobillas para limpieza en mojado o las apaga para recoger líquidos y para aspirar en seco
5. Tapa del tanque para la solución de limpieza/taza para medir
6. Tanque para la solución de limpieza
7. Traba para soltar el tanque para la solución de limpieza
8. Traba para soltar el tanque de recuperación
9. Tapa y filtro del tanque de recuperación
10. Tanque de recuperación: capta residuos secos así como solución de limpieza sucia
11. Botones para soltar la boquilla: sueltan la boquilla para facilitar su limpieza (se encuentran detrás de la boquilla)
12. Boquilla
13. Escurredor (bajo la boquilla)
14. Parachoques
15. Ruedas con banda de rodadura blanda
16. Mango para transportar
17. Botón para soltar el mango superior
18. Ganchos para el cordón: el gancho superior gira para soltar el cordón con rapidez
19. Pedal para soltar el mango

Esta limpiadora ha sido diseñada para uso doméstico.

Haga funcionar la limpiadora solamente con el voltaje especificado en la placa de datos que se encuentra en su parte posterior. Enchufe la limpiadora en una toma de corriente conectada a tierra adecuadamente.

Ensamble el mango

- 2 Gire el soporte del mango inferior (A) hacia la posición vertical hasta que sienta que encaja.
- 3 Alinee la varilla de control (B) del mango superior (C) con la ranura del soporte del mango inferior (D).
- 4 **Presione completamente hacia abajo el mango superior (C) hasta que escuche que ha encajado en su lugar.**

Instale las escobillas y la boquilla

- 5 Para instalar las escobillas, coloque el mango en la posición vertical. Incline la limpiadora de pisos hacia atrás para que descansa sobre el piso.
Alinee el poste (A) del bloque de escobillas con el agujero (B) de la parte inferior de la limpiadora de pisos. Gire las escobillas ligeramente hasta que el poste se encaje con facilidad en el agujero.
- 6 Haga presión sobre el conjunto de escobillas para encajarlo en su lugar.
- 7 Para instalar la boquilla, asegúrese de que las tabas (C) estén sacadas.
Alinee la sección central (D) de la boquilla con la abertura (E) de la limpiadora para pisos.
Saque el material de embalaje de cartón del área del escurridor, debajo de la boquilla.
- 8 Mientras mantiene la boquilla en su lugar, mueva las trabas hacia el interior para trabarlas en su lugar.

Desdoble el mango

- 9 Levante el mango superior (A) a la posición vertical hasta que se trabe en su lugar.

Cómo doblar el mango

- 10 Presione el botón para soltar el mango superior (B) para doblar el mango a la posición de almacenamiento.

Pedal para soltar el mango

- 11 Pise el pedal (A) para bajar el mango a la posición de funcionamiento. El mango no se queda trabado en una sola posición sino que "flota" para permitir un funcionamiento cómodo.

Interruptor de encender y apagar

- 12 Empuje el interruptor (A) una vez para encender la limpiadora. Empújelo de nuevo para apagarla.

Transporte

- 13 Para mover la limpiadora de una habitación a otra, coloque el mango en la posición vertical, incline la limpiadora hacia atrás sobre las ruedas traseras y empújela hacia delante.
- 14 La limpiadora también se puede levantar usando el mango para transportar (A) en la parte delantera de la limpiadora.

Uso general

Su limpiadora HOOVER FloorMate™ SpinScrub™ se puede usar tanto para aspirar residuos secos como para limpiar con líquidos las superficies de pisos sin alfombras, tales como los pisos de vinilo, de azulejos, de mármol y de madera sellados. **No debe usarse en alfombras de pared a pared ni de área**

PRECAUCIÓN: Para evitar daños en pisos de madera, siga las recomendaciones de limpieza del fabricante del piso.

Si usa la limpiadora en pisos de madera sellados, inspeccione la superficie del piso en busca de acabados gastados, madera expuesta o juntas separadas. No use la limpiadora FloorMate™ SpinScrub™ para limpiar con líquidos los pisos de madera sellados si existe cualquiera de estas condiciones.

Selector de modo

- 15 El selector de modo (A) enciende y apaga las escobillas.
- 16 **Para recoger desperdicios secos**, gire el selector a la posición DRY VAC (PARTÍCULAS SÓLIDAS). En esta posición, las escobillas no giran y no tocan la superficie del piso.
Para limpiar con líquidos con las escobillas encendidas, gire el selector a la posición WASH (LAVAR).
Para recoger líquidos, gire el selector a la posición WET PICKUP (RECOGER LÍQUIDOS).
Consulte la sección “Cómo limpiar” para conocer las instrucciones de limpieza completas.

Los tanques

Tanque para la solución (superior)

El tanque para la solución guarda el detergente y el agua que se va a dispersar en la superficie que se va a limpiar.

Cómo llenarlo

Desconecte la limpiadora de la toma de corriente eléctrica.

Coloque el mango de la limpiadora en la posición vertical para que quede trabado.

- 17 Para sacar el tanque, apriete el botón para soltar y saque el tanque directamente hacia fuera.
Lleve el tanque a un fregadero.
- 18 Gire la tapa del tanque en el sentido contrario a las agujas del reloj y levántela para sacarla (A).
- 19 Voltee la tapa (A) para que sirva como taza para medir.
Para pisos de superficie dura, tales como **vinilo, linóleo, madera laminada, madera sellada con poliuretano u otros pisos de madera que normalmente se pueden limpiar con agua**, use la medida de una tapa (A) (60 mL [2 oz]) de limpiador para pisos HOOVER® Floor to Floor™ Cleaner.

Uso general (continúa)

Verifique que no haya lugares gastados ni separaciones de juntas antes de usar la limpiadora, ya que estas condiciones podrían ocasionar que el piso se dañe cuando use agua para limpiarlo.

Nota: Para limpiar cerámica y otros azulejos, algunos modelos incluyen un conjunto de escobillas para lechada con cerdas grises. Úselas para pisos de azulejos donde se necesita mayor atención para limpiar la lechada. (Vea la sección "Limpieza de las escobillas" para conocer cómo sacar y volver a colocar los conjuntos de las escobillas.)

Usando la tapa (A), mida 1 tapa y 1/2 (90 mL [3 oz]) de limpiador para lechada* HOOVER®.

*Se puede obtener a un costo adicional si no se incluye con su modelo.

NO use concentrados de limpieza que contengan ingredientes a base de solventes.

PRECAUCIÓN: El limpiador para lechada* HOOVER® no se pueden usar en productos SteamVac™ de Hoover. De lo contrario puede dañar su limpiadora SteamVac™.

*Se puede obtener a un costo adicional si no se incluye con su modelo.

- 20 Vierta el concentrado de limpieza en el tanque (B). Llene con agua tibia el tanque hasta la línea de llenado (C) (0,9 L [1 cuarto de galón]).
- 21 Si el anillo de caucho (D) en la tapa se ha salido, vuelva a colocarlo con el borde no uniforme contra el resalto (E) como se muestra.
- 22 Vuelva a colocar la tapa. Gire la tapa en sentido de las agujas del reloj hasta que se trabe en su lugar. Para tener un rendimiento adecuado y evitar fugas, la tapa debe estar trabada en su lugar.
- 23 Deslice el tanque hasta su posición hasta que la traba encaje en su lugar.

El tanque de recuperación

Apagado automático

El tanque de recuperación cuenta con un apagado automático de la succión para evitar que el tanque se desborde.

Cuando el apagado se active, la limpiadora no recogerá los residuos y el sonido del motor cambiará. El tanque de recuperación estará lleno y se deberá vaciar.

Cómo vaciarlo

Apague la limpiadora y desconéctela de la toma de corriente eléctrica. Aunque no es estrictamente necesario para un rendimiento satisfactorio, se recomienda vaciar el tanque de recuperación después de aspirar en seco y antes de usar con líquidos.

Revise también el tanque para la solución. Puede ser necesario volver a llenarlo en este momento.

- 24 Para sacar el tanque, apriete el botón para soltarlo (B) y saque el tanque directamente hacia fuera.
- 25 Saque la tapa del tanque (C). Vacíe el tanque.

Uso general (continúa)

Limpieza de los filtros

La tapa del tanque contiene un filtro lavable y reutilizable. Limpie este filtro tableado cuando la succión sea baja o se reduzca.

Apague la limpiadora y desconéctela de la toma de corriente eléctrica.

- 26** Saque el tanque de recuperación y la tapa (figuras. 24 y 25). Saque la tapa del filtro (A) y luego el filtro (B). Saque los residuos sueltos del filtro golpeándolo o cepillándolo suavemente con la mano. El filtro también se puede enjuagar para mayor limpieza. Deje secar el filtro al aire entre usos.

Vuelva a colocar el filtro.

- 27** Vuelva a colocar la tapa del filtro. Presione hacia abajo firmemente hasta que encaje en su lugar.

Los residuos secos o sueltos también se acumularán en la malla de filtración que se encuentra en la tapa del tanque.

- 28** Para sacar residuos de la malla, saque el filtro tableado de la tapa. Saque los residuos de la malla (D).

La malla de filtración también se puede limpiar enjuagándola en un chorro de agua.

Vuelva a colocar el filtro tableado en la tapa del filtro. Vuelva a colocar la tapa en el tanque de recuperación, presionándola firmemente hacia abajo hasta que encaje en su lugar.

- 29** Para volver a colocar el tanque de recuperación, coloque la parte inferior del tanque detrás del resalto (E) y empuje, derecho, el tanque hacia dentro del cuerpo de la limpiadora hasta que se trabe en su lugar.

Cómo limpiar

Secuencia recomendada de limpieza

Use su limpiadora HOOVER® FloorMate™ SpinScrub™ para:

- **Aspirar en seco** para sacar suciedad suelta, cabello y residuos.
- **Limpiar con líquidos** la superficie del piso. Las escobillas proporcionan una leve agitación para ayudar a soltar la suciedad.
- **Recoger líquidos** disminuye el tiempo de secado de la superficie del piso.

El **selector de modo** enciende y apaga las escobillas.

- 30** **Para recoger residuos secos**, gire el selector a la posición DRY VAC (A). En esta posición, las escobillas no giran y se despegan de la superficie del piso.

Para limpiar con líquidos con las escobillas encendidas, gire el selector a la posición WASH (B).

Para recoger líquidos, gire el selector a la posición WET PICKUP (C).

Cómo limpiar (continúa)

Limpieza de pisos

NOTA: Su limpiadora HOOVER® FloorMate™ SpinScrub™ se puede usar para limpiar pisos de madera que se hayan sellado con revestimiento de poliuretano y que se puedan limpiar con agua.

PRECAUCIÓN: Para evitar daños en pisos de madera, siga las recomendaciones de limpieza del fabricante del piso.

Si usa la limpiadora en pisos de madera sellados, inspeccione la superficie del piso en busca de acabados gastados, madera expuesta o juntas separadas. No use la limpiadora FloorMate™ SpinScrub™ para limpiar con líquidos pisos de madera sellados si existe cualquiera de estas condiciones.

- 1 Coloque el selector de modo en la posición DRY VAC y aspire el piso.
- 2 **Apague la limpiadora y desconéctela de la toma de corriente eléctrica.** Vacíe el tanque de recuperación (vea las figuras 24 y 25). Determine el tipo de escobillas que se usarán (ya sea gris [algunos modelos] para cerámica y otros azulejos, o blancas para vinilo y pisos de madera sellados). Vea “Limpieza de las escobillas” para sacar o volver a colocar las escobillas.
- 3 Llene el tanque para la solución con concentrado de limpieza Floor to Floor™ o limpiador para lechada*, dependiendo del tipo de piso que se va a limpiar, y agua (vea las figuras 17 a 23).
No use concentrados de limpieza a base de solventes en su limpiadora. No use ningún tipo de cera en su limpiadora.
- 4 Gire el selector de modo a la posición WASH.
- 5 Séquese las manos y **enchufe la limpiadora en una toma de corriente conectada a tierra adecuadamente.**
- 6 Pise el pedal para soltar el mango y baje el mango a la posición de funcionamiento. Encienda la limpiadora.
- 7 Para dispensar la solución, apriete el gatillo (A) (figura 31). Mueva la limpiadora **lentamente** hacia delante y hacia atrás sobre el área que va a limpiar. Apriete el gatillo para dispensar solución según la necesidad. Traslape las pasadas por una pulgada para evitar que quede veteada. La succión de la limpiadora recogerá la solución que se ha ensuciado en el proceso de limpieza.
- 8 **Para mejorar significativamente el secado de la superficie del piso,** suelte el gatillo y gire el selector de modo a la posición WET PICKUP. Siga moviendo la limpiadora sobre el área para recoger la solución sucia.
- 9 Para continuar limpiando otra área, gire el selector de modo a la posición WASH. Repita los pasos 7 a 9.

Nota: Cuando limpie pisos de madera sellados, asegúrese de que todas las áreas estén completamente secas. Asegúrese de que no haya quedado agua en el piso.
- 10 Vacíe el tanque de recuperación o limpie el filtro cuando el sonido del motor sea muy agudo y haya una pérdida de succión (vea la sección “Apagado automático”).
***Se puede obtener a un costo adicional si no se incluye con su modelo.**

Cómo limpiar (continúa)

Limpieza de pisos (continúa)

Para recoger derrames

Su limpiadora también se puede usar para recoger **pequeños derrames de líquidos (0,9 L [1 cuarto de galón] o menos, nunca debe exceder 6mm [1/4 de pulgada] de profundidad)** en pisos sin alfombras. Gire el selector de modo a la posición WET PICKUP y suelte el gatillo. Siga moviendo la limpiadora sobre el área para recoger el derrame.

NO use la limpiadora para recoger líquidos inflamables, combustibles ni sustancias químicas. No use la limpiadora para recoger detergentes que contengan ingredientes a base de solventes.

Para almacenar la limpiadora

Antes de guardar la limpiadora:

Apague la limpiadora y desconéctela de la toma de corriente eléctrica.

- Vacíe y enjuague los tanques para la solución y de recuperación. Déjelos que se sequen al aire.
- Presione el botón para soltar el mango superior con el fin de bajar el mango a la posición de almacenamiento.
- Asegúrese de que nada está presionando el escurridor de la boquilla.
- No guarde la limpiadora sobre una superficie de madera a menos que esté **completamente** seca.

Mantenimiento

Limpieza de la boquilla

Apague la limpiadora y desconéctela de la toma de corriente eléctrica.

La boquilla de la limpiadora se puede sacar para facilitar su limpieza.

32

Deslice hacia fuera las dos trabas (A) para soltar la boquilla.

33

Saque la boquilla (B) tirando directamente hacia fuera.

34

Enjuague la boquilla bajo un chorro de agua. Elimine los residuos del escurridor (C) y limpie con un paño húmedo.

35

Para volver a colocar la boquilla, asegúrese de que las trabas (D) estén afuera.

La aspiradora debe estar en posición vertical para facilitar el ensamblado de la boquilla.

Alinee la sección del medio (E) de la boquilla con la abertura (F) de la limpiadora.

36

Mientras sostiene la boquilla en su lugar, deslice las trabas hacia dentro para que se traben en su lugar.

Limpieza de las escobillas

El conjunto de las escobillas se puede sacar para facilitar su limpieza.

Apague la limpiadora y desconéctela de la toma de corriente eléctrica.

Coloque el mango en la posición vertical.

Saque los tanques para evitar fugas. Colóquelos a un lado.

37

Tire hacia fuera los dos botones (A) para soltar la boquilla. Saque la boquilla.

Incline la limpiadora hacia atrás para que el mango descansa en el piso.

38

Empuje los dos botones (B) para soltar la escobilla y saque el conjunto de escobillas.

Las escobillas se pueden lavar con un detergente suave y luego enjuagarse. No use detergentes a base de solventes.

39

Para volver a colocar las escobillas, alinee el poste (C) en el bloque de escobillas con el agujero (D) en la parte inferior de la limpiadora. Gire las escobillas ligeramente hasta que el poste se inserte con facilidad en el agujero. Presione el conjunto de las escobillas firmemente para encajarlo en su lugar.

40

Vuelva a colocar la limpia-dora en posición vertical. Vuelva a colocar la boquilla, asegurándose de que las trabas (E) estén fuera.

Alinee la sección del medio (F) de la boquilla con la abertura (G) de la limpiadora.

41

Mientras sostiene la boquilla en su lugar, deslice las trabas hacia dentro para que se traben en su lugar.

Vuelva a colocar los tanques.

Identificación y solución de problemas

Use la siguiente lista para ayudar a resolver problemas menores.

¿Cuál es el problema?	Lo que debe hacer
La limpiadora no funciona	<ul style="list-style-type: none"> ✓ Asegúrese de que la limpiadora esté bien enchufada. ✓ Revise el fusible o el disyuntor.
Poca succión	<ul style="list-style-type: none"> ✓ Vacíe el tanque de recuperación, puede estar lleno y el apagado automático estar activado. ✓ Asegúrese de que el filtro y su tapa estén bien colocados. ✓ Asegúrese de que los tanques estén trabados en su lugar. ✓ Revise el filtro y límpielo si está sucio. ✓ Asegúrese de que se volvió a colocar y de que se trabó bien la boquilla.
Hay un charco de agua detrás de la limpiadora	<ul style="list-style-type: none"> ✓ Use los detergentes recomendados para reducir el exceso de espuma. ✓ Asegúrese de que el tanque para la solución esté bien instalado. ✓ Vacíe el tanque de recuperación.
No recoge la solución sucia	<ul style="list-style-type: none"> ✓ Revise el selector de modo para garantizar que se encuentre en la posición WET PICKUP. ✓ Asegúrese de que el tanque de recuperación esté bien instalado. ✓ Vacíe el tanque de recuperación. ✓ Asegúrese de que el filtro y su tapa estén bien colocados.
La limpiadora lanza una línea de residuos secos delante de ella	<ul style="list-style-type: none"> ✓ Revise el selector de modo para verificar que se encuentre en la posición DRY VAC. ✓ Incline la boquilla empujando hacia abajo el mango para recoger residuos que son demasiado grandes para pasar el escurridor.
La máquina no dispensa la solución de limpieza	<ul style="list-style-type: none"> ✓ Asegúrese de que el tanque para la solución esté trabado en su lugar. ✓ Vuelva a llenar el tanque para la solución si está vacío.
Las escobillas no giran	<ul style="list-style-type: none"> ✓ Revise el selector de modo para verificar que se encuentre en la posición WASH. ✓ Reajuste el disyuntor. <ol style="list-style-type: none"> (1) Presione el interruptor de encendido y apagado para apagar la limpiadora. (2) Desconecte la aspiradora. (3) Espere un minuto. (4) Enchufe la aspiradora en la toma de corriente eléctrica. (5) Empuje de nuevo el interruptor de encender y apagar para encender la aspiradora Si las escobillas siguen calándose y el disyuntor se dispara de nuevo, limpie las escobillas para eliminar los residuos.

Lubricación

El motor tiene cojinetes que cuentan con suficiente lubricación para la vida útil del motor. La adición de lubricantes podría causar daños. **No añada lubricante a los cojinetes del motor.**

Servicio

Para obtener el servicio aprobado HOOVER y piezas genuinas HOOVER, localice el Centro de ventas y servicio de Hoover o el Concesionario autorizado de servicio de garantía de Hoover (depósito) más cercano:

- ✓ Consultando la sección "Service" (Servicio) de Hoover en línea en **hoover.com** O
- ✓ Consultando las páginas amarillas de la guía de teléfonos, bajo "Vacuum Cleaners-Household" ("Aspiradoras - Artículos del hogar") O
- ✓ Llamando al 1-800-944-9200 para obtener una referencia automatizada de las ubicaciones de los centros de servicio autorizados (solamente en EE.UU.)

No envíe su limpiadora a Hoover en Glenwillow, Ohio para obtener servicio; esto sólo resultará en demoras.

Si necesita asistencia adicional, comuníquese con Hoover Consumer Response Center, teléfono: 1-800-263-6376 lunes a viernes de 8 de la mañana a 5 de la tarde.

En Canadá, comuníquese con Hoover Canada, Carson Building, 100 Carson St., Etobicoke, Ontario M8W 3R9 teléfono: 1-800-263-6376 lunes a viernes de 8 de la mañana a 5 de la tarde.

Al solicitar información u ordenar piezas, siempre identifique su limpiadora por el número completo de modelo. (El número de modelo figura en la parte posterior de la limpiadora.)

Garantía de un año completo

(Uso doméstico)

Su aparato HOOVER® está garantizado para uso doméstico normal, según el Manual del propietario, contra defectos originales en el material y la fabricación por el período de un año completo a partir de la fecha de compra. La presente garantía cubre gratuitamente toda la mano de obra y las piezas necesarias para dejar este aparato en buen estado de funcionamiento durante el período de garantía. Esta garantía es válida si el aparato fue comprado en los Estados Unidos, en sus territorios y posesiones, en Canadá o en una tienda situada en una base militar de los EE.UU. Los aparatos comprados en otros lugares están cubiertos por una garantía limitada de un año que cubre solamente el costo de las piezas. Esta garantía no es válida si el aparato es utilizado para uso comercial o de alquiler.

Esta garantía solamente es válida cuando el producto se usa en el país o territorio en el cual fue comprado.

El servicio bajo garantía se puede obtener solamente al presentar el aparato en uno de los centros autorizados de servicio de garantía indicados a continuación. Puede requerirse la presentación de un comprobante de compra antes de efectuar el servicio.

1. Centros de ventas y servicio de Hoover
2. Concesionarios autorizados de servicio de garantía de Hoover (Depósitos).

Para obtener una referencia automatizada de las ubicaciones de los centros autorizados de servicio en los Estados Unidos, llame al 1-800-944-9200 O

visite Hoover en línea en hoover.com

Esta garantía no cubre la recogida, la entrega, ni las visitas a domicilio; sin embargo, si envía su aparato a un Centro de Ventas y Servicio de Hoover para un servicio de garantía, el transporte se pagará en una sola dirección.

Esta garantía le otorga derechos legales específicos, usted puede tener además otros derechos que varían de estado a estado.

Si necesita asistencia adicional o si tiene preguntas sobre esta garantía, o la disponibilidad de centros de servicio de garantía, escriba o llame al Centro de respuesta al cliente, Consumer Response Center, Teléfono 1-800-263-6376 lunes a viernes de 8 de la mañana a 5 de la tarde.

En Canadá, comuníquese con Hoover Canada, Carson Building, 100 Carson St., Etobicoke, Ontario M8W 3R9 teléfono: 1-800-263-6376 lunes a viernes de 8 de la mañana a 5 de la tarde.

HOOVER^{MD}

Aspirateur eau
et poussière
pour sol dur
FloorMate^{MC}
SpinScrub^{MC}

ENGLISH → pp. 1-19

ESPAÑOL → pág. 20-31

FRANÇAIS → p. 32-43

Instructions de mise à la terre

Cet appareil doit être mis à la terre. En cas de défectuosité ou de panne de l'appareil, la mise à la terre assure une autre voie de circulation au courant électrique, ce qui réduit considérablement le risque de choc électrique. Cet appareil comporte un conducteur de mise à la terre (C) et une fiche avec mise à la terre (A). Cette fiche doit être branchée dans une prise de courant conforme (B), installée et mise à la terre conformément aux codes et règlements locaux.

DANGER-

Un mauvais branchement de la fiche peut augmenter le risque de choc électrique. En cas de doute quant à la bonne mise à la terre de l'installation, consulter un électricien qualifié ou du personnel de service. Ne pas modifier la fiche fournie avec l'appareil. Si elle n'est pas compatible avec la prise de courant, demander à un électricien qualifié de changer la prise. Cet appareil a été conçu pour une tension de 120 volts et est équipé d'une fiche semblable à celle illustrée (A).

Si une prise de courant avec mise à la terre n'est pas disponible, un adaptateur temporaire (D) peut être utilisé pour brancher l'appareil à une prise à deux trous (E). Cet adaptateur ne doit être utilisé que sur une base temporaire, soit jusqu'à l'installation d'une prise appropriée (B) par un électricien qualifié. La patte rigide verte (F) ou la pièce semblable qui dépasse de l'adaptateur doit être raccordée en permanence à un dispositif de mise à la terre (G), tel que le couvercle d'une boîte de sortie. Si l'adaptateur est utilisé, il doit toujours être maintenu en place par une vis métallique. **REMARQUE :** Au Canada, le Code national de l'électricité interdit l'utilisation d'adaptateurs temporaires.

© 2007 Hoover, Inc.
hoover.ca

Consignes de sécurité importantes !

Durant l'utilisation d'un appareil électrique, toujours respecter les précautions élémentaires, y compris les consignes suivantes :
LIRE TOUTES LES INSTRUCTIONS AVANT D'UTILISER CET APPAREIL.

AVERTISSEMENT :

Afin de réduire au minimum les risques d'incendie, de choc électrique ou de blessures :

- N'utiliser qu'à l'intérieur.
- N'utiliser que sur des surfaces déjà rendues humides par le procédé de nettoyage ou sur de petites quantités de liquide renversé. Ne pas immerger l'appareil.
- Utiliser sur les planchers à surface dure ou en bois imprégné. NE PAS utiliser sur des tapis.
- Toujours installer le flotteur avant d'effectuer toute opération de ramassage de liquides.
- Faire preuve d'une grande prudence lorsque l'appareil est utilisé par des enfants ou près de ceux-ci. Ne pas utiliser l'aspirateur comme jouet, ni le laisser sans surveillance.
- Garder les cheveux, vêtements, doigts, pieds ou toute autre partie du corps à bonne distance des ouvertures et des pièces mobiles.
- Ne pas utiliser l'appareil pour ramasser des matières qui dégagent de la fumée ou qui brûlent, comme des cigarettes, des allumettes ou des cendres encore chaudes.
- Ne pas utiliser ou ramasser des liquides inflammables ou combustibles comme de l'essence ou de la sciure de bois, et ne pas utiliser l'appareil dans des endroits où de tels composés pourraient être présents.
- Éviter d'aspirer des objets durs et acérés. Ils pourraient endommager l'appareil.
- Ne pas introduire d'objets dans les ouvertures. S'assurer qu'aucune ouverture n'est obstruée; garder celles-ci exemptes de poussière, de peluches, de cheveux et de toute autre matière qui pourrait réduire le débit d'air.
- Ne pas tirer l'appareil par le cordon d'alimentation, utiliser le cordon pour transporter ou soulever l'appareil, coincer, écraser ou tirer le cordon autour de coins ou d'arêtes vives. Ne pas faire passer l'appareil sur le cordon. Garder le cordon loin de toute surface chauffée.
- Toujours débrancher l'appareil avant d'en faire l'entretien.
- Débrancher l'appareil s'il n'est pas utilisé. Éteindre toutes les commandes avant de débrancher l'appareil.
- Ne pas tirer sur le cordon d'alimentation pour débrancher l'appareil. Saisir la fiche et non le cordon.
- Ne jamais manipuler la fiche ou l'appareil avec les mains mouillées.
- Ne brancher qu'à une prise de courant correctement mise à la terre. Consulter la section « Instructions de mise à la terre ».
- Ne pas passer l'appareil sur des prises de courant au sol.
- Ne pas utiliser l'appareil si les réservoirs ne sont pas en place.
- Faire preuve d'une grande prudence pendant l'utilisation dans des escaliers. Ne pas placer l'appareil sur les marches de l'escalier.
- L'utilisation d'une rallonge n'est pas recommandée. Si elle est absolument nécessaire, employer une rallonge de calibre 16 à 3 fils, munie d'une fiche à 3 broches et d'une prise de courant à 3 trous compatible avec la fiche de l'appareil.
- Garder les détergents et autres produits nettoyants hors de la portée des enfants.
- Ne pas utiliser cet appareil pour ramasser des produits de blanchiment au chlore, des nettoyants de tuyaux d'écoulement, de l'essence ou toute autre matière toxique.
- Durant l'utilisation de produits chimiques recommandés pour cet appareil, s'assurer que la zone de travail est bien aérée.
- Respecter les instructions du fabricant pour tous les produits chimiques utilisés avec cet appareil. Ne pas dépasser les rapports de mélange recommandés.
- Ranger dans un endroit sec. Ne pas exposer l'appareil à des températures inférieures au point de congélation.
- Ne pas utiliser si la fiche ou le cordon sont endommagés. Si l'appareil fonctionne mal, s'il est tombé par terre ou dans l'eau, s'il est endommagé ou a été laissé à l'extérieur, il doit être apporté à un Centre de vente et de service Hoover ou chez un détaillant de service garanti autorisé Hoover.
- N'utiliser l'appareil que selon le but dans lequel il a été conçu, et conformément aux instructions du fabricant.

AVERTISSEMENT:

Cet appareil contient des produits chimiques reconnus dans l'état de Californie pour causer le cancer. **SE LAVER LES MAINS APRÈS L'AVOIR MANIPULÉ.**

Ranger et conserver ces instructions !

Contenu

Consignes de sécurité importantes	32
Contenu de l'emballage	33
Description de l'aspirateur	34
Assemblage	
Montage du manche	35
Assemblage des brosses/ de l'embout	35
Utilisation générale	
Cadran sélecteur	36
Réservoir à solution	36-37
Réservoir de récupération ...	37
Arrêt automatique	37
Nettoyage des filtres	38
Nettoyage	
Séquence de nettoyage recommandée	38
Nettoyage des planchers	39
Ramassage de liquides renversés	40
Rangement	40
Entretien	
Nettoyage de la buse	40
Nettoyage des brosses	41
Dépannage	42
Service	43

Pour nous contacter :

- hoover.ca
- 1-800-944-9200 -
service automatisé de
localisation des
Centres de service
- 1-800-263-6376 -
Centre d'aide
à la clientèle
(de 8:00 à 17:00 du
lundi au vendredi)

Remplir et conserver

Veillez inscrire les numéros de modèle et de série dans les espaces fournis à cet effet. Ces numéros sont inscrits sur l'étiquette apposée à l'arrière de l'appareil.

Modèle n° _____

N° de série _____

Veillez conserver votre reçu de caisse et le fixer à ce manuel, car une vérification de la date d'achat peut être effectuée avant toute réparation couverte par la garantie de votre appareil.

**UTILISER LES INSTRUCTIONS
NUMÉROTÉES DE CETTE SECTION
FRANÇAISE AVEC LES ILLUSTRATIONS
NUMÉROTÉES CORRESPONDANTES DE LA
SECTION ANGLAISE DE CE GUIDE.**

Contenu de l'emballage

- A. Aspirateur pour sol dur
- B. Partie supérieure du
manche
- C. Ensemble de brosses
- D. Buse
- E. Nettoyants concentré pour
plancher

*Certains modèles comportent un ensemble de brosses à ciment avec soies grises pour le nettoyage de carrelage en céramique ou autre et nettoyeur à ciment



Description de l'aspirateur

Ce manuel de l'utilisateur présente les modèles avec 6 ou 7 brosses.

1 Caractéristiques

1. **Poignée-confort**
2. **Interrupteur Marche/Arrêt**
3. **Gâchette d'application de solution** : appuyer sur la gâchette pour libérer de la solution de nettoyage
4. **Cadran sélecteur** : active les brosses pour le nettoyage humide et les désactive pour le ramassage de liquide et le ramassage à sec
5. **Capuchon/doseur du réservoir à solution propre**
6. **Réservoir à solution propre**
7. **Dispositif de dégagement du réservoir à solution propre**
8. **Dispositif de dégagement du réservoir de récupération**
9. **Couvercle et filtre du réservoir de récupération**
10. **Réservoir de récupération** : ramasse les débris secs et la solution de nettoyage sale
11. **Boutons de dégagement de la buse** : dégager la buse pour faciliter son nettoyage (situés derrière la buse)
12. **Buse**
13. **Raclette** (située sous la buse)
14. **Pare-chocs**
15. **Roues ne laissant pas de marque**
16. **Poignée de transport**
17. **Bouton de dégagement du manche**
18. **Crochets de rangement du cordon** : le crochet supérieur tourne pour dégager rapidement le cordon
19. **Pédale de déblocage du manche**

Cet aspirateur est destiné à une utilisation domestique seulement.

N'utiliser l'aspirateur qu'à la tension spécifiée sur la plaque signalétique située à l'arrière de l'appareil. Brancher l'aspirateur dans une prise de courant correctement mise à la terre.

Montage du manche

- 2 Faire tourner le support inférieur du manche (A) pour qu'il soit en position verticale jusqu'à ce qu'il y ait un déclic.
- 3 Aligner la tige de contrôle (B) de la partie supérieure du manche (C) avec les fentes du support inférieur du manche (D).
- 4 Pousser la partie supérieure du manche (C) complètement vers le bas jusqu'à ce qu'elle s'enclenche en place.

Installer les brosses et l'embout

- 5 Pour installer les balais, placer le manche en position verticale. Incliner la shampouineuse de façon à ce qu'elle repose sur le plancher. Aligner le poteau (A) du module de brossage avec le trou (B) au bas de l'appareil. Faire tourner légèrement les balais jusqu'à ce que le poteau entre facilement dans le trou.
- 6 Enfoncer fermement les balais pour les fixer en place.
- 7 Pour poser la buse, s'assurer que les loquets (C) sont vers l'extérieur. Aligner le milieu (D) de la buse avec l'ouverture (E) de l'appareil. Enlever l'insert en carton de la raclette, sous l'embout.
- 8 Tout en tenant la buse en place, faire glisser les loquets vers l'intérieur pour verrouiller en position.

Déployer le manche

- 9 Soulever la partie supérieure du manche (A) à la position verticale jusqu'à ce qu'il se verrouille en place.

Comment replier le manche

- 10 Pour remettre le manche en position de rangement, appuyer sur le bouton de dégagement qui se trouve sur la partie supérieure du manche (B).

Pédale de déblocage du manche

- 11 Appuyer sur la pédale (A) pour abaisser le manche à sa position de fonctionnement. Le manche ne se verrouille pas dans une seule position, afin de permettre une utilisation plus souple.

Interrupteur Marche/Arrêt

- 12 Enfoncer l'interrupteur (A) une fois pour allumer l'aspirateur. Enfoncer de nouveau pour éteindre l'aspirateur.

Transport

- 13 Pour déplacer l'appareil d'une pièce à l'autre, placer le manche à la position verticale, incliner l'appareil sur ses roulettes arrière et pousser.
- 14 Il est possible de soulever l'appareil en utilisant la poignée de transport (A), située à l'avant de l'aspirateur.

Utilisation générale

Votre aspirateur FloorMate^{MC} SpinScrub^{MC} de HOOVER peut être utilisé pour ramasser les débris secs et les débris humides des surfaces non recouvertes de tapis comme le vinyle, le carrelage, le marbre et les parquets en bois imprégné. **Il n'est pas conçu pour être utilisé sur les tapis ou les moquettes.**

MISE EN GARDE : Afin d'éviter d'endommager les planchers de bois, respecter les recommandations du fabricant du plancher.

Si l'appareil est utilisé pour nettoyer des planchers de bois imprégné, vérifier que la surface du plancher ne comporte aucun fini usé, bois à découvert ou joint séparé. Si n'importe lequel de ces problèmes est décelé, ne pas utiliser l'aspirateur FloorMate^{MC} SpinScrub^{MC} pour le nettoyage humide des planchers de bois imprégné.

Cadran sélecteur

- 15** Le cadran sélecteur (A) active et désactive les brosses.
- 16** **Pour ramasser des débris secs**, tourner le cadran à la position de ramassage à sec (DRY VAC). À cette position, les brosses sont soulevées de la surface du plancher et ne tournent pas.
- Pour faire un nettoyage humide avec les brosses activées**, tourner le cadran à la position de lavage (WASH).
- Pour ramasser des débris humides**, tourner le cadran à la position de ramassage de liquide (WET PICKUP).
- Consulter la section « Nettoyage » pour obtenir les instructions de nettoyage.

Les réservoirs

Réservoir à solution (supérieur)

Le réservoir à solution contient le détergent et l'eau qui seront appliqués sur la surface à nettoyer.

Remplissage du réservoir

Débrancher l'appareil de la prise de courant.

Placer le manche de l'appareil à la verticale, en position verrouillée.

- 17** Pour enlever le réservoir, appuyer sur le bouton de dégagement et le tirer directement vers l'extérieur.

Placer le réservoir dans un évier.

- 18** Faire tourner le capuchon du réservoir (A) dans le sens antihoraire et le soulever pour l'enlever.

- 19** Placer le capuchon (A) à l'envers pour l'utiliser comme doseur.

Pour nettoyer les planchers à surface dure comme **le vinyle, le linoléum, le bois lamellé, le bois imprégné de polyuréthane ou d'autres planchers en bois pouvant être nettoyés avec de l'eau**, utiliser un bouchon (A) (60 ml/2 oz) de nettoyant à plancher « Floor to Floor^{MC} » de HOOVER^{MD}.

Utilisation générale (suite)

Vérifier la présence de points d'usure ou de séparations aux joints. Ces conditions pourraient endommager le plancher si de l'eau est utilisée pour le nettoyer.

Remarque : Certains modèles comportent un ensemble de brosses à ciment avec soies grises pour le nettoyage de carrelage en céramique ou autre. Utiliser ces brosses sur les planchers en carrelage pour nettoyer soigneusement le ciment. (Voir la section « Nettoyage des brosses » pour connaître les procédures de retrait et de remplacement des ensembles de brosses.)

Verser un capuchon et demi (A) (90 ml/3 oz) de nettoyant à ciment « Grout Cleaner* » HOOVER^{MD}.

*Vendu séparément si non inclus avec votre modèle.

NE PAS utiliser de nettoyant concentré qui contient des ingrédients à base de solvant.

MISE EN GARDE : Le nettoyant à ciment « Grout Cleaner* » HOOVER^{MD} ne doivent pas être utilisés dans les appareils SteamVac^{MC} de Hoover. Leur emploi pourrait endommager votre SteamVac^{MC}.

*Vendu séparément si non inclus avec votre modèle.

- 20 Verser le nettoyant concentré dans le réservoir (B). Remplir le réservoir jusqu'à la ligne (C) (0,9 l/1 pinte) avec de l'eau chaude.
- 21 Si l'anneau de caoutchouc (D) du capuchon est déplacé, le remettre en place, son côté inégal contre le rebord du capuchon (E), comme il est illustré.
- 22 Remettre le bouchon en place. Faire tourner le capuchon dans le sens horaire jusqu'à son blocage. Le capuchon doit être bloqué en place pour assurer le bon fonctionnement de l'appareil et prévenir les fuites.
- 23 Faire glisser le réservoir directement jusqu'à ce que le verrou s'enclenche en place.

Le réservoir de récupération

Arrêt automatique

Le réservoir de récupération est muni d'un mécanisme d'arrêt automatique de la succion pour éviter qu'il ne déborde.

Lorsque l'arrêt de succion se produit, l'appareil cesse d'aspirer les débris et le bruit du moteur change. Le réservoir de récupération est plein et doit être vidé.

Vidage

Couper l'alimentation électrique de l'appareil (position OFF) et le débrancher. Bien que ce ne soit pas absolument nécessaire, il est recommandé de vider le réservoir de récupération après le ramassage de débris secs et avant un ramassage humide.

Vérifier également le réservoir à solution. Il est peut-être temps de le remplir.

- 24 Pour enlever le réservoir, appuyer sur le bouton de dégagement (B) et le tirer directement vers l'extérieur.
- 25 Enlever le couvercle du réservoir (C). Vider le réservoir.

Utilisation générale (suite)

Nettoyage des filtres

Le couvercle du réservoir contient un filtre lavable et réutilisable. Laver ce filtre plissé lorsque la succion est faible ou réduite.

Couper l'alimentation électrique de l'appareil (position OFF) et le débrancher.

- 26** Retirer le réservoir de récupération et le couvercle (figures 24 et 25). Retirer le couvercle du filtre (A), puis retirer le filtre (B). Enlever les débris du filtre en le tapotant ou en le brossant doucement avec la main. Il peut aussi être rincé, pour un nettoyage supplémentaire. Laisser le filtre sécher à l'air libre entre chaque utilisation.

Remettre le filtre en place.

- 27** Replacer le couvercle du filtre. Appuyer fermement jusqu'à ce qu'il s'enclenche en place.

Les débris secs s'accumulent dans l'écran filtrant, situé dans le couvercle du réservoir.

- 28** Pour enlever les débris de l'écran, enlever le filtre plissé du couvercle. Retirer les débris de l'écran (D). L'écran filtrant peut également être nettoyé en le rinçant à l'eau courante.

Remettre le filtre plissé dans le couvercle. Remettre le couvercle dans le réservoir de récupération et l'enfoncer fermement jusqu'à ce qu'il s'enclenche en place.

- 29** Pour remettre le réservoir de récupération en place, placer la base du réservoir derrière le rebord (E) et pousser le réservoir directement dans l'aspirateur jusqu'à ce qu'il se verrouille en place.

Nettoyage

Séquence de nettoyage recommandée

Utiliser l'aspirateur FloorMate^{MC} SpinScrub^{MC} de HOOVER^{MD} pour :

- Le **ramassage à sec** de la saleté, des cheveux et autres débris.
- Le **nettoyage humide** du plancher. Les brosses s'agitent légèrement et aident à dégager les saletés.
- Le **ramassage de liquides**, qui réduit le temps de séchage de la surface du plancher.

Le **cadran sélecteur** active et désactive les brosses.

- 30** **Pour ramasser des débris secs**, tourner le cadran à la position DRY VAC (A). À cette position, les brosses sont soulevées de la surface du plancher et ne tournent pas.

Pour faire un nettoyage humide avec les brosses activées, tourner le cadran à la position WASH (B).

Pour ramasser des débris humides, tourner le cadran à la position de ramassage de liquide (WET PICKUP) (C).

Nettoyage (suite)

Nettoyage des planchers

REMARQUE : Votre aspirateur FloorMate^{MC} SpinScrub^{MC} de HOOVER^{MD} peut être utilisé pour nettoyer les planchers en bois imprégné de polyuréthane et qui peuvent être nettoyés avec de l'eau.

MISE EN GARDE : Afin d'éviter d'endommager les planchers de bois, respecter les recommandations du fabricant du plancher.

Si l'appareil est utilisé pour nettoyer des planchers de bois imprégné, vérifier que la surface du plancher ne comporte aucun fini usé, bois à découvert ou joint séparé. Si n'importe lequel de ces problèmes est décelé, ne pas utiliser l'aspirateur FloorMate^{MC} SpinScrub^{MC} pour le nettoyage humide des planchers de bois imprégné.

- 1 Régler le cadran sélecteur à la position ramassage à sec (DRY VAC) et passer l'aspirateur.
- 2 **Couper l'alimentation électrique de l'appareil (position OFF) et le débrancher.** Vider le réservoir de récupération (voir les figures 24 et 25). Déterminer le type de brosses devant être utilisées (les brosses gris [certains modèles] pour la céramique et le carrelage ou blanches pour le vinyle et les planchers en bois imprégné). Voir la section « Nettoyage des brosses » pour connaître les procédures de retrait et de remplacement des ensembles de brosses.
- 3 Remplir le réservoir à solution avec de l'eau et du nettoyant concentré « Floor to Floor^{MC} » ou du nettoyeur à ciment « Grout Cleaner* », selon le type de plancher à nettoyer (voir les figures 17 à 23).
Ne pas utiliser de nettoyant concentré à base de solvant dans votre aspirateur. N'utiliser aucun type de cire avec cet appareil.
- 4 Tourner le cadran sélecteur à la position de lavage (WASH).
- 5 Se sécher les mains et **brancher l'appareil dans une prise de courant correctement mise à la terre.**
- 6 Appuyer sur le levier de dégagement du manche pour l'abaisser en position de fonctionnement. Mettre l'appareil en marche.
- 7 Pour appliquer de la solution, appuyer sur la gâchette (A) (figure 31). Déplacer **lentement** l'aspirateur d'avant en arrière sur la zone à nettoyer. Appuyer sur la gâchette pour libérer de la solution au besoin.
Chevaucher les passages sur 2,5 cm (1 po) afin d'éviter tout effet marquage. L'aspirateur ramassera la solution sale lors du nettoyage.
- 8 **Pour accélérer le séchage du plancher,** relâcher la gâchette et tourner le cadran sélecteur à la position de ramassage de liquide (WET PICKUP). Continuer à passer l'aspirateur sur la même section pour ramasser la solution sale.
- 9 Pour nettoyer une autre section, tourner le cadran sélecteur à la position de lavage (WASH). Répéter les étapes 7 à 9.

Remarque : Lors du nettoyage d'un plancher en bois imprégné, s'assurer de bien assécher toute la surface. Vérifier qu'aucune trace d'eau n'est restée sur le plancher.

Remarque : Il n'est pas nécessaire d'éteindre l'aspirateur pour passer du mode de nettoyage humide à celui de ramassage de liquide. Il suffit de faire tourner le cadran sélecteur d'un mode à l'autre.

- 10 Vider le réservoir de récupération ou nettoyer le filtre lorsque le bruit émis par le moteur devient nettement plus aigu et qu'il y a perte de succion (voir la section « Fermeture automatique »).

*Vendu séparément si non inclus avec votre modèle.

Nettoyage (suite)

Nettoyage des planchers (suite)

Ramassage de liquides renversés

Votre aspirateur peut également ramasser de **petites quantités de liquides renversés (1 litre/1 pinte ou moins, sans jamais dépasser 6 mm/0,25 po de profondeur)** sur les sols nus. Tourner le cadran sélecteur à la position de ramassage de liquide (WET PICKUP) et relâcher la gâchette. Continuer à passer l'aspirateur sur la même section pour ramasser le liquide.

Ne pas utiliser l'aspirateur pour ramasser des liquides inflammables ou combustibles ou des produits chimiques. Ne pas utiliser l'aspirateur pour ramasser des détergents contenant des solvants.

Rangement de l'aspirateur

Avant de ranger l'appareil :

Couper l'alimentation électrique de l'appareil (position OFF) et le débrancher.

- Vider puis rincer le réservoir à solution et le réservoir de récupération. Laisser sécher à l'air libre.
- Pour remettre le manche en position de rangement, appuyer sur le bouton de dégagement situé sur la partie supérieure du manche.
- S'assurer que rien ne s'appuie contre la raclette de la buse.
- Ne pas ranger l'aspirateur sur une surface de bois tant que l'appareil n'est pas **complètement** sec.

Entretien

Nettoyage de la buse

Couper l'alimentation électrique de l'appareil (position OFF) et le débrancher.

La buse de l'aspirateur peut être retirée pour en faciliter le nettoyage.

- 32** Faire glisser les deux verrous de blocage de la buse (A) vers l'extérieur.
- 33** Enlever la buse (B) en la tirant directement.
- 34** Rincer la buse à l'eau courante. Enlever les débris de la raclette (C) et l'essuyer avec un chiffon humide.
- 35** Pour remettre la buse en place, s'assurer que les verrous (D) sont vers l'extérieur. Pour faciliter l'assemblage de la buse, placer l'aspirateur à la position verticale. Aligner le milieu (E) de la buse avec l'ouverture (F) de l'appareil.
- 36** Tout en tenant la buse en place, faire glisser les verrous vers l'intérieur pour verrouiller en position.

Nettoyage des brosses

L'ensemble des brosses peut être enlevé pour en faciliter le nettoyage.

Couper l'alimentation électrique de l'appareil (position OFF) et le débrancher.

Placer le manche à la position verticale.

Enlever les réservoirs afin d'éviter les fuites. Mettre les réservoirs de côté.

37

Faire glisser les deux boutons de dégagement de la buse (A) vers l'extérieur. Enlever la buse.

Incliner l'aspirateur de manière à ce que le manche repose sur le sol.

38

Pousser les deux boutons de dégagement des brosses (B) et enlever l'ensemble des brosses.

Les brosses peuvent être lavées avec un détergent doux, puis rincées à l'eau. Ne pas utiliser de détergents à base de solvant.

39

Pour remettre les brosses en place, aligner la tige (C) du module de brosse avec le trou (D) au bas de l'appareil. Tourner légèrement les brosses jusqu'à ce que la tige entre facilement dans le trou. Enfoncer fermement les brosses pour les fixer en place.

40

Remettre l'aspirateur en position verticale. Remettre la buse en place en s'assurant que les verrous (E) sont vers l'extérieur.

Aligner le milieu (F) de la buse avec l'ouverture (G) de l'appareil.

41

Tout en tenant la buse en place, faire glisser les verrous vers l'intérieur pour verrouiller en position.

Remettre les réservoirs en place.

Dépannage

Utiliser la liste ci-dessous pour aider à résoudre des problèmes mineurs.

Quel est le problème ?	Que faire ?
L'aspirateur ne fonctionne pas	<ul style="list-style-type: none"> ✓ S'assurer que l'appareil est branché fermement. ✓ Vérifier le fusible ou le disjoncteur.
L'appareil aspire mal	<ul style="list-style-type: none"> ✓ Vider le réservoir de récupération ; il est peut-être plein et le mécanisme d'arrêt automatique est activé. ✓ S'assurer que le filtre et le couvercle du filtre sont correctement placés. ✓ S'assurer que les réservoirs sont verrouillés en place. ✓ Vérifier le filtre et le nettoyer s'il est sale. ✓ S'assurer que la buse est correctement placée et verrouillée.
Formation de flaques d'eau derrière l'appareil	<ul style="list-style-type: none"> ✓ Utiliser des détergents recommandés afin de réduire la formation excessive de mousse. ✓ S'assurer que le réservoir à solution est correctement installé. ✓ Vider le réservoir de récupération.
L'appareil ne ramasse pas la solution sale	<ul style="list-style-type: none"> ✓ Vérifier que le cadran de sélection est en position de ramassage de liquide (WET PICKUP). ✓ S'assurer que le réservoir de récupération est correctement installé. ✓ Vider le réservoir de récupération. ✓ S'assurer que le filtre et le couvercle du filtre sont correctement placés.
Formation d'une ligne de débris secs devant l'aspirateur	<ul style="list-style-type: none"> ✓ S'assurer que le cadran sélecteur est réglé à la position ramassage à sec (DRY VAC). ✓ Faire basculer l'aspirateur pour soulever la buse et ramasser les débris trop gros pour passer sous la raclette.
L'appareil refuse d'appliquer la solution de nettoyage	<ul style="list-style-type: none"> ✓ S'assurer que le réservoir à solution est verrouillé en place. ✓ Remplir le réservoir à solution s'il est vide.
Les brosses ne tournent pas	<ul style="list-style-type: none"> ✓ Vérifier que le cadran de sélection est en position de lavage (WASH). ✓ Réarmer le disjoncteur. <ol style="list-style-type: none"> (1) Enfoncer l'interrupteur marche/arrêt (ON/OFF) pour éteindre l'appareil. (2) Débrancher l'aspirateur (3) Attendre une minute. (4) Brancher l'aspirateur à une prise de courant. (5) Enfoncer de nouveau l'interrupteur Marche/Arrêt (ON/OFF) pour allumer l'aspirateur. Si les brosses continuent à s'immobiliser et que le disjoncteur est à nouveau activé, nettoyer les brosses afin d'enlever les débris.

Lubrification

Le moteur est pourvu de paliers suffisamment lubrifiés pour toute la durée de vie du moteur. Toute lubrification supplémentaire pourrait causer des dommages. **Ne pas ajouter de lubrifiant aux paliers du moteur.**

Service

Pour obtenir le service autorisé HOOVER ou des pièces d'origine HOOVER, il vous faut l'adresse du Centre de vente et de service Hoover ou de l'atelier de service garanti autorisé (dépôt) le plus près de chez vous. Pour l'obtenir, vous pouvez :

- ✓ consulter la section Service de Hoover sur Internet à hoover.ca OU
- ✓ consulter les Pages Jaunes sous la rubrique « Aspirateurs domestiques - Vente & Service » OU
- ✓ appeler au 1 800 944-9200 pour accéder à un service d'aide automatique qui vous indiquera les adresses des Centres de service autorisés (É.-U. seulement)

Prière de ne pas envoyer votre appareil à l'adresse de Glenwillow, Ohio pour qu'il soit réparé. Il n'en résulterait que des délais supplémentaires.

Si d'autres renseignements sont requis, communiquer avec Hoover Consumer Response Center (le Centre d'aide à la clientèle Hoover), téléphone : 1-800-463-3923 de 8:00 à 17:00 du lundi au vendredi.

Au Canada, s'adresser à Hoover Canada, Carson Building, 100 Carson St., Etobicoke, Ontario M8W 3R9; téléphone : 1-800-463-3923 de 8:00 à 17:00 du lundi au vendredi.

Au moment de demander des renseignements ou de commander des pièces, toujours identifier l'appareil par son numéro de modèle complet. (Le numéro de modèle se trouve à l'arrière de l'appareil.)

Garantie complète de un an

(Usage domestique)

Votre appareil HOOVER^{MD} est garanti pour des conditions d'usage domestique, tel qu'il est stipulé dans le guide de l'utilisateur, contre les défauts de matériaux et de fabrication pour une période de un (1) an après la date d'achat. Cette garantie vous offre, sans frais supplémentaires, les pièces et la main-d'œuvre nécessaires à la remise en bon état de fonctionnement de l'appareil au cours de la période garantie. La présente garantie s'applique si l'appareil a été acheté aux États-Unis, ce qui comprend ses territoires et possessions, au Canada ou par l'intermédiaire du programme d'échanges militaires américain. Les appareils achetés ailleurs sont couverts par une garantie limitée de un an qui couvre le coût des pièces seulement. La présente garantie ne s'applique pas si l'appareil est utilisé à des fins commerciales ou de location.

Cette garantie ne s'applique que si l'appareil est utilisé dans le pays ou le territoire où il a été acheté.

Le service couvert par la garantie ne peut être obtenu qu'en envoyant l'appareil à l'un des points de service autorisés ci-dessous. Une preuve d'achat est exigée avant toute réparation couverte par la garantie.

1. Centres de vente et de service Hoover.
2. Ateliers de service garanti autorisé Hoover (dépôt).

Pour accéder à un service d'aide automatique qui vous donnera la liste des centres de service autorisés aux États-Unis, composer le 1 800 944-9200 OU

visiter Hoover sur Internet au hoover.ca

Cette garantie ne couvre ni l'enlèvement de l'appareil, ni sa livraison, ni les réparations à domicile. Toutefois, si vous envoyez votre appareil par la poste à un Centre de vente et de service Hoover pour une réparation sous la garantie, son renvoi sera payé.

Cette garantie vous confère des droits légaux spécifiques. Il se peut que vous bénéficiiez d'autres droits qui varient selon la juridiction.

Pour de plus amples informations ou pour des questions sur la présente garantie ou sur l'emplacement des différents Centres de service de garantie, écrire à l'adresse suivante ou composer le numéro indiqué : The Consumer Response Center, Téléphone : 1-800-463-3923 de 8:00 à 17:00 du lundi au vendredi.

Au Canada, s'adresser à Hoover Canada, 100 Carson St., Etobicoke, Ontario M8W 3R9; téléphone : 1-800-463-3923 de 8:00 à 17:00 du lundi au vendredi.

HOOVER y  son marcas registradas

HOOVER et  sont des marques déposées

HOOVER and  are registered trademarks