

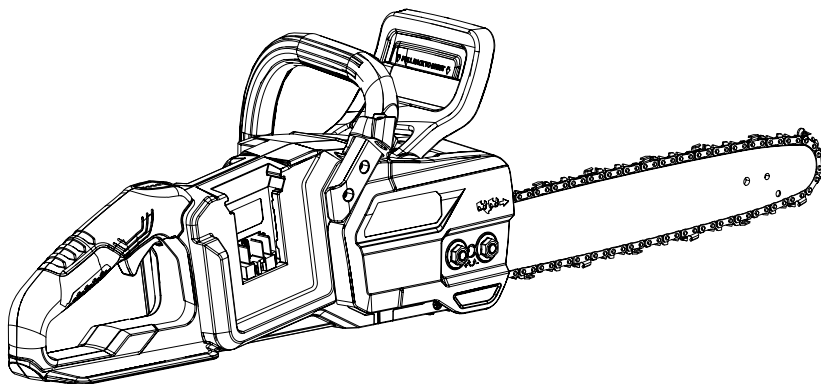
# KOBALT®

KOBALT and logo design are trademarks or registered trademarks of LF, LLC. All rights reserved.

ITEM #7915902/6036649  
MODEL #KCS 1448-06/KCS 4224-06

## 24 V x 2 LITHIUM-ION CORDLESS 14-IN CHAIN SAW

Español p. 32



Serial Number \_\_\_\_\_

Purchase Date \_\_\_\_\_

Thank you for purchasing this KOBALT product.  
Questions, problems or missing parts?  
Before returning, contact us on:  
**888-356-2258**, 8 a.m. - 8 p.m., EST, Monday - Sunday or [ascs@lowes.com](mailto:ascs@lowes.com).

DF25488

## TABLE OF CONTENTS

---

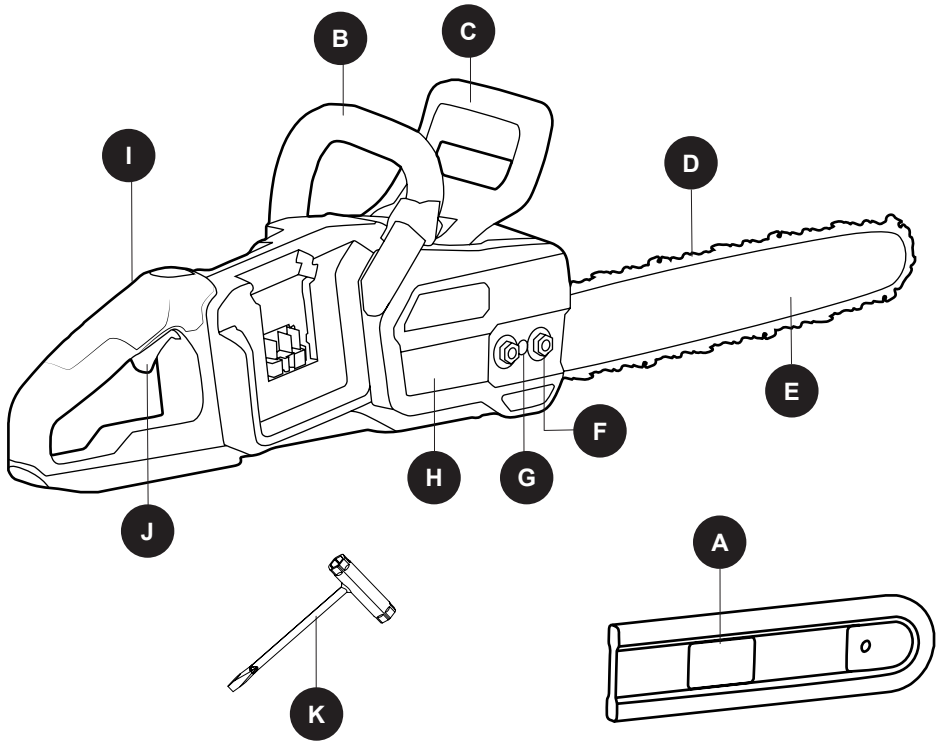
Product Specifications.....	2
Package Contents.....	3
Symbols.....	4
Safety Information.....	6
Preparation.....	11
Assembly Instructions.....	12
Operating Instructions.....	14
Care and Maintenance .....	22
Troubleshooting.....	30
Warranty.....	31
Replacement Parts List.....	31

## PRODUCT SPECIFICATIONS

---

SPECIFICATIONS	
Voltage	48V DC
Chain speed	20 m/s
Bar length	14 in. (356 mm)
Chain pitch	3/8 in. (9.50 mm)
Chain gauge	0.043 in. (1.09 mm)
Chain type	CL14352
Guide bar type	M1431452-1041
Chain oil tank capacity	7.78 oz (230 ml)
Weight (without bar, chain and battery)	7.17 lbs. (3.25 kg)

## PACKAGE CONTENTS













PART	DESCRIPTION	QUANTITY
A	Scabbard	1
B	Front handle	1
C	Guard/Chain brake	1
D	Low kickback chain	1
E	Guide bar	1
F	Chain cover lock nuts	1

PART	DESCRIPTION	QUANTITY
G	Adjustment screw	1
H	Chain cover	1
I	Safety lock	1
J	Trigger	1
K	Wrench	1




## SYMBOLS

Some of the following symbols may be used on this product. Please study them and learn their meaning. Proper interpretation of these symbols will allow you to operate the product better and safer.

SYMBOLS	EXPLANATION
V	Voltage
A	Current
Hz	Frequency (cycles per second)
W	Power
min	Time
	Type or a characteristic of current
$n_0$	Rotational speed, at no load
/min	Revolutions, strokes, surface speed, orbits etc., per minute
	Precautions that involve your safety.
	To reduce the risk of injury user must read and understand operator's manual before using this product.
	Do not expose to rain or use in damp locations.
	Wear eye protection that is marked to comply with ANSI Z87.1 as well as hearing protection when operating this product.
	Wear non-slip, heavy-duty protective gloves when handling the chain saw and the blade.
	Wear non-slip safety footwear when using this equipment.
	Tip contact can cause the guide bar to move suddenly upward and backward, which can cause serious injury.
	Hold and operate the saw properly with both hands.
	Keep all bystanders at least 50 ft. (15 m) away.

## SYMBOLS

The following signal words and meanings are intended to explain the levels of risk associated with this product.

SYMBOL	SIGNAL	MEANING
	DANGER	Indicates an imminently hazardous situation, which, if not avoided, will result in death or serious injury.
	WARNING	Indicates a potentially hazardous situation, which, if not avoided, could result in death or serious injury.
	CAUTION	Indicates a potentially hazardous situation, which, if not avoided, may result in minor or moderate injury.
	CAUTION	(Without Safety Alert Symbol) Indicates a situation that may result in property damage.

## WARNING

- To avoid serious personal injury, do not attempt to use this product until you have read this owner's manual thoroughly and understand it completely. If you do not understand the warnings and instructions in this owner's manual, do not use this product. Call **888-356-2258** for assistance.



The operation of any product can result in foreign objects being thrown into your eyes, which can result in severe eye damage. Before operating a product, always wear safety goggles, safety glasses with side shields, or a full-face shield when needed. A Wide Vision Safety Mask is recommended for use over eyeglasses or standard safety glasses with side shields. Always use eye protection that is marked to comply with ANSI Z87.1.

## SAFETY INFORMATION

---

### WARNING

**Read all safety warnings, instructions, illustrations and specifications provided with this product.** *Failure to follow all instructions listed below may result in electric shock, fire and/or serious injury.*

**Save all warnings and instructions for future reference.** *The term "product" in the warnings refers to your mains-operated (corded) chain saw or battery-operated (cordless) chain saw.*

#### 1. WORK AREA SAFETY

- **Keep work area clean and well lit.** *Cluttered or dark areas invite accidents.*
- **Do not operate products in explosive atmospheres, such as in the presence of flammable liquids, gases or dust.** *Products create sparks which may ignite the dust or fumes.*
- **Keep children and bystanders away while operating a product.** *Distractions can cause you to lose control.*

#### 2. ELECTRICAL SAFETY

- **Product plugs must match the outlet. Never modify the plug in any way. Do not use any adapter plugs with earthed (grounded) products.** *Unmodified plugs and matching outlets will reduce risk of electric shock.*
- **Avoid body contact with earthed or grounded surfaces, such as pipes, radiators, ranges and refrigerators.** *There is an increased risk of electric shock if your body is earthed or grounded.*
- **Do not expose products to rain or wet conditions.** *Water entering a product will increase the risk of electric shock.*
- **Do not abuse the cord. Never use the cord for carrying, pulling or unplugging the product. Keep cord away from heat, oil, sharp edges or moving parts.** *Damaged or entangled cords increase the risk of electric shock.*
- **When operating a product outdoors, use an extension cord suitable for outdoor use.** *Use of a cord suitable for outdoor use reduces the risk of electric shock.*
- **If operating a product in a damp location is unavoidable, use a residual current device (RCD) protected supply.** *Use of an RCD reduces the risk of electric shock.*
- **Use only KOBALT 24-volt batteries (KB 224-03, KB 224-06, KB 324-06, KB 424-03, KB 424A-06, KXB 424-03, KB 424-06, KB 524-03, KB 524-06, KB 624-03, KB 624-06, KXB 824-03, KB 824-06).**
- **Use only KOBALT charger (KRC 2445-03, KCH 2401-03, KDPC 124-03, KRC 2490-03, KCH 2411-03, KRC 2404-03, KCH 324-06, KCH 624-06, KCH 1024-06, KCH 1424-06).**

#### 3. PERSONAL SAFETY

- **Stay alert, watch what you are doing and use common sense when operating a product. Do not use a product while you are tired or under the influence of drugs, alcohol or medication.** *A moment of inattention while operating products may result in serious personal injury.*
- **Use personal protective equipment. Always wear eye protection.** *Protective equipment such as a dust mask, non-skid safety shoes, hard hat or hearing protection used for appropriate conditions will reduce personal injuries.*
- **Prevent unintentional starting. Ensure the switch is in the off position before connecting to power source and/or battery pack, picking up or carrying the product.** *Carrying products with*

## SAFETY INFORMATION

---

*your finger on the switch or energizing products that have the switch on invites accidents.*

- **Remove any adjusting key or wrench before turning the product on.** *A wrench or a key left attached to a rotating part of the product may result in personal injury.*
- **Do not overreach. Keep proper footing and balance at all times.** *This enables better control of the product in unexpected situations.*
- **Dress properly. Do not wear loose clothing or jewelry. Keep your hair and clothing away from moving parts.** *Loose clothes, jewelry or long hair can be caught in moving parts.*
- **If devices are provided for the connection of dust extraction and collection facilities, ensure these are connected and properly used.** *Use of dust collection can reduce dust-related hazards.*
- **Do not let familiarity gained from frequent use of products allow you to become complacent and ignore product safety principles.** *A careless action can cause severe injury within a fraction of a second.*

### 4. PRODUCT USE AND CARE

- **Do not force the product. Use the correct product for your application.** *The correct product will do the job better and safer at the rate for which it was designed.*
- **Do not use the product if the switch does not turn it on and off.** *Any product that cannot be controlled with the switch is dangerous and must be repaired.*
- **Disconnect the plug from the power source and/or remove the battery pack, if detachable, from the product before making any adjustments, changing accessories, or storing products.** *Such preventive safety measures reduce the risk of starting the product accidentally.*
- **Store idle products out of the reach of children and do not allow persons unfamiliar with the product or these instructions to operate the product.** *Products are dangerous in the hands of untrained users.*
- **Maintain products and accessories. Check for misalignment or binding of moving parts, breakage of parts and any other condition that may affect the product's operation. If damaged, have the product repaired before use.** *Many accidents are caused by poorly maintained products.*
- **Keep cutting tools sharp and clean.** *Properly maintained cutting tools with sharp cutting edges are less likely to bind and are easier to control.*
- **Use the product, accessories and tool bits etc. in accordance with these instructions, taking into account the working conditions and the work to be performed.** *Use of the product for operations different from those intended could result in a hazardous situation.*
- **Keep handles and grasping surfaces dry, clean, and free from oil and grease.** *Slippery handles and grasping surfaces do not allow for safe handling and control of the tool in unexpected situations.*

### 5. BATTERY TOOL USE AND CARE

- **Recharge only with the charger specified by the manufacturer.** *A charger that is suitable for one type of battery pack may create a risk of fire when used with another battery pack.*
- **Use products only with specifically designated battery packs.** *Use of any other battery packs may create a risk of injury and fire.*
- **When battery pack is not in use, keep it away from other metal objects, like paper clips,**

## SAFETY INFORMATION

---

coins, keys, nails, screws, or other small metal objects, that can make a connection from one terminal to another. *Shorting the battery terminals together may cause burns or a fire.*

- **Under abusive conditions, liquid may be ejected from the battery; avoid contact. If contact accidentally occurs, flush with water. If liquid contacts eyes, additionally seek medical help.** *Liquid ejected from the battery may cause irritation or burns.*
- **Do not use a battery pack or product that is damaged or modified.** *Damaged or modified batteries may exhibit unpredictable behavior resulting in fire, explosion or risk of injury.*
- **Do not expose a battery pack or product to fire or excessive temperature.** *Exposure to fire or temperature above 130°C (265°F) may cause explosion.*
- **Follow all charging instructions and do not charge the battery pack or product outside the temperature range specified in the instructions.** *Charging improperly or at temperatures outside the specified range may damage the battery and increase the risk of fire.*

### 6. SERVICE

- **Have your product serviced by a qualified repair person using only identical replacement parts.** *This will ensure that the safety of the product is maintained.*
- **Never service damaged battery packs.** *Service of battery packs should only be performed by the manufacturer or authorized service providers.*

### 7. GENERAL CHAIN SAW SAFETY WARNINGS

- **Keep all parts of the body away from the saw chain when the chain saw is operating. Before you start the chain saw, make sure the saw chain is not contacting anything.** *A moment of inattention while operating chain saws may cause entanglement of your clothing or body with the saw chain.*
- **Always hold the chain saw with your right hand on the rear handle and your left hand on the front handle.** *Holding the chain saw with a reversed hand configuration increases the risk of personal injury and should never be done.*
- **Hold the chain saw by insulated gripping surfaces only, because the saw chain may contact hidden wiring.** *Saw chains contacting a “live” wire may make exposed metal parts of the product “live” and could give the operator an electric shock.*
- **Wear eye protection. Further protective equipment for hearing, head, hands, legs and feet is recommended.** *Adequate protective equipment will reduce personal injury from flying debris or accidental contact with the saw chain.*
- **Do not operate a chain saw on a ladder, from a rooftop, or any unstable support.** *Operation of a chain saw in this manner could result in serious personal injury.*
- **Always keep proper footing and operate the chain saw only when standing on fixed, secure and level surface.** *Slippery or unstable surfaces may cause a loss of balance or control of the product.*
- **When cutting a limb that is under tension, be alert for spring back.** *When the tension in the wood fibers is released, the spring-loaded limb may strike the operator and/or throw the chain saw out of control.*
- **Use extreme caution when cutting brush and saplings.** *The slender material may catch the saw chain and be whipped toward you or pull you off balance.*
- **Carry the chain saw by the front handle with the chain saw switched off and away from your body. When transporting or storing the chain saw, always fit the guide bar cover.** *Proper*

## **▲ SAFETY INFORMATION**

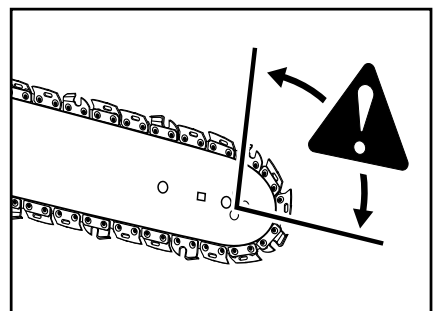
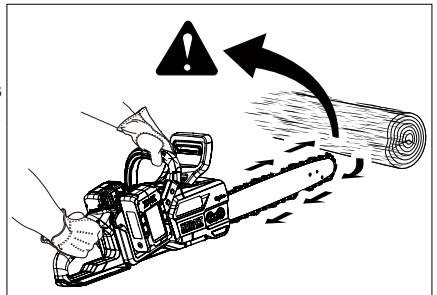
*handling of the chain saw will reduce the likelihood of accidental contact with the moving saw chain.*

- **Follow instructions for lubricating, chain tensioning and changing the bar and chain.** *Improperly tensioned or lubricated chain may either break or increase the chance for kickback.*
- **Cut wood only. Do not use chain saw for purposes not intended. For example: do not use chain saw for cutting metal, plastic, masonry or non-wood building materials.** *Use of the chain saw for operations different than intended could result in a hazardous situation.*
- **Do not attempt to fell a tree until you have an understanding of the risks and how to avoid them.** *Serious injury could occur to the operator or bystanders while felling a tree.*
- **Do not operate a chain saw in a tree unless you have been specifically trained to do so.** *Operation of a chain saw in a tree without proper training could increase the risk of serious personal injury.*
- **Follow all instructions when clearing jammed material, storing or servicing the chain saw.** *Make sure the switch is off and the battery pack is removed. Unexpected actuation of the chain saw while clearing jammed material or servicing may result in serious personal injury.*

### **8. CAUSES AND OPERATOR PREVENTION OF KICKBACK**

Kickback may occur when the nose or tip of the guide bar touches an object, or when the wood closes in and pinches the saw chain in the cut. Tip contact in some cases may cause a sudden reverse reaction, kicking the guide bar up and back towards the operator. Pinching the saw chain along the top of the guide bar may push the guide bar rapidly back towards the operator. Either of these reactions may cause you to lose control of the saw which could result in serious personal injury. Do not rely exclusively upon the safety devices built into your saw. As a chain saw user, you should take several steps to keep your cutting jobs free from accident or injury. Kickback is the result of chain saw misuse and/or incorrect operating procedures or conditions and can be avoided by taking proper precautions as given below:

- **Maintain a firm grip, with thumbs and fingers encircling the chain saw handles, with both hands on the saw and position your body and arm to allow you to resist kickback forces.** Kickback forces can be controlled by the operator if proper precautions are taken. Do not let go of the chain saw.
- **Do not overreach and do not cut above shoulder height.** This helps prevent unintended tip contact and enables better control of the chain saw in unexpected situations.
- **Only use replacement guide bars and saw chains specified by the manufacturer.** Incorrect replacement guide bars and saw chains may cause chain breakage and/or kickback.
- **Follow the manufacturer's sharpening and maintenance instructions for the saw chain.** Decreasing the depth gauge height can lead to increased kickback.

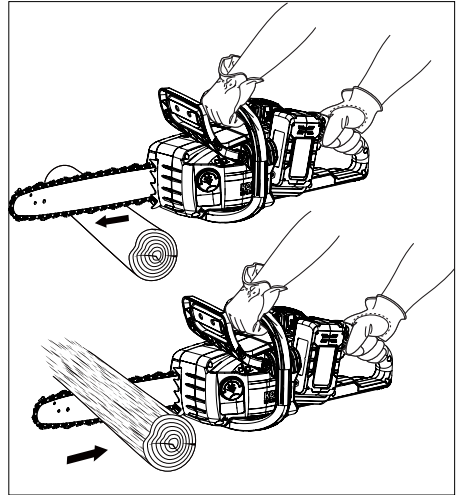


## **▲ SAFETY INFORMATION**

- Push and Pull - This reaction force is always opposite to the direction the chain is moving where wood contact is made. Thus, the operator must be ready to control the PULL when cutting on the bottom edge of the bar, and PUSH when cutting along the top edge.

### **Understanding your chain saw safety devices** **Low kickback saw chain**

The rakers (depth gauges) ahead of each cutter can minimize the force of a kickback reaction by preventing the cutters from digging in too deeply at the kickback zone. Only use replacement chain that is equivalent to original chain or has been certified as low kickback chain per ANSI B175.1. Low kickback/skip tooth saw chain is a chain that has met the kickback performance requirements of ANSI B175.1 - 1991. (American National Standard for Power Tools - Gasoline-Powered Chain Saws-Safety Requirements) when tested on the representative sample of chain saws below 3.8 c.i.d. specified in ANSI B175.1-1991. As saw chains are sharpened during their useful life, they lose some of the low kickback qualities and extra caution should be used.



## **9. THE RECOMMENDED AMBIENT TEMPERATURE RANGE:**

<b>Item</b>	<b>Temperature</b>
Appliance storage temperature range	32°F (0°C) - 113°F (45°C)
Appliance operation temperature range	32°F (0°C) - 113°F (45°C)
Battery charging temperature range	39°F (4°C) - 104°F (40°C)
Charger operation temperature range	39°F (4°C) - 104°F (40°C)
Battery storage temperature range	32°F (0°C) - 113°F (45°C)
Battery discharging temperature range	32°F (0°C) - 113°F (45°C)

## SAFETY INFORMATION

---

### WARNING (PROPOSITION 65)

Some dust created by power sanding, sawing, grinding, drilling, and other construction activities contain chemicals known to cause cancer, birth defects or other reproductive harm. Some examples of these chemicals are:

- Lead from lead-based paints.
- Crystalline silica from bricks and cement and other masonry products, and
- Arsenic and chromium from chemically treated lumber.

Your risk of exposure to these chemicals varies depending on how often you do this type of work. To reduce your exposure to these chemicals, work in a well-ventilated area, and work with approved safety equipment, such as dust masks that are specifically designed to filter out microscopic particles.

## PREPARATION

---

Before beginning assembly of product, make sure all parts are present. Compare parts with package contents list and hardware contents list. If any part is missing or damaged, do not attempt to assemble the product.

**Estimated Assembly Time: 5 - 10 minutes**

## ASSEMBLY INSTRUCTIONS

---

### WARNING

- If any parts are damaged or missing, do not operate this product until the parts are replaced. Using a product with damaged or missing parts could result in serious personal injury.
- Do not attempt to modify this product or create accessories not recommended for use with this product. Any such alteration or modification is misuse and could result in a hazardous condition leading to possible serious personal injury.

### WARNING

- Do not allow familiarity with this product to make you careless. Remember that a careless fraction of a second is sufficient to inflict serious injury.
- Do not use any attachments or accessories not recommended by the manufacturer of this product. The use of attachments or accessories not recommended can result in serious personal injury.

## ASSEMBLY INSTRUCTIONS

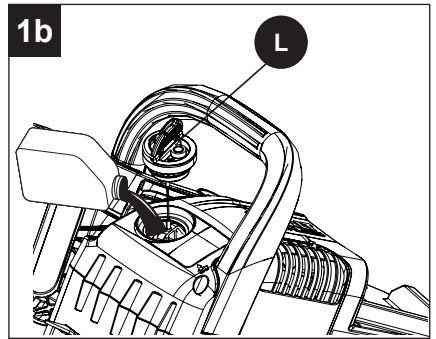
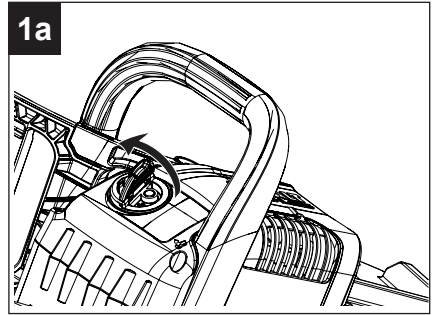
### 1. Adding bar and chain lubricant

Use a bar and chain lubricant (not included) with this product. It is designed for chains and chain oilers and is formulated to perform over a wide temperature range with no dilution required.

**Note:** Chain saw comes from the factory with no bar and chain oil added.

The level should also be checked after every 20 minutes of use and refilled as needed.

- Open the removable cover and then rotate the cover counterclockwise to remove it.
- Remove oil cap (L).
- Carefully pour the bar and chain oil into the tank.
- Wipe off excess oil and replace cap.
- Check and fill the oil tank when quick view oil indicator is below the MIN. line.
- Repeat as needed.



**Note:** Do not use dirty, used or otherwise contaminated oils. Damage may occur to the bar or chain. It is normal for oil to seep from the saw when not in use. To prevent seepage, empty the oil tank after each use then run for one minute. When storing the unit for a long period of time (three months or longer) be sure the chain is lightly lubricated; this will prevent rust on the chain and bar sprocket.

### WARNING

- To preserve natural resources, please recycle or dispose of oil properly. Consult your local waste authority for information regarding available recycling and/disposal options.

## ASSEMBLY INSTRUCTIONS

### **⚠ IMPORTANT**

- The batteries will only be half charged when they are purchased. Before using the chain saw for the first time, plug the batteries into the battery charger and charge them fully. Be sure to read all safety precautions and follow the instructions in the battery and charger manuals. When storing the chain saw for a prolonged period of time, remove the batteries. When the chain saw is going to be used again, charge the batteries for at least a full charging period. The battery has no memory effect.

## 2. Installing / removing the batteries

### 2a. To install batteries

- Align the batteries with the battery opening.
- Insert the batteries into the battery opening until the battery release buttons (M) lock into place.
- Push down on the batteries until they lock into place. You should hear a “click” once they are installed.

**Note:** The product requires (2) Kobalt 24V batteries for operation.

**Note:** Optimize the power and performance of your new 24x2 machine by running with both batteries charged to 100%.

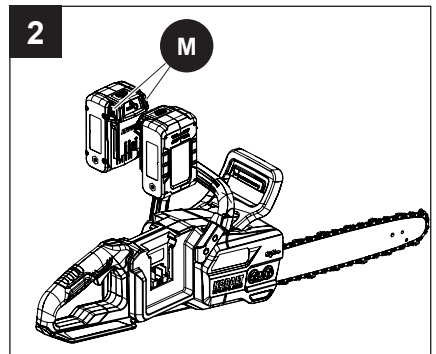
### 2b. To remove batteries

- Press the battery release buttons (M) on the battery. This will cause the battery to raise out of the tool slightly.
- Grasp the chain saw firmly and pull both batteries out of the battery opening.

### **⚠ WARNING**

Follow these instructions in order to avoid injury and to reduce the risk of electric shock or fire:

- Replace the battery or the charger immediately if the battery case or charger cord is damaged.
- Verify that the battery is removed before inspecting, adjusting, or performing maintenance on any part of the product.
- Read, understand, and follow the instructions contained in the charger manual.



## OPERATING INSTRUCTIONS

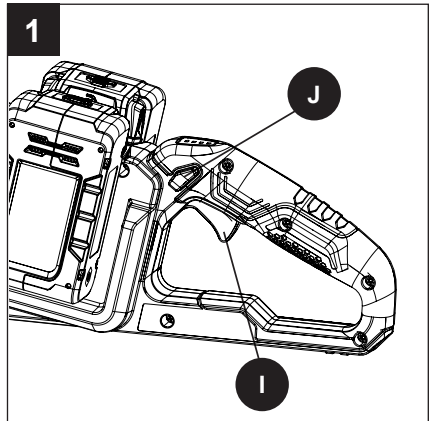
### 1. Starting / stopping the product

#### WARNING

Keep body to the left of the chain line. Never straddle the saw or chain, or lean over past the chain line.

#### 1a. To start the product

- Make sure chain tension is at desired setting. Refer to adjusting the chain tension in the Care and Maintenance section of this manual.
- Make sure the chain cover lock nuts (F) are tight to the chain cover.
- Make sure no objects or obstructions are in the immediate vicinity which could come in contact with the bar and chain.
- Insert the batteries into the chain saw.
- Press in the safety lock (J). This makes the trigger (I) operational.
- Press and hold the trigger (I) and keep it pressed for continued operation.



#### 1b. To stop the product

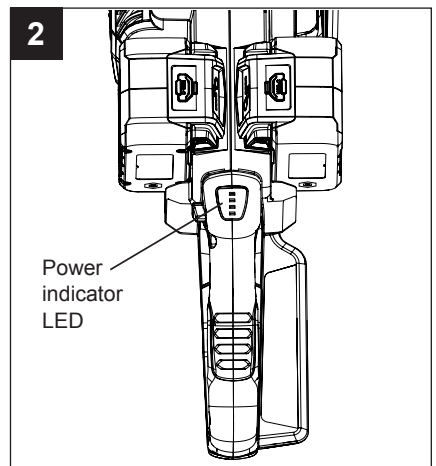
- Release the trigger (I).

Upon release of the trigger, the switch lock will be automatically reset to the lock position.

### 2. Power indicator LED

- This saw is equipped with a power indicator LED that indicates the current battery capacity of the lowest-charged battery.

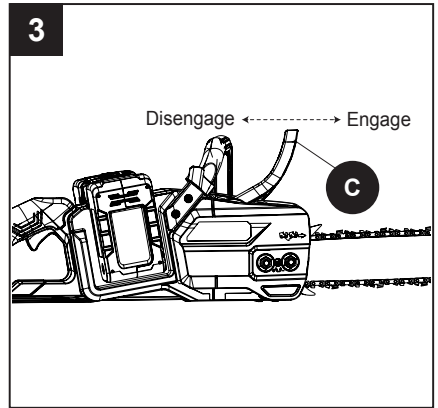
LIGHTS	CAPACITY
4 LED lights	The battery is above 80% capacity.
3 LED lights	The battery is between 80% and 60% capacity.
2 LED lights	The battery is between 60% and 40% capacity.
1 LED light	The battery is between 40% and 20% capacity.
Lights go out	The battery is less than 10% capacity and requires charging immediately.



## OPERATING INSTRUCTIONS

### 3. Mechanical chain brake

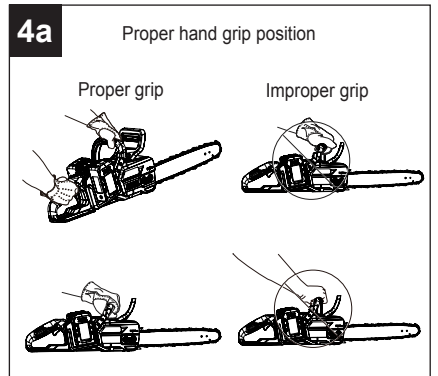
- This saw is equipped with a mechanical chain brake (C).
- The chain brake (C) is activated if kick back occurs during use.
- To disengage the chain brake (C), pull back on the guard.



### 4. Preparation for cutting

See General Safety Rules for appropriate safety equipment.

- Wear non-slip gloves for maximum grip and protection.
- Hold the saw firmly with both hands. Always keep your left hand on the front handle and your right hand on the rear handle so that your body is to the left of the chain line.
- Maintain a proper grip on the saw whenever the motor is running. The fingers should encircle the handle, with the thumb wrapped under the handle bar. This grip is least likely to be broken by a kickback or other sudden reaction of the saw. Any grip in which the thumb and fingers are on the same side of the handle is dangerous, because a slight kick of the saw can cause loss of control.



## OPERATING INSTRUCTIONS

### **⚠ WARNING**

- DO NOT operate the trigger switch with your left hand and hold the front handle with your right hand. Never allow any part of your body to be in the chain line while operating a saw.
- Never use a left-handed (cross-handed) grip or any stance that would place your body or arm across the chain line.

### **Proper cutting stance**

- Balance your weight with both feet on solid ground.
- Keep left arm with elbow locked in a “straight arm” position to withstand any kickback force.
- Keep your body to the left of the chain line.
- Keep your thumb on underside of front handle.

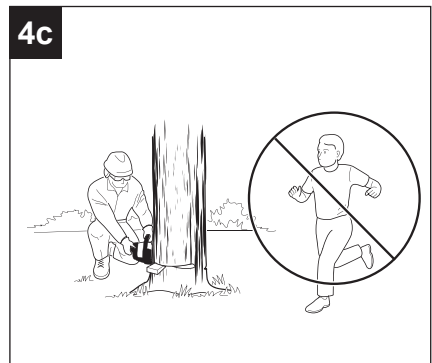
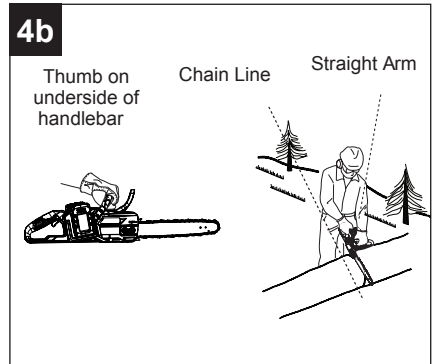
### **Basic operating/cutting procedures**

Practice cutting a few small logs using the following technique to get the “feel” of using the saw before you begin a major sawing operation.

- Take the proper stance in front of the wood.
- Press the safety lock and squeeze the trigger, then release the safety lock and let the chain accelerate to full speed before entering the cut.
- Begin cutting with the saw against the log.
- Keep the unit running the entire time you are cutting, maintain a steady speed.
- The chain will cut for you; exert only light downward pressure. Forcing the cut could result in damage to the bar, chain, or motor.
- Release the trigger as soon as the cut is completed, allowing the chain to stop. If you run the saw without a cutting load, unnecessary wear can occur to the chain, bar, and unit.
- Do not put pressure on the saw at the end of the cut.

### **Work area precautions**

- Cut only wood or materials made from wood; no sheet metal, no plastics, no masonry, no nonwood building materials.
- Never allow children to operate the saw. Allow no person to use this chain saw who has not read this operator’s manual or received adequate instructions for the safe and proper use of this chain saw.
- Keep everyone – helpers, bystanders, children, and animals – a SAFE DISTANCE from the cutting area. During felling operations, the safe



## OPERATING INSTRUCTIONS

distance should be at least twice the height of the largest trees in the felling area. During bucking operations, keep a minimum distance of 15 ft. (4.6 m) between workers.

- Always cut with both feet on solid ground to prevent being pulled off balance.
- Do not cut above chest height as a saw held higher is difficult to control against kickback forces.
- Do not fell trees near electrical wires or buildings. Leave this operation for professionals.
- Cut only when visibility and light are adequate for you to see clearly.

### 5. Felling trees

#### Hazardous conditions

#### WARNING

Do not fell trees during periods of high wind or heavy precipitation. Wait until the hazardous weather has ended.

When felling a tree, it is important that you heed the following warnings to prevent possible serious injury.

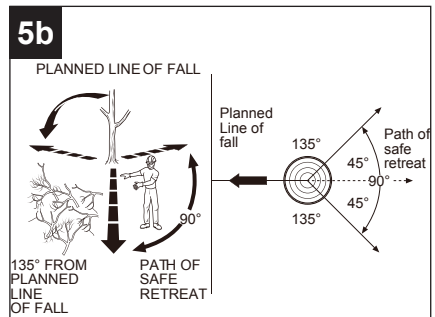
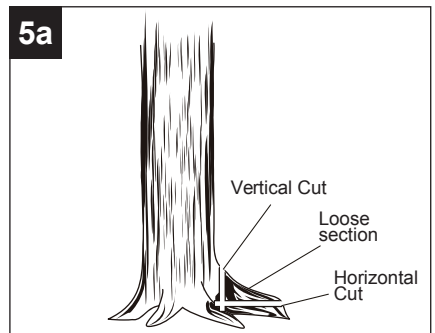
- Do not cut down trees having an extreme lean or large trees with rotten limbs, loose bark, or hollow trunks. Have these trees pushed or dragged down with heavy equipment, then cut them up.
- Do not cut trees near electrical wires or buildings.
- Check the tree for damaged or dead branches that could fall and hit you during felling.
- Periodically glance at the top of the tree during the back cut to assure the tree is going to fall in the desired direction.
- If the tree starts to fall in the wrong direction, or if the saw gets caught or hung up during the fall, leave the saw and save yourself.

#### Removing buttress roots

A buttress root is a large root extending from the trunk of the tree above the ground. Remove large buttress roots prior to felling. Make the horizontal cut into the buttress first, followed by the vertical cut. Remove the resulting loose section from the work area. Follow the correct tree felling procedure as stated in Proper Procedure For Tree Felling after you have removed the large buttress roots.

#### Proper procedure for tree felling

- Felling a tree — When bucking and felling operations are being performed by two or more persons at the same time, the felling operation should be separated from the bucking operation by a distance of at least twice the height of the tree being felled. Trees should not be felled in a manner that would endanger any person, strike any utility line or cause any property damage. If the tree does make contact with any utility line, the utility company should be notified immediately.

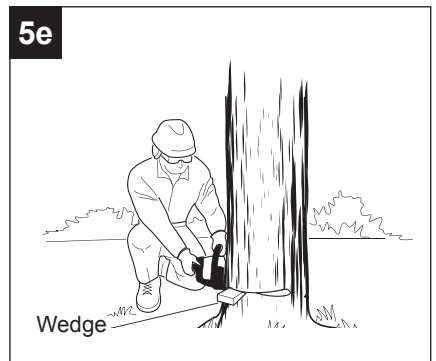
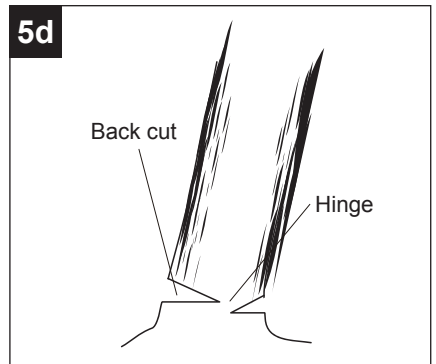
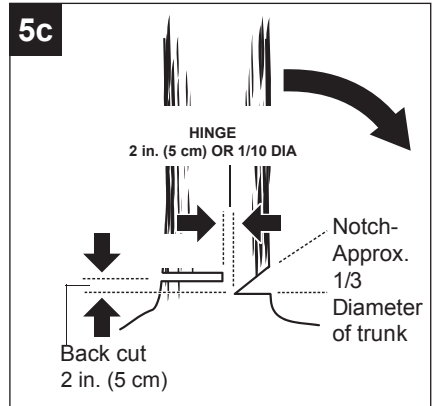


## OPERATING INSTRUCTIONS

- Operator should keep on the uphill side of terrain as the tree is likely to roll or slide after it is felled.
- Pick your escape route (or routes in case the intended route is blocked). Clear the immediate area around the tree and make sure there are no obstructions in your planned path of retreat. Clear the path of safe retreat approximately 135° from the planned line of fall.
- Consider the force and direction of the wind, the lean and balance of the tree, and the location of large limbs. These things influence the direction in which the tree will fall. Do not try to fell a tree along a line different from its natural line of fall.
- Remove dirt, stones, loose bark, nails, staples, and wire from the tree where felling cuts are to be made.
- Notched Undercut. Cut a notch about 1/3 the diameter of the trunk on the side of the tree. Make the notch cuts so they intersect at a right angle to the line of fall. This notch should be cleaned out to leave a straight line. To keep the weight of the wood off the saw, always make the lower cut of the notch before the upper cut.
- Felling Back cut. As the felling cut gets close to the hinge, the tree should begin to fall. If there is any chance the tree may not fall in the desired direction or it may rock back and bind the saw chain, stop cutting before the felling cut is complete and use wedges of wood, plastic or aluminum to open the cut and drop the tree along its desired line of fall. Make the back cut level and horizontal, and at a minimum of 2 in. (5 cm) above the horizontal cut of the notch.

**Note:** Never cut through to the notch. Always leave a band of wood between the notch and back cut (approximately 2 in. (5 cm) or 1/10 the diameter of the tree). This is called "hinge" or "hinge wood." It controls the fall of the tree and prevents slipping or twisting or shoot back of the tree off the stump.

- On large diameter trees, stop the back cut before it is deep enough for the tree to either fall or settle back on the stump. Then insert soft wooden or plastic wedges into the cut so they do not touch the chain. The wedges can be driven in, little by little, to help jack the tree over.
- As tree starts to fall, stop the chain saw and put it down immediately. Retreat along the cleared path, but watch the action in case something falls your way.

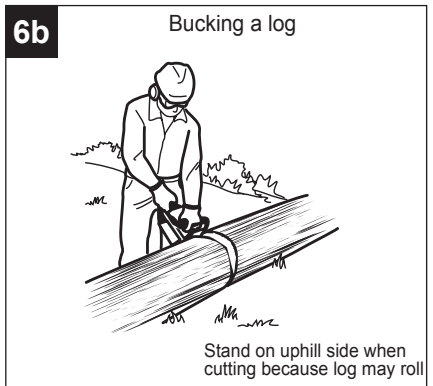
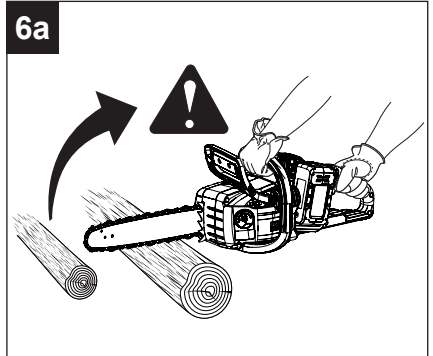


## OPERATING INSTRUCTIONS

### 6. Bucking

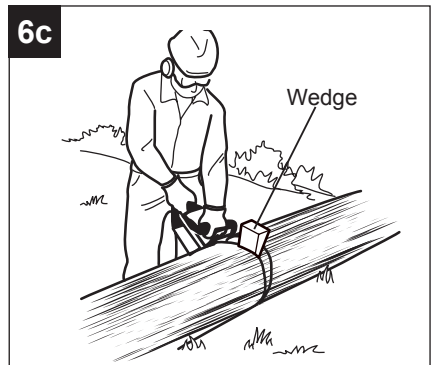
Bucking is the term used for cutting a fallen tree to the desired log length.

- Always make sure your footing is secure and your weight is distributed evenly on both feet.
- Cut only one log at a time.
- Support small logs on a sawhorse or another log while bucking.
- Keep a clear cutting area. Make sure that no objects can contact the guide bar nose and chain during cutting as this can cause kickback. Refer to Kickback earlier in this manual.
- When bucking on a slope, always stand on the uphill side of the log. To maintain complete control of the chain saw when cutting through the log, release the cutting pressure near the end of the cut without relaxing your grip on the chain saw handles. Do not let the chain contact the ground. After completing the cut, wait for the saw chain to stop before you move the chain saw. Always stop the motor before moving from tree to tree.



### Bucking with a wedge

If the wood diameter is large enough for you to insert a soft bucking wedge without touching the chain, you should use the wedge to hold the cut open to prevent pinching.



## OPERATING INSTRUCTIONS

### Bucking logs under stress

When the log is supported on one end, cut 1/3 the diameter from the underside. Then make the finished cut by overbucking to meet the first cut. When the log is supported on both ends, cut 1/3 of the diameter from the top overback. Then make the finished cut by under bucking the lower 2/3 to meet the first cut.

### Over bucking

Begin on the top side of the log with the bottom of the saw against the log; exert light pressure downward. Note that the saw will tend to pull away from you.

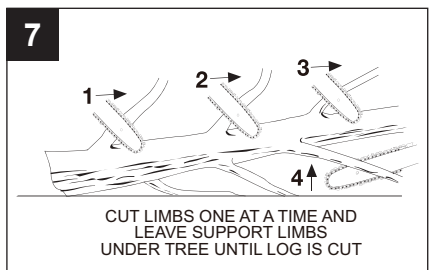
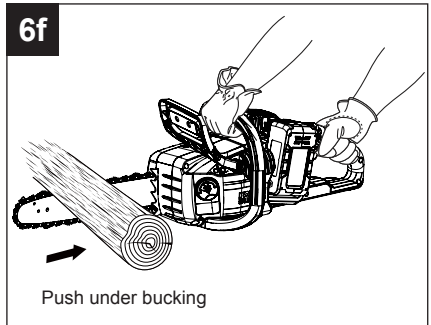
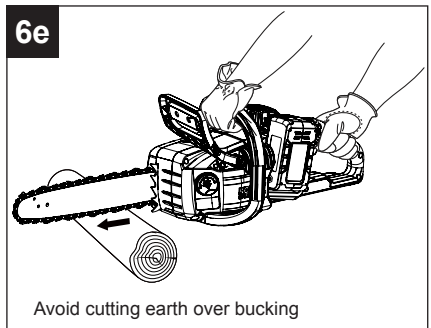
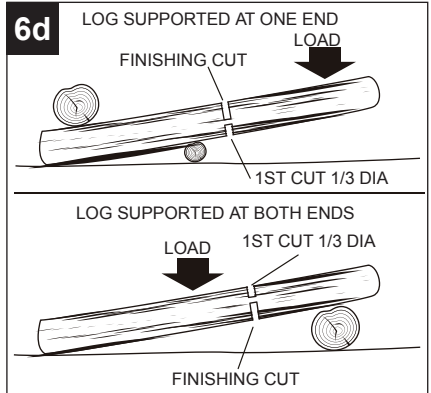
### Under bucking

Begin on the under side of the log with the top of the saw against the log; exert light pressure upward. During under bucking, the saw will tend to push back at you. Be prepared for this reaction and hold the saw firmly to maintain control.

## 7. Limbing

Limbing is removing branches from a fallen tree.

- Work slowly, keeping both hands on the chain saw with a firm grip. Always make sure your footing is secure and your weight is distributed evenly on both feet.
- Leave the larger support limbs under the tree to keep the tree off the ground while cutting.
- Limbs should be cut one at a time. Remove the cut limbs from the work area often to help. Keep the work area clean and safe.
- Branches under tension should be cut from the bottom up to avoid binding the chain saw.
- Keep the tree between you and the chain saw while limbing. Cut from the side of the tree opposite the branch you are cutting.

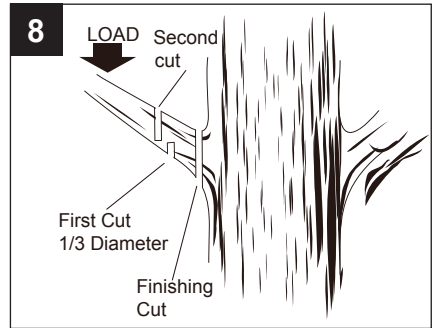


## OPERATING INSTRUCTIONS

### 8. Pruning

Pruning is trimming limbs from a live tree.

- Work slowly, keeping both hands on the chain saw with a firm grip. Always make sure your footing is secure and your weight is distributed evenly on both feet.
- Do not cut from a ladder. This is extremely dangerous. Leave this operation for professionals.
- Do not cut above chest height as a saw held higher is difficult to control against kickback.
- When pruning trees it is important not to make the finishing cut next to the main limb or trunk until you have cut off the limb further out to reduce the weight. This prevents stripping the bark from the main member.
- Underbuck the branch 1/3 through for your first cut.
- Your second cut should overbuck to drop the branch off.
- Now make your finishing cut smoothly and neatly against the main member so the bark will grow back to seal the wound.

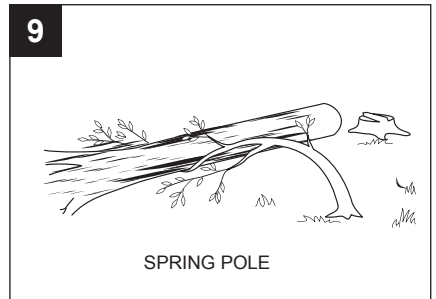


### **⚠** WARNING

If the limbs to be pruned are above chest height, hire a professional to perform the pruning.

### 9. Cutting spring poles

A spring pole is any log, branch, rooted stump, or sapling which is bent under tension by other wood so that it springs back if the wood holding it is cut or removed. On a fallen tree, a rooted stump has a high potential of springing back to the upright position during the bucking cut to separate the log from the stump. Watch out for spring poles — they are dangerous.



### **⚠** WARNING

Spring poles are dangerous and could strike the operator, causing the operator to lose control of the chain saw. This could result in severe or fatal injury to the operator.

## CARE AND MAINTENANCE

---

### **⚠ WARNING**

- When servicing, use only identical replacement parts. Use of any other parts may create a hazard or cause product damage.
- Always wear safety goggles or safety glasses with side shields during power tool operation or when blowing dust. If the operation is dusty, also wear a dust mask.

### **General maintenance**

Avoid using solvents when cleaning plastic parts. Most plastics are susceptible to damage from various types of commercial solvents and may be damaged by their use. Use clean cloths to remove dirt, dust, lubricant, grease, etc.

- Do not at any time let brake fluids, gasoline, petroleum-based products, penetrating oils, etc., come in contact with plastic parts. Chemicals can damage, weaken, or destroy plastic, which may result in serious personal injury.

### **Lubrication**

- All of the bearings in this product are lubricated with a sufficient amount of high grade lubricant for the life of the unit under normal operating conditions. Therefore, no further lubrication is required.

### **⚠ WARNING**

- To avoid serious personal injury, read and understand all the safety instructions in this section.
- Before performing any maintenance, make sure the battery is removed. Failure to heed this warning could result in serious personal injury.
- To avoid possible serious injury, never touch or adjust the chain while the motor is running. The saw chain is very sharp; always wear protective gloves when performing maintenance to the chain.

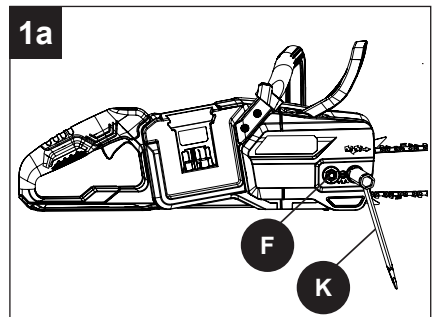
## CARE AND MAINTENANCE

---

### **1. Replacing the chain & bar**

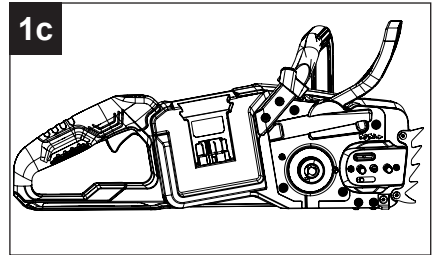
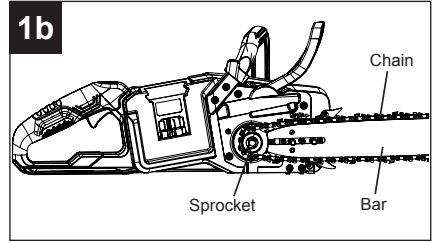
During use, the chain will stretch and become dull. Debris and saw dust can also collect underneath the bar cover. Use the following steps to maintain your chain saw and chain.

- Remove the batteries from the chain saw.
  - Remove the supplied wrench (K) from the front handle.
- 1a. Remove the two chain cover lock nuts (F) from the chain cover by rotating them counterclockwise with the wrench (K).



## CARE AND MAINTENANCE

- Remove the chain cover from the mounting surface.
- The bar and chain can now be removed by lifting it away from the main body of the saw and releasing the chain from the sprocket.
  - Remove the old chain from the bar.

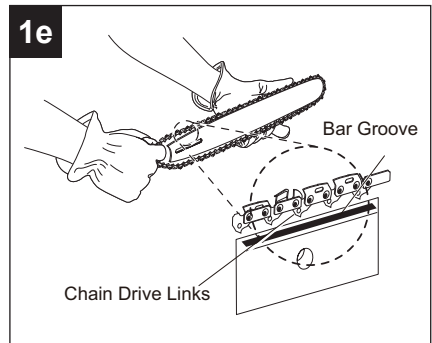
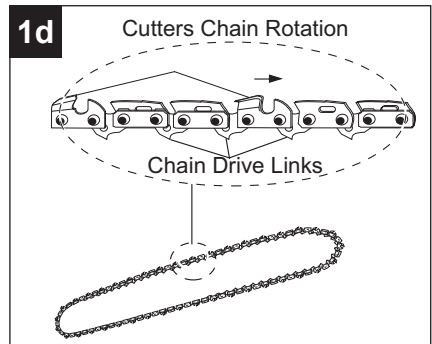


- Lay out the new saw chain in a loop and straighten any kinks. The cutters should face in the direction of chain rotation. If they face backwards, turn the loop over.
  - Place the chain drive links into the bar groove.
- Note:** Make certain of direction of the chain.

- Position the chain so there is a loop at the back of the bar.
- Hold the chain in position on the bar and place the loop around the sprocket.
- Fit the bar flush against the mounting surface so that the bar studs are in the long slot of the bar. Ensure that the chain is over the sprocket.

**Note:** When placing the bar on the bar studs, ensure that the adjusting pin is in the chain tension pin hole.

- Replace the chain cover.
- Remove all slack from the chain by turning the chain adjustment screw (P) clockwise until the chain seats snugly against the bar with the drive links in the bar groove.

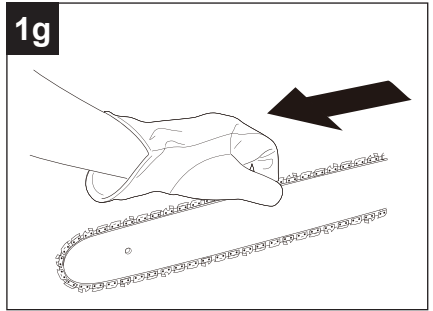
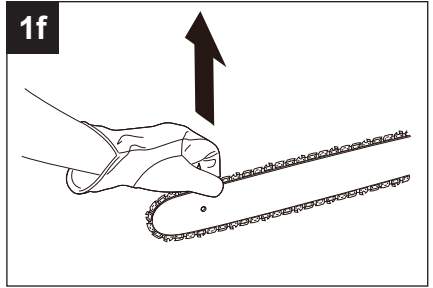


## CARE AND MAINTENANCE

- 1f. Lift the tip of the guide bar up to check for sag.
- Release the tip of the guide bar and turn the chain adjustment screw 1/2 turn clockwise. Repeat this process until sag does not exist.
  - Hold the tip of the guide bar up and tighten the chain cover lock nuts (K) with the wrench (O). The chain is correctly tensioned when there is no sag on the underside of the guide bar, the chain is snug, but it can be turned by hand without binding.

**Note:** If the chain is too tight, it will not rotate.

Loosen the chain cover lock nuts (K) slightly and turn the chain adjustment screw 1/4 turn counterclockwise. Lift the tip of the guide bar up and retighten the chain cover lock nuts (K). Ensure that the chain will rotate without binding.

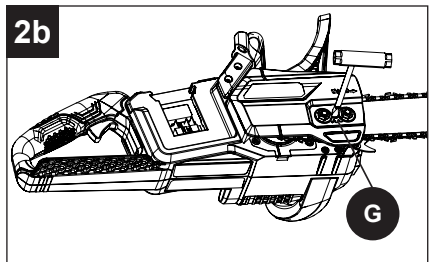
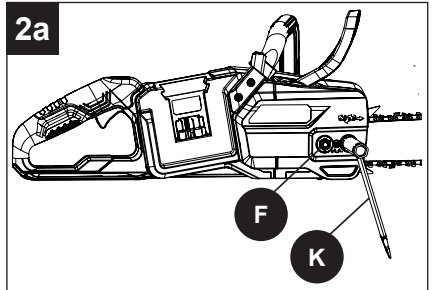


## 2. Adjusting the chain tension

### WARNING

Never touch or adjust the chain while the motor is running. The chain saw is very sharp. Always wear protective gloves when performing maintenance on chain.

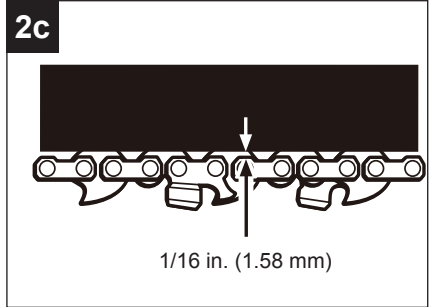
- 2a. Loosen the chain cover lock nuts (F) with the supplied wrench (K). The chain cover lock nuts (F) do not have to be completely removed in order to adjust the chain tension.
- 2b. Rotate the chain adjustment screw (G) clockwise to increase the chain tension and rotate counterclockwise to decrease the chain tension.
- Once the chain is at the desired tension, tighten the chain cover lock nuts (F).



## CARE AND MAINTENANCE

**Note:** During normal saw operation, the temperature of the chain increases. The drive links of a correctly tensioned warm chain will hang approximately 1/16 in. (1.58 mm) out of the bar groove.

**Note:** New chains tend to stretch; check the chain tension frequently and tension as required.



## CARE AND MAINTENANCE

### 3. Chain maintenance

Use only a low-kickback chain on this saw. This fast-cutting chain provides kickback reduction when properly maintained. For smooth and fast cutting, maintain the chain properly. The chain requires sharpening when the wood chips are small and powdery, the chain must be forced through the wood during cutting, or the chain cuts to one side. During maintenance of the chain, consider the following:

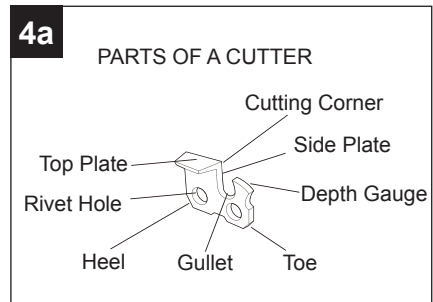
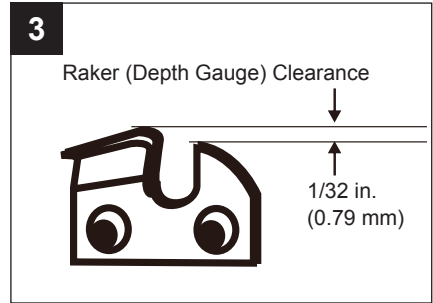
- Improper filing angle of the side plate can increase the risk of severe kickback.
- Raker (depth gauge) clearance.
- Too low increases the potential for kickback.
- Not low enough decreases cutting ability.
- If the cutter teeth hit hard objects such as nails or stones, or are abraded by mud or sand on the wood, have an authorized service center sharpen the chain.

#### Note:

- Inspect the sprocket for wear or damage when replacing the chain. If signs of wear or damage are present in the areas indicated, have the sprocket replaced by an authorized service center.
- If you do not fully understand the correct procedure for sharpening the chain after reading the instructions that follow, have the saw chain sharpened by an authorized service center or replace with a recommended low-kickback chain.

### 4. How to sharpen the cutters

- Be careful to file all cutters to the specified angles and to the same length, as fast cutting can be obtained only when all cutters are uniform.
- Tension the chain prior to sharpening.
- Use a 5/32 in. (4 mm) diameter round file and holder. Do all of your filing at the midpoint of the bar.
- Keep the file level with a top plate of the tooth. Do not let the file dip or rock.
- Using light but firm pressure. Stroke towards the front corner of the tooth.
- Lift the file away from the steel on each return stroke.

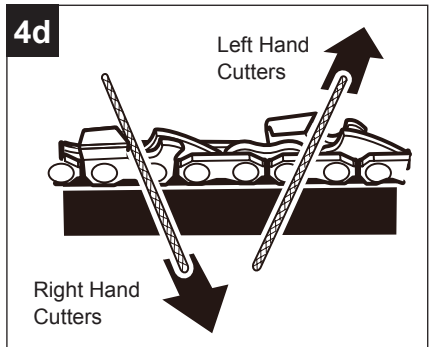
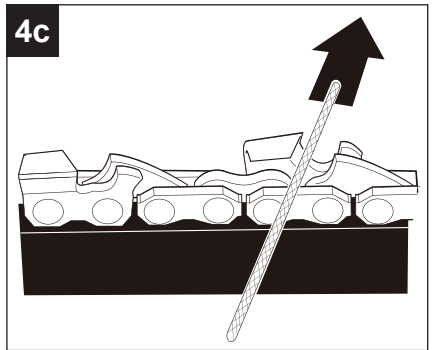
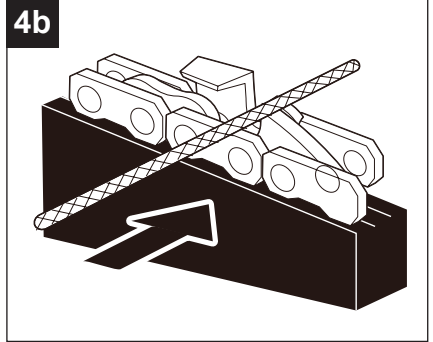


## CARE AND MAINTENANCE

- Put a few firm strokes on every tooth. File all left hand cutters in one direction. Then move to the other side and file the right hand cutters in the opposite direction.
- Remove filings from the file with a wire brush.

### WARNING

- Improper chain sharpening increases the potential of kickback. Failure to replace or repair damaged chain can cause serious injury.



## CARE AND MAINTENANCE

### Top plate filing angle

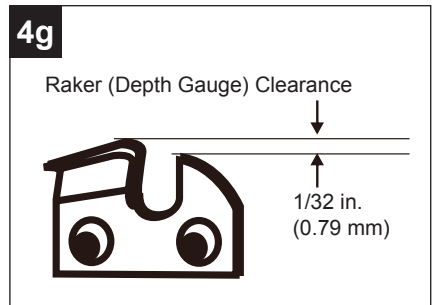
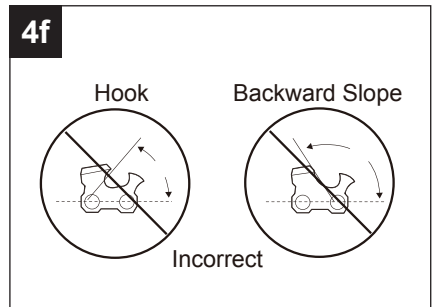
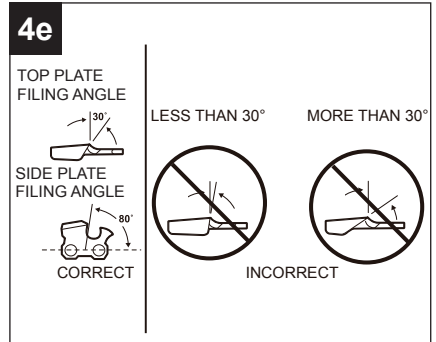
- CORRECT 30° – file holders are marked with guide marks to align file properly to produce correct top plate angle.
- LESS THAN 30° – for cross cutting.
- MORE THAN 30° – feathered edge dulls quickly.

### Side plate angle

- Correct 80° – Produced automatically if you use the correct diameter file in the file holder.
- Hook – “Grabs” and dulls quickly; increases the potential of kickback. Results from using a file with a diameter too small or a file held too low.
- Backward Slope – Needs too much feed pressure; causes excessive wear to the bar and chain. Results from using a file with a diameter too large or file held too high.

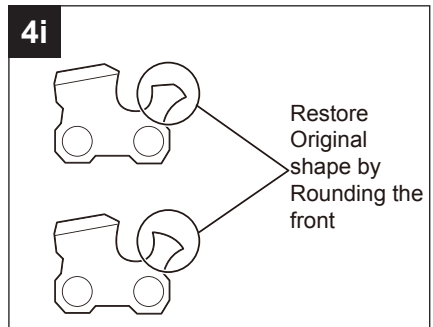
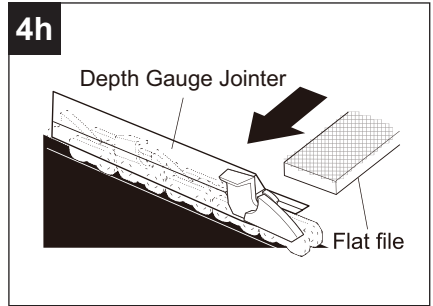
### Side plate angle

- Maintain the depth gauge at a clearance of 1/32 in. (0.79 mm). Use a depth gauge tool for checking the depth gauge clearances.
- Every time the chain is filed, check the depth gauge clearance.



## CARE AND MAINTENANCE

- Use a flat file and a depth gauge jointer to lower all gauges uniformly.
- Use a 1/32 in. (0.79 mm) depth gauge jointer. After lowering each depth gauge, restore original shape by rounding the front. Be careful not to damage adjoining drive links with the edge of the file.
- Depth gauges must be adjusted with the flat file in the same direction the adjoining cutter was filed with the round file.
- Use care not to contact cutter face with flat file when adjusting depth gauges.

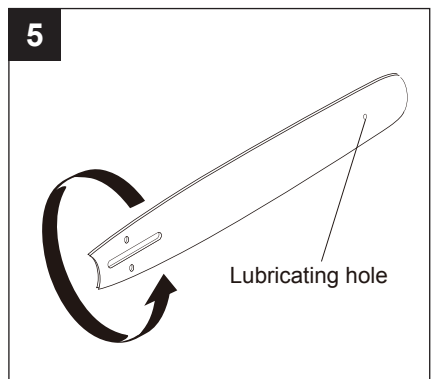


### 5. Maintaining the guide bar

Every week of use, reverse the guide bar on the saw to distribute the wear for maximum bar life. The bar should be cleaned every day of use and checked for wear and damage. Feathering or burring of the bar rails is a normal process of bar wear. Such faults should be smoothed with a file as soon as they occur. A bar with any of the following faults should be replaced:

- Wear inside the bar rails that permits the chain to lay over sideways
- Bent guide bar
- Cracked or broken rails
- Spread rails

Lubricate guide bars weekly with a sprocket at their tip. Using a grease syringe, lubricate weekly in the lubricating hole. Turn the guide bar and check that the lubrication holes and chain groove are free from impurities.



## TROUBLESHOOTING

If you still have questions or an unresolved issue after going through this troubleshooting guide, or just want to speak to a KOBALT product expert, please call our KOBALT customer service department at **888-356-2258**, 8 a.m. - 8 p.m., EST, Monday - Sunday or [ascs@lowes.com](mailto:ascs@lowes.com).

PROBLEM	POSSIBLE CAUSE	CORRECTIVE ACTION
Bar and chain running hot and smoking.	Check chain tension for overtightened condition.	Tension chain. Refer to Chain Tension earlier in this manual.
	Chain oil tank empty.	Check oil tank.
Motor runs, but chain is not rotating.	Chain tension too tight.	Re-tension chain. Refer to Chain Tension earlier in this manual.
	Check guide bar and chain assembly.	Refer to Replacing the Bar and Chain earlier in this manual.
	Check guide bar and chain for damage.	Inspect guide bar and chain for damage.
Motor runs, chain rotates but does not cut.	Dull chain.	Sharpen or replace the chain.
	Chain on backwards.	Reverse direction of chain.
Chain saw does not run.	Battery is not charged.	Check the battery charge. If there is no charge, remove the battery and follow the charging procedures in the charger manual.
	Battery is not correctly installed in the chain saw.	Make sure the battery is completely installed in the chain saw. Refer to page 13.
	Chain brake is engaged.	Pull back on the chain brake to disengage.
	A single battery is installed.	Plug (2) Kobalt 24V batteries.

## WARRANTY

### 5-YEAR LIMITED WARRANTY

This KOBALT 24Vx2 Lithium-Ion Cordless 14 in. Chain saw is warranted to the original purchaser from the original purchase date for five (5) years subject to the warranty coverage described herein.

This KOBALT 24Vx2 Lithium-Ion Cordless 14 in. Chain saw is warranted for the original user to be free from defects in material and workmanship.

If you believe that the KOBALT 24Vx2 Lithium-Ion Cordless 14 in. Chain saw is defective at any time during the specified warranty period, simply call our Warranty service (**888-356-2258**) along with proof of purchase.

This warranty is void if: defects in materials or workmanship or damages result from repairs or alterations which have been made or attempted by others or the unauthorized use of nonconforming parts; the damage is due to normal wear, damage is due to abuse (including overloading of the tool beyond capacity), improper maintenance, neglect or accident; or the damage is due to the use of the tool after partial failure or use with improper accessories or unauthorized repair or alteration.

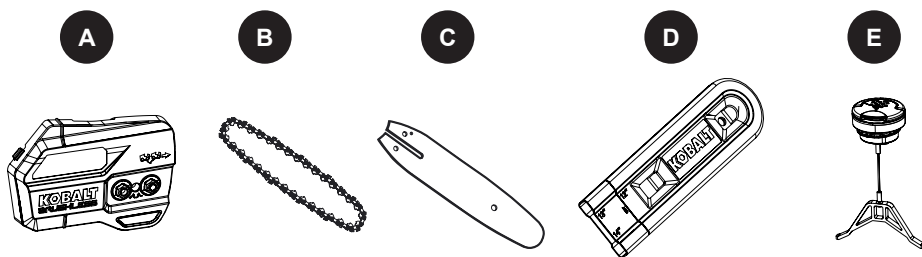
This warranty excludes replacement blades.

This warranty gives you specific legal rights, and you may also have other rights that vary from state to state.

Replacement parts are not covered under warranty.

### REPLACEMENT PARTS LIST

For replacement parts, call our customer service department at **888-356-2258**, 8 a.m. - 8 p.m., EST, Monday - Sunday. You may also contact us at [ascs@lowes.com](mailto:ascs@lowes.com).



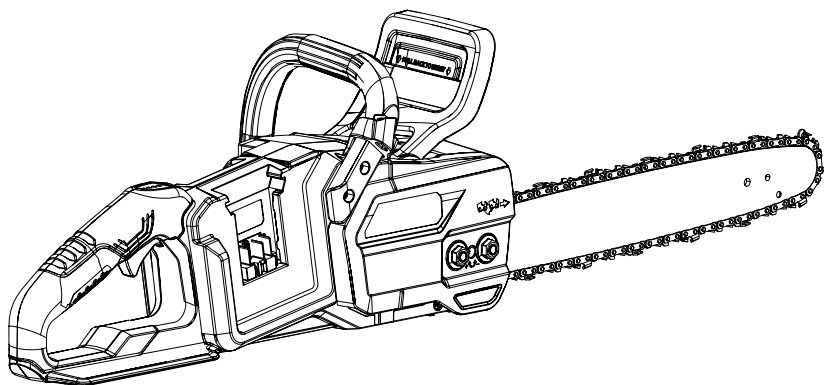
PART	DESCRIPTION	PART #
A	Chain cover assembly	R0106164-00
B	Chain	R0100909-00
C	Bar	R0106163-00
D	Scabbard	R0106162-00
E	Oil cap	R0106281-00

# KOBALT®

KOBALT y el diseño del logotipo son marcas comerciales o marcas registradas de LF, LLC. Todos los derechos reservados.

ARTÍCULO #7915902/6036649  
MODELO #KCS 1448-06/KCS 4224-06

## MOTOSIERRA INALÁMBRICA DE 35.56 CM CON 2 BATERÍAS DE IONES DE LITIO DE 24 V



Número de serie \_\_\_\_\_

Fecha de compra \_\_\_\_\_

Gracias por comprar este producto KOBALT.  
¿Preguntas, problemas o piezas faltantes?  
Antes de devolver, póngase en contacto con nosotros al:  
**888-356-2258**, de lunes a domingo, de 8 a.m. a 8 p.m., hora estándar del Este,  
o escriba a [ascs@lowes.com](mailto:ascs@lowes.com).

## ÍNDICE

---

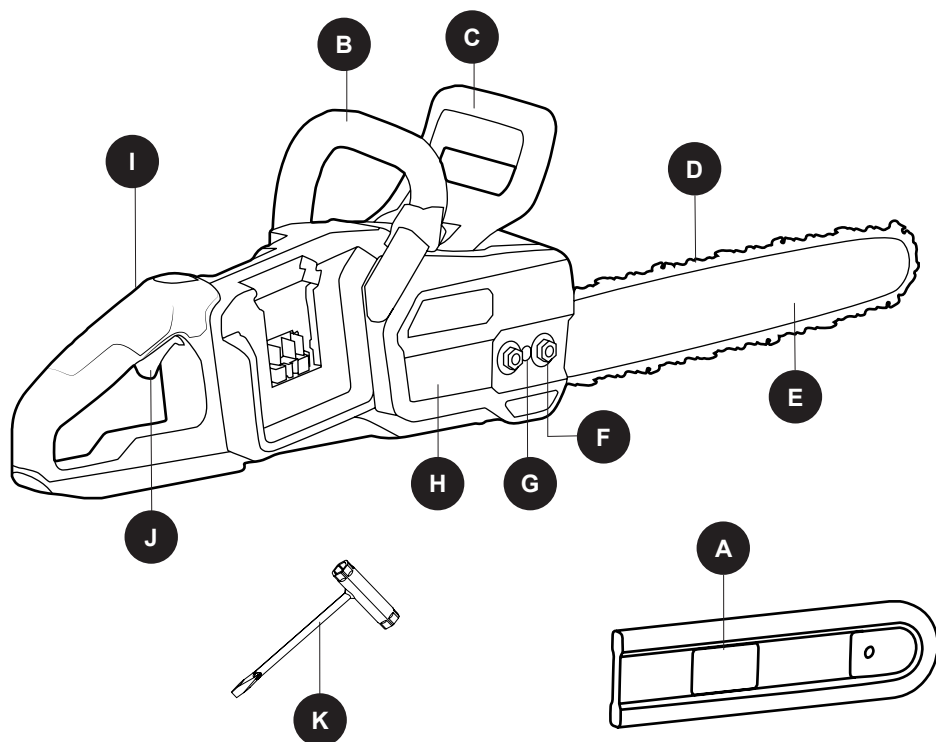
Especificaciones del producto.....	33
Contenido del paquete.....	34
Símbolos.....	35
Información de seguridad.....	37
Preparación.....	43
Instrucciones de ensamblaje.....	44
Instrucciones de funcionamiento.....	46
Cuidado y mantenimiento .....	54
Solución de problemas.....	62
Garantía.....	63
Lista de piezas de repuesto.....	63

## ESPECIFICACIONES DEL PRODUCTO

---

ESPECIFICACIONES	
Voltaje	48V CC
Velocidad de la cadena	20 m/s
Longitud de la barra	35.56 cm (14 pulg.)
Paso de la cadena	9.52 mm (3/8 pulg.)
Calibre de la cadena	1.09 mm (0.043 pulg.)
Tipo de cadena	CL14352
Tipo de barra de guía	M1431452-1041
Capacidad del tanque de aceite de la cadena	230 ml (7.78 oz)
Peso (sin barra, cadena ni batería)	3.25 kg ( 7.17 lb)

## CONTENIDO DEL PAQUETE












PIEZA	DESCRIPCIÓN	CANTIDAD
A	Funda	1
B	Mango frontal	1
C	Protector o freno de cadena	1
D	Cadena de bajo contragolpe	1
E	Barra guía	1
F	Contratuercas de la cubierta de la cadena	1

PIEZA	DESCRIPCIÓN	CANTIDAD
G	Tornillo de ajuste	1
H	Cubierta de cadena	1
I	Dispositivo de seguridad	1
J	Gatillo	1
K	Llave inglesa	1




## SÍMBOLOS

Algunos de los siguientes símbolos pueden aplicarse al uso de este producto. Obsérvelos y aprenda su significado. La interpretación correcta de estos símbolos le permitirá utilizar el producto de manera eficaz y segura.

SÍMBOLOS	EXPLICACIÓN
V	Voltaje
A	Corriente
Hz	Frecuencia (ciclos por segundo)
W	Alimentación
min	Tiempo
	Tipo o característica de corriente
$n_0$	Velocidad de rotación sin carga
/min	Revoluciones, pasadas, velocidad de superficie, órbitas, etc., por minuto
	Precauciones que involucran su seguridad.
	Para reducir el riesgo de lesiones, el usuario debe leer y comprender el manual del operador antes de utilizar este producto.
	No exponga el producto a la lluvia ni lo use en áreas húmedas.
 	Cuando use este producto, utilice protección ocular que cumpla con la norma ANSI Z87.1, así como protección auditiva.
	Use guantes protectores antideslizantes para trabajo pesado cuando manipule la motosierra y la cuchilla.
	Use calzado de seguridad antideslizante cuando utilice este equipo.
	El contacto de la punta puede ocasionar que la barra guía se mueva repentinamente hacia delante y hacia atrás, lo cual puede producir lesiones graves.
	Sostenga y opere la sierra adecuadamente con ambas manos.
	Mantenga a los transeúntes al menos a 15.24 m (50 pies) de distancia.

## SÍMBOLOS

Se usan las siguientes indicaciones y sus significados para explicar los niveles de riesgo asociados a este producto.

SÍMBOLO	INDICACIÓN	SIGNIFICADO
	PELIGRO	Indica una situación de peligro inminente que, de no evitarse, ocasionará la muerte o lesiones graves.
	ADVERTENCIA	Indica una situación potencialmente peligrosa que, de no evitarse, puede ocasionar la muerte o lesiones graves.
	PRECAUCIÓN	Indica una situación potencialmente peligrosa que, de no evitarse, puede ocasionar lesiones menores o moderadas.
	PRECAUCIÓN	(Sin símbolo de alerta de seguridad) Indica una situación que puede ocasionar daños materiales.

## ADVERTENCIA

- Para evitar lesiones personales graves, no intente usar este producto hasta que haya leído y comprendido completamente este manual del propietario. Si no comprende las advertencias e instrucciones de este manual del propietario, no utilice este producto. Llame al **888-356-2258** para obtener ayuda.



La operación de cualquier producto puede provocar que objetos extraños salten a sus ojos y, de esta manera, provoquen graves daños oculares. Antes de operar un producto, use siempre lentes o gafas de seguridad con protecciones laterales y un protector facial cuando sea necesario. Se recomienda una máscara de seguridad de visión amplia sobre los lentes o las gafas de seguridad estándar con protección lateral. Siempre use lentes de protección que cumplan con la norma ANSI Z87.1.

### ADVERTENCIA

Lea todas las advertencias de seguridad, las instrucciones, las ilustraciones y las especificaciones que se incluyen para este producto. *No seguir todas las instrucciones que se detallan a continuación podría provocar descargas eléctricas, incendios o lesiones graves.*

Guarde todas las advertencias e instrucciones para referencia futura. *El término "producto" que aparece en las advertencias se refiere la motosierra que se conecta a la línea principal (con cable) o a la motosierra que funciona con batería (inalámbrica).*

#### 1. SEGURIDAD EN EL ÁREA DE TRABAJO

- **Mantenga el área de trabajo limpia y bien iluminada.** *Las áreas desordenadas u oscuras aumentan las posibilidades de accidentes.*
- **No utilice productos en atmósferas en las que exista riesgo de explosión, como por ejemplo en presencia de líquidos inflamables, gases o polvo.** *Los productos producen chispas que podrían encender el polvo o humo.*
- **Mantenga a los niños y espectadores alejados durante la operación de un producto.** *Las distracciones pueden provocar que pierda el control.*

#### 2. SEGURIDAD ELÉCTRICA

- **Los enchufes de los productos deben encajar en el tomacorriente. Nunca modifique el enchufe de ningún modo. No utilice ningún enchufe adaptador con productos (con puesta a tierra).** *Los enchufes sin modificaciones y que encajan en los tomacorrientes reducen el riesgo de descarga eléctrica.*
- **Evite el contacto del cuerpo con superficies con puesta a tierra, tales como tuberías, radiadores, estufas o refrigeradores.** *Existe un gran riesgo de descarga eléctrica si su cuerpo tiene conexión a tierra.*
- **No exponga los productos a la lluvia o a condiciones de humedad.** *Si ingresa agua en un producto, aumentará el riesgo de descarga eléctrica.*
- **No maltrate el cable. Nunca use el cable para transportar, jalar ni desenchufar el producto. Mantenga el cable alejado del calor, el aceite, los bordes filosos o las piezas en movimiento.** *Los cables dañados o enredados aumentan el riesgo de que se produzca una descarga eléctrica.*
- **Si opera un producto en exteriores, use la extensión eléctrica apropiada para el uso en exteriores.** *El uso de un cable apto para exteriores reduce el riesgo de sufrir una descarga eléctrica.*
- **Si es inevitable utilizar un producto en un lugar húmedo, use un suministro protegido con un interruptor diferencial residual (RCD, por sus siglas en inglés).** *El uso de un RCD disminuye el riesgo de descargas eléctricas.*
- **Use solo baterías KOBALT de 24 voltios (KB 224-03, KB 224-06, KB 324-06, KB 424-03, KB 424A-06, KXB 424-03, KB 424-06, KB 524-03, KB 524-06, KB 624-03, KB 624-06, KXB 824-03, KB 824-06).**
- **Use solo un cargador KOBALT (KRC 2445-03, KCH 2401-03, KDPC 124-03, KRC 2490-03, KCH 2411-03, KRC 2404-03, KCH 324-06, KCH 624-06, KCH 1024-06, KCH 1424-06).**

#### 3. SEGURIDAD PERSONAL

- **Manténgase alerta, preste atención a lo que hace y utilice el sentido común cuando utilice un producto. No utilice un producto si está cansado o bajo los efectos de drogas, alcohol o**

**medicamentos.** *Un momento de desatención mientras opera productos puede provocar lesiones personales graves.*

- **Use equipos de protección personal. Siempre use lentes de protección.** *Los equipos de protección como una mascarilla antipolvo, zapatos de seguridad antideslizantes, un casco o protección para los oídos, utilizados en las condiciones apropiadas, reducirán las lesiones personales.*
- **Evite un arranque accidental. Asegúrese de que el interruptor esté en la posición de apagado antes de conectar la fuente o la batería, levantar o transportar el producto.** *Transportar productos con el dedo en el interruptor o enchufar productos que tienen el interruptor encendido aumenta las posibilidades de accidentes.*
- **Retire todas las llaves de ajuste o llaves inglesas antes de encender el producto.** *Si se deja una llave inglesa o una llave conectada a una pieza giratoria de el producto, se pueden producir lesiones personales.*
- **No se extienda demasiado. Mantenga una postura y un equilibrio adecuados en todo momento.** *Esto permite un mejor control de el producto en situaciones inesperadas.*
- **Use ropa adecuada. No use ropa holgada ni joyas. Mantenga el cabello y la ropa alejados de las piezas en movimiento.** *La ropa holgada, las joyas o el cabello largo pueden quedar atrapados en las piezas en movimiento.*
- **Si se proporcionan dispositivos para la conexión de instalaciones de extracción y recolección de polvo, asegúrese de que se conecten y se usen debidamente.** *La recolección de polvo puede disminuir los peligros relacionados.*
- **No permita que la familiaridad del uso frecuente de los productos lo haga no tener en cuenta los principios de seguridad en el manejo de los productos.** *Un descuido puede ocasionar una lesión grave en cuestión de segundos.*

#### 4. USO Y CUIDADO DEL PRODUCTO

- **No fuerce el producto. Utilice el producto adecuada para su aplicación.** *El producto adecuada realizará un trabajo más seguro y de mejor calidad al ritmo para el que se diseñó.*
- **No utilice el producto si el interruptor no la enciende o apaga.** *Cualquier producto que no pueda controlarse con el interruptor es peligrosa y debe repararse.*
- **Desconecte el enchufe de la fuente de alimentación o retire el paquete de baterías de el producto (si es posible) antes de realizar cualquier ajuste, cambiar accesorios o almacenar productos.** *Este tipo de medidas de seguridad preventivas reduce el riesgo de arranques accidentales de el producto.*
- **Almacene los productos que no estén en uso fuera del alcance de los niños y no permita que personas no familiarizadas con el producto o estas instrucciones la operen.** *Los productos son peligrosas en manos de usuarios sin capacitación.*
- **Realice mantenimiento a los productos y a los accesorios. Revise si hay desalineación o agarrotamiento de piezas móviles o si estas están rotas, así como cualquier otra condición que pueda afectar la operación de los productos.** *Si el producto se daña, hágala reparar antes de usarla. Muchos accidentes son producto del mantenimiento incorrecto de los productos.*
- **Mantenga las herramientas de corte afiladas y limpias.** *Las herramientas de corte con mantenimiento adecuado y bordes de corte afilados son menos propensas a trabarse y más fáciles de controlar.*
- **Use el producto, los accesorios, las brocas, etc. de acuerdo con estas instrucciones,**

considerando las condiciones de trabajo y la tarea que desea realizar. *El uso de el producto en operaciones distintas para las que se diseñó podría crear una situación de peligro.*

- **Mantenga las manijas y las superficies de agarre secas, limpias y sin aceite ni grasa.** *Los mangos y las superficies de agarre resbaladizos no permiten manipular ni controlar la herramienta de forma segura en situaciones inesperadas.*

### 5. USO Y CUIDADO DE LA HERRAMIENTA A BATERÍA

- **Recargue solo con el cargador especificado por el fabricante.** *Un cargador adecuado para un tipo de paquete de baterías puede generar un riesgo de incendio cuando se usa con otro paquete de baterías.*
- **Use productos solo con paquetes de baterías designados específicamente.** *El uso de cualquier otro paquete de baterías puede crear un riesgo de lesión e incendio.*
- **Cuando el paquete de baterías no esté en uso, aléjelo de objetos metálicos, como sujetapapeles, monedas, llaves, clavos, tornillos u otros objetos metálicos pequeños que pudieran crear una conexión entre los terminales.** *Es posible que conectar los terminales de la batería entre sí produzca quemaduras o un incendio.*
- **En condiciones de maltrato, es posible que salga líquido de la batería. Evite el contacto. Si se produce un contacto accidental, enjuague con agua. Si el líquido entra en contacto con los ojos, busque atención médica adicional.** *El líquido que sale de la batería puede provocar irritación o quemaduras.*
- **No utilice un paquete de baterías ni un producto si están dañados o modificados.** *Las baterías dañadas o modificadas pueden presentar un comportamiento impredecible que puede provocar un incendio, explosión o riesgo de lesión.*
- **No exponga el paquete de baterías ni el producto al fuego o a una temperatura excesiva.** *La exposición al fuego o temperaturas superiores a 130 °C (265 °F) puede provocar una explosión.*
- **Siga todas las instrucciones de carga y no cargue el paquete de baterías ni el producto fuera del rango de temperatura especificado en las instrucciones.** *La carga inadecuada o a temperaturas fuera del rango especificado podría dañar la batería y aumentar el riesgo de incendio.*

### 6. REPARACIÓN

- **Permita que solo una persona capacitada repare el producto, mediante el uso solo de piezas de repuesto idénticas.** *Esto mantendrá la seguridad de el producto.*
- **Nunca realice mantenimiento a los paquetes de baterías.** *Solo el fabricante o proveedores de servicio autorizados pueden realizar el mantenimiento de los paquetes de baterías.*

### 7. ADVERTENCIAS GENERALES DE SEGURIDAD DE LA MOTOSIERRA

- **Mantenga todas las partes del cuerpo alejadas de la cadena de la motosierra cuando la motosierra esté en funcionamiento. Antes de arrancar la motosierra, asegúrese de que la cadena de la sierra no esté en contacto con nada.** *Un momento de desatención mientras opera las motosierras puede provocar el enredo de su ropa o su cuerpo con la motosierra.*
- **Sostenga siempre la motosierra con la mano derecha en la manija posterior y la mano izquierda en la manija delantera.** *Sostener la motosierra con una configuración de manos invertida aumenta el riesgo de lesiones personales. Esto no debe hacerse nunca.*
- **Sostenga la motosierra de las superficies de agarre aisladas solamente, ya que la cadena de la sierra puede entrar en contacto con el cableado oculto.** *Las cadenas de sierra que entren en*

## **⚠ INFORMACIÓN DE SEGURIDAD**

---

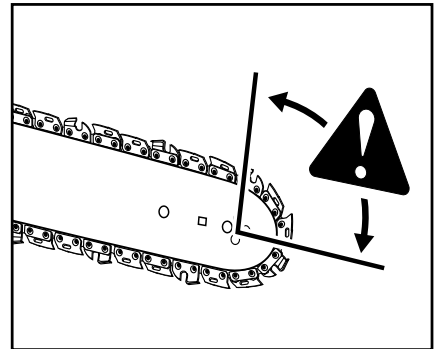
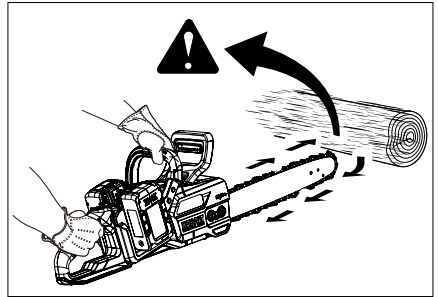
*contacto con un cable “energizado” puede hacer que las piezas metálicas expuestas del producto “se energicen” y esto podría provocarle una descarga eléctrica al operador.*

- **Use lentes de protección. Se recomienda usar también equipos de protección para los oídos, la cabeza, las manos, las piernas y los pies.** *El equipo protector adecuado reducirá las lesiones personales por desechos eyectados o por el contacto accidental con la cadena de la motosierra.*
- **No opere una motosierra en una escalera, en un tejado o en cualquier soporte inestable.** *La operación de una motosierra de esta manera podría resultar en lesiones personales graves.*
- **Mantenga siempre una postura adecuada y opere la motosierra solo cuando se encuentre en una superficie fija, segura y nivelada.** *Las superficies resbalosas o inestables pueden provocar una pérdida de equilibrio o control del producto.*
- **Cuando corte una rama que esté bajo tensión, esté alerta por si regresa a su sitio.** *Cuando la tensión de las fibras de la madera se libere, la rama accionada por resorte puede golpear al operador o poner la motosierra fuera de control.*
- **Tenga mucho cuidado cuando corte maleza y árboles jóvenes.** *El material más liviano puede enredarse en la motosierra y ser lanzado contra usted o hacerle perder el equilibrio.*
- **Transporte la motosierra por la manija delantera con la motosierra apagada y alejada de su cuerpo.** *Cuando transporte o almacene la motosierra, siempre ajuste la cubierta de la barra guía. El manejo adecuado de la motosierra reducirá la probabilidad de contacto accidental con el movimiento de la motosierra.*
- **Siga las instrucciones para lubricar, tensionar la cadena y cambiar la barra y la cadena.** *Una cadena tensionada o lubricada de manera incorrecta puede romperse o aumentar la probabilidad de contragolpe.*
- **Corte solo madera. No use la motosierra para fines no previstos.** *Por ejemplo: no utilice una motosierra para cortar metal, plástico, mampostería o materiales de construcción que no sean de madera. El uso de la motosierra en operaciones distintas para las que fue diseñada podría crear una situación de peligro.*
- **No intente talar un árbol hasta que comprenda los riesgos y cómo evitarlos.** *El operador o los transeúntes podrían sufrir lesiones graves al talar un árbol.*
- **No opere una motosierra en un árbol a menos que haya recibido capacitación específica para hacerlo.** *La operación de una motosierra en un árbol sin la capacitación adecuada podría aumentar el riesgo de sufrir lesiones personales graves.*
- **Siga todas las instrucciones al retirar material atascado, almacenar o dar servicio a la motosierra. Asegúrese de que el interruptor esté apagado y que se haya retirado el paquete de baterías.** *El encendido inesperado de la motosierra mientras se limpia el material atascado o se realiza mantenimiento puede provocar lesiones personales graves.*

## 8. CAUSAS Y PREVENCIÓN DE UN CONTRAGOLPE DEL OPERADOR

El contragolpe puede ocurrir cuando la punta de la barra guía toca un objeto, o cuando la madera se cierra y aprieta la cadena de la sierra en el corte. El contacto con la punta en algunos casos puede causar una reacción inversa repentina, empujando la barra guía hacia arriba y hacia el operador. Apretar la cadena de la sierra a lo largo de la parte superior de la barra guía puede mover la barra guía rápidamente hacia atrás, hacia el operador. Cualquiera de estas reacciones puede hacer que pierda el control de la sierra, lo que podría provocar lesiones personales graves. No confíe exclusivamente en los dispositivos de seguridad incorporados en la sierra. Como usuario de una motosierra, debe tomar varias medidas para realizar sus trabajos de corte sin provocar accidentes o lesiones. El contragolpe es la consecuencia del uso inadecuado de la motosierra o de condiciones o procedimientos de funcionamiento incorrectos, y se puede evitar al tomar precauciones adecuadas como se indica a continuación:

- **Mantenga un agarre firme, con los pulgares y los dedos rodeando los mangos de la motosierra, con ambas manos en la sierra y ubique su cuerpo y el brazo de forma tal que le permita resistir las fuerzas de contragolpe.** El operador puede controlar el contragolpe si se toman las precauciones adecuadas. No suelte la motosierra.
- **No se extienda demasiado y no corte por encima de la altura de los hombros.** Esto ayuda a evitar el contacto involuntario con la punta y permite un mejor control de la motosierra en situaciones inesperadas.
- **Utilice únicamente barras y cadenas de repuesto especificadas por el fabricante.** Las barras y cadenas de repuesto incorrectas pueden causar roturas de la cadena o contragolpe.
- **Siga las instrucciones de afilado y mantenimiento del fabricante para la cadena de la sierra.** La disminución de la altura del medidor de profundidad puede provocar un mayor contragolpe.



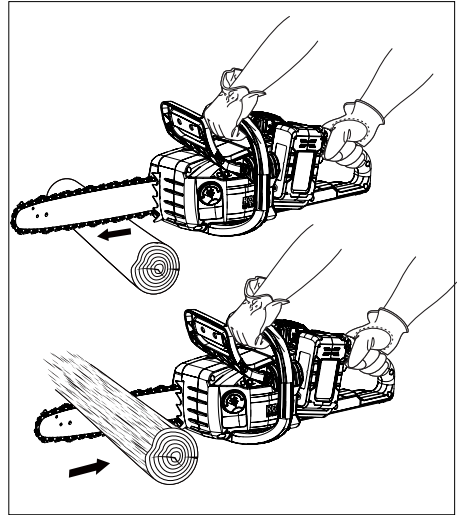
## **▲ INFORMACIÓN DE SEGURIDAD**

- Avance y retroceso: esta fuerza de reacción es siempre opuesta a la dirección en la que se mueve la cadena cuando se hace contacto con la madera. Por lo tanto, el operador debe estar listo para controlar el **RETROCESO** al cortar en el borde inferior de la barra, y el **AVANCE** al cortar a lo largo del borde superior.

### **Comprensión de los dispositivos de seguridad de la motosierra**

#### **Cadena de motosierra de bajo contragolpe**

Los rastrillos (medidores de profundidad) delante de cada cortador pueden minimizar la fuerza de una reacción de contragolpe, ya que evitan que los cortadores se hundan demasiado en la zona de contragolpe. Utilice únicamente cadenas de repuesto que sean equivalentes a las cadenas originales o que hayan sido certificadas como cadenas de bajo contragolpe según ANSI B175.1. La cadena para sierras dentadas de bajo contragolpe o de deslizamiento es una cadena que cumple con los requisitos de rendimiento de contragolpe de la norma ANSI B175.1 - 1991 (Norma nacional estadounidense para herramientas eléctricas - Sierras de cadena a gasolina - Requisitos de seguridad) cuando se prueban en la muestra representativa de motosierras que se especifica en 3.8 c.i.d. de la norma ANSI B175.1-1991. A medida que las cadenas de sierra se afilan durante su vida útil, pierden algunas de las cualidades de bajo contragolpe y se debe tener más cuidado.



### **9. RANGO DE TEMPERATURA AMBIENTE RECOMENDADO:**

<b>ARTÍCULO</b>	<b>TEMPERATURA</b>
Rango de temperatura de almacenamiento del electrodoméstico	0 °C (32 °F) - 45 °C (113 °F)
Rango de temperatura de operación del electrodoméstico	0 °C (32 °F) - 45 °C (113 °F)
Rango de temperatura de carga de la batería	4 °C (39 °F) - 40 °C (104 °F)
Rango de temperatura de funcionamiento del cargador	4 °C (39 °F) - 40 °C (104 °F)
Rango de temperatura de almacenamiento de la batería	0 °C (32 °F) - 45 °C (113 °F)
Rango de temperatura de descarga de la batería	0 °C (32 °F) - 45 °C (113 °F)

## INFORMACIÓN DE SEGURIDAD

---

### ADVERTENCIA (PROPUESTA 65)

Parte del polvo causado por el lijado eléctrico, el serruchado, la trituración, el taladrado y otras actividades de la construcción contienen productos químicos que causan cáncer, defectos congénitos u otros daños en el aparato reproductivo. Algunos ejemplos de estos productos químicos son:

- Plomo de pinturas a base de plomo.
- Sílice cristalina de ladrillos, cemento y otros productos de mampostería, y
- Arsénico y cromo de madera tratada con químicos.

El riesgo que corre debido a la exposición a estos productos químicos varía según la frecuencia con que realiza este tipo de trabajo. Para reducir su exposición a estos productos químicos, trabaje en un área bien ventilada y utilice un equipo de seguridad aprobado, como las mascarillas antipolvo especialmente diseñadas para filtrar estas partículas microscópicas.

## PREPARACIÓN

---

Antes de comenzar a ensamblar el producto, asegúrese de tener todas las piezas. Compare las piezas con la lista del contenido del paquete y la lista de aditamentos. No intente ensamblar el producto si falta alguna pieza o si estas están dañadas.

**Tiempo estimado de ensamblaje: 5 a 10 minutos**

## INSTRUCCIONES DE ENSAMBLAJE

---

### ADVERTENCIA

- Si hay piezas dañadas o faltantes, no utilice el producto hasta que las haya reemplazado. El uso de este producto con piezas dañadas o faltantes podría causar lesiones personales graves.
- No intente modificar este producto ni crear accesorios que no sean recomendados para utilizar con este producto. Cualquier alteración o modificación se considera un uso inadecuado y podría causar una condición peligrosa que podría producir lesiones personales graves.

### ADVERTENCIA

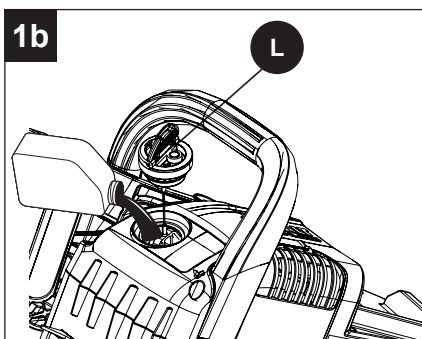
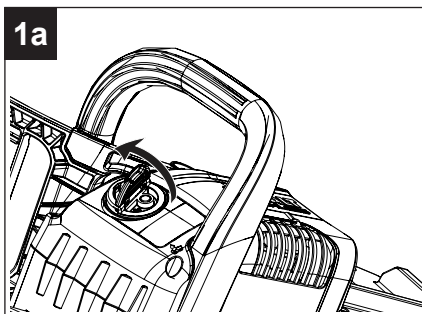
- No se descuide por el hecho de conocer el producto. Recuerde que un descuido de una fracción de segundo es suficiente para provocar lesiones graves.
- No use ningún acoplamiento o accesorio que el fabricante de este producto no recomiende. El uso de acoplamientos o accesorios no recomendados puede producir lesiones personales graves.

### 1. Para aplicar lubricante para la barra y la cadena

Use lubricante para la barra y la cadena (no se incluye) con este producto. Está diseñado para cadenas y lubricador de cadenas y se formuló para funcionar bajo un extenso rango de temperatura sin tener que diluir.

**Nota:** esta motosierra viene de fábrica sin lubricante aplicado para la barra y la cadena. También se debe revisar el nivel luego de cada 20 minutos de uso y se debe rellenar según sea necesario.

- Abra la cubierta desmontable y gírela en dirección contraria a las manecillas del reloj para extraerla.
- Retire la tapa del aceite (L).
- Vierta con cuidado el aceite para barras y cadenas en el tanque.
- Limpie el exceso de aceite y vuelva a colocar la tapa.
- Compruebe y llene el tanque de aceite cuando el indicador de aceite de vista rápida esté por debajo de la línea MIN (mínimo).
- Repita según sea necesario.



**Nota:** no utilice aceites sucios, usados o contaminados de cualquier otro modo. Se pueden producir daños en la barra o la cadena. Es normal que se filtre aceite de la sierra cuando esta no está en uso. Para evitar filtraciones, vacíe el tanque de aceite después de cada uso y, luego, hágalo funcionar durante un minuto. Cuando almacene la unidad por un período largo (tres meses o más), asegúrese de que la cadena esté ligeramente lubricada; esto evitará que se oxide la cadena y la rueda dentada de la barra.

### ADVERTENCIA

- Para preservar los recursos naturales, recicle o elimine el aceite de forma adecuada. Consulte a la autoridad reguladora de desechos local para obtener información sobre las opciones de reciclaje o eliminación disponible.

### **⚠ IMPORTANTE**

- Las baterías solo estarán medio cargadas cuando en el momento de la compra. Antes de usar la motosierra por primera vez, inserte las baterías en el cargador de baterías y cárguelas completamente. Asegúrese de leer todas las precauciones de seguridad y siga las instrucciones que se encuentran en los manuales de la batería y el cargador. Cuando almacene la motosierra durante un período prolongado, retire las baterías. Cuando vaya a volver a utilizar la motosierra, cargue las baterías al menos durante un período de carga completo. La batería no tiene efecto memoria.

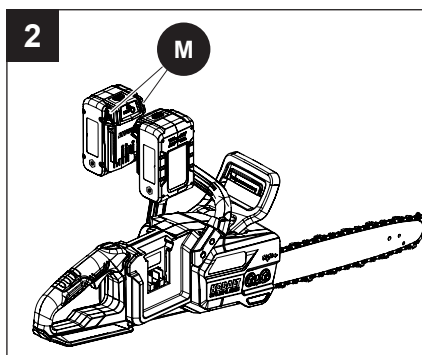
## 2. Instalación y remoción de las baterías

### 2a. Para instalar las baterías

- Alinee las baterías con la abertura de la batería.
- Inserte las baterías en la abertura de la batería hasta que los botones de liberación de la batería (M) se traben en su lugar.
- Empuje las baterías hacia abajo hasta que encajen en su lugar. Deberá escuchar un “clic” una vez que se instalen.

**Nota:** el producto requiere (2) baterías Kobalt de 24 V para su funcionamiento.

**Nota:** optimice la potencia y el rendimiento de su nueva máquina 24 x 2 funcionando con ambas baterías cargadas al 100%.



### 2b. Para retirar las baterías

- Presione los botones de liberación de la batería (M) en la batería. Esto hará que la batería se levante y se separe levemente de la herramienta.
- Sujete firmemente la motosierra y extraiga ambas baterías de la abertura.

### **⚠ ADVERTENCIA**

Siga estas instrucciones para evitar lesiones y reducir el riesgo de descarga eléctrica o incendio:

- Reemplace inmediatamente la batería o el cargador si la funda de la batería o el cable del cargador están dañados.
- Verifique que se haya retirado la batería antes de inspeccionar, ajustar o realizar mantenimiento en cualquier parte del producto.
- Lea, comprenda y siga las instrucciones que aparecen en el manual del cargador.

## INSTRUCCIONES DE FUNCIONAMIENTO

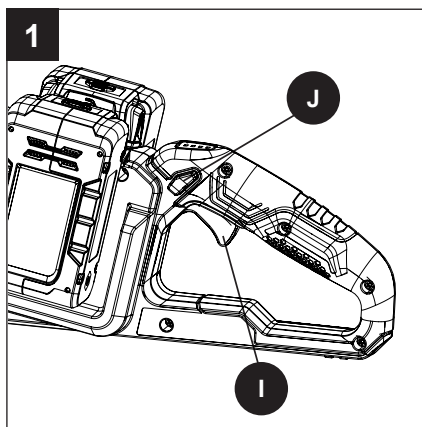
### 1. Arranque y detención del producto

#### **⚠ ADVERTENCIA**

Mantenga el cuerpo a la izquierda de la línea de la cadena. Nunca se coloque sobre la sierra o la cadena, ni se incline más allá de la línea de la cadena.

#### 1a. Para arrancar el producto

- Asegúrese de que la tensión de la cadena esté en el ajuste deseado. Consulte el ajuste de la tensión de la cadena en la sección Cuidado y mantenimiento de este manual.
- Asegúrese de que las contratueras de la cubierta de la cadena (F) estén apretadas en la cubierta de la cadena.
- Asegúrese de que no haya objetos u obstrucciones en las inmediaciones que puedan entrar en contacto con la barra y la cadena.
- Inserte las baterías en la motosierra.
- Presione el dispositivo de seguridad (J). Esto hace que el gatillo (I) quede operativo.
- Presione y mantenga presionado el gatillo (I) para el funcionamiento continuo.



#### 1b. Para detener el producto

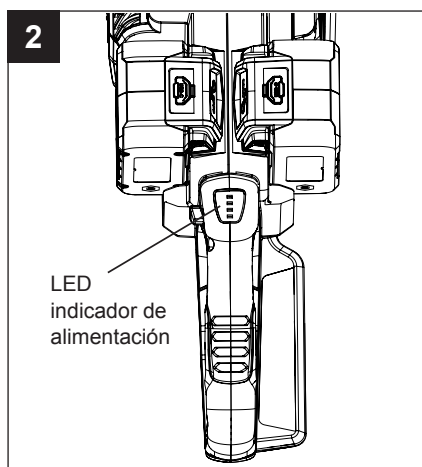
- Suelte el gatillo (I).

Tras soltar el gatillo, el dispositivo de seguridad se restablecerá automáticamente a la posición de bloqueo.

### 2. LED indicador de alimentación

- Esta sierra está equipada con un LED indicador de energía que indica la capacidad actual de la batería con la carga más baja.

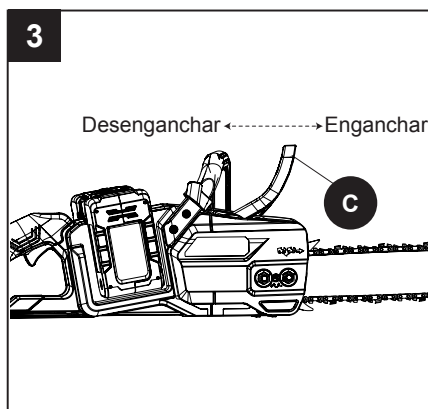
LUCES	CAPACIDAD
4 luces LED	La batería está sobre el 80% de su capacidad.
3 luces LED	La batería está entre el 80% y el 60% de su capacidad.
2 luces LED	La batería está entre el 60% y el 40% de su capacidad.
1 luz LED	La batería está entre el 40% y el 20% de su capacidad.
Luces apagadas	La batería está a menos del 10% de su capacidad y requiere cambiarse inmediatamente.



## INSTRUCCIONES DE FUNCIONAMIENTO

### 3. Freno de cadena mecánico

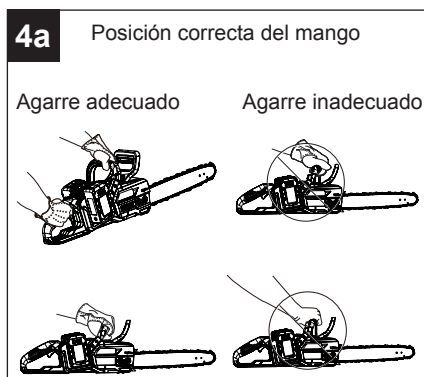
- Esta sierra está equipada con un freno de cadena mecánico (C).
- El freno de la cadena (C) se activa si se produce un contragolpe durante el uso.
- Para soltar el freno de cadena (I), jale del protector.



### 4. Preparación para cortar

Consulte las Reglas generales de seguridad para conocer el equipo de seguridad adecuado.

- Use guantes antideslizantes para lograr un nivel máximo de agarre y protección.
- Sostenga firmemente la sierra con ambas manos. Mantenga siempre la mano izquierda en el mango frontal y la mano derecha en el mango posterior, de modo que su cuerpo quede a la izquierda de la línea de la cadena.
- Mantenga un agarre adecuado de la sierra siempre que el motor esté funcionando. Los dedos deben rodear el mango, con el pulgar envuelto bajo el manillar. Es menos probable que este agarre se interrumpa por un contragolpe u otra reacción repentina de la sierra. Cualquier agarre en el que el pulgar y los dedos estén en el mismo lado del mango es peligroso, ya que un ligero golpe de la sierra puede causar la pérdida del control.



## INSTRUCCIONES DE FUNCIONAMIENTO

### ⚠ ADVERTENCIA

- NO opere el interruptor tipo gatillo con la mano izquierda mientras sostiene el mango frontal con la mano derecha. Nunca permita que ninguna parte de su cuerpo esté en la línea de la cadena mientras opera una sierra.
- Nunca use un agarre con la mano izquierda (con las manos cruzadas) ni ninguna postura que pueda atravesar la línea de la cadena con el cuerpo o el brazo.

#### Posición de corte adecuada

- Equilibre su peso con ambos pies en terreno firme.
- Mantenga el brazo izquierdo con el codo bloqueado en posición de “brazo recto” para soportar cualquier fuerza de contragolpe.
- Mantenga el cuerpo a la izquierda de la línea de la cadena.
- Mantenga el pulgar en la parte inferior del mango frontal.

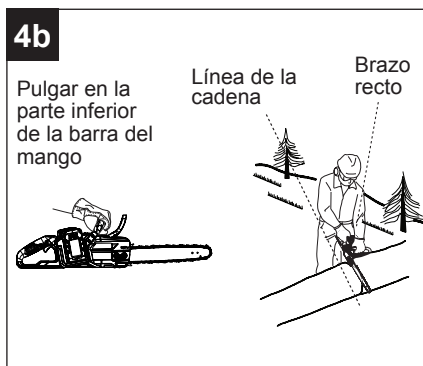
#### Procedimientos básicos de operación/corte

Practique cortando algunos troncos pequeños con la siguiente técnica para obtener la “sensación” de usar la sierra antes de comenzar una operación de aserrado más importante.

- Tome la posición adecuada frente a la madera.
- Presione el dispositivo de seguridad y apriete el gatillo, luego suelte el dispositivo de seguridad y deje que la cadena acelere a toda velocidad antes de comenzar el corte.
- Comience a cortar con la sierra contra el tronco.
- Mantenga la unidad en funcionamiento todo el tiempo que esté cortando y mantenga una velocidad constante.
- La cadena cortará por usted; solo ejerza una leve presión hacia abajo. Forzar el corte podría causar daños a la barra, la cadena o el motor.
- Suelte el gatillo tan pronto como termine el corte y permita que la cadena se detenga. Si hace funcionar la sierra sin carga de corte, puede producirse un desgaste innecesario de la cadena, la barra y la unidad.
- No presione la sierra al final del corte.

#### Precauciones en el área de trabajo

- Corte solo madera o materiales hechos de madera; no corte láminas de metal, plásticos, mampostería o materiales de construcción que no sean de madera.



## INSTRUCCIONES DE FUNCIONAMIENTO

- Nunca permita que los niños utilicen la sierra. No permita que ninguna persona que no haya leído este manual del operador o que no haya recibido las instrucciones adecuadas para el uso seguro y apropiado de esta motosierra utilice la unidad.
- Mantenga a todos (ayudantes, transeúntes, niños y animales) a una **DISTANCIA SEGURA** del área de corte. Durante las operaciones de tala, la distancia segura debe ser al menos el doble de la altura de los árboles más grandes de la zona de tala. Durante las operaciones de trozado, mantenga una distancia mínima de 4.57 m (15 pies) entre los trabajadores.

### 5. Poda de árboles

#### Condiciones peligrosas

#### **⚠** ADVERTENCIA

No tale árboles durante períodos de fuertes vientos o precipitaciones. Espere hasta que termine la situación climática peligrosa.

Al talar un árbol, es importante que tenga en cuenta las siguientes advertencias para evitar posibles lesiones graves.

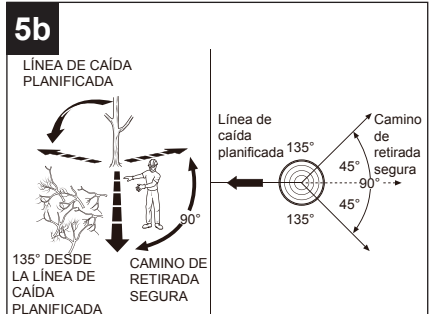
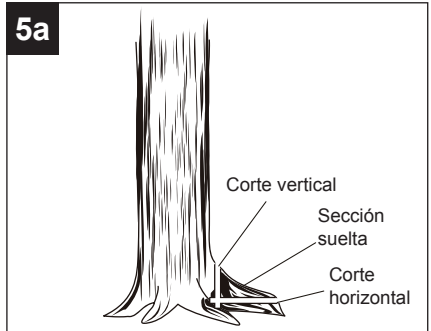
- No corte árboles que tengan una inclinación extrema o árboles grandes con ramas podridas, corteza suelta o troncos huecos. Haga que empujen o arrastren estos árboles con equipo pesado y luego córtelos.
- No corte árboles cerca de cables eléctricos o edificios.
- Revise el árbol en busca de ramas dañadas o muertas que puedan caer y golpearlo durante la tala.
- Periódicamente mire la parte superior del árbol durante el corte para asegurarse de que el árbol va a caer en la dirección deseada.
- Si el árbol comienza a caer en la dirección equivocada, o si la sierra se engancha o queda colgada durante la caída, deje la sierra y sálvese.

#### Eliminación de las raíces gruesas

Una raíz gruesa es una raíz grande que se extiende desde el tronco del árbol por encima del suelo. Quite las raíces gruesas grandes antes de la tala. Haga el corte horizontal en la raíz gruesa primero y luego el corte vertical. Retire la sección suelta resultante del área de trabajo. Siga el procedimiento correcto de tala de árboles como se indica en Procedimiento adecuado para la tala de árboles después de haber retirado las raíces gruesas grandes.

#### Procedimiento adecuado para la tala de árboles

- Tala de un árbol: cuando dos o más personas realizan operaciones de trozado y tala al mismo tiempo, la operación de tala debe estar separada de la operación de trozado por una distancia de al menos el doble de la altura del árbol que se está talando. No se deben talar árboles de manera que pongan en peligro

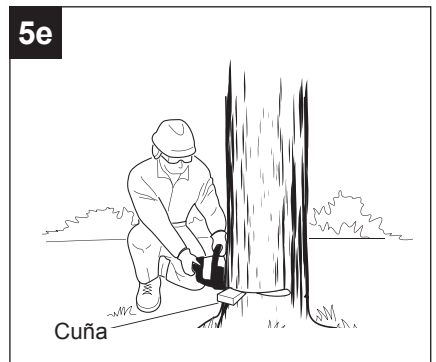
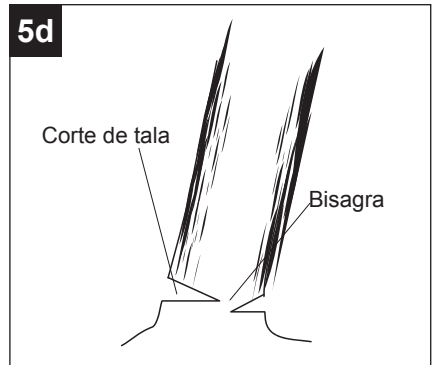
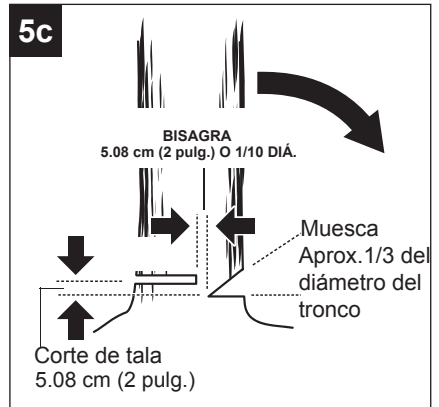


## INSTRUCCIONES DE FUNCIONAMIENTO

a ninguna persona, golpeen cualquier línea de servicios públicos o causen daños a la propiedad. Si el árbol entra en contacto con alguna línea de servicios públicos, se debe notificar inmediatamente a la compañía de servicios públicos.

- El operador debe mantenerse en la parte alta del terreno, ya que es probable que el árbol ruede o se deslice después de la tala.
- Escoja su ruta de escape (o rutas en caso de que la ruta prevista esté bloqueada). Despeje el área inmediata alrededor del árbol y asegúrese de que no haya obstrucciones en su camino de retirada planificado. Despeje el camino de retirada segura aproximadamente a  $135^\circ$  de la línea de caída planificada.
- Considere la fuerza y la dirección del viento, la inclinación y el equilibrio del árbol, y la ubicación de las ramas grandes. Estas cosas influyen en la dirección en la que caerá el árbol. No trate de talar un árbol a lo largo de una línea que no sea la línea natural de caída.
- Retire del árbol la suciedad, las piedras, la corteza suelta, los clavos, las grapas y el alambre donde se van a hacer los cortes de tala. Rebaje con muescas. Corte una muesca de  $1/3$  del diámetro del tronco en el costado del árbol. Haga los cortes de muesca de modo que se crucen en ángulo recto con la línea de caída. Se debe vaciar esta muesca para dejar una línea recta. Para mantener el peso de la madera fuera de la sierra, siempre haga el corte inferior de la muesca antes del corte superior.
- Corte de la tala. A medida que el corte de la tala se acerca a la bisagra, el árbol debe comenzar a caer. Si existe la posibilidad de que el árbol no caiga en la dirección deseada o que se balancee hacia atrás y atasque la cadena de la sierra, detenga el corte antes de que finalice la tala y utilice cuñas de madera, plástico o aluminio para abrir el corte y dejar caer el árbol a lo largo de la línea de caída deseada. Haga el recorte nivelado y horizontal, y a un mínimo de 5.08 cm (2 pulg.) por encima del corte horizontal de la muesca.

**Nota:** nunca corte en la muesca. Siempre deje una banda de madera entre la muesca y el corte de tala (aproximadamente 5.08 cm (2 pulg.) o  $1/10$  del diámetro del árbol). Esto se llama “bisagra” o “madera de bisagra”. Controla la caída del árbol y evita el deslizamiento, la torsión o la expulsión del



## INSTRUCCIONES DE FUNCIONAMIENTO

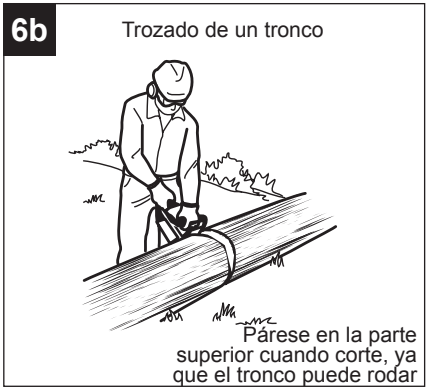
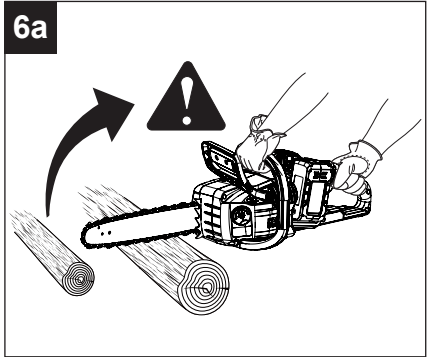
árbol del tocón.

- En árboles de gran diámetro, detenga el corte de tala antes de que sea lo suficientemente profundo como para que el árbol se caiga o se asiente de nuevo en el tocón. Luego inserte cuñas suaves de madera o plástico en el corte para que no toquen la cadena. Las cuñas se pueden introducir poco a poco para ayudar a levantar el árbol.
- Cuando el árbol comience a caer, detenga la motosierra y bájela inmediatamente. Retírese por el camino despejado, pero observe la acción en caso de que algo caiga en su camino.

### 6. Trozado

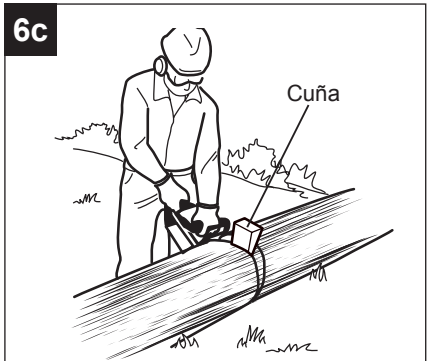
Trozado es el término que se utiliza para cortar un árbol caído al largo de tronco deseado.

- Asegúrese siempre de que su pie esté seguro y de que su peso esté distribuido uniformemente en ambos pies.
- Corte solo un tronco a la vez.
- Apoye los troncos pequeños en un caballete para sierra o en otro tronco mientras realiza el trozado.
- Mantenga un área de corte despejada. Asegúrese de que ningún objeto pueda entrar en contacto con la punta de la barra guía y la cadena durante el corte, ya que esto puede causar un contragolpe. Consulte Contragolpe anteriormente en este manual.
- Cuando troce en una pendiente, siempre párese en el lado cuesta arriba del tronco. Para mantener el control completo de la sierra de cadena cuando corte el tronco, libere la presión de corte cerca del final del corte, sin relajar el agarre de los mangos de la motosierra. No deje que la cadena entre en contacto con el suelo. Después de finalizar el corte, espere a que la cadena de la sierra se detenga antes de mover la motosierra. Siempre detenga el motor antes de pasar de un árbol a otro.



### Trozado con una cuña

Si el diámetro de la madera es lo suficientemente grande para que pueda insertar una cuña de trozado suave sin tocar la cadena, debe usar la cuña para mantener el corte abierto y evitar pellizcos.



## INSTRUCCIONES DE FUNCIONAMIENTO

### Trozado de troncos bajo tensión

Cuando el tronco esté apoyado en un extremo, corte 1/3 del diámetro desde la parte inferior. Luego, realice el corte terminado trozando por encima hasta encontrarse con el primer corte. Cuando el tronco esté apoyado en ambos extremos, corte 1/3 del diámetro desde arriba hacia atrás. Luego, realice el corte terminado trozando por debajo 2/3 de la parte inferior hasta encontrarse con el primer corte.

### Trozado por encima

Comience en la parte superior del tronco con la parte inferior de la sierra contra el tronco; ejerza una ligera presión hacia abajo. Tenga en cuenta que la sierra tenderá a alejarse de usted.

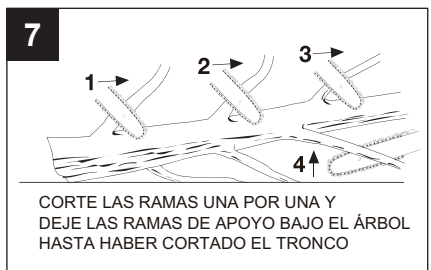
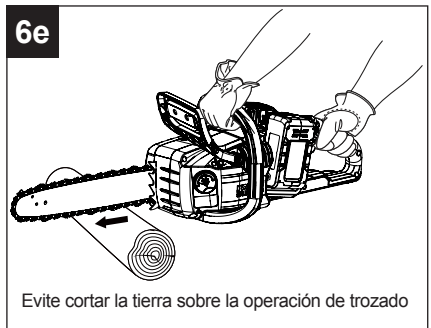
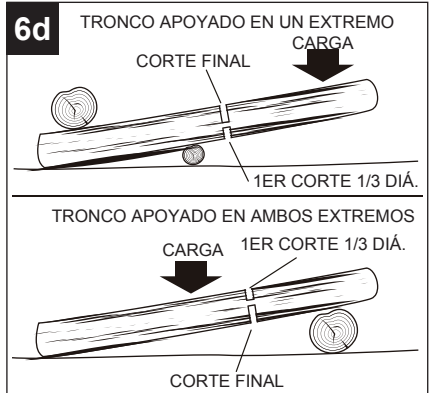
### Trozado por debajo

Comience en la parte inferior del tronco con la parte superior de la sierra contra el tronco; ejerza una ligera presión hacia arriba. Durante el trozado por debajo, la sierra tenderá a desplazarse hacia usted. Esté preparado para esta reacción y sostenga la sierra firmemente para mantener el control.

## 7. Desrame

Desrame es la remoción de ramas de un árbol caído.

- Trabaje lentamente, con ambas manos sobre la motosierra a fin de lograr un agarre firme. Siempre asegúrese de que su pie esté seguro y de que su peso esté distribuido uniformemente en ambos pies.
- Deje las ramas de soporte más grandes debajo del árbol para mantenerlo alejado del suelo mientras lo corta.
- Las extremidades deben cortarse una a la vez. Retire las ramas cortadas del área de trabajo con frecuencia para facilitar la tarea. Mantenga el área de trabajo limpia y segura.
- Las ramas bajo tensión se deben cortar de abajo hacia arriba para evitar que se atore la motosierra.
- Mantenga el árbol entre usted y la motosierra cuando desrame. Corte desde el lado del árbol opuesto a la rama que está cortando.

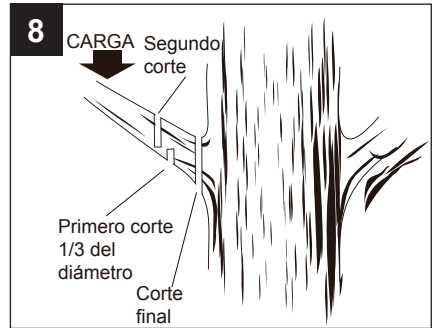


## INSTRUCCIONES DE FUNCIONAMIENTO

### 8. Poda de plantas

La poda de plantas es el corte de ramas de árboles vivos.

- Trabaje lentamente, con ambas manos sobre la motosierra a fin de lograr un agarre firme. Siempre asegúrese de que su pie esté seguro y de que su peso esté distribuido uniformemente en ambos pies.
- No corte desde una escalera. Esto es extremadamente peligroso. Deje esta operación para los profesionales.
- No corte por encima de la altura del pecho, ya que si la sierra se mantiene a mayor altura, será difícil controlarla contra los contragolpes.
- Durante la poda de plantas es importante no hacer el corte final junto a la rama principal o tronco hasta que se haya cortado la rama que se encuentra más afuera para reducir el peso. Esto evita que se desprenda la corteza del miembro principal.
- Troce por debajo de la rama 1/3 para su primer corte.
- Su segundo corte debe ser un trozado por encima para dejar caer la rama.
- Ahora realice el corte de acabado de forma suave y ordenada contra el miembro principal para que la corteza vuelva a crecer y selle la herida.

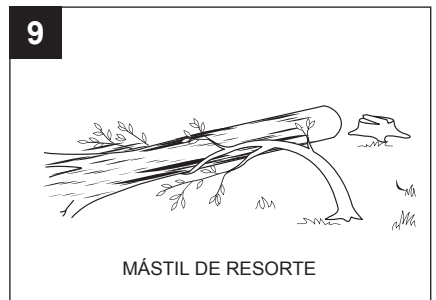


### ⚠ ADVERTENCIA

Si las ramas que se van a podar están por encima de la altura del pecho, contrate a un profesional para que realice la poda.

### 9. Corte de mástiles de resorte

Un mástil de resorte es cualquier tronco, rama, tocón enraizado o árbol joven que se dobla bajo la tensión de otra madera, de modo que resurge hacia atrás si se corta o se retira la madera que lo sujeta. En un árbol caído, un tocón enraizado tiene un alto potencial de volver a la posición vertical durante el corte de trozado para separar el tronco del tocón. Tenga cuidado con los mástiles de resorte, son peligrosos.



### ⚠ ADVERTENCIA

Los mástiles de resorte son peligrosos y pueden golpear al operador, lo que puede hacer que este pierda el control de la motosierra. Esto podría ocasionar lesiones graves o mortales al operador.

## CUIDADO Y MANTENIMIENTO

---

### **⚠ ADVERTENCIA**

- Al realizar mantenimiento, utilice solo piezas de repuesto idénticas. El uso de cualquier otra pieza puede ser peligroso o causar daños en el producto.
- Use siempre gafas o anteojos de seguridad con protectores laterales durante la operación de la herramienta eléctrica o al soplar el polvo. Si hay demasiado polvo durante la operación, use también una mascarilla antipolvo.

### **Mantenimiento general**

Evite utilizar solventes para limpiar las piezas de plástico. La mayoría de los plásticos tienden a dañarse si se usan distintos tipos de solventes comerciales. Utilice paños limpios para eliminar suciedad, polvo, lubricante, grasa, etc.

- Nunca deje que el líquido de frenos, la gasolina, los productos a base de petróleo, los aceites penetrantes, entre otros entren en contacto con las piezas de plástico. Los productos químicos pueden dañar, debilitar o destruir el plástico, lo que puede resultar en lesiones graves.

### **Lubricación**

- Todos los cojinetes de este producto están lubricados con una cantidad suficiente de lubricante de alta calidad para toda la vida útil de la unidad en condiciones normales de funcionamiento. Por lo tanto, no se necesita más lubricación.

### **⚠ ADVERTENCIA**

- Para evitar lesiones personales graves, lea y comprenda todas las instrucciones de seguridad de esta sección.
- Antes de realizar cualquier mantenimiento, asegúrese de retirar la batería. No seguir esta advertencia podría provocar lesiones personales graves.
- Para evitar una lesión grave, nunca toque o ajuste la cadena mientras el motor esté encendido. La cadena de la sierra es muy filosa, use siempre guantes de protección cuando le dé mantenimiento a la cadena.

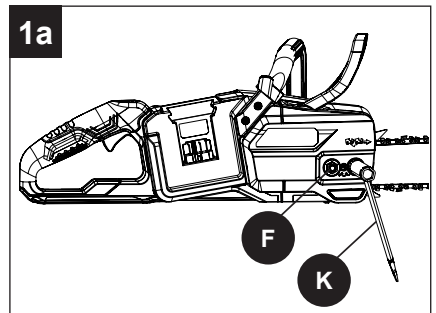
## CUIDADO Y MANTENIMIENTO

---

### **1. Reemplazo de la barra y la cadena**

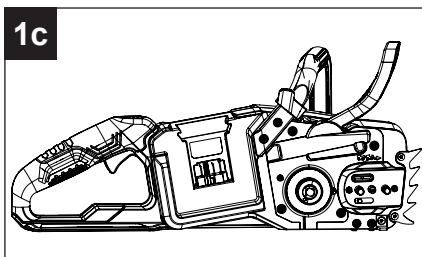
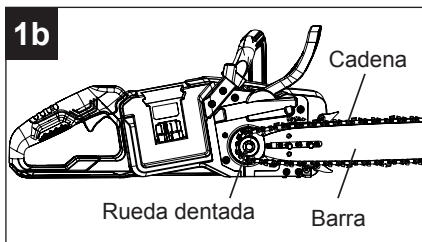
Durante el uso, la cadena se estirará y soltará. Los desechos y el aserrín también pueden recolectarse debajo de la cubierta de la barra. Use los siguientes pasos para realizar mantenimiento a la motosierra y la cadena.

- Retire las baterías de la motosierra.
  - Retire la llave inglesa (K) suministrada del mango delantero.
- 1a. Retire las dos contratueras de la cubierta de la cadena (F) de la cubierta de la cadena girándolas en dirección contraria a las manecillas del reloj con la llave (K).



## CUIDADO Y MANTENIMIENTO

- Retire la cubierta de la cadena de la superficie de montaje.
- 1b. La barra y la cadena ahora se pueden quitar al levantarlas del cuerpo principal de la sierra y soltar la cadena de la rueda dentada.
  - 1c. Retire la cadena vieja de la barra.



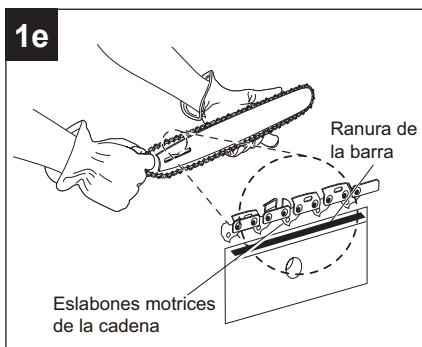
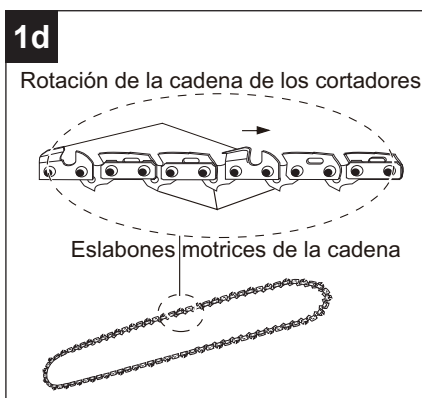
- 1d. Forme un bucle con la nueva cadena de la sierra y enderece cualquier torcedura. Los cortadores deben estar orientados en la dirección de rotación de la cadena. Si miran hacia atrás, voltee el bucle.
- 1e. Coloque los eslabones motrices de la cadena en la ranura de la barra.

**Nota:** cerciórese de la dirección de la cadena.

- Coloque la cadena de manera que haya un bucle en la parte posterior de la barra.
- Sostenga la cadena en su posición en la barra y coloque el bucle alrededor de la rueda dentada.
- Coloque la barra a ras de la superficie de montaje de modo que los montantes de la barra estén en la ranura larga de la barra. Asegúrese de que la cadena esté sobre la rueda dentada.

**Nota:** cuando coloque la barra sobre los montantes de la barra, asegúrese de que el pasador de ajuste esté en el orificio del pasador de tensión de la cadena.

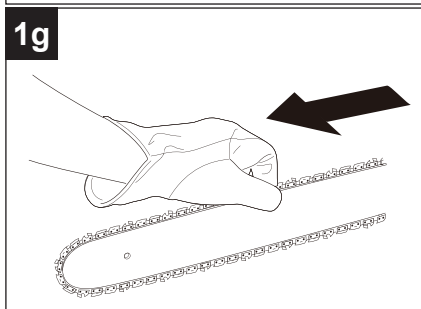
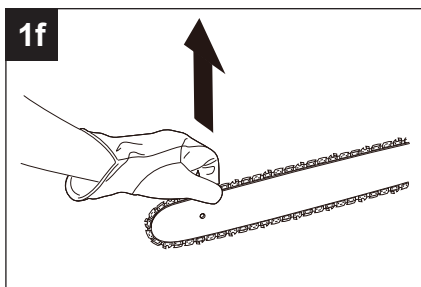
- Vuelva a colocar la cubierta de la cadena.
- Retire toda holgura de la cadena girando el tornillo de ajuste de la cadena (P) en dirección de las manecillas del reloj hasta que la cadena encaje perfectamente en la barra con los eslabones motrices en la ranura de la barra.



## CUIDADO Y MANTENIMIENTO

- 1f. Levante la punta de la barra guía para comprobar si hay holgura.
- Suelte la punta de la barra guía y gire el tornillo de ajuste de la cadena 1/2 vuelta en dirección de las manecillas del reloj. Repita este proceso hasta que no haya holgura.
  - Sostenga la punta de la barra guía hacia arriba y apriete las tuercas de bloqueo de la cubierta de la cadena (K) girándolas con la llave (O). La cadena está tensionada correctamente cuando no hay partes flojas debajo de la barra guía y la cadena está ajustada, pero se puede girar con la mano sin trabarse.

**Nota:** si la cadena está demasiado apretada, no girará. Afloje ligeramente las tuercas de bloqueo de la cubierta de la cadena (K) y gire el tornillo de ajuste de la cadena 1/4 de vuelta en dirección contraria a las manecillas del reloj. Levante la punta de la barra guía y vuelva a apretar las contratuerzas de la cubierta de la cadena (K). Asegúrese de que la cadena gire sin trabarse.

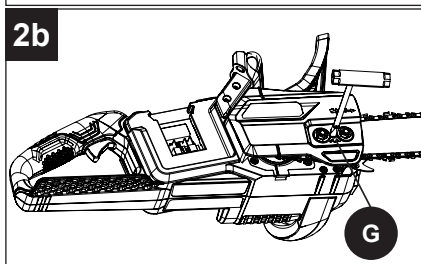
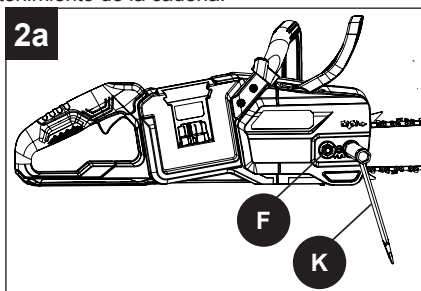


## 2. Ajuste de la tensión de la cadena

### ⚠ ADVERTENCIA

Nunca toque o ajuste la cadena mientras el motor esté en marcha. La motosierra está muy afilada. Siempre use guantes de protección cuando realice el mantenimiento de la cadena.

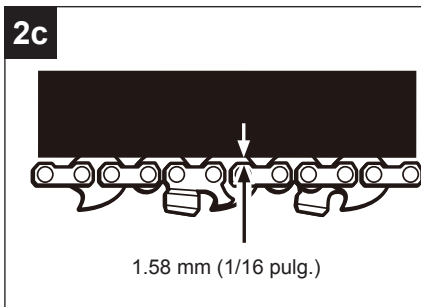
- 2a. Afloje las contratuerzas de la cubierta de la cadena (F) con la llave (K) suministrada. No es necesario retirar completamente las contratuerzas de la cubierta de la cadena (F) para ajustar la tensión de la cadena.
- 2b. Gire el tornillo de ajuste de la cadena (G) en dirección de las manecillas del reloj para aumentar la tensión de la cadena y en dirección contraria a las manecillas del reloj para disminuirla.
- Una vez que la cadena esté en la tensión deseada, apriete las contratuerzas de la cubierta de la cadena (F).



## CUIDADO Y MANTENIMIENTO

**Nota:** durante el funcionamiento normal de la sierra, la temperatura de la cadena aumenta. Los eslabones motrices de una cadena caliente correctamente tensada cuelgan aproximadamente 1.58 mm (1/16 pulg.) fuera de la ranura de la barra.

**Nota:** las cadenas nuevas tienden a estirarse; compruebe la tensión de la cadena con frecuencia y ténsela según sea necesario.



**3. Mantenimiento de la cadena**

Solo use una cadena de contragolpe bajo en esta sierra. Esta cadena de corte rápido proporciona contragolpes reducidos si se mantiene adecuadamente. Para cortes fluidos y rápidos, mantenga la cadena correctamente. La cadena requiere afilado cuando las astillas de madera son pequeñas y polvorientas, la cadena se debe forzar para que pase a través de la madera durante el corte o la cadena corta hacia un lado. Durante el mantenimiento de la cadena, tenga en cuenta lo siguiente:

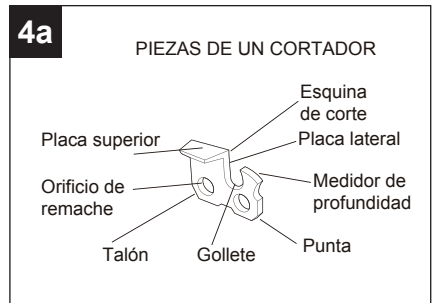
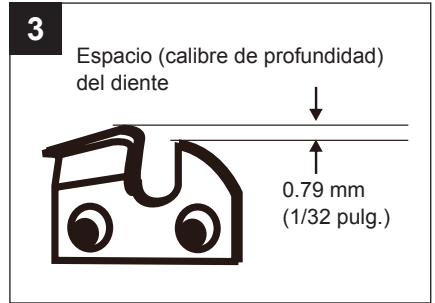
- Un ángulo de limado incorrecto de la placa lateral puede aumentar el riesgo de un contragolpe fuerte
- Espacio del raspador (medidor de profundidad).
- Si es demasiado bajo, aumenta el potencial de contragolpe.
- Si no es lo suficientemente bajo, disminuye la capacidad de corte.
- Si los dientes del cortador golpean objetos duros como clavos o piedras, o si están desgastados por la presencia de barro o arena en la madera, haga que un centro de servicio autorizado afile la cadena.

**Nota:**

- Inspeccione la rueda dentada para ver si está desgastada o dañada cuando reemplace la cadena. Si hay signos de desgaste o daños en las áreas indicadas, haga que un centro de servicio autorizado reemplace la rueda dentada.
- Si no entiende completamente el procedimiento correcto para afilar la cadena después de leer las instrucciones que aparecen a continuación, pídale a un centro de servicio autorizado que afile la cadena de la sierra o cámbiela por una cadena de contragolpe bajo recomendada.

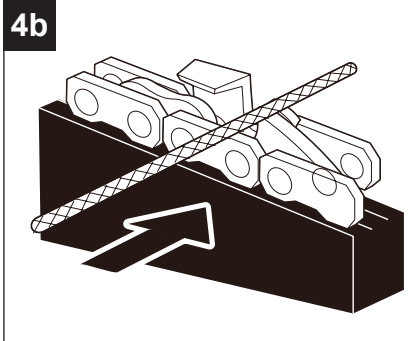
**4. Para afilar las cortadoras**

- Tenga cuidado de limar todos los cortadores a los ángulos especificados y al mismo largo, ya que el corte rápido solo se puede obtener cuando todos los cortadores son uniformes.
- Tense la cadena antes de afilarla.
- Utilice una lima redonda de 3.96 mm (5/32 pulg.) de diámetro y un soporte. Realice todas las limaduras en el punto medio de la barra.
- Mantenga la lima nivelada con respecto a una placa superior del diente. No deje que la lima se sumerja ni que se balancee.
- Con una presión ligera pero firme. Realice un recorrido hacia la esquina delantera del diente.
- Levante la lima y aléjela del acero en cada recorrido de retorno.



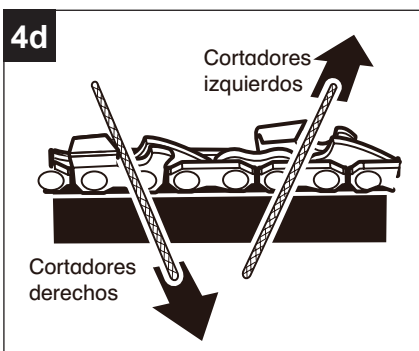
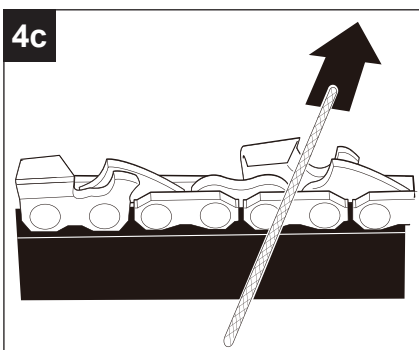
## CUIDADO Y MANTENIMIENTO

- Aplique unos cuantos recorridos firmes en cada diente. Lime todos los cortadores izquierdos en una dirección. Luego, muévase hacia el otro lado y lime los cortadores derechos en la dirección opuesta.
- Elimine las marcas de limado con un cepillo de alambre.



### ⚠ ADVERTENCIA

- El afilado incorrecto de la cadena aumenta el potencial de contragolpe. Si no se reemplaza o repara una cadena dañada, se pueden producir lesiones graves.



**Ángulo de limado de la placa superior**

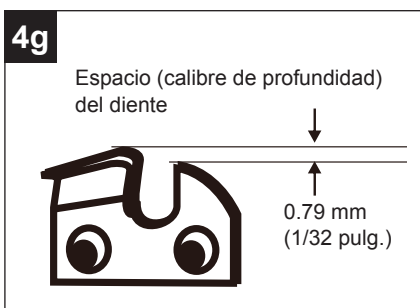
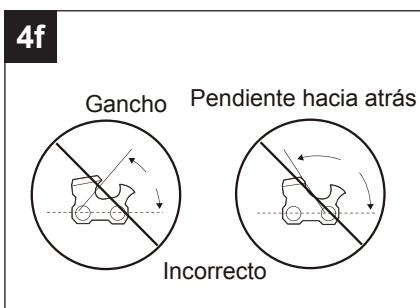
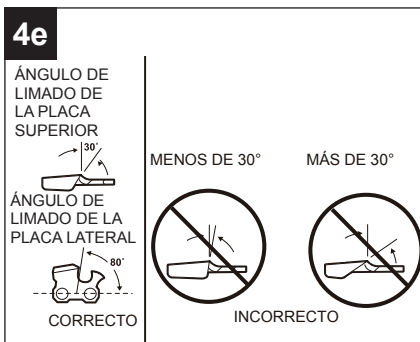
- **CORRECTO 30°:** los soportes de lima están identificados con marcas guía para alinear correctamente la lima y producir el ángulo correcto de la placa superior.
- **MENOS DE 30°:** para corte transversal.
- **MÁS DE 30°:** el borde en bisel se embota rápidamente.

**Ángulo de la placa lateral**

- **Corregir 80°:** se produce automáticamente si se utiliza la lima de diámetro correcto en el soporte de la lima.
- **Gancho:** “agarra” y se embota rápidamente; aumenta el potencial de contragolpe. Es el resultado de utilizar una lima con un diámetro demasiado pequeño o una lima demasiado baja.
- **Pendiente hacia atrás:** necesita demasiada presión de alimentación; causa desgaste excesivo en la barra y la cadena. Es el resultado de utilizar una lima con un diámetro demasiado grande o una lima demasiado alta.

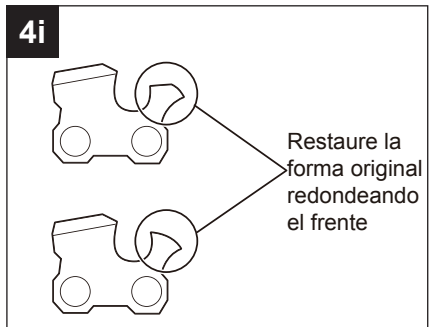
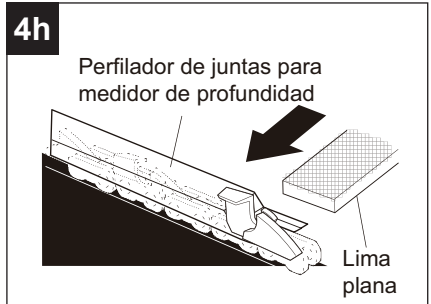
**Ángulo de la placa lateral**

- Mantenga el medidor de profundidad a una distancia de 0.79 mm (1/32 pulg.). Use un medidor de profundidad para verificar las separaciones del medidor de profundidad.
- Cada vez que se lime la cadena, verifique la separación del medidor de profundidad.



## CUIDADO Y MANTENIMIENTO

- Use una lima plana y un perfilador de juntas para medidores de profundidad para bajar todos los medidores uniformemente.
- Use un perfilador de juntas para medidor de profundidad de 0.79 mm (1/32 pulg.). Después de bajar cada medidor de profundidad, restaure la forma original redondeando el frente. Tenga cuidado de no dañar los eslabones motrices contiguos con el borde de la lima.
- Se deben ajustar los medidores de profundidad con la lima plana en la misma dirección en la que se limó el cortador contiguo con la lima redonda.
- Tenga cuidado de que la superficie del cortador no entre en contacto con la lima plana cuando ajuste los medidores de profundidad.

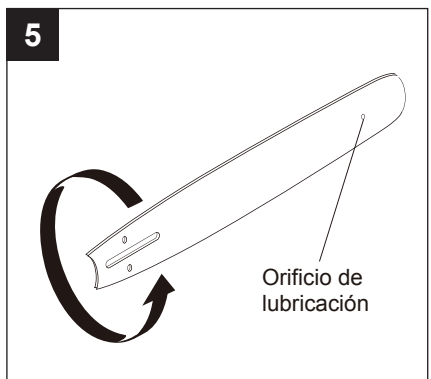


### 5. Mantenimiento de la barra guía

Cada semana de uso, invierta la barra guía de la sierra para distribuir el desgaste y lograr la máxima vida útil de la barra. La barra se debe limpiar todos los días de uso y se debe revisar si hay desgaste o daños. Los bordes suaves o las rebabas de los rieles de la barra forman parte del proceso normal de desgaste. Esas fallas se deben emparejar con una lima apenas se produzcan. Se debe reemplazar una barra con cualquiera de las siguientes fallas:

- Desgaste dentro de los rieles de la barra que hace que la cadena se coloque de costado
- Barra guía doblada
- Rieles fisurados o rotos
- Rieles separados

Lubrique semanalmente las barras guía con una rueda dentada en la punta. Con una jeringa de grasa, lubrique semanalmente en el orificio de lubricación. Gire la barra guía y compruebe que los orificios de lubricación y la ranura de la cadena estén libres de impurezas.



## SOLUCIÓN DE PROBLEMAS

Si todavía tiene preguntas o un problema no resuelto después de leer esta guía de solución de problemas, o si simplemente desea hablar con un experto en productos Kobalt, llame a nuestro Departamento de Servicio al Cliente de Kobalt al **888-356-2258**, de lunes a domingo, de 8 a.m. a 8 p.m., hora estándar del Este, o escriba a [ascs@lowes.com](mailto:ascs@lowes.com).

PROBLEMA	CAUSA POSIBLE	ACCIÓN CORRECTIVA
Barra y cadena funcionan en caliente y humeando.	Compruebe que la tensión de la cadena no esté demasiado apretada.	Tensione la cadena. Consulte la sección Tensión de la cadena que aparece anteriormente en este manual.
	El tanque de aceite de la cadena está vacío.	Verifique el tanque de aceite.
El motor funciona, pero la cadena no gira.	La tensión de la cadena está demasiado ajustada.	Vuelva a tensionar la cadena. Consulte la sección Tensión de la cadena que aparece anteriormente en este manual.
	Compruebe la barra guía y el ensamble de la cadena.	Consulte la sección Reemplazo de la barra y la cadena que se encuentra anteriormente en este manual.
	Revise si la barra guía y la cadena están dañadas.	Inspeccione si la barra guía y la cadena están dañadas.
El motor funciona, la cadena gira pero no corta.	Cadena está sin filo.	Afile o reemplace la cadena.
	La cadena está al revés.	Invierta la dirección de la cadena.
La motosierra no arranca.	La batería no está cargada.	Compruebe el paquete de baterías. Si no hay carga, retire la batería y siga los procedimientos de carga del manual del cargador.
	La batería no está instalada correctamente en la motosierra.	Asegúrese de que la batería esté completamente instalada en la motosierra. Consulte la página 45.
	El freno de la cadena está activado.	Jale del freno de cadena para desengancharlo.
	Hay una sola batería instalada.	Conecte (2) baterías Kobalt de 24 V.

## GARANTÍA

### 5 AÑOS DE GARANTÍA LIMITADA

Este motosierra inalámbrica KOBALT de 35.56 cm con 2 baterías de iones de litio de 24 V tiene garantía para el comprador original desde la fecha de compra original hasta cinco (5) años y está sujeto a la cobertura de garantía que se describe en el presente.

Este motosierra inalámbrica KOBALT de 35.56 cm con 2 baterías de iones de litio de 24 V tiene una garantía para el usuario original contra defectos en los materiales y la mano de obra.

Si cree que la motosierra inalámbrica KOBALT de 35.56 cm con 2 baterías de iones de litio de 24 V está defectuosa en cualquier momento durante el período de garantía especificado, simplemente llame a nuestro servicio de garantía (**888-356-2258**) y tenga el comprobante de compra a mano.

Esta garantía es nula si: los defectos en los materiales, la mano de obra o los daños se produjeron debido a reparaciones o modificaciones hechas o que se hayan intentado hacer por parte de terceros o el uso no autorizado de piezas que no cumplan con los requisitos, el daño se debe al desgaste normal; el daño se debe al abuso (lo que incluye la sobrecarga de la herramienta más allá de su capacidad), mantenimiento inadecuado, negligencia o accidente; o el daño se debe al uso de la herramienta después de una falla parcial o uso con accesorios inadecuados o reparación o alteración no autorizada.

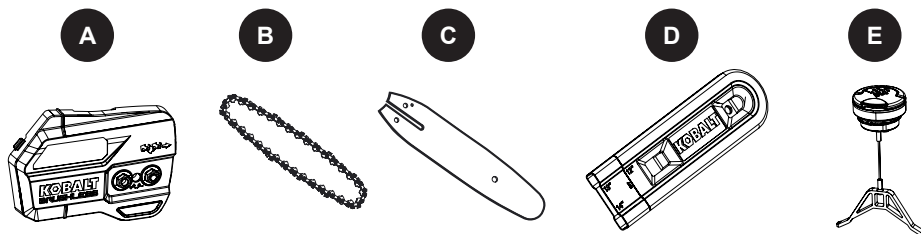
Esta garantía excluye las cuchillas de reemplazo.

Esta garantía le otorga derechos legales específicos, pero podría tener también otros derechos que varían según el estado.

Las piezas de repuesto no están cubiertas por la garantía.

### LISTA DE PIEZAS DE REPUESTO

Para obtener piezas de repuesto, llame a nuestro Departamento de Servicio al Cliente al **888-356-2258**, de lunes a domingo de 8 a.m. a 8 p.m., hora estándar del Este. También puede ponerse en contacto con nosotros a través de [ascs@lowes.com](mailto:ascs@lowes.com).



PIEZA	DESCRIPCIÓN	PIEZA #
A	Ensamble de la cubierta de la cadena	R0106164-00
B	Cadena	R0100909-00
C	Barra	R0106163-00
D	Funda	R0106162-00
E	Tapa del aceite	R0106281-00

Impreso en China/Vietnam

Rev B



P0807016-02