

serenelife™



Questions or Comments?

We are here to help!

Phone: 1.718.535.1800

Serenelifehome.com/ContactUs

Start Here



SCAN ME
serenelifehome.com

serenelife™



SLSPCART55 - SLSPCART65 - SLSPCART75

**Small Foldable Shopping Cart
with Removable Cart Liner**

USER GUIDE

About SereneLife

SereneLife products are designed to create a more comfortable living space, indoors and out. Our team presents innovative lifestyle solutions throughout the year that promote simplicity and serenity.

We're committed to delivering the most dependable products so you can live a better, more serene life.



CONTENTS

FEATURES AND TECHNICAL SPECS	4
ASSEMBLY INSTRUCTIONS	5
SAFETY GUIDELINES	8
CLEANING AND MAINTENANCE	8
REGISTER PRODUCT	9

IMPORTANT:

Read carefully and understand all INSTRUCTIONS before operating. Failure to follow the safety rules and other basic safety precautions may result in serious personal injury.

⚠ WARNING: Cancer and Reproductive Harm - www.P65warnings.ca.gov

Features:

- Tear-resistant and Weatherproof Fabric
- High-Quality Rustproof Steel Frame Construction
- Foldable for Easy Storage
- Includes Easy to Clean and Maintain Detachable Fabric
- Large Storage Capacity
- Equipped with 4 Sturdy Universal Wheels
- Foam-covered Handle Provides Ergonomic Comfort while Pushing or Pulling
- 360° Rolling Swivel Wheels that Offer Exceptional Maneuverability
- Features Multiple Pockets and Secure Closure Mechanism
- Designed with a Low Center of Gravity for Stability
- Quick and Tools-Free Assembly
- Designed to Support Heavy Loads with a Weight Capacity of at least 70 lbs.
- Convenient Storage in Car, Closet, or Garage
- Suitable for a Wide Range of Applications, Including Grocery Shopping, Transporting Laundry, Carrying Luggage, and More
- Suitable for Different Roads, Including Cobble Stone, Snow, and Sand

What's in the box:

- Foldable Shopping Cart
- Cart Liner

Technical Specs:

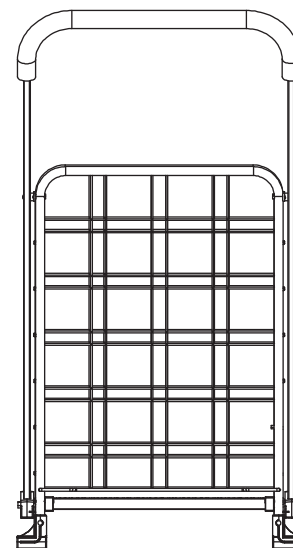
- Construction Material: High-Quality Steel Frame and 600D Oxford Fabric
- Maximum Height: 36.6" -inches
- Wheels (Diameter): 3.9" -inches (front), 7.8" -inches (back)
- Maximum Load Capacity: Up to 70 lbs.
- Item Weight: 15.65 lbs.
- Assembled Dimensions (L x W x H): 17.72" x 21" x 36.6" -inches
- Disassembled Dimensions (L x W x H): 17.72" x 3.14" x 41.73" -inches

ASSEMBLY INSTRUCTIONS

The shopping cart must be assembled by adults to ensure it is assembled correctly before use.

Unpack the product and accessories and inspect each for shipping damage.

A. 1 Collapsible Utility Cart



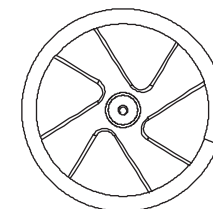
B. 1 Long axle



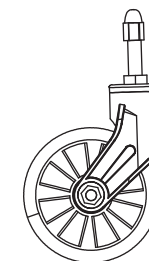
C. 2 Screw



D. 2 Rear Wheel



E. 1 Wrench



F. 2 Front Wheel



G. 1 Waterproof Liner



H. 2 M8 Washers

ASSEMBLY INSTRUCTIONS

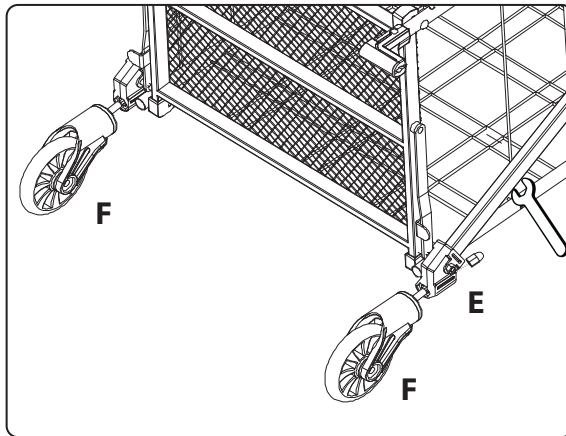
Step 1

Unfold the shopping cart.



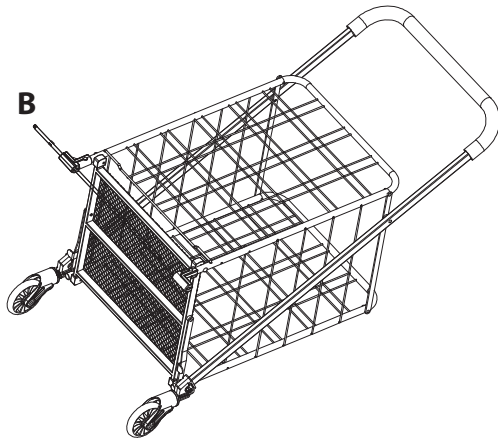
Step 2

Insert the front wheel and fix it with nuts, then tighten using a wrench.



Step 3

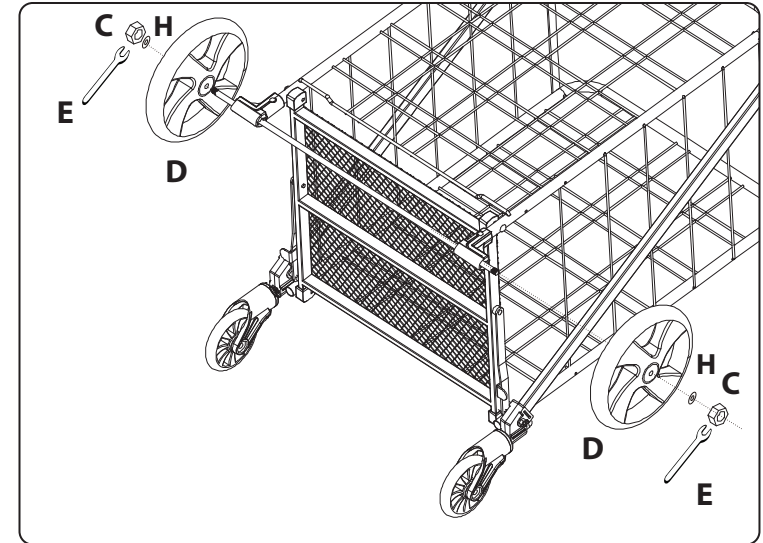
Insert the Axle.



ASSEMBLY INSTRUCTIONS

Step 4

Insert the Back wheel and fix it with screws, then tighten using a wrench.



Step 5

Now, the shopping cart is successfully assembled.



Safety Guidelines

- 1. Weight Limit:** This shopping cart is designed to carry heavy loads. However, please adhere to the weight limit (Up to 70 lbs). Overloading the cart may cause damage or injury.
- 2. Use on Even Surfaces:** Always use the shopping cart on smooth and even surfaces to prevent tipping or accidents.
- 3. Secure Items:** Ensure that items placed in the cart are securely positioned to prevent them from falling out during transportation.
- 4. Avoid Stairs:** Do not use the shopping cart on stairs or inclines. It is designed for use on flat surfaces only.
- 5. Handle with Care:** When folding or unfolding the cart, keep fingers and hands clear of moving parts to avoid pinching.
- 6. Children and Pets:** Keep children and pets away from the shopping cart during use to prevent accidents.
- 7. Inspect Regularly:** Periodically inspect the cart for any signs of damage or wear. Do not use if any parts are damaged or broken.

Cleaning and Maintenance

- 1. Cleaning:** Wipe down the shopping cart with a damp cloth and mild detergent to remove any dirt or debris. Avoid using harsh chemicals that may damage the cart's finish.
- 2. Cart Liner:** The removable cart liner can be hand-washed with mild soap and water. Allow it to air dry completely before reattaching it to the cart.
- 3. Storage:** When not in use, fold the shopping cart for compact storage. Store it in a dry, cool place away from direct sunlight to prevent damage.
- 4. Lubrication:** Periodically lubricate any moving parts, such as wheels and hinges, with a silicone-based lubricant to ensure smooth operation.



Register Product

Thank you for choosing SereneLife. By registering your product, you ensure that you receive the full benefits of our exclusive warranty and personalized customer support. Complete the form to access expert support and to keep your SereneLife purchase in perfect condition.

Start Here



Serenelifehome.com/register/SLSPCART70