

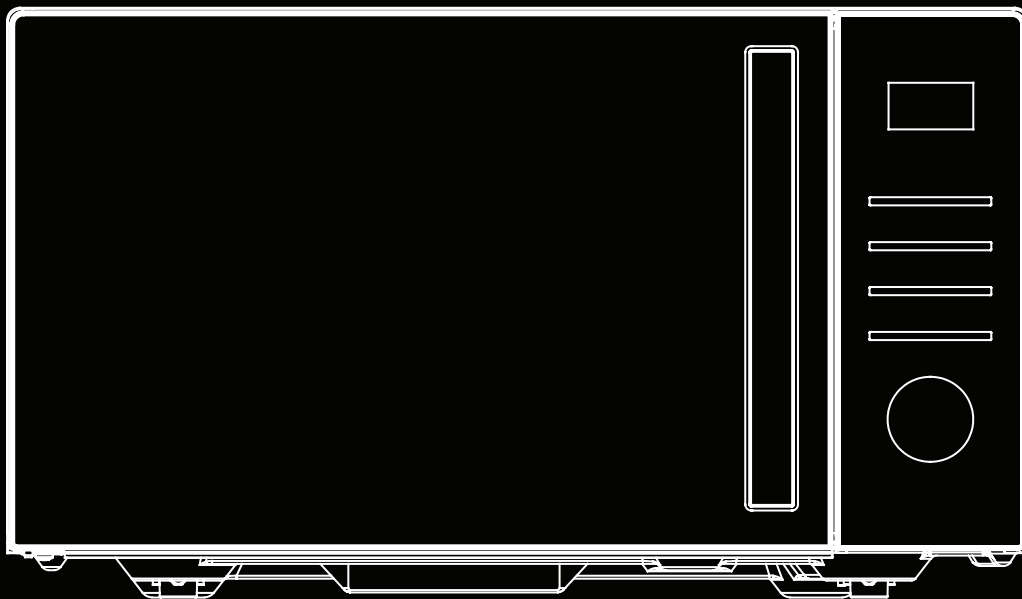
HYUNDAI
APPLIANCES

900W 23L Microwave HYMW90023DB

Instruction Manual



GENUINE PRODUCT OF
HYUNDAI CORPORATION



WARNING: Read the instructions carefully before use.

Iss: Mar/26



Contents Page

Introduction	3
Safety Information	4-11
Understand Your Machine	4
Personal Safety.....	4-5
During Use.....	5-6
Precautions to Avoid Exposure to Excessive Microwave Energy.....	6
Electricity Safety.....	7-8
Double Insulated Appliances.....	8
Residual Risks.....	9
Radio Interference.....	9
Intended Use.....	10
Symbols on the Machine.....	11
Unboxing	12
Before First Use	13
In The Box/Features	14
Cooking Utensils Guide	15
Control Panel	16
Operation	17
Initial Instructions/Setting The Clock.....	17
Microwave Cooking/Express Cooking.....	18
Defrosting Overview/Speed Defrost/Auto Defrost.....	19
Preset Cooking Mode/Multistage Cooking.....	20
Auto Cook Mode.....	21
Child Lock Function/Button Adhesion Protection.....	22
Wave Guide Maintenance.....	23
Maintenance & Care	24-25
Cleaning.....	24
Troubleshooting.....	25
Replacement Parts/Spares Information	26
Technical Data	27
Declaration of Conformity	28
Notes	29
Useful Information	30
Product Record	31
Contact Us	32

Introduction

Thank you for buying your Hyundai Product

We work very hard to give all of our customers the best possible service. If you have any problems, before leaving negative feedback, please contact us to give us a chance to resolve the issue. We would be delighted if you left us positive feedback! Thank you for purchasing this product.

Important!



WARNING: READ THE INSTRUCTION BOOKLET THOROUGHLY BEFORE USING THE MACHINE. Keep for future reference and pass it on if the machine is loaned or sold to another user.

This manual has been produced by Hyundai Power Products and should be kept with the product. Please read and understand these instructions before you use your product. Failure to do this may result in personal injury or damage to the product.

The safety precautions and warnings are to ensure your safety and protect you from harm or damage to the product.

The information contained in this manual was accurate at the time of production, however HYUNDAI Power Products may make modifications to the product without notification.

Safety Information

Understand Your Machine

- **WARNING!** You must read these instructions carefully before operating the machine. Ensure you are familiar with the controls and their proper operation. You must learn how to stop the machine quickly. If you do not follow the warnings and instructions, it may result in fire and/or serious injury. Make sure to save all warnings and instructions for future reference.
- Read this manual and labels affixed to the machine to understand its limitations and potential hazards.
- Be thoroughly familiar with the controls and their proper operation. Know how to stop the machine and disengage the controls quickly.
- If the unit is to be used by someone other than original purchaser, or is to be loaned, rented, or sold, always provide this manual and any needed safety training before operation. The user is responsible for preventing accidents or injuries that may occur to themselves, to other people, or to property.
- Do not force the machine beyond its limits. Use the correct machine for your application.
- Know how to stop the machine quickly in case of emergency. Understand the use of all controls.
- ALL MAINTENANCE other than that listed in this manual, should be carried out by professionally trained and certified personnel.
- When using this machine for the first time, you **MUST** read through this Instruction Manual and understand the labels affixed to the microwave.

Personal Safety/Important Safety Information

- Ensure that the main circuit voltage matches the appliance's rating before use.
- If the power cord or appliance is damaged, stop using it immediately and contact the manufacturer, an authorised service agent, or a qualified professional for assistance.
- **WARNING!** Do not let the cord hang over the edge of a table or counter. The microwave may be pulled off, which could cause serious injury, particularly to children, or result in entanglement with the user.
- **DO NOT** carry the appliance by the power cord.
- Avoid pulling the plug by the cord, as it may damage the plug or cable.
- Switch off the appliance at the wall socket and unplug it when not in use or before cleaning.
- Only use accessory attachments supplied with the product; the use of other accessories is not recommended.
- **DO NOT** use extension cords with this appliance.
- Close supervision is necessary when children are near or using the appliance.
- Children should not play with the appliance.
- This appliance can be used by children aged 8 years or older, as well as individuals with reduced physical, sensory, or mental capabilities, provided they are supervised or instructed on its safe use and understand the associated risks.
- Cleaning and maintenance should not be performed by children without supervision.

Safety Information

Personal Safety/Important Safety Information (Continued)

- Carefully read these instructions before using your HYUNDAI appliance.
- Use caution when the appliance is near pets.
- Use this product only for its intended purpose.

During Use

- **WARNING!** Do not heat liquids or food in sealed containers, as they may explode. Always ensure a small gap is created between any container and its lid to reduce any build-up of pressure.
- DO NOT put metal in the microwave. Metal can cause sparks and increase the risk of fire.
- DO NOT use recycled paper and trays. Recycled paper products can contain tiny flecks of metal that can ignite and resort in arcing.
- Be cautious when heating beverages, as microwave heating can cause delayed eruptive boiling, which may occur after the container is removed.
- Do not fry food in the microwave. Hot oil can damage the oven and utensils, and may cause burns.
- Eggs in their shell, or whole hard-boiled eggs, should not be heated in the microwave as they can explode even after heating has finished.
- Pierce foods with thick skins (e.g., potatoes, squashes, apples, chestnuts) before cooking to prevent bursting
- Stir or shake the contents of feeding bottles and baby food jars, and always check the temperature before serving to avoid burns.
- Cooking utensils can become hot due to heat transfer from food. Use potholders if necessary.
- Ensure that utensils used in the microwave are suitable for microwave use.
- **WARNING!** Only a trained professional should perform any service or repair that requires the removal of protective covers to prevent exposure to microwave energy.
- This product is classified as Group 2, Class B ISM equipment. Group 2 includes all ISM (Industrial, Scientific, Medical) equipment that generates and/or uses radio-frequency energy for material processing. Class B equipment is intended for use in residential environments and those connected to a low-voltage power supply.
- This appliance should not be used by individuals (including children) with reduced physical, sensory, or mental capabilities, or lack of experience, unless supervised by someone responsible for their safety.
- Children should be supervised to ensure they do not play with the appliance.
- The microwave oven is designed for freestanding use only.
- **WARNING!** Do not install the oven over a cooktop or other heat-producing appliance, as this may damage the microwave and void the warranty.
- The microwave should not be placed inside a cabinet.
- **WARNING!** The appliance and accessible parts become hot during use.
- **WARNING!** Accessible parts may become hot during operation. Keep young children away.
- During operation, the appliance becomes hot. Take care to avoid touching heating elements inside the oven.
- Surfaces of the microwave may become hot while in use.

Safety Information

During Use (Continued)

- The appliance should be placed against a wall.
- The appliance should not be used by children or individuals with reduced capabilities unless they are supervised.
- **WARNING!** If the door or door seals are damaged, the microwave must not be operated until it has been repaired by a qualified technician.
- This appliance is not intended to be operated by an external timer or a separate remote-control system.
- DO NOT run the microwave when it is empty. The energy created will damage the microwave's components.
- The microwave oven is for household use only and is not designed for commercial applications.
- Do not remove the distance holder on the back or sides of the microwave, as it ensures proper air circulation by maintaining a minimum distance from the wall.
- Secure the turntable before moving the microwave to prevent damage
- **CAUTION!** Only specialists should attempt repairs or maintenance involving the removal of protective covers, as this could expose them to microwave radiation. This also applies to replacing the power cord or lighting. In such cases, send the appliance to the our dedicated Aftersales team.
- The microwave is intended for defrosting, cooking, and steaming food only.
- Use oven mitts when handling heated food.
- Be cautious of escaping steam when opening lids or removing foil.
- If smoke is emitted, switch off or unplug the microwave immediately, and keep the door closed to stifle any flames.

Precautions to Avoid Exposure to Excessive Microwave Energy

- Never attempt to operate the microwave with the door open, as this can lead to harmful exposure to microwave energy. Do not tamper with or bypass the safety interlocks.
- Ensure no objects are placed between the microwave's front face and the door, and prevent dirt or cleaning residue from building up on the sealing surfaces.
- Do not use the microwave if it is damaged. It is essential that the door closes properly and that there is no damage to: a) The door (including any bending), b) Hinges or latches (broken or loose), c) Door seals and sealing surfaces.
- Only qualified service personnel should adjust or repair the microwave.

Safety Information

Electricity - Grounding Instructions

IMPORTANT: This appliance must be grounded. It is equipped with a cord that includes a grounding wire and a grounding plug. The plug must be inserted into a properly installed and grounded wall outlet.

Grounding helps reduce the risk of electric shock by providing a safe path for electrical current in the event of a short circuit.

It is recommended to use a dedicated circuit that serves only the microwave oven. Using higher voltage can be dangerous and may cause a fire or other damage to the oven.

WARNING: Improper use of the grounding plug may result in electric shock.

NOTE:

1. If you have any questions regarding grounding or electrical instructions, consult a qualified electrician or service technician.
2. The manufacturer and dealer are not liable for any damage to the oven or personal injury caused by not adhering to the electrical connection instructions.

The wiring in the mains cable follows this colour code:

- Green and Yellow = Earth
- Blue = Neutral
- Brown = Live

Electrical Safety

DANGER! ELECTRICITY CAN KILL - NEVER WORK ON LIVE/ENERGISED EQUIPMENT.



- Prior to carrying out any maintenance work you **MUST** identify electrical isolation methods and isolate all electrical supplies
- Prior to use and with all electrical supplies isolated, you **MUST** check all electrical cables, plugs and connectors for the following;

- Are intact and have no signs of damage, to include but not limited to bare wires, chafing, cuts and loose wiring.
- If there are any signs of damage, the damaged item **MUST** be taken out of service until the damage has been repaired by an electrically competent person.
- All trailing cables should be routed so as not to cause any kind of trip hazard.
- **NEVER** work on or near electricity with wet hands, wet clothing and wet gloves.

Safety Information

Electrical Safety (Continued)

- The appliance plug must match the outlet. Never modify the plug in any way. DO NOT use any adapter plugs with earthed (grounded) appliances. Unmodified plugs and matching outlets will reduce risk of electric shock.
- DO NOT expose this appliance to rain or wet conditions. Water entering an appliance will increase the risk of electric shock. DO NOT abuse the power cord. Never use the cord for carrying, pulling or unplugging the appliance. Keep the cord away from heat, oil and sharp edges or moving parts. Damaged or entangled cords increase the risk of electric shock.
- **IMPORTANT:** Make sure that the electric circuit is fused, and that the power, voltage and frequency of the motor is supported by your mains supply. Also, make sure that your power supply is earthed. Connect your machine to earth. Never open the ON/OFF switch box. However, if it should become necessary to do so, contact a qualified electrician. Ensure that you never touch live contacts, specifically when you plug or unplug your machine. This appliance and its power cord must never get into contact with water.
- Avoid body contact with earthed or grounded surfaces such as pipes, radiators, ranges and refrigerators. There is an increased risk of electric shock if your body is earthed or grounded.
- Do not allow any part of the machine to make contact with water while it is in operation. If the appliance becomes wet while turned off, wipe dry before starting.

Safety Information

Residual Risks

WARNING! This machine produces an electromagnetic field during operation. This field may under some circumstances interfere with active or passive medical implants. To reduce the risk of serious or fatal injury, we recommend persons with medical implants to consult their physician and the medical implant manufacturer before operating this machine.

Radio Interference

NOTE: The operation of the microwave oven may cause interference with radios, televisions, or similar electronic devices. If interference occurs, you can try the following measures to reduce or eliminate it:

- Clean the microwave oven's door and sealing surfaces.
- Reorient the antenna of the affected radio or television.
- Relocate the microwave oven to a different position relative to the receiver.
- Move the microwave oven further away from the receiver.
- Plug the microwave into a different outlet to ensure the microwave and receiver are on separate circuits.

Safety Information

Intended Use

The HYMW90023DB is an 900W microwave with 23L of oven capacity from HYUNDAI. The machine is manufactured according to the latest safety requirements. Every precaution is only effective when it is followed exactly.

Intended Use

This appliance is designed to heat, cook or dry and defrost food. ALWAYS cook and defrost food according to the manufacturer's recommended instructions.

This machine is not suitable for environments where the ambient temperature exceeds 32°C.

User Types

This machine is intended for use by consumers, i.e. non-professional operators. The machine is intended for "DIY" and domestic use only.

Improper Use

Any other usage not in keeping with the above mentioned ones may be hazardous and harm persons and/or damage things.

Safety Information

Symbols On The Machine

We have provided safety messages in this manual and on the machine. This information alerts you to potential hazards that could hurt you or others. Please read these messages carefully. However, we may not have listed all of the possible hazards, you must also use your own judgement.

Symbol	Description	Symbol	Description
	Disposal		The UKCA (UK Conformity Assessed) marking is a UK product marking that is required for goods being placed on the market in Great Britain (England, Wales and Scotland).
	This product complies with the European directives and an evaluation method of conformity for these directives was done.		To reduce the risk of injury, the user must read and understand owner's manual before using this product.
	Do not expose to rain or use in damp conditions.	 Widely Recycled	The appliance, associated components and packaging should be sorted, taken to the local recycling centre and disposed of in an environmentally safe way.

Unboxing

! WARNING: Unboxing and assembling the machine should be done on a flat, surface with enough room. Disposal of the packaging should be done in accordance with the local regulations in force.

! WARNING: Some of the packaging material may be harmful to children. Keep out of reach of children.

1. Carefully remove the product from the packaging and examine it for any sign of damage caused during shipping.
2. Lay the contents out and check them. If any part is damaged or missing, you must not use the machine. Contact HYUNDAI HOME APPLIANCES immediately.
3. You must keep the packaging material in case the machine needs to be returned or repaired.
4. Ensure that you have all the accessories and tools you need for assembly and operation including the suitable personal protective equipment.

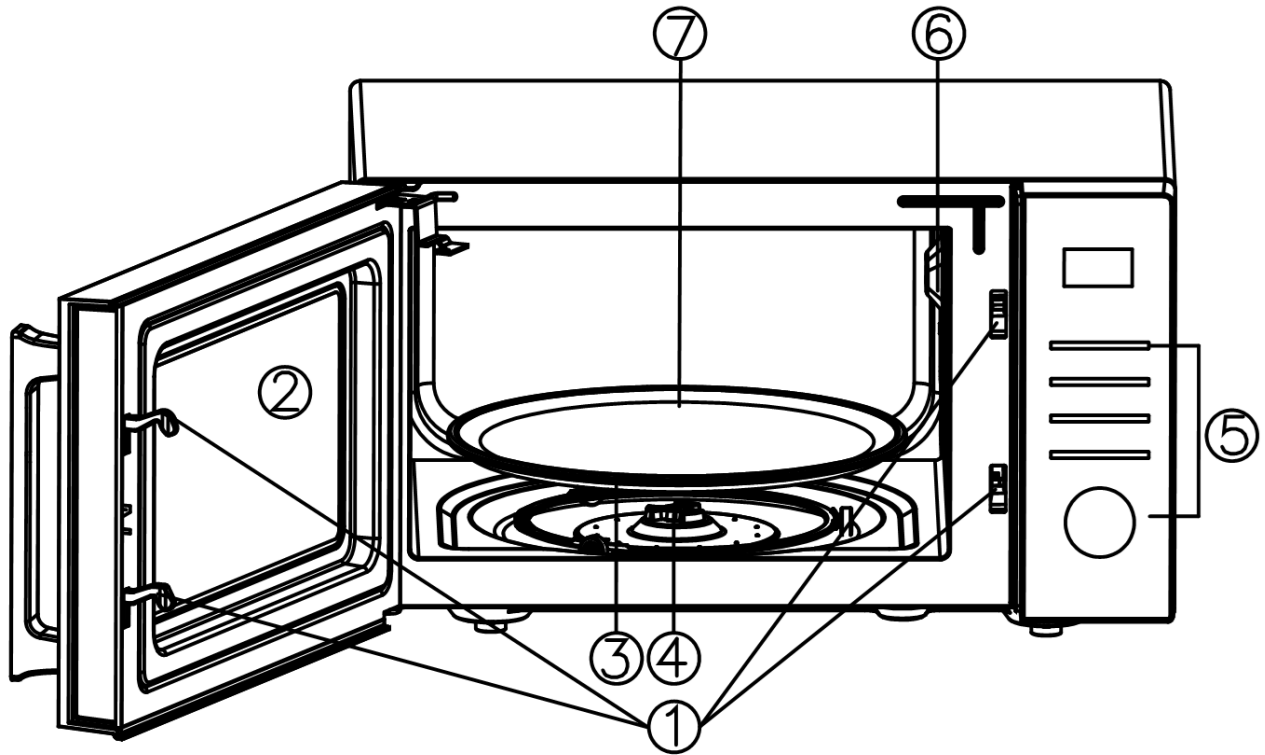
We recommend that you fill out the information in the 'Product Record' section. If you need to contact an authorised dealer or customer service, you may need to provide this information.

Before First Use

! **IMPORTANT:** Before using your new microwave for the first time, it is important you read through the entirety of this instruction manual and adhere to the following steps:

1. Ensure all packing materials are removed from inside the door.
2. **WARNING!** Inspect the oven for any damage, such as a misaligned or bent door, damaged door seals or sealing surfaces, broken or loose hinges and latches, or dents inside the cavity or on the door. If any damage is found, do not use the oven and contact qualified service personnel.
3. Place the microwave on a flat, stable surface that can support both its weight and the heaviest food it may hold.
4. Avoid placing the oven near sources of heat, moisture, high humidity, or combustible materials.
5. To ensure proper operation, allow adequate airflow around the oven. Maintain at least 20 cm of space above, 10 cm at the back, and 5 cm on both sides. Do not block or cover any of the appliance's openings. Do not remove the feet.
6. Do not operate the oven without the glass tray, roller support, and shaft correctly positioned.
7. Ensure the power cord is intact and does not run under the oven or over hot or sharp surfaces.
8. The power socket should remain easily accessible for quick unplugging in case of an emergency.
9. Do not use the microwave outdoors.

In The Box/Features



- 1. Door Safety Lock System**
This prevents the user from accidentally opening the door during operation.
- 2. Oven Window**
- 3. Roller Ring**
This carries the weight of the glass tray and allows it to rotate.
- 4. Shaft**
This transmits power from the motor to turn the glass turntable.
- 5. Control Panel**
This allows the user to select the desired setting to operate the microwave.
- 6. Wave Guide**
This transfers and directs the microwaves to the cooking chamber.
- 7. Glass Tray**
Place your food on this in preparation to be cooked or defrosted.

Cooking Utensils Guide

! IMPORTANT: It is vital that you read and understand the below before operating the microwave for the first time and/or using a cooking utensil, which you haven't used before.

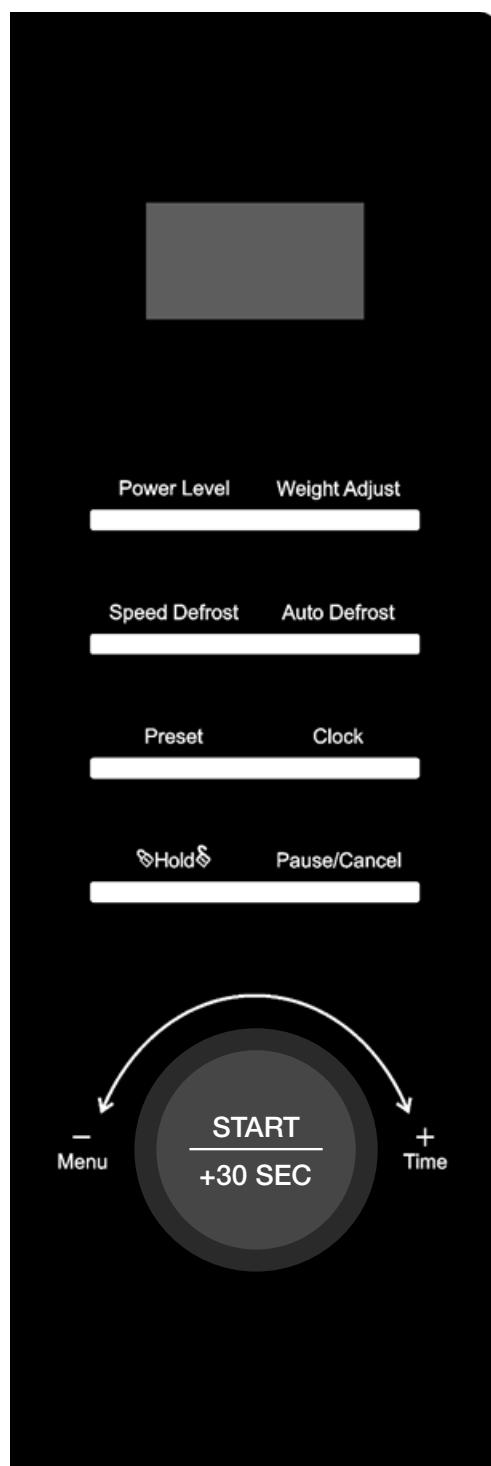
! IMPORTANT: Failure to comply with the guidelines set below can cause damage to the microwave, as well as putting the user and other persons close to the appliance in unnecessary danger.

- 1. Avoid Using Metal:** Microwaves cannot penetrate metal. Always use utensils that are specifically labelled as microwave-safe. Do not use metallic containers for food or beverages during Microwave Cooking unless the manufacturer explicitly specifies the size and shape of metallic containers that are safe for microwave use.
- 2. No Metal Utensils:** Avoid using metal utensils or dishes with metallic trims, as microwaves cannot pass through metal and may cause damage or arcing.
- 3. Recycled Paper Products:** Do not use recycled paper products when cooking in a microwave, as they may contain small metal fragments that can cause sparks or even start a fire.
- 4. Shape of Dishes:** Use round or oval dishes rather than square or oblong ones, as food tends to overcook in the corners of angular dishes.

Cookware	Microwave Cooking
Heat-Resistant Glass	Yes
Non Heat-Resistant Glass	No
Heat-Resistant Ceramics	Yes
Microwave-Safe Plastic Dish	Yes
Kitchen Paper	Yes
Metal Tray	No
Metal Rack	No
Aluminium Foil & Foil Containers	No

Control Panel

! IMPORTANT: Please ensure you become familiar with each function on the panel before using the microwave for the first time.



Control Panel Overview

Display Screen

Time, power and indicators are displayed.

Power Level

Press to select microwave power level.

Weight Adjust

Press to set food weight or servings.

Speed Defrost

Press to defrost food based on time.

Auto Defrost

Press to defrost food based on weight.

Preset

Use to set the microwave to start-up at a later time.

Clock

Press to set clock time.

Hold

Use this function to set the child lock.

Pause/Cancel

Press this button once to pause cooking, or twice to cancel the cooking altogether.

Menu/Time (Dial)

Turn the dial to select Auto Cooking Menus.
Turn the dial to set desired cooking time.

Start/+30 Sec (Dial)

Press the dial to start cooking programmes.
Simply press the dial a number of times to set the desired cooking time to cook immediately at full power.

Operation

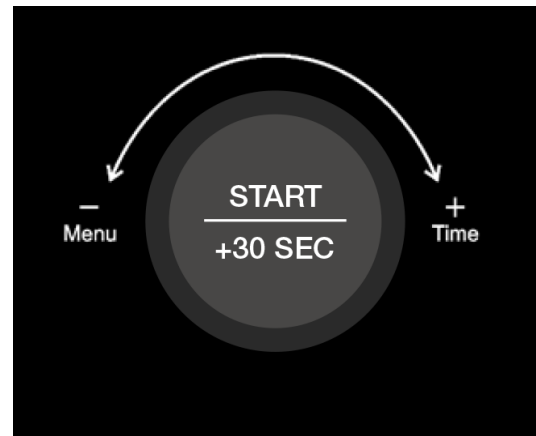
Initial Instructions

- When the oven is first plugged in, a beep will sound, and the display will show "1:01."
- If no operation is performed within 30 seconds during any setting, the system will automatically return to Standby mode.
- During cooking, pressing the Pause/Cancel button once will pause the program. To resume, press the START/+30 SEC. button. Pressing Pause/Cancel twice will cancel the program.
- After cooking is complete, the display will show "End," and a beep will sound every two minutes until a button is pressed or the door is opened.
- While the oven is operating, pressing a valid button will result in a single beep, whereas pressing an invalid button will cause the buzzer to sound twice.

Setting The Clock

NOTE: This microwave features a 12- or 24-hour clock. You can choose your preferred format by pressing the **CLOCK** button while in Standby mode.

1. In Standby mode, press the **CLOCK** button once or twice to select either the 12 or 24 hour clock.
2. Turn the **MENU/TIME** dial to set hour digit.
3. Press CLOCK or START/+30 SEC button once.
4. Turn the MENU/TIME dial to set minute digit.
5. Press CLOCK or START/+30 SEC button to confirm.



NOTE: During cooking, you can view the current time by pressing the CLOCK button.

Operation

Microwave Cooking

1. In Standby mode, press the **POWER LEVEL** button repeatedly until you reach the desired power level.

NOTE: The table below details the amount of times you need to press the **POWER LEVEL** to reach the desired output.

2. Turn the **MENU/TIME** dial to set the cooking time. The maximum cooking time you can set is 95 minutes.
3. Press the **START/+30 SEC** button to confirm and start cooking.

Overview of Power Levels

Press POWER LEVEL button	Power (Display)	Press POWER LEVEL button	Power (Display)
Once	100% (100)	7 times	40% (40)
Twice	90% (90)	8 times	30% (30)
3 times	80% (80)	9 times	20% (20)
4 times	70% (70)	10 times	10% (10)
5 times	60% (60)	11 times	0% (00)
6 times	50% (50)		

NOTE: During cooking, you can check the current power level by pressing the **POWER LEVEL** button.

To cook at full power, directly turn the **MENU/TIME** dial clockwise to set the cooking time. The time ranges from 10 seconds to 95 minutes. Once you have selected the desired time, press the **START/+30 SEC** button to start cooking.

Express Cooking

Express Cooking allows you to program the microwave to cook food at 100% power level conveniently.

1. In Standby mode, press the **START/+30 SEC** button repeatedly to set the cooking time. Each press of the button increases the time by 30 seconds, up to a maximum of 10 minutes.
2. Once you have set your desired cooking time, the microwave will automatically cook at full power.

Operation

Defrosting Overview

! IMPORTANT: When defrosting food with the use of a microwave, please take the following recommendations into consideration before cooking and consuming the

- Check the packaging for any defrosting instructions, if available.
- Remove the packaging (unless otherwise specified), as the chemicals can contaminate the food during thawing and may allow bacteria from the thawing liquid to affect the food, particularly with meat.
- Place the food in a microwavable container or dish and cover it. For liquid foods, such as soup, use a deep bowl to prevent spills.
- Select the specific defrost setting for the type of food you are defrosting, where possible.
- Press start and defrost the food in 1-2 minute increments (or longer for larger pieces), checking to ensure it is thawing evenly.
- Once defrosting is complete, remove the food from the microwave and ensure it is fully thawed, with no ice crystals remaining and the centre temperature not freezing (using a temperature probe).
- Always verify that your food is thoroughly defrosted before cooking. For further precautions and additional defrosting methods, consider reading our article on how to defrost food safely.
- Clean the microwave after defrosting to prevent cross-contamination.

Speed Defrost

1. In Standby mode, press the **SPEED/DEFROST** button once.
2. Turn **MENU/TIME** dial to set the defrosting time. The maximum time you can set is 95 minutes.
3. Press the **START/+30 SEC** button to confirm and start defrosting.

NOTE: During defrosting, the microwave will signal a beep and pause operation to remind the user to turn the food over. Turn the food over, close the door and press the **START/+30 SEC** button to resume defrosting.

Auto Defrost

The defrosting time and power level are automatically set once the food weight is programmed. The frozen food weight ranges from 100g to 1800g.

1. In Standby mode, press the **AUTO DEFROST** button once.
2. Press the **WEIGHT ADJUST** button repeatedly to select the correct food weight.
3. Press the **START/+30 SEC** button to confirm.

NOTE: During defrosting, the microwave will signal a beep and pause operation to remind the user to turn the food over. Turn the food over, close the door and press the **START/+30 SEC** button to resume defrosting.

Operation

Preset Cooking Mode

This function allows you to program the oven to start at a later time.

1. In Standby mode, input a cooking program (except express cooking, auto defrost and speed defrost).
2. Press the **PRESET** button once.
3. Turn the **MENU/TIME** dial to set the hour digit.
4. Press the **PRESET** or **START/+30 SEC** button once.
5. Turn the **MENU/TIME** dial to set the minute digit.
6. Press the **PRESET** or **START/+30 SEC** button to confirm.

NOTE: The microwave will signal an audible beep once the preset time has been reached. Once the beep has signalled, the preset cooking program will begin.

When the microwave remains in Preset mode, you can check the preset time by pressing the **PRESET** button once.

You can cancel the preset program by pressing the **PAUSE/CANCEL** button when the preset time is showing.

Multistage Cooking

NOTE: This microwave can be programmed for up to two automatic cooking sequences.

For example, to set the below cooking program, refer to the following steps:

Microwave Cooking > Microwave Cooking (with lower power level)

1. Input the first Microwave Cooking program. DO NOT press the **START/+30 SEC** button.
2. Input the second Microwave Cooking program.
3. Press the **START/+30 SEC** button to start.

NOTE: Express Cooking, Auto Defrost, Speed Defrost and Auto Cook menus can't be selected in Multistage Cooking.

Operation

Auto Cook Mode

NOTE: For the following foods or cooking modes, you do not need to program the cooking power or time. Simply indicate the type of food you wish to cook along with its weight or servings.

1. In Standby mode, turn the **MENU/TIME** dial anti-clockwise once. The display screen will then show "A-01". Turn the **MENU/TIME** dial clockwise to select another food code.
2. Press **WEIGHT ADJUST** button repeatedly to select food weight or servings.
3. Press the **START/+30 SEC** button to start.

Code	Food	Note
A-01	Milk/Coffee (200m/cup)	<ul style="list-style-type: none">• For Milk/Coffee and Potato, the display screen will not show the icon 'g'.• The results of the auto cook feature depend on several factors, including the shape and size of the food, your personal preference for how well the food is cooked, and how the food is arranged in the oven. If you find the results are not satisfactory, please adjust the cooking time slightly to improve the outcome.
A-02	Potato (230 ± 10 g/serving, 1-2 Servings)	
A-03	Rice (150 - 600g)	
A-04	Spaghetti (100g, 200g & 300g)	
A-05	Auto Reheat (200 - 800g)	
A-06	Fish (200 - 600g)	

Operation

Child Lock Function

NOTE: The child lock feature prevents unsupervised use by children.

To activate the child lock:

In Standby mode, press and hold the **HOLD** button for 3 seconds until a beep signal sounds. The microwave will then enter Child Lock Mode and the Lock Indicator light will switch on. In a lock state, all buttons will be disabled.

To deactivate the child lock:

Press and hold the **HOLD** button for 3 seconds until a beep signal sounds. The Indicator Light will then disappear.

Button Adhesion Protection

In any mode, if a button on the control panel is held down or stuck for 1 minute, the program will stop immediately, "FAIL" will appear on the display, and the system will beep. If the button remains stuck, the beep will sound every minute, and all buttons will be disabled during this time. After resolving the issue, press the **PAUSE/CANCEL** button to return to Standby mode.

Operation

Wave Guide Maintenance

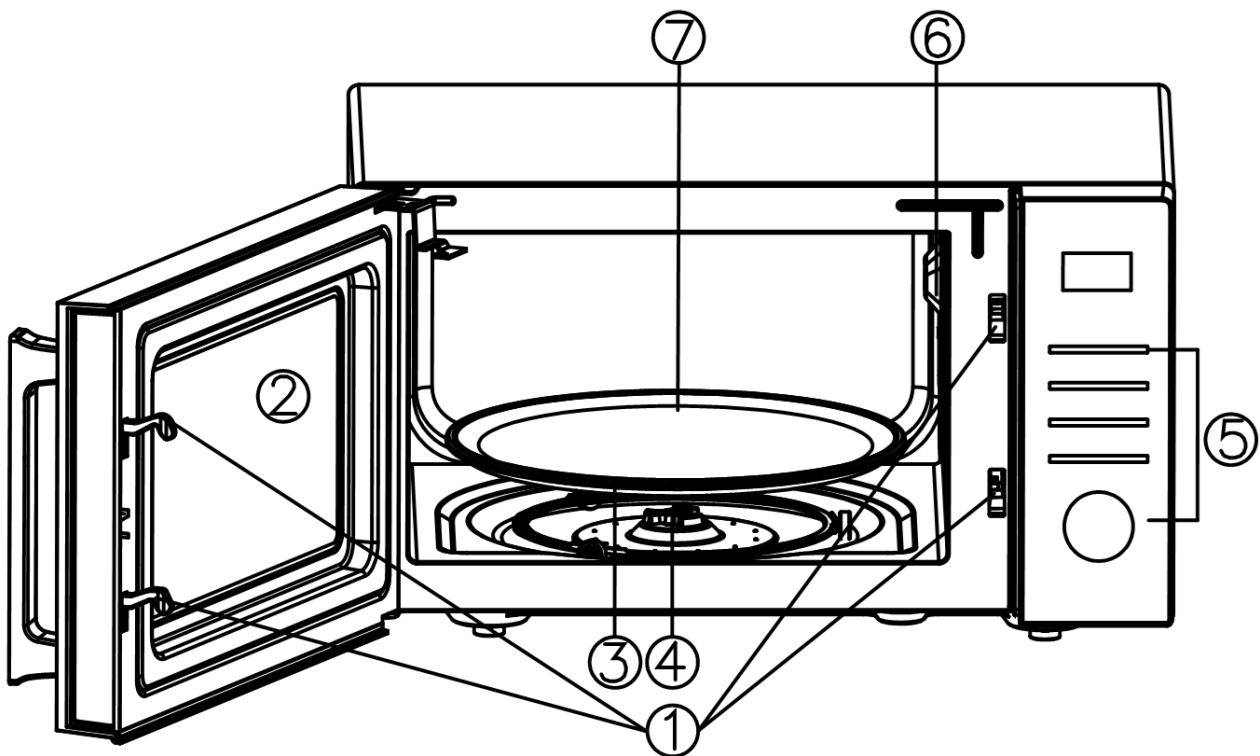
IMPORTANT: Constant use of the microwave can cause the Wave Guide (labelled '6' in the below diagram) to deteriorate, like any other component, over time.

As such, it is vital you check the condition of the wave guide periodically. Damaged wave guides become ineffective and can lead to arcing.

Regular checking of the wave guide will increase the efficiency and extend the lifespan of the microwave.

For more information, and/or to order a wave guide specific to this microwave, please visit our Power Spares website: power-spare.co.uk.

Further information of Power Spares can be found on Page 26 of this manual.



Maintenance & Care

Cleaning

- Always turn off the oven and unplug it before cleaning.
- Keep the interior of the oven clean. Wipe up food splatters and spills from the oven walls using a damp cloth. If needed, mild detergents can be used for tougher cleaning. Avoid harsh sprays or cleaners, as they can stain or damage the door surface.
- Clean the exterior of the oven with a damp cloth. Take care not to let water seep into the ventilation openings, as this could damage the internal components.
- Regularly wipe the door, window (inside and out), door seals, and surrounding areas with a damp cloth to remove any spills. Avoid using abrasive cleaners.
- Do not use a steam cleaner on the oven.
- Keep the control panel dry. Clean it with a soft, damp cloth, and ensure the oven door is open during cleaning to prevent accidental operation.
- If steam accumulates inside or around the door, wipe it off with a soft cloth. This can happen under high humidity conditions and is normal.
- Periodically remove the glass tray for cleaning. It can be washed in warm soapy water or placed in a dishwasher.
- Clean the roller ring and oven floor regularly to prevent noise during operation. Wipe the oven floor with mild detergent, and wash the roller ring in soapy water or in a dishwasher. Ensure the roller ring is properly repositioned after cleaning.
- To remove odours, microwave a bowl of water with the juice and peel of one lemon for 5 minutes. Then, wipe the interior thoroughly and dry with a soft cloth.
- If the light bulb burns out, contact customer service for a replacement.
- Regular cleaning is essential. Failure to maintain the oven in a clean condition can cause surface deterioration, reduce the appliance's lifespan, and potentially create a hazardous situation.
- Do not dispose of this appliance in regular household waste. It should be taken to a designated disposal centre provided by local authorities.

Maintenance & Care

Troubleshooting

NOTE: Before requesting service, if the microwave fails to switch on or operate at its intended level, please check the following;

- Ensure the oven is securely plugged in. If not, unplug it, wait 10 seconds, and plug it back in firmly.
- Check if a circuit fuse has blown or if the main circuit breaker has tripped. If both seem to be functioning properly, test the outlet by plugging in another appliance
- Check to ensure the door is securely closed, engaging the door lock system. If the door is not properly closed, the microwave energy will not flow inside.
- Check to ensure the control panel is programmed correctly and the timer is set.

IMPORTANT: IF NONE OF THE ABOVE SOLVES THE PROBLEM, CONTACT A QUALIFIED TECHNICIAN. DO NOT TRY TO ADJUST OR REPAIR THE OVEN YOURSELF.

Replacement Parts/Spares Information

POWER SPARES



No Hassle Returns



Same Day Dispatch*



Over 10,000 Spare Parts



QR Code - Scan the QR code for a direct link to our website

Our Website : power-spares.co.uk

Call us : 01 646 404406

Email us : sales@power-spares.co.uk

To maintain your machine in peak operating condition, proper maintenance and care are crucial. Some machines have consumable parts that will need replacement to ensure they continue operating at their full potential. PowerSpares provide manufacturer parts for all your machines, ensuring they remain in peak condition.

About Power Spares

Power-Spares has your back if you damage your lawn mower blade, find your spark plugs not sparking, or snap your recoil. Power-Spares operates under the trading name of Genpower Limited.

As part of the Genpower family, Power-Spares offers you the expertise, efficiency, and quality assurance of a large organisation. We leverage the latest warehousing, distribution, customer service, and inventory management technology to ensure you receive your parts as quickly as possible.

With extensive stock-holding of spare parts in our UK warehouses, Power-Spares is ready to assist you promptly when your machine needs repair. We're committed to help you get back up and running as quickly as possible.

Technical Data

Specification

Model	HYMW90023DB
Power Consumption	230-240V~50Hz, 1400W Microwave
Output	900W
Operation Frequency	2450MHz
Outer Dimensions (H x W x D)	281 x 483 x 392mm
Oven Capacity Dimensions (H x W x D)	217 x 340 x 337mm
Oven Capacity	23L
Net Weight	12.8kg
Off Mode	<0.8W

Declaration of Conformity

EU DECLARATION OF CONFORMITY					UK DECLARATION OF CONFORMITY
1.	PRODUCT(S) COVERED BY THIS DECLARATION:	Product: UK Product Code No. Factory Reference No.	Hyundai 900W Microwave HYMW90023DB P90D23ESL-CF		
2.	IDENTIFICATION DETAILS OF MANUFACTURER:	Name: Address: Country:	Genpower Ltd. Isaac Way Pembroke Dock, SA72 4RW UK		
	AUTHORISED REPRESENTATIVE:	Name: Address: Country:	Genpower Ltd. 131 Boulevard Pereire 75017 Paris France		
3. THIS DECLARATION OF CONFORMITY IS ISSUED UNDER THE SOLE RESPONSIBILITY OF THE MANUFACTURER					
4.	OBJECT OF THE DECLARATION:	Product: Function:	900W Microwave Heating and reheating of foodstuffs		
5i.	THE OBJECT OF THE DECLARATION DESCRIBED IN POINT 4 IS IN CONFORMITY WITH THE RELEVANT UNION HARMONISATION LEGISLATION:	2023/826/EU 2014/30/EU 2014/35/EU 1935/2004 1907/2006/EC 2011/65/EU	Ecodesign Requirements The Electromagnetic Compatibility Directive The Low Voltage Directive European Parliament and of the Council of 27 October 2004 Registration, Evaluation, Authorisation, and Restriction of Chemicals The Restriction of Hazardous Substances Directive		
5ii.	THE OBJECT OF THE DECLARATION DESCRIBED IN POINT 4 IS IN CONFORMITY WITH THE RELEVANT UK STATUTORY INSTRUMENTS:	2010/2617 2016 No. 1091 2016 No. 1101 2019 No. 758 2012 No. 3032	Ecodesign for Energy-Related Products Regulations 2010 The Electromagnetic Compatibility Regulations 2016 The Electrical Equipment (Safety) Regulations 2016 Registration, Evaluation, Authorisation, and Restriction of Chemicals Regulation 2019 The Restriction of the Use of Certain Hazardous Substances in Electrical and Electronic Equipment Regulations 2012		
6.	REFERENCES TO THE RELEVANT HARMONISED SAFETY STANDARDS USED OR REFERENCES TO THE OTHER TECHNICAL SPECIFICATIONS IN RELATION TO WHICH CONFORMITY IS DECLARED:	EN 55011:2016+A1+A11+A2 EN IEC 55014-2:2021 EN IEC 61000-3-2:2019+A1+A2 EN 61000-3-3:2013+A1+A2 EN 60335-1:2012+A11+A13+A1+A144+A2+A15+A16 EN IEC 60335-2-25:2021+A11 EN 62233:2008 BS 1363-1:2016+A1:2018	Industrial, scientific and medical equipment. Radio-frequency disturbance characteristics. Limits and methods of measurements Electromagnetic compatibility. Requirements for household appliances, electric tools and similar apparatus. Immunity Electromagnetic compatibility (EMC). Limits. Limits for harmonic current emissions (equipment input current ≤ 16 A per phase) Electromagnetic compatibility (EMC). Limits. Limitation of voltage changes, voltage fluctuations and flicker in public low-voltage supply systems, for equipment with rated current ≤ 16 A per phase and not subject to conditional connection Household and similar electrical appliances. Safety - General requirements Household and similar electrical appliances. Safety - Particular requirements for microwave ovens, including combination microwave ovens Measurement methods for electromagnetic fields of household appliances and similar apparatus with regard to human exposure 13A plugs, socket-outlets, adaptors and connection units - Specification for rewirable and non-rewirable 13A fused plugs		
7.	ADDITIONAL INFORMATION. THE TECHNICAL DOCUMENTATION FOR THE MACHINERY IS AVAILABLE FROM:	Name: Address: Country:	Genpower Ltd. Isaac Way Pembroke Dock, SA72 4RW UK		
SIGNED FOR AND ON BEHALF OF:		Genpower Limited WALES, UK 25/03/2026 ROLAND.J.LLEWELIN MANAGING DIRECTOR 			
PLACE OF ISSUE: DATE OF ISSUE: NAME: FUNCTION: SIGNATURE:					

Useful Information

Check Out Our YouTube Channel

Our videos on YouTube include:

- Unboxing
- Assembly of your machine
- How to service your machine
- Products in use
- 'How To' videos
- Product features

Go to YouTube and search '**Hyundai Power Products**'.

Warranty

Proof of purchase will be required before you make a warranty claim. Full warranty terms and conditions can be found on the HYUNDAI POWER PRODUCTS website:
www.hyundaipowerproducts.co.uk

Manual Updates

Our manuals are constantly being reviewed and updated. Should you find an error, omission or something unclear, please contact us for assistance. We reserve the right to make any modifications without prior notice whenever necessary. Our latest manuals are also placed online. All our manuals can be downloaded at:
www.hyundaipowerproducts.co.uk

Returning Your Product

If you are returning your product, please contact the dealer for their returns policy

Leaving A Review

We work very hard to give all of our customers the best possible service. If you have any problems, before leaving negative feedback, please contact us to give us a chance to resolve the issue. We would be delighted if you left us positive feedback! To leave a review, please go to:
uk.trustpilot.com/review/hyundaipowerequipment.co.uk

Ordering Spare Parts

You can find the spare part you are looking for at **power-spare.co.uk**

Product Record

Information

As soon as you have purchased the machine, we recommend that you fill out the following. If you need to contact an authorised dealer or customer service for information on servicing, you may need to provide the following information.

Date Of Purchase:

Dealer Name:

Dealer Phone:

Model Number:

Serial/Batch Number:



Contact Us

Need Help? Talk To Our Experts

Our friendly aftersales team will be more than happy to help you.



Phone

Call our team on 01646 687 880



Email

aftersales@hyundaipowerproducts.co.uk



Online Live Chat

Go to www.hyundaipowerproducts.co.uk



Post

Genpower Ltd, Isaac Way, Pembroke Dock, Pembrokeshire, SA72 4RW.



Hyundai Support Website

Go to hyundaisupport.co.uk



HYUNDAI

APPLIANCES



GENUINE PRODUCT OF
HYUNDAI CORPORATION

For Inquiries, Please Contact:
GENPOWER LTD
Isaac Way, London Road,
Pembroke Dock, UK, SA72 4RW.
T: +44 (0) 1646 687 880
E: info@hyundaipowerproducts.co.uk
www.hyundaipowerproducts.co.uk

Imported / Distributed by Genpower Ltd for
the United Kingdom & Ireland

Licensed by Hyundai Corporation Holdings, Korea

