

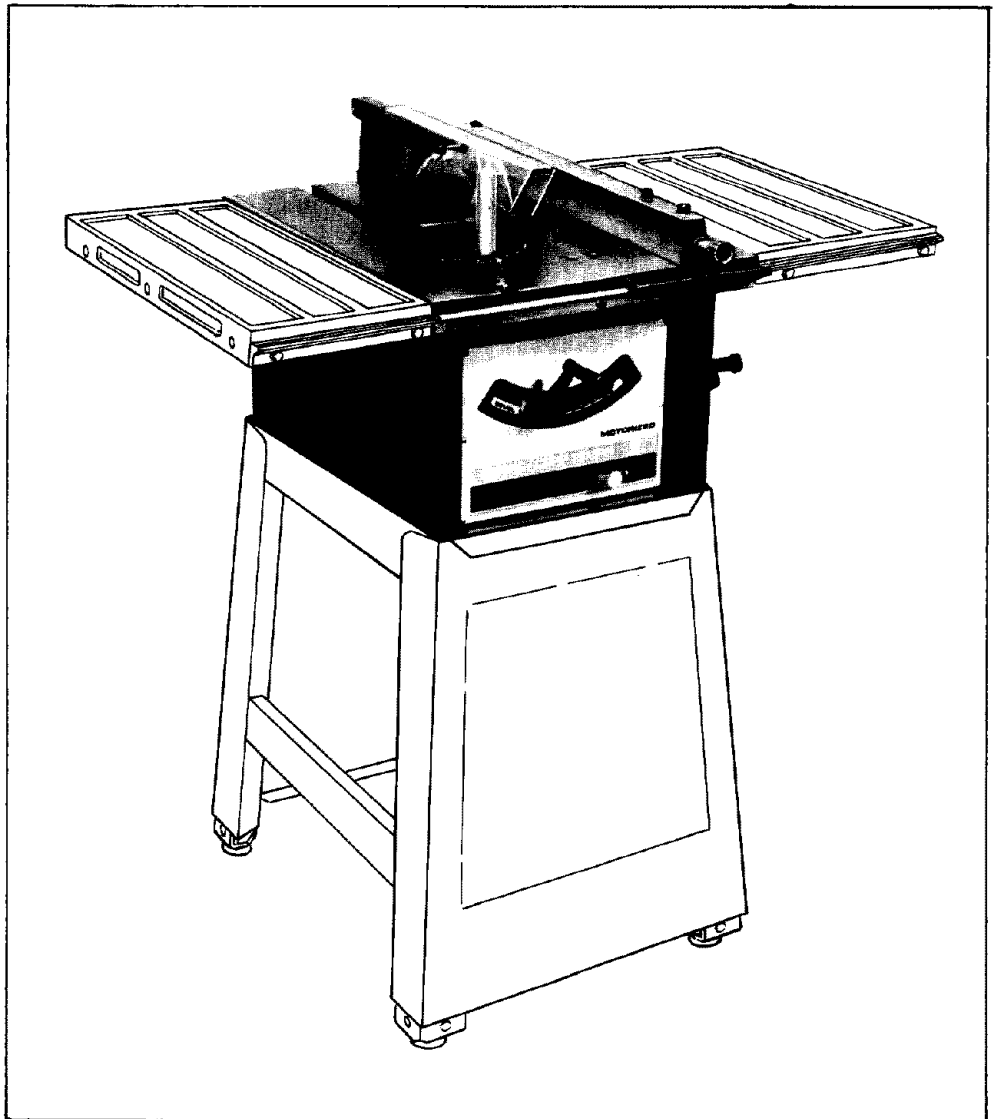
Sears

*owners
manual*

**MODEL NO.
113.24140**

CAUTION:

Read **GENERAL**
and **ADDITIONAL**
SAFETY
INSTRUCTIONS
carefully



CRAFTSMAN

***9-INCH MOTORIZED
TABLE SAW***

*assembly
operating
repair parts*

SEARS, ROEBUCK AND CO., Chicago, IL 60684 U.S.A. and SIMPSONS-SEARS LIMITED, Toronto

POWER TOOL GUARANTEE

Craftsman power tools (or welders) are unconditionally guaranteed, for one year, to give complete satisfaction or the tool will be repaired free of charge.

This guarantee service is available through any of our stores, or service centers throughout the United States or Canada.

SEARS, ROEBUCK AND CO. • SIMPSONS-SEARS LIMITED

general safety instructions for power tools

1. KNOW YOUR POWER TOOL

Read the owner's manual carefully. Learn its application and limitations as well as the specific potential hazards peculiar to this tool.

2. GROUND ALL TOOLS

This tool is equipped with an approved 3-conductor cord and a 3-prong grounding type plug to fit the proper grounding type receptacle. The green conductor in the cord is the grounding wire. Never connect the green wire to a live terminal.

3. KEEP GUARDS IN PLACE

and in working order.

4. REMOVE ADJUSTING KEYS AND WRENCHES

Form habit of checking to see that keys and adjusting wrenches are removed from tool before turning it on.

5. KEEP WORK AREA CLEAN

Cluttered areas and benches invite accidents. Floor must not be slippery due to wax or sawdust.

6. AVOID DANGEROUS ENVIRONMENT

Don't use power tools in damp or wet locations. Keep work area well lit. Provide adequate surrounding work space.

7. KEEP CHILDREN AWAY

All visitors should be kept a safe distance from work area.

8. MAKE WORKSHOP KID-PROOF

— with padlocks, master switches, or by removing starter keys.

9. DON'T FORCE TOOL

It will do the job better and safer at the rate for which it was designed.

10. USE RIGHT TOOL

Don't force tool or attachment to do a job it was not designed for.

11. WEAR PROPER APPAREL

No loose clothing, gloves, neckties or jewelry to get caught in moving parts. Rubber-soled footwear is recommended for best footing.

12. USE SAFETY GOGGLES

Safety goggles must comply with ANS Z87.1-1968.

Also use face or dust mask if cutting operation is dusty.

13. SECURE WORK

Use clamps or a vise to hold work when practical. It's safer than using your hand, frees both hands to operate tool.

14. DON'T OVERREACH

Keep proper footing and balance at all times.

15. MAINTAIN TOOLS WITH CARE

Keep tools sharp and clean for best and safest performance. Follow instructions for lubricating and changing accessories.

16. DISCONNECT TOOLS

before servicing; when changing accessories such as blades, bits, cutters, etc.

17. AVOID ACCIDENTAL STARTING

Make sure switch is in "OFF" position before plugging in.

18. USE RECOMMENDED ACCESSORIES

Consult the owner's manual for recommended accessories. Follow the instructions that accompany the accessories. The use of improper accessories may cause hazards.

19. NEVER STAND ON TOOL

Serious injury could occur if the tool is tipped or if the cutting tool is accidentally contacted.

Do not store materials above or near the tool such that it is necessary to stand on the tool to reach them.

20. CHECK DAMAGED PARTS

Before further use of the tool, a guard or other part that is damaged should be carefully checked to ensure that it will operate properly and perform its intended function — check for alignment of moving parts, binding of moving parts, breakage of parts, mounting, and any other conditions that may affect its operation. A guard or other part that is damaged should be properly repaired or replaced.



THIS SAFETY SEAL OF THE
POWER TOOL INSTITUTE ASSURES YOU . . .

1. That the manufacturer's power tools, including the particular tool associated with the Seal, are produced in accordance with applicable Standards For Safety of Underwriters' Laboratories and American National Standards (ANSI).

2. That compliance with applicable safety standards is assured by independent inspection and testing conducted by Underwriters' Laboratories (UL).

3. That every motorized tool is inspected under power.

4. That every tool has with it adequate instructions and a list of safety rules for the protection of the user.

5. That the tool manufacturer is a member of the Power Tool Institute and is a sponsor of the Institute's Consumer Safety Education Program.

additional safety instructions for table saws

WARNING: FOR YOUR OWN SAFETY, DO NOT ATTEMPT TO OPERATE YOUR SAW UNTIL IT IS COMPLETELY ASSEMBLED AND INSTALLED ACCORDING TO THE INSTRUCTIONS ... AND UNTIL YOU HAVE READ AND UNDERSTOOD THE FOLLOWING.

1. GENERAL SAFETY INSTRUCTIONS FOR POWER TOOLS ... SEE PG. 2
2. GETTING TO KNOW YOUR SAW ... SEE PG. 8
3. BASIC SAW OPERATION ... SEE PG. 11
4. ADJUSTMENTS ... SEE PG. 17
5. MAINTENANCE ... SEE PG. 20
6. STABILITY OF SAW

If there is any tendency for the saw to tip over or move during certain cutting operations such as cutting extremely large heavy panels or long heavy boards, the saw should be bolted down.

If you attach any kind of table extensions over 24" wide, make sure they are supported underneath by a sturdy brace attached to saw base or bench.

7. LOCATION

The saw should be positioned so neither the operator nor a casual observer is forced to stand in line with the saw blade.

8. KICKBACKS

Kickbacks can cause serious injury: A kickback occurs when a part of the workpiece binds between the sawblade and the rip fence or other fixed object, rises from the table, and is thrown toward the operator.

Keep your face and body to one side of the sawblade, out of line with a possible "Kickback".

Kickbacks — and possible injury from them — can usually be avoided by:

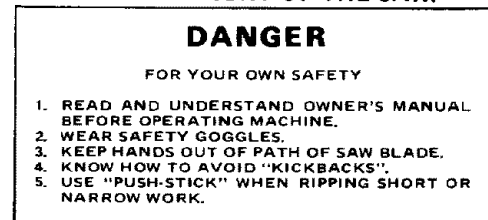
- a. Maintaining the rip fence parallel to the sawblade.
 - b. Keeping the sawblade sharp. Keeping points of anti-kickback pawls sharp.
 - c. Keeping sawblade guard, spreader, and anti-kickback pawls in place and operating properly. The spreader must be in alignment with the sawblade and the pawls must stop a kickback once it has started. Check their action before ripping.
 - d. NOT ripping work that is twisted or warped or does not have a straight edge to guide along the fence.
 - e. NOT releasing work until you have pushed it all the way past the sawblade.
 - f. Using a push stick for ripping widths of 2 to 6 inches, and an auxiliary fence/push block for ripping widths narrower than 2 inches (See section on "Ripping").
- ## 9. PROTECTION: EYES, HANDS, FACE, EARS, BODY
- a. If any part of your saw is malfunctioning, has been damaged or broken ... such as the motor switch, or other operating control, a safety device or the power cord ... cease operating immediately until the particular part is properly repaired or replaced.
 - b. Wear safety goggles that comply with ANS Z87.1-1968, and a face shield if operation is dusty. Wear ear plugs or muffs during extended periods of operation.
 - c. Small loose pieces of wood or other objects that contact the rear of the revolving blade can be thrown back at the operator at excessive speed. This can usually be avoided by keeping the guard and spreader in place for all thru-sawing operations (sawing entirely thru the work) AND by removing all loose pieces from the table with a long stick of wood IMMEDIATELY after they are cut off.

- d. Use extra caution when the guard assembly is removed for resawing, dadoing, rabbeting, or molding — replace the guard as soon as that operation is completed.
- e. NEVER turn the saw "ON" before clearing the table of all tools, wood scraps, etc., except the workpiece and related feed or support devices for the operation planned.
- f. NEVER place your face or body in line with the cutting tool.
- g. NEVER place your fingers or hands in the path of the sawblade or other cutting tool.
- h. NEVER reach in back of the cutting tool with either hand to hold down or support the workpiece, remove wood scraps, or for any other reason. Avoid awkward operations and hand positions where a sudden slip could cause fingers or hand to move into a sawblade or other cutting tool.
- i. DO NOT perform any operation "FREEHAND" — always use either the fence or the miter gauge to position and guide the work.
- j. NEVER use the fence when crosscutting or the miter gauge when ripping. DO NOT use the fence as a length stop.
- k. Shut "OFF" the saw and disconnect the power cord when removing the table insert, changing the cutting tool, removing or replacing the blade guard, or making adjustments.
- l. Provide adequate support to the rear and sides of the saw table for wider or long workpieces.
- m. Plastic and composition (like hardboard) materials may be cut on your saw. However, since these are usually quite hard and slippery, the anti-kickback pawls may not stop a kickback. Therefore, be especially attentive to following proper set-up and cutting procedures for ripping these materials. Do not stand, or permit anyone else to stand, in line with a potential kickback.

10. KNOW YOUR CUTTING TOOLS

- a. Dull, gummy, or improperly sharpened or set cutting tools can cause material to stick, jam, stall the saw, or kickback at the operator. Minimize potential injury by proper cutting tool and machine maintenance. NEVER ATTEMPT TO FREE A STALLED SAWBLADE WITHOUT FIRST TURNING THE SAW OFF.
- b. Never use grinding wheels, abrasive cut-off wheels, friction wheels (metal slitting blades), wire wheels or buffing wheels.

11. NOTE THE FOLLOWING DANGER LABEL WHICH APPEARS ON THE FRONT OF THE SAW.



12. THINK SAFETY

Safety is a combination of operator common sense and alertness at all times when the saw is being used.

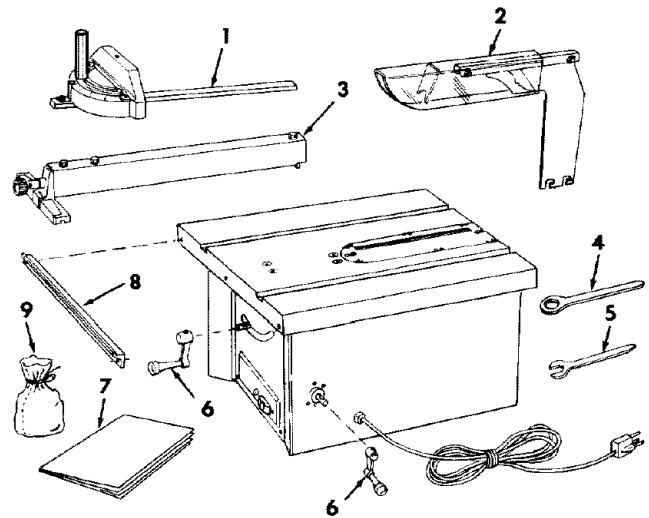
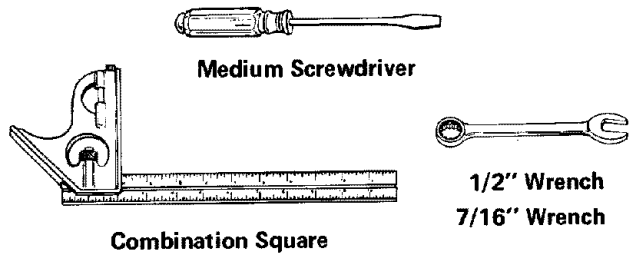
WARNING: DO NOT ALLOW FAMILIARITY (GAINED FROM FREQUENT USE OF YOUR SAW) TO BECOME COMMONPLACE. ALWAYS REMEMBER THAT A CARELESS FRACTION OF A SECOND IS SUFFICIENT TO INFLICT SEVERE INJURY.

unpacking and checking contents

CONTENTS

General Safety Instructions for Power Tools	2
Additional Safety Instructions for Bench Saws	3
Guarantee	2
Unpacking and Checking Contents	4
Table of Loose Parts	4
Assembly	5
Installing Blade Guard	6
Getting To Know Your Saw	8
Operating Controls	8
Removing Table Insert	8
Removing and Installing Saw Blade	9
On-Off Switch	9
Motor Specifications and Electrical Requirements	10
Basic Saw Operation	11
Crosscutting	11
Miter Cutting	12
Bevel Cutting	12
Compound Miter Cutting	12
Ripping	13
Resawing	16
Rabbeting	17
Adjustments	17
Miter Gage	17
Heeling Adjustment	17
Rip Fence	18
Table Insert	18
Blade Tilt	19
Maintenance	20
Lubrication	21
Recommended Accessories	21
Trouble Shooting	22
Repair Parts	24

TOOLS NEEDED



Your Craftsman 9 inch Motorized Table Saw is shipped complete in one carton. Floor base and table extensions are optional accessories.

Separate all parts from packing materials and check each one with the illustration and the "Table of Loose Parts" to make certain all items are accounted for, before discarding any packing material.

If any parts are missing, do not attempt to assemble the table saw, plug in the power cord or turn the switch on until the missing parts are obtained and are installed correctly.

Remove the protective oil that is applied to the table top and edges of the table. Use any ordinary household type grease and spot remover.

CAUTION: Never use gasoline, naphtha or similar highly volatile solvents.

Apply a coat of automobile wax to the table.

Wipe all parts thoroughly with a clean, dry cloth.

WARNING: FOR YOUR OWN SAFETY, NEVER CONNECT PLUG TO POWER SOURCE OUTLET UNTIL ALL ASSEMBLY STEPS ARE COMPLETE.

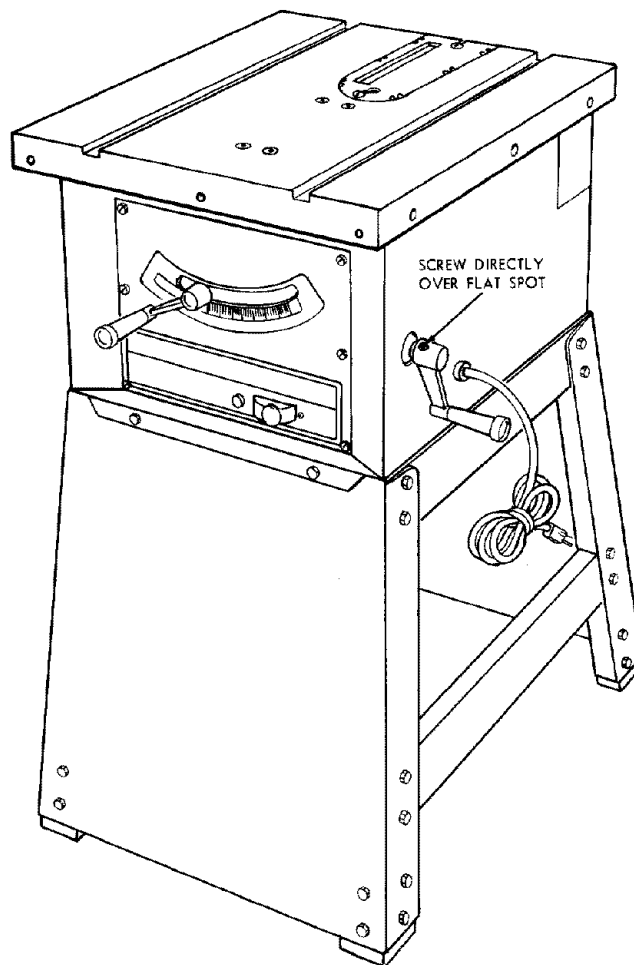
Key No.	Part Name	Qty.
1	Miter Gauge	1
2	Blade Guard and Spreader	1
3	Rip Fence	1
4	Wrench, Arbor	1
5	Wrench, Shaft	1
6	Crank Asm.	2
7	Owners Manual	1
8	Bar, Fence Guide	1
9	Bag of Loose Parts Part No. 62455	1
	Clamp-Spreader	2
	Bolt, Carriage 1/4-20 x 1-3/4	2
	Lockwasher, Int. 1/4	2
	Nut, Hex 1/4-20 x 7/16 x 3/16	2
	Washer, 17/64 x 7/16 x 1/32	2
	Wing Screw	2
	Set Screw Wrench, 1/8	1
	Set Screw Wrench, 3/16	1
	Switch Keys	2
	Bracket	1
	Screw, Pan Hd. 10-32 x 3/4	3
	Lockwasher, Int. No. 10	3
	Nut, Hex 10-32	3

assembly

MOUNTING SAW ON CRAFTSMAN FLOOR BASE

1. Place saw on base so that front corners of saw are even with corners of base.
2. Find four hex. head bolts 3/4 in. long, nuts and washers furnished with base.
3. Insert all four bolts through holes in saw and base ... install washers and nuts ... tighten nuts using 1/2 inch wrench.

If you mount the saw on any other bench, make sure that there is an opening in the top of the bench the same size as the opening in the bottom of the saw so that the sawdust can drop through. Recommended working height is 33 to 37 inches from the top of the saw table to the floor.



INSTALLING ELEVATION AND TILT CRANKS

1. Line up set screw in cranks with FLAT SPOTS on shafts ... tighten screws using 1/8 inch set screw wrench furnished with saw.

INSTALLING FENCE GUIDE BAR

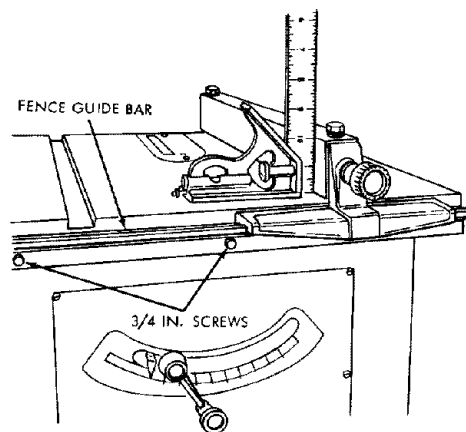
1. Find three pan head screws 10-32 x 3/4 inch, lockwashers and hex. nuts among the loose parts.



2. Insert screws through BAR ... through table ... install washers and nuts ... don't tighten.

NOTE: The holes are larger than the screws, therefore the bar can be adjusted UP or down.

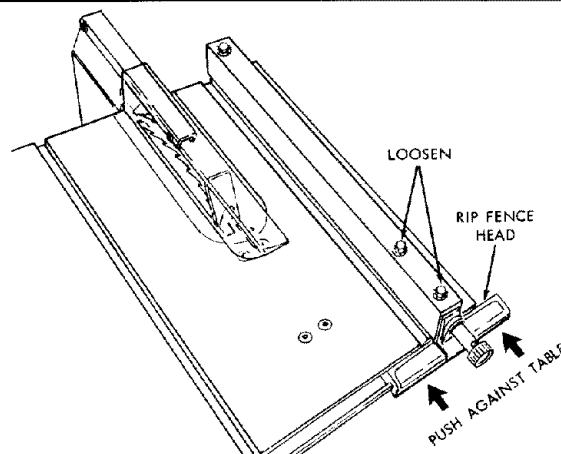
3. Place a square against the fence ... if the fence is not square with the table, move one end of bar UP or down until fence is square ... tighten screws.



ALIGNING RIP FENCE

The rip fence must be PARALLEL with the Sawblade and Miter Gage grooves. Push fence head against table ... move fence until it is along side of groove. It should be parallel to groove. If it is not;

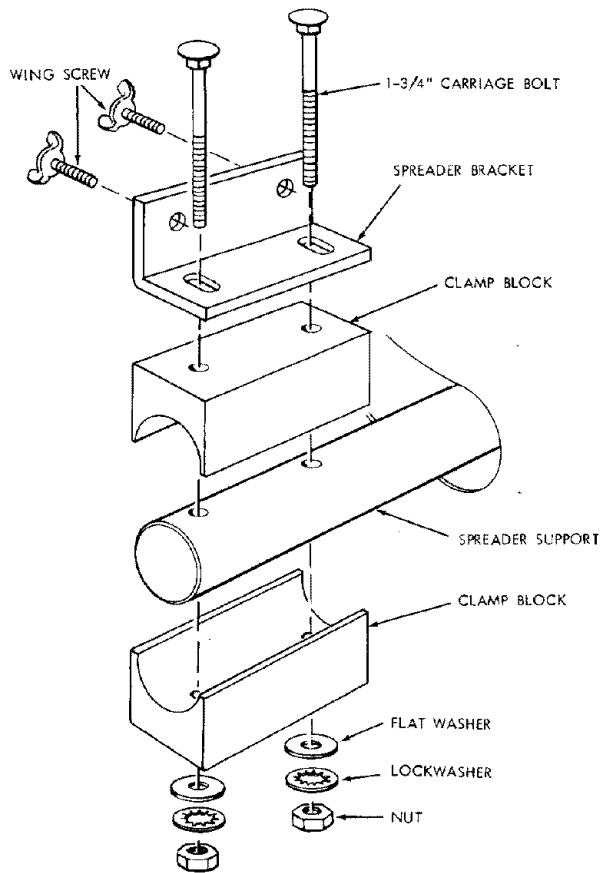
- a. Loosen the two "hex screws".
- b. Move end of fence so that it is parallel with the groove.
- c. Tighten the knob.
- d. Tighten the screws.



assembly

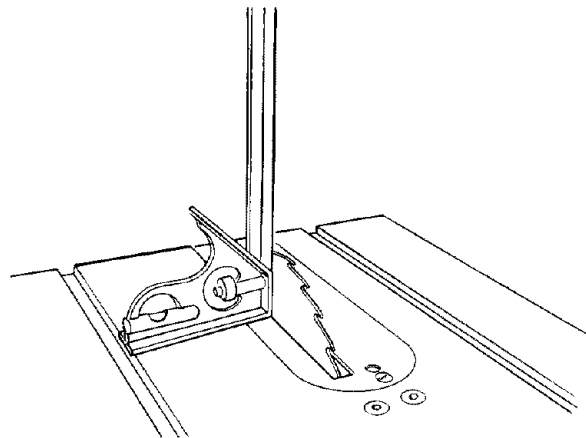
INSTALLING BLADE GUARD

1. Find the parts shown among the loose parts . . . attach to spreader support rod at the back of the saw . . . screw in wing screws . . . screw on nuts but **DO NOT TIGHTEN THEM**.

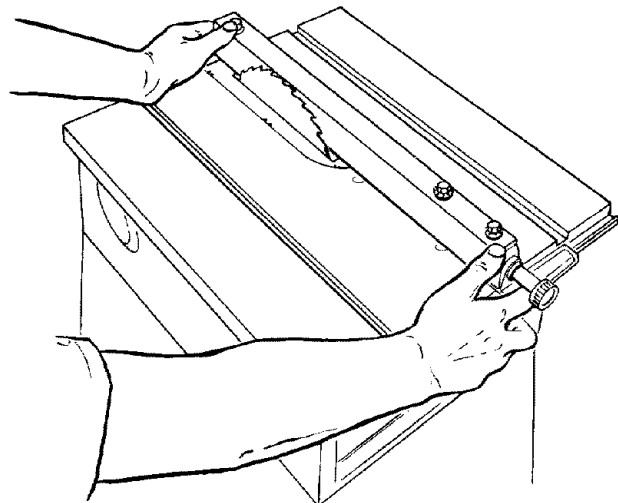


2. Turn ELEVATION crank counterclockwise until blade is up as high as it will go.

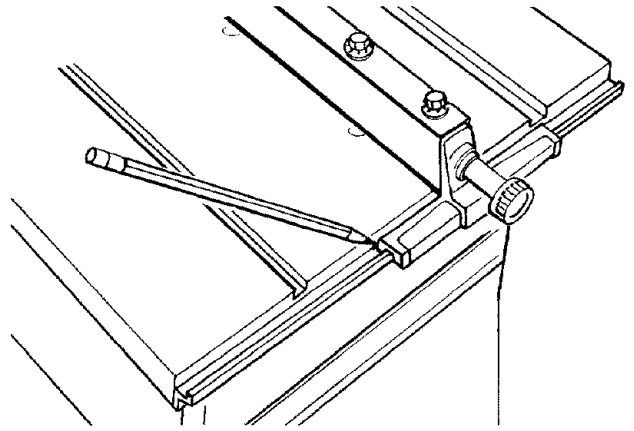
IMPORTANT: BLADE must be **SQUARE 90°** to **TABLE**, in order to **INSTALL** Blade Guard Correctly. Check for **BLADE SQUARENESS**, according to "BLADE TILT" adjustments. See **ADJUSTMENTS** section further on in this manual.



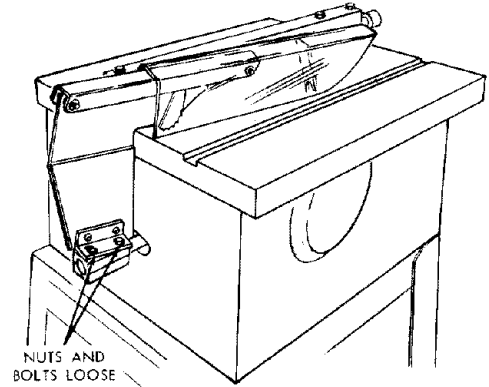
3. Place **RIP FENCE** on table . . . **CAREFULLY** move it against blade so that it is parallel to the blade, and just **TOUCHES** tips of saw teeth . . . tighten **RIP FENCE LOCK KNOB**.



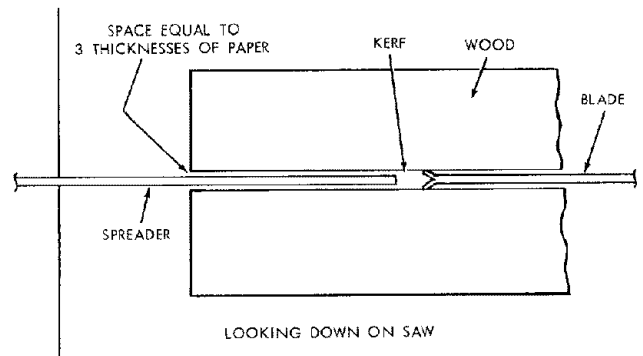
IMPORTANT: Make a black pencil line on the guide bar at the end of the rip fence head. This will be explained further on in this manual under "Basic Operation" . . . ripping . . .



- Place **BLADE GUARD** on table . . . engage slots in **SPREADER** with **WING SCREWS** . . . move spreader toward front of saw so that wing screw is at end of slot . . . **TIGHTEN** wing screws.

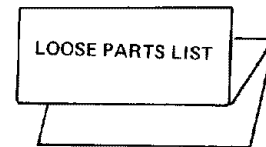


IMPORTANT – The **SPREADER** must always be **PARALLEL** to the sawblade and in the **MIDDLE** of the cut (**KERF**) made by the sawblade.

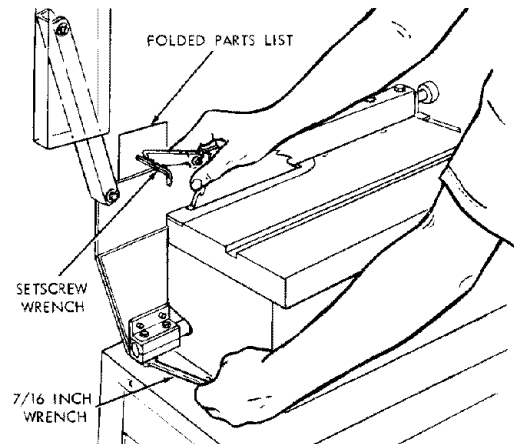


- Fold **LOOSE PARTS LIST** twice making **THREE** thicknesses.

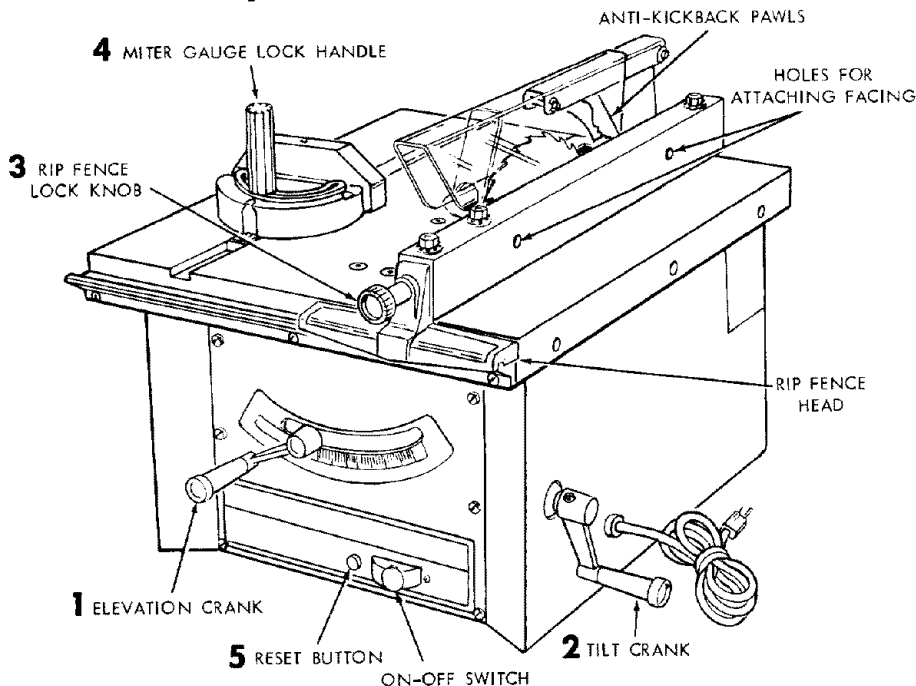
The spreader is thinner than the width of the **KERF** by approximately six thicknesses of paper. The folded parts list will be used as a "spacing gauge."



- Lift up both **ANTI-KICKBACK PAWLS** . . . insert one of the **SETSCREW WRENCHES** in the notches to hold the pawls out of the way.
- Insert folded paper between **SPREADER** and **FENCE** . . . hold spreader flat against fence . . . tighten **NUTS** on clamp screws . . . using **7/16 inch** wrench.



getting to know your saw



1. ELEVATION CRANK ... elevates or lowers the blade. Turn counterclockwise to elevate ... clockwise to lower.

2. TILT CRANK ... tilts the blade for bevel cutting. Turn clockwise to tilt toward left ... counterclockwise to tilt toward right.

When the blade is tilted to the **LEFT** as far as it will go, it should be at 45° to the table and the bevel pointer should point to 45° .

NOTE: There are **LIMIT STOPS** inside the saw which prevent the blade from tilting beyond 45° to the **LEFT** and 90° to the **RIGHT**. (See Adjustments Section further on in this manual).

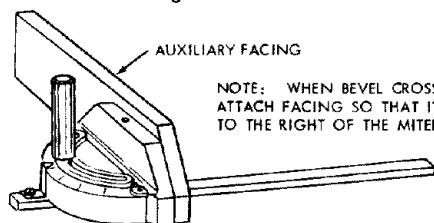
3. RIP FENCE LOCK KNOB ... locks the fence in position for ripping. Turn clockwise to tighten ... counterclockwise to loosen. While moving the fence, keep the **HEAD** of the fence against the table so that fence is always **PARALLEL** to blade. **ALWAYS LOCK FENCE SECURELY, WHEN IN USE.**

Holes are provided in the rip fence for attaching a wood facing when using the dado head or molding head.

4. MITER GAUGE LOCK HANDLE ... locks the miter gauge head in position for crosscutting or mitering. **ALWAYS LOCK THE MITER GAUGE SECURELY WHEN IN USE.**

Holes are provided in the miter gauge for attaching an **AUXILIARY FACING** to make it easier to cut long pieces.

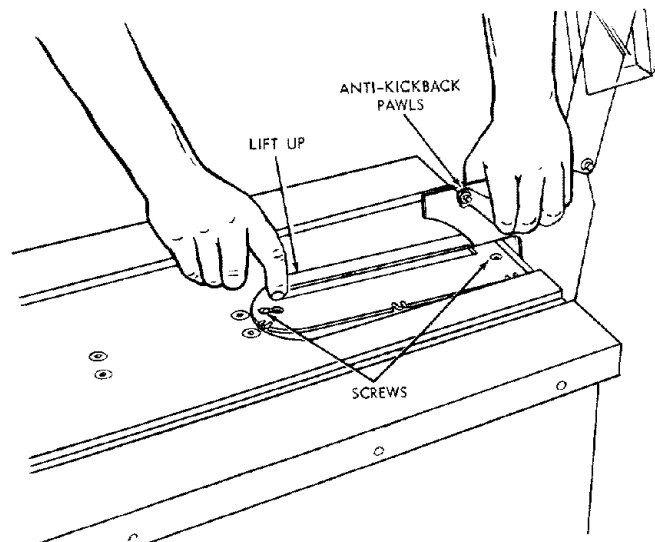
Select a suitable piece of smooth straight wood ... drill two holes through it and attach it with small screws and nuts. The nuts go inside of the miter gauge or ... drill $1/4$ inch holes all the way through the head. Then you can attach the facing with wood screws.



NOTE: WHEN BEVEL CROSSCUTTING, ATTACH FACING SO THAT IT EXTENDS TO THE RIGHT OF THE MITER GAUGE.

5. RESET BUTTON. ... See "Motor Specifications and Electrical Requirements" section further on in this manual ... "Motor Safety Protection."

TABLE INSERT is removable for removing or installing blades or other cutting tools ...



WARNING: FOR YOUR OWN SAFETY, TURN SWITCH "OFF" AND REMOVE PLUG FROM POWER SOURCE OUTLET BEFORE REMOVING INSERT.

1. Lower the blade below the table surface.
2. Loosen both screws.
3. Lift anti-kickback pawls.
4. Lift insert from front end, and pull toward front of saw.

NEVER OPERATE THE SAW WITHOUT THE PROPER INSERT IN PLACE. USE THE SAW BLADE INSERT WHEN SAWING ... USE THE COMBINATION DADO MOLDING INSERT WHEN DADOING OR MOLDING.

REMOVING AND INSTALLING SAWBLADE

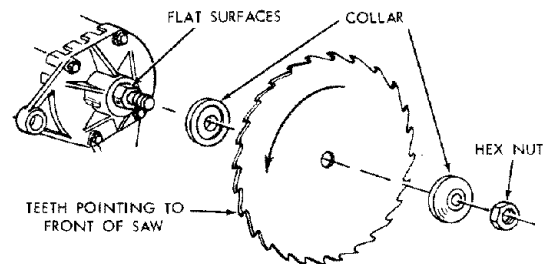
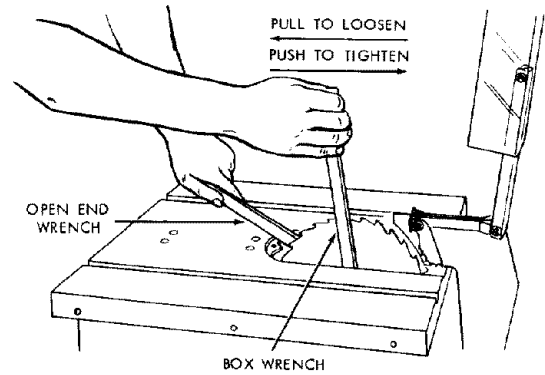
WARNING: FOR YOUR OWN SAFETY, TURN SWITCH "OFF" AND REMOVE PLUG FROM POWER SOURCE OUTLET BEFORE REMOVING OR INSTALLING SAWBLADE.

1. Remove insert.
2. Place OPEN END wrench on flat surfaces of saw ARBOR ... BOX wrench on nut ... position wrenches as shown ... hold your hands well above blade.
3. With OPEN END wrench against table, PULL BOX wrench FORWARD to LOOSEN nut.
4. To TIGHTEN nut ... HOLD open end wrench against rear of table ... PUSH box wrench toward rear.

When installing the blade ... make sure the teeth are pointing toward the front of the saw ... and that the blade and collars are clean, and free from any burrs.

The HOLLOW side of the collars must be against the blade.

Always tighten the arbor nut securely.



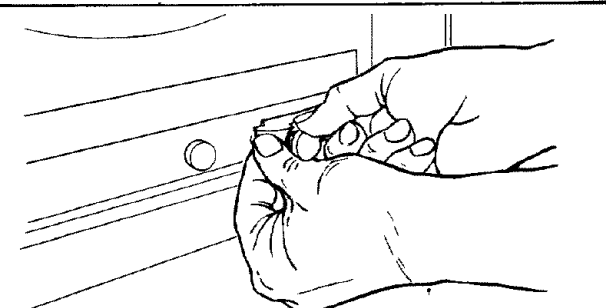
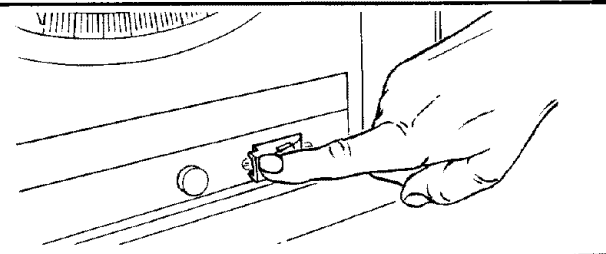
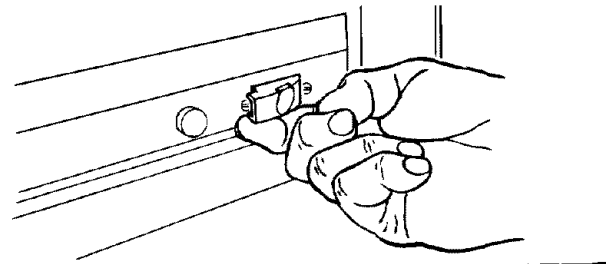
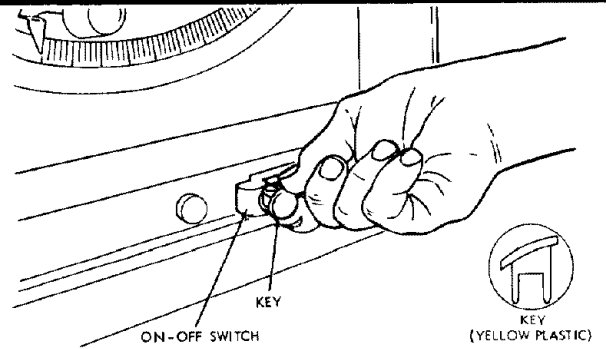
ON-OFF SWITCH

CAUTION: Before turning switch on, make sure the blade guard is correctly installed and operating properly.

The On-Off Switch has a locking feature. THIS SHOULD PREVENT UNAUTHORIZED AND POSSIBLY HAZARDOUS USE BY CHILDREN AND OTHERS.

1. Insert key into switch.
2. TO turn saw ON ... stand to either side of the blade never in line with it ... insert finger under switch lever and pull END of switch out.
After turning switch ON, always allow the blade to come up to full speed before cutting.
Do not cycle the motor switch on and off rapidly, as this may cause the sawblade to loosen. In the event this should ever occur, allow the sawblade to come to a complete stop and retighten the arbor nut normally, not excessively. Never leave the saw while the power is "ON".
3. TO turn saw OFF ... PUSH lever in. Never leave the saw until the cutting tool has come to a complete stop.
4. TO lock switch in OFF position ... hold switch IN with one hand ... REMOVE key with other hand.

WARNING: FOR YOUR OWN SAFETY, LOWER BLADE OR OTHER CUTTING TOOL BELOW TABLE SURFACE, AND ALWAYS LOCK THE SWITCH "OFF". WHEN SAW IS NOT IN USE ... REMOVE KEY AND KEEP IT IN A SAFE PLACE ... ALSO ... IN THE EVENT OF A POWER FAILURE (ALL OF YOUR LIGHTS GO OUT) TURN SWITCH OFF ... LOCK IT AND REMOVE THE KEY. THIS WILL PREVENT THE SAW FROM STARTING UP AGAIN WHEN THE POWER COMES BACK ON.



motor specifications and electrical requirements

MOTOR SPECIFICATIONS

The AC motor used in this saw is a capacitor start, non-reversible type, with the following specifications:

Voltage	120
Amperes	10.0
Hertz	60
Phase	Single
RPM	3450
Rotation (viewed from sawblade end)	Counterclockwise

MOTOR SAFETY PROTECTION

The saw motor is equipped with a manual-reset thermal overload protector, designed to open the power line circuit when the motor temperature exceeds a safe value.

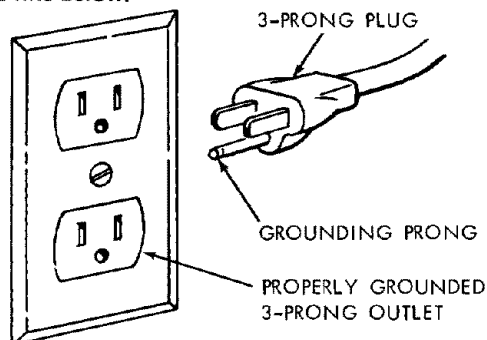
1. If the protector opens the line and stops the saw motor, move the saw switch lever to the "OFF" position immediately and allow the motor to cool.
2. After cooling to a safe operating temperature, the overload protector can be closed manually by pushing in the red RESET button on the front of saw. If the red button will not snap into place immediately, the motor is still too hot and must be allowed to cool for a while longer.
3. As soon as the red button will snap into running position, the saw may be started and operated normally by moving the saw switch lever to the "ON" position.
4. Frequent opening of fuses or circuit breakers may result if motor is overloaded, or if the motor circuit is fused with a fuse other than those recommended. Do not use a fuse of greater capacity without consulting the power company.
5. Although the motor is designed for operation on the voltage and frequency specified on motor nameplate, normal loads will be handled safely on voltages not more than 10% above or below the nameplate voltage. Heavy loads, however, require that voltage at motor terminals be not less than the voltage specified on nameplate.

CONNECTING TO POWER SOURCE OUTLET

This saw must be grounded while in use to protect the operator from electrical shock.

If power cord is worn or cut, or damaged in any way, have it replaced immediately.

If your unit is for use on less than 150 volts it has a plug that looks like below.



Plug power cord into a 110-120V properly grounded type outlet protected by a 15-amp. time delay or Circuit-Saver fuse or circuit breaker.

IF YOU ARE NOT SURE THAT YOUR OUTLET IS PROPERLY GROUNDED, HAVE IT CHECKED BY A QUALIFIED ELECTRICIAN.

WARNING: DO NOT PERMIT FINGERS TO TOUCH THE TERMINALS OF PLUGS WHEN INSTALLING OR REMOVING THE PLUG TO OR FROM THE OUTLET.

WARNING: IF NOT PROPERLY GROUNDED THIS POWER TOOL CAN INCUR THE POTENTIAL HAZARD OF ELECTRICAL SHOCK, PARTICULARLY WHEN USED IN DAMP LOCATIONS, IN PROXIMITY TO PLUMBING, OR OUT OF DOORS. IF AN ELECTRICAL SHOCK OCCURS THERE IS THE POTENTIAL OF A SECONDARY HAZARD SUCH AS YOUR HANDS CONTACTING THE SAWBLADE.

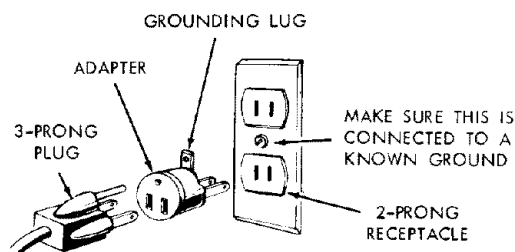
This power tool is equipped with a 3-conductor cord and grounding type plug which has a grounding prong, approved by Underwriters' Laboratories and the Canadian Standards Association. The ground conductor has a green lug and is attached to the tool housing at one end and to the ground prong in the attachment plug at the other end.

This plug requires a mating 3-conductor grounded type outlet as shown.

If the outlet you are planning to use for this power tool is of the two prong type **DO NOT REMOVE OR ALTER THE GROUNDING PRONG IN ANY MANNER.** Use an adapter as shown and always connect the grounding lug to known ground.

It is recommended that you have a qualified electrician replace the TWO prong outlet with a properly grounded THREE prong outlet.

An adapter as shown below is available for connecting plugs to 2-prong receptacles. The green grounding lug extending from the adapter must be connected to a permanent ground such as to a properly grounded outlet box.



NOTE: The adapter illustrated is for use only if you already have a properly grounded 2-prong receptacle. Adapter is not allowed in Canada by the Canadian Electrical Code.

The use of any extension cord will cause some loss of power. To keep this to a minimum and to prevent over-heating and motor burn-out, use the table below to determine the minimum wire size (A.W.G.) extension cord. Use only 3 wire extension cords which have 3 prong grounding type plugs and 3-pole receptacles which accept the tools plug.

Extension Cord Length	Wire Size A.W.G.
Up to 100 Ft.	12
100 - 200 Ft.	10
200 - 400 Ft.	8

basic saw operation

We recommend the following instructions for operating your saw so that you get the best results and to minimize the likelihood of personal injury.

CROSSCUTTING, MITER CUTTING, BEVEL CUTTING, COMPOUND MITER CUTTING and RABBETING across the end of a narrow workpiece are performed using the MITER GAGE.

WARNING: FOR YOUR OWN SAFETY, ALWAYS OBSERVE THE FOLLOWING SAFETY PRECAUTIONS.

1. Never make these cuts freehand (without using the miter gage or other auxiliary devices) because the blade could bind in the cut and cause a KICKBACK or cause your fingers or hand to slip into the blade.
2. Always lock the miter gage securely when in use.
3. Remove rip fence from table.
4. Make sure blade guard is installed.
5. Have blade extend approximately 1/8 inch above top of workpiece. Additional blade exposure could be hazardous.

NOTE: Glue a piece of sandpaper to the face of the miter gage head. This will help prevent the workpiece from "creeping" while it is being cut.

CROSSCUTTING

NOTE: The space between the miter gage bar and the groove in the table is held to a minimum during manufacturing.

For maximum accuracy when using the miter gage, always "favor" one side of the groove in the table. In other words, don't move the miter gage from side to side while cutting, but keep one side of the bar riding against one side of the groove.

CROSSCUTTING is known as cutting wood across the grain, at 90°, or square with both the edge and the flat side of the wood. This is done with the miter gage set at "0".

The miter gage may be used in either of the grooves in the table. Make sure it is locked.

When using the miter gage in the LEFT hand groove, hold the workpiece firmly against the miter gage head with your left hand, and grip the lock handle with your right ... or use Hold-Down Clamp (Optional Accessory).

REPETITIVE CUTTING

REPETITIVE CUTTING is known as cutting a quantity of pieces the same length without having to mark each piece.

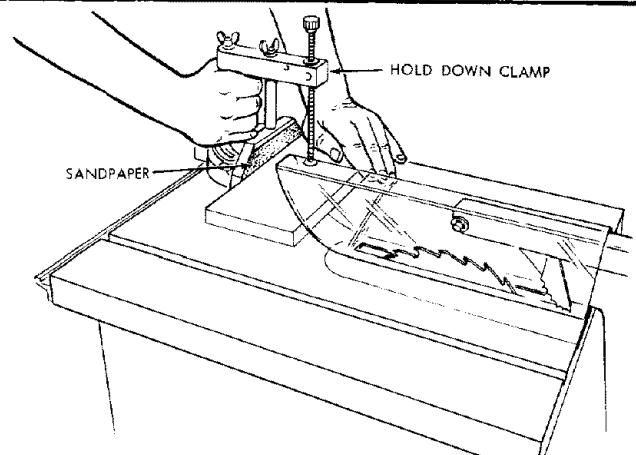
1. Use the Stop Rods (optional accessory) only for cutting duplicate pieces 6 inches long and longer.
2. NEVER guide or support the workpiece extending over the edge of the saw table with your free hand.

When making repetitive cuts from a long workpiece, be sure to support it from the floor.

You can make a simple support by clamping a piece of plywood to a sawhorse.

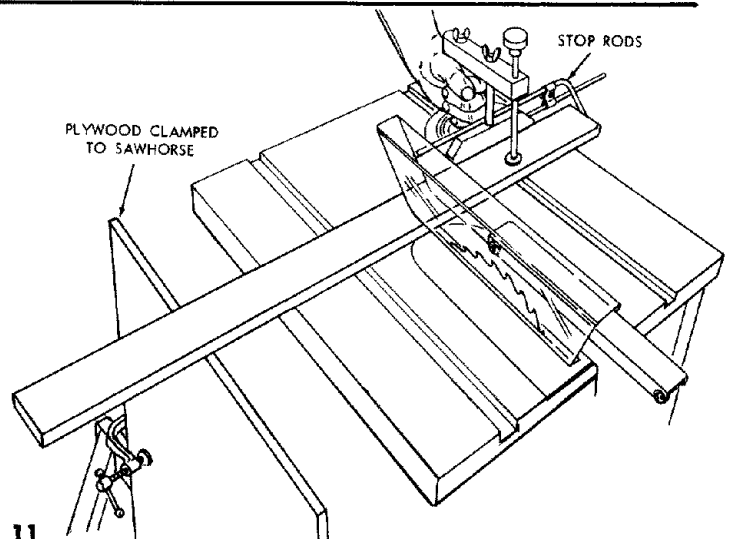
6. Do not stand directly in front of the blade in case of a KICKBACK. Stand to either side of the blade.
7. Keep your hands clear of the blade and out of the path of the blade.
8. If blade stalls or stops while cutting, TURN SWITCH OFF before attempting to free the blade.
9. Do not reach over or behind the blade to pull the workpiece through the cut ... to support long or heavy workpieces ... to remove small cut-off pieces of material or FOR ANY OTHER REASON.
10. Do not pick up small pieces of cut-off material from the table. REMOVE them by pushing them OFF the table with a long stick. Otherwise they could be thrown back at you by the rear of the blade.
11. Do not remove small pieces of cut-off material that may become TRAPPED inside the blade guard while the saw is RUNNING. THIS COULD ENDANGER YOUR HANDS or cause a KICKBACK.

Turn the saw OFF. After the blade has stopped turning, lift the guard and remove the piece.



When using the RIGHT hand groove, hold the workpiece with your right hand and the lockhandle with your left hand.

THE ADJUSTABLE TABLE EXTENSION is recommended for supporting long workpieces while crosscutting ... or you can make a simple support by clamping a piece of plywood to a sawhorse.



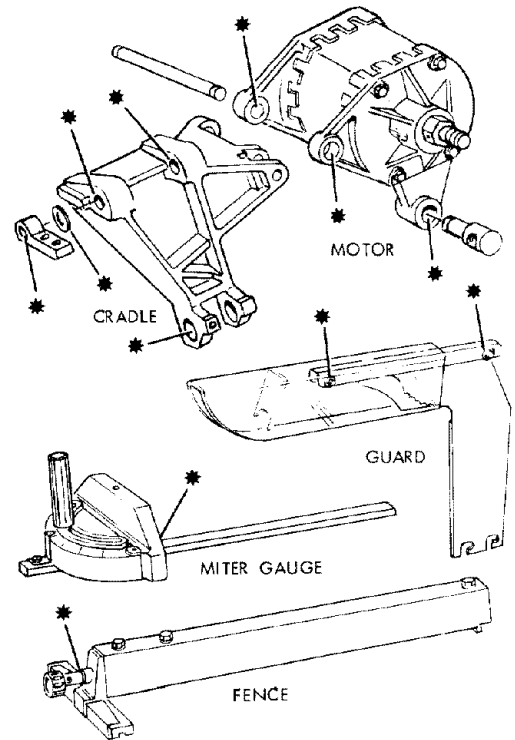
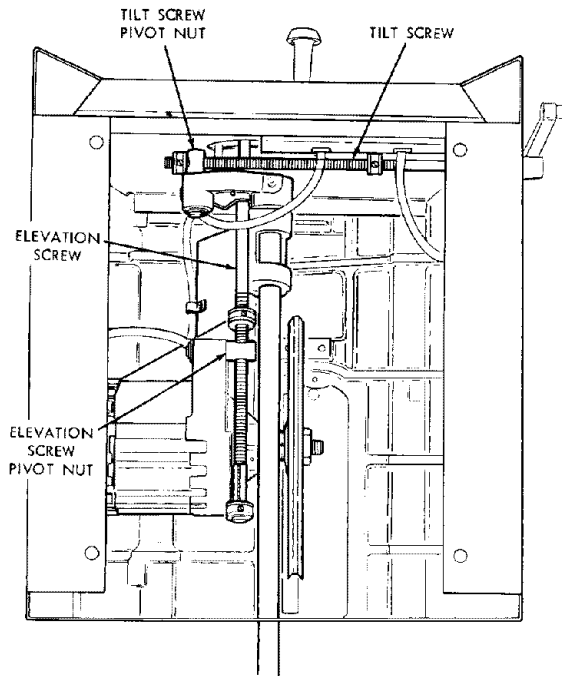
Lubrication

The saw motor bearings have been packed at the factory with proper lubricant and require no additional lubrication.

The following parts should be oiled occasionally with SAE No. 20 or No. 30 engine oil.

1. Tilt screw threads and pivot nut. (First clean with Craftsman gum & pitch remover.

2. Elevation screw threads and pivot nut. (First Clean with Craftsman gum & pitch remover.
3. Cradle bearing points.
4. Bearing points in guard assembly, miter gauge and rip fence.



RECOMMENDED ACCESSORIES

ITEM	CAT. NO.
Steel Base	9-22214
Tool Bench	9-1071
Solid Table Extension	9-24277
Adjustable Table Extension	9-2178
Combination Dado/Molding Insert	9-29934
Casters	9-22201
Sawblades	See Catalog
7-In. Dia. Molding Head	9-3217
6-In. Dia. Dado Head	9-3249
7-In. Dia. Adjustable Dado Head	9-3267
7-In. Dia. Dado Head	9-3257
Blade Stabilizers	9-4952
Miter-Gauge Stop Rods	9-29924
Miter-Gauge Hold-Down Clamp	9-29928
Hold-Down Set	9-3230
Taper Jig	9-3233
Universal Jig	9-3231
Sanding Wheel	9-2274
Work Light	9-2480
Work Light	9-2481

The above recommended accessories are current and were available at the time this manual was printed.



RIPPING, BEVEL RIPPING, RESAWING AND RABBETING (along the edge of a workpiece) are performed using the RIP FENCE together with AUXILIARY devices when required.

WARNING: FOR YOUR OWN SAFETY, ALWAYS OBSERVE THE FOLLOWING SAFETY PRECAUTIONS.

1. Never make these cuts FREEHAND (without using the rip fence or auxiliary devices when required) because the blade could bind in the cut and cause a KICKBACK.
2. Always lock the rip fence securely when in use.
3. Remove miter gage from table.
4. Make sure blade guard is installed for all rip type cuts. Replace the guard IMMEDIATELY following completion of resawing, rabbeting, dadoing, or molding operations.

Frequently check the action of the ANTI-KICKBACK PAWLS by passing the workpiece alongside of the spreader while saw is OFF.

Pull the workpiece TOWARD you. If the PAWLS do not DIG into the workpiece and HOLD it ... the pawls must be SHARPENED. Refer to "Maintenance" section further on in this manual.

5. Have blade extend approximately 1/8 inch above top of workpiece. Additional blade exposure could be hazardous.
6. Do not stand directly in front of the blade in case of a KICKBACK. Stand to either side of the blade.
7. Keep your hands clear of the blade and out of the path of the blade.
8. If the blade stalls or stops while cutting, TURN SWITCH OFF before attempting to free the blade.
9. Do not reach over or behind the blade to pull the workpiece through the cut ... to support long or heavy workpieces ... to remove small cut-off pieces of material or FOR ANY OTHER REASON.
10. Do not pick up small pieces of cut-off material from the table. REMOVE them by pushing them OFF the table with a long stick. Otherwise they could be thrown back at you by the rear of the blade.
11. Do not remove small pieces of cut-off material that may become TRAPPED inside the blade guard while the saw is RUNNING. THIS COULD ENDANGER YOUR HANDS or cause a KICKBACK.

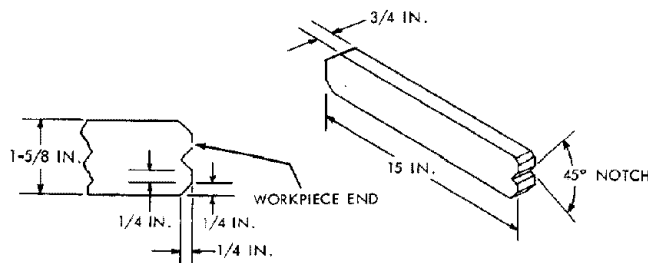
Turn the saw OFF ... lift the guard and remove the piece.

Certain ripping cuts require the use of Auxiliary Devices.

Learn to know WHEN and HOW to use these devices for NARROW ripping. You can make them from scraps of wood.

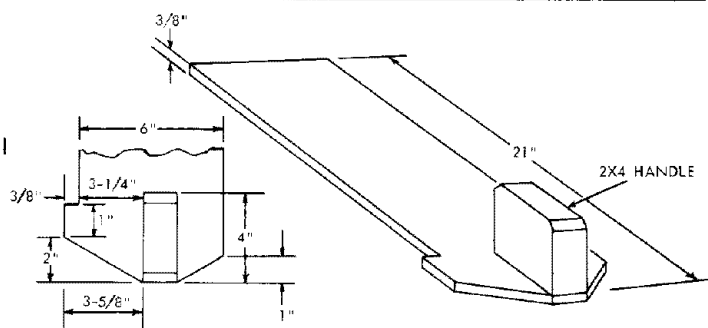
PUSH STICK

Make one using a small piece of 1 x 2.



AUXILIARY FENCE/PUSH BLOCK

Make one using a piece of 3/8 inch plywood and a small piece of 2 x 4.

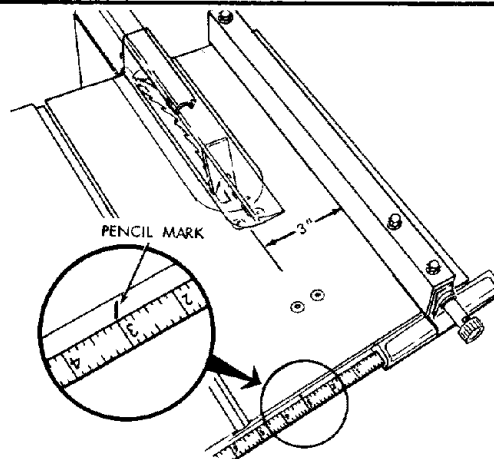


RIPPING

RIPPING is known as cutting a piece of wood with the grain, or lengthwise. This is done using the rip fence.

Position the fence to the desired WIDTH OF RIP by measuring the distance from the "pencil mark" (which you made when installing the Blade Guard) to the end of the rip fence head and lock it.

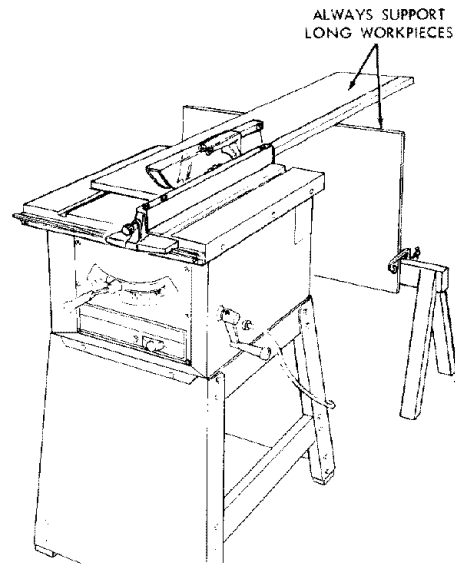
NOTE: When bevel ripping 6 inches or narrower use fence on the right side of the sawblade ONLY. This will provide more space between the fence and the sawblade for use of a push stick. If the fence is mounted to the left, the sawblade guard may interfere with the proper use of a push stick.



basic saw operation

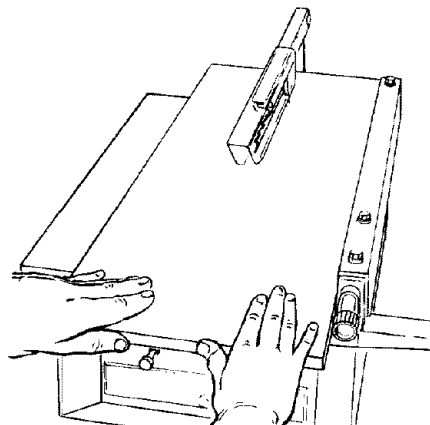
WORK SUPPORT

Use a "saw horse" . . . and a piece of plywood.

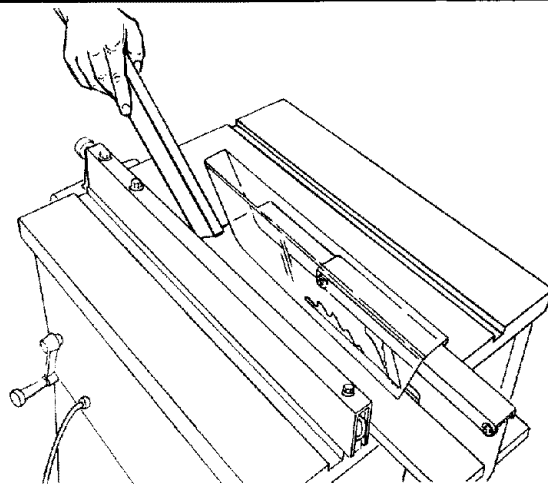


When "WIDTH OF RIP" is 6 inches and WIDER use your RIGHT hand to feed the workpiece until it is clear of the table.

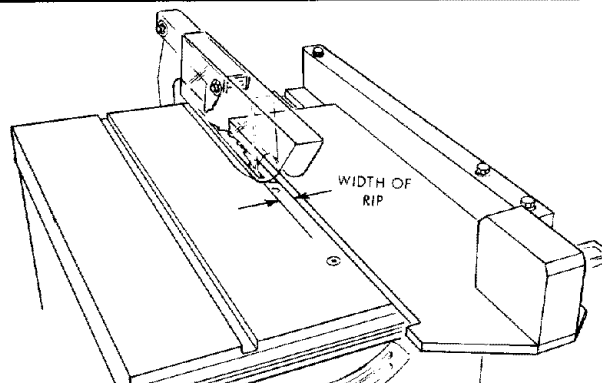
Use LEFT hand ONLY to guide the workpiece . . . do not FEED the workpiece with the left hand.



When "WIDTH of RIP" is 2 inches to 6 inches wide USE THE PUSH STICK to feed the work.



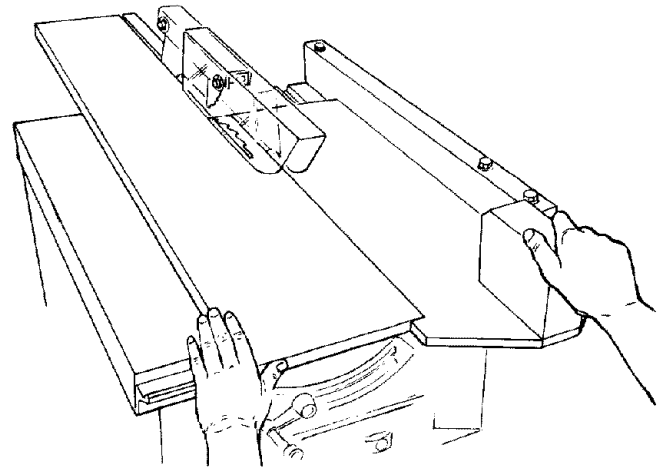
When WIDTH of RIP is **NARROWER** than 2 inches, the push stick **CANNOT** be used because the guard will **INTERFERE** . . . USE the **AUXILIARY FENCE/PUSH BLOCK**.



NARROW RIPPING – SHORT PIECES – UP TO 18"

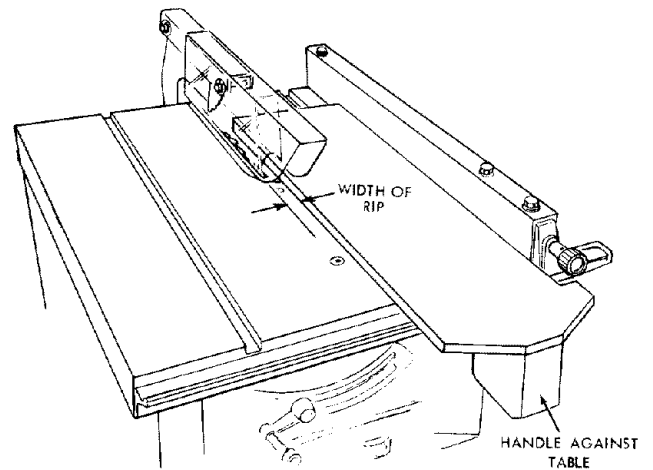
Position the AUXILIARY FENCE to the desired WIDTH OF RIP ... lock RIP FENCE in place.

Hold workpiece against AUXILIARY FENCE ... feed with RIGHT hand ... guide with LEFT hand until clear of table.

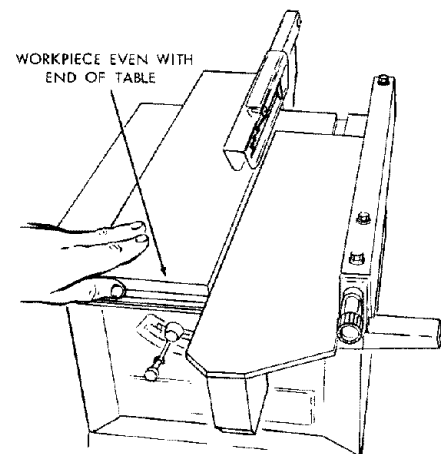


NARROW RIPPING – LONG PIECES – 18" and LONGER

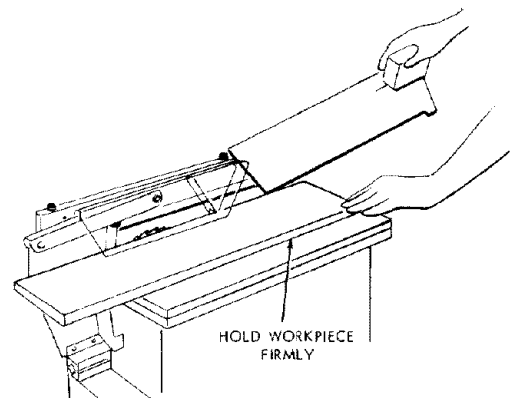
Position the AUXILIARY FENCE with handle against the table to the desired WIDTH of RIP ... lock fence in place.



Hold workpiece against auxiliary fence and feed with left hand until workpiece is about EVEN with END of table ... Stop Feeding.

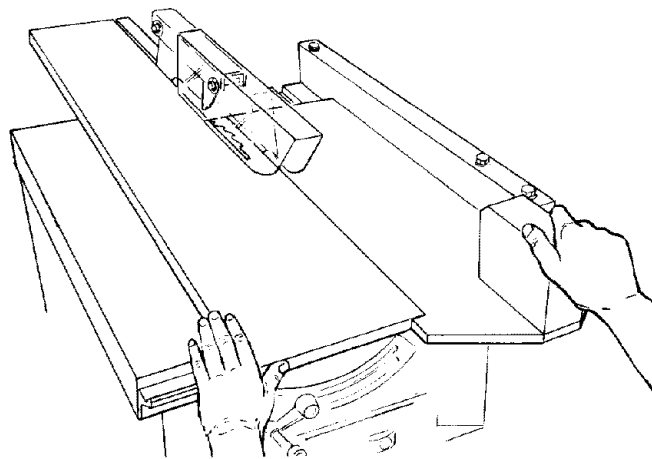


Hold workpiece FIRMLY ... turn AUXILIARY FENCE over ...

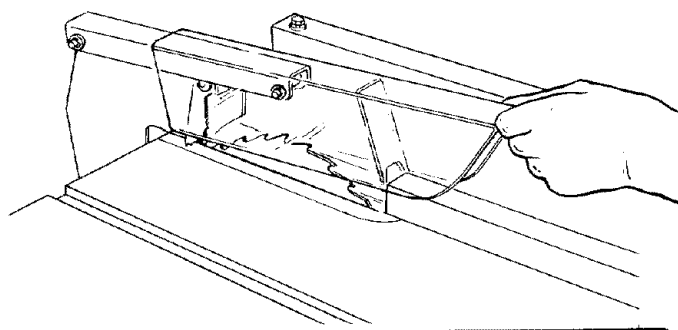
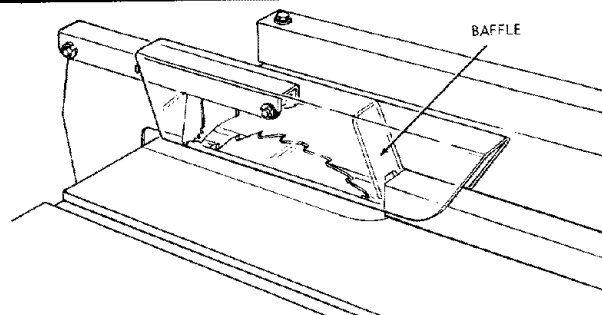


basic saw operation

Hold workpiece against AUXILIARY FENCE ... feed with RIGHT Hand ... guide with LEFT hand until clear of table.



When ripping thin strips that may enter the guard and strike the baffle, CAREFULLY raise guard only enough to clear the workpiece.



RESAWING

RESAWING is known as ripping a piece of wood through its thickness. To RESAW a piece of wood wider than 2-1/8 inch ... it will be necessary to remove the blade guard ... and use an AUXILIARY FENCE which you can make.

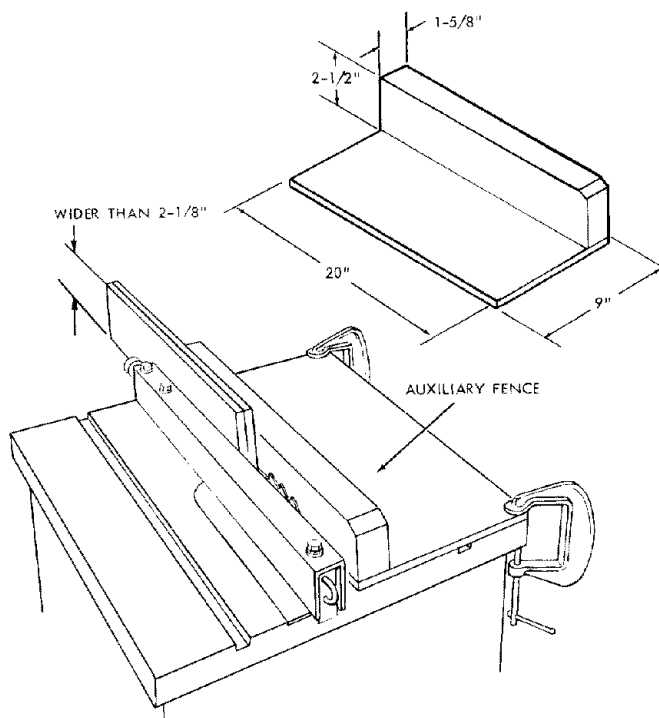
Do not attempt to resaw BOWED or WARPED material.

Use a piece of 3/8 inch plywood 9 in. x 20 in. ... and attach a strip of wood 1-5/8 inches thick x 2-1/2 inches wide.

Clamp it to the table so that the workpiece will SLIDE EASILY but not TILT or MOVE SIDeways without BINDING between the two fences.

WARNING: FOR YOUR OWN SAFETY ...

1. NEVER RESAW FREEHAND (WITHOUT USING RIP FENCE AND AUXILIARY FENCE) BECAUSE THE BLADE COULD BIND IN THE CUT AND CAUSE A KICKBACK.
2. DO NOT "BACK UP" (REVERSE FEEDING) WHILE RESAWING BECAUSE THIS COULD CAUSE A KICKBACK.
3. INSTALL BLADE GUARD IMMEDIATELY UPON COMPLETION OF THE RESAWING OPERATION.

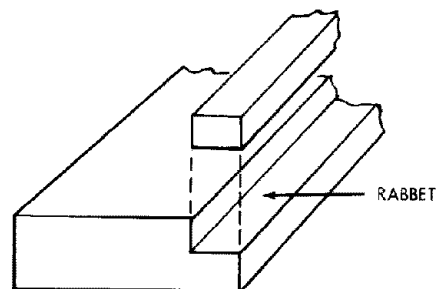


RABBETING

Rabbeting is known as cutting out a section of the corner of a piece of material.

To make a RABBET requires two cuts which do not go all the way through the material. Therefore the blade guard must be removed.

1. Remove blade guard.
2. Adjust rip fence and blade to required dimensions.
3. Make first cut through edge. Follow resawing procedure.
4. Remove auxiliary fence and make second cut.



5. INSTALL BLADE GUARD IMMEDIATELY UPON COMPLETION OF RABBETING OPERATION.

Rabbet cuts can also be made using the dado head or molding head.

adjustments

WARNING: FOR YOUR OWN SAFETY, TURN SWITCH "OFF" AND REMOVE PLUG FROM POWER SOURCE OUTLET BEFORE MAKING ANY ADJUSTMENTS.

MITER GAUGE

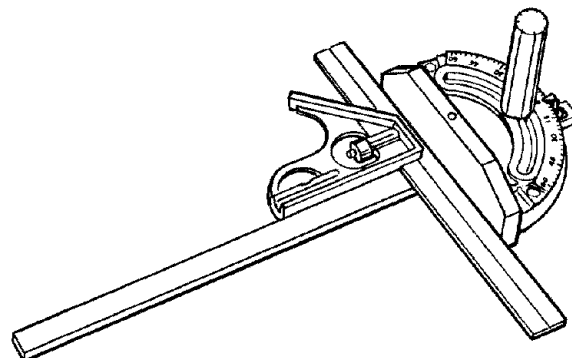
NOTE: The graduations are manufactured to very close tolerances which provide suitable accuracy for average woodworking. In some cases where extreme accuracy is required, when making angle cuts, for example, make a trial cut and then recheck it.

If necessary, the miter gauge head can then be swiveled slightly to compensate and then locked.

The HEAD should be SQUARE (90°) with the bar when the pointer points to "0".

To check for squareness, place an accurate square on the miter gauge. If the head is NOT SQUARE with the bar:

1. Loosen the lock handle.



2. Position the head square with the bar . . . tighten the handle.
3. Loosen the screw and adjust the pointer, so it points to zero.

The swiveling movement of the head can be adjusted by tightening or loosening the set screw located in side of the head using the 1/8 inch setscrew wrench.

HEELING ADJUSTMENT or PARALLELISM OF SAWBLADE TO MITER GAUGE GROOVE.

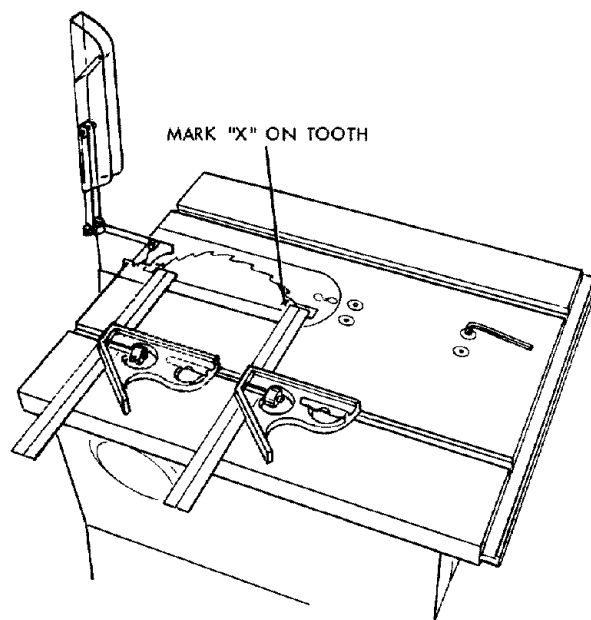
While cutting, the material must move in a straight line PARALLEL to the SAWBLADE . . . therefore both the miter gauge GROOVE and the RIP FENCE must be PARALLEL to the SAWBLADE.

If the sawblade IS NOT parallel to the miter gauge groove, the blade will bind at one end of the cut.

To check for parallelism:

WARNING – FOR YOUR OWN SAFETY, TURN SWITCH "OFF" AND REMOVE PLUG FROM POWER SOURCE OUTLET.

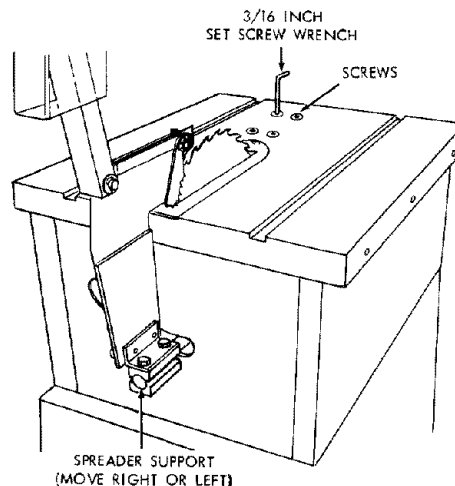
1. Raise blade all the way up . . . raise blade guard.
2. Mark an "X" on one of the teeth which is SET (bent) to the LEFT.
3. Place the head of a combination square in the GROOVE . . . adjust blade of square so that it just touches the tip of the MARKED tooth.
4. Move square to REAR, rotate blade to see if MARKED tooth again touches blade of square.
5. If tooth touches square the same amount at FRONT and REAR . . . miter gage groove IS PARALLEL to BLADE.



adjustments

If tooth does not touch the same amount ... the mechanism underneath must be adjusted to make the blade **PARALLEL** to GROOVE.

1. Loosen four (4) screws (about 1/2 turn) using 3/16 inch setscrew wrench furnished with saw.
2. Move the end of the **SPREADER SUPPORT** to the right or left ... check with square until **MARKED TOOTH** touches square the same amount at front and rear.
3. Tighten four (4) screws.



RIP FENCE

The rip fence should be **PARALLEL** with the sawblade and the **MITER GAGE GROOVES**. **PUSH FENCE HEAD AGAINST TABLE ... MOVE FENCE UNTIL IT IS ALONGSIDE OF GROOVE. IT SHOULD BE PARALLEL TO GROOVE. IF IT IS NOT;**

- a. Loosen the two "hex screws".
- b. Move end of fence so that it is **PARALLEL** with the groove.
- c. Tighten the knob.
- d. Tighten the screws.

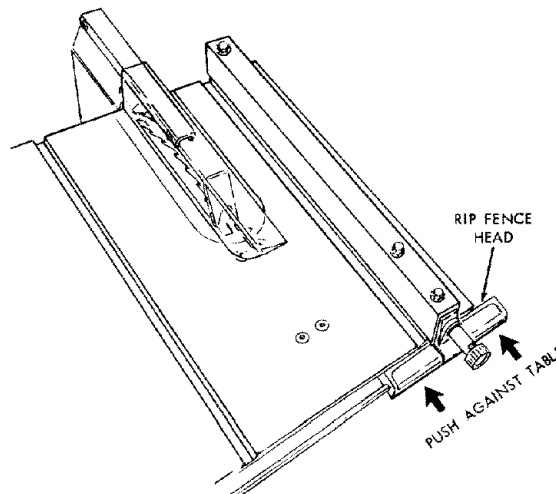


TABLE INSERT

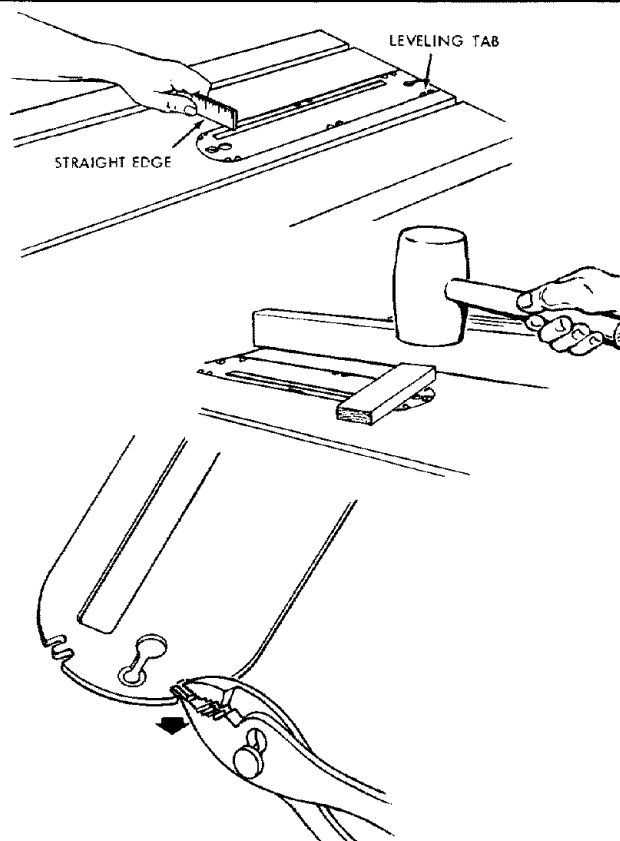
WARNING: FOR YOUR OWN SAFETY, TURN SWITCH "OFF" AND REMOVE PLUG FROM POWER SOURCE OUTLET.

With the insert in place, use a small scale or straight edge to check near each of the six leveling tab positions, in order to determine if the insert is even with saw table surface at all six tab locations.

If the insert is **ABOVE** the table surface, lay a hardwood block on saw table so it extends over the insert and strike block with a mallet at each leveling tab location in succession.

NOTE: Tap at each tab location lightly until level. A heavy blow might bend the tab too much.

If the insert is **BELOW** the table surface, remove the insert and bend the tabs (with pliers) enough to make the insert higher than the table surface. Then re-install the insert and adjust as described above.



BLADE TILT, OR SQUARENESS OF BLADE TO TABLE

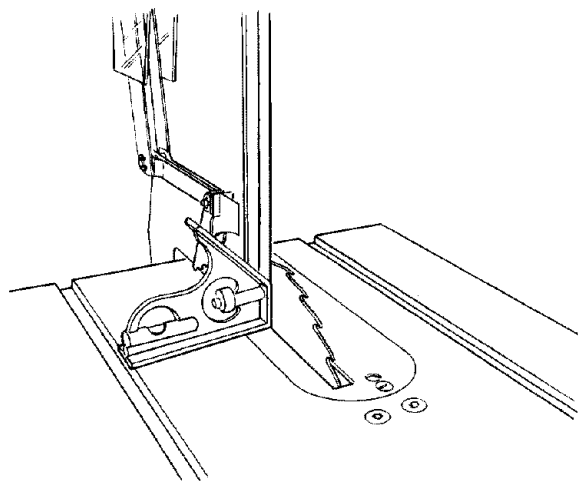
90° (SQUARE) and 45° (BEVEL) STOP COLLARS.

When the bevel pointer is pointing directly to the "0" mark on the bevel scale, the sawblade should make a SQUARE cut 90° to the table.

To check for SQUARENESS:

WARNING: FOR YOUR OWN SAFETY, TURN SWITCH "OFF" AND REMOVE PLUG FROM POWER SOURCE OUTLET.

1. Raise blade all the way UP . . . raise blade guard.
2. TILT blade a few degrees to the LEFT . . . now tilt blade back to the RIGHT as far as it will go.
3. Place an ACCURATE square against blade. Make sure square is not touching the TIP of one of the saw TEETH.

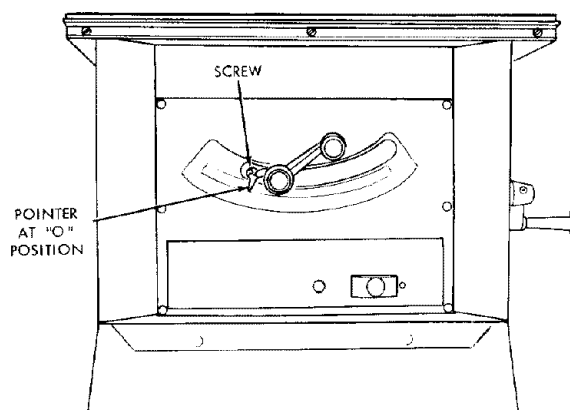


If blade IS SQUARE to table;

- (a) Check pointer

If POINTER DOES NOT point to the "0" mark on the bevel scale;

- (b) Loosen screw and adjust pointer . . . using medium screwdriver.



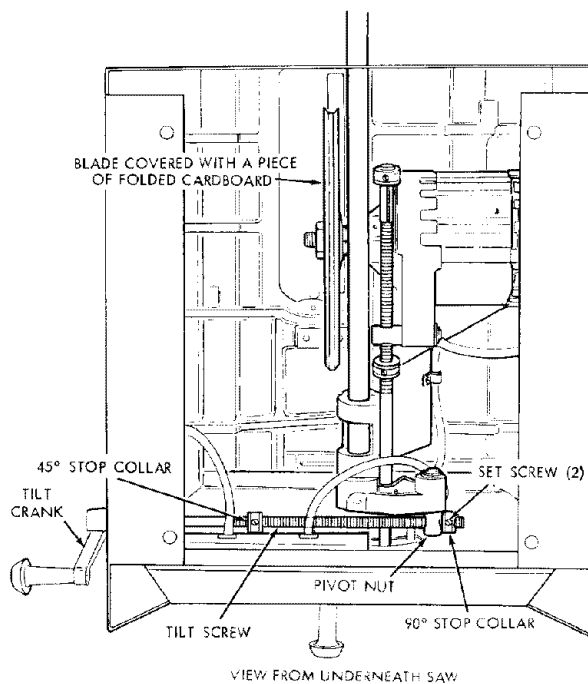
If blade is NOT SQUARE to table . . . the 90° LIMIT STOP must be ADJUSTED.

CAUTION: Cover blade with piece of cardboard to protect your hand.

1. Using a medium size screwdriver, reach UNDERNEATH saw and loosen BOTH setscrews in 90° STOP COLLAR.

NOTE: If you can't reach the setscrews, turn the TILT CRANK slightly.

2. ROTATE the STOP COLLAR moving it all the way to the end of TILT SCREW.
3. TILT blade RIGHT or LEFT . . . checking with your square until blade is square to table.
4. ROTATE STOP COLLAR moving it toward PIVOT NUT until it TOUCHES the PIVOT NUT . . . TIGHTEN the setscrews.
5. Check POINTER. If it DOES NOT point to the "0" mark on the bevel scale . . . loosen screw and adjust pointer.



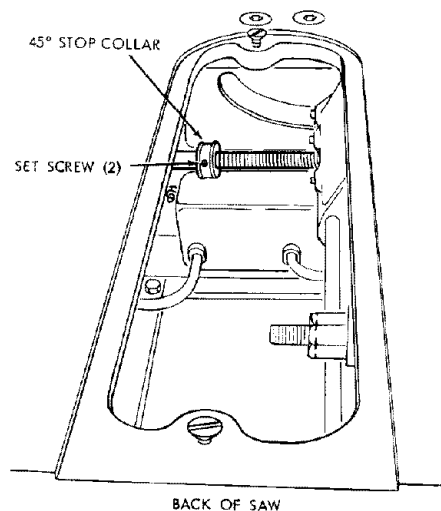
adjustments

TILT blade to LEFT as far as it will go. It will stop when the PIVOT NUT is against the 45° STOP COLLAR ... and the pointer SHOULD POINT to the "45" mark on the bevel scale.

If POINTER DOES NOT POINT to the "45" mark ... the 45° STOP COLLAR must be ADJUSTED.

1. TILT blade all the way to the RIGHT.
2. Remove BLADE GUARD and BLADE.
3. Reach inside of saw from top ... loosen both setscrews in 45° STOP COLLAR.
4. ROTATE collar moving it toward TILT CRANK.
5. TILT blade until POINTER points to "45" mark.
6. Reach UNDERNEATH saw ... rotate COLLAR moving it against PIVOT NUT ... TIGHTEN the setscrews.

NOTE: If you can't reach the setscrews, turn TILT CRANK slightly.

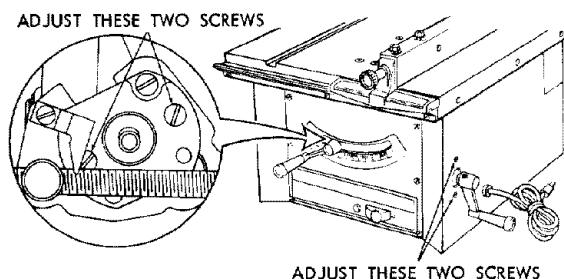


TILT AND ELEVATION CRANKS

The cranks should turn freely without binding. The turning action can be adjusted by tightening or loosening the screws in the bearing retainer.

NOTE: When adjusting the screws on the tilt crank, hold the nut inside using a 3/8 inch wrench.

The screws for the ELEVATION crank can be reached with a screwdriver through the slot on the front of the saw ... no wrench is required.



maintenance

WARNING: FOR YOUR OWN SAFETY, TURN SWITCH "OFF" AND REMOVE PLUG FROM POWER SOURCE OUTLET BEFORE MAINTAINING OR LUBRICATING YOUR SAW.

Do not allow sawdust to accumulate inside the saw.

Frequently blow out any dust that may accumulate inside the saw cabinet and the motor.

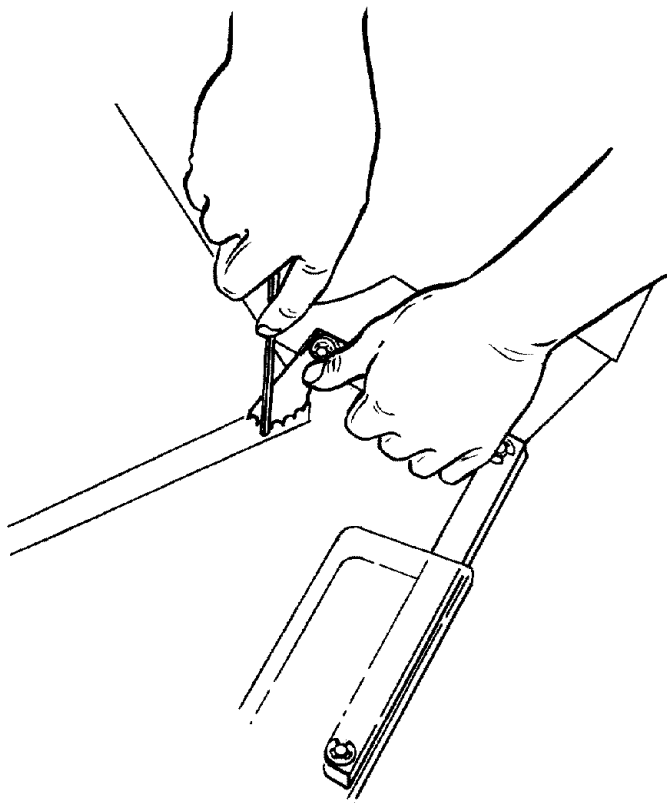
Frequently clean your cutting tools with Craftsman Gum and Pitch remover.

A coat of automobile-type wax applied to the table will help to keep the surface clean and allow workpieces to slide more freely. Treat unplated and unpainted steel parts and surfaces with Sears "Stop Rust."

If the power cord is worn or cut, or damaged in any way, have it replaced immediately.

Make sure the teeth of the ANTI-KICKBACK pawls are always sharp. To sharpen;

1. Remove blade guard.
2. Rotate pawl toward rear of spreader so that teeth are above top of spreader.
3. Hold spreader with left hand and place pawl over corner of workbench.
4. Using a small round file (Smooth Cut) sharpen the teeth.



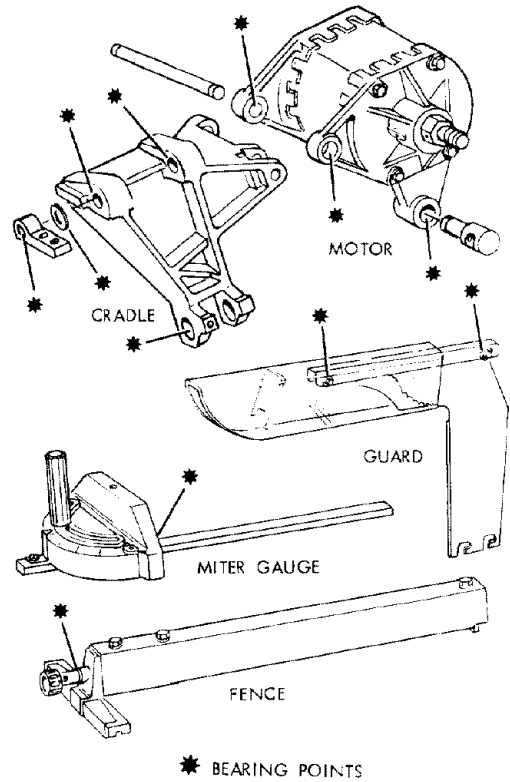
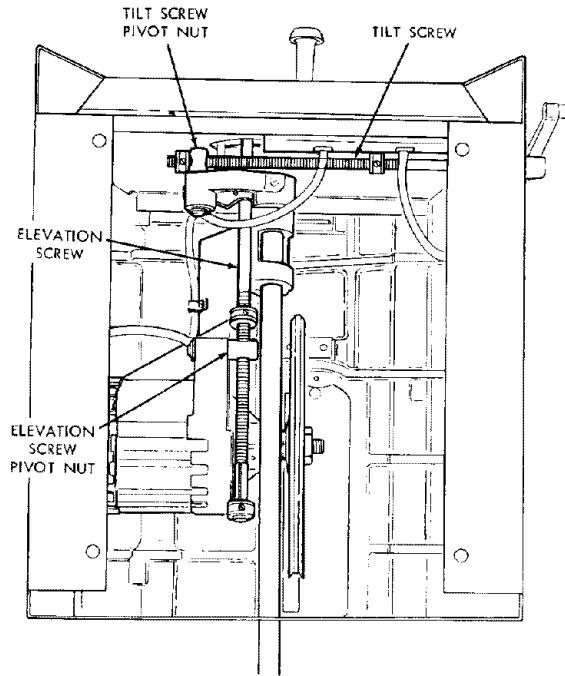
Lubrication

The saw motor bearings have been packed at the factory with proper lubricant and require no additional lubrication.

The following parts should be oiled occasionally with SAE No. 20 or No. 30 engine oil.

1. Tilt screw threads and pivot nut. (First clean with Craftsman gum & pitch remover.

2. Elevation screw threads and pivot nut. (First Clean with Craftsman gum & pitch remover.
3. Cradle bearing points.
4. Bearing points in guard assembly, miter gauge and rip fence.



RECOMMENDED ACCESSORIES

ITEM	CAT. NO.
Steel Base	9-22214
Tool Bench	9-1071
Solid Table Extension	9-24277
Adjustable Table Extension	9-2178
Combination Dado/Molding Insert	9-29934
Casters	9-22201
Sawblades	See Catalog
7-In. Dia. Molding Head	9-3217
6-In. Dia. Dado Head	9-3249
7-In. Dia. Adjustable Dado Head	9-3267
7-In. Dia. Dado Head	9-3257
Blade Stabilizers	9-4952
Miter-Gauge Stop Rods	9-29924
Miter-Gauge Hold-Down Clamp	9-29928
Hold-Down Set	9-3230
Taper Jig	9-3233
Universal Jig	9-3231
Sanding Wheel	9-2274
Work Light	9-2480
Work Light	9-2481

The above recommended accessories are current and were available at the time this manual was printed.

trouble shooting

WARNING: FOR YOUR OWN SAFETY, TURN SWITCH "OFF" AND ALWAYS REMOVE PLUG FROM POWER SOURCE OUTLET BEFORE TROUBLE SHOOTING.

TROUBLE SHOOTING – GENERAL

TROUBLE	PROBABLE CAUSE	REMEDY
Excessive vibration.	1. Blade out of balance.	1. Discard Blade and use a different blade.
Cannot make square cut when crosscutting.	1. Miter gage not adjusted properly.	1. See "Adjustments" section "Miter Gauge".
Cut binds, burns or stalls motor when ripping.	1. Dull blade with improper tooth set. 2. Blade is Heeling. 3. Warped board. 4. Rip fence not properly aligned.	1. Check set and sharpness of blade. 2. See "Adjustments" section, "Heeling Adjustments" 3. Make sure concave or hollow side is facing "down," feed slowly. 4. See "Adjustments" section "Rip Fence".
Cut not true at 90° or 45° positions.	1. Stop collars not properly adjusted.	1. See "Adjustments" section "Blade Tilt".
Tilt crank and elevating crank turn hard.	1. Sawdust on threads of tilt screw or elevating screw.	1. See "Maintenance and Lubrication" section.

TROUBLE SHOOTING – MOTOR

NOTE: Motors used on wood-working tools are particularly susceptible to the accumulation of sawdust and wood chips and should be blown out or "vacuumed" frequently to prevent interference with normal motor ventilation.

TROUBLE	PROBABLE CAUSE	REMEDY
Excessive noise.	1. Motor.	1. Have motor checked by qualified service technician. Repair service is available at your nearest Sears store.

Continued on next page.

TROUBLE SHOOTING – MOTOR (continued)

TROUBLE	PROBABLE CAUSE	REMEDY
<p>Motor fails to develop full power. (Power output of motor decreases rapidly with decrease in voltage at motor terminals. For example, a reduction of 10% in voltage causes a reduction of 19% in maximum power output of which the motor is capable, while a reduction of 20% in voltage causes a reduction of 36% in maximum power output.)</p>	<ol style="list-style-type: none"> 1. Power line overloaded with lights, appliances and other motors. 2. Undersize wires or circuit too long. 3. General overloading of power company facilities. (In some sections of the country, demand for electrical power may exceed the capacity of existing generating and distribution systems.) 4. Incorrect fuses or circuit breaker in power line. 	<ol style="list-style-type: none"> 1. Do not use other appliances or motors when using the saw. 2. Increase wire sizes, or reduce length of wiring. See "Motor Specifications and Electrical Requirements" Section. 3. Request a voltage check from the power company. 4. Install correct fuses or circuit breakers.
<p>Motor starts slowly or fails to come up to full speed.</p>	<ol style="list-style-type: none"> 1. Low voltage will not trip relay. 2. Windings burned out or open. 3. Starting relay not operating. 	<ol style="list-style-type: none"> 1. Request a voltage check from the power company. 2. Have motor repaired or replaced. 3. Have relay replaced.
<p>Motor overheats.</p>	<ol style="list-style-type: none"> 1. Motor overloaded. 2. Improper cooling. (Air circulation restricted through motor due to sawdust, accumulating inside of saw). 	<ol style="list-style-type: none"> 1. Feed work slower into blade. 2. Clean out sawdust to provide normal air circulation through motor. See "Maintenance and Lubrication" Section.
<p>Starting relay in motor will not operate.</p>	<ol style="list-style-type: none"> 1. Burned relay contacts (due to extended hold-in periods caused by low line voltage, etc.) 2. Saw not in upright position. 3. Loose or broken connections. 	<ol style="list-style-type: none"> 1. Have relay replaced and request a voltage check from the power company. 2. Place saw in upright position. 3. Have wiring checked and repaired.
<p>Motor stalls (resulting in blown fuses or tripped circuit breakers).</p>	<ol style="list-style-type: none"> 1. Starting relay not operating. 2. Voltage too low to permit motor to reach operating speed. 3. Fuses or circuit breakers do not have sufficient capacity. 	<ol style="list-style-type: none"> 1. Have relay replaced. 2. Request a voltage check from the power company. 3. Install proper size fuses or circuit breakers.
<p>Frequent opening of fuses or circuit breakers.</p>	<ol style="list-style-type: none"> 1. Motor overloaded. 2. Fuses or circuit breakers do not have sufficient capacity. 3. Starting relay not operating (motor does not reach normal speed). 	<ol style="list-style-type: none"> 1. Feed work slower into blade. 2. Install proper size fuses or circuit breakers. 3. Have relay replaced.

repair parts

PARTS LIST FOR CRAFTSMAN 9-INCH MOTORIZED TABLE SAW
MODEL NO. 113.24140

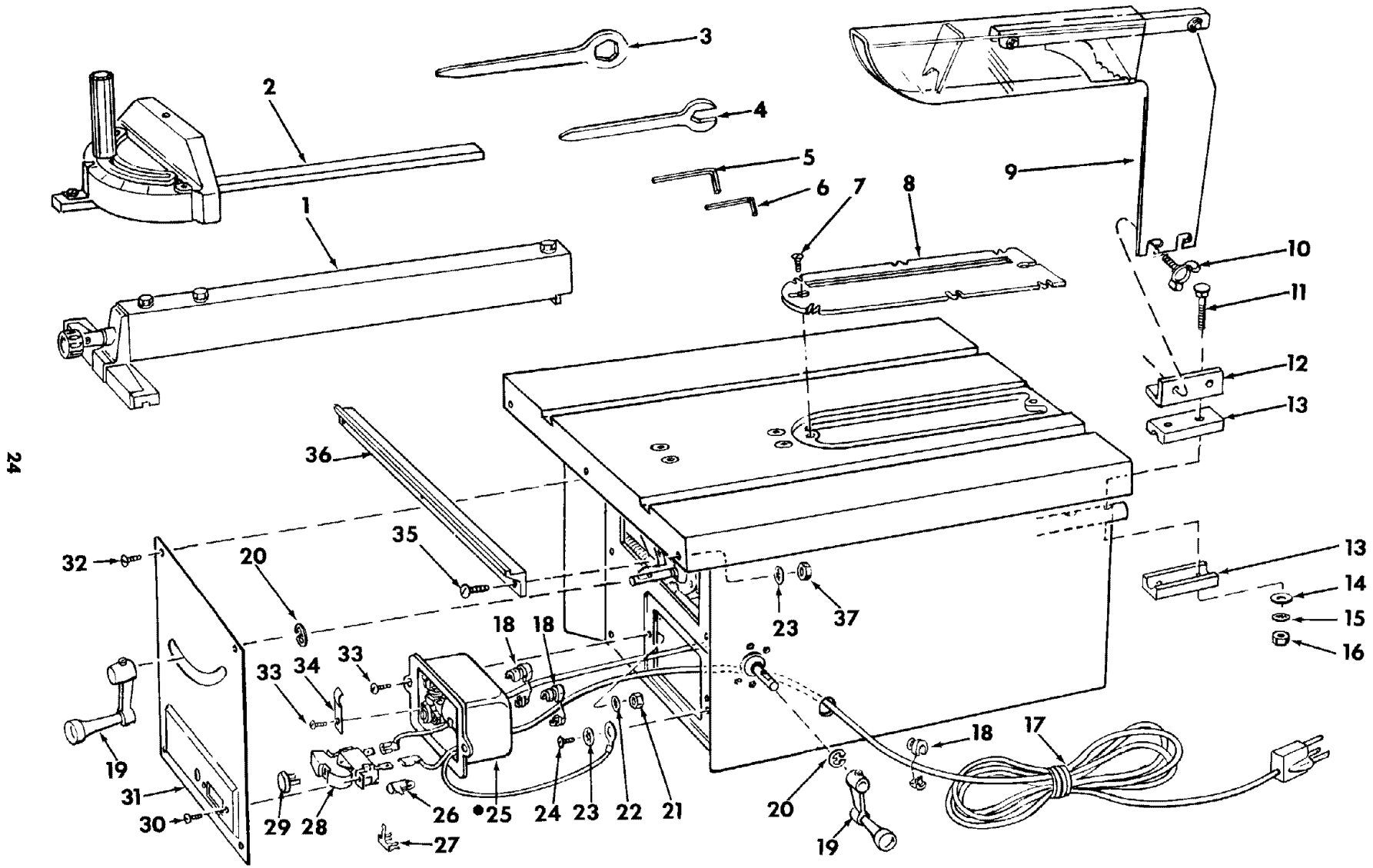


Figure 1

All parts illustrated in Figures 1 through 5 and listed under part numbers may be ordered through any Sears retail mail order store. Order parts by mail from the catalog order store which serves the territory in which you live. In several instances, part numbers are listed for COMPLETE ASSEMBLIES. All parts are shipped prepaid within the limits of the continental United States.

WHEN ORDERING REPAIR PARTS, ALWAYS GIVE THE FOLLOWING INFORMATION, AS SHOWN ON THIS LIST:

1. THE PART NUMBER
2. THE PART NAME
3. THE MODEL NUMBER – 113.24140
4. THE NAME OF ITEM – 9-INCH MOTORIZED TABLE SAW

Always order by Part Number – not by Key Number

FIGURE 1

Key No.	Part No.	Description
1	62418	Fence Assembly, Rip (See Figure 3)
2	62070	Gage Assembly, Miter (See Figure 4)
3	3540	Wrench, Arbor
4	63062	Wrench, Shaft
5	37911	Wrench, Hex "L" 3/16
6	30505	Wrench, Hex "L" 1/8
7	119264	Screw, Flat Hd. 10-32 x 5/8
8	62447	Insert
9	62417	Guard Assy. (See Figure 5)
10	37858	Screw, Wing
11	109093	*Carriage Bolt, 1/4-20 x 1-3/4
12	62448	Bracket
13	62449	Clamp, Spreader
14	60089	*Washer, Plain, 17/64 x 7/16 x 1/32
15	138167	*Lockwasher, Internal Tooth 1/4
16	115120	*Nut, Hex, 1/4-20 x 7/16 x 3/16
17	62441	Cord with Plug
18	37818	Relief, Strain
19	62333	Crank Assembly, w/Set Screw
20	60045	Ring, Retaining
21	115998	*Nut, Hex 8-32

Key No.	Part No.	Description
22	138166	*Lockwasher, Internal Tooth No.8
23	115545	*Lockwasher, Internal Tooth No.10
24	448033	*Screw, Pan Hd.Type 23, 10-32 x 3/8
25	62430	• Motor and Control Box (See Figure 2)
26	63467	Cap – Flag Term
27	62267	Clip, Capacitor
28	62442	Switch, Locking
29	60256	Key, Switch
30	448001	*Screw, Type 23, Pan Sl. 6-32 x 1/4
31	62443	Panel, Front
32	9426307	*Screw, Pan Hd., Type B, No. 8 x 1/2
33	448013	*Screw, Pan Hd., 8-32 x 1/2
34	62452	Clamp, Relay
35	436753	*Screw, Pan Hd., 10-32 x 3/4
36	62444	Bar, Fence Guide
37	115999	*Nut, Hex 10-32
–	62455	Bag of Loose Parts (not illustrated)
–	62446	Owners Manual (not illustrated)

- * Standard Hardware Item – May be Purchased Locally.
- Any attempt to repair this motor may create a **HAZARD** unless repair is done by a qualified service technician. Repair service is available at your nearest Sears Store.

PARTS LIST FOR CRAFTSMAN 9-INCH MOTORIZED TABLE SAW
MODEL NO. 113.24140

repair parts

PARTS LIST FOR CRAFTSMAN 9-INCH MOTORIZED TABLE SAW
MODEL NO. 113.24140

ANY ATTEMPT TO REPAIR THIS MOTOR
MAY CREATE A HAZARD UNLESS REPAIR
IS DONE BY QUALIFIED SERVICE TECHNICIAN.
REPAIR SERVICE IS AVAILABLE AT YOUR
NEAREST SEARS STORE.

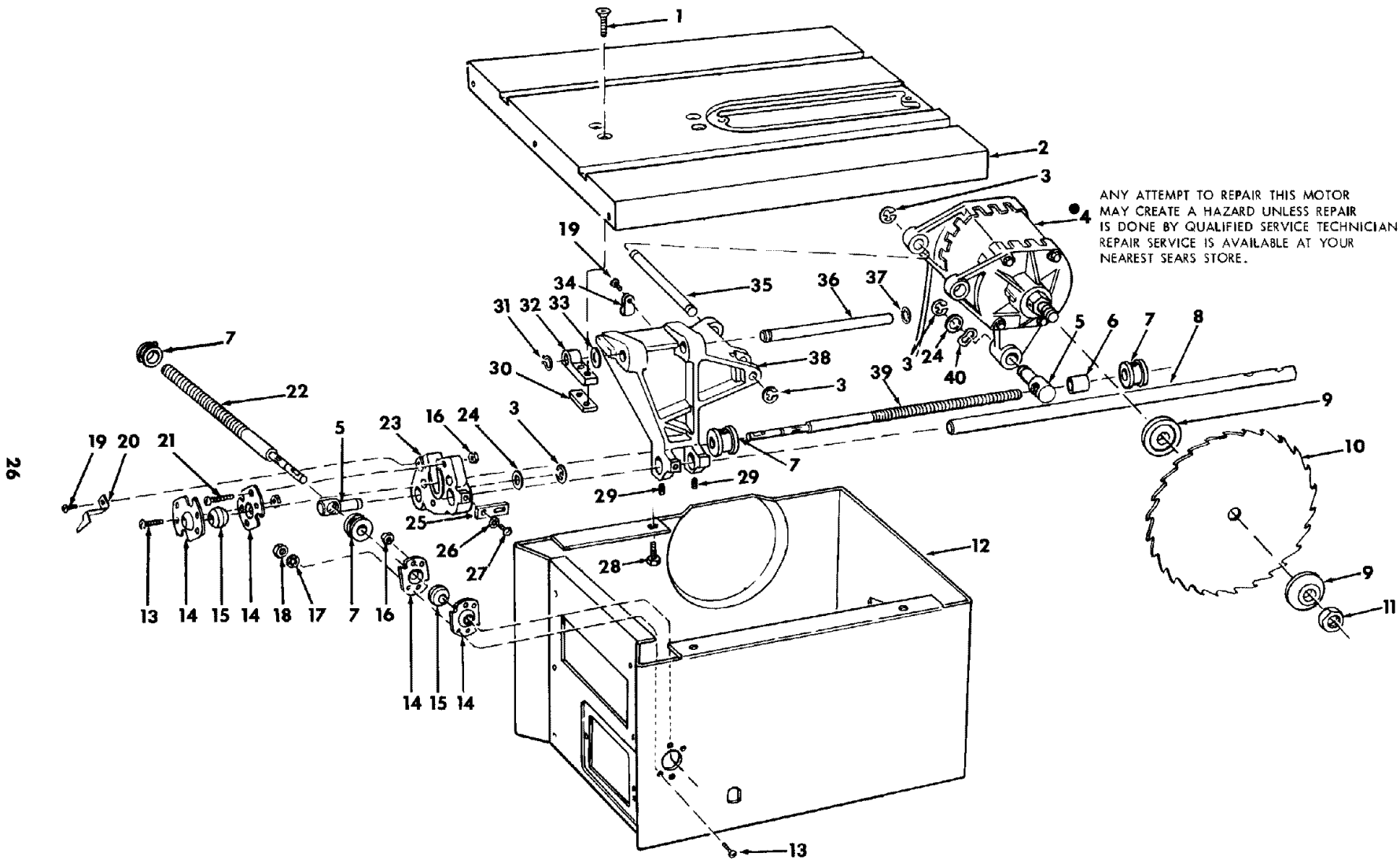


Figure 2

FIGURE 2

Key No.	Part No.	Description
1	805297-1	*Screw, Socket Flat Hd. 5/16-18 x 1-1/4
2	62425	Table, Saw
3	60302	Ring, Retaining 7/16
4	62430	• Motor and Control Box
5	62434	Nut, Pivot
6	60303	Spacer
7	37900	Collar, Stop
8	62431	Support, Spreader
9	62445	Collar
10	60169	† Blade
11	6362	Nut, Arbor
12	62440	Base
13	448035	*Screw, Pan Hd. 10-32 x 1/2
14	62437	Retainer, Bearing
15	62306	Bearing
16	60012	Nut, Lock
17	115545	*Lockwasher, Internal Tooth No. 10
18	115999	*Nut, Hex 10-32
19	448011	*Screw, Pan Hd., Type 23 8-32 x 3/8
20	62439	Indicator, Bevel
21	436753	*Screw, Pan Hd., 10-32 x 3/4

Key No.	Part No.	Description
22	62438	Screw, Tilt
23	62432	Support, Bearing
24	60031	Washer, .440 x 11/16 x 1/32
25	62433	Clamp
26	138167	*Lockwasher, Internal Tooth 1/4
27	443507	*Screw, Mach., Hex Hd. 1/4-20
28	423350	*Screw, Sems Ind. Hex Hd./Ext. Lockwasher
29	102570	*Screw, Hex Soc. Cup Pt. Set, 1/4-20 x 3/8
30	62436	Nut
31	60304	Ring, Retaining 3/8
32	62427	Hanger
33	62435	Washer, Thrust
34	30613	Clamp, Cord
35	62429	Rod, Motor
36	62428	Rod, Cradle
37	60301	Ring, Retaining 3/8
38	62426	Cradle
39	62456	Screw, Elevation
40	62458	Washer, Spring

- * Standard Hardware Item – May be Purchased Locally.
- Any attempt to repair this motor may create a **HAZARD** unless repair is done by a qualified service technician. Repair service is available at your nearest Sears Store.
- † Stock Item – May be secured through the hardware departments of most Sears or Simpson-Sears Retail Stores or Catalog Order Houses.

PARTS LIST FOR CRAFTSMAN 9-INCH MOTORIZED TABLE SAW
MODEL NO. 113.24140

repair parts

PARTS LIST FOR CRAFTSMAN 9-INCH MOTORIZED TABLE SAW MODEL NO. 113.24140

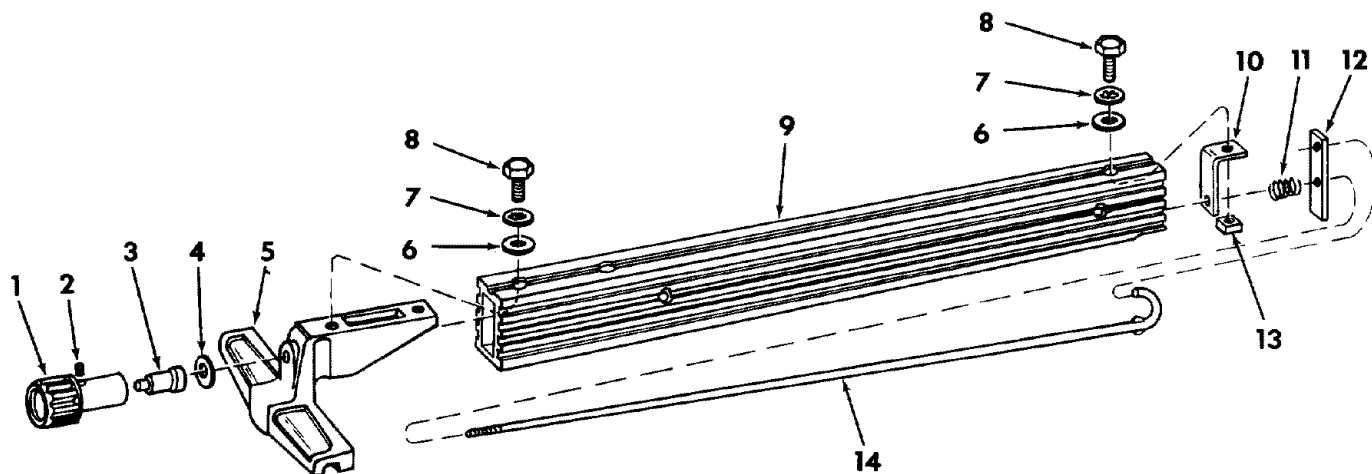


FIGURE 3 – 62418 RIP FENCE ASSEMBLY

Key No.	Part No.	Description
—	62418	Fence Assembly Rip
1	62132	Knob, Fence Adjusting
2	60067	*Screw, Hex Soc.Cup Pt. Set, 1/4-20 x 1/4
3	62424	Insert
4	63011	Washer, Knob Clamp
5	62420	Head, Fence
6	60050	*Washer, .319 x 5/8 x 1/32
7	131201	Lockwasher, Internal Tooth 5/16
8	60078	*Screw, Mach., Hex Hd., 5/16-18 x 1/2
9	62419	Channel, Fence
10	62421	Bracket, Fence
11	62131	Spring, Fence Adj.Shaft
12	62480	Lock, Fence
13	120399	*Nut, Square, 5/16-18 x 9/16 x 7/32
14	62422	Rod, Fence Lock

* Standard Hardware Item – May be Purchased Locally.

**PARTS LIST FOR CRAFTSMAN 9-INCH MOTORIZED TABLE SAW
MODEL NO. 113.24140**

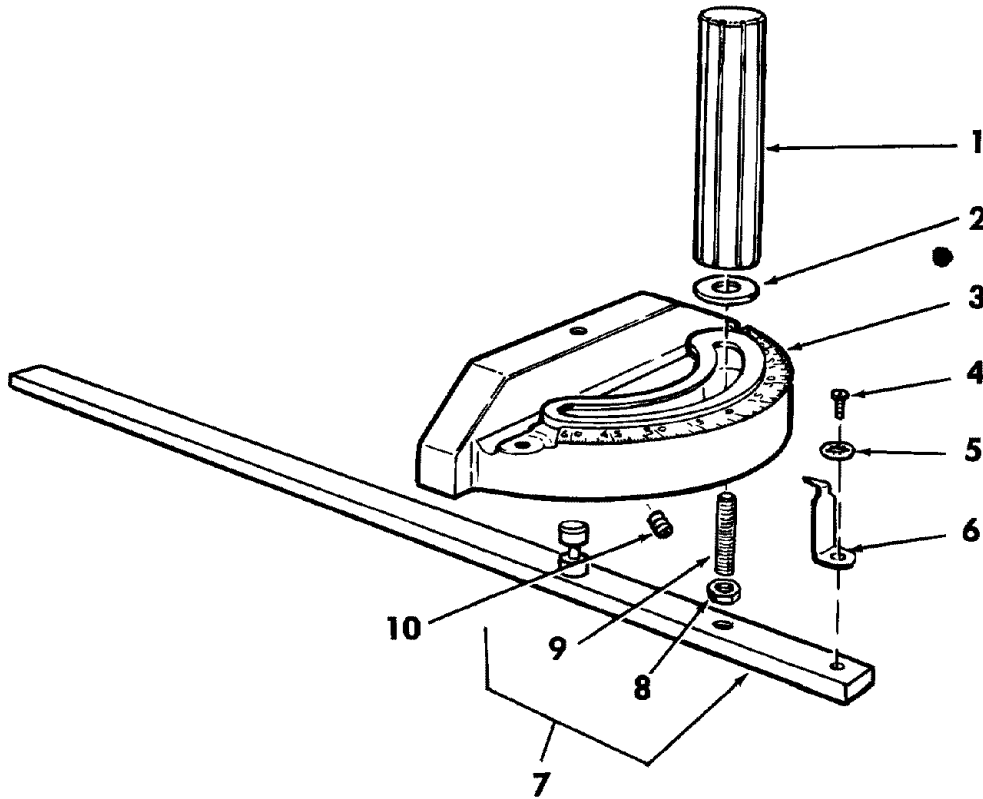


FIGURE 4 – 62070 MITER GAUGE ASSEMBLY

Key No.	Part No.	Description
—	62070	†Gauge Assembly, Miter
1	62068	Handle, Miter Gauge
2	60024	*Washer, Plain, .320 x 1 x 1/16"
3	62014	Gauge, Miter
4	9404365	*Screw, Mach., No. 8-32 x 5/16", Pan Hd. Slotted
5	138166	Lockwasher, Internal Tooth No. 8
6	62042	Indicator
7	62252	Rod Assembly, Miter Gauge Includes Key Nos. 8 & 9
8	124824	*Nut, Hex--5/16-18 x 1/2 x 3/16"
9	62225	Stud, Clamp
10	139325	*Screw, Set, 1/4-20 x 3/8", Hex Socket Hd., Cone Pt.

* Standard Hardware Item – May be Purchased Locally.

† Stock Item – May be secured through the hardware departments of most Sears or Simpson-Sears Retail Stores or Catalog Order Houses.

repair parts

PARTS LIST FOR CRAFTSMAN 9-INCH MOTORIZED TABLE SAW MODEL NO. 113.24140

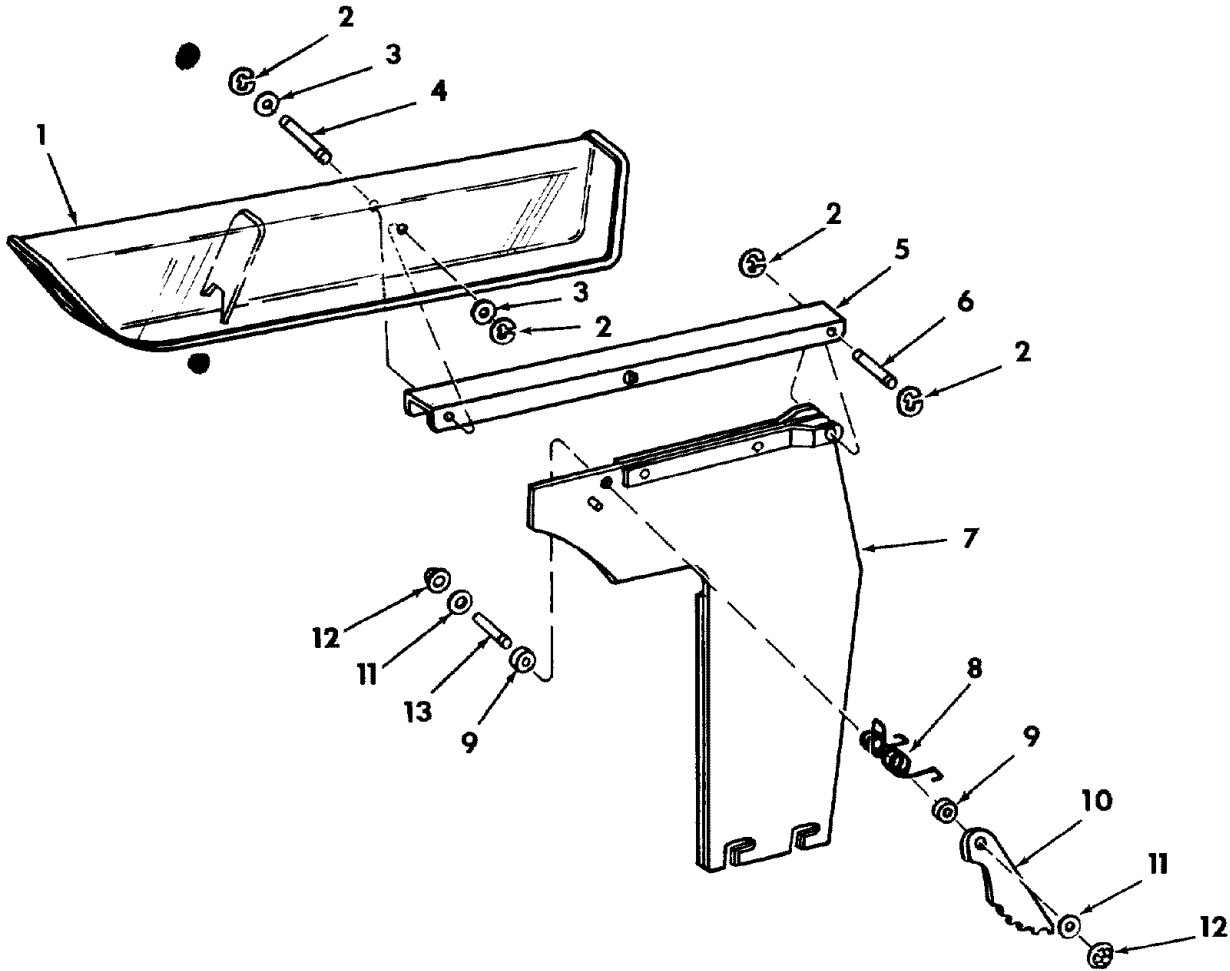


FIGURE 5 – 62417 BLADE GUARD ASSEMBLY

Key No.	Part No.	Description
—	62417	Guard Assembly
1	62415	Guard
2	60004	Ring, Retaining 1/4
3	60128	*Washer, 17/64 x 5/8 x 1/32
4	62416	Pin, Guard
5	62413	Link, Guard
6	62414	Pin, Link
7	62409	Spreader
8	62411	Spring, Pawl
9	62136	Spacer, Pawl
10	62412	Pawl
11	9414920	*Washer, 17/64 x 5/8 x 1/16
12	60208	Nut, Push
13	62410	Pin

* Standard Hardware Item — May be Purchased Locally.

Sears

*owners
manual*

**MODEL NO.
113.24140**

**HOW TO ORDER
REPAIR PARTS**

CRAFTSMAN

9-INCH MOTORIZED TABLE SAW

The Model Number will be found on a plate attached to your saw, at the left-hand side of the base. Always mention the Model Number when requesting service or repair parts for your Table Saw.

All parts listed herein may be ordered from Sears, Roebuck and Co. or from Simpsons-Sears Limited, c/o Repair Parts Dept. 98. When ordering parts by mail, selling prices will be furnished on request, or parts will be shipped at current selling prices and you will be billed accordingly.

WHEN ORDERING REPAIR PARTS, ALWAYS GIVE THE FOLLOWING INFORMATION:

- | | |
|---------------------|--|
| 1. PART NUMBER | 3. MODEL NUMBER
113.24140 |
| 2. PART DESCRIPTION | 4. NAME OF ITEM –
9 INCH MOTORIZED
TABLE SAW |

Your Sears merchandise takes on added value when you discover that Sears has over 2000 Service Units throughout the country. Each is staffed by Sears-trained, professional technicians using Sears approved parts and methods.

SEARS, ROEBUCK AND CO., Chicago, IL 60684 U.S.A. and SIMPSONS-SEARS LIMITED, Toronto