

Dreame Cordless Vacuum Cleaner User Manual

Manufactured by: Dreame Trading (Tianjin) Co., Ltd.
For further information, please visit www.dreame-technology.com



Made in China

dreame



Dreame Cordless Vacuum Cleaner User Manual	01
Merci d'avoir choisi L'aspirateur Sans Fil Dreame	17
Dreame Bedienungsanleitung für kabellosenStaubsauger	33
Приятного пользования! Беспроводной пылесос Dreame	49
Benvenuto in Dreame - aspirapolvere senza fili	65
Manual de usuario de la aspiradora inalámbrica Dreame	81
שואב אבק נטען Dreame מדריך למשתמש	97
ترحيب المستخدمين Dreame مكنسة كهربائية لاسلكية	115

Safety Instructions

To prevent accidents including electric shock or fire caused by improper use, please read this manual carefully before use and retain it for future reference.

Warning

This product can be used by children aged from 8 years and above and persons with physical, sensory, intellectual deficiencies, or limited experience or knowledge under the supervision of a parent or guardian to ensure safe operation and to avoid any risk of hazards. Cleaning and maintenance shall not be made by children without supervision.

The vacuum is not a toy. Children shall not play with or operate this product. Please exercise caution when using the vacuum near children. Do not allow children to clean or maintain the vacuum unless supervised by a parent or guardian.

Do not use the vacuum outdoors or on wet surfaces. Only use the vacuum on dry indoor surfaces. Do not touch the plug or any part of the vacuum with wet hands.

To reduce the risk of fire, explosion, or injury, check to make sure the lithium battery and charging adapter are undamaged before use. Do not use the vacuum if either the lithium battery or charger is damaged.

The soft roller brushbar, battery, metal connector pin, and vacuum are electrically conductive and should not be immersed in water or other liquid. Make sure to dry all filters after cleaning.

To prevent injury caused by moving parts, turn off the vacuum before cleaning the soft roller brushbar. The soft roller brushbar, dust compartment, and filter must all be properly installed before using the vacuum.

Only use the original charging adapter. Never use an unoriginal adapter, as this may cause the lithium battery to catch fire.

Do not use the vacuum to pick up flammable or combustible liquids, such as gasoline, or bleach, ammonia, drain cleaners or other liquids.

Do not use the vacuum to pick up drywall particles, ashes like fireplace ash, or smoking or burning materials such as coal, cigarette butts or matches.

Do not use the vacuum to pick up sharp or hard objects, such as glass, nails, screws, or coins, which may damage the machine.

Keep hair, loose clothing, fingers and other parts of the body away from the vacuum's openings and moving parts. Do not point the hose, wand or tools at your eyes or ears or put them in your mouth.

Do not put any object into the vacuum's openings. Do not use the vacuum with any opening blocked. Keep free of dust, lint, hair, or other items which may reduce airflow.

Do not rest the vacuum against a chair, table, or other unstable surface, as this may cause damage to the machine or personal injury. If the vacuum becomes damaged from being knocked over or is otherwise malfunctioning, please contact our authorized service department. Never attempt to disassemble the device on your own.

All instructions in the manual for recharging the battery must be strictly followed. Failure to properly charge the battery within the specified temperature range could damage the battery.

Only use accessories and replacement parts that are approved by Dreame.

Do not use the vacuum without the clear dust compartment and filter in place.

Make sure the vacuum is unplugged when not used for extended periods as well as prior to performing any maintenance or repairs.

Please be extra careful when using the vacuum to clean stairs.

Do not install, charge, or use this product outdoors, in bathrooms, or around a pool.

Fire Hazard Warning: Do not apply any type of fragrance to the vacuum's filter. These types of products are known to contain flammable chemicals which may cause the vacuum to catch fire.

This product is designed for home use only.

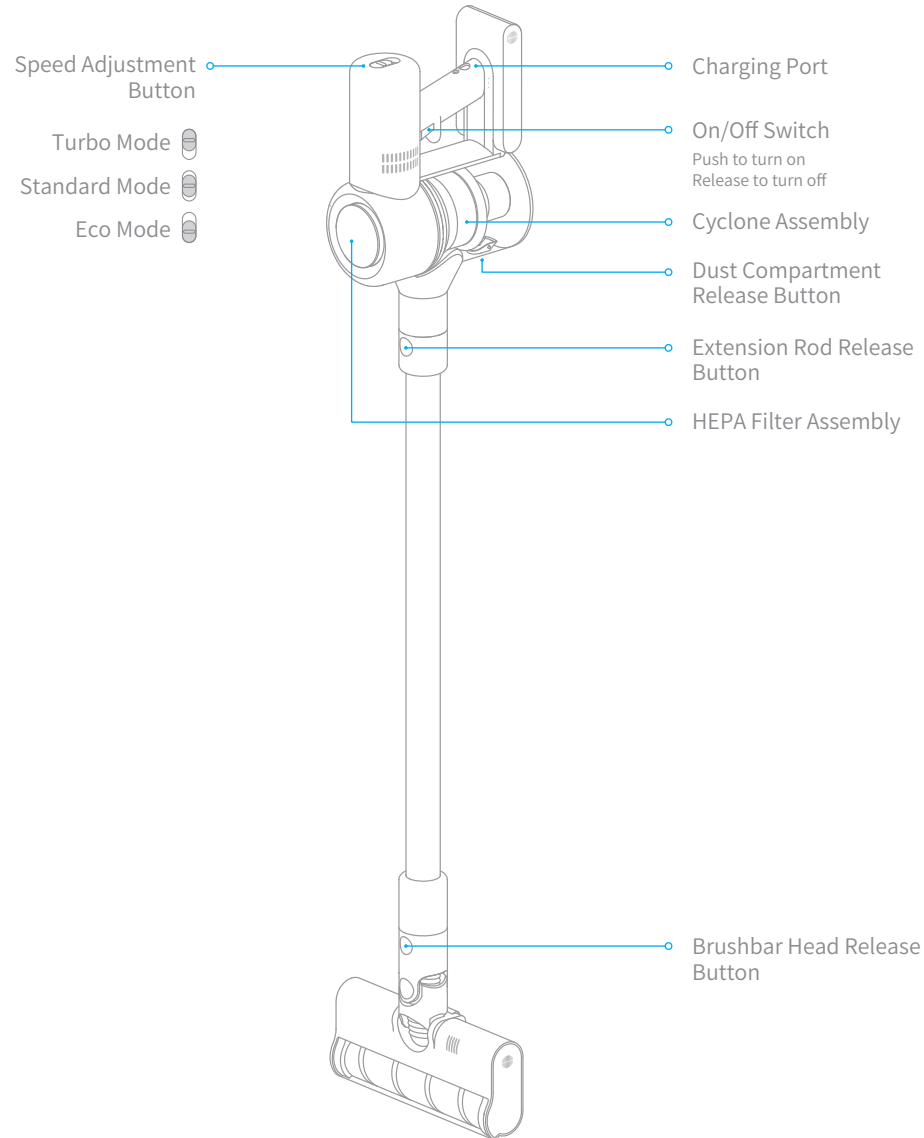
We Dreame Trading (Tianjin) Co., Ltd., hereby, declares that this equipment is in compliance with the applicable Directives and European Norms, and amendments. The full text of the EU declaration of conformity is available at the following internet address: www.dreame-technology.com



means detachable supply unit

Product Overview

Part Names

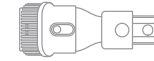


Product Overview

Accessories



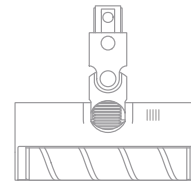
2-in-1 Crevice Nozzle



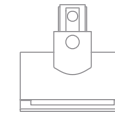
2-in-1 Brush Nozzle



Power Adapter



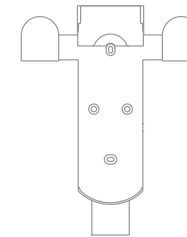
Soft Roller Nozzle



Mini-Motorized Nozzle



Extension Rod

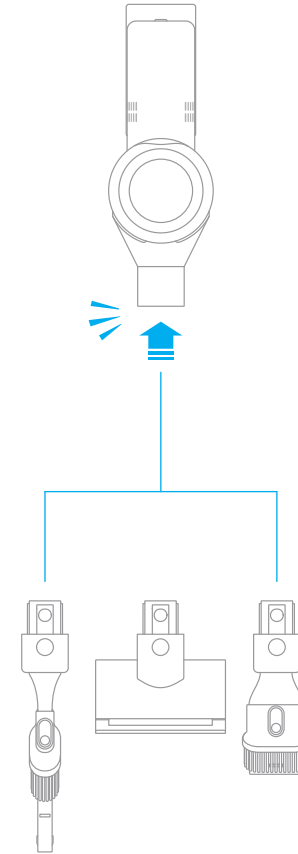
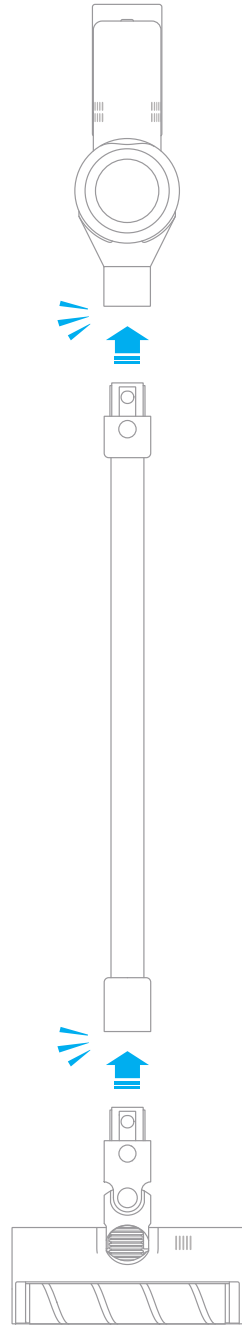


2-in-1 Charging & Storage Mount
(including screws ×2, wall plugs ×2)

Installation

Vacuum and Accessories Installation Diagram

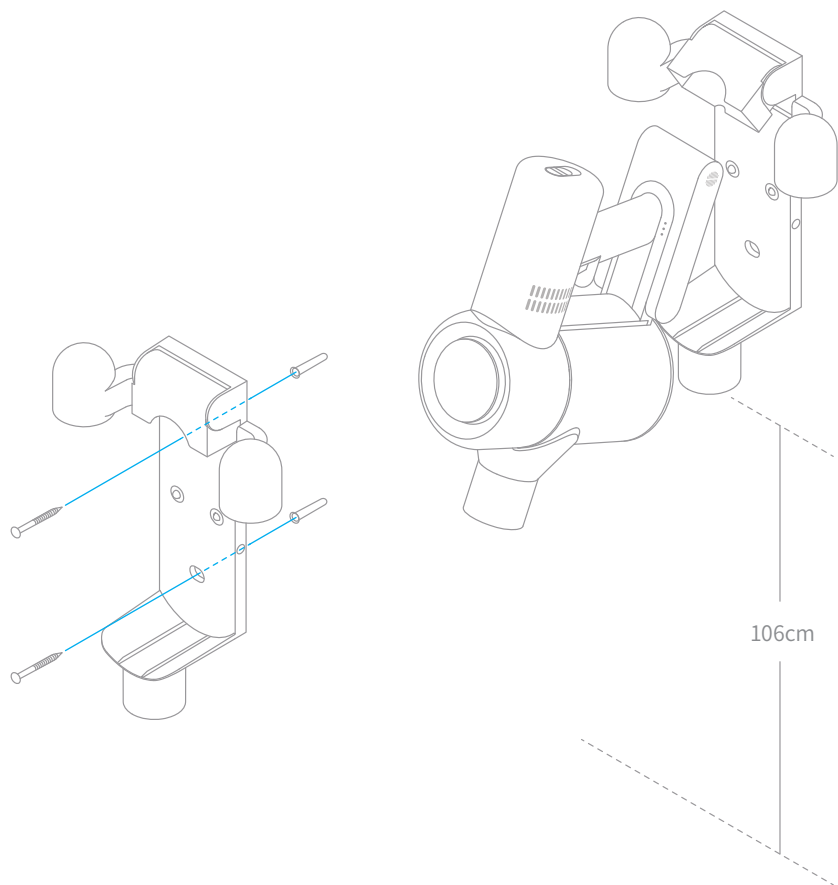
 Insert till it clicks into place



Installation

Installing the 2-in-1 Charging & Storage Mount

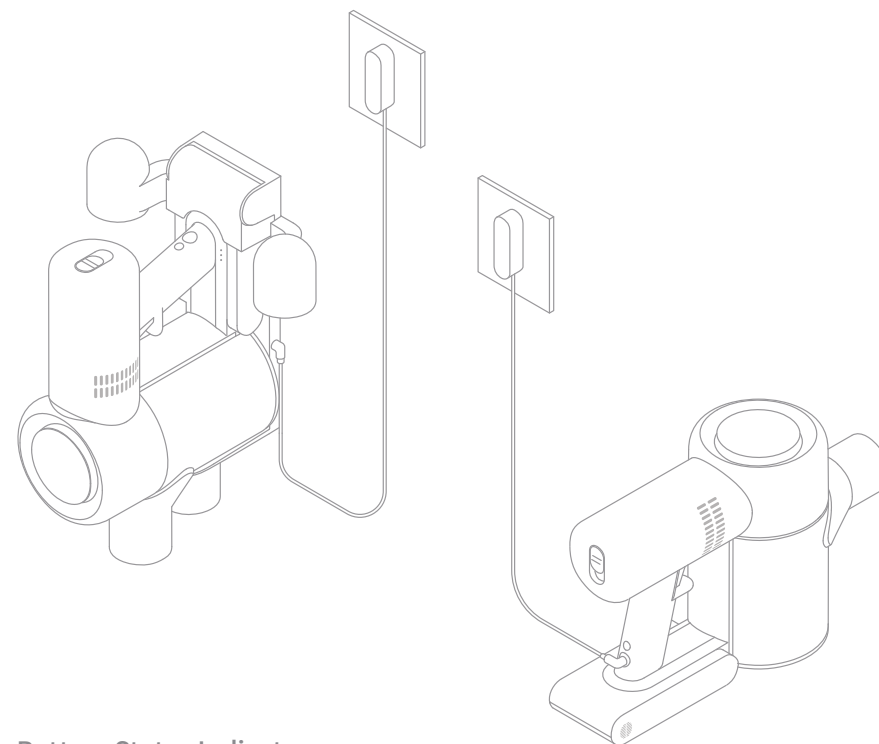
1. The 2-in-1 charging & storage mount is an optional accessory, you can install it based on your requirements.
2. The mount should be installed in a cool, dry place near a power outlet, out of direct sunlight, and away from moisture-prone areas, such as a kitchen.
3. Securely install the mount using mounting hardware suitable for the type of wall selected. Make sure the installation area is clear of any pipes such as gas or water lines, and air ducts, electric wires and cables, or drainage lines.
4. It is recommended to hire a professional to install the mount and to use protective clothing, goggles, and other protective equipment where necessary.
5. Using an electric drill, mark and drill two 8 mm diameter holes into the wall where desired to a depth of about 30 mm. Insert the wall plugs into the holes, position the mount, then fasten it to the wall with the included screws.



How to Use

Note:

1. Fully charge the vacuum before using it for the first time. This will take about 4 hours.
2. Vacuum cannot be used while charging.
3. Vacuuming at turbo mode for a prolonged period will cause the battery to heat up, which increases charging time. Allow the vacuum to cool down for 30 minutes before charging it.



Battery Status Indicator

● Off ☀-Blinking ○ On

- ● ☀ Low battery
- ● ☀ Half battery
- ☀ ● ● Nearly full
- ○ ○ Fully charged
- ● ● Fully charged

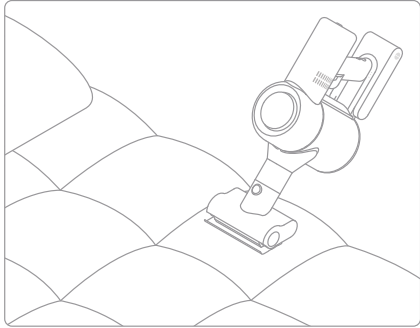
Note: Once the vacuum is fully charged, the indicator will turn off after 5 minutes, and the vacuum will enter the energy-saving mode.

Please read the Safety Instructions in this user manual before proceeding.

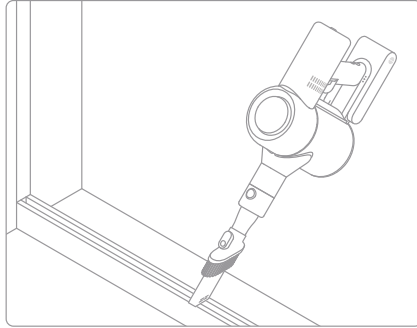
How to Use

Using Different Attachments

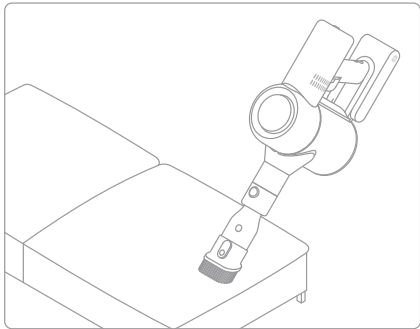
Mini-Motorized Nozzle: Strong vibrations yield deep cleaning action for removing mites and dust from mattresses and fabric surfaces.



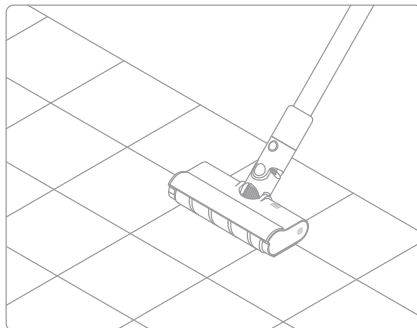
2-in-1 Crevice Nozzle: Suitable for vacuuming cracks, corners of doors and windows, stairs, and other hard-to-reach places.



2-in-1 Brush Nozzle: Suitable for vacuuming up dust and mites on beds, sofas, and other furniture fabric.



Soft Roller Nozzle: Suitable for vacuuming the hard surfaces such as floor, tile, marble, as well as for vacuuming up larger pieces of dirt and debris. The Soft Roller Nozzle can also be directly attached to the vacuum.



Note:

1. If any rotating part becomes stuck, the vacuum may turn off automatically. Remove any trapped foreign objects, then resume use.
2. The vacuum will automatically shut off if its motor enters overheat protection mode. Wait until the motor's temperature returns to normal before resuming use.

Care & Maintenance

Tips:

1. Always use genuine parts to keep your warranty from being voided.
2. If the filter or nozzle becomes clogged, the vacuum will stop working shortly after being turned on. To restore functionality, clean the filter or nozzle.
3. If the vacuum will not be used for an extended period, fully charge it, unplug its power adapter, and store it in a cool, low-humidity environment away from direct sunlight. To avoid over-discharging the battery, recharge the vacuum at least once every 3 months.

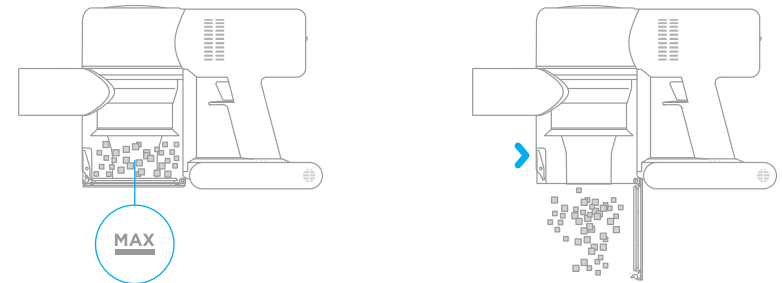
Cleaning the Vacuum

Wipe the vacuum with a soft dry cloth.

Cleaning the Dust Compartment

Before cleaning the dust compartment, disconnect the adapter and keep the vacuum's power switch in the off position. The vacuum's cleaning ability will be reduced if the dust compartment is filled to the "MAX" mark. To regain performance, empty the compartment.

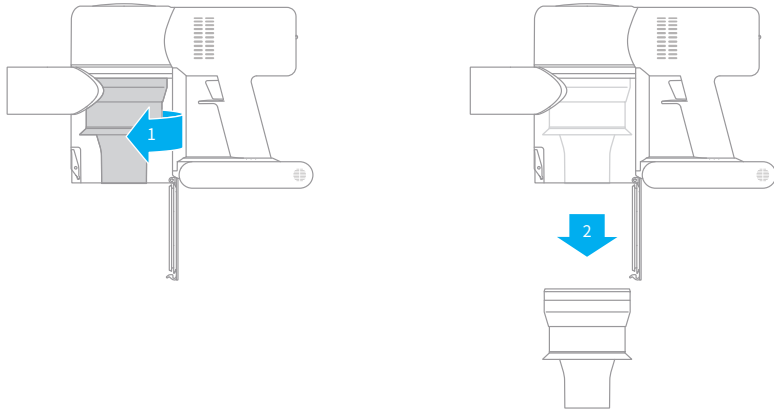
To empty the dust compartment: Press the release button on the bottom of the compartment, then empty its contents.



Care & Maintenance

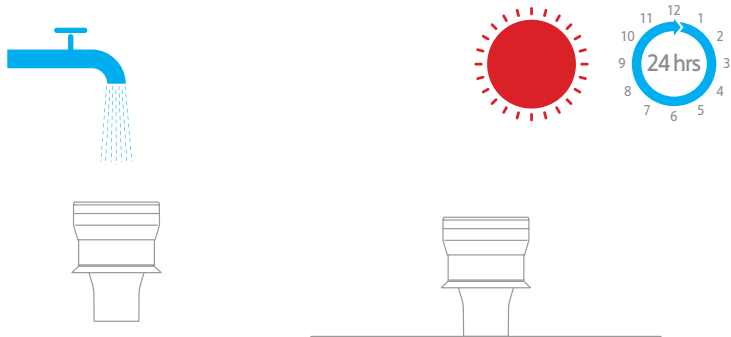
Cleaning the Cyclone Assembly

1. Rotate the cyclone assembly in the direction illustrated to unlock it, then remove the cyclone assembly.



2. Rinse the cyclone assembly with water until it is clean. To thoroughly dry the cyclone assembly, keep it in a ventilated or cool place for at least 24 hours. Caution: Do not clean the cyclone assembly in a dishwasher or washing machine, and do not attempt to dry it in a tumble dryer, oven, microwave, or near an open fire.

3. Once it is dry, reinstall the cyclone assembly.

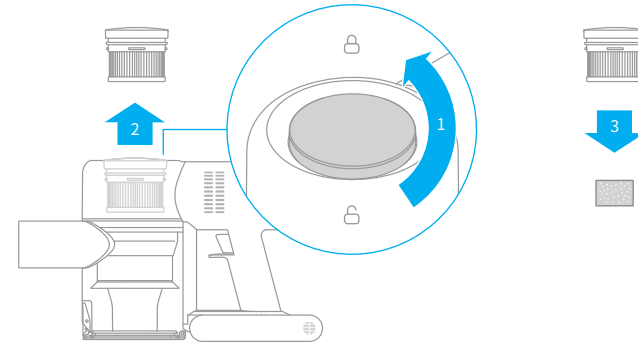


Care & Maintenance

Cleaning the HEPA Filter Assembly

1. Place the vacuum securely on a flat surface, then turn the HEPA filter assembly cover in the direction indicated and remove the HEPA filter assembly.

Note: Remove the built-in foam pad before cleaning the HEPA filter assembly. Rinse the HEPA filter and foam pad with water.



2. Rinse the HEPA filter and foam pad with water. To thoroughly remove all dust caught in the filter, rotate the HEPA filter by 360 degrees while rinsing. Lightly tap the filter against a sink several times to remove any excess debris. Keep the HEPA filter in a well-ventilated and cool place to fully dry.

Note: Fully dry the filter (at least 24 hours) before reinstalling it.



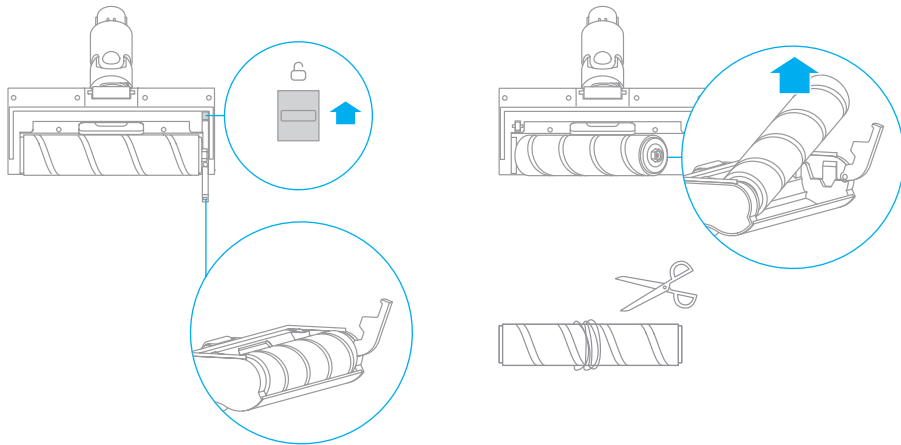
Care & Maintenance

Cleaning the Soft Roller Nozzle and Mini-Motorized Nozzle

Note: To prevent injury from accidentally turning on the vacuum, make sure the Soft Roller Nozzle or Mini-Motorized Nozzle is detached from the vacuum before removing the head. The Mini-Motorized Nozzle and Soft Roller Nozzle contain electrical components, and the Soft Roller Nozzle head also contains bearings. Do not wash these parts with water. Be careful of sharp objects when removing debris caught in the heads of Soft Roller Nozzle and Mini-Motorized Nozzle.

Cleaning the Soft Roller Nozzle

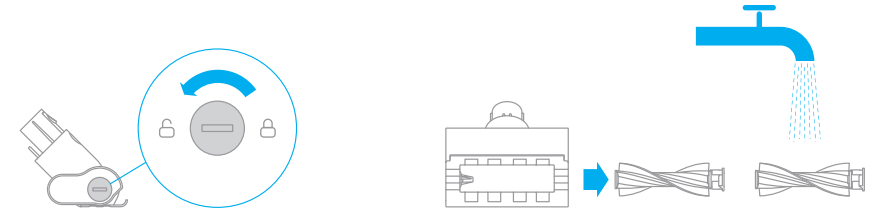
1. Push the brushbar head release button in the direction of the arrow until the cover of the brushbar head pops to open, then remove the brushbar head by lifting it in the direction indicated.
2. After you have finished cleaning the Soft Roller Nozzle, reinstall it by following the disassembly steps in reverse.



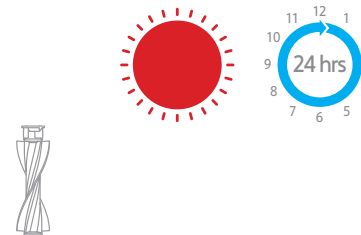
Care & Maintenance

Cleaning the Mini-Motorized Nozzle

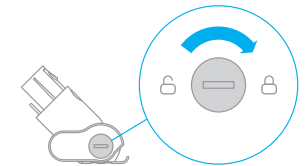
1. Use a coin as illustrated to rotate the lock counterclockwise until you hear a click.
2. After unlocking the brush head, remove it from the Mini-Motorized Nozzle, then rinse and clean the brush head.



3. Stand the brush head upright in a well-ventilated area for at least 24 hours until it is fully dry.



4. Once the Mini-Motorized Nozzle is dry, reinstall it by following the disassembly steps in reverse.



Troubleshooting

If the vacuum is not working properly, please refer to the troubleshooting table below.

Errors	Possible Causes	Solutions
Vacuum does not work	Vacuum is out of battery or low on power.	Fully charge the vacuum, then resume use.
	Overheat protection mode triggered by a blockage.	Wait until the vacuum cools down, then reactivate it.
	Suction opening or airway passage is blocked.	Clear any blockages from suction opening or airway passage.
Weak suction force	Dust compartment is full and/or HEPA filter assembly is clogged.	Empty the dust compartment and clean the HEPA filter assembly.
	Attachment is blocked.	Clear any blockages in the attachment.
Motor makes a strange noise	Main suction opening or extension rod is blocked.	Clear any blockages in main suction opening or extension rod.
The first indicator is red after turning on the vacuum	Battery is damaged.	Please contact the after-sales service department for maintenance.
The first indicator blinks red after turning on the vacuum.	Power adapter is incompatible.	Only use the original power adapter to charge the vacuum.
Battery indicator does not light up while charging	The adapter is not connected to the vacuum.	Make sure the power adapter is plugged in properly.
	The battery is fully charged and went into sleep mode.	Can be used normally.
	If the problem persists after ruling out the above two possibilities.	Please contact the after-sales service department for maintenance.
Charges slowly	Battery temperature is too low or too high.	Wait until the battery's temperature normalizes, then resume use.

This product contains batteries that can only be replaced by qualified technicians or after-sales service.

This product contains batteries that are non-replaceable.

WEEE Information



All products bearing this symbol are waste electrical and electronic equipment (WEEE as in directive 2012/19/EU) which should not be mixed with unsorted household waste. Instead, you should protect human health and the environment by handing over your waste equipment to a designated collection point for the recycling of waste electrical and electronic equipment, appointed by the government or local authorities. Correct disposal and recycling will help prevent potential negative consequences to the environment and human health. Please contact the installer or local authorities for more information about the location as well as terms and conditions of such collection points.

Consignes de sécurité

Veillez lire attentivement ce manuel avant toute utilisation et le conserver pour pouvoir le consulter ultérieurement afin d' éviter les accidents, notamment les chocs électriques ou les incendies causés par une mauvaise utilisation.

Attention

Ce produit peut être utilisé par des enfants à partir de 8 ans, ainsi que des personnes présentant des déficiences physiques, sensorielles ou intellectuelles, ou dont l' expérience et les connaissances sont limitées sous le contrôle d' un parent ou d' un tuteur pour assurer une utilisation sécurisée et éviter tout danger. Le nettoyage et l' entretien ne doivent pas être effectués par des enfants sans surveillance.

L' aspirateur n' est pas un jouet. Les enfants ne doivent pas jouer avec ce produit ou l' utiliser. Soyez vigilant lorsque vous utilisez ce produit à proximité d' enfants. Les enfants ne sont pas autorisés à nettoyer ou à entretenir l' aspirateur sans la surveillance d' un parent ou d' un adulte.

N' utilisez pas l' aspirateur à l' extérieur sur des surfaces mouillées. Utilisez-le uniquement sur des surfaces sèches à l' intérieur. Ne touchez pas la prise ou toute partie de l' aspirateur avec les mains mouillées.

Vérifiez que la batterie au lithium et l' adaptateur de charge ne sont pas endommagés avant utilisation afin de réduire le risque d' incendie, d' explosion ou de blessure.

N' utilisez pas l' aspirateur si l' un de ces éléments est endommagé.

La brosse douce, la batterie, la broche du connecteur métallique et l' aspirateur sont conducteurs et ne doivent pas être immergés dans l' eau ou tout autre liquide. Veillez à sécher tous les filtres après nettoyage.

Mettez l' aspirateur hors tension avant de nettoyer la brosse douce. La brosse douce, le compartiment à poussière et le filtre doivent être convenablement installés avant d' utiliser l' aspirateur.

Utilisez uniquement l' adaptateur de charge d' origine. N' utilisez jamais d' adaptateur d' une autre marque, car la batterie au lithium pourrait prendre feu.

N' utilisez pas l' aspirateur pour aspirer des liquides inflammables ou combustibles, comme de l' essence, ou de l' eau de javel, de l' ammoniaque, des nettoyeurs pour canalisations ou tout autre liquide.

N' utilisez pas l' aspirateur pour aspirer des particules de plâtre, des cendres ou des matériaux de combustion ou des substances fumigènes, tels que du charbon, des mégots de cigarette ou des allumettes.

N' utilisez pas l' aspirateur pour aspirer des objets durs ou pointus, comme du verre, des clous, des vis ou des pièces de monnaie sous peine d' endommager l' appareil.

Tenez vos cheveux, tout vêtement ample, vos doigts et toute autre partie du corps éloignés des orifices et des pièces amovibles de l' aspirateur. Ne dirigez pas le tuyau, le tube ou les accessoires vers vos yeux ou vos oreilles et ne les placez pas dans votre bouche.

Ne placez aucun objet dans les orifices de l' aspirateur. N' utilisez pas l' aspirateur en cas d' obstruction d' un des orifices. Retirez la poussière, les peluches, les cheveux ou tout autre élément susceptible de réduire le flux d' air.

Ne placez pas l' aspirateur contre une chaise, une table ou toute surface instable sous peine d' endommager l' appareil ou de vous blesser. Si l' aspirateur est endommagé ou fonctionne mal en raison d' une chute, contactez notre service après-vente agréé. Ne tentez jamais de démonter l' appareil vous-même.

Toutes les instructions du manuel relatives à la recharge de la batterie doivent être suivies scrupuleusement. Vous pourriez endommager la batterie si vous ne la chargez pas dans la plage de températures spécifiée.

Utilisez uniquement des accessoires et des pièces de rechange approuvées par Dreame.

N' utilisez pas l' aspirateur sans le compartiment à poussière transparent et le filtre.

Veillez à débrancher l' aspirateur lorsqu' il n' est pas utilisé pendant une période prolongée ou avant tout entretien ou toute réparation.

Soyez extrêmement vigilant lorsque vous utilisez l' aspirateur pour nettoyer un escalier.

Ce produit ne doit pas être installé, chargé ou utilisé à l' extérieur, dans une salle de bains ou autour d' une piscine.

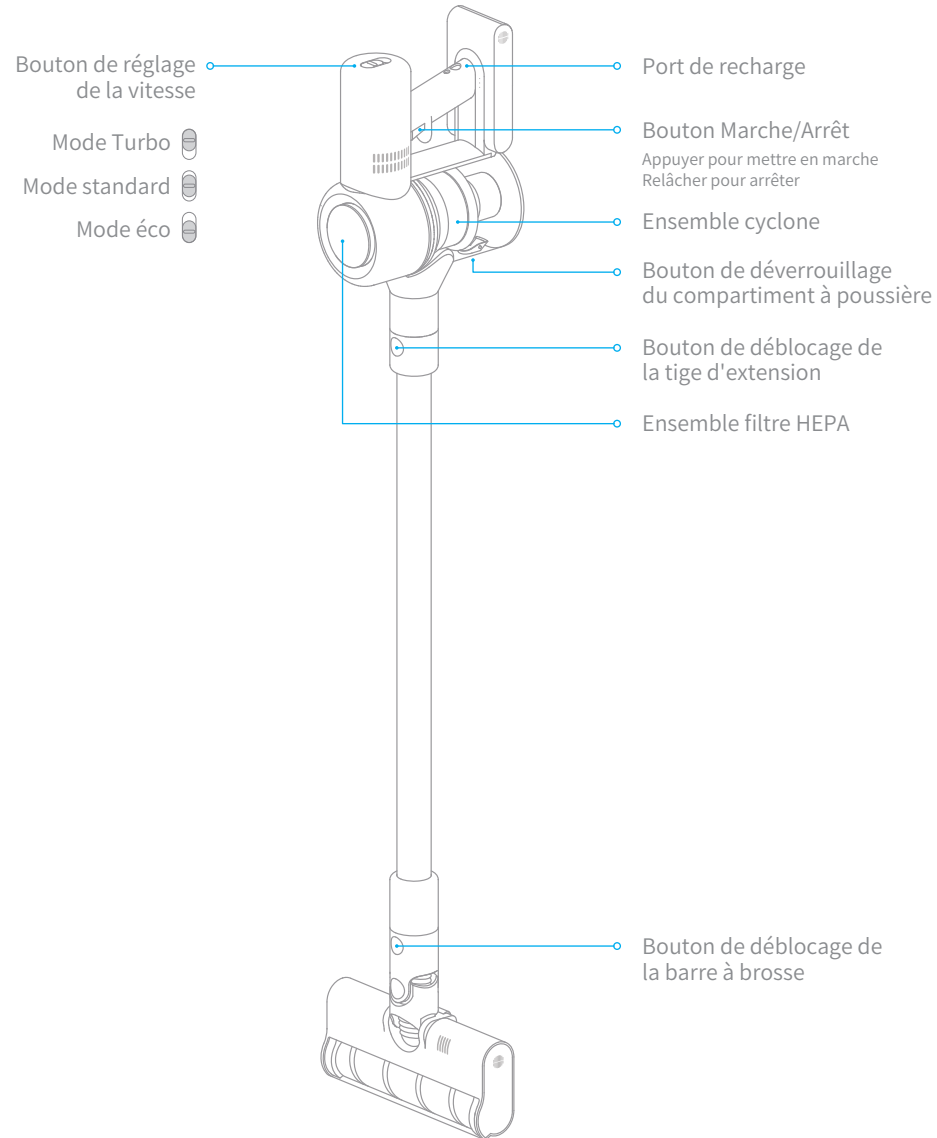
Avertissement sur le risque d' incendie : N' appliquez aucun parfum dans le filtre de l' aspirateur. L' appareil pourrait prendre feu, car ces types de produits sont connus pour contenir des produits chimiques inflammables.

Ce produit est conçu pour une utilisation domestique uniquement.

Par la présente, Dreame Trading (Tianjin) Co., Ltd. déclare que cet équipement est conforme aux directives et normes européennes applicables, ainsi qu' à leurs amendements. L' intégralité de la déclaration de conformité pour l' UE est disponible à l' adresse suivante : www.dreame-technology.com

Présentation du produit

Nom des pièces

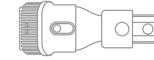


Présentation du produit

Accessoires



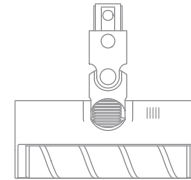
Suceur fente 2-en-1



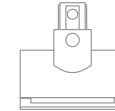
Suceur brosse 2-en-1



Adaptateur secteur



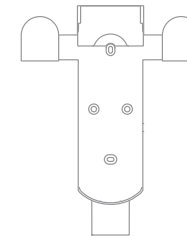
Brosse douce



Brosse électrique anti-acariens



Tige de rallonge



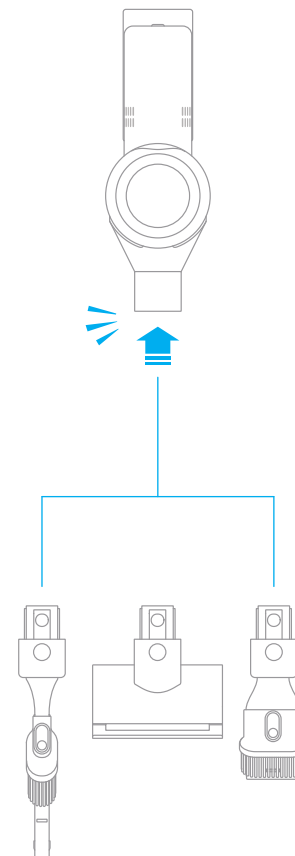
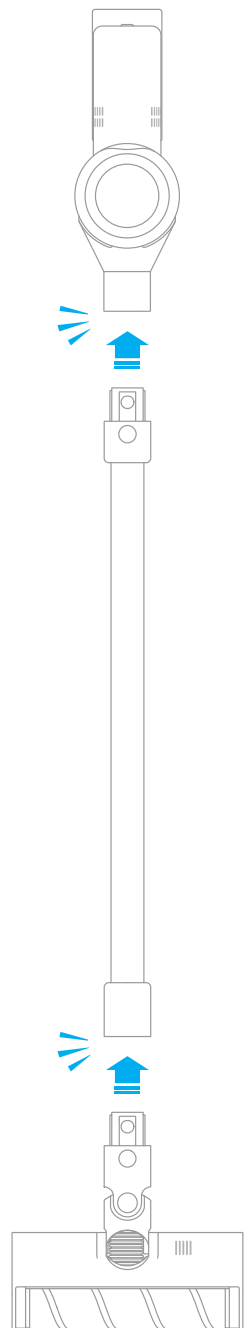
Station de charge et de stockage 2-en-1

(2 vis, 2 prises murales incluses)

Installation

Schéma d' installation de l' aspirateur et des accessoires

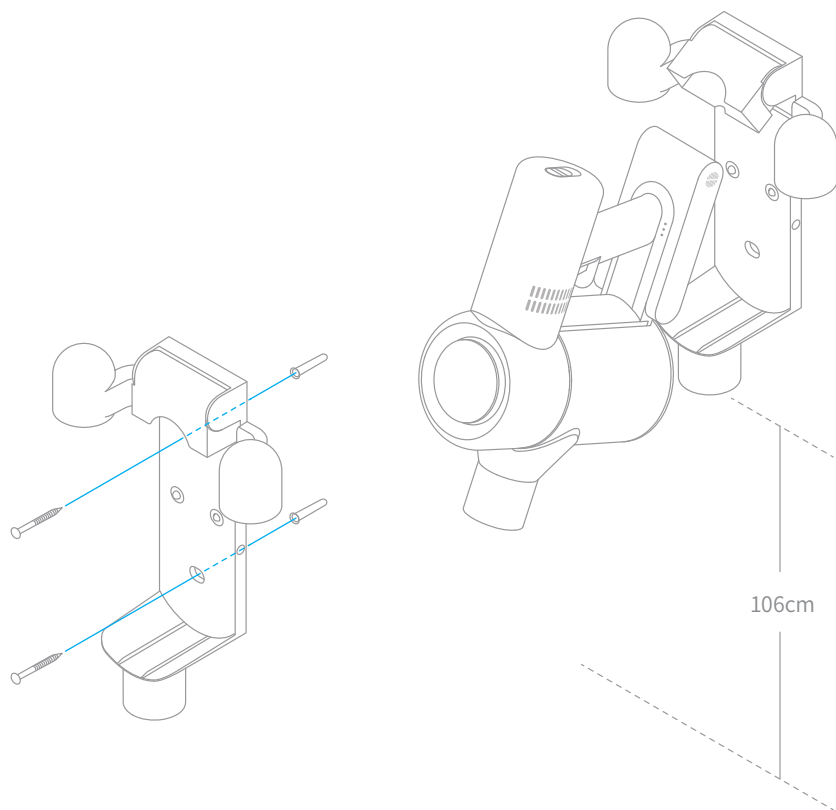
 Insérer jusqu' à entendre un déclic



Installation

Installation de la station de charge et de stockage 2-en-1

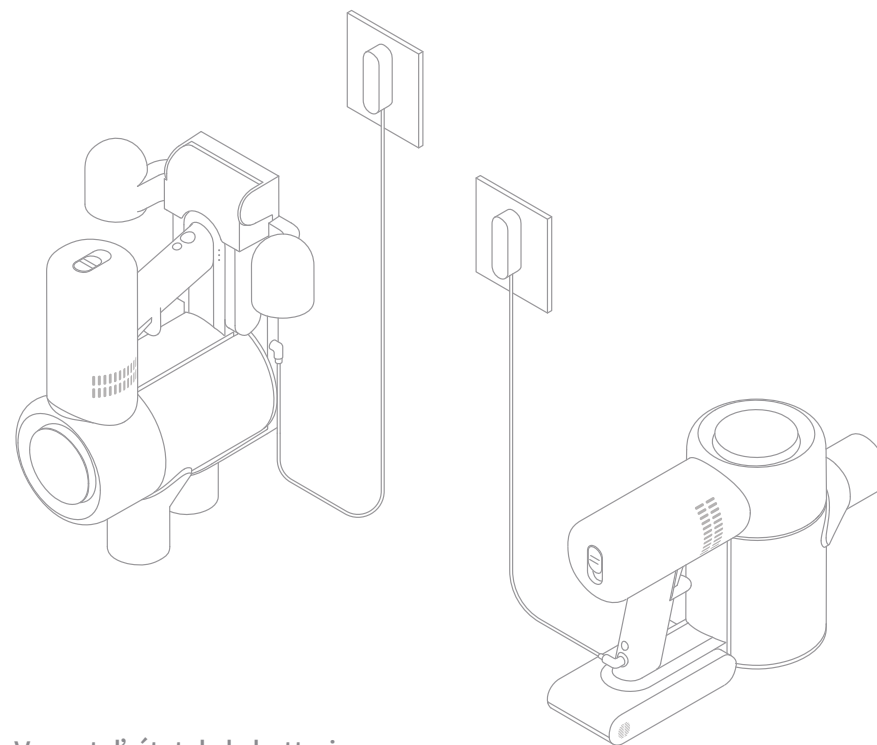
1. Cette station est un accessoire facultatif que vous pouvez installer en fonction de vos besoins.
2. Elle doit être placée dans un endroit sec et frais, à proximité d' une prise électrique, éloignée des rayons directs du soleil et ne doit pas être installée dans des endroits humides, comme une cuisine.
3. Fixez la station de charge à l' aide du matériel de montage adapté au type de mur choisi. Vérifiez que la zone d' installation ne contient pas de conduites de gaz, d' eau ou d' air, de fils et de câbles ou de drains.
4. Il est recommandé de faire appel à un professionnel pour installer la station de charge et de porter des vêtements de protection, lunettes de sécurité, ou autre équipement de protection si nécessaire.
5. À l' aide d' une perceuse électrique, marquez et percez deux trous de 8 mm de diamètre dans le mur à l' endroit voulu à une profondeur d' environ 30 mm. Placez les prises murales dans les trous, positionnez la station, puis fixez-la au mur à l' aide des vis fournies.



Mode d' utilisation

Remarque :

1. Chargez entièrement la batterie de l' aspirateur avant la première utilisation. Cette opération peut prendre environ 4 heures.
2. L' aspirateur ne peut pas être utilisé pendant la charge.
3. L' aspiration en mode Turbo pendant une période prolongée peut entraîner la surchauffe de la batterie, ce qui augmente le temps de charge. Laissez l' aspirateur refroidir pendant 30 minutes avant de le charger.



Voyant d' état de la batterie

● Arrêt ☼ Clignotant ○ Marche

● ● ☼ Batterie faible

● ☼ ○ Batterie à moitié vide

☼ ○ ○ Batterie presque pleine

○ ○ ○ Entièrement chargée

● ● ● Entièrement chargée

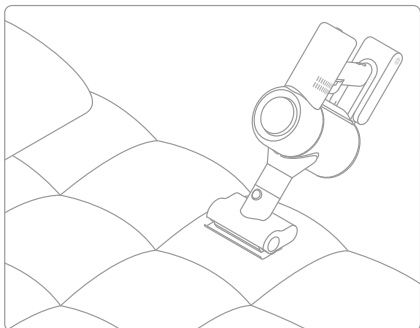
Remarque : Une fois l' aspirateur entièrement chargé, le voyant s' éteint au bout de 5 minutes et l' appareil passe en mode économie d' énergie.

Avant de continuer, veuillez lire attentivement les Consignes de sécurité dans ce manuel d' utilisation.

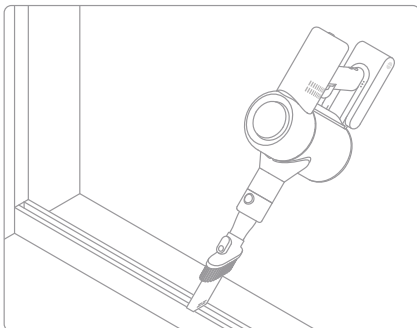
Mode d' utilisation

Utilisation des différents accessoires

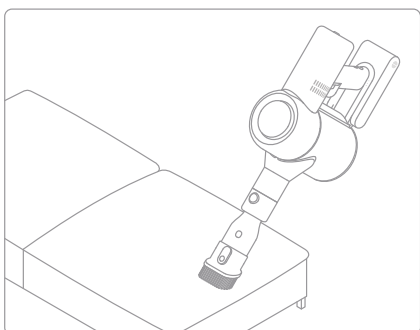
Brosse électrique anti-acariens : Émet de fortes vibrations pour un nettoyage en profondeur afin d' éliminer les acariens et la poussière des matelas et des surfaces en tissu.



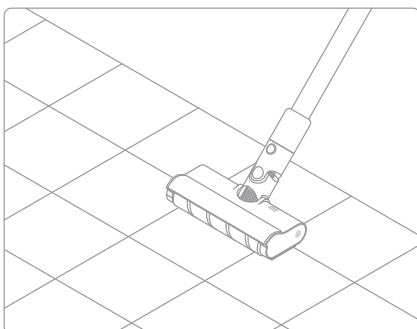
Suceur fente 2-en-1 : Adapté à l' aspiration dans les fentes, les coins des portes et fenêtres, les escaliers et tout autre endroit difficile d' accès.



Suceur brosse 2-en-1 : Adapté à l' aspiration de la poussière et des acariens sur les lits, les canapés et le mobilier en tissu.



Brosse douce : Adaptée à l' aspiration des surfaces dures, telles que le parquet, le carrelage, le marbre, et des salissures et des débris de plus grande taille. La brosse douce peut également être fixée directement à l' aspirateur.



Remarque :

1. L' aspirateur peut s' éteindre automatiquement en cas de blocage d' une pièce rotative. Retirez les corps étrangers coincés, puis reprenez l' utilisation.
2. L' aspirateur s' éteint automatiquement si le moteur entre en mode de protection contre la surchauffe. Attendez que la température du moteur redevienne normale avant de reprendre l' utilisation de l' appareil.

Entretien et maintenance

Astuces :

1. Utilisez toujours des pièces d' origine, faute de quoi la garantie pourrait être annulée.
2. En cas d' obstruction du filtre ou du suceur, l' aspirateur s' arrête de fonctionner peu après avoir été mis sous tension. Nettoyez le filtre ou le suceur afin de rétablir son fonctionnement.
3. Si l' aspirateur n' a pas été utilisé pendant une période prolongée, chargez entièrement sa batterie, débranchez son adaptateur secteur et stockez-le dans un endroit frais, sec et éloigné des rayons directs du soleil. Pour éviter une décharge excessive de la batterie, rechargez l' aspirateur au moins tous les 3 mois.

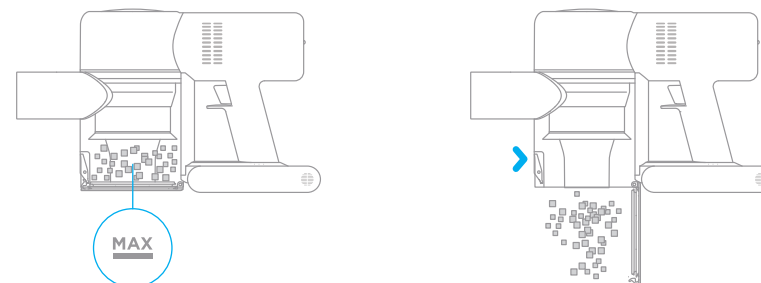
Nettoyage de l' aspirateur

Essayez l' aspirateur avec un chiffon doux et sec.

Nettoyer le compartiment à poussière

Avant de nettoyer le compartiment à poussière, débranchez l' adaptateur et laissez le bouton d' alimentation éteint. La fonction de nettoyage de l' aspirateur sera réduite si le compartiment à poussière est rempli jusqu' au niveau de la marque « MAX ». Videz-le pour améliorer les performances.

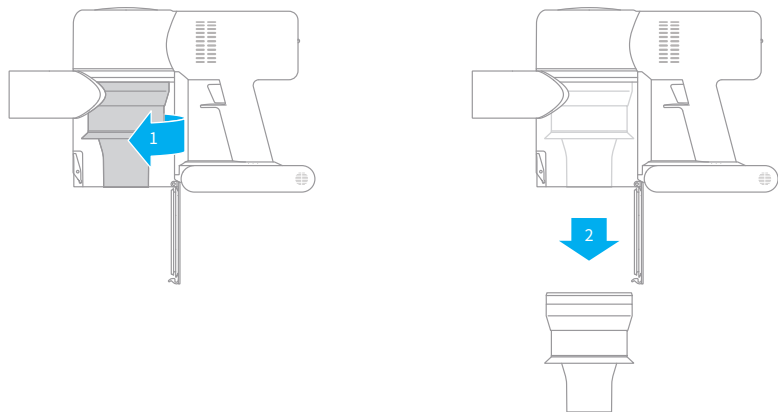
Pour vider le compartiment à poussière. Appuyez sur le bouton situé au bas de celui-ci et videz son contenu.



Entretien et maintenance

Nettoyage de l' ensemble cyclone

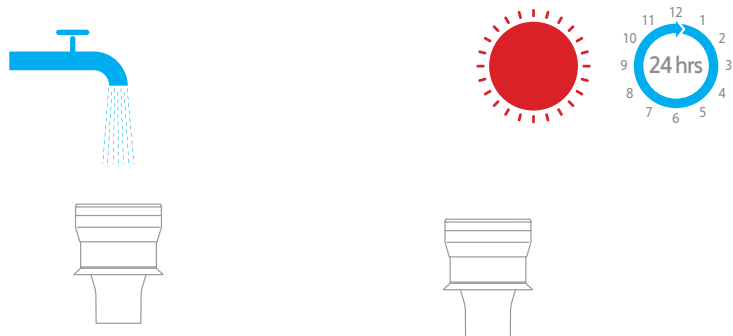
1. Faites tourner l' ensemble cyclone dans le sens de déverrouillage indiqué, puis retirez-le.



2. Rincez l' ensemble cyclone avec de l' eau jusqu' à ce qu' il soit propre. Pour le sécher, stockez-le dans un endroit frais et ventilé pendant au moins 24 heures.

Attention : Ne nettoyez pas l' ensemble cyclone dans un lave-vaisselle ou un lave-linge, et ne le séchez pas dans un sèche-linge, un four, un four à micro-ondes ou dans un endroit à proximité d' une flamme nue.

3. Une fois l' ensemble cyclone sec, réinstallez-le.

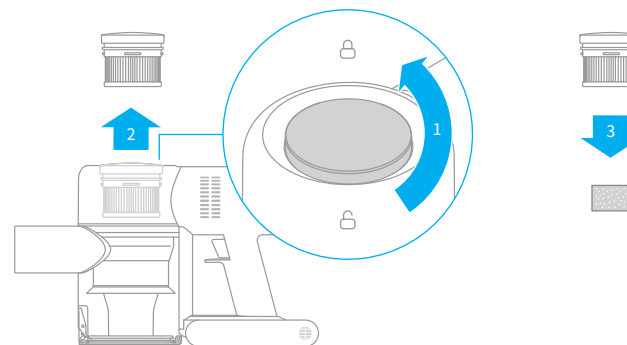


Entretien et maintenance

Nettoyage de l' ensemble filtre HEPA

1. Fixez l' aspirateur solidement sur une surface plane, puis faites tourner le couvercle de l' ensemble filtre HEPA dans le sens indiqué pour le retirer.

Remarque : Retirez le coussinet en mousse avant de nettoyer l' ensemble filtre HEPA, puis rincez le tout avec de l' eau.



2. Rincez le filtre HEPA et la mousse avec de l' eau. Pour retirer toute la poussière emprisonnée dans le filtre, faites tourner ce dernier à 360 degrés pendant le rinçage. Tapez légèrement le filtre plusieurs fois contre l' évier pour retirer l' excès de débris. Stockez le filtre HEPA dans un endroit frais et bien ventilé pour le sécher complètement.

Remarque : Séchez complètement le filtre (pendant au moins 24 heures) avant de le réinstaller.



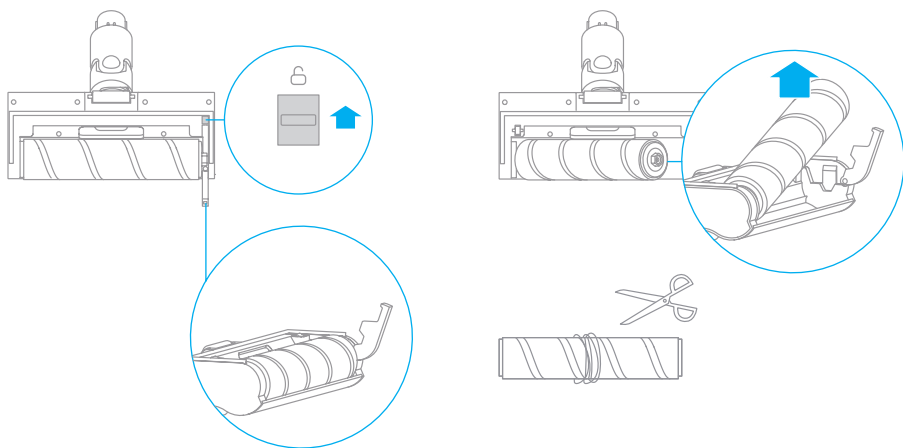
Entretien et maintenance

Nettoyage de la brosse douce et de la brosse électrique anti-acariens

Remarque : Pour éviter toute blessure lors de la mise sous tension de l'aspirateur, vérifiez que la brosse douce ou la brosse électrique anti-acariens est détachée de ce dernier avant de retirer la tête. Ces brosses renferment des composants électriques et la tête de la brosse douce comporte également des roulements. Ne lavez pas ces pièces avec de l'eau. Faites attention aux objets pointus lorsque vous retirez les débris interceptés dans les têtes de la brosse douce et de la brosse électrique anti-acariens.

Nettoyage de la brosse douce

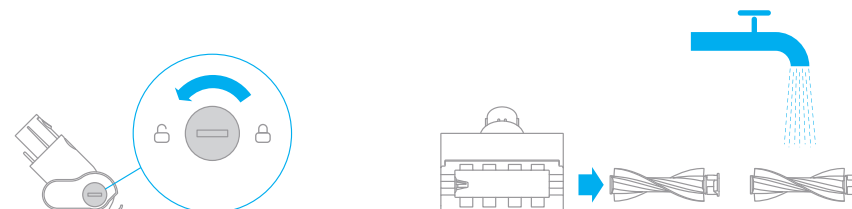
1. Appuyez sur le bouton de déverrouillage de la tête dans le sens de la flèche jusqu'à ce que son couvercle s'ouvre, puis retirez la tête de la brosse en la soulevant dans le sens indiqué.
2. Une fois le nettoyage de la brosse douce terminé, réinstallez-la en suivant la procédure de démontage dans l'ordre inverse.



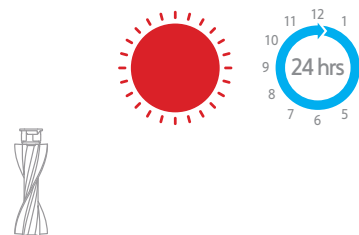
Entretien et maintenance

Nettoyage de la brosse électrique anti-acariens

1. Utilisez une pièce comme illustré pour faire tourner le verrou dans le sens anti-horaire jusqu'à entendre un clic.
2. Une fois la tête de brosse déverrouillée, retirez-la de la brosse électrique anti-acariens, puis rincez et nettoyez-la.



3. Stockez la tête de brosse à la verticale dans un endroit bien ventilé pendant au moins 24 heures jusqu'à ce qu'elle soit totalement sèche.



4. Dès que la brosse douce est sèche, réinstallez-la en suivant la procédure de démontage dans l'ordre inverse.



En cas de dysfonctionnement de l'aspirateur, consultez le tableau ci-dessous.

Erreurs	Causes possibles	Solutions
L'aspirateur ne fonctionne pas.	La batterie de l'aspirateur est déchargée ou faiblement chargée.	Rechargez complètement l'aspirateur avant de commencer à le réutiliser.
	Déclenchement du mode Protection suite à une obstruction.	Attendez que l'aspirateur refroidisse, puis réactivez-le.
	L'orifice d'aspiration ou le passage d'air est obstrué.	Retirez les débris susceptibles de bloquer l'orifice d'aspiration ou le passage de l'air.
Réduction de la puissance d'aspiration.	Le compartiment à poussière est rempli et/ou l'ensemble filtre HEPA est obstrué.	Videz le compartiment à poussière et nettoyez l'ensemble filtre HEPA.
	L'accessoire est obstrué.	Retirez les débris susceptibles d'obstruer l'accessoire.
Le moteur fait un bruit anormal.	L'orifice d'aspiration principal ou la tige de rallonge est obstruée.	Retirez les débris susceptibles de bloquer l'orifice d'aspiration principal ou la tige de rallonge.
Le premier voyant est rouge après la mise sous tension de l'aspirateur.	La batterie est déchargée.	Contactez le service après-vente pour maintenance.
Le premier voyant clignote en rouge après la mise sous tension de l'aspirateur.	L'adaptateur secteur est incompatible.	Utilisez uniquement l'adaptateur secteur d'origine pour recharger l'aspirateur.
Le voyant de la batterie ne s'allume pas lors de la recharge.	L'adaptateur secteur n'est pas connecté à l'aspirateur.	Assurez-vous que l'adaptateur secteur est correctement branché.
	La batterie est complètement chargée et est passée en mode veille.	Elle peut être utilisée normalement.
	Si le problème persiste après avoir éliminé les deux possibilités ci-dessus.	Contactez le service après-vente pour maintenance.
La recharge s'effectue lentement.	La température de la batterie est trop faible ou trop élevée.	Attendez que la température de la batterie redevienne normale, puis recommencez à l'utiliser.

Ce produit contient des batteries uniquement remplaçables par des techniciens qualifiés ou le service après-vente.

Ce produit contient des batteries non remplaçables.

Informations DEEE



Tous les produits portant ce symbole deviennent des déchets d'équipements électriques et électroniques (DEEE dans la Directive européenne 2012/19/UE) qui ne doivent pas être mélangés aux déchets ménagers non triés. Vous devez contribuer à la protection de l'environnement et de la santé humaine en apportant l'équipement usagé à un point de collecte dédié au recyclage des équipements électriques et électroniques, agréé par le gouvernement ou les autorités locales. Le recyclage et la destruction appropriés permettront d'éviter tout impact potentiellement négatif sur l'environnement et la santé humaine. Contactez l'installateur ou les autorités locales pour obtenir plus d'informations concernant l'emplacement ainsi que les conditions d'utilisation de ce type de point de collecte.

Sicherheitshinweise

Um zu vermeiden, dass es durch unsachgemäße Benutzung zu Stromschlägen oder Bränden kommt, sollten Sie dieses Handbuch vor der Benutzung sorgfältig durchlesen und es aufbewahren, um künftig nachschlagen zu können.

Warnung!

Dieses Produkt kann von Kindern im Alter ab acht Jahren und von Personen mit physischen, sensorischen und intellektuellen Einschränkungen oder begrenzter Erfahrung oder Wissen benutzt werden, dies muss jedoch unter Aufsicht von Eltern oder einer Aufsichtsperson erfolgen, um einen sicheren Betrieb zu gewährleisten und Gefahren auszuschließen. Eine Wartung und Reinigung darf durch Kinder nur unter Aufsicht erfolgen.

Der Staubsauger ist kein Spielzeug. Kinder dürfen mit dem Produkt nicht spielen oder es benutzen. Seien Sie bei der Benutzung des Staubsaugers in der Nähe von Kindern bitte vorsichtig. Gestatten Sie es Kindern keinesfalls, den Staubsauger zu reinigen oder zu warten, außer unter Aufsicht eines Elternteils oder Vormunds.

Der Staubsauger darf nicht im Freien oder auf nassen Oberflächen benutzt werden. Der Staubsauger darf nicht mit nassen Händen berührt werden.

Um das Risiko von Bränden, Explosionen und Verletzungen zu mindern, prüfen Sie vor der Benutzung bitte den Lithium-Akku und das Ladegerät auf Beschädigungen. Der Staubsauger darf nicht benutzt werden, wenn der Lithium-Akku oder das Ladegerät beschädigt ist.

Die weiche Bürstenrolle, der Akku, der Metall-Verbindungstift und der Staubsauger können Strom leiten und sollten nicht in Wasser oder andere Flüssigkeiten getaucht werden. Bitte achten Sie darauf, dass alle Filter nach der Reinigung getrocknet werden.

Um Verletzungen durch bewegliche Teile zu vermeiden, müssen Sie den Staubsauger vor der Reinigung der weichen Bürstenrolle abschalten. Vor der Benutzung des Staubsaugers müssen die weiche Bürstenrolle, der Staubbehälter und der Filter korrekt installiert werden.

Benutzen Sie ausschließlich das Original-Ladegerät. Die Benutzung eines nicht originalen Ladegerätes kann zu einer Entzündung des Lithium-Akkus führen.

Der Staubsauger darf nicht benutzt werden, um brennbare oder entzündliche Flüssigkeiten wie Benzin, Bleiche, Ammoniak, Abflussreiniger oder andere Flüssigkeiten aufzusaugen.

Der Staubsauger darf nicht benutzt werden, um Rigipspartikel, Asche (z. B. Kaminasche) oder Rauch- oder Brennmaterialien wie Kohle, Zigarettenstummel oder Streichhölzer aufzusaugen.

Der Staubsauger darf nicht benutzt werden, um scharfe oder harte Objekte wie Glas, Nägel, Schrauben oder Münzen aufzusaugen, da dies zu Schäden am Gerät führen kann.

Halten Sie Haare, lose Kleidung, Finger und andere Körperteile von den Öffnungen des Staubsaugers und den beweglichen Teilen fern. Der Schlauch, das Rohr und das Werkzeug dürfen nicht auf Augen oder Ohren gerichtet werden oder in den Mund genommen werden.

Stecken Sie keine Gegenstände in die Öffnungen des Staubsaugers. Der Staubsauger darf nicht genutzt werden, wenn eine Öffnung blockiert ist. Er muss frei von Staub, Flusen, Haaren und anderen Gegenständen gehalten werden, die den Luftstrom behindern könnten.

Lehnen Sie den Staubsauger nicht gegen Stühle, Tische oder andere instabile Flächen, da dies zu Schäden am Gerät oder Verletzungen führen kann. Falls der Staubsauger durch Umkippen beschädigt wird oder sonst defekt ist, wenden Sie sich bitte an unsere autorisierte Serviceabteilung. Versuchen Sie nie, das Gerät selbst zu zerlegen.

Beim Aufladen des Akkus sind alle Anweisungen in dieser Anleitung strikt zu befolgen. Wenn bei der Aufladung des Akkus der angegebene Temperaturbereich nicht eingehalten wird, kann der Akku beschädigt werden.

Verwenden Sie nur Zubehör und Ersatzteile, die von Dreame zugelassen sind.

Der Staubsauger darf nur benutzt werden, wenn der klare Staubbehälter und der Filter ordnungsgemäß montiert sind.

Stellen Sie sicher, dass der Staubsauger nicht mit dem Stromnetz verbunden ist, wenn Sie ihn über längere Zeit nicht benutzen. Der Staubsauger muss außerdem vom Stromnetz getrennt werden, bevor Wartungs- und Reparaturarbeiten erfolgen.

Bitte seien Sie besonders vorsichtig, wenn Sie den Staubsauger zur Treppenreinigung verwenden.

Dieses Produkt darf nicht im Freien, in Badezimmern oder in der Nähe eines Schwimmbekens benutzt, installiert oder geladen werden.

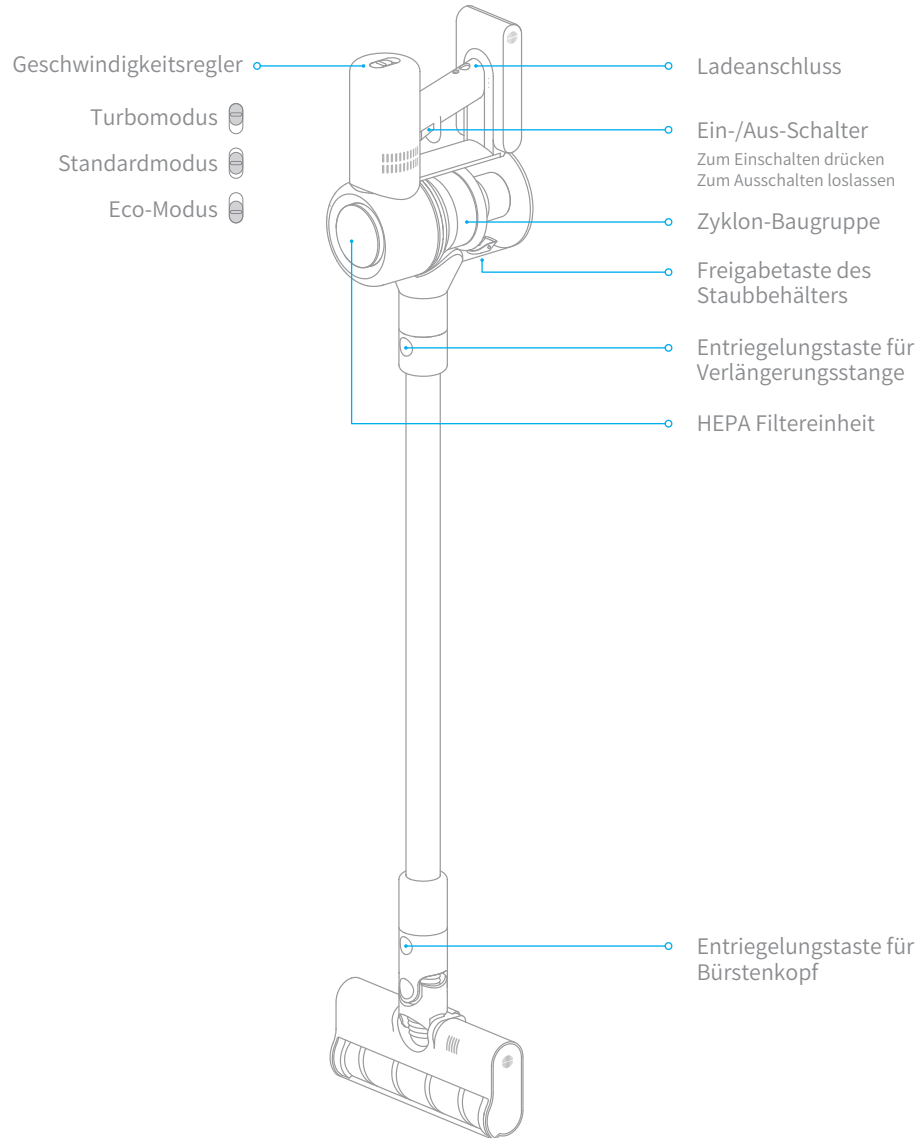
Warnung vor Brandgefahr: auf den Filter dürfen keinesfalls Duftstoffe jeglicher Art aufgetragen werden. Diese Art von Produkten enthält häufig brennbare Chemikalien, die dazu führen könnten, dass das Gerät Feuer fängt.

Das Produkt ist nur für den Heimgebrauch bestimmt.

Wir, Dreame Trading (Tianjin) Co., Ltd. bestätigen hiermit, dass dieses Gerät mit den geltenden Verordnungen und europäischen Normen sowie etwaigen Ergänzungen in Einklang steht. Der vollständige Wortlaut der EU-Konformitätserklärung ist unter der folgenden Internetadresse abrufbar: www.dreame-technology.com

Produktüberblick

Teilebezeichnung

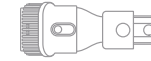


Produktüberblick

Zubehör



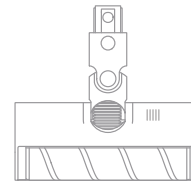
2-in-1 Spaltdüse



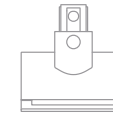
2-in-1 Bürstendüse



Netzteil



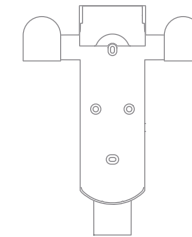
Weiche Bürstenrolle



Elektrische Milbenbürste



Verlängerungsstab

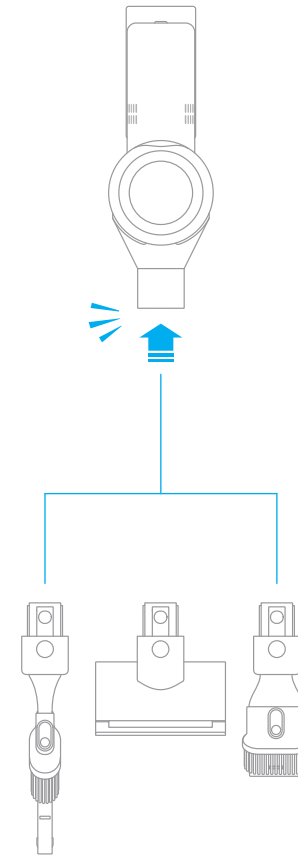
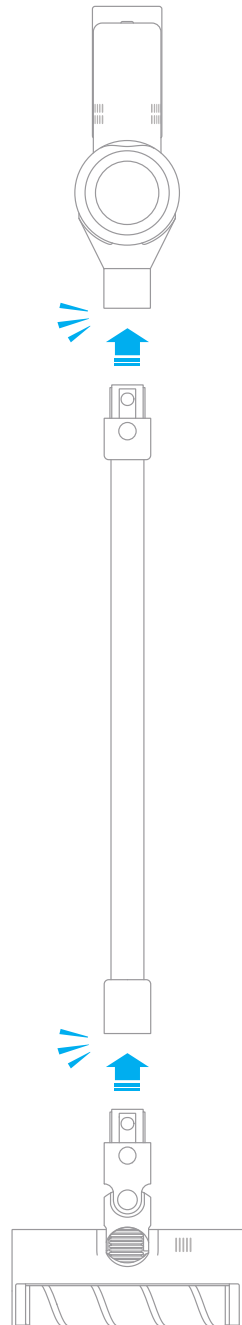


2-in-1 Lade- und Aufbewahrungshalterung
(einschließlich 2 x Schrauben, 2 x Dübel)

Installation

Installationsdiagramm für Staubsauger und Zubehör

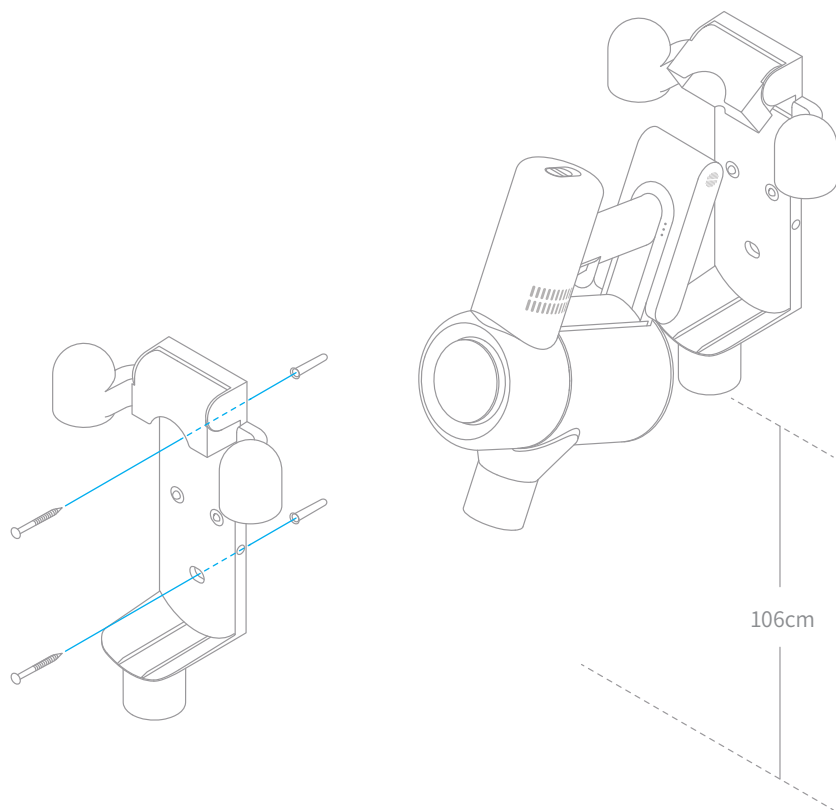
 Hineinstecken, bis ein Klick ertönt



Installation

Installation der 2-in-1 Lade- und Aufbewahrungshalterung

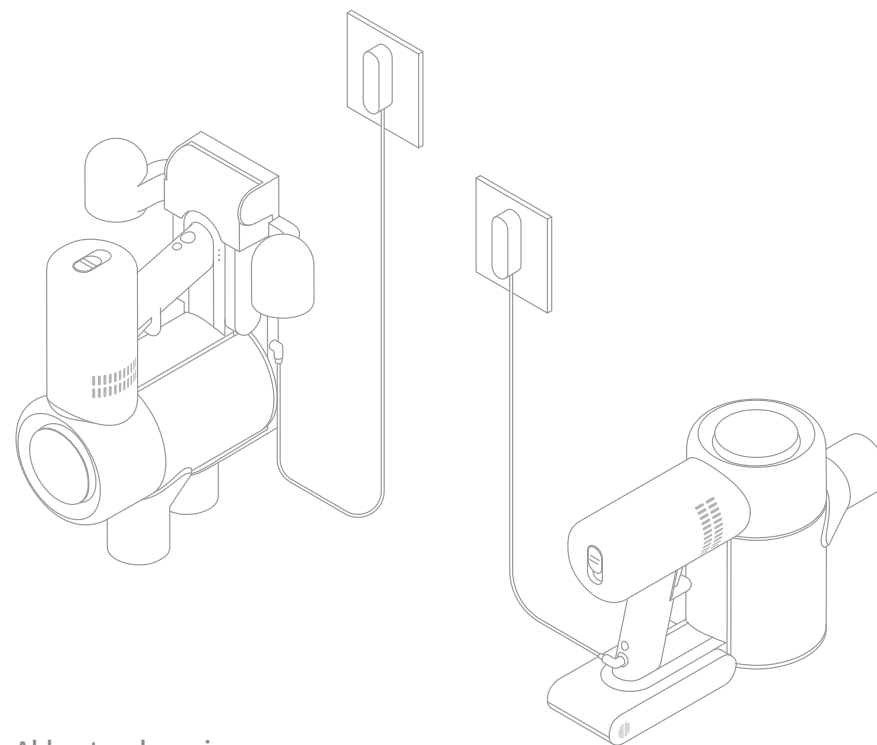
1. Die 2-in-1 Lade- und Aufbewahrungshalterung ist ein optionales Zubehörteil, das Sie nach Ihrem persönlichen Bedarf montieren können.
2. Die Halterung sollte an einem kühlen, dunklen Platz in der Nähe einer Steckdose installiert werden, an einem Ort ohne Sonneneinstrahlung und nicht in der Nähe feuchter Bereiche (z. B. Küche).
3. Verwenden Sie je nach Art der Wand entsprechende Befestigungsmittel, um die Halterung sicher zu befestigen. Stellen Sie sicher, dass sich im Installationsbereich keine Leitungen (wie Gas, Wasser, Luft, Elektrizität, Abflüsse) befinden.
4. Es wird empfohlen, die Halterung von einem Fachmann montieren zu lassen oder andernfalls entsprechend Schutzkleidung und Schutzbrille zu tragen sowie andere Schutzmaßnahmen zu ergreifen.
5. Nachdem Sie die Löcher an der Wand entsprechend markiert haben, bohren Sie mit einer elektrischen Bohrmaschine zwei Löcher mit einem Durchmesser von 8 mm und einer Tiefe von etwa 30 mm. Stecken Sie die Dübel in die Löcher, positionieren Sie die Halterung und befestigen Sie diese mit den beigegeführten Schrauben an der Wand.



Benutzung

Hinweis:

1. Laden Sie den Staubsauger vor dem ersten Einsatz bitte vollständig auf. Das nimmt etwa 4 Stunden in Anspruch.
2. Der Staubsauger kann während des Ladens nicht benutzt werden.
3. Wenn Sie über längere Zeit im Turbomodus Staub saugen, kann dies zur Erhitzung des Akkus führen, was eine längere Ladezeit zur Folge hat. Lassen Sie daher den Staubsauger vor dem Aufladen 30 Minuten abkühlen.



Akkustandanzeige

● Aus ☀️ Blinken ○ Ein

● ● ☀️ Niedriger Akkuladestatus ○ ○ ○ Voll aufgeladen

● ☀️ ○ Akkuladestatus 50 %

● ● ● Voll aufgeladen

☀️ ○ ○ Fast voll

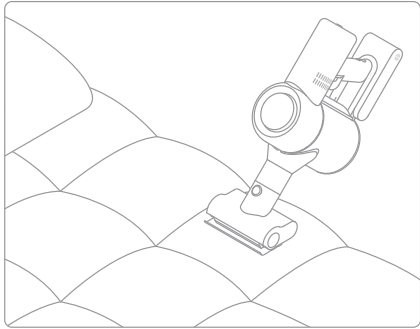
Hinweis: Wenn der Staubsauger voll geladen ist, schaltet sich die Anzeige nach 5 Minuten ab und das Gerät wird in den Energieeinsparmodus versetzt.

Bitte lesen Sie die Sicherheitshinweise in diesem Benutzerhandbuch, bevor Sie fortfahren.

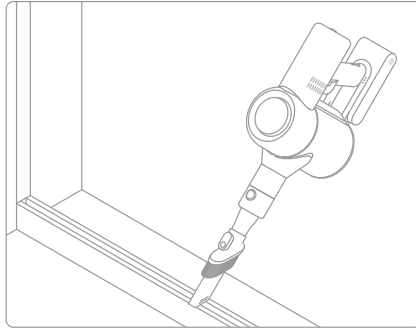
Benutzung

Benutzung verschiedener Zubehörteile

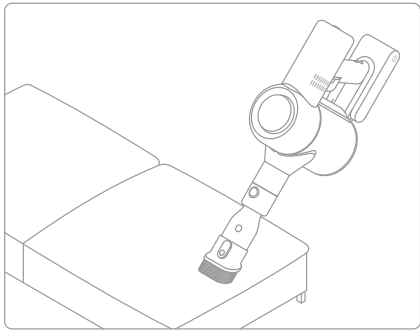
Elektrische Milbenbürste: Durch starke Vibrationen können Matratzen und andere Textiloberflächen gründlich von Milben und Staub gereinigt werden.



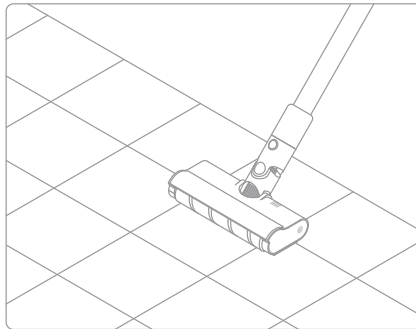
2-in-1 Spaltendüse: Geeignet für das Saugen in Spalten, in Ecken von Türen und Fenstern, auf Treppen und an anderen schwer zugänglichen Stellen.



2-in-1 Bürstendüse: Geeignet für das Aufsaugen von Staub und Milben aus Betten, Sofas und anderen Möbeltextilien.



Weiche Bürstenrolle: Geeignet für das Saugen von harten Oberflächen wie Fußböden, Fliesen, Marmor und zum Aufsaugen von größeren Schmutzpartikeln. Die weiche Bürstenrolle kann auch direkt mit dem Staubsauger verbunden werden.



Hinweis:

1. Falls sich rotierende Teile verkleben, kann es zu einer automatischen Abschaltung des Staubsaugers kommen. Entfernen Sie in diesem Fall eingeklemmte Fremdoobjekte und fahren Sie anschließend mit der Benutzung fort.
2. Bei einer Überhitzung des Motors schaltet sich der Staubsauger automatisch ab. Warten Sie, bis der Motor abgekühlt ist und setzen Sie dann die Benutzung fort.

Pflege und Wartung

Tipps:

1. Verwenden Sie stets Originalteile, um ein Erlöschen der Garantie zu vermeiden.
2. Falls der Filter oder die Düse verstopft sind, wird der Staubsauger kurz nach Einschalten den Betrieb einstellen. Um die Funktion wiederherzustellen, müssen Sie den Filter oder die Düse reinigen.
3. Falls Sie den Staubsauger für längere Zeit nicht nutzen wollen, ziehen Sie das Stromkabel aus der Steckdose und bewahren Sie das Gerät an einem kühlen, trockenen Ort ohne direkte Sonneneinstrahlung auf. Um eine Tiefentladung des Akkus zu vermeiden, sollte der Staubsauger mindestens alle drei Monate geladen werden.

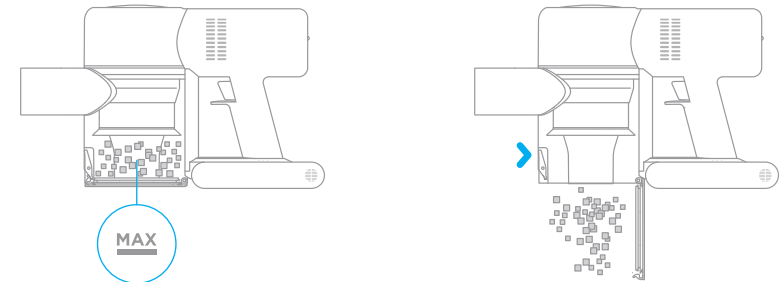
Reinigen des Staubsaugers

Reinigen Sie den Staubsauger mit einem weichen trockenen Tuch.

Den Staubbehälter reinigen

Bevor Sie den Staubbehälter reinigen, müssen Sie ihn vom Ladegerät trennen und den Schalter des Staubsaugers auf „Aus“ schalten. Die Saugleistung des Staubsaugers wird gemindert, wenn das Staubfach bis zur Markierung „MAX“ gefüllt ist. Um die volle Leistung wiederherzustellen, müssen Sie das Staubfach leeren.

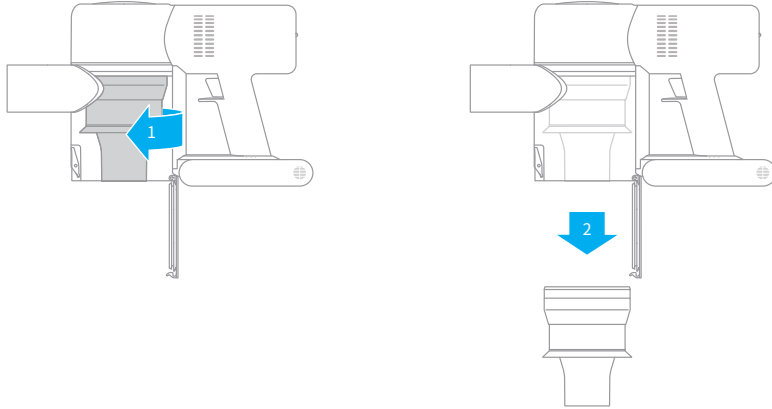
Um das Staubfach zu leeren: Drücken Sie die Freigabetaste auf der Unterseite des Staubfachs und leeren Sie seinen Inhalt.



Pflege und Wartung

Reinigung der Cyclone-Baugruppe

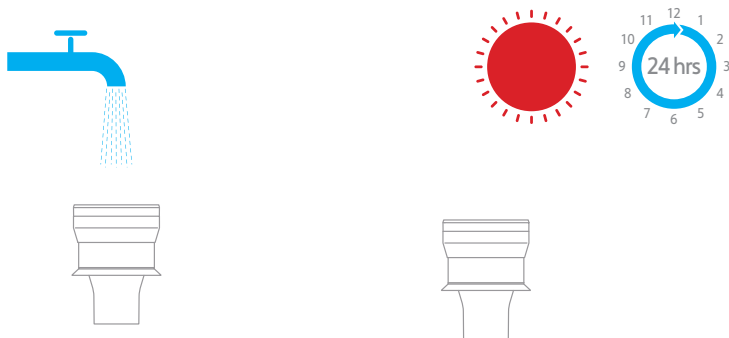
1. Drehen Sie die Cyclone-Baugruppe in die angegebene Richtung, um die Verriegelung zu lösen. Entfernen Sie die Cyclone-Baugruppe.



2. Spülen Sie die Cyclone-Baugruppe mit Wasser, bis sie sauber ist. Um eine gründliche Trocknung der Cyclone-Baugruppe zu gewährleisten, sollten Sie diese an einem gut belüfteten oder trockenen Ort für mindestens 24 Stunden aufbewahren.

Achtung: die Cyclone Baugruppe darf nicht in einer Spülmaschine oder einer Waschmaschine gereinigt werden. Die Trocknung in einem Wäschetrockner, Ofen, einer Mikrowelle oder in der Nähe eines offenen Feuers ist ebenfalls verboten.

3. Nachdem die Cyclone-Baugruppe getrocknet ist, muss diese wieder montiert werden.

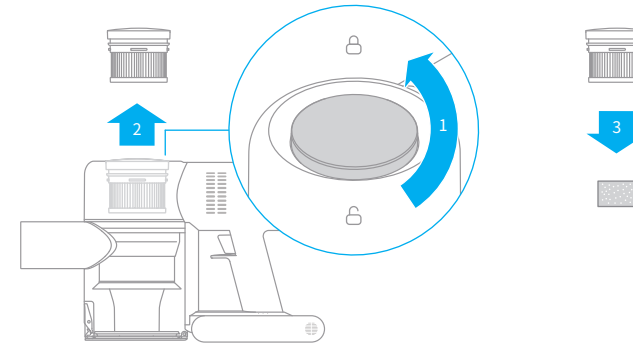


Pflege und Wartung

Reinigung der HEPA-Filtereinheit

1. Platzieren Sie den Staubsauger sicher auf einer flachen Oberfläche, drehen Sie die Abdeckung der HEPA-Filtereinheit in die angegebene Richtung und entfernen Sie die HEPA-Filtereinheit.

Achtung: Entfernen Sie das eingebaute Schaumpad, bevor Sie die HEPA-Filtereinheit reinigen. Spülen Sie den HEPA-Filter und das Schaumpad mit Wasser.



2. Spülen Sie den HEPA-Filter und das Schaumpad mit Wasser. Um sämtlichen im Filter enthaltenen Staub gründlich zu entfernen, drehen Sie den HEPA-Filter während des Spülvorgangs um 360 Grad. Tippen Sie den Filter wiederholt leicht gegen das Spülbecken, um Verschmutzungen zu lösen.

Bewahren Sie den HEPA-Filter an einem gut belüfteten und kühlen Ort auf, um eine vollständige Trocknung zu gewährleisten.

Hinweis: Der Filter sollte vor der erneuten Installation vollständig getrocknet werden (mindestens 24 Stunden).



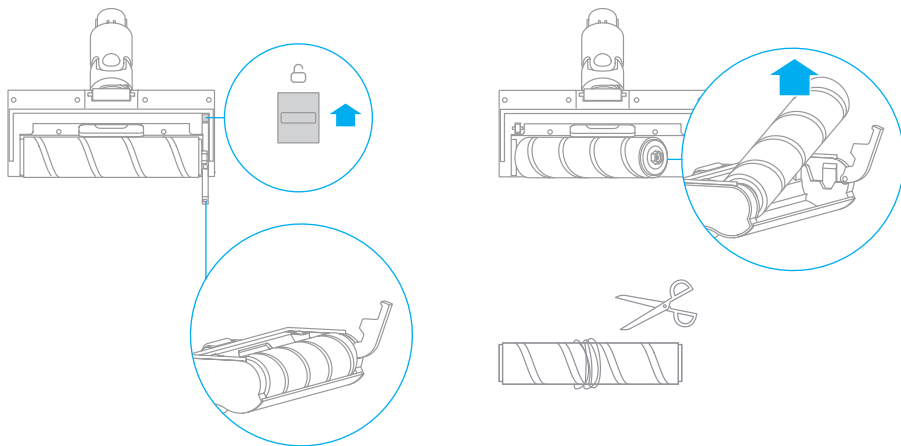
Pflege und Wartung

Reinigung der weichen Bürstenrolle und der elektrischen Milbenbürste

Hinweis: Um eine Verletzung durch eine versehentliche Aktivierung des Staubsaugers zu vermeiden, müssen Sie vor der Demontage des Bürstenkopfes sicherstellen, dass die weiche Bürstenrolle bzw. die elektrische Milbenbürste zuerst vom Staubsauger entfernt worden ist. Die Milbenbürste und die weiche Bürstenrolle enthalten elektrische Komponenten und der Bürstenkopf der weichen Bürstenrolle enthält außerdem Lager. Diese Teile dürfen nicht mit Wasser in Kontakt gebracht werden. Achten Sie bei der Entfernung von Verschmutzungen aus dem Bürstenkopf der Milbenbürste und der weichen Bürstenrolle auf scharfe Objekte.

Reinigung der weichen Bürstenrolle

1. Schieben Sie den Freigabeschalter der Bürstenrolle in die Pfeilrichtung bis sich die Abdeckung der Bürstenrolle öffnet. Entfernen Sie anschließend den Bürstenkopf, indem Sie ihn in die angegebene Richtung heben.
2. Nachdem Sie die weiche Bürstenrolle gereinigt haben, montieren Sie diese wieder, indem Sie die Schritte zum Ausbau in umgekehrter Reihenfolge ausführen.

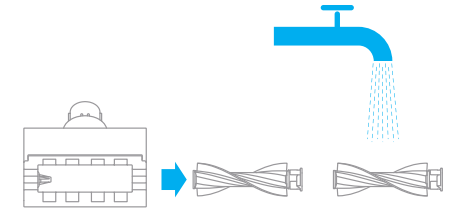
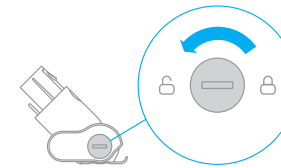


Pflege und Wartung

Reinigung der elektrischen Milbenbürste

1. Drehen Sie mit Hilfe einer Münze die Verriegelung gegen den Uhrzeigersinn bis zum Klick (siehe Abbildung).

2. Nachdem Sie den Bürstenkopf entriegelt haben, entfernen Sie ihn von der elektrischen Milbenbürste. Spülen und reinigen Sie den Bürstenkopf.



3. Der Bürstenkopf sollte für mindestens 24 Stunden aufrecht an einem gut belüfteten Ort stehen, bis er vollständig getrocknet ist.

4. Nachdem die weiche Bürstenrolle getrocknet ist, montieren Sie diese erneut, indem Sie diese Schritte in umgekehrter Reihenfolge durchführen.



Falls der Staubsauger nicht korrekt funktionieren sollte, beachten Sie bitte die folgende Tabelle, um eine Problemlösung zu finden.

Fehler	Mögliche Ursachen	Lösungen
Staubsauger funktioniert nicht	Der Akku des Staubsaugers ist leer oder fast leer.	Laden Sie den Staubsauger vollständig auf und versuchen Sie es erneut.
	Durch eine Blockade wurde der Überhitzungsschutz ausgelöst.	Warten Sie, bis der Staubsauger abgekühlt ist und versuchen Sie es dann erneut.
	Saugöffnung oder Luftöffnung sind blockiert.	Befreien Sie die Ansaugöffnung oder den Strömungsweg von etwaigen Hindernissen.
Schwache Saugleistung	Das Staubfach ist voll und/oder die HEPA-Filtereinheit ist verstopft.	Leeren Sie das Staubfach und reinigen Sie die HEPA-Filtereinheit.
	Das Zubehörteil ist blockiert.	Entfernen Sie Blockaden vom Zubehörteil.
Der Motor gibt ein merkwürdiges Geräusch ab	Die Hauptsaugöffnung oder das Verlängerungsrohr sind verstopft.	Entfernen Sie Verstopfungen aus der Hauptsaugöffnung oder dem Verlängerungsrohr.
Das erste Anzeigelicht ist nach Einschalten des Staubsaugers rot	Der Akku ist beschädigt.	Wenden Sie sich bitte zur Wartung an den Kundendienst.
Nach Einschalten des Staubsaugers blinkt das erste Anzeigelicht rot.	Das Ladegerät ist nicht kompatibel.	Benutzen Sie das Originalladegerät, um den Staubsauger aufzuladen.
Die Akkuanzeige leuchtet während des Ladevorgangs nicht auf	Das Ladegerät ist nicht mit dem Staubsauger verbunden.	Vergewissern Sie sich, dass das Ladegerät korrekt angeschlossen ist.
	Der Akku ist vollständig geladen und ist in den Energiesparmodus gewechselt.	Kann normal genutzt werden.
	Falls das Problem fortbesteht, nachdem Sie diese zwei Möglichkeiten ausgeschlossen haben,	Wenden Sie sich bitte zur Wartung an den Kundendienst.
Ladevorgang ist sehr langsam	Die Temperatur des Akkus ist zu hoch oder zu niedrig.	Warten Sie, bis die Akkutemperatur sich normalisiert hat und setzen Sie dann die Benutzung fort.

Dieses Produkt enthält Akkus, die nur von qualifizierten Technikern oder dem Kundendienst ausgewechselt werden können.

Dieses Produkt enthält Akkus, die nicht ausgewechselt werden können.

WEEE-Informationen



Alle mit diesem Symbol gekennzeichneten Produkte sind Elektroschrott und Elektrogeräte (WEEE entsprechend EU-Richtlinie 2012/19/EU) und dürfen nicht mit unsortiertem Haushaltsmüll vermischt werden. Schützen Sie stattdessen Ihre Mitmenschen und die Umwelt, indem Sie Ihre zu entsorgenden Geräte an eine dafür vorgesehene, von der Regierung oder einer lokalen Behörde eingerichtete Sammelstelle zum Recycling von Elektroschrott und Elektrogeräten bringen. Eine ordnungsgemäße Entsorgung und Recycling helfen, negative Auswirkungen auf die Gesundheit von Umwelt und Menschen zu vermeiden. Wenden Sie sich bitte an den Installateur oder lokale Behörden, um Informationen zum Standort und den allgemeinen Geschäftsbedingungen solcher Sammelstellen zu erhalten.

Инструкции по технике безопасности

Во избежание несчастных случаев, включая поражение электрическим током и возгорание в результате неправильного использования, внимательно прочтите это руководство перед использованием устройства и сохраните его на будущее для справки.

Осторожно

Дети старше 8 лет и люди с ограниченными физическими, сенсорными и умственными способностями, а также лица с недостаточным опытом и знаниями могут использовать данный продукт под присмотром родителя или опекуна, который может обеспечить безопасную эксплуатацию и предотвратить опасности. Дети не должны чистить устройство и выполнять другие действия по уходу за ним без присмотра взрослых.

Пылесос не игрушка. Дети не должны играть с устройством или использовать его. Будьте осторожны при использовании пылесоса рядом с детьми. Не разрешайте детям чистить устройство и выполнять другие действия по уходу за ним без присмотра родителя или опекуна.

Не используйте пылесос на улице или на влажных поверхностях. Используйте его только на сухих поверхностях в помещении. Не прикасайтесь к розетке или любой части пылесоса влажными руками.

Чтобы снизить риски возгорания, взрыва или травмирования, перед использованием убедитесь, что литиевый аккумулятор и адаптер питания не повреждены. В случае обнаружения повреждений не используйте пылесос.

Щетка с мягким валиком, аккумулятор, металлический соединительный штифт и пылесос проводят электричество, поэтому их не следует погружать в воду или другую жидкость. Сушите все фильтры после чистки.

Чтобы избежать травмирования движущимися частями, отключите пылесос перед очисткой щетки с мягким валиком. Перед использованием пылесоса следует правильно установить щетку с мягким валиком, отсек для пыли и фильтр.

Используйте только оригинальное зарядное устройство. Никогда не используйте неоригинальное зарядное устройство, поскольку это может привести к возгоранию литиевого аккумулятора.

Не используйте пылесос для сбора легковоспламеняющихся и горючих жидкостей, таких как бензин, отбеливатели, аммиак, очистители труб и т. д.

Не используйте пылесос для сбора частиц гипсокартона, пепла (например, от камина) и дымящихся или горящих материалов (например, угля, окурков или спичек).

Не используйте пылесос для сбора острых и твердых предметов, таких как стекло, гвозди, винты или монеты, которые могут повредить устройство.

Не допускайте попадания волос, свободной одежды, пальцев и других частей тела в отверстия и движущиеся части пылесоса. Не направляйте шланг, трубку или инструменты в сторону глаз или ушей и не кладите их себе в рот.

Не кладите предметы в отверстия пылесоса. Не используйте пылесос, если какое-либо отверстие заблокировано. Не допускайте попадания пыли, пуха, волос или других предметов, которые могут уменьшить поток воздуха.

Не оставляйте пылесос на стуле, столе или других неустойчивых поверхностях, поскольку это может стать причиной повреждения устройства или травмы. Если пылесос был поврежден в результате падения или имеет другую неисправность, обратитесь в наш авторизованный сервисный центр. Не пытайтесь разобрать устройство самостоятельно.

Необходимо строго следовать всем инструкциям по зарядке аккумулятора, описанным в этом руководстве. Неправильная зарядка аккумулятора вне указанного температурного диапазона может стать причиной его повреждения.

Используйте только одобренные компанией Dreame принадлежности и сменные детали.

Не используйте пылесос, если в него не установлены чистый отсек для пыли и фильтр.

Убедитесь, что пылесос отключен, если он не используется в течение длительного периода времени, а также перед выполнением какого-либо обслуживания или ремонта.

Будьте особенно осторожны при использовании пылесоса на лестнице.

Не устанавливайте, не заряжайте и не используйте это устройство на улице, в ванных комнатах и на территории вокруг бассейна.

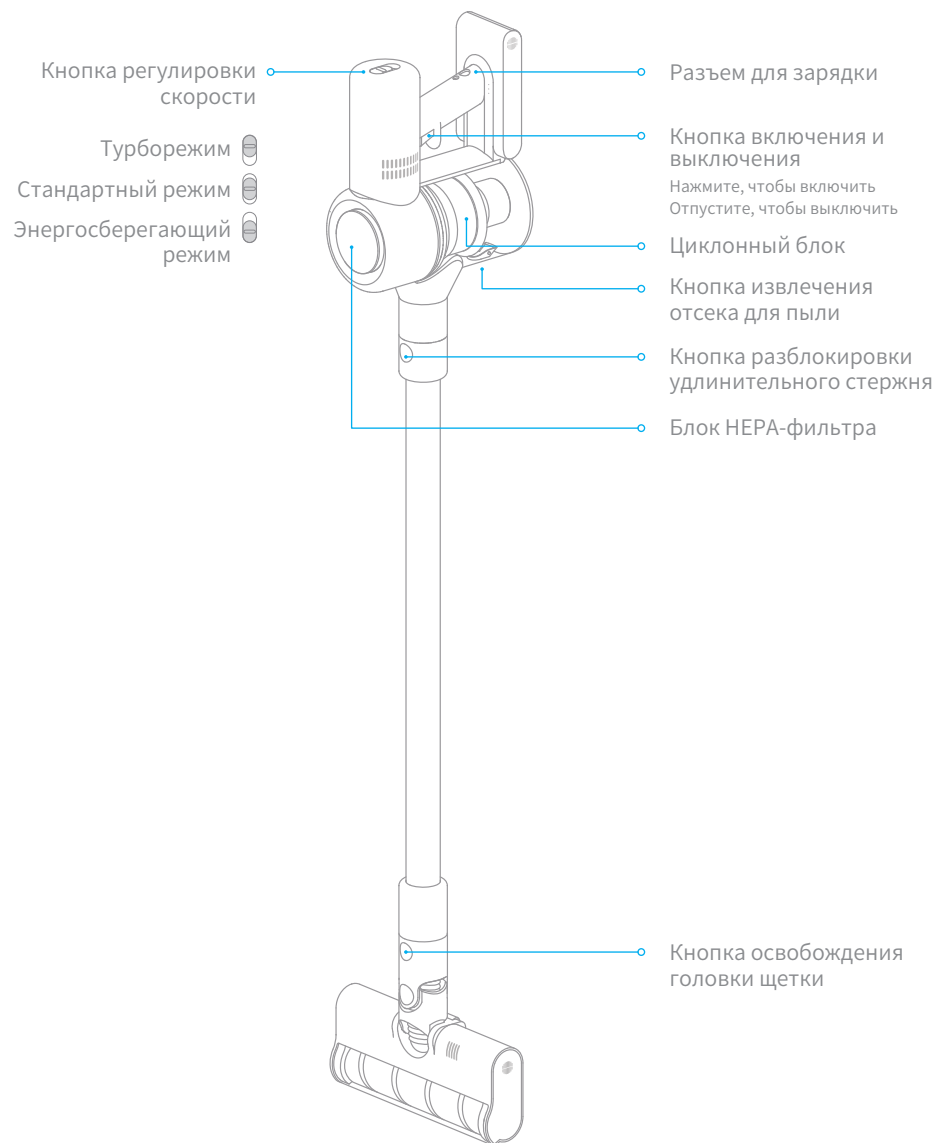
Опасность возгорания. Не используйте ароматизаторы для фильтра пылесоса. Данный тип продуктов содержит легковоспламеняющиеся химикаты, которые могут стать причиной возгорания пылесоса.

Это устройство создано исключительно для бытового использования.

Мы, компания Dreame Trading (Tianjin) Co., Ltd. настоящим заявляем, что данное оборудование соответствует требованиям всех действующих директив ЕС и европейских стандартов с изменениями и дополнениями. Полный текст декларации о соответствии нормативным требованиям ЕС доступен по следующему адресу: www.dreame-technology.com

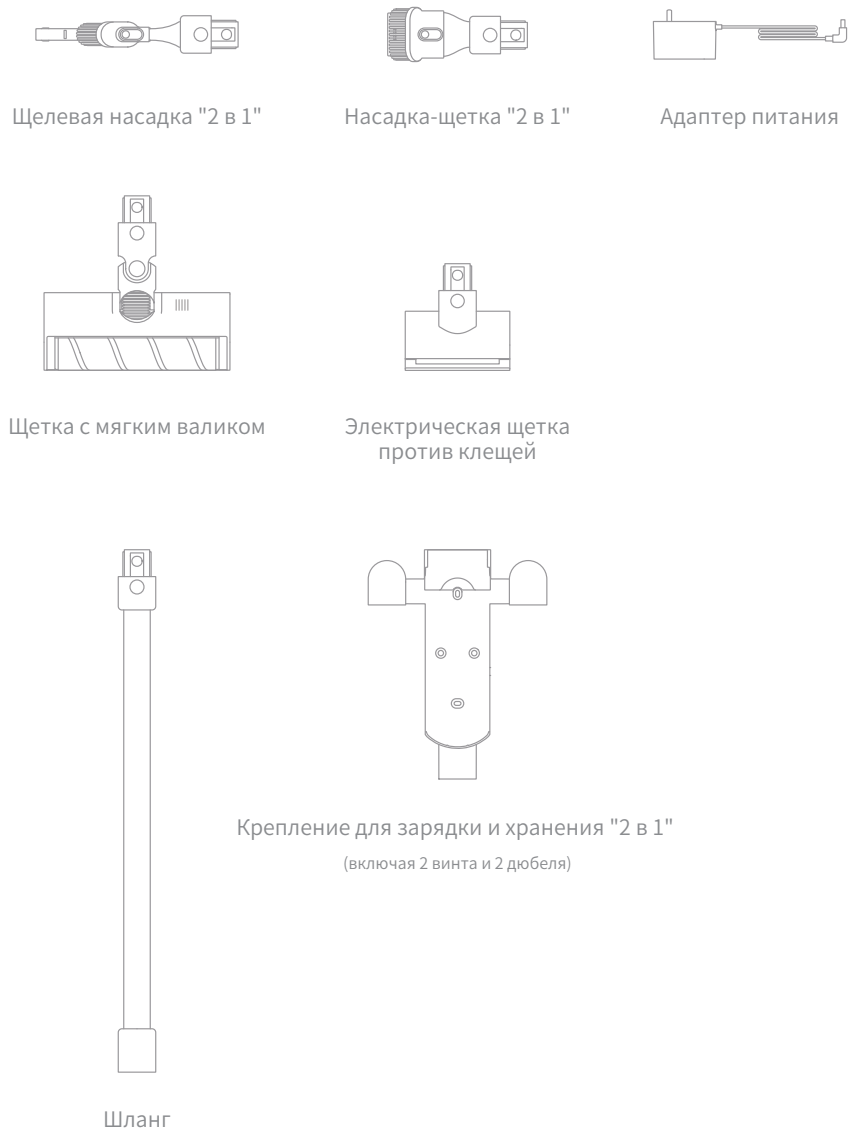
Обзор устройства

Наименования деталей



Обзор устройства

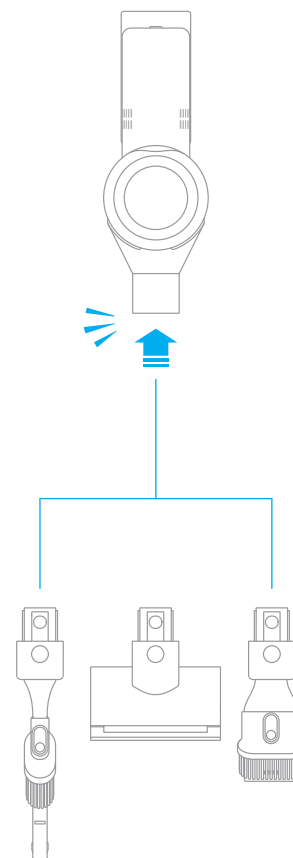
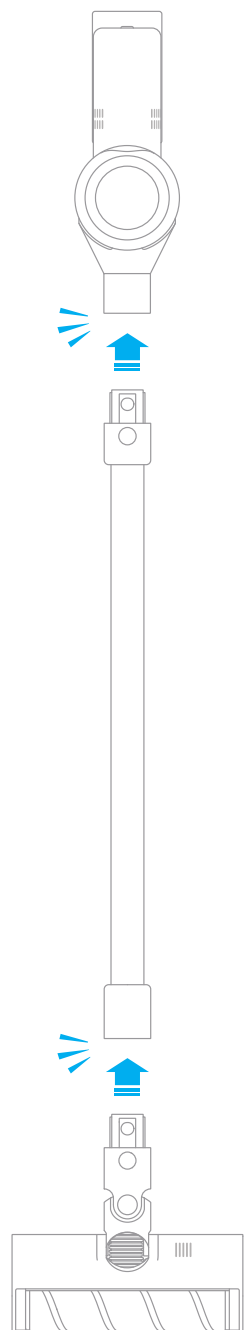
Аксессуары



Установка

Схема установки пылесоса и аксессуаров

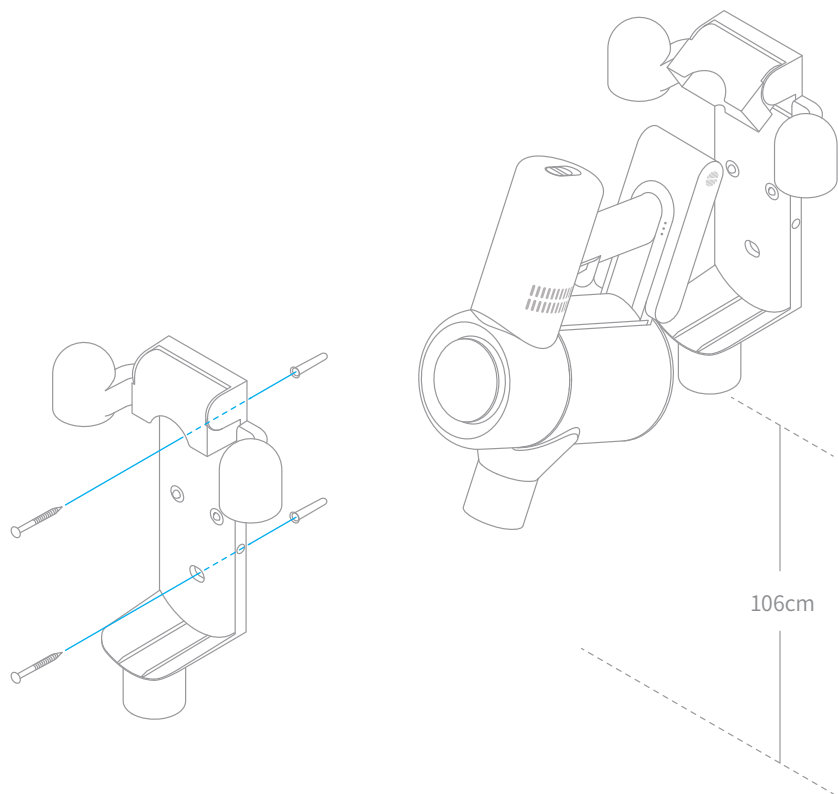
 Вставляйте, пока не услышите щелчок



Установка

Установка крепления для зарядки и хранения "2 в 1"

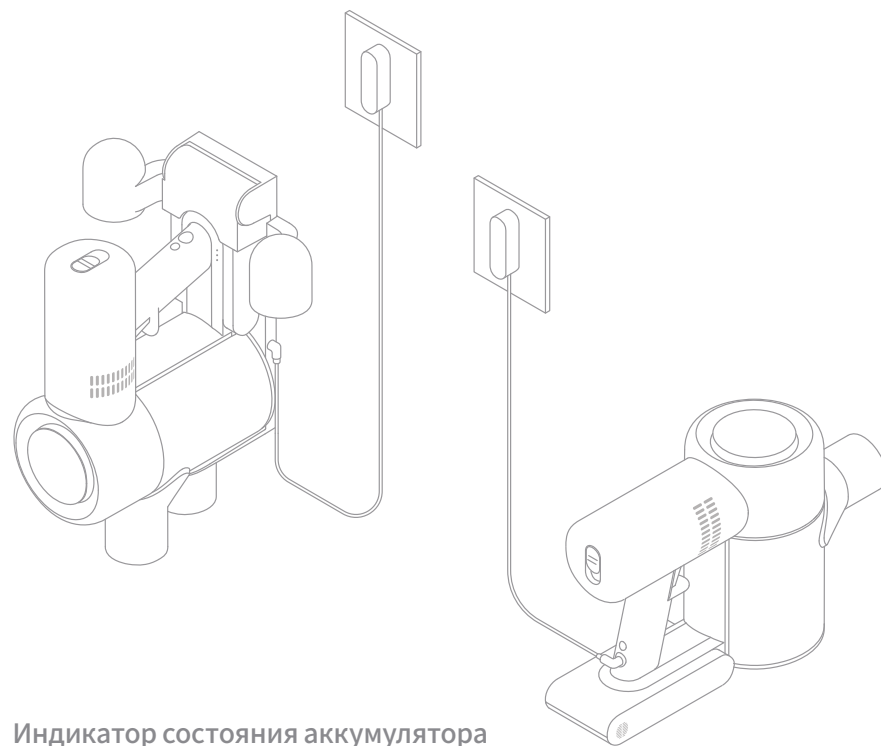
1. Крепление для зарядки и хранения "2 в 1" — это дополнительный аксессуар, который можно установить при необходимости.
2. Крепление следует устанавливать в сухом прохладном месте, рядом с розеткой, вдали от прямых солнечных лучей и подверженных воздействию влаги областей, таких как кухня.
3. Надежно установите крепление с помощью подходящего для выбранного типа стены монтажного оборудования. Убедитесь, что в области установки нет газовых и водопроводных труб, вентиляционных шахт, электрических проводов, кабелей или дренажных труб.
4. Для установки крепления рекомендуется нанять профессионала и при необходимости использовать защитную одежду, защитные очки и другое защитное оборудование.
5. С помощью электрической дрели отметьте и просверлите в нужном месте на стене два отверстия диаметром 8 мм и глубиной около 30 мм. Вставьте дюбели в отверстия, установите крепление и прикрепите его к стене винтами из комплекта.



Инструкция

Примечание.

1. Перед первым использованием полностью зарядите пылесос. Это займет около 4 часов.
2. Не используйте пылесос во время зарядки.
3. Продолжительное использование пылесоса в турборежиме приводит к нагреванию аккумулятора и увеличению времени зарядки. Подождите 30 минут, чтобы пылесос остыл, прежде чем заряжать его.



Индикатор состояния аккумулятора

● Выкл. ☀ Мигание ○ Вкл.

● ● ☀ Низкий уровень заряда аккумулятора

● ☀ ○ Средний уровень заряда аккумулятора

☀ ○ ○ Почти полный уровень заряда аккумулятора

○ ○ ○ Полный уровень заряда аккумулятора

● ● ● Полный уровень заряда аккумулятора

Примечание. Индикатор погаснет через 5 минут после полной зарядки аккумулятора, а пылесос перейдет в энергосберегающий режим.

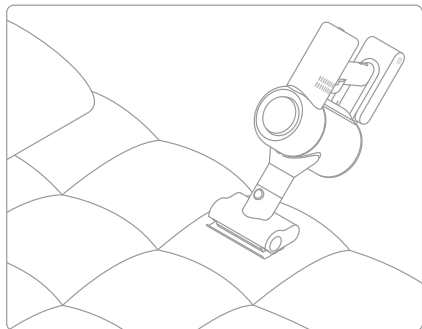
Прежде чем приступить к работе, прочтите инструкции по технике безопасности в этом руководстве пользователя.

Инструкция

Использование разных насадок

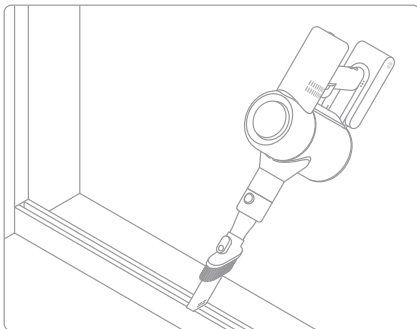
Электрическая щетка против клещей:

сильные вибрации обеспечивают глубокое очищение для удаления клещей и пыли с матрасов и тканевых поверхностей.



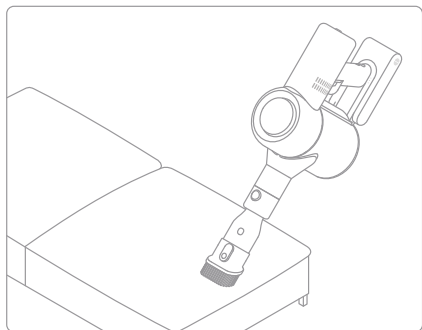
Щелевая насадка "2 в 1":

подходит для уборки в трещинах, углах дверей и окон, на лестницах и в других труднодоступных местах.



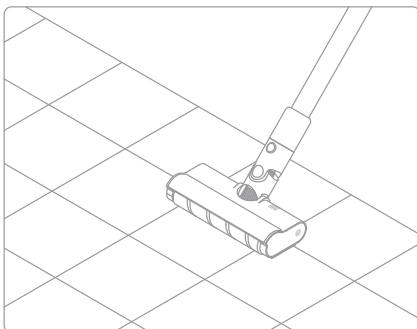
Насадка-щетка "2 в 1":

подходит для уборки пыли и клещей с кроватей, диванов и другой мебели ткани.



Щетка с мягким валиком:

подходит для уборки твердых поверхностей, таких как пол, плитка, мрамор, а также для уборки крупных кусков грязи и мусора. Кроме того, щетку с мягким валиком можно прикрепить прямо к пылесосу.



Примечание.

Если какая-либо из вращающихся частей застрянет, пылесос может автоматически выключиться. Чтобы продолжить использование, удалите все посторонние предметы.

Пылесос автоматически выключится, когда двигатель перейдет в режим защиты от перегрева. Подождите, пока температура двигателя нормализуется, прежде чем продолжить использование.

Уход и техническое обслуживание

Советы.

1. Используйте оригинальные запчасти, иначе гарантия может быть аннулирована.
2. Если фильтр или насадка засорены, пылесос прекратит работать сразу после включения. Очистите фильтр или насадку, чтобы продолжить работу.
3. Если пылесос не будет использоваться в течение длительного периода времени, отключите адаптер питания от розетки при полной зарядке и храните его в прохладной среде с низким уровнем влажности вдали от прямых солнечных лучей. Чтобы избежать повреждения аккумулятора из-за чрезмерной разрядки, подзаряжайте пылесос не реже одного раза в 3 месяца.

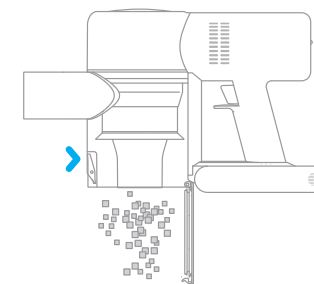
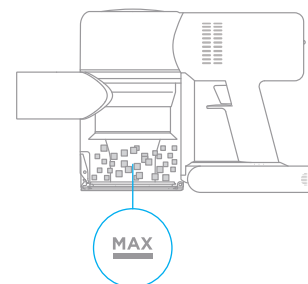
Чистка пылесоса

Протрите пылесос мягкой сухой тканью.

Очистка отсека для пыли

Отсоедините адаптер питания и переключите выключатель питания пылесоса в положение "Выкл.". Работа пылесоса ухудшится, когда отсек для пыли будет заполнен до отметки "MAX". Очистите отсек для пыли, чтобы восстановить нормальную работу.

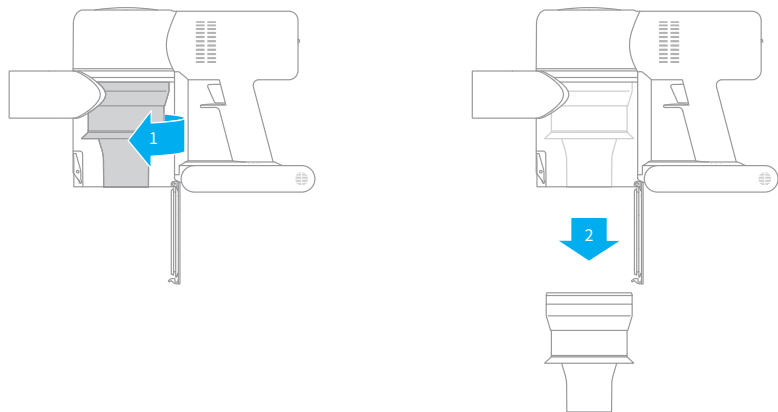
Чтобы очистить отсек для пыли, нажмите кнопку извлечения в нижней части отсека, а затем опустошите его содержимое.



Уход и техническое обслуживание

Очистка циклонного блока

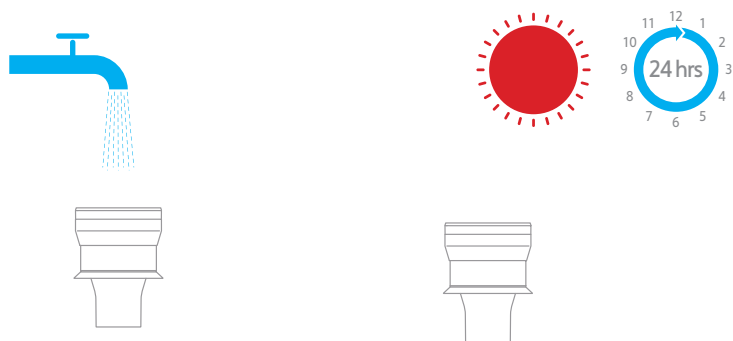
1. Поверните циклонный блок в указанном направлении, чтобы разблокировать, а затем снимите его.



2. Промывайте циклонный блок водой, пока он не станет чистым. Чтобы тщательно просушить циклонный блок, оставьте его в прохладном, хорошо проветриваемом помещении по крайней мере на 24 часа.

Внимание! Не мойте циклонный блок в посудомоечной или стиральной машине, не пытайтесь сушить его в сушилке, печи, микроволновой печи или у открытого огня.

3. Когда циклонный блок высохнет, установите его на место.

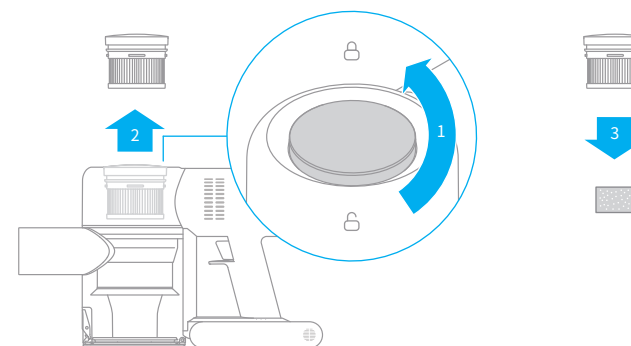


Уход и техническое обслуживание

Очистка блока HEPA-фильтра

1. Поместите пылесос на безопасную, ровную поверхность, затем поверните крышку блока HEPA-фильтра в указанном направлении и снимите его.

Примечание. Перед очисткой блока HEPA-фильтра снимите встроенную пенопластовую прокладку. Промойте HEPA-фильтр и пенопластовую прокладку водой.



2. Промойте HEPA-фильтр и пенопластовую прокладку водой. Чтобы тщательно удалить всю забившуюся пыль, во время мытья поворачивайте HEPA-фильтр по кругу. Слегка постучите фильтром по раковине несколько раз, чтобы удалить оставшийся мусор. Оставьте HEPA-фильтр в прохладном, хорошо проветриваемом месте, чтобы он полностью высох.

Примечание. Полностью высушите фильтр (в течение по крайней мере 24 часов) перед тем, как установить его на место.



Уход и техническое обслуживание

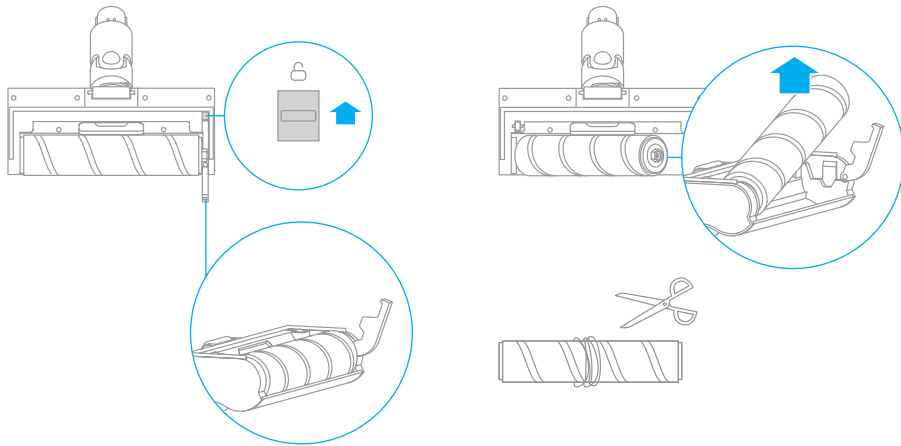
Очистка щетки с мягким валиком и электрической щетки против клещей

Примечание. Во избежание травм, вызванных случайным включением пылесоса, прежде чем снимать головку, убедитесь, что щетка с мягким валиком или электрическая щетка против клещей отсоединены от пылесоса. Щетка против клещей и щетка с мягким валиком содержат электрические компоненты, а головка щетки с мягким валиком также содержит подшипники. Не промывайте эти детали водой. Остерегайтесь острых предметов при удалении мусора, попавшего в головки щетки против клещей и щетки с мягким валиком.

Очистка щетки с мягким валиком

1. Нажмите кнопку извлечения головки щетки в указанном стрелкой направлении и удерживайте, пока крышка головки щетки не откроется, затем снимите ее, подняв в указанном направлении.

2. Чтобы установить щетку с мягким валиком на место после завершения очистки, выполните этапы разборки в обратном порядке.

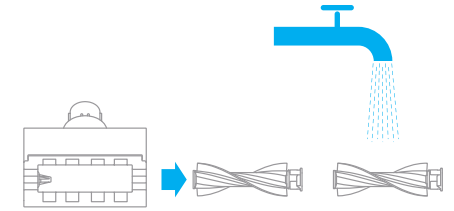
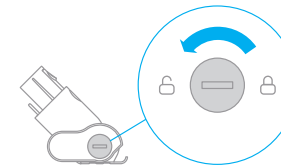


Уход и техническое обслуживание

Очистка электрической щетки против клещей

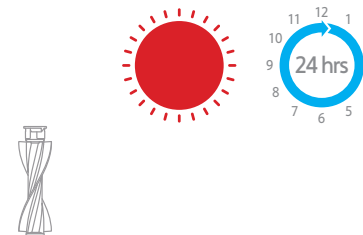
1. С помощью монетки (как показано на рисунке) поверните замок против часовой стрелки до щелчка.

2. Разблокировав головку щетки, снимите ее с электрической щетки против клещей, а затем промойте и почистите.



3. Оставьте головку щетки в вертикальном положении в хорошо проветриваемом помещении по крайней мере на 24 часа, чтобы она полностью высохла.

4. Когда щетка высохнет, установите ее на место, выполнив этапы разборки в обратном порядке.



Вопросы и ответы

Если пылесос не работает должным образом, см. приведенную ниже таблицу устранения неполадок.

Ошибки	Возможные причины	Решения
Пылесос не работает	Пылесос разряжен или имеет низкий уровень заряда аккумулятора.	Полностью зарядите пылесос, а затем продолжите использование.
	Режим защиты от перегрева активирован из-за засорения.	Подождите, пока пылесос остынет, а затем повторно активируйте его.
	Заблокировано отверстие для всасывания или вентиляционный канал.	Очистите отверстие для всасывания или вентиляционный канал от мусора.
Слабая мощность всасывания	Отсек для пыли заполнен или засорен блок HEPA-фильтра.	Опустошите отсек для пыли и очистите блок HEPA-фильтра.
	Насадка заблокирована.	Очистите насадку от мусора.
Двигатель издает странный шум	Основное отверстие для всасывания или шланг заблокированы.	Очистите основное отверстие для всасывания или шланг от мусора.
Первый индикатор горит красным после включения пылесоса	Аккумулятор поврежден.	Обратитесь за помощью в отдел послепродажного обслуживания.
Первый индикатор мигает красным после включения пылесоса.	Адаптер питания несовместим с устройством.	Используйте только оригинальный адаптер питания, чтобы заряжать пылесос.
Индикатор состояния аккумулятора не горит во время зарядки	Адаптер не подключен к пылесосу.	Убедитесь, что адаптер питания подключен правильно.
	Аккумулятор полностью заряжен и перешел в спящий режим.	Устройство можно использовать.
	Если проблема не устраняется после исключения двух вышеупомянутых возможных причин,	Обратитесь за помощью в отдел послепродажного обслуживания.
Устройство заряжается медленно	Слишком низкая или слишком высокая температура аккумулятора.	Подождите, пока температура аккумулятора нормализуется, а затем продолжите использование.

Данное устройство содержит аккумуляторы, которые должны заменять только квалифицированные специалисты или специалисты отдела послепродажного обслуживания.

Данное устройство содержит незаменимые аккумуляторы.

Информация об утилизации и переработке отходов электрического и электронного оборудования



Все изделия, обозначенные символом отдельного сбора отработанного электрического и электронного оборудования (WEEE, директива 2012/19/EU), следует утилизировать отдельно от несортируемых бытовых отходов. С целью охраны здоровья и защиты окружающей среды такое оборудование необходимо сдавать на переработку в специальные пункты приема электрического и электронного оборудования, определенные правительством или местными органами власти. Правильная утилизация и переработка помогут предотвратить возможные негативные последствия для окружающей среды и здоровья человека. Чтобы узнать, где находятся такие пункты сбора и как они работают, обратитесь в компанию, занимающуюся установкой оборудования, или в местные органы власти.

Istruzioni di sicurezza

Per evitare incidenti, come shock elettrico o incendio, causati da un utilizzo improprio, leggere attentamente questo manuale prima dell'utilizzo e conservarlo per riferimento futuro.

Questo prodotto può essere utilizzato da bambini di età superiore a 8 anni e da persone con difficoltà fisiche, sensoriali o intellettuali o con capacità o conoscenza limitate, sotto la supervisione di un genitore o tutore per garantire il corretto utilizzo ed evitare rischi o pericoli. Le operazioni di pulizia e manutenzione non devono essere eseguite da bambini senza supervisione.

L'aspirapolvere non è un giocattolo. Questo prodotto non deve essere utilizzato come gioco o azionato da bambini. Prestare attenzione quando si utilizza l'aspirapolvere in presenza di bambini. Ai bambini non deve essere consentito eseguire operazioni di pulizia o manutenzione sull'aspirapolvere in assenza di un genitore o tutore.

Non utilizzare l'aspirapolvere all'aperto o su superfici bagnate. Utilizzare l'aspirapolvere solo su superfici interne asciutte. Non toccare la spina o qualsiasi parte dell'aspirapolvere con le mani bagnate.

Per ridurre il rischio di incendio, esplosione o lesioni, verificare che la batteria al litio e l'alimentatore di ricarica non siano danneggiati prima dell'uso. Non utilizzare l'aspirapolvere se la batteria al litio o il caricabatterie è danneggiato.

La spazzola morbida a rullo, la batteria, il pin del connettore metallico e l'aspirapolvere conducono elettricità e non devono essere immersi in acqua o altri liquidi. Assicurarsi di asciugare tutti i filtri dopo la pulizia.

Per evitare lesioni causate da parti in movimento, spegnere l'aspirapolvere prima di pulire la spazzola morbida a rullo. La spazzola morbida a rullo, lo scomparto raccogli polvere e il filtro devono essere installati correttamente prima di utilizzare l'aspirapolvere.

Utilizzare solo l'alimentatore di ricarica originale. Non utilizzare mai un alimentatore non originale, in quanto la batteria al litio potrebbe prendere fuoco.

Non utilizzare l'aspirapolvere per raccogliere liquidi infiammabili o combustibili, come benzina, candeggina, ammoniaca, prodotti per la pulizia degli scarichi o altri liquidi.

Non utilizzare l'aspirapolvere per raccogliere parti di muro, ceneri come la cenere del camino o materiali incandescenti come carbone, mozziconi di sigaretta o fiammiferi.

Non utilizzare l'aspirapolvere per raccogliere oggetti duri o taglienti, come vetro, unghie, viti o monete, che potrebbero danneggiarlo.

Tenere lontani capelli, abiti larghi, dita e altre parti del corpo dalle bocchette e dalle parti in movimento dell'aspirapolvere. Non puntare il tubo, la prolunga o gli strumenti verso gli occhi o le orecchie, né metterli in bocca.

Non inserire oggetti nelle bocchette dell'aspirapolvere. Non utilizzare l'aspirapolvere con le bocchette ostruite. Rimuovere polvere, lanugine, capelli o altri elementi che potrebbero ridurre il flusso dell'aria.

Non appoggiare l'aspirapolvere contro una sedia, un tavolo o altre superfici instabili per evitare il rischio di danni all'apparecchiatura o lesioni personali. In caso di danneggiamento dell'aspirapolvere da caduta o altro malfunzionamento, contattare il nostro reparto assistenza autorizzato. Non tentare mai di smontare autonomamente il dispositivo.

Seguire scrupolosamente tutte le istruzioni contenute nel manuale per la ricarica della batteria. Se non viene caricata correttamente entro l'intervallo di temperatura specificato, la batteria potrebbe danneggiarsi.

Usare solo accessori e parti di ricambio approvati da Dreame.

Non utilizzare l'aspirapolvere senza lo scomparto raccogli polvere e il filtro.

Assicurarsi che l'aspirapolvere sia scollegato dalla corrente quando non viene utilizzato per lunghi periodi di tempo e prima di eseguire interventi di manutenzione o riparazioni.

Prestare la massima attenzione quando si utilizza l'aspirapolvere per pulire scale.

Non installare, caricare o utilizzare questo prodotto all'aperto, in stanze da bagno o attorno a una piscina.

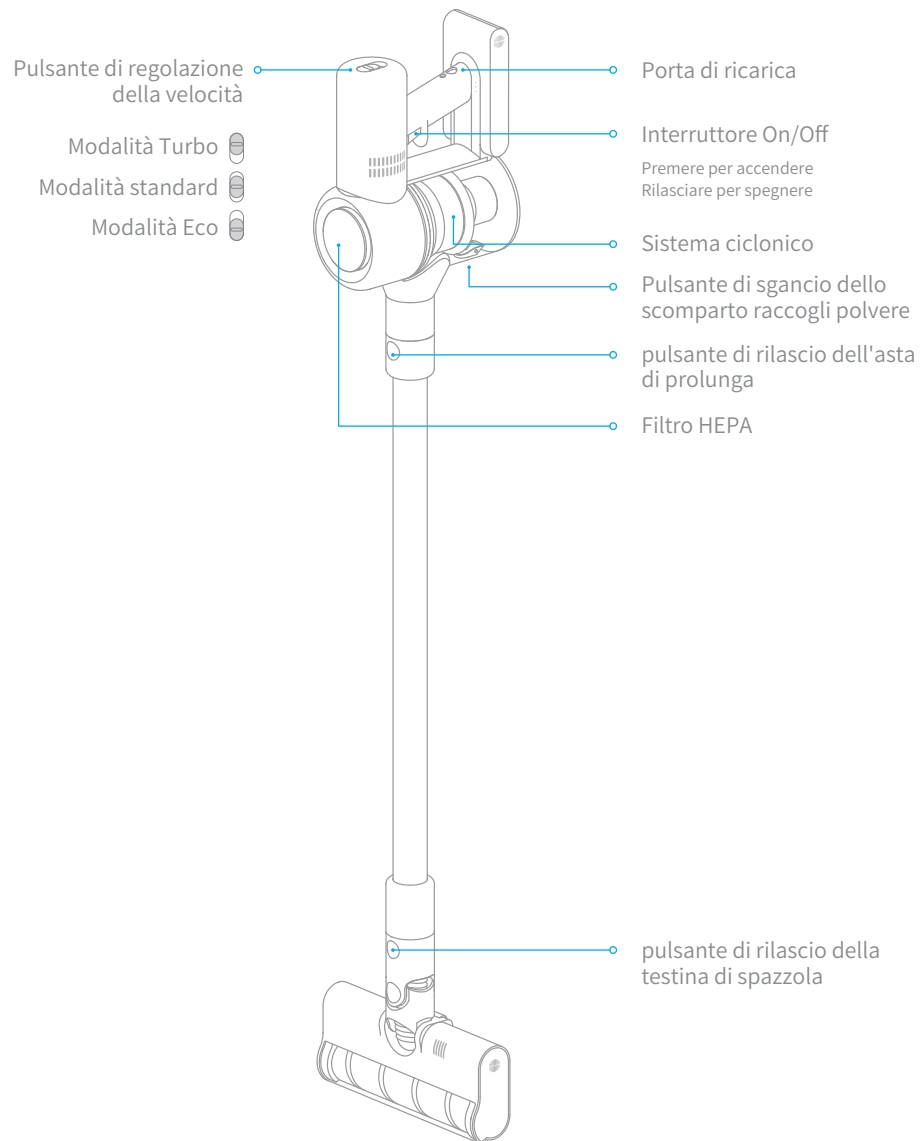
Pericolo di incendio: non applicare alcun tipo di profumo sul filtro dell'aspirapolvere. I prodotti di questo tipo contengono notoriamente sostanze chimiche infiammabili che potrebbero causare l'incendio dell'aspirapolvere.

Questo prodotto è progettato esclusivamente per l'uso domestico.

Nosotros, Dreame Trading (Tianjin) Co., Ltd., por la presente, declaramos que el equipo cumple con las Directivas y Normas Europeas aplicables y las enmiendas. Encontrará el texto completo de la declaración de conformidad de la UE en esta dirección de Internet: www.dreame-technology.com

Panoramica del prodotto

Nomi dei componenti



Panoramica del prodotto

Accessori



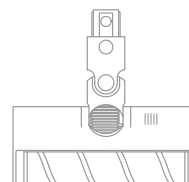
Ugello per fessure 2-in-1



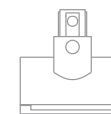
Ugello a spazzola 2-in-1



Alimentatore



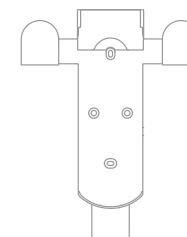
Spazzola morbida a rullo



Spazzola elettrica per acari



Prolunga

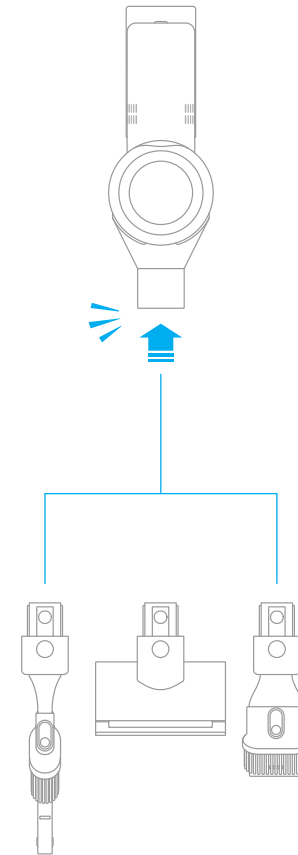
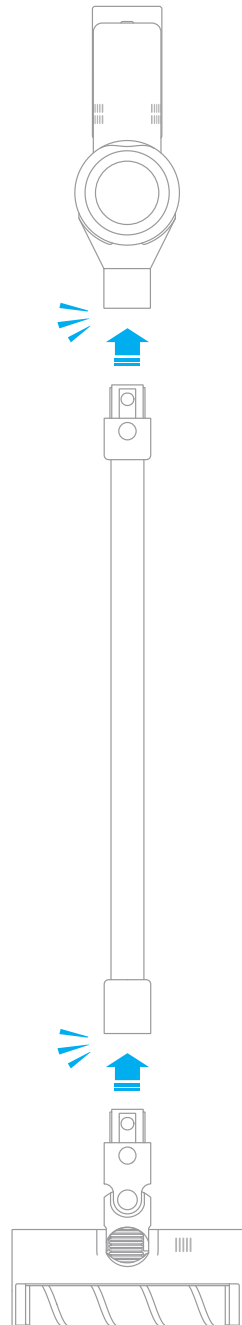


Supporto di ricarica e appoggio 2-in-1
(con 2 viti e 2 tasselli)

Installazione

Diagramma di installazione aspirapolvere e accessori

 Inserire fino a udire un clic che indica il posizionamento corretto

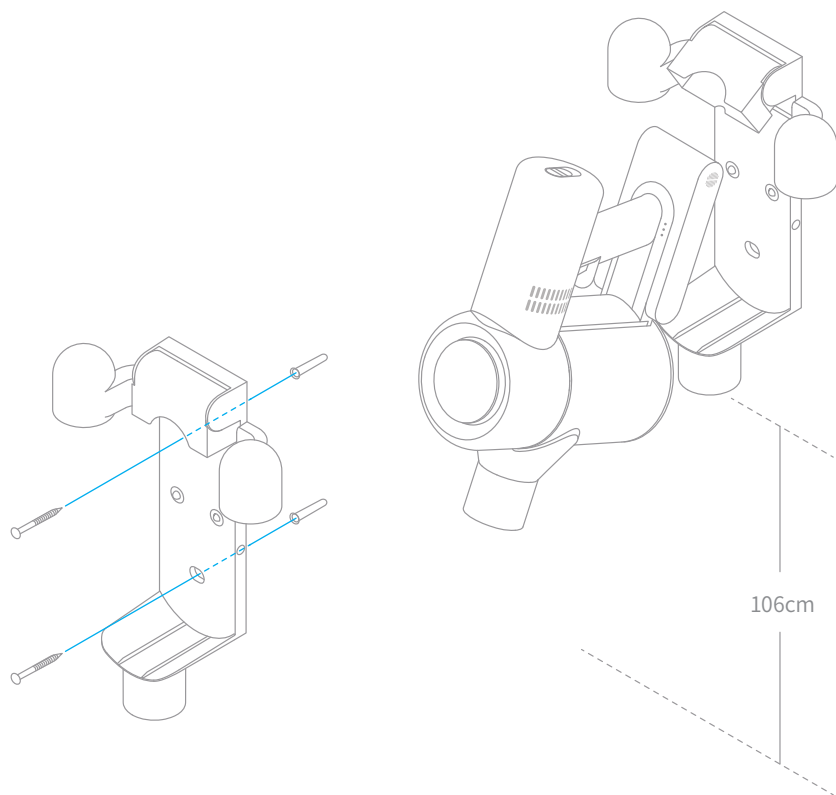


Installazione

Installazione del supporto di ricarica e appoggio 2-in-1

1. Il supporto di ricarica e appoggio 2-in-1 è un accessorio opzionale, che può essere installato in base alle proprie esigenze.
2. Il supporto deve essere installato in un luogo fresco e asciutto in prossimità di una presa di corrente, al riparo dalla luce solare diretta e lontano da zone soggette a umidità, ad esempio una cucina.
3. Fissare saldamente il supporto utilizzando la viteria di montaggio adatta al tipo di parete prescelta. Accertarsi che l'area di installazione sia priva di tubazioni, come tubi del gas o dell'acqua, condotte di ventilazione, cavi elettrici o tubi di scarico.
4. Si raccomanda di affidare l'installazione a un professionista e di indossare indumenti e occhiali protettivi, nonché altri dispositivi di protezione, ove necessario.
5. Servendosi di un trapano elettrico, segnare e praticare due fori da 8 mm di diametro nella parete nel punto desiderato fino a una profondità di circa 30 mm. Inserire i tasselli nei fori, posizionare il supporto, quindi fissarlo alla parete con le viti in dotazione.

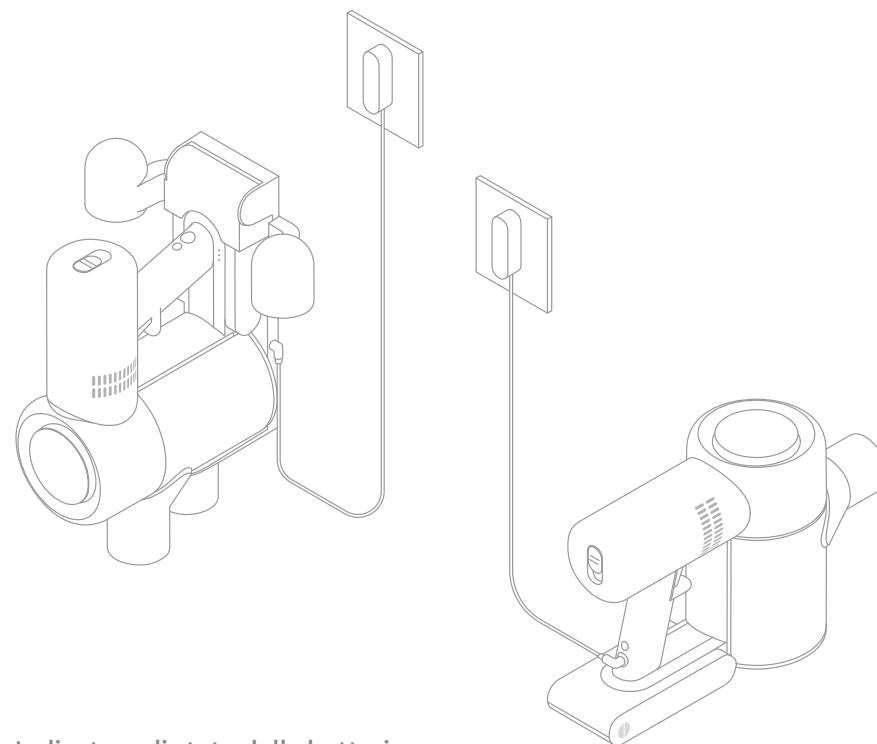
Altezza consigliata: 1,06 metri da terra



Modalità d'utilizzo

Nota:

1. prima del primo utilizzo, caricare completamente l'aspirapolvere. La carica completa richiederà circa 4 ore.
2. Non è possibile utilizzare l'aspirapolvere mentre viene ricaricato.
3. L'aspirazione in modalità turbo per un periodo prolungato determina il riscaldamento della batteria, con conseguente aumento del tempo di ricarica. Lasciare raffreddare l'aspirapolvere per 30 minuti prima di ricaricarlo.



Indicatore di stato della batteria

● Spento ☀ Intermittente ○ Acceso

● ● ☀ Batteria scarica

● ☀ ○ Batteria a metà

☀ ○ ○ Quasi carica

○ ○ ○ Ricarica completata

● ● ● Ricarica completata

Nota: quando l'aspirapolvere è completamente carico, l'indicatore si spegne dopo 5 minuti e viene attivata la modalità di risparmio energetico.

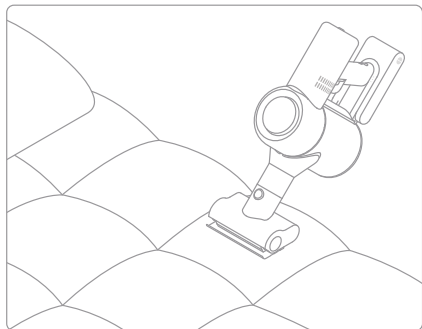
Leggere le Istruzioni di sicurezza riportate in questo manuale prima di procedere.

Modalità d'utilizzo

Uso dei diversi accessori

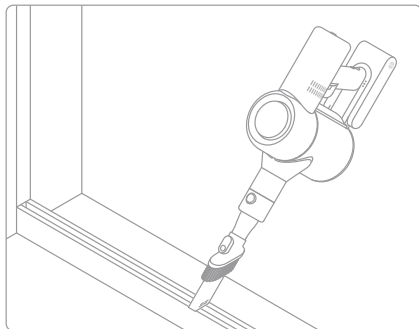
Spazzola elettrica per acari:

Le forti vibrazioni producono una profonda azione pulente per rimuovere acari e polvere da materassi e superfici in tessuto.



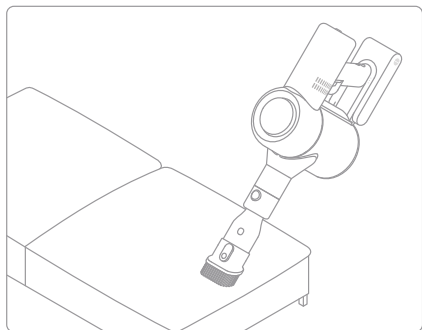
Ugello per fessure 2-in-1:

consente di aspirare in fessure, angoli di porte e finestre, scale e altri punti difficili da raggiungere.



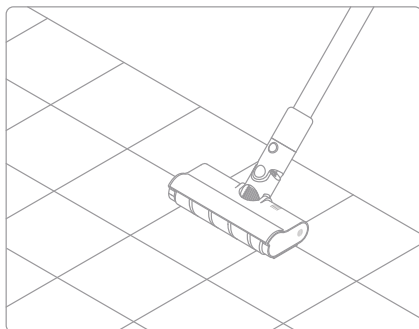
Ugello a spazzola 2-in-1:

consente di aspirare polvere e acari su letti, divani e altri tessuti d'arredo.



Spazzola morbida a rullo:

consente di pulire superfici dure come pavimenti, piastrelle e marmo, nonché di aspirare sporco e detriti di dimensioni maggiori. La spazzola morbida a rullo può anche essere collegata direttamente all'aspirapolvere.



Nota:
se una delle parti rotanti si blocca, l'aspirapolvere potrebbe spegnersi automaticamente. Eliminare eventuali corpi estranei intrappolati, quindi riprendere l'uso.

L'aspirapolvere si spegne automaticamente se il motore entra in modalità di protezione dal surriscaldamento. Attendere che la temperatura del motore sia tornata alla normalità prima di riprendere l'utilizzo.

Cura e manutenzione

Consigli:

1. usare sempre parti originali per evitare che la garanzia decada.
2. Se il filtro o l'ugello si intasa, l'aspiratore smette di funzionare poco dopo l'accensione. Per ripristinare il normale funzionamento, pulire il filtro o l'ugello.
3. Se non si intende utilizzare l'aspirapolvere per un lungo periodo di tempo, caricarlo completamente, scollegarlo dall'alimentatore e riporlo in un luogo fresco e poco umido, al riparo dalla luce solare diretta. Per evitare che la batteria si scarichi eccessivamente, ricaricare l'aspirapolvere almeno una volta ogni 3 mesi.

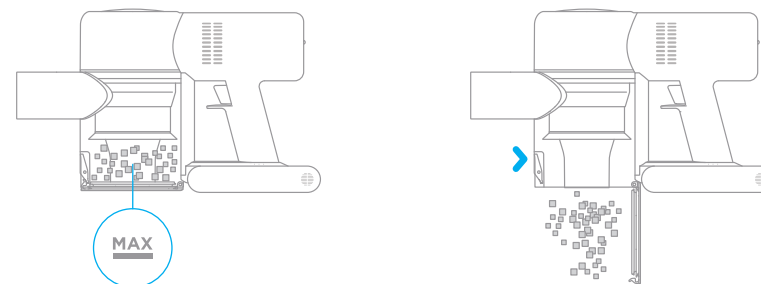
Pulizia dell' aspirapolvere

Strofinare con un panno morbido asciutto.

Pulizia dello scomparto raccogli polvere

Prima di pulire lo scomparto raccogli polvere, scollegare l'alimentatore e tenere l'interruttore di accensione dell'aspirapolvere in posizione Off. La capacità pulente dell'aspirapolvere si riduce se lo scomparto raccogli polvere si riempie fino al segno "MAX". Per aumentare le prestazioni, svuotare lo scomparto.

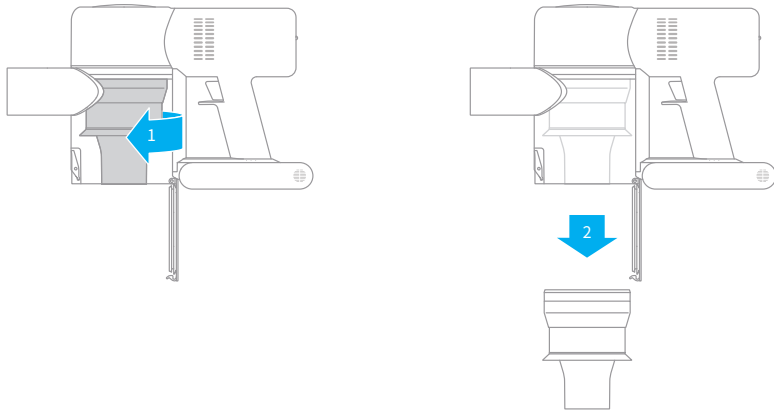
Per svuotare lo scomparto raccogli polvere: premere il pulsante di sgancio sul fondo dello scomparto, quindi svuotarlo.



Cura e manutenzione

Pulizia del sistema ciclonico

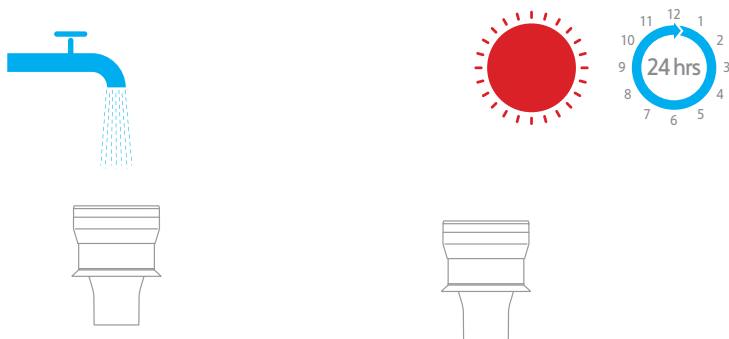
1. Ruotare il sistema ciclonico nella direzione mostrata per sbloccarlo, quindi rimuoverlo.



2. Risciacquare il sistema ciclonico finché non è completamente pulito. Per asciugare perfettamente il sistema ciclonico, riporlo in un luogo fresco e ventilato per almeno 24 ore.

Attenzione: non lavare il sistema ciclonico in lavastoviglie o lavatrice e non tentare di asciugarlo in asciugatrice, forno, forno a microonde o vicino a una fiamma libera.

3. Una volta asciugato, reinstallare il sistema ciclonico.

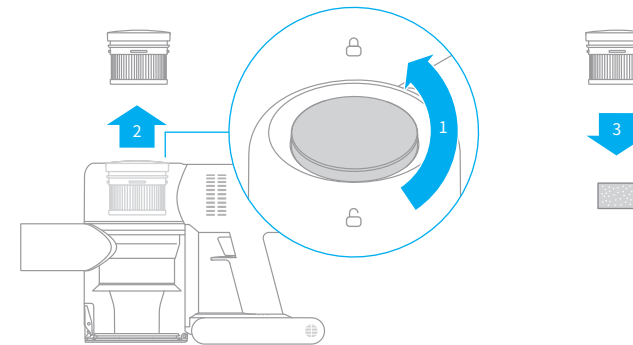


Cura e manutenzione

Pulizia del filtro HEPA

1. Appoggiare l'aspirapolvere su una superficie piana in modo che sia stabile, quindi girare il coperchio del filtro HEPA nella direzione indicata e rimuovere il filtro HEPA.

Nota: rimuovere il cuscinetto in schiuma incorporato prima di pulire il filtro HEPA. Sciacquare il filtro HEPA e il cuscinetto in schiuma con acqua corrente.



2. Risciacquare il filtro HEPA e il cuscinetto in schiuma con acqua corrente. Per rimuovere completamente tutta la polvere intrappolata nel filtro, ruotare il filtro HEPA di 360 gradi durante il risciacquo. Picchiettare leggermente il filtro contro il lavandino più volte per rimuovere tutti gli accumuli.

Lasciare il filtro HEPA in un luogo ben ventilato e fresco per farlo asciugare completamente.

Nota: far asciugare completamente il filtro (almeno 24 ore) prima di reinstallarlo.



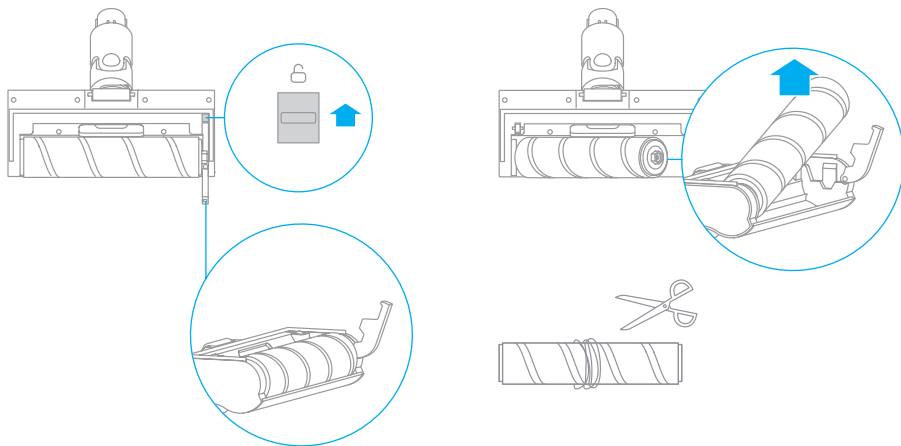
Cura e manutenzione

Pulizia della spazzola morbida a rullo e della spazzola elettrica per acari

Nota: per evitare lesioni causate dall'accensione accidentale dell'aspirapolvere, assicurarsi che la spazzola morbida a rullo o la spazzola elettrica per acari sia staccata dall'aspirapolvere prima di rimuovere la testa. La spazzola per acari e la spazzola morbida a rullo contengono componenti elettrici e la testa della spazzola morbida a rullo contiene anche cuscinetti. Non lavare queste parti con acqua. Prestare attenzione agli oggetti appuntiti quando si rimuovono i residui intrappolati nelle teste della spazzola per acari e della spazzola morbida a rullo.

Pulizia della spazzola morbida a rullo

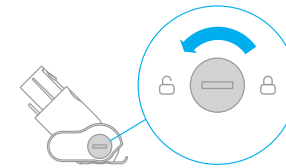
1. Premere il pulsante di sgancio della testa della spazzola nella direzione della freccia finché il coperchio non si apre a scatto, quindi rimuovere la testa della spazzola sollevandola nella direzione indicata.
2. Dopo avere pulito la spazzola morbida a rullo, reinserirla seguendo a ritroso le istruzioni fornite per lo smontaggio.



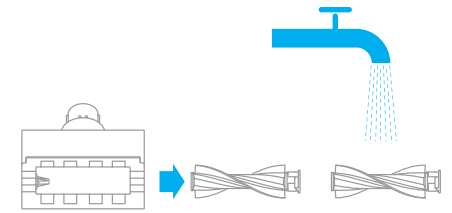
Cura e manutenzione

Pulizia della spazzola elettrica per acari

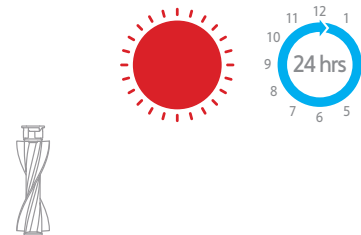
1. Usare una moneta come illustrato per ruotare il blocco in senso antiorario finché non si sente un clic.



2. Dopo aver sbloccato la testa, rimuoverla dalla spazzola elettrica per acari, quindi pulire e risciacquare la testa.



3. Lasciare la testa della spazzola in posizione verticale in un'area ben ventilata per almeno 24 ore finché non è completamente asciutta.



4. Quando è asciutta, reinstallare la spazzola morbida a rullo seguendo a ritroso le istruzioni fornite per lo smontaggio.



Nota: è consigliabile pulire la spazzola elettrica per acari dopo ogni utilizzo.

Se l'aspirapolvere non funziona correttamente, fare riferimento alla tabella di risoluzione dei problemi riportata di seguito.

Errori	Possibili cause	Soluzioni
L'aspirapolvere non funziona	L'aspirapolvere ha la batteria quasi scarica o ha una potenza bassa.	Caricare completamente l'aspirapolvere, quindi riprendere l'uso.
	Modalità di protezione dal surriscaldamento attivata da un'ostruzione.	Attendere che l'aspirapolvere si raffreddi, quindi riattivarlo.
	L'a bocchetta di aspirazione o il passaggio dell'aria è ostruito.	Rimuovere eventuali ostruzioni dalla bocchetta di aspirazione o dal passaggio dell'aria.
L'aspirazione è debole	Lo scomparto raccogli polvere è pieno e/o il filtro HEPA è intasato.	Svuotare lo scomparto raccogli polvere e pulire il filtro HEPA.
	L'accessorio è ostruito.	Eliminare eventuali ostruzioni nell'accessorio.
Il motore emette uno strano rumore	La bocchetta di aspirazione principale o la prolunga è ostruita.	Rimuovere eventuali ostruzioni dalla bocchetta di aspirazione principale o dalla prolunga.
La prima spia è rossa dopo l'accensione dell'aspirapolvere	La batteria è danneggiata.	Contattare il servizio di assistenza post-vendita per la manutenzione.
La prima spia è rossa lampeggiante dopo l'accensione dell'aspirapolvere	L'alimentatore è incompatibile.	Utilizzare solo l'alimentatore originale per caricare l'aspirapolvere.
La spia della batteria non si accende durante la ricarica	L'alimentatore non è collegato all'aspirapolvere.	Verificare che l'alimentatore sia inserito correttamente in una presa.
	La batteria è completamente carica e si è avviata la modalità risparmio energia.	L'apparecchio può essere utilizzato normalmente.
	Se il problema persiste dopo avere escluso le due situazioni indicate sopra,	Contattare il servizio di assistenza post-vendita per la manutenzione.
La ricarica è lenta	La temperatura della batteria è troppo bassa o troppo alta.	Attendere che la temperatura della batteria torni alla normalità, quindi riprendere l'utilizzo.

Questo prodotto contiene batterie che possono essere sostituite solo da un tecnico qualificato o da un centro di assistenza post-vendita.

Questo prodotto contiene batterie non sostituibili.

Informazioni RAEE



Tutti i prodotti contrassegnati da questo simbolo sono rifiuti di apparecchiature elettriche ed elettroniche (RAEE in base alla direttiva 2012/19/UE) che non devono essere smaltiti assieme a rifiuti domestici non differenziati. Al contrario, è necessario proteggere l'ambiente e la salute umana consegnando i rifiuti a un punto di raccolta autorizzato al riciclaggio di rifiuti di apparecchiature elettriche ed elettroniche, predisposto dalla pubblica amministrazione o dalle autorità locali. Lo smaltimento e il riciclaggio corretti aiutano a prevenire conseguenze potenzialmente negative all'ambiente e alla salute umana. Contattare l'installatore o le autorità locali per ulteriori informazioni sulla sede e per i termini e le condizioni di tali punti di raccolta.

Instrucciones de Seguridad

Para evitar accidentes, incluyendo descargas eléctricas o incendios causados por una utilización inadecuada, lea atentamente este manual antes de usar el producto y consérvelo para futuras consultas.

Este producto puede ser utilizado por niños a partir de 8 años y por personas con deficiencias físicas, sensoriales, intelectuales o con experiencia o conocimientos limitados, bajo la supervisión de un padre o tutor para garantizar un funcionamiento seguro y evitar cualquier riesgo de peligro. Los niños no deben realizar la limpieza y el mantenimiento sin supervisión.

El aspirador no es un juguete. Los niños no deben jugar con este producto ni utilizarlo. Tenga cuidado al usar el aspirador cerca de los niños. No permita que los niños limpien o mantengan el aspirador a menos que estén supervisados por un padre o tutor.

No use el aspirador al aire libre o en superficies mojadas. Utilice el aspirador sólo en superficies interiores secas. No toque el enchufe ni ninguna parte del aspirador con las manos mojadas.

Para reducir el riesgo de incendio, explosión o lesión, compruebe que la batería de litio y el adaptador de carga no estén dañados antes de usarlos. No utilice el aspirador si la batería de litio o el cargador están dañados.

La barra de rodillo suave, la batería, la clavija de conexión metálica y el aspirador son conductores de electricidad y no deben sumergirse en agua u otro líquido. Asegúrese de secar todos los filtros después de la limpieza.

Para evitar lesiones causadas por piezas móviles, apague el aspirador antes de limpiar la barra de cepillos de rodillos blandos. La barra de rodillo suave, el compartimento para el polvo y el filtro deben instalarse correctamente antes de usar el aspirador.

Utilice únicamente el adaptador de carga original. Nunca utilice un adaptador no original, ya que esto puede causar que la batería de litio se incendie.

No utilice el aspirador para recoger líquidos inflamables o combustibles, como gasolina o lejía, amoníaco, limpiadores de desagüe u otros líquidos.

No utilice el aspirador para recoger partículas de yeso, cenizas como ceniza de la chimenea, o materiales para fumar o quemar como carbón, colillas de cigarrillos o fósforos.

No utilice el aspirador para recoger objetos afilados o duros, como vidrio, clavos, tornillos o monedas, que puedan dañar la máquina.

Mantenga el cabello, la ropa suelta, los dedos y otras partes del cuerpo lejos de las aberturas y partes móviles del aspirador. No apunte la manguera, la varita o las herramientas a sus ojos u orejas ni se las ponga en la boca.

No ponga ningún objeto en las aberturas del aspirador. No utilice el aspirador con ninguna abertura bloqueada. Manténgase libre de polvo, pelusa, pelo u otros artículos que puedan reducir el flujo de aire.

No apoye el aspirador en una silla, mesa u otra superficie inestable, ya que podría causar daños a la máquina o lesiones personales. Si el aspirador se daña debido a un vuelco o a un mal funcionamiento, póngase en contacto con nuestro departamento de servicio técnico autorizado. Nunca intente desmontar el dispositivo por su cuenta.

Se deben seguir estrictamente todas las instrucciones del manual de recarga de la batería. Si no se carga correctamente dentro del rango de temperatura especificado, se podría dañar la batería.

Utilice únicamente accesorios y piezas de repuesto aprobados por Dreame.

No utilice el aspirador sin el compartimento transparente para el polvo y el filtro en su lugar.

Asegúrese de que el aspirador esté desconectado cuando no se utilice durante períodos prolongados, así como antes de realizar cualquier tipo de mantenimiento o reparación.

Por favor, tenga mucho cuidado al usar el aspirador para limpiar escaleras.

No instale, cargue ni utilice este producto al aire libre, en baños o alrededor de una piscina.

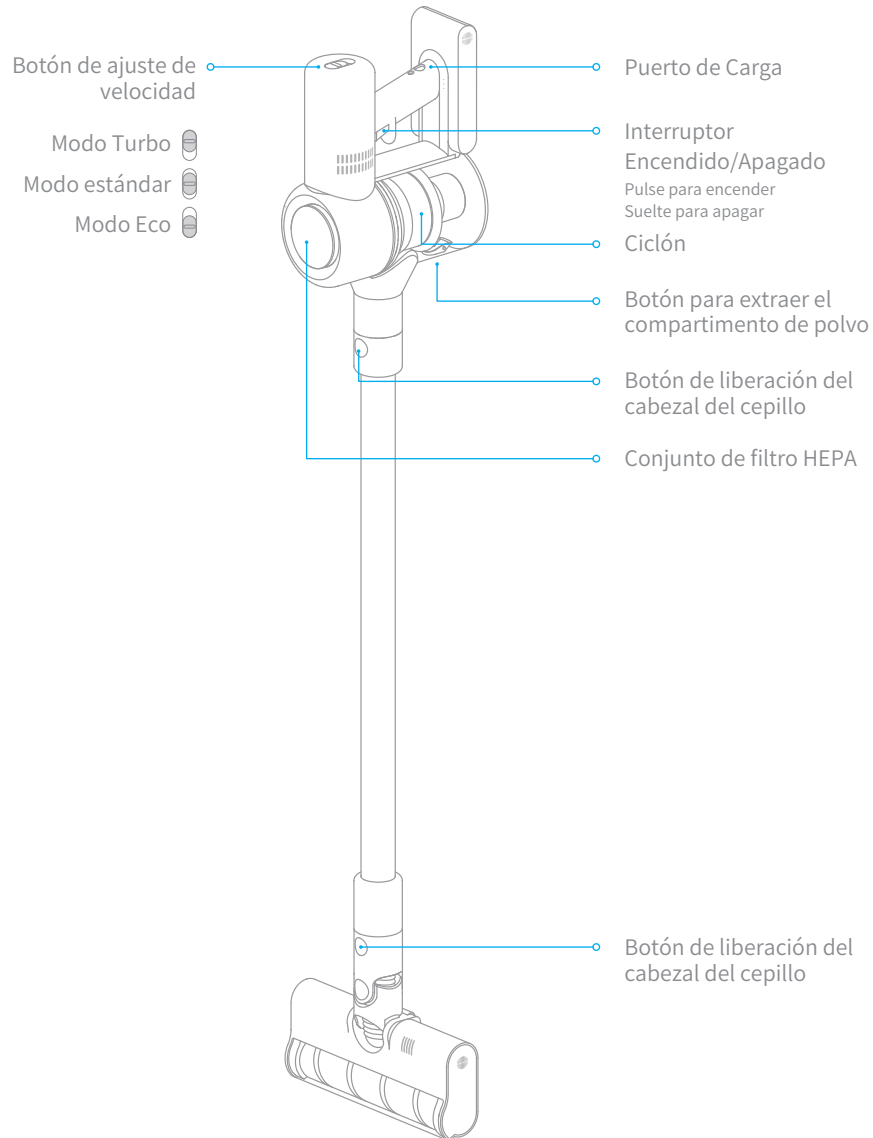
Advertencia de peligro de incendio: No aplique ningún tipo de fragancia al filtro del aspirador. Este tipo de productos contiene productos químicos inflamables que pueden hacer que el aspirador se incendie.

Este producto está diseñado solo para uso doméstico.

Con la presente, Dreame Trading (Tianjin) Co., Ltd. dichiara che questo apparecchio è conforme alle direttive applicabili e alle norme europee, nonché ai relativi emendamenti. Il testo completo della dichiarazione di conformità UE è disponibile al seguente indirizzo Internet: www.dreame-technology.com

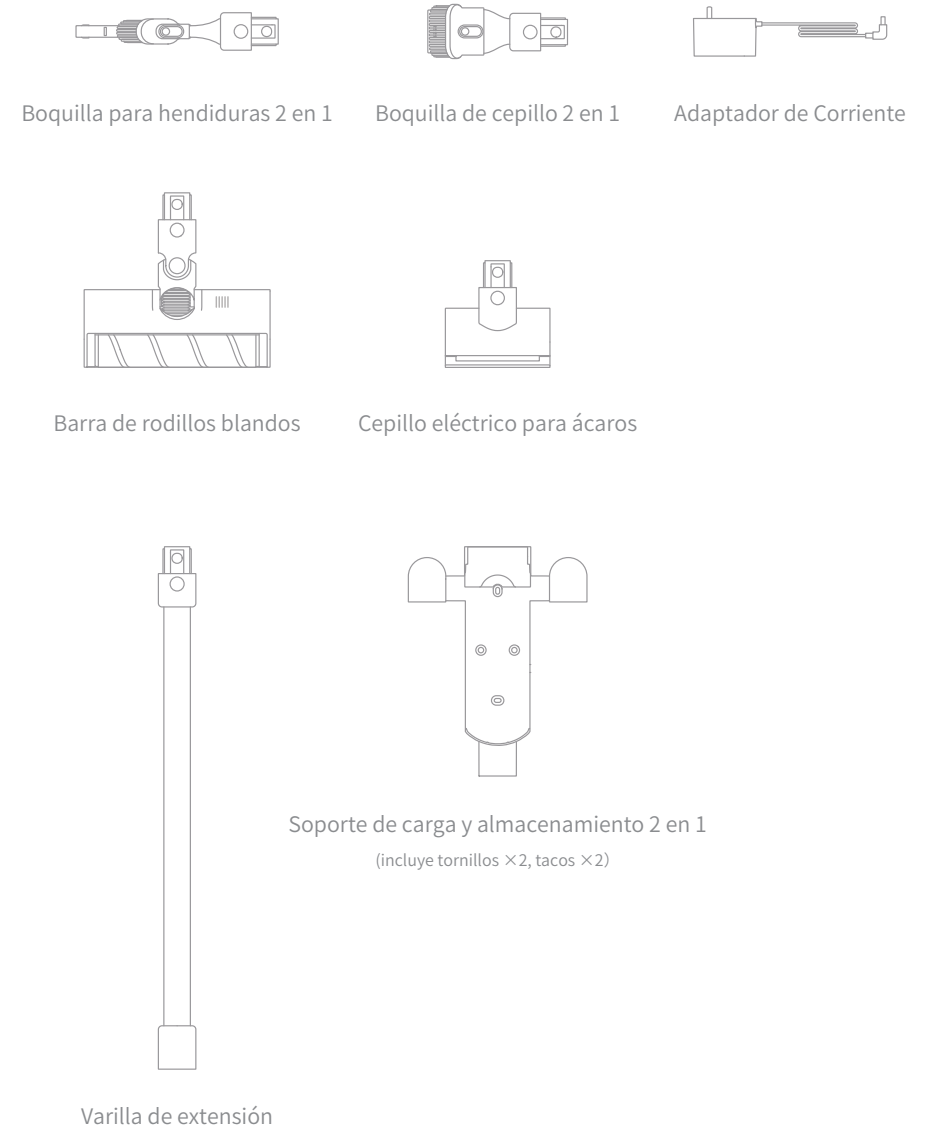
Descripción General del Producto

Nombres de las partes



Descripción General del Producto

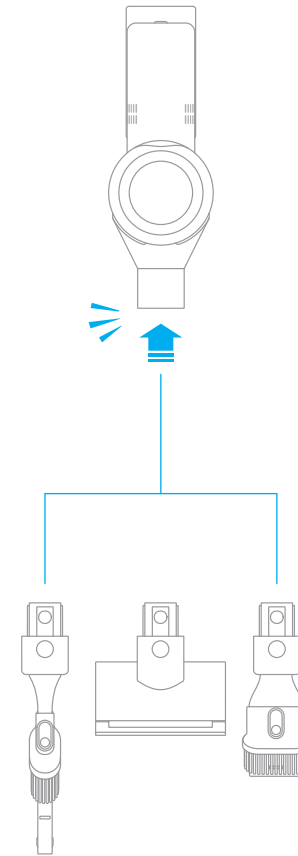
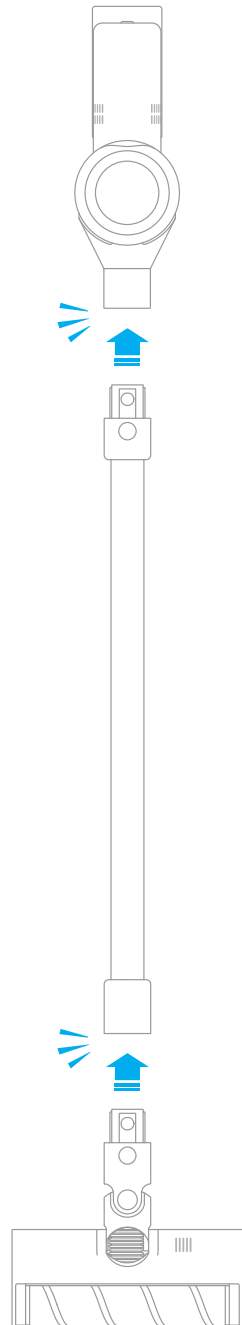
Accesorios



Instalación

Diagrama de instalación para accesorios y aspiradora

 Inserte hasta que encaje en su sitio

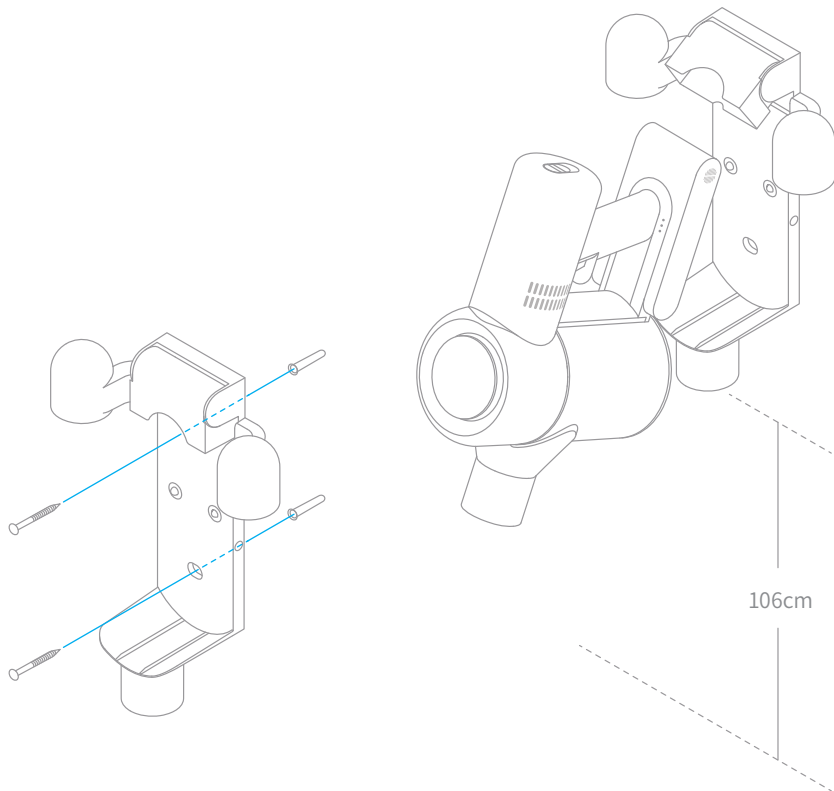


Instalación

Instalación del soporte de carga y almacenamiento 2 en 1

1. El soporte de carga y almacenamiento 2 en 1 es un accesorio opcional, puede instalarlo según sus necesidades.
2. El soporte debe instalarse en un lugar fresco y seco cerca de una toma de corriente, alejado de la luz solar directa y de áreas propensas a la humedad, como una cocina.
3. Instale el soporte de forma segura utilizando las herramientas de montaje adecuadas para el tipo de pared seleccionado. Asegúrese de que el área de instalación esté libre de tuberías como líneas de gas o de agua, y conductos de aire, cables y alambres eléctricos o tubos de drenaje.
4. Se recomienda contar con la ayuda de un profesional para instalar el soporte y usar ropa y gafas protectoras, así como el material adecuado cuando sea necesario.
5. Utilizando un taladro eléctrico, marque y perfore dos agujeros de 8 mm de diámetro en la pared hasta una profundidad de unos 30 mm. Inserte los tacos en los agujeros, coloque el soporte y fíjelo a la pared con los tornillos incluidos.

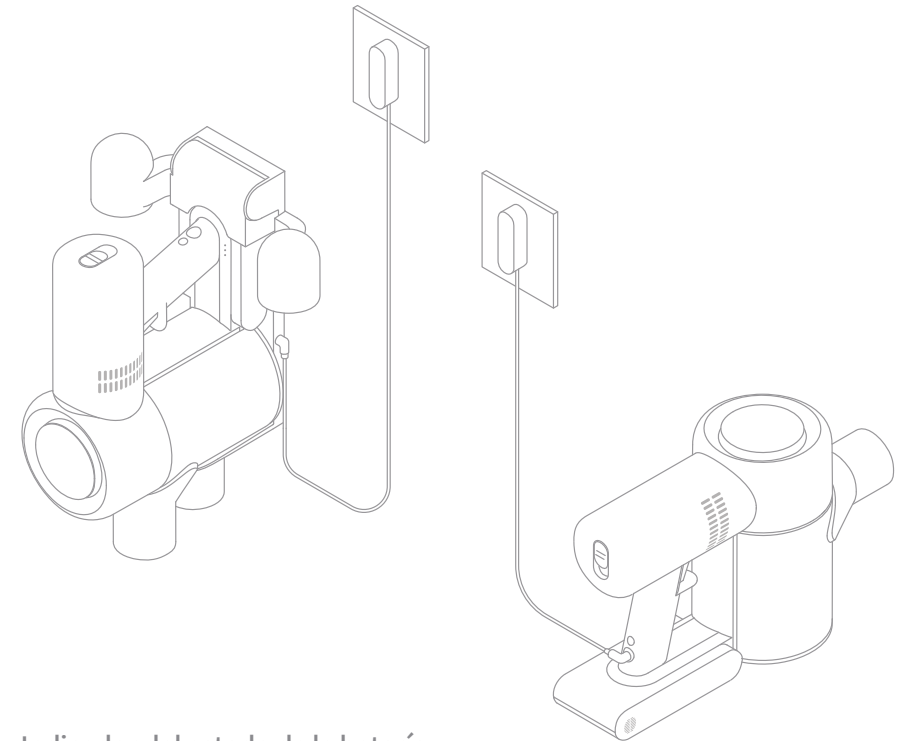
Altura recomendada: 1,06 metros del suelo



Modo de Uso

Nota:

1. Cargue completamente el aspirador antes de usarlo por primera vez. Esto tomará alrededor de 4 horas.
2. El aspirador no se puede cargar mientras se está usando.
3. Si se aspira en modo turbo durante un período prolongado, la batería se calentará, lo que aumenta el tiempo de carga. Deje que el aspirador se enfríe durante 30 minutos antes de cargarlo.



Indicador del estado de la batería

● Apagado ☀ Intermitente ○ Activado

● ● ☀ Batería baja

● ☀ ○ Media batería

☀ ○ ○ Casi lleno

○ ○ ○ Totalmente cargado

● ● ● Totalmente cargado

Nota: Una vez que el aspirador esté completamente cargado, el indicador se apagará después de 5 minutos y el aspirador entrará en el modo de ahorro de energía.

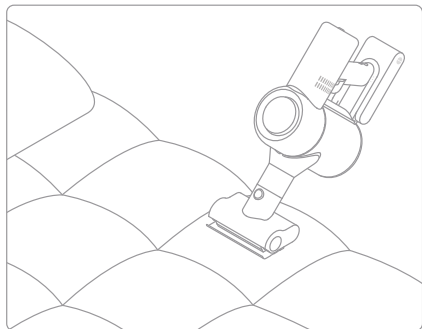
Antes de continuar, lea las instrucciones de seguridad de este manual del usuario.

Modo de Uso

Uso de diferentes accesorios

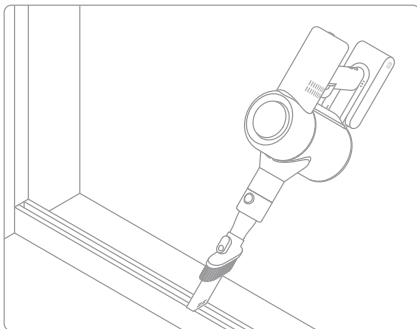
Cepillo eléctrico para ácaros:

sus fuertes vibraciones producen una limpieza profunda para eliminar los ácaros y el polvo de los colchones y las superficies de telas.



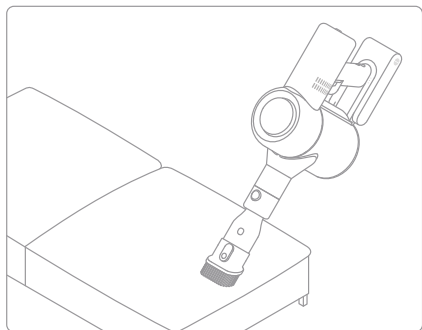
Boquilla para hendiduras 2 en 1:

adecuada para aspirar grietas, esquinas de puertas y ventanas, escaleras y otros lugares de difícil acceso.



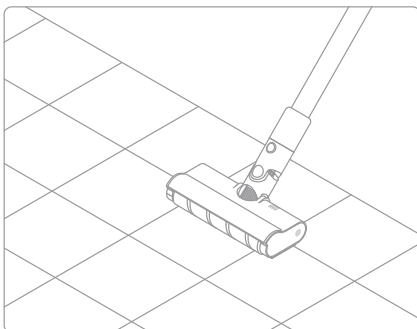
Boquilla de cepillo 2 en 1:

adecuada para aspirar el polvo y los ácaros de camas, sofás y otras telas de muebles.



Barra de rodillos blandos:

adecuada para aspirar superficies duras como pisos, azulejos, baldosas, mármol, así como para grandes trozos de suciedad y residuos. La barra de cepillos de rodillos blandos también se puede acoplar directamente al aspirador.



Nota:

Si alguna pieza giratoria se atasca, el aspirador puede apagarse automáticamente. Retire cualquier objeto extraño atrapado y vuelva a utilizarlo.

El aspirador se apagará automáticamente si el motor entra en modo de protección contra sobrecalentamiento. Espere hasta que la temperatura del motor vuelva a ser normal antes de volver a utilizarlo.

Cuidado y mantenimiento

Consejos:

1. Utilice siempre piezas originales para evitar que se anule la garantía.
2. Si el filtro o la boquilla se obstruye, el aspirador dejará de funcionar poco después de encenderse. Para restaurar la funcionalidad, limpie el filtro o la boquilla.
3. Si el aspirador no se va a utilizar durante un período prolongado, cárguelo completamente, desenchufe su adaptador de corriente y guárdelo en un ambiente fresco y de baja humedad, lejos de la luz solar directa. Para evitar la descarga excesiva de la batería, recargue el aspirador al menos una vez cada 3 meses.

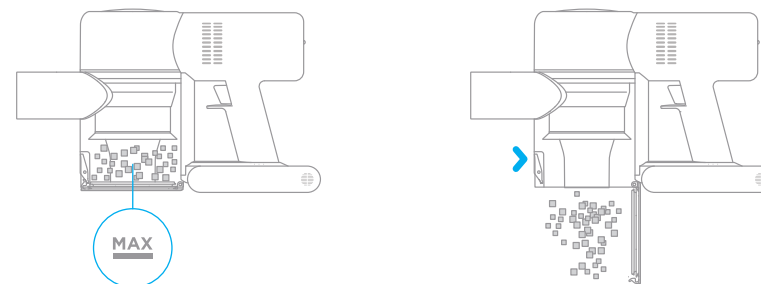
Limpieza del aspirador

Limpie el aspirador con un trapo seco y suave.

Limpie el aspirador con un trapo seco y suave.

Antes de limpiar el compartimento para el polvo, desconecte el adaptador y mantenga el interruptor de alimentación del aspirador en la posición de apagado. La capacidad de limpieza del aspirador se reduce si el compartimento de polvo está lleno hasta la marca "MAX". Para recuperar el rendimiento, vacíe el compartimento.

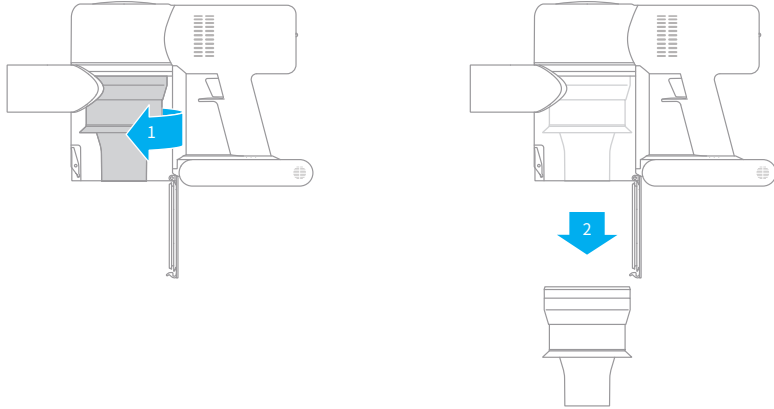
Para vaciar el compartimento de polvo: presione el botón de liberación en la parte inferior del compartimento y vacíe su contenido.



Cuidado y mantenimiento

Limpeza del conjunto del ciclón

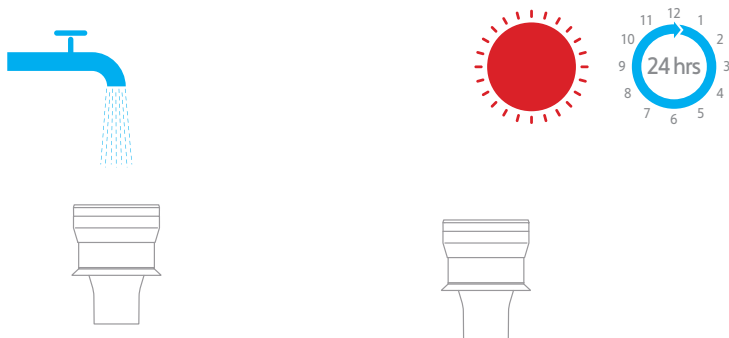
1. Gire el conjunto del ciclón en la dirección ilustrada para desbloquearlo y, a continuación, retire el conjunto del ciclón.



2. Enjuague el conjunto del ciclón con agua hasta que esté limpio. Para un buen secado manténgalo en un lugar ventilado o fresco durante al menos 24 horas.

Precaución: no limpie el ciclón en el lavavajillas ni en la lavadora, ni intente secarlo en la secadora, horno, microondas o cerca de una hoguera.

3. Una vez seco, vuelva a instalar el conjunto del ciclón.

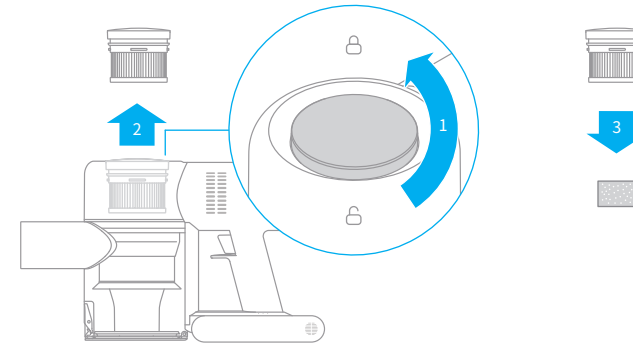


Cuidado y mantenimiento

Limpeza del conjunto del filtro HEPA

1. Coloque el aspirador firmemente sobre una superficie plana, luego gire la cubierta del conjunto del filtro HEPA en la dirección indicada y retire el conjunto.

Nota: retire la almohadilla de espuma incorporada antes de limpiar el conjunto del filtro HEPA. Enjuague el filtro HEPA y la almohadilla de espuma con agua.



2. Enjuague el filtro HEPA y la almohadilla de espuma con agua. Para eliminar completamente todo el polvo atrapado en el filtro, gire el filtro HEPA 360 grados mientras lo enjuaga. Golpee ligeramente el filtro contra un fregadero varias veces para eliminar el exceso de residuos.

Mantenga el filtro HEPA en un lugar fresco y bien ventilado para que se seque completamente.

Nota: seque completamente el filtro (al menos 24 horas) antes de volver a instalarlo.



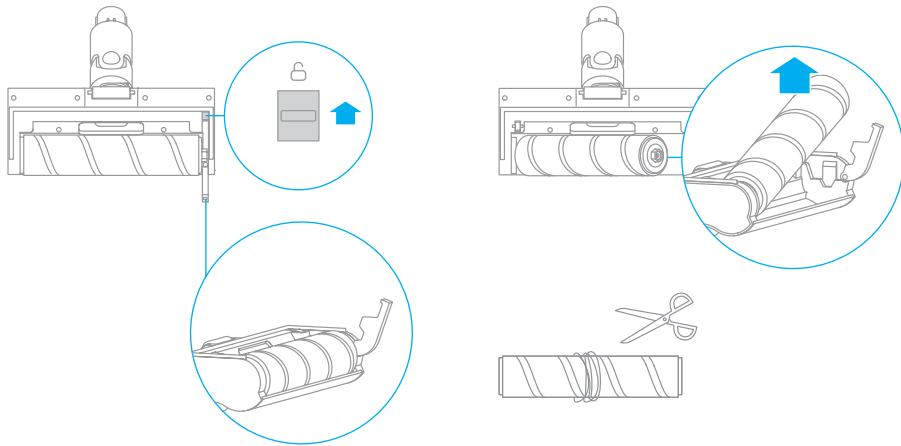
Cuidado y mantenimiento

Limpeza de la barra de rodillos blandos y del cepillo eléctrico para ácaros

Nota: para evitar lesiones al encender accidentalmente el aspirador, asegúrese de que la barra de rodillos blandos o el cepillo eléctrico de ácaros estén separados del aspirador antes de retirar el cabezal. El cepillo de ácaros y la barra de rodillos blandos contienen componentes eléctricos, y el cabezal de la barra de rodillos blandos también contiene rodamientos. No lave estas partes con agua. Tenga cuidado con los objetos punzantes al retirar los residuos atrapados en los cabezales de los cepillos de ácaros y de las barras de rodillos blandos.

Limpeza de la barra de rodillos blandos

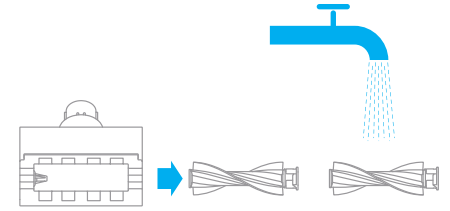
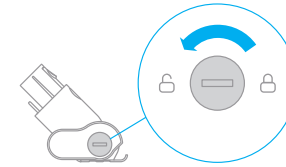
1. Presione el botón de desbloqueo de la cabeza de la barra colectora en la dirección de la flecha hasta que la tapa se abra, luego retire la cabeza de la barra colectora levantándola en la dirección indicada.
2. Una vez que haya terminado de limpiar la barra de rodillos blandos, vuelva a instalarla siguiendo los pasos de desmontaje al revés.



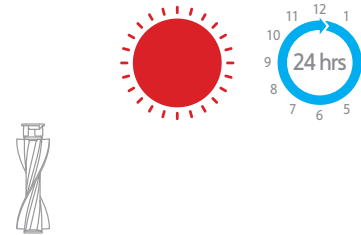
Cuidado y mantenimiento

Limpeza del cepillo eléctrico para ácaros

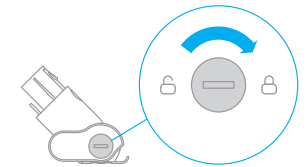
1. Use una moneda como se ilustra para girar la cerradura en sentido contrario a las agujas del reloj hasta que oiga un clic.
2. Después de desbloquear el cabezal del cepillo, retírelo del cepillo eléctrico de ácaros y enjuague y limpie el cabezal.



3. Coloque el cabezal del cepillo en posición vertical en un área bien ventilada durante al menos 24 horas hasta que esté completamente seco.



4. Una vez que la barra de rodillos blandos esté seca, reinstálela siguiendo los pasos de desmontaje al revés.



Nota: se recomienda limpiar el cepillo eléctrico de ácaros después de cada uso.

Preguntas frecuentes

Si el aspirador no funciona correctamente, consulte la siguiente tabla de solución de problemas.

Errores	Posibles causas	Soluciones
El aspirador no funciona	El aspirador no tiene batería o está bajo de energía.	Cargue completamente el aspirador y luego reanude el uso.
	Modo de protección contra sobrecalentamiento activado por un bloqueo.	Espere hasta que el aspirador se enfríe, luego reactivélo.
	La abertura de succión o el paso del aire están bloqueados.	Limpie cualquier obstrucción de la abertura de succión o del paso del aire.
Fuerza de succión débil	El compartimiento de polvo está lleno y/o el conjunto del filtro HEPA está obstruido.	Vacíe el compartimiento y limpie el conjunto del filtro HEPA.
	El accesorio está bloqueado.	Despeje cualquier bloqueo en el accesorio.
El motor hace un ruido extraño	La abertura de succión principal o la barra de extensión están bloqueadas.	Limpie cualquier obstrucción en la abertura de succión o la barra de extensión.
El primer indicador aparece rojo después de encender el aspirador	La batería está dañada.	Póngase en contacto con el departamento de servicio posventa para arreglarlo.
El primer indicador parpadea en rojo después de encender el aspirador.	El adaptador de corriente es incompatible.	Utilice únicamente el adaptador de corriente original para cargar el aspirador.
El indicador de batería no se enciende durante la carga	El adaptador no está conectado al aspirador.	Asegúrese de que el adaptador de corriente esté conectado correctamente.
	La batería está totalmente cargada y cambió al modo de suspensión.	Se puede usar normalmente.
	Si el problema persiste después de descartar las dos posibilidades anteriores,	Póngase en contacto con el departamento de servicio posventa para arreglarlo.
Carga lenta	La temperatura de la batería es demasiado baja o demasiado alta.	Espere hasta que la temperatura de la batería se normalice, luego reanude el uso.

Este producto contiene baterías que sólo pueden ser reemplazadas por técnicos cualificados o por el servicio posventa.

Este producto contiene baterías que no son reemplazables.

Información sobre RAEE



Todos los productos que llevan este símbolo son residuos de aparatos eléctricos y electrónicos (RAEE según la directiva 2012/19/UE) que no deben mezclarse con residuos domésticos sin clasificar. En su lugar, debe proteger la salud humana y el medio ambiente entregando sus equipos de desecho a un punto de recogida para el reciclaje de residuos de equipos eléctricos y electrónicos, designado por el gobierno o las autoridades locales. La eliminación y el reciclado correctos ayudarán a evitar posibles consecuencias negativas para el medio ambiente y la salud humana. Póngase en contacto con el instalador o con las autoridades locales para obtener más información sobre la ubicación y las condiciones de dichos puntos de recogida.

הוראות בטיחות

למניעת תאונות לרבות מכת חשמל או שריפה הנגרמות כתוצאה משימוש לא נכון, אנא קראו מדריך זה בקפידה טרם השימוש במוצר ושמרו אותו אצלכם לעיון בעתיד .

מוצר זה מותר לשימוש על ידי ילדים בני 8 ומעלה ועל ידי אנשים הסובלים מקלות גופנית, תחושתית או שכלית, או בעלי ניסיון מוגבל או ידע מצומצם במידה והם נמצאים תחת השגחת הורה או מישהו ששומר עליהם וזאת על מנת להבטיח הפעלה בטוחה ולמנוע סכנות מכל סוג שהוא. פעולות הניקיון והתחזוקה לא יבוצעו על ידי ילדים ללא השגחה.

שואב האבק אינו צעצוע. חל איסור על ילדים לשחק עם המוצר או להפעילו. אנא נקטו זהירות בעת השימוש בשואב האבק בקרבת ילדים. אין לאפשר לילדים לנקות או לבצע פעולות תחזוקה של שואב האבק אלא אם כן הושמה עליהם השגחה מצד הורה או אדם ששומר עליהם .

אין לעשות שימוש בשואב האבק במקום פתוח או על גבי משטחים רטובים. השתמשו בשואב האבק רק במשטחים יבשים במקומות סגורים. אין לגעת בתקע החשמל או בכל חלק אחר של שואב האבק בידיים רטובות .

לצמצום סכנת ההתלקחות, הפיצוץ או הפגיעה, בדקו על מנת לוודא כי סוללת הליתיום ומתאם הטעינה אינם פגומים טרם השימוש. אין לעשות שימוש בשואב האבק במידה וסוללת הליתיום או המטען פגומים.

מוט המברשת של הגליל הרך, הסוללה, פין המחבר המתכתי והשואב האבק מוליכים חשמל ואין לטבול אותם בתוך מים או כל נוזל אחר. וודאו לייבש את כל המסננים לאחר ניקיון המוצר .

למניעת פגיעה הנגרמת כתוצאה מחלקים ניידים, כבו את שואב האבק טרם ניקוי מוט מברשת הגליל הרך. מוט מברשת הגליל הרך, תא האבק והמסנן חייבים להיות מותקנים כנדרש טרם השימוש בשואב האבק .

השתמשו רק במתאם טעינה מקורי, מדגם:

YLS0241A-E300080

Input: 100-240v. -50 Hz/60 Hz; 0,8 A MAX

Output: 30V -- ; 0,8 A

לעולם אין לעשות שימוש במתאם שאינו מקורי, כיוון שהדבר עשוי לגרום להתלקחות של סוללת הליתיום.

אין לעשות שימוש בשואב האבק להרמת נוזלים מתלקחים או דליקים, כגון בנזין או חומר מלבין, אמוניה, תכשירי ניקוי לניקוז תעלות או נוזלים אחרים.

אין לעשות שימוש בשואב האבק להרמת חלקיקים של קיר גבס, אפר כגון אפר של קמין או חומרים המעלים עשן או בוערים כגון פחם, בדלי סיגריות או גפרורים.

אין לעשות שימוש בשואב האבק להרמת חפצים חדים או קשים, כגון זכוכית, מסמרים, ברגים או מטבעות, אשר עשויים לגרום נזק למכונה.

הרחיקו שערות, בגדים רפויים, אצבעות וחלקי גוף אחרים מפתחים וחלקים ניידים של שואב האבק. אין לכוון את הצינור, מטה או כלים לכיוון העיניים או האוזניים שלכם או להכניס אותם לתוך הפה שלכם .

אין להניח שום חפץ לתוך פתחי שואב האבק. אין לעשות שימוש בשואב האבק עם פתחים חסומים. הרחיקו אבק, מוך, שערות או פריטים אחרין שעשויים לצמצם את זרימת האוויר .

אין להשעין את שואב האבק נגד כיסא, שולחן או משטח לא יציב אחר, כיוון שהדבר עשוי לגרום נזק למכונה או לפגיעה אישית. במידה ושואב האבק ניזוק בעקבות הפלה שלו או שיש בו תקלה מכל סוג אחר, אנא צרו קשר עם מחלקת השירות המוסמכת שלנו. לעולם אין לנסות ולפרק את המכשיר בעצמכם .

יש להקפיד לנהוג בהתאם לכל ההוראות המופיעות במדריך זה המתקשרות לטעינה חוזרת של הסוללה. כשל בטעינה נכונה של הסוללה בטווח הטמפרטורה המצוין עלול לגרום נזק לסוללה.

השתמשו רק באבזרים ובחלקי חילוף המאושרים על ידי Dreame .

אין לעשות שימוש בשואב האבק ללא תא אבק נקי ומסנן מותקנים למקומם .

וודאו כי שואב האבק מנותק ממקור החשמל כאשר אינו בשימוש למשך פרקי זמן ארוכים כמו גם טרם ביצוע פעולות תחזוקה או תיקון מכל סוג שהוא .

אנא נקטו זהירות יתרה בעת השימוש בשואב האבק לניקוי מדרגות.

אין להתקין, להטעין או לעשות שימוש במוצר זה במקומות פתוחים, בחדרי אמבטיה או סביב בריכה .

אזהרה מפני סכנת התלקחות: אין לשים כל סוג שהוא של חומר ריחני לתוך מסנן שואב האבק. מוצרים מהסוג הזה ידועים כמכילים חומרים כימיים מתלקחים שעשויים לגרום להתלקחות של שואב האבק .

מוצר זה נועד לשימוש ביתי בלבד .

אנו חברת Dreame Trading (Tianjin) Co., Ltd, מצהירים בזאת כי ציוד זה תואם את התקנים הישימים ואת התקנים והתיקונים האירופאיים. הטקסט המלא של הצהרת התאימות של EU זמין להשגה בכתובת האינטרנט שלהלן: www.dreame-technology.com



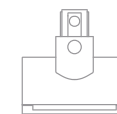
מתאם מתח



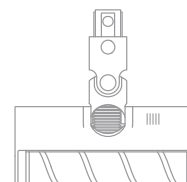
פי צינור מברשת 2 בתוך 1



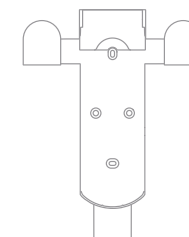
פי צינור בקיע צר 2 בתוך 1



פי צינור ממונע מזערי



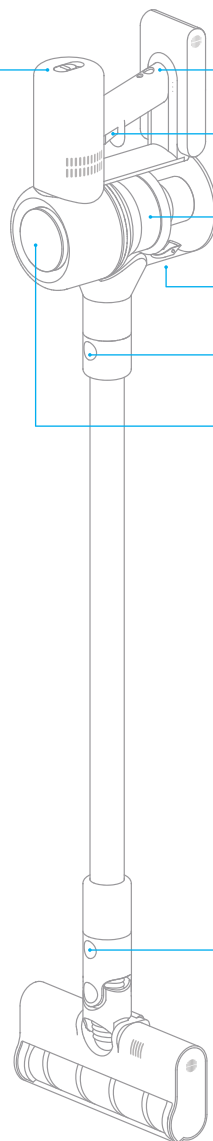
פי צינור גליל רך



סן לטעינה ולאחסנה 2 בתוך 1
(כולל ברגים 2X, תקעים לקיר 2X)



מוט הארכה



כפתור לכונסן מהירות

שקע טעינה

מצב טורבו

מתג הפעלה/כיבוי
(לחצו להפעלה, שחררו לכיבוי)

מצב סטנדרטי

מכלול ציקלון

מצב אקו

לחצן שחרור תא האבק

לחצן שחרור מוט ההארכה

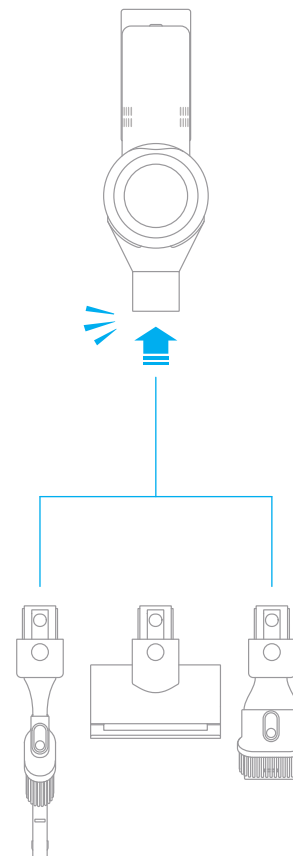
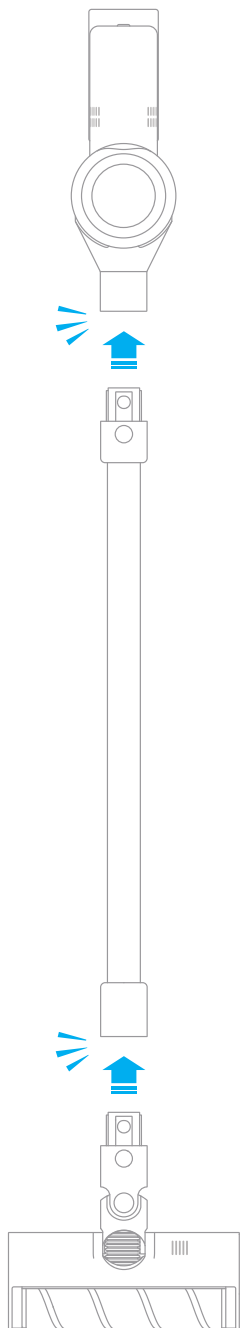
מכלול מסך HEPA

לחצן לשחרור ראש
מוט מברשת

התקנה

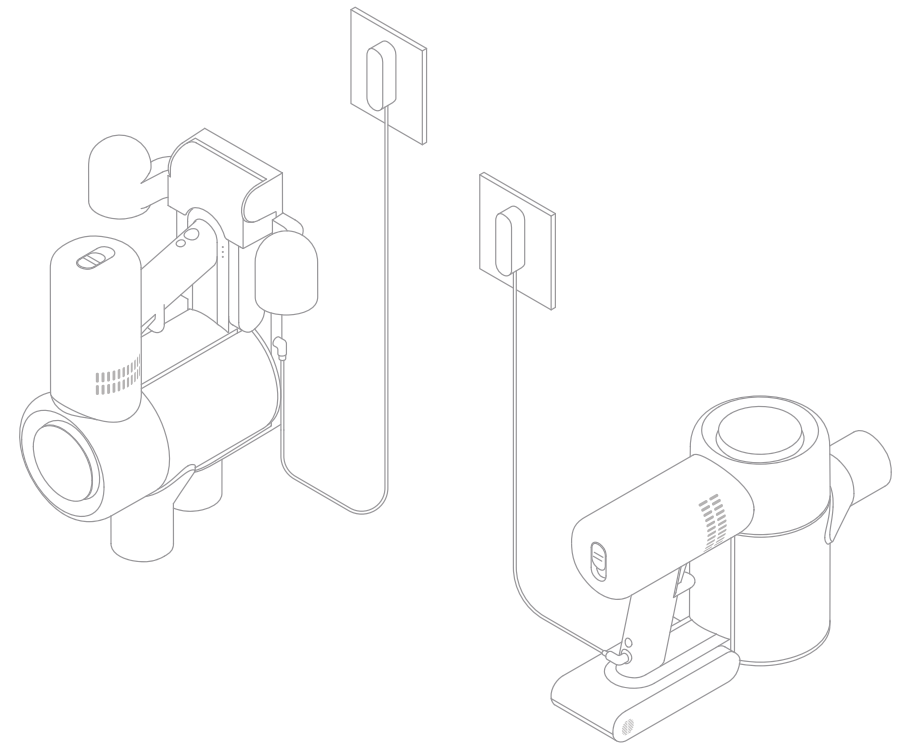
תרשים להתקנת שואב האבק והאבזרים

הכניסו עד להקלקה במקום. 



שימו לב :

1. הטעינו את שואב האבק עד הסוף טרם השימוש בו בפעם הראשונה. הדבר יימשך כארבע שעות.
2. אין אפשרות לעשות שימוש בשואב האבק בזמן טעינה.
3. שאיבה במצב טורבו למשך פרק זמן ממושך תגרום להתחממות של הסוללה, דבר המגדיל את זמן הטעינה. תנו לשואב האבק להתקרר במשך 30 דקות טרם טעינתו.



חיווי מצב הסוללה

● כבוי ● מהבהב ○ מופעל

● ● ● סוללה חלשה ● ● ● סוללה טעונה במלואה

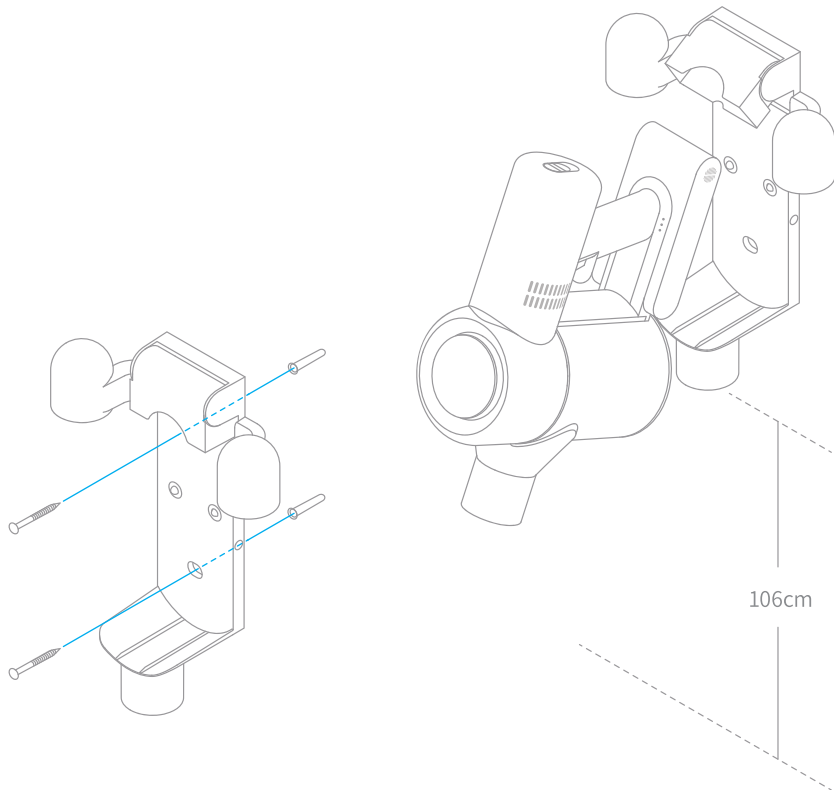
● ● ● סוללה טעונה ב-50% ● ● ● סוללה טעונה במלואה

○ ● ● סוללה כמעט טעונה לחלוטין ○ ● ● סוללה טעונה במלואה

שימו לב: ברגע ששואב האבק טעון במלואו, החיווי ייכבה לאחר 5 דקות, ושואב האבק ייכנס למצב של היסכון בחשמל.

התקנת קן הטעינה והאחסנה 2 בתוך 1

1. קן הטעינה והאחסנה 2 בתוך 1 נחשב לאבזר אופציונלי, באפשרותכם להתקין אותו על סמך הדרישות שלכם.
2. את הקן יש להתקין במקום קריר ויבש בקרבת שקע חשמל, הרחק מאור שמש ישיר והרחק מאזורים עם נטייה לצבירת לחות, כגון מטבח.
3. התקינו בבטחה את הקן בעזרת חומרת התקנה המתאימה לסוג הקיר שנבחר. וודאו כי אזור ההתקנה נקי מצימרות כגון צימרות גז או מים וצימרות אוויר, חוטי חשמל וכבלים או צימרות ניקוז (ביוב).
4. מומלץ לשכור איש מקצוע להתקנת הקן ולעשות שימוש בבגדי הגנה, במשקפות ובציוד הגנה אחר במידת הצורך.
5. בעזרת מקדחה חשמלית, סמנו וקדחו שני חורים בקוטר של 8 מ"מ לתוך הקיר היכן שתרצו לעומק של כ-30 מ"מ. הכניסו את הפקקים לקיר לתוך החורים, מקמו את הקן ולאחר מכן חזקו אותו לקיר בעזרת הברגים הכלולים.



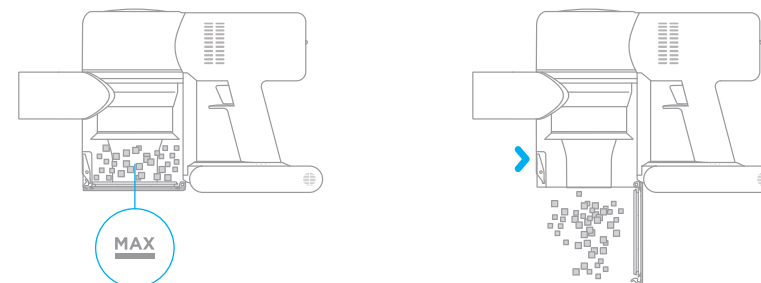
- השתמשו תמיד בחלקים מקוריים על מנת למנוע ביטול של האחריות שלכם על המוצר.
- במידה והמסנן או פי צינור נחסמים, שואב האבק יפסיק לפעול פרק זמן קצר לאחר שמכבים אותו. להחזרת תפקוד שואב האבק לקדמותו, נקו את המסנן או את פי הצינור.
- במידה ולא מתוכנן לעשות שימוש בשואב האבק למשך פרק זמן ארוך, הטעינו אותו עד הסוף, נתקו את המתאם שלו ואחסנו אותו בסביבה קרירה עם רמת לחות נמוכה הרחק מאור שמש ישיר. למניעת פריקת יתר של הסוללה, הטעינו מחדש את שואב האבק לכל הפחות פעם ב-3 חודשים.

ניקיון שואב האבק

נגבו את שואב האבק בעזרת מטלית יבשה ורכה.

ניקיון תא האבק

טרם ניקו תא האבק, נתקו את המתאם וכוונו את מתג ההפעלה/כיבוי למצב כבוי. כושר הניקיון של שואב האבק יצטמצם במידה ותא האבק מלא עד לסימון "MAX". להחזרת איכות הביצועים לקדמותה, רוקנו את תא האבק. הביצועים לקדמותה, רוקנו את תא האבק. לריקון תא האבק: לחצו על לחצן השחרור שבתחתית התא, ולאחר מכן רוקנו את התכולה שלו.

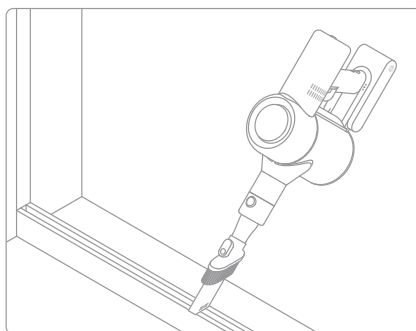


השימוש במוצר

שימוש בחיבורים שונים

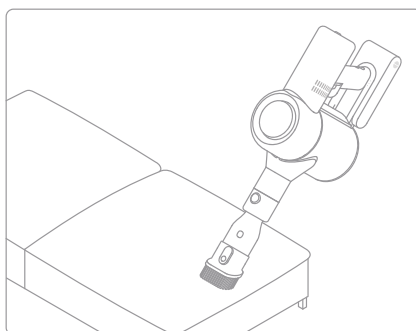
אביזר שאיבה פיה צרה 2 בתוך 1

מתאים לשאיבת חריצים, פינות ודלתות, חלונות, מדרגות ומקומות אחרים קשים להגעה.



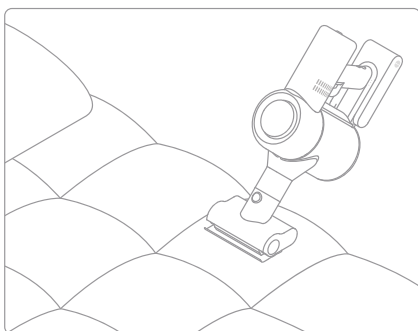
פי צינור מברשת 2 בתוך 1

מתאים לשאיבת אבק וקרדית על מיטות, ספות ובדים של רהיטים אחרים.



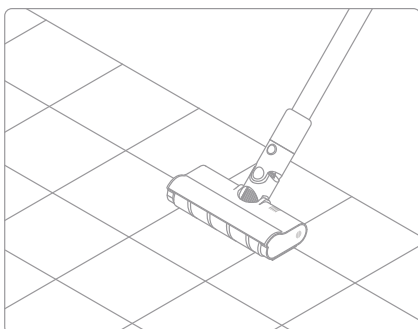
פי צינור ממונע זעיר

רעידות חזקות מניבות פעולת ניקיון עמוקה להסרת קרדית אבק ואבק ממזרנים וממשטחים עשויים מברד.



פיית גליל רכה

מתאימה לשאיבה משטחים קשים כגון מרצפות, אריחים, שיש כמו גם עבור שאיבת חלקים גדולים של לכלוך ושפוכת. פיית הגליל הרכה יגולה גם להיות מוצמדת ישירות אל שואב האבק.



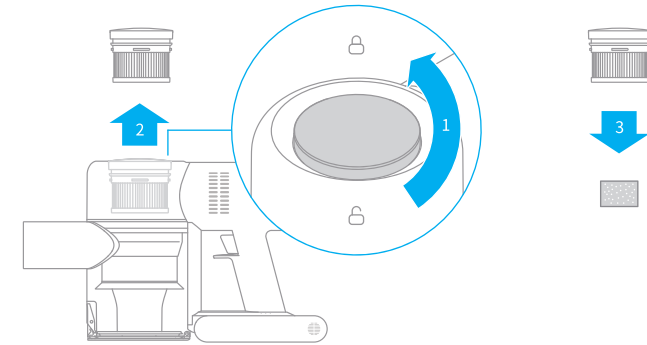
שימו לב:

- במידה וחליק מסתובב כלשהו נתקע, שואב האבק עשוי להיכבות באופן אוטומטי. הוציאו גופים זרים לכודים ולאחר מכן המשיכו לעשות שימוש בשואב האבק.
- שואב האבק ייכבה באופן אוטומטי אם המנוע שלו ייכנס למצב של הגנה מפני התחממות יתר של המנוע. המתינו עד שטמפרטורת המנוע חוזרת למצב רגיל לפני שאתם חוזרים לעשות בו שימוש.

ניקיון מכלול מסנן ה- HEPA

1. מקמו את שואב האבק בבטחה על גבי משטח ישר ושטוח, לאחר מכן סובבו את כיסוי מכלול מסנן ה-HEPA בכיוון המצוין והוציאו את מכלול מסנן ה- HEPA ממקומו.

שימו לב: הוציאו את כרית הגומי המובנית טרם ניקוי מכלול מסנן ה- HEPA שטפו את מסנן ה- HEPA ואת כרית הגומי במים.



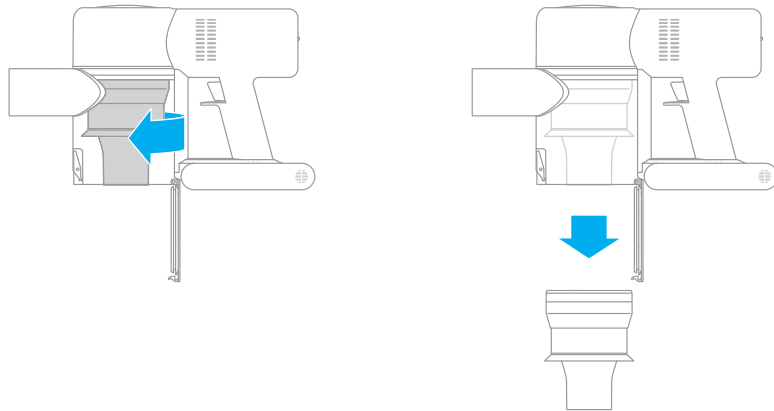
2. שטפו את מסנן ה- HEPA ואת כרית הגומי במים. להסרה יסודית של כל האבק שנלכד בתוך המסנן, סובבו את מסנן ה- HEPA ב-360 ת בזמן שטיפה. הקישו בעדינות את המסנן כנגד כיר מספר פעמים להסרת לכלוך עודף. שמרו את מסנן ה- HEPA במקום מאוורר היטב וקריר על מנת שיתייבש לחלוטין.

שימו לב: ייבשו את המסנן עד הסוף (לכל הפחות 2 - 4 שעות) טרם התקנתו חזרה למקומו.



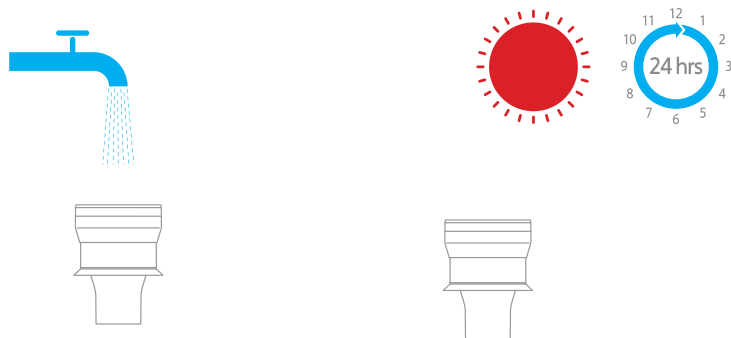
ניקיון מכלול הציקלון

1. סובבו את מכלול הציקלון בכיוון המומחש באיור לפתיחת הנעילה שלו, לאחר מכן הוציאו את מכלול הציקלון ממקומו.



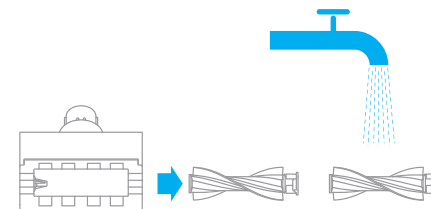
2. שטפו את מכלול הציקלון במים עד שהוא נקי. לייבוש יסודי של מכלול הציקלון, שמרו אותו במקום מאוורר או קריר למשך 24 שעות לכל הפחות. זהירות: אין לנקות את מכלול הציקלון בתוך מדיח כלים או במכונת כביסה, ואין לנסות ולייבש אותו במייבש כביסה, בתנור, בתנור מיקרוגל או בקרבת אש פתוחה.

3. ברגע שהוא התייבש, התקינו את מכלול הציקלון חזרה למקומו.



ניקיון פי צינור הממונע המזערי

2. לאחר שחרור נעילת ראש המברשת, הוציאו אותו מפי הצינור הממונע המזערי, לאחר מכן שטפו ונקו את ראש המברשת.



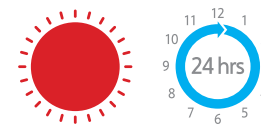
1. השתמשו במטבע בהתאם לאיור לסיבוב הנעילה כנגד כיוון השעון עד שתשמעו צליל הקלקה.



4. ברגע שפי הצינור הממונע המזערי יבש, הרכיבו אותו חזרה למקומו בהתאם לשלבי הפירוק בסדר הפוך.



3. העמידו את ראש המברשת בצורה אנכית באזור מאוורר היטב למשך 24 שעות לכל הפחות עד שהוא יבש לחלוטין.



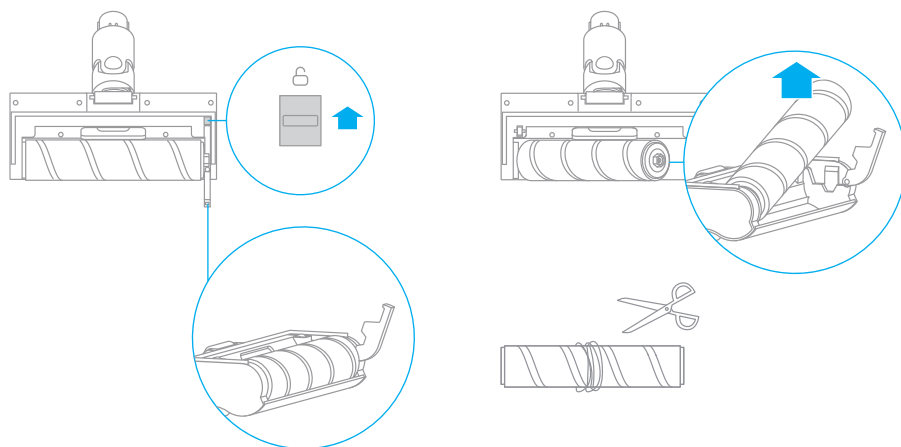
ניקיון פי צינור הגליל הרך ופי הצינור הממונע המזערי

שימו לב: על מנת למנוע פגיעה בתוצאה מהפעלת שואב האבק בטעות, אנא וודאו כי פי הצינור של הגליל הרך או פי הצינור הממונע המזערי מנותקים משואב האבק טרם הוצאת הראש ממקומו. פי הצינור הממונע המזערי ופי צינור הגליל הרך מכילים רכיבים חשמליים וראש פי צינור הגליל הרך מכיל גם מסבים. אין לשטוף חלקים אלו במים. היזהרו מחפצים חדים בעת הוצאת כלוך שנלכד בראשים של פי צינור הגליל הרך ושל פי הצינור הממונע המזערי.

ניקיון פי צינור הגליל הרך

1. שחפו את הלחצן לשחרור ראש מוט המברשת בכיוון החץ עד שהכיסוי של ראש מוט המברשת נפתח בקפיצה, לאחר מכן הוציאו את ראש מוט המברשת באמצעות הרמתו בכיוון המצוין.

2. לאחר שסיימתם לנקות את פי צינור הגליל הרך, הרכיבו אותו חזרה למקומו בעזרת שלבי הפירוק בסדר הפוך.



שאלות נפוצות

במידה ושואב האבק אינו פועל בצורה תקינה, אנא עיינו בטבלת איתור התקלות ופתרון הבעיות שלהלן.

שגיאות	סיבות אפשריות לשגיאות	פתרונות
שואב האבק אינו פועל	סוללת שואב האבק ריקה או חלשה.	הטעינו את שואב האבק במלואו ולאחר מכן השתמשו בו בשנית.
	מצב הגנה מפני התחממות יתר מופעל בעקבות חסימה.	המתינו עד ששואב האבק מתקרר, לאחר מכן הפעילו אותו מחדש.
	פתח הניקה או מעבר האוויר חסומים.	נקו חסימות מפתח הניקה או ממעבר האוויר.
עוצמת יניקה חלשה	תא האבק מלא ו/או מכלול מסן ה-HEPA חסום.	רוקנו את תא האבק ונקו את מכלול מסן ה-HEPA.
	החיבור חסום.	נקו חסימות בחיבור.
המנוע משמיע רעש מוזר	פתח הניקה הראשי או מוט ההארכה חסומים.	נקו חסימות בפתח הניקה הראשי או במוט ההארכה.
החיזוי הראשון אדום לאחר הפעלת שואב האבק	הסוללה פגומה.	אנא צרו קשר עם מחלקת שירות הלקוחות לאחר מכירה לתחזוקה.
חיזוי הסוללה אינו נדלק בזמן טעינה	המתאם אינו מחובר לשואב האבק.	וודאו כי המתאם מחובר כנדרש.
	הסוללה טעונה במלואה ונכנסה למצב שינה.	ניתן לעשות שימוש בשואב האבק כרגיל.
	במידה והבעיה ממשיכה לאחר שפסלתם את שתי האפשרויות שצוינו לעיל.	אנא צרו קשר עם מחלקת שירות הלקוחות לאחר מכירה לתחזוקה.
הטעינה איטית	טמפרטורת הסוללה נמוכה מדי או גבוהה מדי.	המתינו עד שטמפרטורת הסוללה חוזרת למצב רגיל ולאחר מכן השתמשו בשנית.

מוצר זה מכיל סוללות הניתנות להחלפה על ידי טכנאים מוסמכים בלבד או על ידי מרכז שירות הלקוחות לאחר מכירה. מוצר זה מכיל סוללות שאינן ניתנות להחלפה.

מידע WEEE



כל המוצרים הנושאים סמל זה נחשבים לפסולת ציוד חשמלי ואלקטרוני (WEEE כמו בתקן 2012/19/EU) אותם אין לערבב עם פסולת ביתית לא ממוינת. במקום זאת, עליכם להגן על בריאות האדם ועל הסביבה על ידי מסירת ציוד הפסולת שלכם לידי נקודת איסוף שנועדה לכך לשם מחזור של פסולת ציוד אלקטרוני וחשמלי, שהוקצתה על ידי הממשל או הרשויות המקומיות. השלכה נכונה ומחזור נכון של המוצר יסייעו במניעת תוצאות שליליות אפשריות לסביבה ולבריאות האדם. אנא צרו קשר עם המתקין או עם הרשויות המקומיות לקבלת מידע נוסף אודות המיקום כמו גם התנאים וההתניות המתקשרים לנקודות איסוף מהסוג הזה.

הוראות בטיחות כלליות לספק כוח / מטען :

מנעו חדירת מים או לחות. הרחיקו אותו מטמפרטורות קיצוניות כגון ליד רדיאטור או תנור חם או מקום הפתוח לשמש. הרחיקו אותו מנרות דולקים, סיגריות וסיגרים דלוקים, להבה גלויה וכו'.

מנעו נפילת עצמים או התזות נוזלים כולל חומצות כלשהן על המטען. חברו אותו רק לשקע המספק את רמת מתח המסומן על המטען. כדי להקטין סכנת נזק לכבל החשמלי, אל תנתקו את המטען מהשקע ע"י משיכת הכבל. אחזו במטען ומשכו אותו מהשקע. ודאו שהכבל מנותב כך שאין סכנה שידרכו עליו או שייכשלו בו.

אזהרה: לעולם אין להחליף את הפתיל או התקע בתחליפים לא מקוריים.

חיבור לקוי עלול לגרום להתחשמלות המשתמש. בשימוש עם כבל מאריך יש לוודא תקינות מוליך הארקה שבכבל. מיועד לשימוש פנים בלבד ולא במקום החשוף לשמש, גשם וכו'.

ניתוק ההתקן מאספקת החשמל: תקע החשמל מהווה את אמצעי הניתוק. התקע חייב להיות זמין להפעלה. הקפידו לחבר את תקע החשמל לשקע מוארק, אתם עלולים להתחשמל או להיפצע!

יש להקפיד ולתחזק את התקן הניתוק במצב תפעולי מוכן לשימוש! יש לאפשר גישה נוחה לחיבור וניתוק תקע הזינה מרשת החשמל.

אזהרה: אין לחשוף סוללות לחום גבוה כגון אור שמש, אש וכדומה.

הוראות בטיחות לסוללת ליתיום: החלפה שגויה עלולה לגרום לפיצוץ, יש להחליף אך ורק בסוללה דומה או שקולה.

אין לחשוף את הסוללה או מארז הסוללות לחום גבוה כגון אור שמש אש וכדומה. אין להשליך את הסוללה לאשפה אלא במתקני המחזור המיועדים לכך.



A series of 18 horizontal lines spaced evenly down the page, providing a template for handwriting practice.

تعليمات الأمان

لمنع وقوع الحوادث، بما في ذلك الصدمة الكهربائية أو الحريق الناتج عن الاستخدام غير السليم، يرجى قراءة هذا الدليل بعناية قبل الاستخدام والاحتفاظ به للرجوع إليه مستقبلاً.

يمكن استخدام هذا المنتج من قبل الأطفال الذين تتراوح أعمارهم بين 8 سنوات فما فوق والأشخاص الذين يعانون من قصور جسدي أو حسي أو فكري أو خبرة محدودة أو معرفة محدودة تحت إشراف أحد الوالدين أو الوصي لضمان التشغيل الآمن وتجنب أي خطر من المخاطر. يجب ألا يتم التنظيف والصيانة من قبل الأطفال دون إشراف.

المكنسة ليست لعبة، لذا لا يجوز للأطفال اللعب بهذا المنتج أو تشغيله. ويرجى توخي الحذر عند استخدام المكنسة بالقرب من الأطفال. لا تسمح للأطفال بتنظيف المكنسة إلا تحت إشراف أحد الوالدين أو الوصي.

لا تستخدم المكنسة في الخارج أو على الأسطح الرطبة. فقط استخدم على الأسطح الداخلية الجافة، ولا تلمس القابس أو أي جزء من المكنسة بأيدي متبللة.

لتقليل خطر نشوب حريق أو انفجار أو إصابة، تأكد من عدم تلف بطارية الليثيوم ومحول الشحن قبل الاستخدام. لا تستخدم المكنسة في حالة تلف بطارية الليثيوم أو الشاحن.

إن الفرشاة الأسطوانية والبطارية ودبوس الموصل المعدني والمكنسة موصلة كهربائياً ويجب عدم غمرها في الماء أو أي سائل آخر. تأكد من تجفيف جميع الفلاتر بعد التنظيف.

لمنع الإصابة الناجمة عن الأجزاء المتحركة، قم بإيقاف المكنسة قبل تنظيف عمود الفرشاة اللين. يجب تركيب كل من الفرشاة الأسطوانية وحجرة الغبار والفلاتر بشكل صحيح قبل استخدام المكنسة.

لا تستخدم سوى محول الشحن الأصلي فقط، ولا تستخدم أبداً محولاً غير أصلي، لأن هذا قد يتسبب في اشتعال بطارية الليثيوم.

لا تستخدم المكنسة لالتقاط السوائل القابلة للاشتعال أو سريعة الاشتعال، مثل البنزين أو مزيل البقع أو الأمونيا أو منظفات الأحواض أو غيرها من السوائل.

لا تستخدم المكنسة لالتقاط جزيئات حائط الجبس، أو الرماد مثل رماد الموقد أو التدخين أو المواد المحترقة مثل الفحم أو أعقاب السجائر أو أعواد الكبريت.

لا تستخدم المكنسة لالتقاط أشياء حادة أو صلبة، مثل الزجاج أو المسامير أو البراغي أو العملات المعدنية التي قد تتسبب في تلف الجهاز.

أبعد الشعر والملابس الفضفاضة والأصابع والأعضاء الأخرى من الجسم بعيداً عن فتحات المكنسة والأجزاء المتحركة. لا توجه الخرطوم أو العصا أو الأدوات ناحية عينيك أو أذنيك أو تضعها في فمك.

لا تضع أي شيء في فتحات المكنسة، ولا تستخدم المكنسة في حال انسداد أي من الفتحات. واحرص على إفراغها من الغبار أو الوبر أو الشعر أو أي مواد أخرى قد تقلل من تدفق الهواء.

لا تضع المكنسة على كرسي أو طاولة أو أي سطح غير مستقر، لأن ذلك قد يتسبب في تلف الجهاز أو الإصابة الشخصية. في حالة تلف المكنسة جراء الارتطام أو عطل آخر، يرجى الاتصال بقسم الخدمة المعتمد، ولا تحاول مطلقاً تفكيك الجهاز بنفسك.

يجب اتباع جميع التعليمات الواردة في دليل إعادة شحن البطارية بصرامة، فقد يؤدي عدم شحن البطارية بشكل صحيح ضمن نطاق درجة الحرارة المحدد إلى إتلاف البطارية.

لا تستخدم سوى الملحقات وقطع الغيار المعتمدة من Dreame فقط.

لا تستخدم المكنسة بدون وجود حجرة الغبار الشفاف والفلاتر في مكانهما.

تأكد من عدم توصيل المكنسة بالكهرباء عند عدم استخدامها لفترات طويلة وكذلك قبل إجراء أي صيانة أو إصلاحات.

يرجى توخي الحذر عند استخدام المكنسة في تنظيف السلالم.

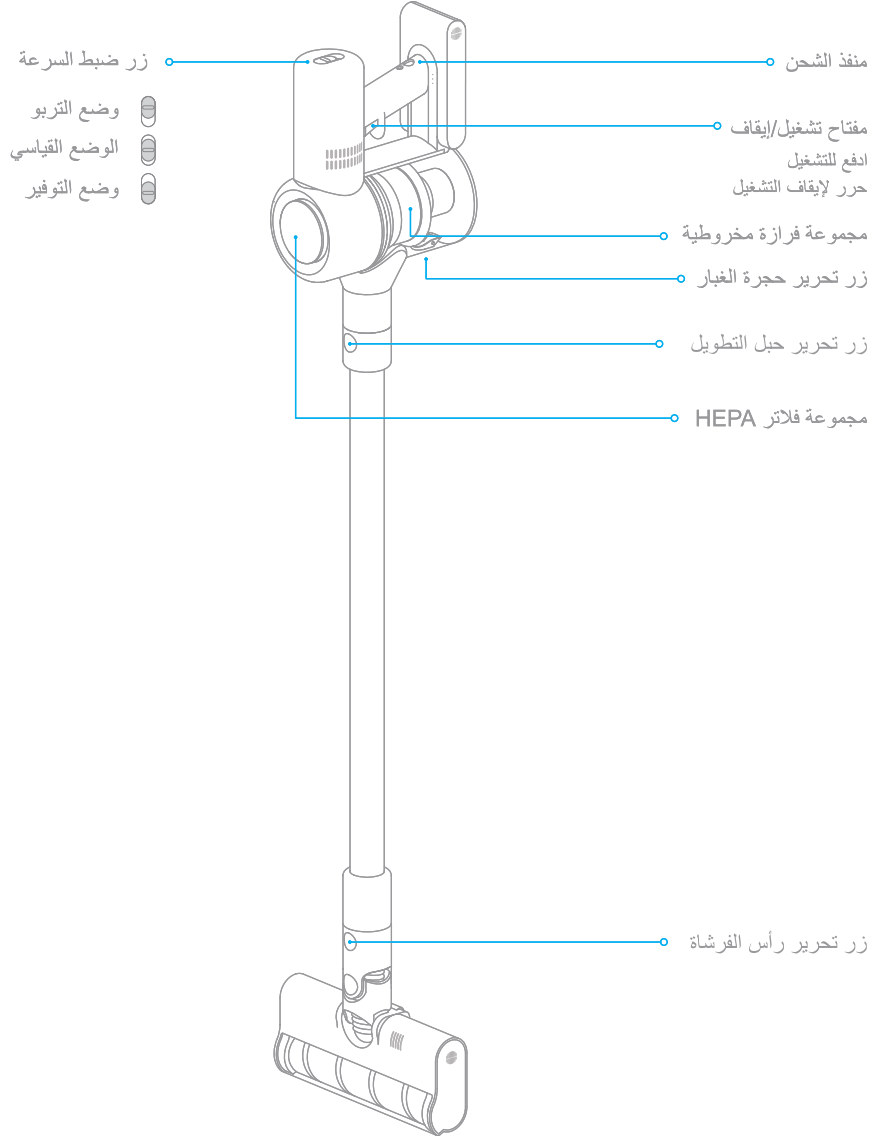
لا تقم بتركيب هذا المنتج أو شحنه أو استخدامه في الخارج أو في الحمامات أو حول حمام السباحة.

تحذير من خطر الحريق: لا تضع أي نوع من العطر على فلتير المكنسة، فمن المعروف أن هذه الأنواع من المنتجات تحتوي على مواد كيميائية قابلة للاشتعال والتي قد تتسبب في اشتعال المكنسة.

تم تصميم هذا المنتج للاستخدام المنزلي فقط.

نظرة عامة حول المنتج

أسماء الأجزاء

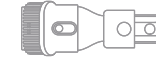


نظرة عامة حول المنتج

الملحقات



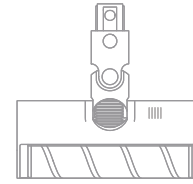
فوهة فتحة 2 في 1



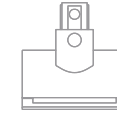
فوهة فرشاة 2 في 1



محول طاقة



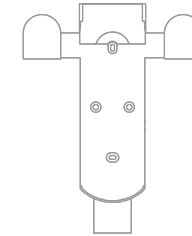
عمود فرشاة اسطوانة ناعمة



فرشاة عت كهربائية



ذراع تمديد

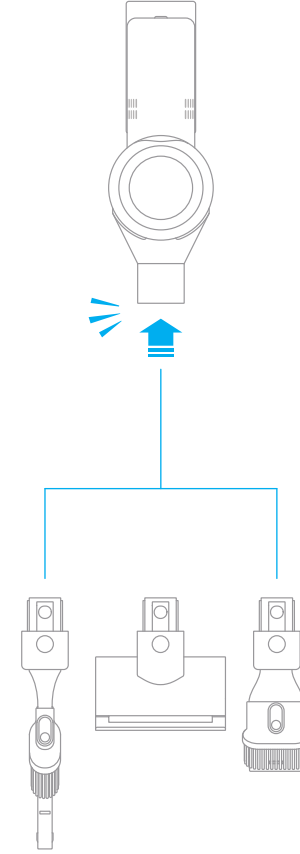
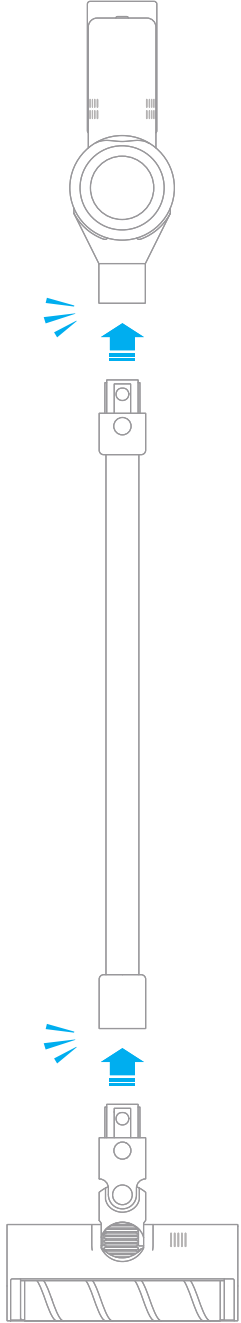


حامل شحن وتخزين 2 في 1
(بما في ذلك عدد 2 براغي وعدد 2 مقبس حائط)

التركيب

الرسم البياني لتركيب المكنسة والملحقات

أدخل إلى أن يستقر في مكانه 



تركيب حامل الشحن والتخزين 2 في 1

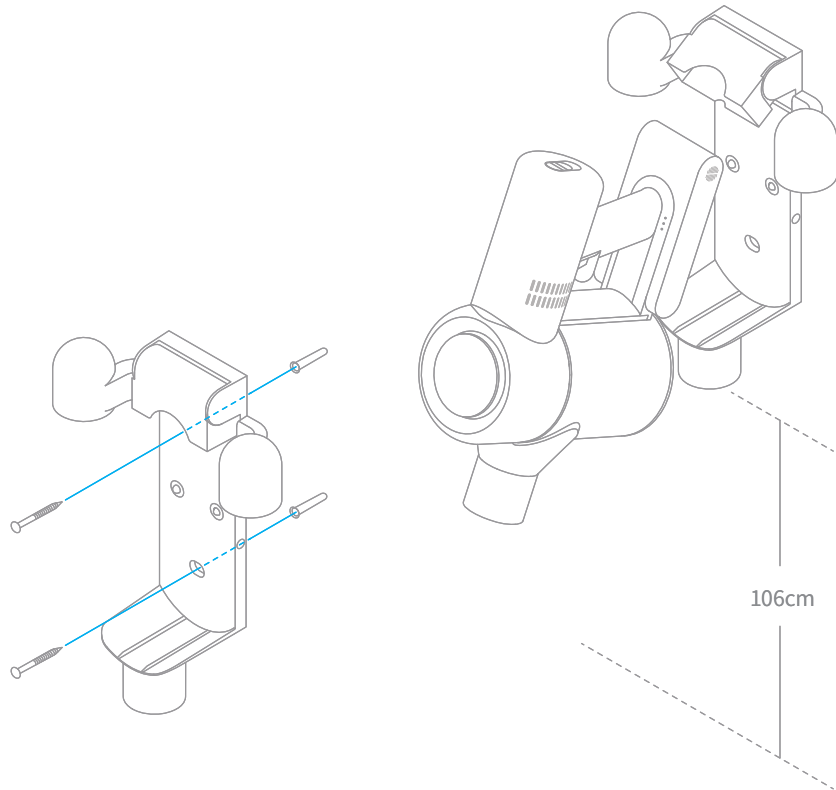
يُعد حامل الشحن والتخزين 2 في 1 ملحقاتًا اختياريًا، حيث يمكنك تركيبه وفقًا لمتطلباتك.

يجب تركيب الحامل في مكان بارد وجاف بالقرب من مأخذ الطاقة، وبعيدًا عن أشعة الشمس المباشرة، وبعيدًا عن المناطق المعرضة للرطوبة، مثل المطبخ.

قم بتركيب الحامل بإحكام باستخدام أجهزة التركيب المناسبة لنوع الجدار المحدد. تأكد من خلو منطقة التركيب من أي أنابيب مثل خطوط الغاز أو مواسير المياه، أو أنابيب التهوية، أو الأسلاك والكابلات الكهربائية، أو خطوط الصرف الصحي.

يوصى بالاستعانة متخصص لتركيب الحامل واستخدام الملابس الواقية والنظارات وأجهزة الحماية الأخرى عند الضرورة.

باستخدام مثقاب كهربائي، ضع علامات واحفر فتحتين بقطر 8 ملم في الحائط حيث ترغب في الوصول إلى عمق حوالي 30 ملم. أدخل مقبس الحائط في الثقوب، ثم اربطه بالحائط باستخدام البراغي المرفقة.



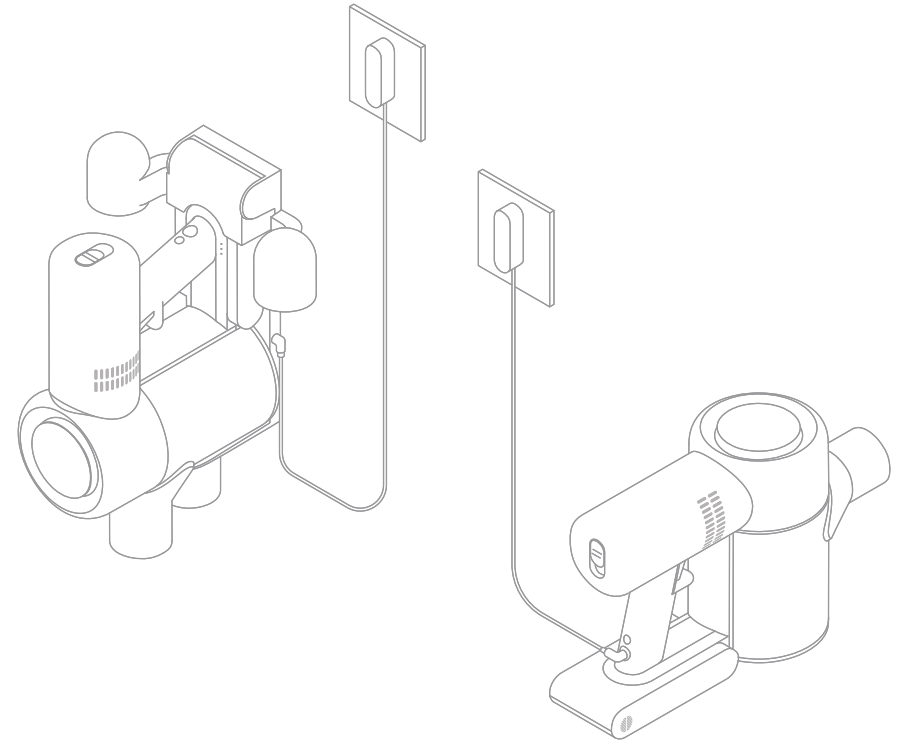
ملاحظة:

اشحن المكنسة بالكامل قبل استخدامها لأول مرة. سيستغرق هذا حوالي 4 ساعات.

لا يمكن استخدام المكنسة أثناء الشحن.

يؤدي استخدام المكنسة في وضع التربو لفترة طويلة إلى ارتفاع درجة حرارة البطارية، مما يزيد من

وقت الشحن. اترك المكنسة تبرد لمدة 30 دقيقة قبل شحنها.



مؤشر حالة البطارية

تشغيل (☀️) وميض (●) إيقاف (●)

البطارية منخفضة (●●☀️)

نصف مشحونة (●●☀️)

مشحونة بالكامل تقريبًا (☀️○)

مشحونة بالكامل (○○○)

مشحونة بالكامل (●●●)

ملاحظة: بمجرد أن يتم شحن المكنسة بالكامل، سيتم إيقاف تشغيل المؤشر بعد

5 دقائق، وسوف تدخل المكنسة في وضع توفير الطاقة.

يرجى قراءة تعليمات السلامة في دليل المستخدم هذا قبل المتابعة.

تلميحات:

استخدم دائمًا قطع الغيار الأصلية لإبقاء الضمان ساريًا.

في حالة انسداد الفلتر أو الفوهة، ستتوقف المكنسة عن العمل بعد فترة وجيزة من تشغيلها، ولاستعادة العمل، قم بتنظيف الفلتر أو الفوهة.

إذا لم يتم استخدام المكنسة لفترة طويلة، فاشحنها بالكامل، وافصل محول الطاقة الخاص بها، واحفظها في بيئة باردة منخفضة الرطوبة بعيدًا عن أشعة الشمس المباشرة. لتجنب التفريغ الزائد للبطارية، وشحن المكنسة مرة واحدة على الأقل كل 3 أشهر.

تنظيف المكنسة

امسح المكنسة باستخدام قطعة قماش جافة وناعمة.

تنظيف حجرة الغبار

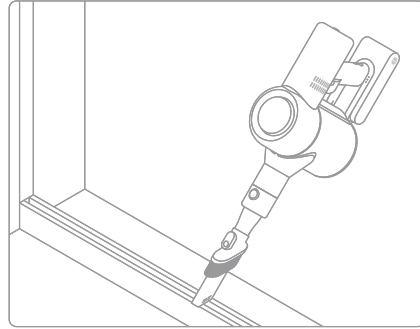
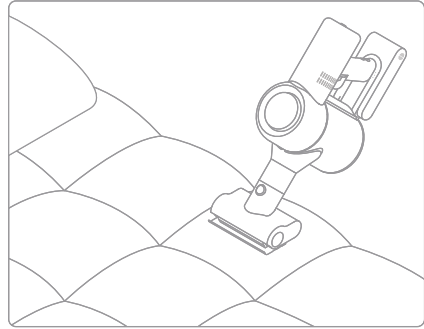
قبل تنظيف حجرة الغبار، افصل المحول وأبق المكنسة في وضع إيقاف التشغيل. ستقل قدرة التنظيف بالمكنسة عند امتلاء حجرة الغبار إلى علامة الحد الأقصى "MAX". لاستعادة الأداء، قم بإفراغ الحجرة.

لتفريغ حجرة الغبار: اضغط على زر التحرير الموجود في الجزء السفلي من الحجرة، ثم أفرغ محتوياتها.

استخدام أدوات ملحقة أخرى

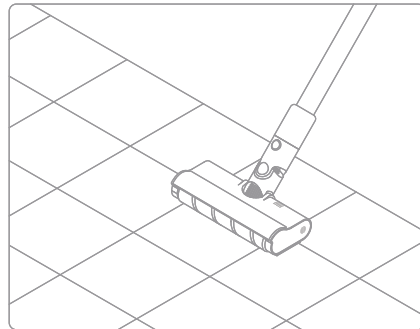
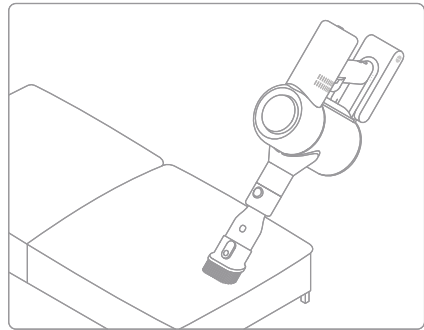
فوهة فتحة 2 في 1: مناسبة لتنظيف الشقوق وزوايا الأبواب والنوافذ والسلالم وغيرها من الأماكن التي يصعب الوصول إليها.

فرشاة العث الكهربائية: توفر الاهتزازات القوية لإجراءات تنظيف عميقة لإزالة العث والغبار من مراتب وأسطح القماش.



فوهة فرشاة 2 في 1: مناسبة لتنظيف الغبار والأوساخ من على الأسرة والأرائك وأقمشة الأثاث الأخرى.

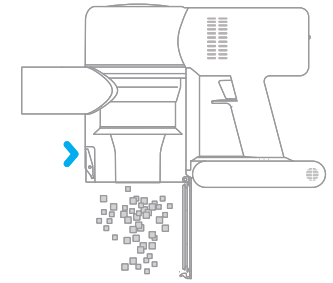
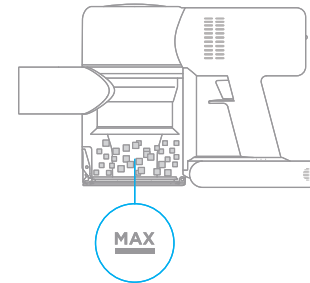
عمود فرشاة اسطوانة ناعمة: مناسب لتنظيف الأسطح الصلبة مثل الأرضية، والبلاط، والرخام، بالإضافة إلى تنظيف أجزاء أكبر من الأوساخ والحطام. يمكن أيضًا ربط عمود فرشاة الاسطوانة الناعمة بالمكنسة مباشرة.



ملاحظة:

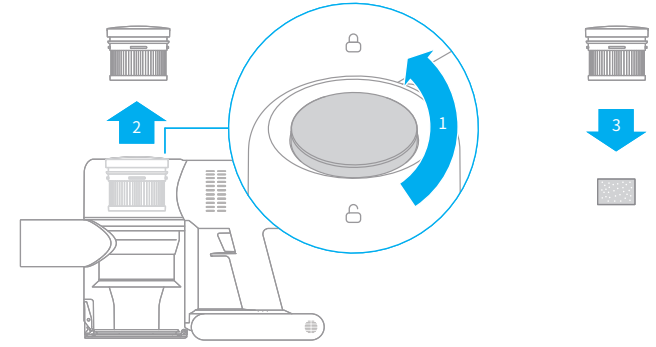
إذا أصبح أي جزء دوار عالقًا، فقد تنطفئ المكنسة تلقائيًا. قم بإزالة أي أجسام غريبة عالقة، ثم استأنف الاستخدام.

سيتم إيقاف المكنسة تلقائيًا إذا دخل المحرك في وضع الحماية من الحرارة الزائدة. انتظر حتى تعود درجة حرارة المحرك إلى وضعها الطبيعي قبل استئناف الاستخدام.



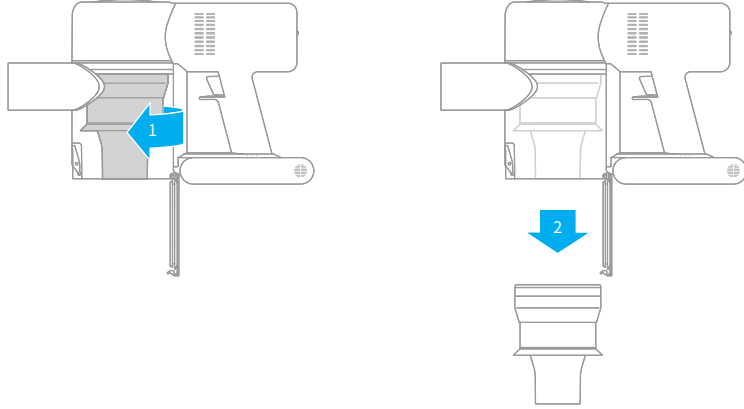
تنظيف مجموعة فلاتر HEPA

ضع المكنسة بشكل آمن على سطح مستو، ثم أدر غطاء مجموعة فلاتر HEPA في الاتجاه المشار إليه ثم اخلع مجموعة فلاتر HEPA.
ملاحظة: اخلع المطاط المدمج قبل تنظيف مجموعة فلاتر HEPA، واشطف فلتر HEPA ووسادة المطاط بالماء.



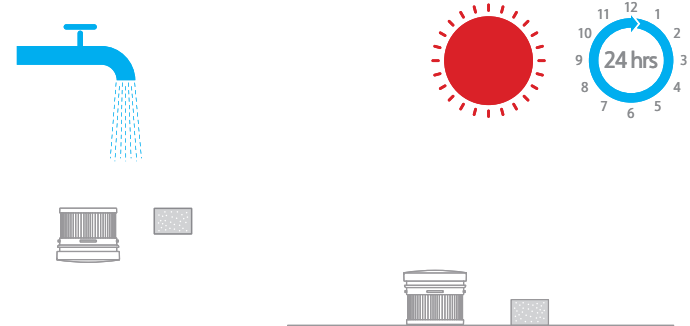
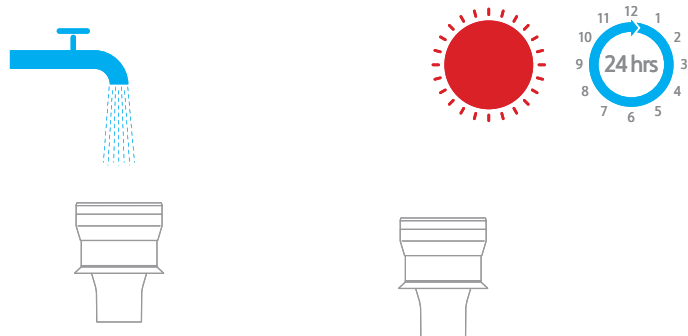
تنظيف مجموعة الفرازة المخروطية

قم بتدوير مجموعة الفرازة المخروطية في الاتجاه الموضح لفتحها، ثم اخلعها.



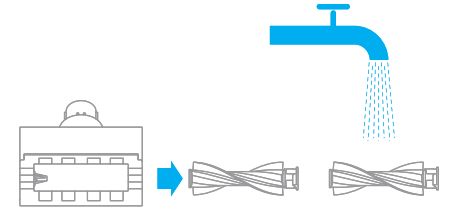
اشطف مجموعة الفرازة المخروطية بالماء حتى تصبح نظيفة. لتجفيف مجموعة الفرازة المخروطية تمامًا، احتفظ بها في مكان جيد التهوية أو باردة لمدة 24 ساعة على الأقل.
تنبيه: لا تقم بتنظيف مجموعة الفرازة المخروطية في غسالة الصحون أو غسالة الملابس، ولا تحاول تجفيفها في مجفف أو فرن أو ميكروويف أو بالقرب من مصدر لهب.
وبمجرد أن تجف، أعد تركيب مجموعة الفرازة المخروطية.

اشطف فلتر HEPA ووسادة المطاط بالماء. لإزالة جميع الأتربة الموجودة في الفلتر تمامًا، أدر فلتر HEPA بمقدار 360 درجة أثناء الشطف، واضغط برفق على الفلتر باتجاه الحوض عدة مرات لإزالة أي حطام زائد.
ضع فلتر HEPA في مكان جيد التهوية وبارد حتى يجف تمامًا.
ملاحظة: جفف الفلتر بالكامل (لمدة 24 ساعة على الأقل) قبل إعادة تركيبه.

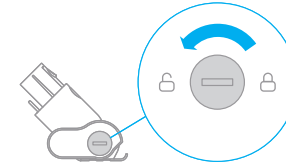


تنظيف فرشاة العث الكهربائيّة

بعد فتح رأس الفرشاة، اخلعها من فرشاة العث الكهربائي، ثم قم بشطفها وتنظيفها.

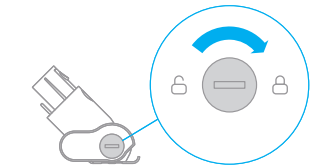
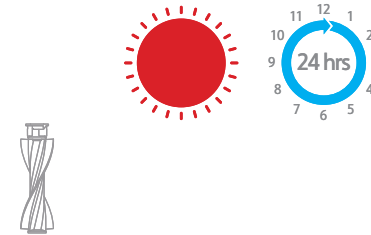


استخدم عملة معدنية كما هو موضح لتدوير القفل عكس اتجاه عقارب الساعة حتى تسمع صوت نقرة.



بمجرد جفاف عمود فرشاة الاسطوانة الناعمة، أعد تركيبه باتباع خطوات التفكيك بشكل عكسي.

ضع رأس الفرشاة في وضع مستقيم في منطقة جيدة التهوية لمدة 24 ساعة على الأقل حتى تجف تمامًا.



ملاحظة: يوصى بتنظيف فرشاة العث الكهربائي بعد كل استخدام.

تنظيف عمود فرشاة الاسطوانة الناعمة وفرشاة العث الكهربائيّة

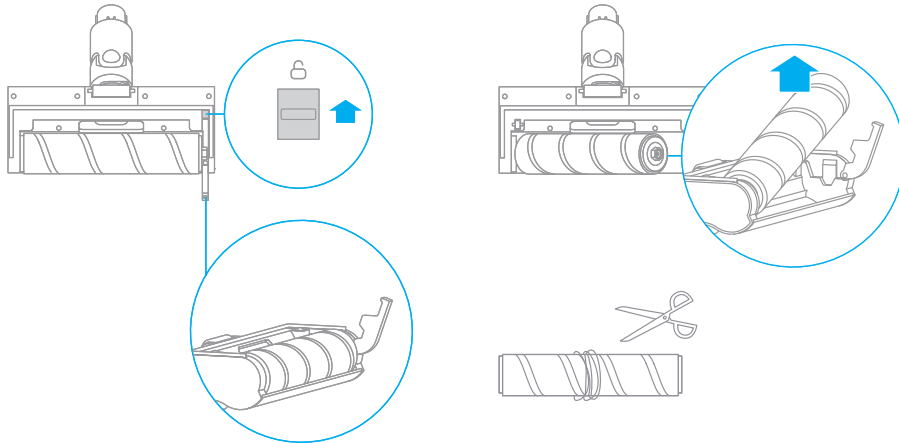
ملاحظة: لمنع حدوث ضرر من تشغيل المكنسة عن طريق الخطأ، تأكد من فصل عمود فرشاة الاسطوانة الناعمة أو فرشاة العث الكهربائيّة عن المكنسة قبل إزالة الرأس. تحتوي فرشاة العث وعمود فرشاة الاسطوانة الناعمة على مكونات كهربائية، كما يحتوي رأس عمود فرشاة الاسطوانة الناعمة على محامل.

لا تغسل هذه الأجزاء بالماء. كن حذرًا من الأشياء الحادة عند إزالة الحطام الموجود في رؤوس فرشاة العث وعمود فرشاة الاسطوانة الناعمة.

تنظيف عمود فرشاة الاسطوانة الناعمة

اضغط على زر تحرير رأس الفرشاة في اتجاه السهم حتى يفتح غطاء رأس الفرشاة، ثم أزل رأس الفرشاة برفعها في الاتجاه الموضح.

بعد الانتهاء من تنظيف عمود فرشاة الاسطوانة الناعمة، أعد تركيبه باتباع خطوات التفكيك بالعكس.



الأسئلة الشائعة

إذا كانت المكنسة لا تعمل بشكل صحيح، فيرجى الرجوع إلى جدول استكشاف الأخطاء وإصلاحها أدناه.

الأخطاء	الأسباب المحتملة	الحلول
المكنسة لا تعمل	بطارية المكنسة فارغة أو منخفضة.	اشحن المكنسة بالكامل ثم استأنف التشغيل.
	تم تشغيل وضع الحماية من السخونة الزائدة بسبب انسداد.	انتظر إلى أن تبرد المكنسة ثم أعد تنشيطها.
	تعرضت فتحة الشفط أو ممر الهواء إلى الانسداد.	قم بإزالة أي حواجز من فتحة الشفط أو ممر الهواء.
ضعف قوة الشفط	حجرة الغبار ممتلئة و/أو مجموعة فلاتر HEPA مسدودة.	أفرغ حجرة الغبار وقم بتنظيف مجموعة فلاتر HEPA.
		أزل أي حواجز موجودة في الأداة الملحقة.
الموتور يصدر صوت غريب	تعرضت فتحة الشفط أو ذراع التمديد إلى الانسداد.	أزل أي حواجز موجودة في فتحة الشفط الرئيسية أو ذراع التمديد.
المؤشر الأول باللون الأحمر بعد تشغيل المكنسة	البطارية تالفة.	يرجى الاتصال بقسم خدمة ما بعد البيع للصيانة.
يومض المؤشر الأول باللون الأحمر بعد تشغيل المكنسة.	محول الطاقة غير متوافق.	لا تستخدم سوى محول الطاقة الأصلي لشحن المكنسة.
لا يضيء مؤشر البطارية أثناء الشحن	المحول ليس موصلاً بالمكنسة.	تأكد من أن محول الطاقة موصل بشكل صحيح.
	البطارية مشحونة بالكامل ودخلت في وضع السكون.	يمكن استخدامها بشكل طبيعي.
	إذا استمرت المشكلة بعد استبعاد الاحتمالين المذكورين أعلاه،	يرجى الاتصال بقسم خدمة ما بعد البيع للصيانة.
الشحن بطيء	درجة حرارة البطارية منخفضة جداً أو مرتفعة جداً.	انتظر إلى أن تصبح درجة حرارة البطارية طبيعية، ثم عاود الاستخدام.

يحتوي هذا المنتج على بطاريات لا يمكن استبدالها إلا بمعرفة فنيين مؤهلين أو خدمة ما بعد البيع.

يحتوي هذا المنتج على بطاريات غير قابلة للاستبدال.