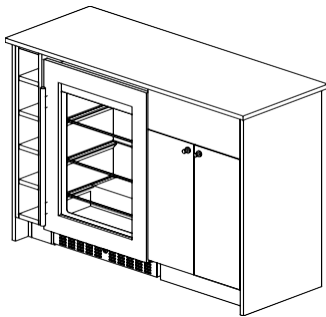


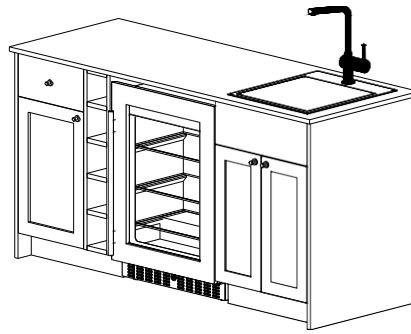
Turnkey Kitchens & Bars

Installation and User Manual



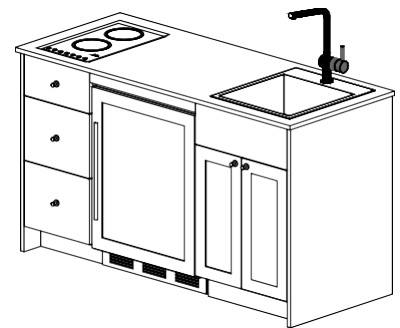
Mesa Series

MESAWH33
MESAWH35
MESAMN33
MESAMN35



Oasis Series

OASISWH33
OASISWH35
OASISMN33
OASISMN35



Caldera Series

CALDERAWH33I
CALDERAWH35I
CALDERAMN33I
CALDERAMN35I

BEFORE USE, PLEASE READ AND FOLLOW ALL SAFETY RULES AND OPERATING INSTRUCTIONS.

Write Model and Serial Numbers here:

Model _____

Serial No. _____

Felix Storch, Inc.

An ISO 9001:2015 registered company

770 Garrison Ave

Bronx, New York 10474

www.summitappliance.com

Table of Contents

1. Introduction	2
2. Safety Guidelines	2
General Safety During Installation	2
Handling Appliances Safely	2
Fire Safety	2
Proper Use and Maintenance	3
Cleaning and Maintenance Safety	3
Electrical and Water Safety	3
Safe Storage Practices	3
Handling and Disposing of Packaging	3
3. Getting Started	4
Unpacking Instructions	4
Setting Up the Area	5
4. Installation Overview	6
Adjusting Legs and Toekick (Leveling)	6
Replacing the Legs	6
Plumbing	6
Attaching the Sink and Faucet	6
Cooktop	7
Refrigerator	7
Adhering the Backsplash	7
Anchoring the Turnkey Kitchen	7
Removing Support Brace	7
Installing the Wall Cabinets	8
5. Setup	8
Attaching the Toekick	8
Attaching the Knobs	8
Adjusting the Shelf with Shelf Pins	8
Adjusting the Cabinet Door	8
6. Care & Maintenance	9
Special Care	9
Maintenance Tips	9
7. Troubleshooting	10
8. Appendix	11
9. Limited Warranty	12

1. Introduction

Welcome to Effortless Style & Instant Living!

Thank you for choosing Summit Appliance! Your new Turnkey Kitchen or Bar is designed to bring effortless style, functionality, and convenience to your space—right out of the box. Whether creating a sleek home bar, upgrading a small kitchen, or enhancing a hospitality setting, this fully assembled unit is built for seamless integration and everyday ease. This manual will guide you through everything you need to know, from setup to care instructions, ensuring you get the most out of your new kitchen or bar.

2. Safety Guidelines

General Safety During Installation

Ergonomic Hazard: Do not attempt to lift the product alone as it may result in serious injury. Always lift safely with a minimum of two people.

Professional Installation Recommended: If your turnkey kitchen requires plumbing or electrical work, it is recommended to have a certified professional install these components to avoid any safety hazards or damages.

Secure Heavy Items: When installing cabinets or shelves, ensure they are properly anchored to the wall to prevent tipping or falling.

Work Area Safety: Keep the installation area clear of obstacles, and ensure the workspace is well-lit and ventilated, especially when working with adhesives, paints, or other chemicals.

Check for Gas and Electrical Lines: Before drilling or cutting into walls, cabinets, or countertops, double-check that there are no gas, electrical, or water lines in the installation area to avoid accidental damage or injury.

Handling Appliances Safely

Power Off Before Installation: For any appliance that requires electrical connections (e.g., cooktops, dishwashers, refrigerators), ensure the power supply is turned off before installation or maintenance.

Avoid Overloading Circuits: Ensure that the kitchen appliances are plugged into outlets with the correct power rating and avoid overloading circuits. (see individual appliance user manuals for requirements).

Proper Ventilation: Ensure that the kitchen appliances such as cooktops and refrigerators are properly ventilated according to the manufacturer's guidelines to avoid overheating.

Positioning Appliances Correctly: Follow the manufacturer's guidelines for the placement and spacing of appliances, especially for items that generate heat, to reduce the risk of fire.

Fire Safety

Fire Extinguisher: Always keep a fire extinguisher in or near the turnkey kitchen and familiarize yourself with how to use it.

Never Leave Cooking Unattended: Never leave cooking food unattended on the cooktop. Always turn off appliances when finished using them.

Avoid Flammable Items Near Heat Sources: Keep towels, paper products, and other flammable items away from heat sources.

Proper Use and Maintenance

Child Safety: If young children are in the home, ensure that all appliances and drawers are safely secured. Use childproof latches on cabinets and lower drawers, and keep knives, sharp objects, and cleaning chemicals out of reach.

Regular Cleaning: Clean surfaces regularly to remove food debris and grease buildup. This will help maintain hygiene and prevent slips or accidents.

Handle Sharp Objects Carefully: Always store knives and sharp utensils in safe places, such as knife blocks or secure drawers. Use caution when handling glass or ceramic items, as they can break easily.

Check for Loose Fixtures: Periodically check for loose handles, hinges, or hardware on cabinets, drawers, and appliances. Tighten them as needed to avoid accidents.

Cleaning and Maintenance Safety

Use Non-Toxic Cleaners: Use cleaning products that are non-toxic and safe for food contact surfaces. Avoid harsh chemicals that can damage countertops, cabinets, or appliances.

Avoid Wet Floors: Wipe up any water or spills immediately from floors to prevent slipping accidents. Pay extra attention to areas near sinks and refrigerators.

Protect Surfaces: Use cutting boards to protect countertops from scratches and cuts. Avoid placing hot cookware directly onto countertops without trivets or heat-resistant pads.

Electrical and Water Safety

Waterproof Electrical Outlets: Ensure that electrical outlets near sinks and other water sources are GFCI (Ground Fault Circuit Interrupter) protected to prevent electrical shocks.

Proper Plumbing Connection: Verify that all plumbing connections are secure to avoid water leaks, which can damage the turnkey kitchen and cause mold growth.

Drainage and Ventilation: Make sure that your sink and other water fixtures are properly installed with proper drainage. Ensure that appliances have adequate airflow.

Safe Storage Practices

Heavy Items on Lower Shelves: Store heavier items on lower shelves or in lower cabinets to prevent injury from lifting heavy items overhead.

Organize for Accessibility: Store sharp objects (such as knives, scissors, etc.) in safe locations, and ensure that cleaning supplies, chemicals, and medications are locked away in childproof storage areas.

Handling and Disposing of Packaging

Proper Disposal: Once you've finished installing your turnkey kitchen, ensure that you properly dispose of packaging materials like cardboard and plastic wrap. These can create tripping hazards if left lying around and should be recycled where possible.

Recycle and Reuse: Consider recycling packaging materials and reusing parts like screws, bolts, or brackets for future projects or repairs.

3. Getting Started

Unpacking Instructions

IMPORTANT:

1. NEVER Lift Alone

Always have at least one other person to assist when lifting heavy items. The turnkey kitchens contain heavy cabinetry and countertops that can cause injury if lifted improperly or alone. Always team up for the lift.

2. Do NOT Drag the Turnkey Kitchen

Dragging the turnkey kitchen across the floor can damage both the cabinetry and the floor. Use proper lifting techniques and equipment (like dollies or sliders) to move the items.

3. Do NOT Lift from the Countertop

Lifting from the countertop can cause damage to the surface or even cause the countertop to detach. Always lift the turnkey kitchen from the base, ensuring stability.

4. Do NOT Disassemble any Parts

**Disassembling Parts Will Void Your Warranty*

Any attempt to disassemble your turnkey kitchen, unless explicitly instructed, **will void the warranty**. The unit is pre-assembled for your convenience, and disassembly can cause misalignment or damage.

NOTE: Use the provided moving straps to facilitate lifting the turnkey kitchen. **Read the instructions that came with the straps before attempting to lift the product.**

Additional Safety Tips:

1. Ensure the area is clear of obstacles to avoid tripping or damage.
2. Wear protective gear, including gloves and steel-toed shoes, to prevent injury from sharp edges or rough surfaces.
3. Check the manufacturer's manual for specific handling or unpacking instructions before proceeding.

Setting Up the Area

PREPARATION

1. Clear the Area

Ensure the entire installation space is free of any obstructions, furniture, or debris. Sweep the floor and remove any items that could interfere with the setup.

2. Protect Floors and Walls

Lay down protective coverings such as drop cloths or plywood to shield the floor and walls from damage during installation.

MEASURING THE ROOM

3. Verify Dimensions

Use a tape measure to ensure the room's measurements match the specifications in the kitchen plans. Measure the length, width, and height of the space, as well as any openings for windows or doors.

MESA: 54" W x 20 5/8" D x 35 3/4" H*

OASIS: 68 1/2" W x 25 3/4" D x 35 3/4" H*

CALDERA: 62 5/8" W x 25 3/4" D x 35 3/4" H*

** All ADA-compliant turnkey kitchens are designed with a height of 33 3/4"*

4. Check for Level Surface

Use a spirit level to confirm that the floor and walls are level. If any irregularities are found, take note of them, as adjustments may need to be made during installation. (See leveling instructions on page 6)

5. Mark Key Locations

Mark on the floor where major components such as cabinets, appliances, or plumbing will be placed.

POSITIONING THE TURNKEY KITCHEN

6. Check for Proper Fit

Place the turnkey kitchen into its designated spot to ensure it fits correctly. Adjust placement as needed to ensure even spacing from walls or other units.

CHECK LIST

Upon receiving the turnkey kitchen, immediately verify the delivery with the packing list. Ensure all boxes and components listed are present:

A. Check for Damages

B. Check Manufacturer Labels

C. Inventory Check (vary by model)

- Turnkey Kitchen (1)
- Lifting Straps (2)
- Harness (2)
- Harness Instructions (1)
- Backsplash (1)
- Refrigerator (1)
- Sink (1)
- Faucet (1)
- Miscellaneous Box (1)

D. Basic Tools (not included)

- Utility Knife
- Tape Measure
- Leveler
- Spacer(s)
- Philips Head Screwdriver
- Wrench
- Silicone
- Touch-Up Paint Pen

4. Installation Overview

IMPORTANT:

- Ensure all steps are completed in the order listed to avoid any complications.
- Professional installation is recommended for tasks involving plumbing and anchoring to the wall and floor.
- Refer to the manufacturer's manuals for each appliance (i.e. refrigerator, cooktop) for detailed installation instructions.

Adjusting Legs and Toekick (Leveling)

Each leg should be firmly grounded for maximum support. Allow enough space to attach the toekick.

1. Extend the legs by twisting them gently. **Do not use excessive force.**
2. Ensure the turnkey kitchen is leveled.
3. Snap the toekick in place.

Replacing the Legs

If the legs need to be replaced, locate them in the miscellaneous box included with your unit.

1. If the leg base requires replacement, unscrew the existing base and install the new one. If the base is intact, proceed to the next step.
2. Insert the leg into the leg base and adjust the height as needed.
3. If the clip on the toekick needs replacement, slide off the old clip and attach the new one.
4. Snap the leg into place securely.

Plumbing

(Applicable for Oasis & Caldera Only)

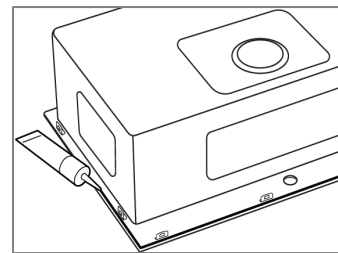
NOTE: For installation involving plumbing, **professional installation is strongly recommended** to ensure all the connections are secure and meet local building codes.

Attaching the Sink and Faucet

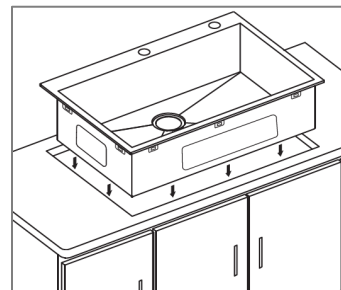
The sink is not pre-installed and must be sealed to the countertop using silicone. **If you do not have the necessary skills to complete this installation, it is recommended to hire a professional.**

Follow these steps to properly attach the sink to the countertop:

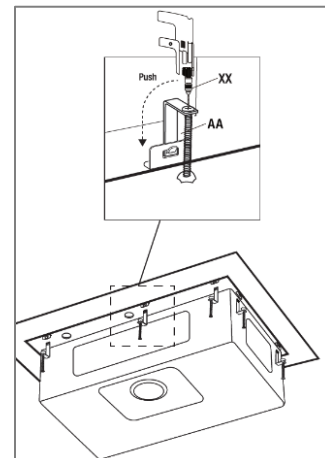
1. Apply silicone sealant around the underside and lip of the sink.



2. Insert the sink into the counter. Allow it sit for a few minutes to allow the silicone to set.



3. Screw the mounting clips (10pcs) with a drill.



Follow these steps to properly attach the faucet to the sink:

1. Remove the mounting hardware and set aside.
2. Position faucet body to the sink hole.
3. Secure the mounting hardware till snug. (**Figure 1**)
4. Attach the spray hose and install counterweight on spray hose. (**Figure 2**)



Figure 1

5. Connect waterlines and tighten with a wrench. **If you are unfamiliar with plumbing, we recommend seeking professional help for this step.**
6. Detach the spray head from the hose to flush out debris. Hold the tip of the spray hose, turn on the faucet, and let the water run for 60 seconds.
7. Check for leaks, tighten if necessary.

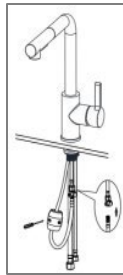


Figure 2

Anchoring the Turnkey Kitchen

After installing the spacers, anchor the turnkey kitchen with the following methods:

NOTE: Anchoring the turnkey kitchen requires drilling through the wall and/or the floor. Proper **spacer placement is essential** for a secure installation. If you are unsure how to install spacers correctly, **professional installation is recommended.**

1. Use the pre-drilled holes in the metal frame located on the back of the cabinetry with the appropriate spacer for secure attachment.
2. Alternatively, drill through the back cabinets to anchor the unit.

Both methods provide added support and security for the installation.

Removing Support Brace

(If applicable to your turnkey kitchen)

Only remove the support brace after properly installing the unit.

1. Locate the brace at the front of the cavity.
2. Remove the screws on each side of the brace.
3. Discard the brace.

Refrigerator

(CT661WBIIF, CT661WBIIFADA, ASDG2411PNR, SDHG2443PNR, AL57GPNR, CL24BV1)

1. Connect the Refrigerator:

Before pushing the refrigerator in place, connect it to the power source.

2. Adjust the Legs:

Make sure the refrigerator is level by adjusting its legs if necessary. Raise the refrigerator legs to decrease the gap between the counter for a cleaner more cohesive look.

3. Consult the Refrigerator's Manual:

Refer to the refrigerator's user manual for additional installation instructions and power requirements.

Cooktop

(SINC2B115)

Consult the Cooktop's Manual:

Refer to the cooktop's user manual for additional installation instructions and power requirements.

Adhering the Backsplash

(Optional)

Consider attaching the backsplash before anchoring the kitchen, depending on your installation preferences.

1. Apply silicone along the edge of the countertop.
2. Position the backsplash.
3. Use temporary braces to hold the backsplash in place until the silicone cures.

Installing the Wall Cabinets

(Sold Separately)

Wall cabinets are available as optional accessories and are not included with the unit. Installation hardware is not supplied.

Please consult a contractor for correct installation.

1. Select appropriate hardware based on your wall type and the weight of the cabinets.
2. Measure and mark the desired height and position of the cabinets on the wall. Use a level to ensure accuracy.
3. Locate and mark stud positions, then drill pilot holes through the back of the cabinet.
4. Secure the cabinet to the wall using screws long enough to provide a firm hold.

5. Setup

Attaching the Toekick

1. Align with the front legs and snap into place.

Refer to page 6 of the manual if the legs need to be replaced before attaching the toekick.

Attaching the Knobs

1. Attach knobs to the cabinets and drawers and screw them into place.
2. Ensure they're snug but not overly tight, which could damage the materials.

Adjusting the Shelf with Shelf Pins

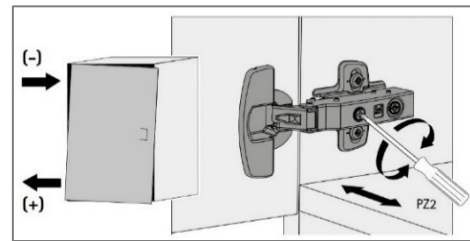
To adjust the shelf height inside your cabinets:

1. Reposition the pins in different holes to set the shelf at the desired height.
2. Ensure the shelf is stable and securely positioned.

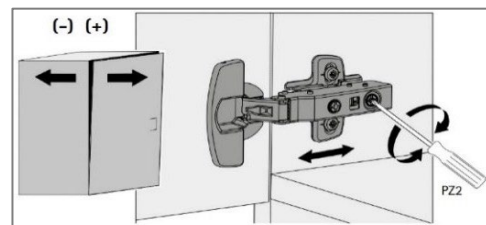
Adjusting the Cabinet Door

To adjust the **overlay** and **projection** of the cabinet doors, use a **Phillips head screwdriver** to turn the screws on the hinge till the doors align.

1. **Overlay Adjustment** (Left/Right): The screw closest to the cabinet door.



2. **Projection Adjustment** (Front/Back): The screw furthest from the cabinet door.



3. Check that doors open and close evenly once adjustments are complete.

6. Care & Maintenance

Your turnkey kitchen requires regular care to preserve its functionality and efficiency. Follow the suggested care and maintenance tips to extend the lifespan of your turnkey kitchen.

Special Care

Countertop

- **Clean Immediately After Use:** Wipe down spills promptly to prevent staining.
- **Use Trivets or Hot Pads:** Protect countertops from heat when cooking with hot pots or pans.
- **Avoid Sharp Objects Directly on Counter:** Use a cutting board to prevent scratches.

Cabinets

- **Wipe Down Surfaces Regularly:** Use a soft cloth with a gentle cleaning solution to wipe down cabinet faces and handles. Avoid harsh chemicals that could damage finishes.
- **Avoid Moisture Exposure:** Keep cabinets dry, especially around sink areas, to prevent swelling or warping of wood.

Sink

- **Clean Faucets and Sink Regularly:** Use a non-abrasive cleaner to prevent buildup.
- **Unclog Drains:** Check and clean drains regularly to avoid clogs.
- **Check for Leaks:** Inspect faucets and pipes periodically for any leaks.

Daily Care

- Put items back after use
- Wipe down shelves regularly
- Keep the under-sink area dry
- Organize items based on frequency

Appliances

See Use and Care guide provided with your appliance.

WARNING: Avoid setting toasters, coffee makers, and other heating appliances which may expose cabinets to long-term heat and humidity. The continuous heat and steam they generate can damage the cabinet finishes over time.

Maintenance Tips

- Use touch-up paint to cover minor scuffs or scratches — refer to the recommended colors below for the best match.
- Regularly clean and declutter cabinet interiors to maintain functionality.
- Avoid overloading cabinets to ensure long-term durability.

Recommended Touch-Up Paint Colors:

- a. SW 2739 - **Charcoal Blue**
- b. SW 7005 - **Pure White**

NOTE: In some cases, touch-up kits may be available to assist with minor cosmetic repairs. Availability is limited and not guaranteed with every kitchen. Please contact us for more information if needed.

7. Troubleshooting

Problem	Possible Cause	Solution
Broken leg	<ul style="list-style-type: none"> • Dragging the unit • Tilting the unit 	<ul style="list-style-type: none"> • Order new legs from our website
Cabinets are chipped or scratched	<ul style="list-style-type: none"> • Normal wear and tear over time 	<ul style="list-style-type: none"> • Apply touch-up paint
Cabinet doors are misaligned	<ul style="list-style-type: none"> • Loose or worn hinges • Warped or swollen wood due to moisture 	<ul style="list-style-type: none"> • Adjust hinges • Check for moisture
Leaky faucet	<ul style="list-style-type: none"> • Worn out rubber washers • Loose faucet 	<ul style="list-style-type: none"> • Shut off water supply • Replace washers • Reassemble faucet

If you have checked the information above and you still need help with your appliance, call our Customer Service facility at **800-932-4267** (Ext. **513**) between 9:00 AM and 5:00 PM ET or visit our website **summitappliance.com/support** at any time. We will do our best to answer your questions.

To order replacement parts, visit our website: **summitapplianceparts.com**



8. Appendix

Chart of Replaceable Kitchen Components and Their Part Numbers		
Component	Part Number	Description/Notes
Door Pair	CB-DR-B-24DD-MN-SL	Door Pair for 24"W Base Cabinet - Navy, Slab
Door Pair	CB-DR-W-2430DD-MN-SL	Door Pair for 24"W x30"H Wall Cabinet - Navy, Slab
Door Pair	CB-DR-W-2418DD-MN-SL	Door Pair for 24"W x18"H Wall Cabinet - Navy, Slab
Door Pair	CB-DR-W-2412DD-MN-SL	Door Pair for 24"W x12"H Wall Cabinet - Navy, Slab
Door Pair	CB-DR-B-21DD-MN-SL	Door Pair for 21"W Base Cabinet - Navy, Slab
Door Pair	CB-DR-W-21DD-MN-SL	Door Pair for 21"W Wall Cabinet - Navy, Slab
Right Hand Door	CB-DR-B-15RH-MN-SL	Door RH for 15"W Base Cabinet - Navy, Slab
Left Hand Door	CB-DR-B-15LH-MN-SL	Door LH for 15"W Base Cabinet - Navy, Slab
Right Hand Door	CB-DR-W-1530RH-MN-SL	Door RH for 15"W Wall Cabinet - Navy, Slab
Left Hand Door	CB-DR-W-1530LH-MN-SL	Door LH for 15"W Wall Cabinet - Navy, Slab
Flip Up Door	CB-DR-W-2018FU-MN-SL	Door FU for 20"W Wall Cabinet - Navy, Slab
Top Drawer	CB-DWT-B-24-MN-SL	Top Drawer for 24"W Base Cabinet - Navy, Slab
Top Drawer	CB-DWT-B-21-MN-SL	Top Drawer for 21"W Base Cabinet - Navy, Slab
Top Drawer	CB-DWT-B-15-MN-SL	Top Drawer for 15"W Base Cabinet - Navy, Slab
Bottom Drawer	CB-DWB-B-15-MN-SL	Bottom Drawer for 15"W Base Cabinet - Navy, Slab
Door Pair	CB-DR-B-24DD-WH-SH	Door Pair for 24"W Base Cabinet - White, Shaker
Door Pair	CB-DR-W-2430DD-WH-SH	Door Pair for 24"W x30"H Wall Cabinet - White, Shaker
Door Pair	CB-DR-W-2418DD-WH-SH	Door Pair for 24"W x18"H Wall Cabinet - White, Shaker
Door Pair	CB-DR-W-2412DD-WH-SH	Door Pair for 24"W x12"H Wall Cabinet - White, Shaker
Door Pair	CB-DR-B-21DD-WH-SH	Door Pair for 21"W Base Cabinet - White, Shaker
Door Pair	CB-DR-W-21DD-WH-SH	Door Pair for 21"W Wall Cabinet - White, Shaker
Right Hand Door	CB-DR-B-15RH-WH-SH	Door RH for 15"W Base Cabinet - White, Shaker
Left Hand Door	CB-DR-B-15LH-WH-SH	Door LH for 15"W Base Cabinet - White, Shaker
Right Hand Door	CB-DR-W-1530RH-WH-SH	Door RH for 15"W Wall Cabinet - White, Shaker
Left Hand Door	CB-DR-W-1530LH-WH-SH	Door LH for 15"W Wall Cabinet - White, Shaker
Flip Up Door	CB-DR-W-2018FU-WH-SH	Door FU for 20"W Wall Cabinet - White, Shaker
Top Drawer	CB-DWT-B-24-WH-SH	Top Drawer for 24"W Base Cabinet - White, Shaker
Top Drawer	CB-DWT-B-21-WH-SH	Top Drawer for 21"W Base Cabinet - White, Shaker
Top Drawer	CB-DWT-B-15-WH-SH	Top Drawer for 15"W Base Cabinet - White, Shaker
Bottom Drawer	CB-DWB-B-15-WH-SH	Bottom Drawer for 15"W Base Cabinet - White, Shaker

To order replacement parts, visit our website: summitapplianceparts.com

9. Limited Warranty

Scope of Warranty:

Within the 48 contiguous United States, for one year from the date of purchase, when the Turnkey Kitchens and Bars are utilized and maintained according to the instructions attached to or furnished with the product, the warrantor will pay for factory-specified parts. Outside the 48 states, all parts are warranted for one year from manufacturing defects. Plastic parts, shelves, and cabinets are warranted to be manufactured to commercially acceptable standards and are not covered from damage during handling or breakage. This warranty does not cover cabinets sold or shipped outside of the United States and Canada. The warranty is valid only for the original purchaser of the cabinets and is not transferable to subsequent owners.

This limited warranty applies to all materials, labor, workmanship, and furniture components provided as part of the turnkey kitchen installation.

Warranty Coverage:

1. APPLIANCES:

For appliances provided as part of the turnkey kitchen, the manufacturer's warranty applies. Please refer to the manufacturer's documentation for specific terms and conditions regarding appliance coverage.

2. COUNTERTOPS:

Not Covered Under Warranty

The countertop provided as part of the turnkey kitchen installation is not covered under this warranty.

3. FINISHES:

Painted, stained, or lacquered surfaces may develop minor signs of wear over time with regular use. While our finishes are applied with care and tested for durability, normal household activity may result in light scratches, scuffs, or subtle color changes, which are not considered defects.

The furniture may expand and contract slightly in response to environmental changes, which can lead to small shifts in finish appearance—such as hairline cracks at joints or slight color variation over time. These natural changes are expected characteristics of the material and are not covered under this Limited Warranty.

4. CABINETS, HARDWARE, AND COMPONENTS :

We warrant that all hardware, including drawer slides, hinges, tracks, sink, faucet and other moving components, will function as intended and remain free from defects under normal use for 1 year. The warranty period is applicable for the hardware for 1 year from the date of original purchase. A detailed chart listing the components that may be replaced, along with their corresponding part numbers for ordering, can be found in the product manual or on our website. Damage due to installation error, product abuse, misuse or use of cleaners not in compliance are excluded from the warranty.

5. EXCLUSIONS:

This warranty does not cover:

- **DISASSEMBLY OR MODIFICATIONS:** ANY DISASSEMBLY, MODIFICATION, OR ALTERATION OF THE INSTALLED TURNKEY KITCHEN BY THE CUSTOMER OR A THIRD PARTY WILL VOID THIS WARRANTY. THIS INCLUDES BUT IS NOT LIMITED TO THE REMOVAL, REARRANGEMENT, OR REINSTALLATION OF ANY TURNKEY KITCHEN COMPONENTS, CABINETS, OR APPLIANCES THAT WERE PART OF THE ORIGINAL INSTALLATION.
- Service calls to correct the installation of your product, to instruct you how to use your product, to replace or repair fuses, or to correct wiring or plumbing.
- Damage resulting from accident, alteration, misuse, abuse, fire, flood, acts of God, improper installation, installation not in accordance with electrical or plumbing codes, or use of products not approved by the warrantor.
- Replacement parts or repair labor costs for units operated outside the United States.
- Natural wear and tear (such as fading, cracking, or discoloration due to normal aging or exposure).
- Damage from environmental factors such as humidity, temperature extremes, or water damage (temperature range of 50-85°F / 10-29°C and humidity range of 30-55% are considered acceptable).
- Cosmetic imperfections such as minor scratches or color variations inherent in natural materials.
- Damage caused by improper maintenance or cleaning.

- The removal and reinstallation of your appliance if it is installed in an inaccessible location or is not installed in accordance with published installation instructions.
- Any issues arising from non-compliance with maintenance guidelines.

6. CARE AND MAINTENANCE:

To maintain this warranty, the Customer must follow the care and maintenance instructions provided with the turnkey kitchen. Proper care includes regular cleaning with appropriate products and avoiding exposure to harmful elements such as harsh chemicals or abrasive cleaning tools. Failure to follow these guidelines may void the warranty.

7. WARRANTY CLAIMS:

To make a warranty claim, the Customer must notify Summit Appliance via phone or email within 30 days of discovering any issue. Please include a detailed description of the problem, photos (if applicable), and proof of purchase/installation.

8. DISCLAIMER OF IMPLIED WARRANTIES AND LIMITATION OF REMEDIES:

THE CUSTOMER'S SOLE AND EXCLUSIVE REMEDY UNDER THIS LIMITED WARRANTY SHALL BE PRODUCT REPAIR AS PROVIDED HEREIN. IMPLIED WARRANTIES, INCLUDING WARRANTIES OF MERCHANTABILITY OR FITNESS FOR A PARTICULAR PURPOSE, ARE LIMITED TO ONE YEAR. WARRANTOR SHALL NOT BE LIABLE FOR INCIDENTAL OR CONSEQUENTIAL DAMAGES. SOME STATES DO NOT ALLOW THE EXCLUSION OR LIMITATION OF INCIDENTAL OR CONSEQUENTIAL DAMAGES, OR LIMITATIONS ON THE DURATION OF IMPLIED WARRANTIES OF MERCHANTABILITY OR FITNESS, SO THESE EXCLUSIONS OR LIMITATIONS MAY NOT APPLY TO YOU. THIS WARRANTY GIVES YOU SPECIFIC LEGAL RIGHTS AND YOU MAY ALSO HAVE OTHER RIGHTS, WHICH VARY FROM STATE TO STATE.

9. WARRANTY PERFORMANCE:

If a defect does occur within the terms and conditions of this warranty such defective part will be repaired or replaced by Summit Appliance at its sole discretion. Summit Appliance will not provide or pay for the cost of removal of defective product, transportation of defective, repaired or replaced product or installation of repaired or replaced product. If it is not commercially feasible to repair or replace a defective product, we may refund the original price paid by you for the defective product or provide a credit towards

a similar type of product sold by us. Summit Appliance will not be responsible for any shipping damages to the defective, replaced or repaired product. If defective item has been discontinued or is not available at the time, we reserve the right to replace the item with the most similar item available in our inventory at that time. We reserve the right to alter design, specifications and material without obligation to make similar changes to products previously manufactured. Summit Appliance cannot guarantee that the finish of any replacement will exactly match the finish and appearance of the defective item due to the natural ageing process of the wood and finishes of the cabinets. Summit Appliance may require at its discretion that the customer submit a clear photo, or that a company representative inspects the item being claimed before honoring this warranty.

10. TRANSFERABILITY:

This warranty applies only to the original Customer and is not transferable to future owners or third parties.

NOTE:

Please do not send back any items prior to receiving proper authorization from customer service. Summit Appliance takes no responsibility on any items sent back without proper return authorization.

Contact Information:

For warranty claims or questions, please contact:
 Summit Appliance at:
 1-800-932-4267 ext. 5111
 service@summitappliance.com
 770 Garrison Ave. Bronx, New York 10474
www.summitappliance.com/support



Notes



Felix Storch, Inc.

An ISO 9001:2015 registered company
770 Garrison Ave
Bronx, New York 10474
www.summitappliance.com