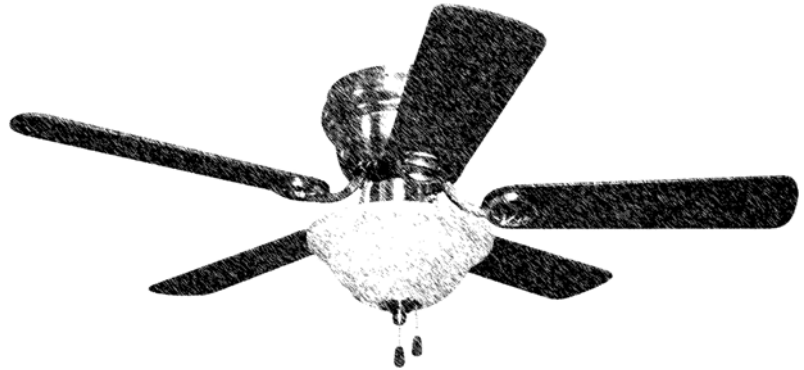


# CRAFTMADE™

READ THESE INSTRUCTIONS AND  
SAVE THEM FOR FUTURE USE



## Wyman

# Installation Guide

For Model:  
**WC42-1 light**

### Table of Contents:

Safety Tips. pg. 2

Unpacking Your Fan. pg. 3

Parts Inventory. pg. 3

Installation Preparation. pg. 4

Hanging Bracket Installation. pgs. 4 - 5

Wiring. pg. 5

Fan Assembly. pg. 6

Motor Housing Assembly. pg. 6

Blade Assembly. pg. 7

Light Kit Assembly (Optional). pgs. 7 - 9

Testing Your Fan. pg. 9

Troubleshooting. pg. 10

Parts Replacement. pg. 10

Warranty. pg. 10



Intertek

net weight of fan: 12.33 lb. (5.59 kg)

PRINTED IN CHINA

## SAFETY TIPS.

**WARNING:** To reduce the risk of electrical shock, turn off the electricity to the fan at the main fuse box or circuit panel before you begin the fan installation or before servicing the fan or installing accessories.

1. **READ ALL INSTRUCTIONS AND SAFETY INFORMATION CAREFULLY BEFORE INSTALLING YOUR FAN AND SAVE THESE INSTRUCTIONS.**

**CAUTION:** To avoid personal injury, the use of gloves may be necessary while handling fan parts with sharp edges.

2. Make sure all electrical connections comply with Local Codes or Ordinances, the National Electrical Code, and ANSI/NFPA 70-1999. If you are unfamiliar with electrical wiring or if the house/building wires are different colors than those referred to in the instructions, please use a qualified electrician.
3. Make sure you have a location selected for your fan that allows clear space for the blades to rotate, and at least seven (7) feet (2.13 meters) of clearance between the floor and the fan blade tips. The fan should be mounted so that the tips of the blades are at least thirty (30) inches (76 centimeters) from walls or other upright structures.
4. The outlet box and ceiling support joist used must be securely mounted, and capable of supporting at least 35 pounds (16 kilograms). The outlet box must be supported directly by the building structure. Use only ETL or UL listed outlet boxes marked "FOR FAN SUPPORT."

**WARNING:** To reduce the risk of fire, electrical shock, or personal injury, mount to the outlet box marked "Acceptable for Fan Support of 15.9 kg (35 lbs.) or less," and use the mounting screws provided with the outlet box. Most outlet boxes commonly used for the support of lighting fixtures are not acceptable for fan support and may need to be replaced. Consult a qualified electrician if in doubt.

**WARNING:** To reduce the risk of fire, electrical shock, or personal injury, wire connectors provided with this fan are designed to accept only one 12 gauge house wire and two lead wires from the fan. If your house wire is larger than 12 gauge or there is more than one house wire to connect to the corresponding fan lead wires, consult an electrician for the proper size wire connectors to use.

5. Electrical diagrams are for reference only. Light kits that are not packed with the fan must be ETL or UL listed and marked suitable for use with the model fan you are installing. Switches must be ETL or UL general use switches. Refer to the instructions packaged with the light kits and switches for proper assembly.
6. After installation is complete, check that all connections are absolutely secure.
7. After making electrical connections, spliced conductors should be turned upward and pushed carefully up into the outlet box. The wires should be spread apart with the grounded conductor and the equipment-grounding conductor on opposite sides of the outlet box.

**WARNING:** To reduce the risk of electrical shock or fire, do not use this fan with any solid state speed control device or control fan speed with a full range dimmer switch. [Using a full range dimmer switch to control fan speed will cause a loud humming noise from fan.]

8. Do not operate the reverse switch until fan has come to a complete stop.
9. Do not insert anything between the fan blades while they are rotating.

**WARNING:** To reduce the risk of personal injury, do not bend the blade arms during assembly or after installation. Do not insert objects into the path of the blades.

**WARNING:** To avoid personal injury or damage to the fan and other items, be cautious when working around or cleaning the fan.

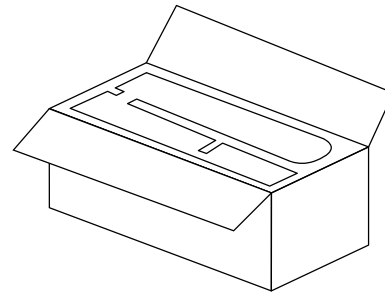
10. Do not use water or detergents when cleaning the fan or fan blades. A dry dust cloth or lightly dampened cloth will be suitable for most cleaning.

**WARNING:** To reduce the risk of personal injury, use **only** parts provided with this fan. **The use of parts OTHER than those provided with this fan will void the warranty.**

**NOTE:** The important safety precautions and instructions appearing in the manual are not meant to cover all possible conditions and situations that may occur. It must be understood that common sense and caution are necessary factors in the installation and operation of this fan.

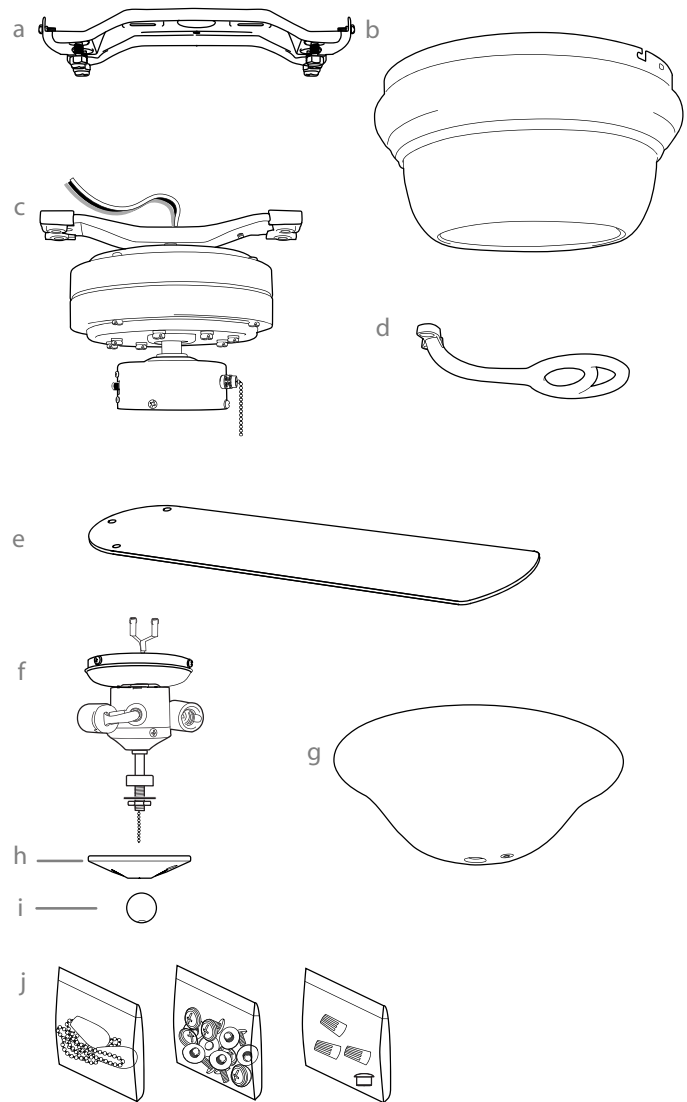
# 1. Unpacking Your Fan.

Carefully open the packaging. Remove items from Styrofoam inserts. Remove motor housing and place on carpet or Styrofoam to avoid damage to finish. Do not discard fan carton or Styrofoam inserts should this fan need to be returned for repairs. Check against parts inventory that all parts have been included.



# 2. Parts Inventory.

- a. hanging bracket. 1 piece
- b. motor housing. 1 piece
- c. motor assembly. 1 piece
- d. blade arm. 5 pieces
- e. blade. 5 pieces
- f. light kit fitter. 1 piece
- g. glass shade. 1 piece
- h. finial plate (pre-attached to light kit fitter). 1 piece
- i. finial (pre-attached to light kit fitter). 1 piece
- j. hardware packs



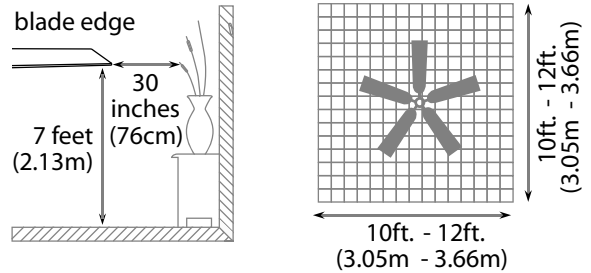
**IMPORTANT REMINDER:** You must use the parts provided with this fan for proper installation and safety.

**required bulbs:**  
2 x 60 watt max. candelabra base bulbs  
(included)



### 3. Installation Preparation.

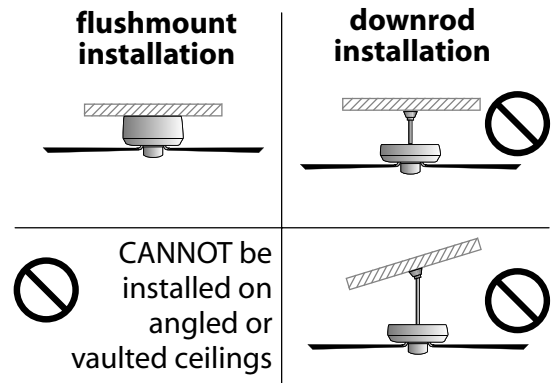
To prevent personal injury and damage, ensure that the hanging location allows the blades a clearance of 7ft. (2.13m) from the floor and 30in. (76cm) from any wall or obstruction. This fan is suitable for room sizes up to 144 square feet (13.4 square meters).



This fan can be mounted as a **flushmount** on a regular (no-slope) ceiling *only*. **Downrod** installations are **not** available for this fan.

#### Installation requires these tools:

Phillips screwdriver, flat-head screwdriver, adjustable pliers or wrench, stepladder, wire cutters, and rated electrical tape.



### 4. Hanging Bracket Installation.

Turn off circuit breakers to current fixture from breaker panel and be sure operating light switch is turned to the OFF position.

**WARNING:** Failure to disconnect power supply prior to installation may result in serious injury.

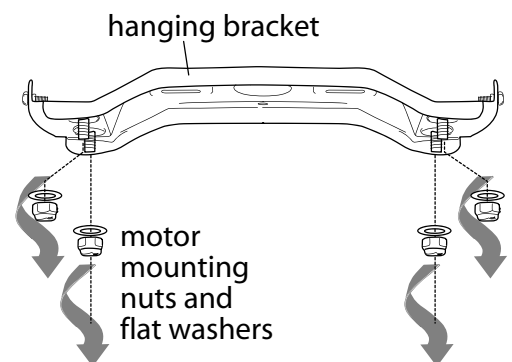
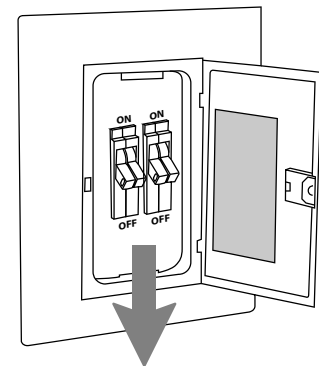
Remove existing fixture.

**WARNING:** When using an existing outlet box, be sure the outlet box is securely attached to the building structure and can support the full weight of the fan. Ensure outlet box is clearly marked "Suitable for Fan Support." If not, it must be replaced with an approved outlet box. Failure to do so can result in serious injury.

**CAUTION:** Be sure outlet box is grounded properly and that a ground wire (**GREEN** or bare) is present.

Remove 4 motor mounting nuts and flat washers from hanging bracket--save for later use.

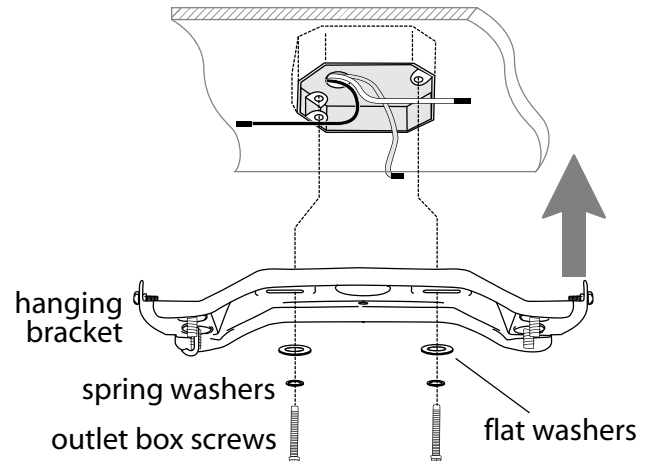
**["Hanging Bracket Installation" continued on next page.]**



## 4. Hanging Bracket Installation. (cont.)

Install hanging bracket to outlet box using original screws, spring washers and flat washers provided with new or original outlet box.\* Pull electrical wiring from outlet box through center hole in the hanging bracket.

**\*Note:** It is very important that you use the proper hardware when installing the hanging bracket as this will support the fan.



## 5. Wiring.

**WARNING:** Turn off circuit breakers to current fixture from breaker panel and be sure switch is turned to the OFF position.

Lift motor assembly to hanging bracket and slide slot at one end of motor assembly over j-hook on hanging bracket. This will allow motor assembly to hang out of the way while wiring.

**Tip:** Seek the help of another person to hold the stepladder in place and to lift the fan up to you once you are set on the ladder.

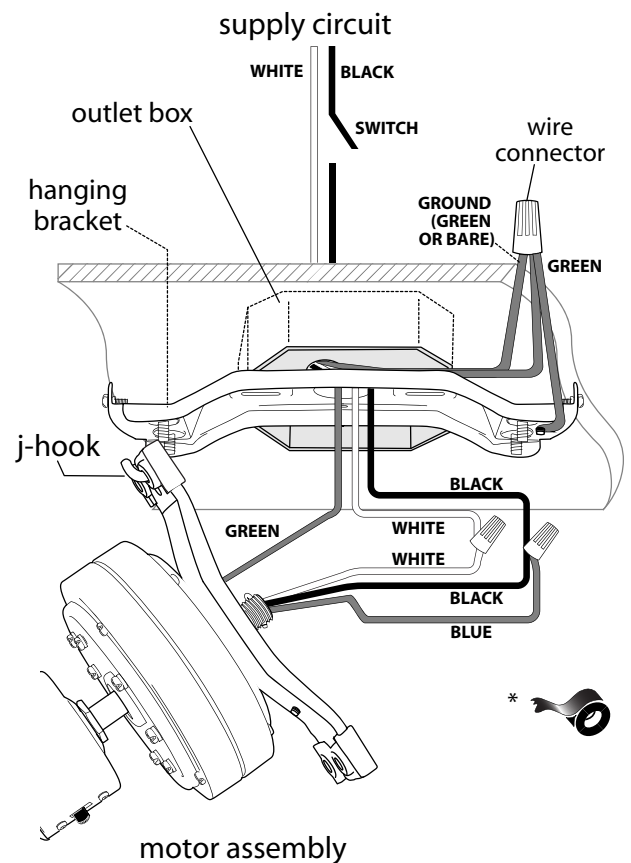
**CAUTION:** Be sure outlet box is properly grounded and that a ground wire (**GREEN** or Bare) is present.

Make sure all electrical connections comply with Local Codes or Ordinances and the National Electrical Code. If you are unfamiliar with electrical wiring or if the house/building wires are different colors than those referred to below, please use a qualified electrician.

When fan is secured in place on the hanging bracket, electrical wiring can be made as follows: Connect **BLACK** and **BLUE** wires from fan to **BLACK** wire from ceiling with wire connector provided. Connect **WHITE** wire from fan to **WHITE** wire from ceiling with wire connector provided. Connect all **GROUND (GREEN)** wires together from fan to **BARE/GREEN** wire from ceiling with wire connector provided.

If you intend to control the fan light with a separate light switch, connect **BLUE** wire from fan to the **BLACK** (or **RED**) supply from the independent switch.

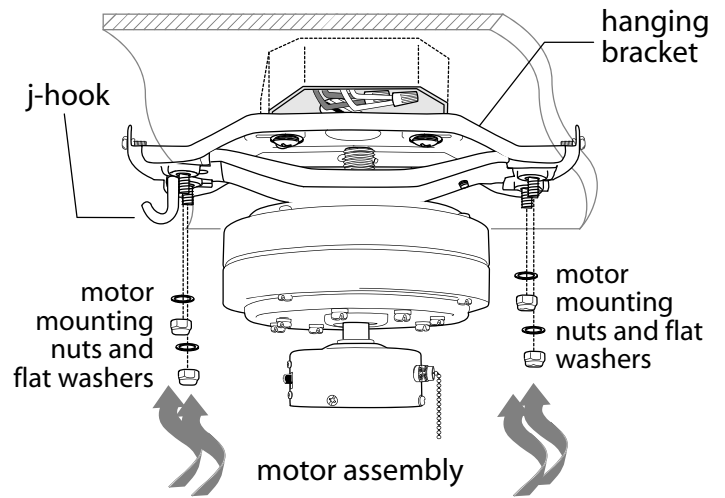
\* Wrap each wire connector separately with electrical tape as an extra safety measure.



## 6. Fan Assembly.

Remove motor assembly from j-hook on hanging bracket. Lift motor assembly to hanging bracket and carefully push wiring and wire connectors into outlet box. Align holes in top of motor assembly with bolts in hanging bracket and push up so that bolts come through holes. Secure motor assembly with flat washers and motor mounting nuts that were previously removed (Section 4, page 4).

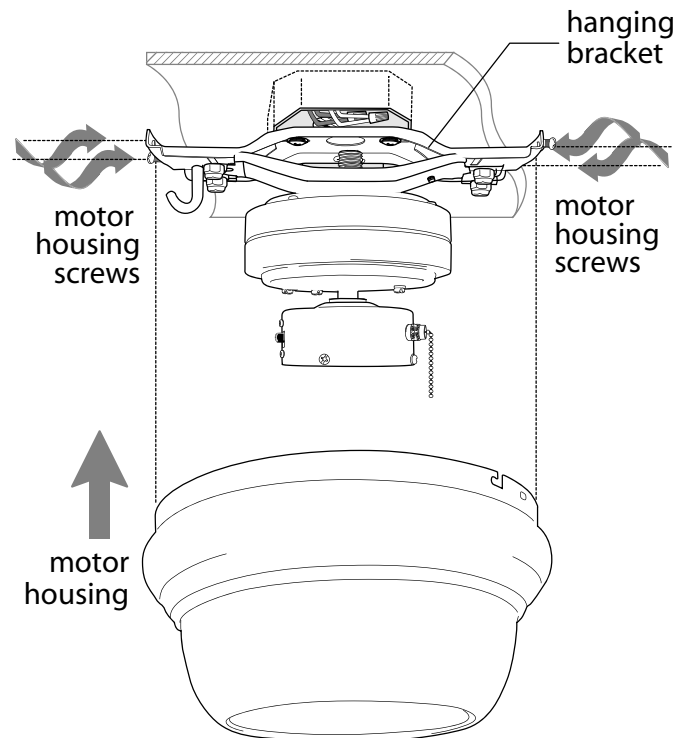
**WARNING:** It is extremely important to tighten motor mounting nuts completely so that fan is mounted securely.



## 7. Motor Housing Assembly.

Temporarily raise motor housing to hanging bracket to determine which 2 screws in hanging bracket align with slotted holes on top rim of motor housing. Lower motor housing and *partially loosen* the 2 screws in the hanging bracket that correspond to **slotted** holes in the motor housing. *Remove* the **other** 2 screws from the hanging bracket.

Now, raise motor housing to hanging bracket again, allowing slotted holes in motor housing to align with loosened screws in hanging bracket. Twist motor housing to lock. Re-insert the 2 screws that were previously removed and then tighten all screws to secure motor housing.



## 8. Blade Assembly.

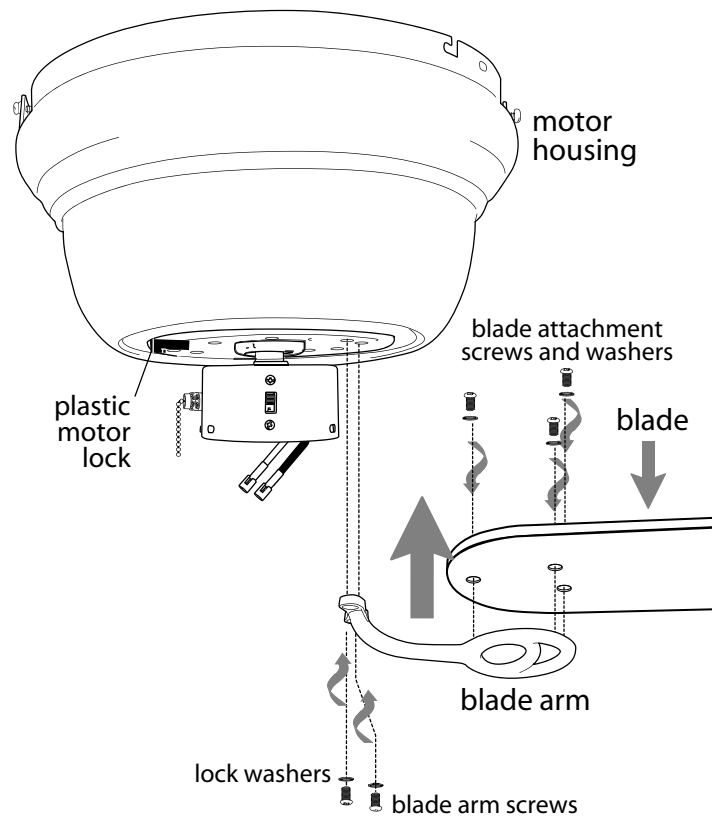
**WARNING:** To reduce the risk of serious bodily injury, DO NOT use power tools to assemble the blades. If screws are overtightened, blades may crack and break.

**Time Saver:** Washers for blade screws can be set on each blade screw prior to installing blades.

Locate 15 blade attachment screws and washers in one of the hardware packs. Hold blade arm up to blade and align holes. Insert 3 blade attachment screws (along with washers) with fingers first and then tighten screws securely with a Phillips screwdriver. Repeat procedure for the remaining blades.

Remove blade arm screws and lock washers from underside of motor. If plastic motor locks are installed with blade arm screws, discard plastic motor locks (*save blade arm screws and lock washers to secure blade arms*). Align blade arm holes with motor screw holes and attach blade arm with lock washers and blade arm screws. Before securing screws permanently, repeat this procedure with remaining blade arms. Secure all screws.

**NOTE:** Tighten blade arm screws twice a year.



## 9. Light Kit Assembly (Optional).

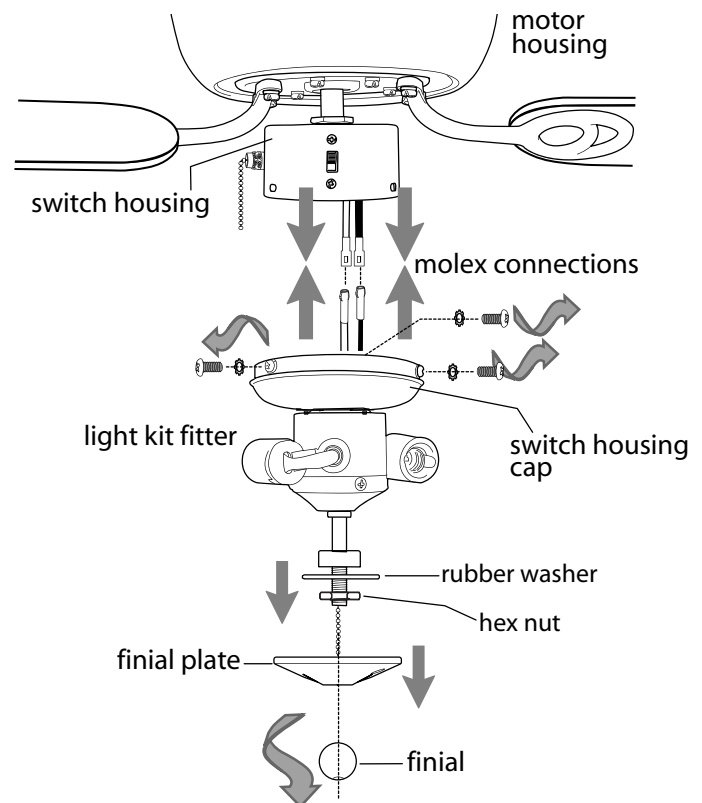
Remove 3 screws and star washers from switch housing cap at top of light kit fitter.

**If you wish to use your fan WITH the light kit,** remove finial, finial plate, hex nut and rubber washer from bottom of light kit fitter--*save all for later use.*

Locate **BLUE** (or **BLACK**) and **WHITE** wires in switch housing labeled FOR LIGHT KIT CONNECTION. Remove and discard plastic that holds these 2 wires together.

Connect **WHITE** wire from switch housing to **WHITE** wire from light kit fitter. Connect **BLUE** (or **BLACK**) wire from switch housing to **BLACK** wire from light kit fitter. Make sure that molex connections are secure.

**["Light Kit Assembly" continued on next page.]**



## 9. Light Kit Assembly (Optional). (cont.)

To attach light kit fitter to motor assembly, align holes in switch housing cap with holes in switch housing. (**NOTE:** Make sure to align gap on edge of switch housing cap with reverse switch on switch housing for the correct fit.) Re-insert 3 screws that were previously removed and use a Phillips screwdriver to secure all screws.

Install 2 candelabra base 60 watt max. bulbs (included).

**IMPORTANT:** When you need to replace bulbs, please allow bulbs and glass shade to cool down before touching them.

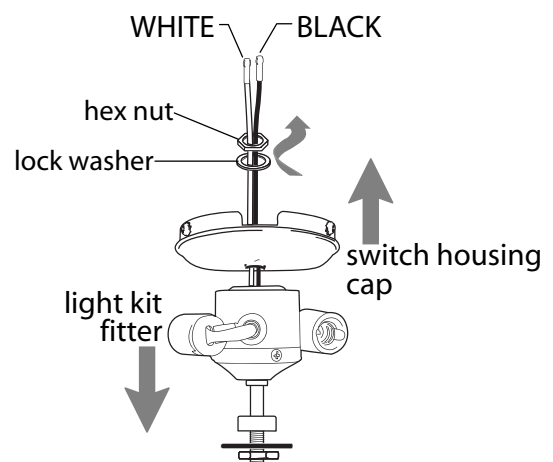
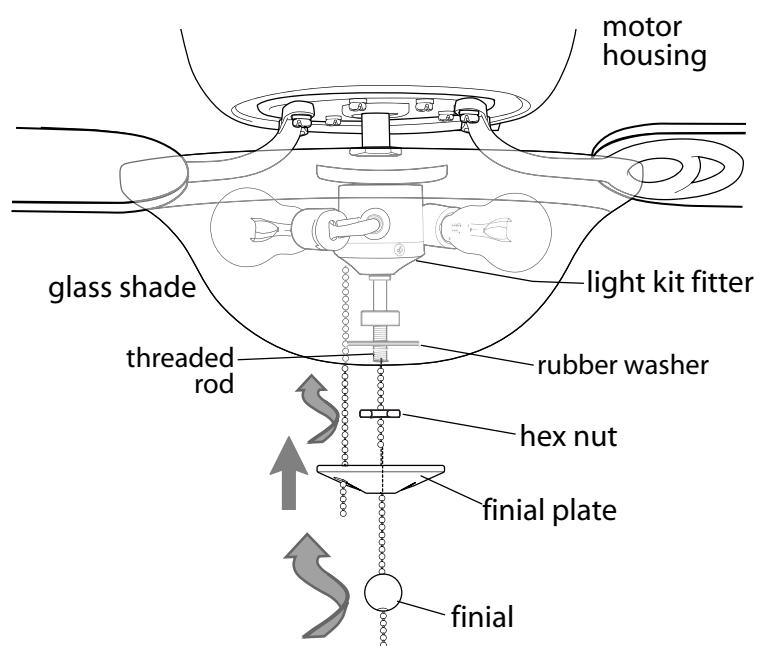
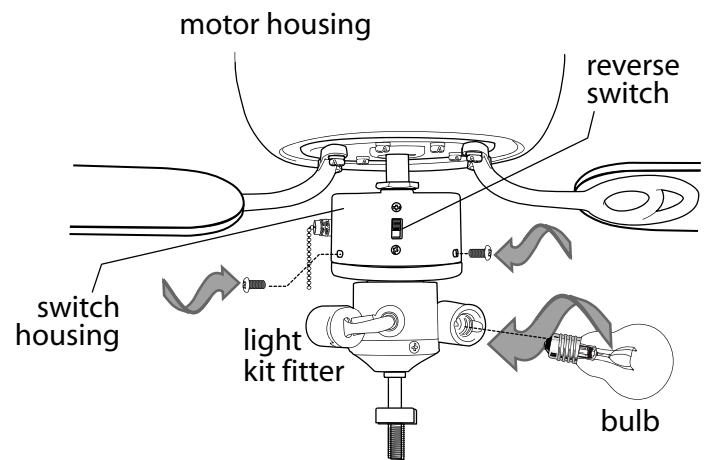
Place rubber washer (that was previously removed) inside glass shade over center hole. Raise glass shade in order to guide pull chains through corresponding holes in glass shade. (*Be sure pull chain for fan operation will not rub against bulbs during fan operation.*) Align hole in center of glass shade with threaded rod on light kit fitter and push up gently until threaded rod comes through hole. Replace hex nut on threaded rod. Tighten hex nut but **DO NOT OVERTIGHTEN** hex nut as glass may crack or break.

Align hole in center of finial plate with threaded rod, allowing pull chains to come through corresponding holes in finial plate, and push up. Thread center pull chain through hole in finial. Screw finial onto threaded rod to secure glass shade to light kit fitter. **DO NOT overtighten finial** as glass may crack or break.

Please proceed to Section 10 on page 9 to complete installation with the light kit.

**If you wish to use your fan WITHOUT the light kit**, remove hex nut and lock washer from threaded rod at top of light kit fitter. Unscrew switch housing cap to separate it from the light kit fitter. Then, gently feed **BLACK** and **WHITE** wires from light kit fitter (one at a time) through hole in middle of switch housing cap in order to completely remove switch housing cap from light kit fitter.

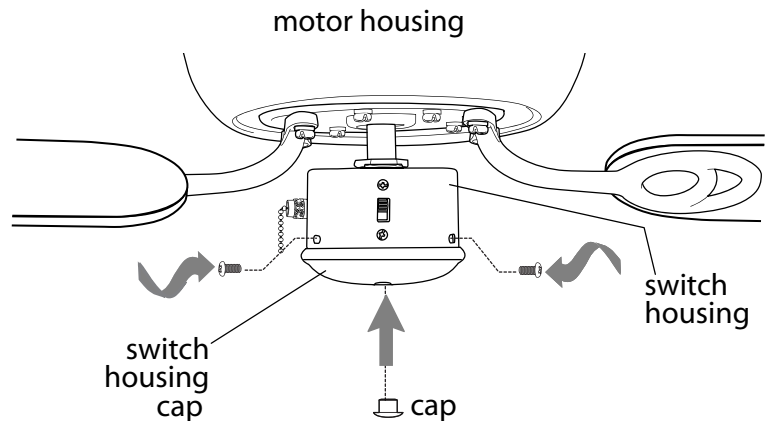
**["Light Kit Assembly" section continued on next page.]**



## 9. Light Kit Assembly (Optional). (cont).

Locate cap in one of the hardware packs and place cap firmly into hole in middle of switch housing cap.

Align holes in switch housing cap with holes in switch housing. Secure switch housing cap with 3 screws (and star washers) that were removed at the beginning of Section 9 (page 7), "Light Kit Assembly (Optional)." Tighten all 3 screws securely.



## 10. Testing Your Fan.

It is recommended that you test fan before finalizing installation. Restore power from circuit box and light switch (if applicable). Test fan speeds with the pull chain on switch housing. Start at the OFF position (no blade movement). First pull will set the fan to HI. Second pull will set the fan to MEDIUM. Third pull will set the fan to LOW. Fourth pull will again set the fan to OFF setting. If applicable, test light with pull chain in the middle. (**diagram 1**) If fan and/or light do/does not function, please refer to "Troubleshooting" section to solve any issues before contacting Customer Service.

Turn fan completely off *before* moving the reverse switch. Set reverse switch to recirculate air depending on the season:

- DOWN position in summer

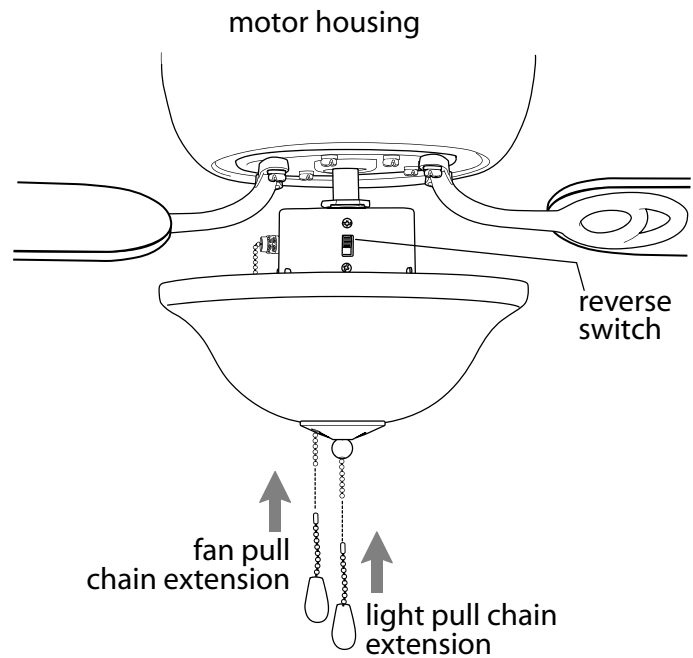
(**diagram 2**)

- UP position in winter (**diagram 3**)

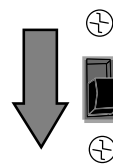
A ceiling fan will allow you to raise your thermostat setting in summer and lower your thermostat setting in winter without feeling a difference in your comfort.

**IMPORTANT:** Reverse switch must be set either *completely UP* or *completely DOWN* for fan to function. If the reverse switch is set in the *middle* position (**diagram 4**), fan will not operate.

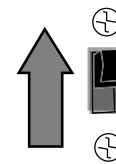
Attach pull chain extension(s) supplied or custom pull chain extension(s) (sold separately) to end(s) of the pull chain(s).



**diagram 1**



**diagram 2**



**diagram 3**



**diagram 4**

## Troubleshooting.

**WARNING:** Failure to disconnect power supply prior to troubleshooting any wiring issues may result in serious injury.

**Problem:** Fan fails to operate.

**Solutions:**

1. Check wall switch to fan.
2. Verify that reverse switch is set completely in either direction.
3. Check to be sure fan is wired properly.

**Problem:** Light kit (optional) not lighting.

**Solutions:**

1. Check wall switch to fan.
2. Check that bulbs are installed correctly.
3. Verify that wires in outlet box are wired properly.
4. Verify that mox connections in switch housing are connected properly.

**Problem:** Fan operates but light fails (if applicable).

**Solutions:**

1. Check that bulbs are installed correctly.
2. Verify that wires in outlet box are wired properly.
3. Verify that mox connections in switch housing are connected properly.
4. Replace defective bulbs with same type of bulb.

**Problem:** Fan wobbles.

**Solutions:**

1. Use the balancing kit provided in one of the hardware packs. *If no blade balancing kit is provided, please call Customer Support, at 1-800-486-4892, to request one.*
2. Carefully loosen motor housing and verify that hanging bracket is secure.
3. Check to be sure motor housing is turned completely and that motor housing screws are secure.

## Parts Replacement.

For parts and information, please refer to "Parts Inventory" on page 3.

Craftmade Customer Support:

**1-800-486-4892**

[www.craftmade.com](http://www.craftmade.com)

## Warranty.

CRAFTMADE™ LIFETIME LIMITED WARRANTY:

CRAFTMADE warrants this fan to the original household purchaser for indoor use under the following provisions:

**1-YEAR WARRANTY:** CRAFTMADE will replace or repair any fan which has faulty performance due to a defect in material or workmanship. Contact Craftmade Customer Service at **1-800-486-4892** to arrange for return of fan. Return fan, shipping prepaid, to Craftmade. We will repair or ship you a replacement fan, and we will pay the return shipping cost.

**5-YEAR WARRANTY:** CRAFTMADE will repair or replace, at no charge to the original purchaser, any fan motor that fails to operate satisfactorily when failure results from normal use.

**RETURN FAN MOTOR ONLY,** shipping prepaid, to Craftmade Industries. We will repair or ship purchaser a replacement motor and Craftmade will pay the return shipping cost.

**6-YEAR to LIFETIME LIMITED WARRANTY:** CRAFTMADE will repair the fan, at no charge for labor only to the original purchaser, if the fan motor fails to operate satisfactorily when failure results from normal use. Parts used in the repair will be billed to the purchaser at prevailing prices at time of repair.

The purchaser shall be responsible for all costs incurred in the removal, reinstallation and shipping of the product for repairs.

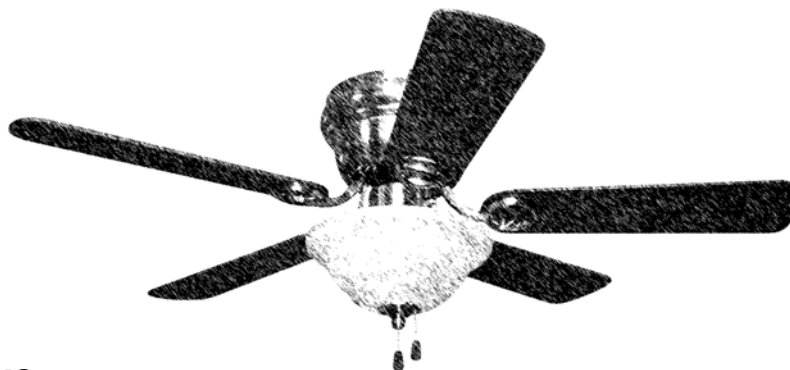
This warranty does not apply when damage from mechanical, physical, electrical or water abuse results in causing the malfunction. Deterioration of finishes or other parts due to time or exposure to salt air is specifically exempted under this warranty.

Neither Craftmade nor the manufacturer will assume any liability resulting from improper installation or use of this product. In no case shall the company be liable for any consequential damages for breach of this, or any other warranty expressed or implied whatsoever. This limitation as to consequential damages shall not apply in states where prohibited.

# CRAFTMADE™

# CRAFTMADE™

LEER ESTAS INSTRUCCIONES Y  
GUARDARLAS PARA UTILIZACIÓN FUTURA



## Wyman

# Guía de instalación

Para modelo:  
**WC42-de una sola luz**

### Índice de materias:

Sugerencias de seguridad. Pág. 2

Desempaquetado del ventilador. Pág. 3

Inventario de piezas. Pág. 3

Preparación para la instalación. Pág. 4

Instalación del soporte de montaje. Págs. 4 - 5

Instalación eléctrica. Pág. 5

Ensamblaje del ventilador. Pág. 6

Colocación del bastidor del motor. Pág. 6

Colocación de las aspas. Pág. 7

Instalación del juego de luz (opcional). Págs. 7 - 9

Verificación del funcionamiento del  
ventilador. Pág. 9

Localización de fallas. Pág. 10

Garantía. Pág. 10

Piezas de repuesto. Pág. 10



**Intertek**

peso neto del ventilador: 5,59 kg (12,33 lb)

IMPRESO EN CHINA

# SUGERENCIAS DE SEGURIDAD.

**ADVERTENCIA:** Para evitar la posibilidad de una descarga eléctrica, desconectar la corriente en la caja de fusibles principal o el interruptor protector antes de iniciar la instalación del ventilador o antes de repararlo o instalar accesorios.

**1. LEER TODAS LAS INSTRUCCIONES E INFORMACIÓN DE SEGURIDAD CUIDADOSAMENTE ANTES DE INSTALAR SU VENTILADOR Y GUARDAR ESTAS INSTRUCCIONES.**

**PRECAUCIÓN:** Para reducir el riesgo de daño corporal, es posible que sea necesario usar guantes al manejar las piezas del ventilador que tengan bordes afilados.

2. Asegurarse de que todas las conexiones eléctricas cumplan con los Códigos o las Ordenanzas Locales, el Código Nacional Eléctrico y ANSI/NFPA 70-1999. Si usted no está familiarizado con el alambrado eléctrico o los cables de la casa/el edificio son de colores diferentes a los cuales se refieren en las instrucciones, favor de buscar un electricista calificado.
3. Asegurarse de que haya localizado una ubicación para su ventilador que permite el espacio necesario para la rotación de las aspas, y por lo menos 2,13 metros (7 pies) de espacio libre entre el piso y las puntas de las aspas. Debe instalar el ventilador para que las puntas de las aspas queden a una distancia de por lo menos 76 centímetros (30 pulgadas) de las paredes y otras estructuras verticales.
4. La caja de salida eléctrica debe estar bien sujeta a la viga de soporte del techo y deben ser capaces de sostener por lo menos 16 kilogramos (35 libras). La caja de salida debe tener apoyo directo de la estructura del edificio. Sólo usar cajas de salida registradas con ETL o UL que indican que "sirven para ventilador" ("FOR FAN SUPPORT" en inglés).

**ADVERTENCIA:** Para reducir el riesgo de incendio, descarga eléctrica o daño corporal, instalar en la caja de salida marcada "Aceptable para sostener ventilador de 15,9 kg (35 lb) o menos" ["Acceptable for Fan Support of 15.9 kg (35 lbs.) or less"] y utilizar los tornillos proporcionados con la caja de salida. La mayoría de las cajas de salida que normalmente se usan para sostener los aparatos de alumbrado no siempre son apropiadas para sostener ventiladores y es posible que las tenga que reemplazar. En caso de duda, consultar con un electricista calificado.

**ADVERTENCIA:** Para reducir el riesgo de incendio, descarga eléctrica o daño corporal, los conectores para cable provistos con este ventilador son diseñados para aceptar sólo un cable de calibre 12 de la casa y dos cables principales del ventilador. Si el calibre del cable de la casa es superior al 12 o hay más de un cable de la casa para conectar a los cables principales del ventilador al cual corresponda cada uno, consultar con un electricista para informarse sobre el tamaño correcto de conectores para cable que se debe usar.

5. Los diagramas eléctricos son únicamente para referencia. Los juegos de luz que no se incluyen con el ventilador deben tener el símbolo ETL o UL y también deben indicar que sirven para uso con este ventilador. Los interruptores deben ser interruptores de uso general ETL o UL. Referirse a las instrucciones incluidas con el juego de luz y los interruptores para ensamblarlos correctamente.
6. Después de haber terminado la instalación, asegurarse de que todas las conexiones estén totalmente seguras.
7. Después de haber terminado todas las conexiones eléctricas, los conductores empalmados deben ser volteados para arriba y colocados cuidadosamente dentro de la caja de salida. Los alambres se deben de separar con el conductor a tierra a un lado y el conductor a tierra del equipo al lado opuesto.

**ADVERTENCIA:** Para reducir el riesgo de incendio o una descarga eléctrica, no usar el ventilador con ningún control de velocidad de estado sólido ni controlar la velocidad del ventilador con un interruptor con reductor de luz de gama completa. [El usar un interruptor con reductor de luz de gama completa para controlar la velocidad del ventilador causará un zumbido recio del ventilador.]

8. No utilizar el interruptor de reversa hasta que el ventilador se haya parado completamente.
9. No insertar ningún objeto entre las aspas mientras estén rotando.

**ADVERTENCIA:** Para reducir el riesgo de daño corporal, no doblar los brazos de las aspas durante el ensamblaje ni durante la instalación. No insertar objetos entre las aspas mientras estén rotando.

**ADVERTENCIA:** Para reducir el riesgo de daño corporal o algún daño al ventilador, tener cuidado al estar trabajando alrededor del ventilador o limpiándolo.

10. No utilizar agua ni detergentes para limpiar el ventilador ni las aspas. Usar un trapo seco o ligeramente húmedo para su limpieza general.

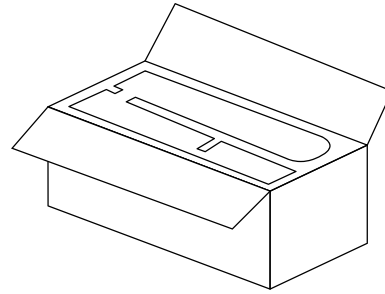
**ADVERTENCIA:** Para reducir el riesgo de daño corporal, usar **sólo** las piezas provistas con este ventilador. **Al usar piezas DISTINTAS a las provistas con este ventilador se invalidará la garantía.**

**NOTA:** No se debe concluir que las precauciones de seguridad importantes e instrucciones en este manual van a abarcar todas las condiciones y situaciones posibles que puedan ocurrir. Se debe entender que el sentido común y la precaución son factores necesarios en la instalación y la operación de este ventilador.

# 1. Desempaquetado del ventilador.

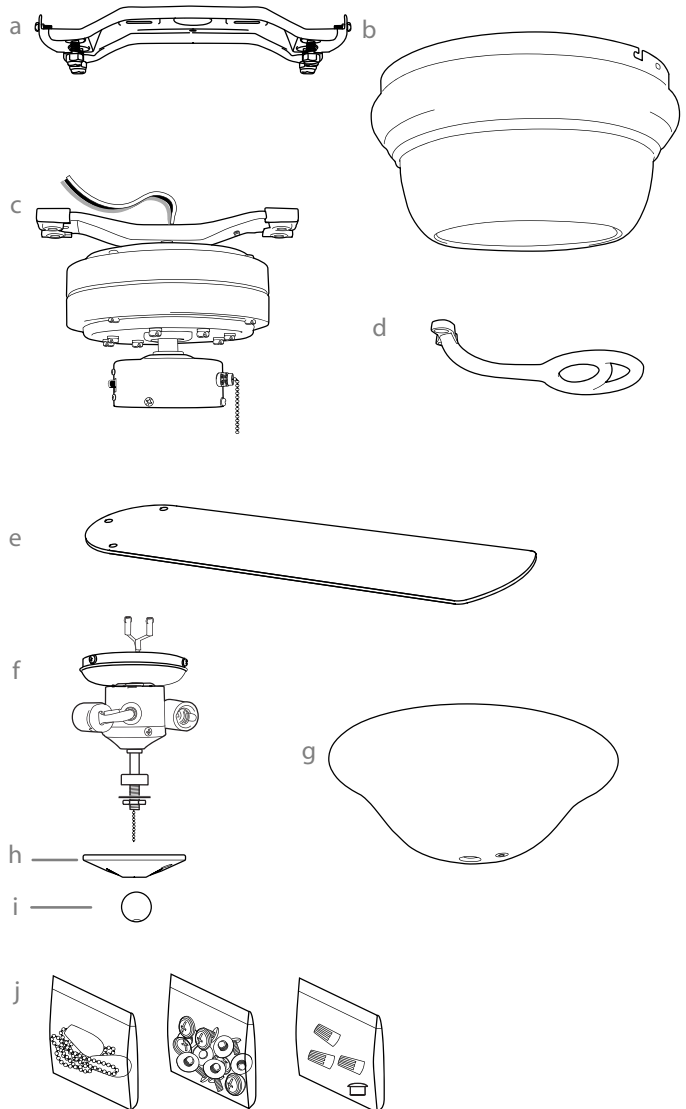
Abrir el empaque cuidadosamente. Sacar los artículos del embalaje. Sacar el motor y ponerlo en una alfombra o en el embalaje para evitar rayar el acabado. Guardar la caja de cartón o el empaquetamiento original en caso de que tenga que mandar el ventilador para alguna reparación.

Comprobar las piezas del ventilador con el inventario de piezas y verificar que se incluyeron todas.



## 2. Inventario de piezas.

- a.** soporte de montaje. 1 unidad
- b.** bastidor del motor. 1 unidad
- c.** unidad del motor. 1 unidad
- d.** brazo para el aspa. 5 unidades
- e.** aspa. 5 unidades
- f.** conector para el juego de luz. 1 unidad
- g.** pantalla de vidrio. 1 unidad
- h.** placa del adorno con rosca (fijada de antemano al conector para el juego de luz). 1 unidad
- i.** adorno con rosca (fijado de antemano al conector para el juego de luz). 1 unidad
- j.** paquetes de artículos de ferretería



**! RECORDATORIO IMPORTANTE:**  
Se tienen que utilizar las piezas provistas con este ventilador para una instalación adecuada y su seguridad.



**bombillas necesarias:**  
2 bombillas de base candelabro de 60 vatios máx. (incluidas)



### 3. Preparación para la instalación.

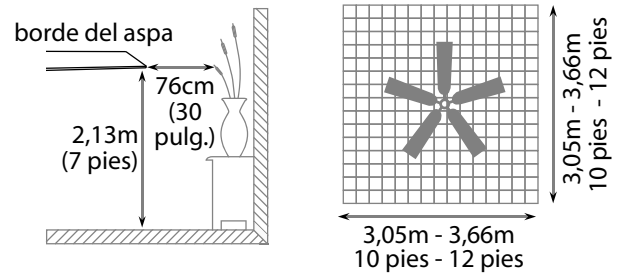
Para prevenir daño corporal y otros daños, estar seguro de que el lugar en donde va a colgar el ventilador le permite un espacio libre de 2,13m (7 pies) entre las puntas de las aspas y el piso y 76cm (30 pulg.) entre las aspas y cualquier pared u otra obstrucción.

Este ventilador es adecuado para habitaciones hasta 13,4 metros cuadrados (144 pies cuadrados).

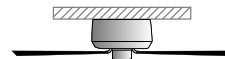
Este ventilador se puede colgar **al ras con el techo solamente** en un techo regular (sin inclinación). **No** se puede hacer **instalación con tubo** con este ventilador.

#### Se necesitan las herramientas siguientes para la instalación:

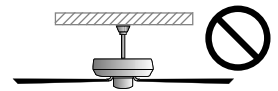
Destornillador de estrella Phillips, destornillador de paleta (plano), alicates ajustables o llave de tuercas, escalera de tijera, cortaalambres y cinta aisladora.



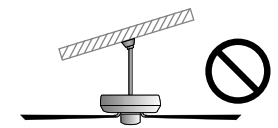
#### instalación al ras con el techo



#### instalación con tubo



**NO** se permite instalar en techo angulado ni abovedado.



### 4. Instalación del soporte de montaje.

Apagar los cortacircuitos en el panel de electricidad que suplen corriente a la caja de salida y asegurarse de que el interruptor de luz esté APAGADO.

**ADVERTENCIA:** El no desconectar el suministro de fuerza antes de la instalación puede tener por resultado lesiones graves.

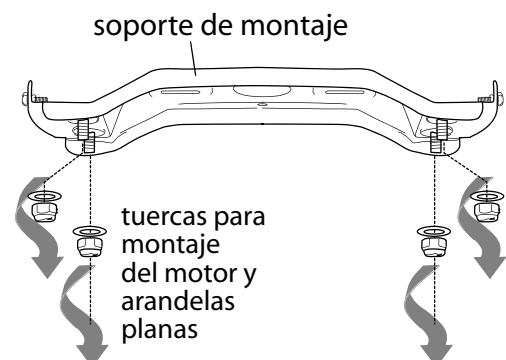
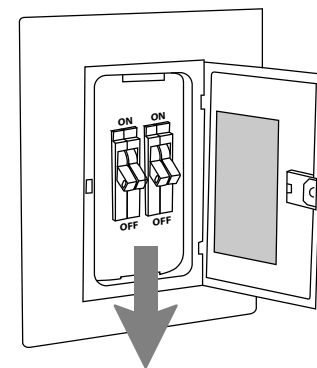
Quitar el aparato existente.

**ADVERTENCIA:** Si utiliza una caja de salida existente, asegurarse de que la caja de salida esté firmemente conectada a la estructura del edificio y que sea capaz de sostener el peso total del ventilador. Asegurarse de que la caja de salida indique claramente que "Sirve para ventilador" (FOR FAN SUPPORT); si no, se debe reemplazar con una caja de salida aprobada. El no hacer el cambio si es necesario puede resultar en lesiones graves.

**PRECAUCIÓN:** Asegurarse de que la caja de salida esté conectada a tierra correctamente y que haya un conductor a tierra (**VERDE** o pelado).

Quitar las 4 tuercas para montaje del motor y las arandelas planas del soporte de montaje-- guardarlas para uso más adelante.

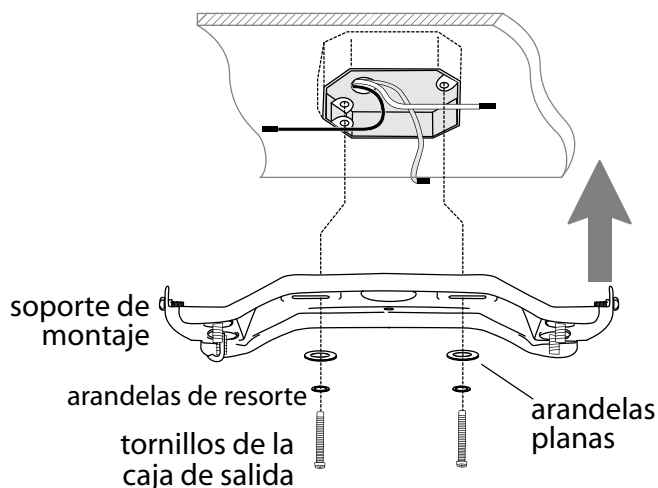
[La "Instalación del soporte de montaje" continúa en la página siguiente.]



## 4. Instalación del soporte de montaje. (cont.)

Instalar el soporte de montaje utilizando los tornillos originales, las arandelas de resorte y las arandelas planas de su nueva o existente caja de salida.\* Pasar el alambrado eléctrico (los cables) de la caja de salida por el agujero de en medio del soporte de montaje.

**\*Nota:** Es muy importante usar los artículos de ferretería correctos al instalar el soporte de montaje puesto que sirve para sostener el ventilador.



## 5. Instalación eléctrica.

**ADVERTENCIA:** Apagar los cortacircuitos en el panel de electricidad que suplen corriente a la caja de salida y asegurarse de que el interruptor de luz esté APAGADO.

Subir la unidad del motor al soporte de montaje y colocar la extremidad de la unidad del motor que tenga la ranura en el gancho en forma de "j" que se encuentra en el soporte de montaje. Esto permite que la unidad del motor permanezca a un lado mientras hace la instalación eléctrica.

**Sugerencia:** Solicitar ayuda de otra persona para sujetar la escalera y para que le suba el ventilador cuando usted ya esté preparado en la escalera para colgarlo.

**PRECAUCIÓN:** Asegurarse de que la caja de salida esté conectada a tierra como es debido y que exista un conductor a tierra (**VERDE** o pelado).

Asegurarse de que toda conexión eléctrica cumpla con los Códigos o las Ordenanzas Locales y el Código Nacional Eléctrico. Si usted no está familiarizado con la instalación eléctrica o los cables de la casa/el edificio son de colores diferentes a los cuales se refieren a continuación, favor de buscar un electricista calificado.

Una vez que el ventilador esté bien sujeto en el soporte de montaje, se puede hacer la instalación eléctrica como sigue:

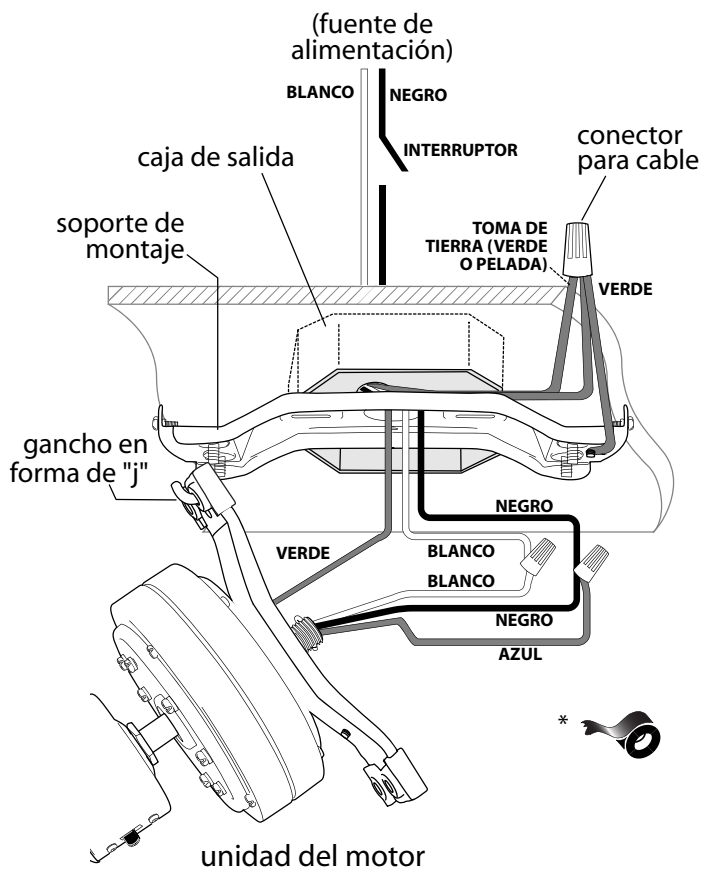
Conectar el cable **NEGRO** y el **AZUL** del ventilador al cable **NEGRO** que sale del techo con un conector para cable provisto.

Conectar el cable **BLANCO** del ventilador al cable **BLANCO** del techo con un conector para cable provisto.

Conectar todos los conductores a **TIERRA (VERDES)** del ventilador al cable **PELADO/VERDE** del techo con un conector para cable provisto.

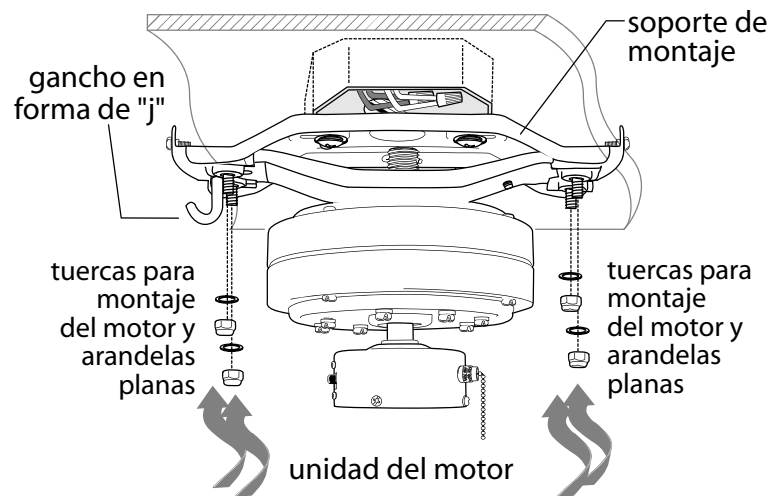
Si usted piensa controlar la luz del ventilador con un interruptor distinto, conectar el cable **AZUL** del ventilador al conductor **NEGRO** (o **ROJO**) que corresponde al interruptor independiente.

\*Como una medida de seguridad adicional, envolver cada conector para cable por separado con cinta aisladora.



## 6. Ensamblaje del ventilador.

Quitar la unidad del motor del gancho en forma de "j" en el soporte de montaje. Subir la unidad del motor al soporte de montaje y, con cuidado, meter el cableado y los conectores para cable dentro de la caja de salida. Alinear los agujeros en la parte superior de la unidad del motor con los pernos en el soporte de montaje y empujar hacia arriba para que los pernos pasen por los agujeros. Asegurar la unidad del motor usando las arandelas planas y las tuercas para montaje del motor que se quitaron anteriormente (sección 4, página 4).

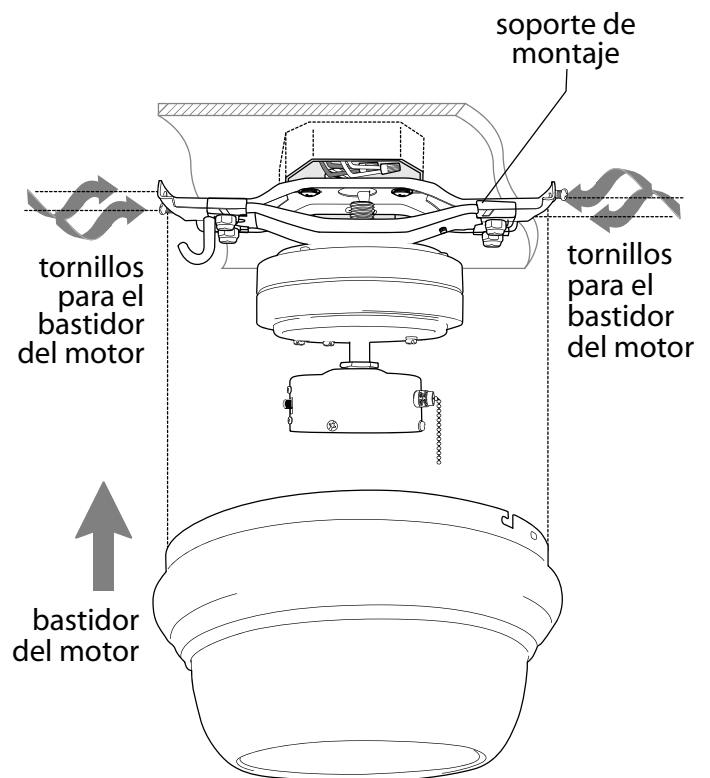


**ADVERTENCIA:** Es sumamente importante apretar bien las tuercas para montaje del motor para que el ventilador se quede bien sujeto.

## 7. Colocación del bastidor del motor.

Temporalmente subir el bastidor del motor al soporte de montaje para determinar cuáles 2 tornillos en el soporte de montaje se alinean con los agujeros con ranura en el borde superior del bastidor del motor. Bajar el bastidor del motor y *aflojar parcialmente* los 2 tornillos en el soporte de montaje que correspondan a los agujeros **con ranura** en el bastidor del motor. *Quitar los otros* 2 tornillos del soporte de montaje.

Ahora, subir el bastidor del motor al soporte de montaje de nuevo, dejando que los agujeros con ranura en el bastidor del motor se alineen con los tornillos aflojados en el soporte de montaje. Girar el bastidor del motor para cerrarlo. Volver a introducir los 2 tornillos que se quitaron anteriormente y apretar todos los tornillos para asegurar el bastidor del motor.



## 8. Colocación de las aspas.

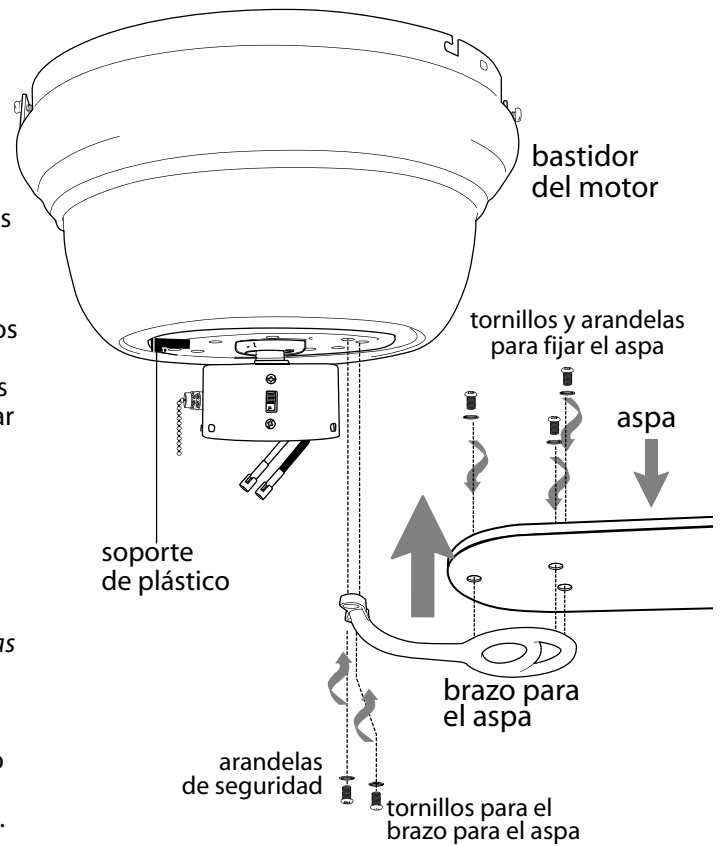
**ADVERTENCIA:** Para reducir el riesgo de lesiones corporales graves, NO utilizar herramientas eléctricas para ensamblar las aspas. Si aprieta demasiado los tornillos, las aspas podrían agrietarse y quebrarse.

**Para ahorrar tiempo:** Se pueden poner las arandelas en los tornillos que son para las aspas antes de colocar las aspas.

Localizar 15 tornillos y arandelas para fijar las aspas en uno de los paquetes de artículos de ferretería. Agarrar uno de los brazos para las aspas y juntarlo con una de las aspas para alinear los agujeros. Introducir 3 tornillos para fijar las aspas (junto con arandelas) con los dedos primero y luego apretar los tornillos bien con un destornillador de estrella Phillips. Repetir el procedimiento con las demás aspas.

Sacar los tornillos para los brazos para el asa y las arandelas de seguridad del lado inferior del motor. Si se han instalado soportes de plástico con los tornillos para el brazo para el asa, desechar los soportes de plástico (*guardar los tornillos para el brazo para el asa y las arandelas de seguridad para asegurar los brazos para el asa*). Alinear los agujeros de uno de los brazos para las aspas con los agujeros para los tornillos en el motor y fijar el brazo para el asa con arandelas de seguridad y tornillos para el brazo para el asa. Antes de apretar los tornillos bien, repetir el mismo procedimiento con los demás brazos para las aspas. Apretar bien todos los tornillos.

**NOTA:** Apretar los tornillos para los brazos para el asa dos veces al año.



## 9. Instalación del juego de luz (opcional).

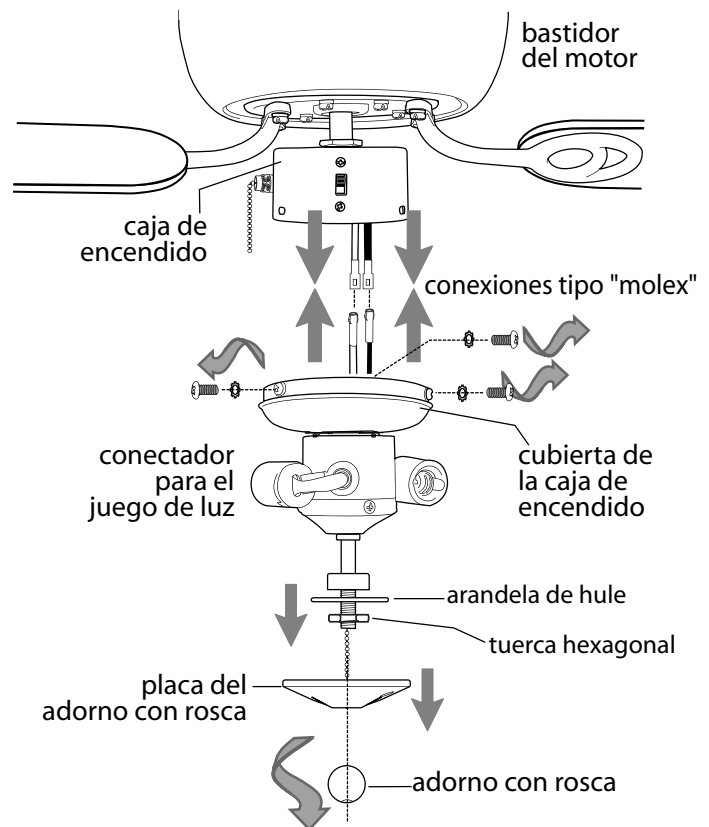
Quitar los 3 tornillos y arandelas de estrella de la cubierta de la caja de encendido en la parte superior del conector para el juego de luz.

Quitar el adorno con rosca, la placa del adorno con rosca, la tuerca hexagonal y la arandela de hule de la parte inferior del conector para el juego de luz--*guardarlos todos para uso más adelante*.

Localizar los cables **AZUL** (o **NEGRO**) y **BLANCO** en la caja de encendido con etiqueta "FOR LIGHT KIT CONNECTION" (PARA ENCHUFE DEL JUEGO DE LUZ). Quitarles y tirar el plástico que liga los 2 cables.

Conectar el cable **BLANCO** de la caja de encendido al cable **BLANCO** del conector para el juego de luz. Conectar el cable **AZUL** (o **NEGRO**) de la caja de encendido al cable **NEGRO** del conector para el juego de luz. Asegurarse de que las conexiones tipo "molex" se cierren bien con un clic.

[La "Instalación del juego de luz" continúa en la página siguiente.]



## 9. Instalación del juego de luz (opcional). (cont).

Para sujetar el conector para el juego de luz a la unidad del motor, alinear los agujeros en la cubierta de la caja de encendido con los agujeros en la caja del encendido. (**NOTA:** Estar seguro de alinear la abertura en el borde superior de la cubierta de la caja de encendido con el interruptor de reversa en la caja de encendido para que se encajen bien.) Volver a introducir los 3 tornillos que se quitaron anteriormente y asegurar todos los tornillos con un destornillador de estrella Phillips.

Instalar 2 bombillas de base candelabro de 60 vatios máx. (incluidas).

**IMPORTANTE:** Cuando necesite reemplazar las bombillas, favor de permitir que se enfríen las bombillas y la pantalla de vidrio antes de tocarlas.

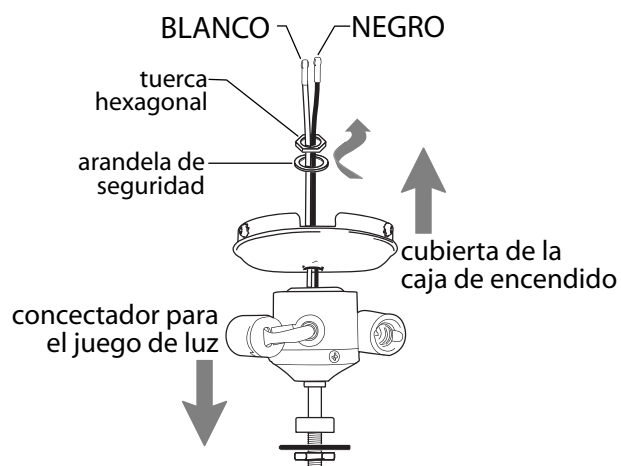
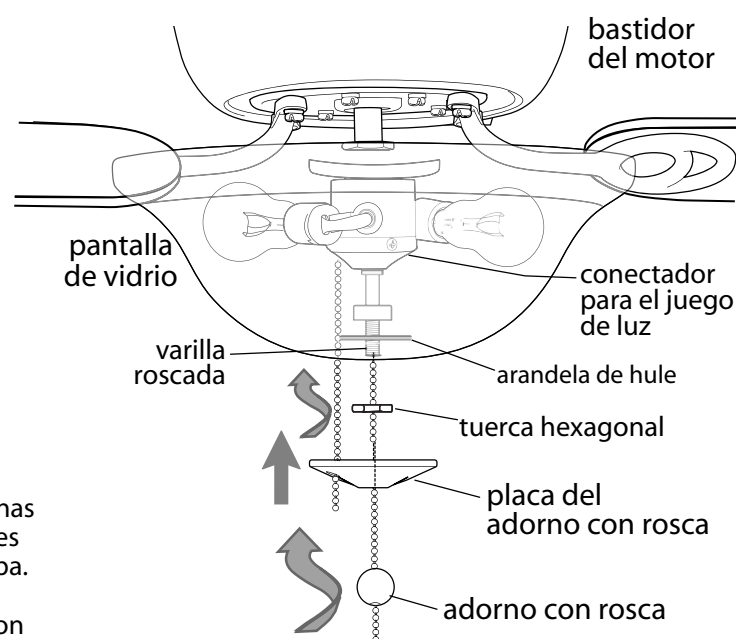
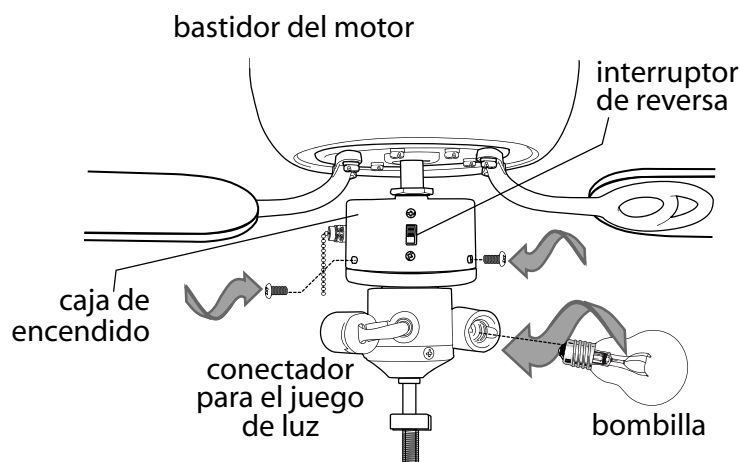
Colocar la arandela de hule (que se quitó anteriormente) dentro de la pantalla de vidrio encima del agujero central. Subir la pantalla de vidrio para pasar las cadenas de encendido por los agujeros correspondientes en la pantalla de vidrio. (*Asegurarse de que la cadena de encendido del ventilador no vaya a rozar las bombillas cuando esté prendido el ventilador.*) Alinear el agujero de en medio de la pantalla de vidrio con la varilla roscada en el conector para el juego de luz y, con cuidado, empujar hacia arriba hasta que la varilla roscada pase por el agujero. Volver a colocar la tuerca hexagonal en la varilla roscada. Apretar la tuerca hexagonal pero **NO APRETAR la tuerca hexagonal demasiado ya que el vidrio se puede rajar o romper.**

Alinear el agujero de en medio de la placa del adorno con rosca con la varilla roscada, dejando que las cadenas de encendido pasen por los agujeros correspondientes en la placa del adorno con rosca, y empujar hacia arriba. Pasar la cadena de encendido de en medio por el agujero en el adorno con rosca. Atornillar el adorno con rosca en la varilla roscada para asegurar la pantalla de vidrio al conector para el juego de luz. **NO apretar el adorno con rosca demasiado ya que el vidrio se puede rajarse o romper.**

Favor de pasar a la sección 10 en la página 9 para terminar la instalación con el juego de luz.

**Si desea utilizar el ventilador SIN el juego de luz,** quitar la tuerca hexagonal y la arandela de seguridad de la varilla roscada localizada en la parte superior del juego de luz. Destornillar la cubierta de la caja de encendido para separarla del conector para el juego de luz. Luego, pasar los cables **NEGRO** y **BLANCO** del conector para el juego de luz (uno por uno) por el agujero de en medio de la cubierta de la caja de encendido para poder quitar la cubierta de la caja de encendido del conector para el juego de luz completamente.

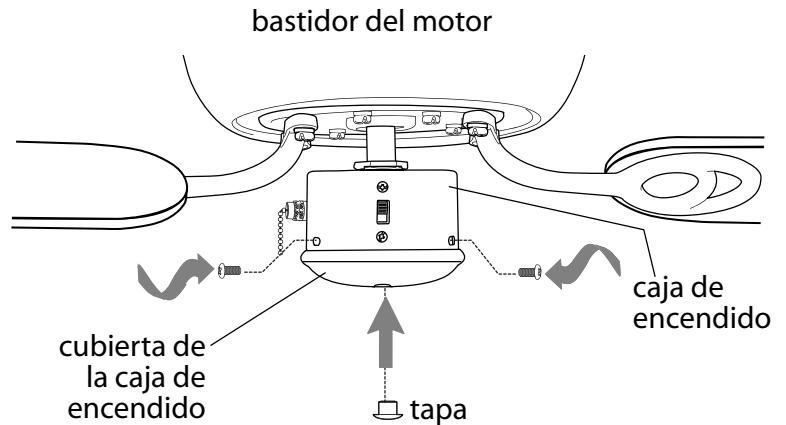
**[La sección "Instalación del juego de luz" continúa en la página siguiente.]**



## 9. Instalación del juego de luz (opcional). (cont).

Localizar la tapa en uno de los paquetes de artículos de ferretería y colocar la tapa firmemente en el agujero en el centro de la cubierta de la caja de encendido.

Alinear los agujeros en la cubierta de la caja de encendido con los agujeros en la caja de encendido. Fijar la cubierta de la caja de encendido con los 3 tornillos (y arandelas de estrella) que se quitaron al principio de la sección 9 (página 7), "Instalación del juego de luz (opcional)." Apretar bien los 3 tornillos.



## 10. Verificación del funcionamiento del ventilador.

Se le recomienda poner el ventilador a prueba antes de terminar la instalación. Regresar la corriente de electricidad en el cortacircuitos y encender el interruptor de la luz en la pared (si se aplica). Verificar las velocidades del ventilador con la cadena de encendido en la caja de encendido. Empezar en estado de APAGADO (sin movimiento de las aspas). Con el primer tirón el ventilador estará en marcha ALTA. El segundo tirón controla el ventilador para que se baje a marcha MEDIA. El tercer tirón bajará el ventilador a marcha BAJA. Con el cuarto tirón se APAGARÁ el ventilador de nuevo. Si se aplica, poner a prueba la luz jalando la cadena de encendido de en medio. **(diagrama 1)** Si el ventilador y/o la luz no funciona(n), favor de referirse a la sección "Localización de fallas" para resolver cualquier asunto antes de comunicarse con el Servicio al cliente.

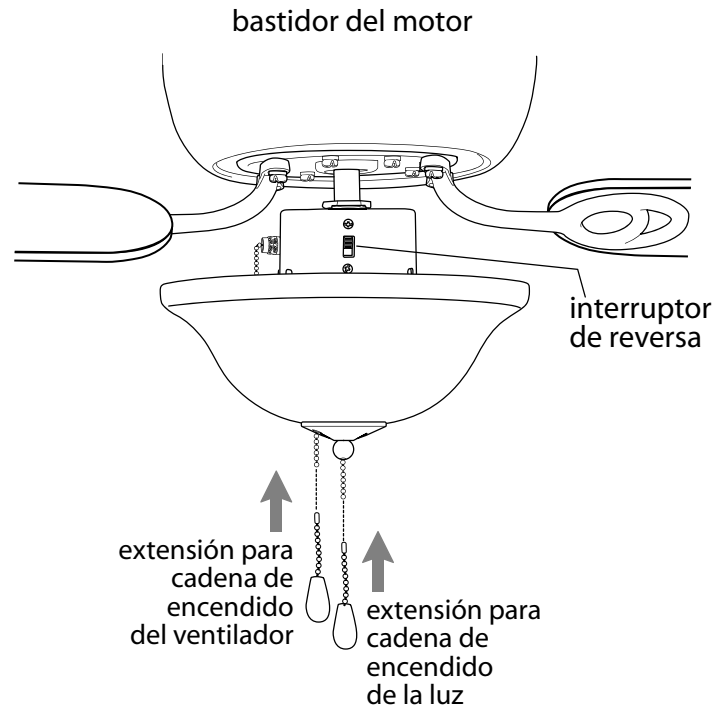
Apagar el ventilador completamente *antes* de mover el interruptor de reversa. Regularlo para que se circule bien el aire dependiendo de las estaciones del año:

- posición ABAJO en verano **(diagrama 2)**
- posición ARRIBA en invierno **(diagrama 3)**

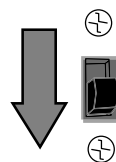
Un ventilador de techo le permitirá subir el termostato en verano y bajarlo en invierno sin notar una diferencia en su comodidad.

**IMPORTANTE:** Hay que mover el interruptor de reversa o *completamente* hacia ARRIBA o *completamente* hacia ABAJO para que funcione el ventilador. Si el interruptor de reversa está puesto en la posición *de en medio* **(diagrama 4)**, no funcionará el ventilador.

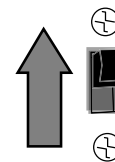
Fijar la(s) extensión(es) para la(s) cadena(s) de encendido provista(s) a la(s) cadena(s) de encendido o usar una(s) hecha(s) a medida (a la venta por separado).



**diagrama 1**



**diagrama 2**



**diagrama 3**



**diagrama 4**

## Localización de fallas.

**ADVERTENCIA:** *El no desconectar el suministro de fuerza eléctrica antes de hacer localización de fallas para cualquier problema de instalación eléctrica puede causar lesiones graves.*

**Problema:** El ventilador no funciona.

**Soluciones:**

1. Inspeccionar el interruptor de pared del ventilador.
2. Verificar que el interruptor de reversa del ventilador está en una sola posición, no en medio de las dos.
3. Verificar la instalación eléctrica del ventilador.

**Problema:** El juego de luz (opcional) no se ilumina.

**Soluciones:**

1. Inspeccionar el interruptor de pared del ventilador.
2. Verificar que se instalaron correctamente las bombillas.
3. Verificar que se hizo correctamente la conexión de cables en la caja de salida.
4. Asegurarse de que se conectaron bien las conexiones tipo "molex" en la caja de encendido.

**Problema:** El ventilador funciona pero la luz no (si se aplica).

**Soluciones:**

1. Verificar que se instalaron correctamente las bombillas.
2. Verificar que se hizo correctamente la conexión de cables en la caja de salida.
3. Asegurarse de que se conectaron bien las conexiones tipo "molex" en la caja de encendido.
4. Reemplazar bombillas defectuosas con el mismo tipo de bombilla.

**Problemas:** El ventilador se tambalea.

**Soluciones:**

1. Usar el juego para balancear las aspas incluido en uno de los paquetes de artículos de ferretería. *Si no se incluye un juego para balancear las aspas, llamar al Servicio al cliente, al 1-800-486-4892, para pedir uno.*
2. Con cuidado aflojar el bastidor del motor y averiguar que el soporte de montaje está seguro.
3. Averiguar que se giró completamente el bastidor del motor y que se quedaron bien apretados los tornillos para el bastidor del motor.

## Piezas de repuesto.

Para piezas o información, referirse al "Inventario de piezas" en la página 3. Servicio al cliente de Craftmade:

**1-800-486-4892**

[www.craftmade.com](http://www.craftmade.com)

## Garantía.

**GARANTÍA LIMITADA DE POR VIDA DE CRAFTMADE™:** CRAFTMADE garantiza este ventilador al comprador original de grupo familiar para uso interior con las siguientes condiciones:

**GARANTÍA DE 1 AÑO:** CRAFTMADE reemplazará o reparará cualquier ventilador que tenga funcionamiento deficiente debido a defectos en los materiales o trabajo manual. Comunicarse con el Servicio al cliente de CRAFTMADE al **1-800-486-4892** para acordar el reenvío del ventilador. Devolver el ventilador, con los gastos de envío prepagados, a Craftmade. Nosotros repararemos o reemplazaremos el ventilador y pagaremos los gastos de envío de regreso.

**GARANTÍA DE 5 AÑOS:** CRAFTMADE reemplazará o reparará sin costo al comprador original, cualquier motor de ventilador que no funcione de manera satisfactoria a causa de uso normal.

**DEVOLVER EL MOTOR SOLAMENTE,** los gastos de envío prepagados, a Craftmade. Nosotros repararemos el motor al comprador o le enviaremos uno de reemplazo y Craftmade pagará los gastos de envío de regreso.

**GARANTÍA LIMITADA DE 6 AÑOS hasta DE POR VIDA:**

CRAFTMADE reparará el ventilador, sin costo al comprador original por el coste laboral, si el motor del ventilador no funciona satisfactoriamente a causa del uso normal. Las piezas que se utilizan en hacer la reparación serán facturadas al comprador a los precios prevalecientes en el momento de la reparación.

El comprador original será responsable de todos los gastos incurridos en sacar, reinstalar y enviar el producto para reparación.

Esta garantía no se aplica cuando el ventilador tenga daños por abuso mecánico, físico, eléctrico o por agua resultando en su mal funcionamiento. Se exenta específicamente el deterioro en el acabado u otras partes debido al tiempo o exposición al aire marino bajo esta garantía.

Ni Craftmade ni el fabricante se harán responsables por lo que pasa por una instalación inadecuada o el uso impropio de este producto. La compañía no se hará responsable en ningún caso de ningún daño emergente por incumplimiento de esta o cualquier otra garantía expresada o implicada en absoluto. Esta limitación de daños emergentes no se aplicará en estados donde es prohibido.

# CRAFTMADE™