



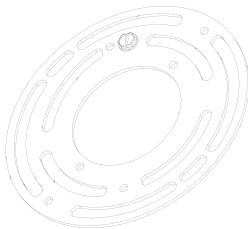
Questions, problems, missing parts?
Please email us at customer-service@ewccglobal.com.cn, or call us at
1-888-722-5089

PACKAGE CONTENTS



HARDWARE CONTENTS Note: Hardware shown not actual size.

AA



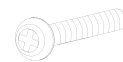
Mounting bracket with ground
screw(pre-attached) x 1

BB



Outlet box screw
x 2

CC



Mounting screw x 2
(2pcs pre-attached)

DD



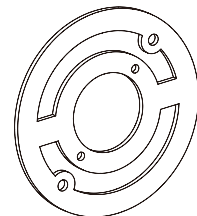
Wire connector
x 3

EE



Rubber Washer x 2
(2pcs pre-attached)

FF



Coverplate gasket
x 1

⚠ SAFETY INFORMATION

Please read and understand this entire manual before attempting to assemble, operate or install the product.

WARNING

- Turn off electricity at main fuse box (or circuit breaker box) before beginning installation by removing fuse (or switching off circuit breaker).
- This product must be installed by persons with experience in household wiring or by a qualified electrician. The electrical system and the method of electrically connecting the fixture to it must be in accordance with the National Electrical Code and local building codes.

⚠ SAFETY INFORMATION (continued)

CAUTION

- Fixture should be mounted to a grounded recessed mounted standard junction box marked for use in wet locations.
- Keep away from flammable objects. Do not position fixture within 12 inches of any combustible materials.
- The bulb and fixture can get extremely hot during use. Turn off the power and allow the fixture to cool down for at least 20 minutes before working on the unit.
- When replacing the bulb, use only PAR 38 outdoor floodlight bulb (150 watts maximum) in each lampholder. Never use a bulb with a higher wattage than the stated maximum allowed on the fixture. Using a higher wattage bulb may cause a fire hazard and/or cause damage to the unit.
- Disassembly of your fixture will void the warranty.

PREPARATION

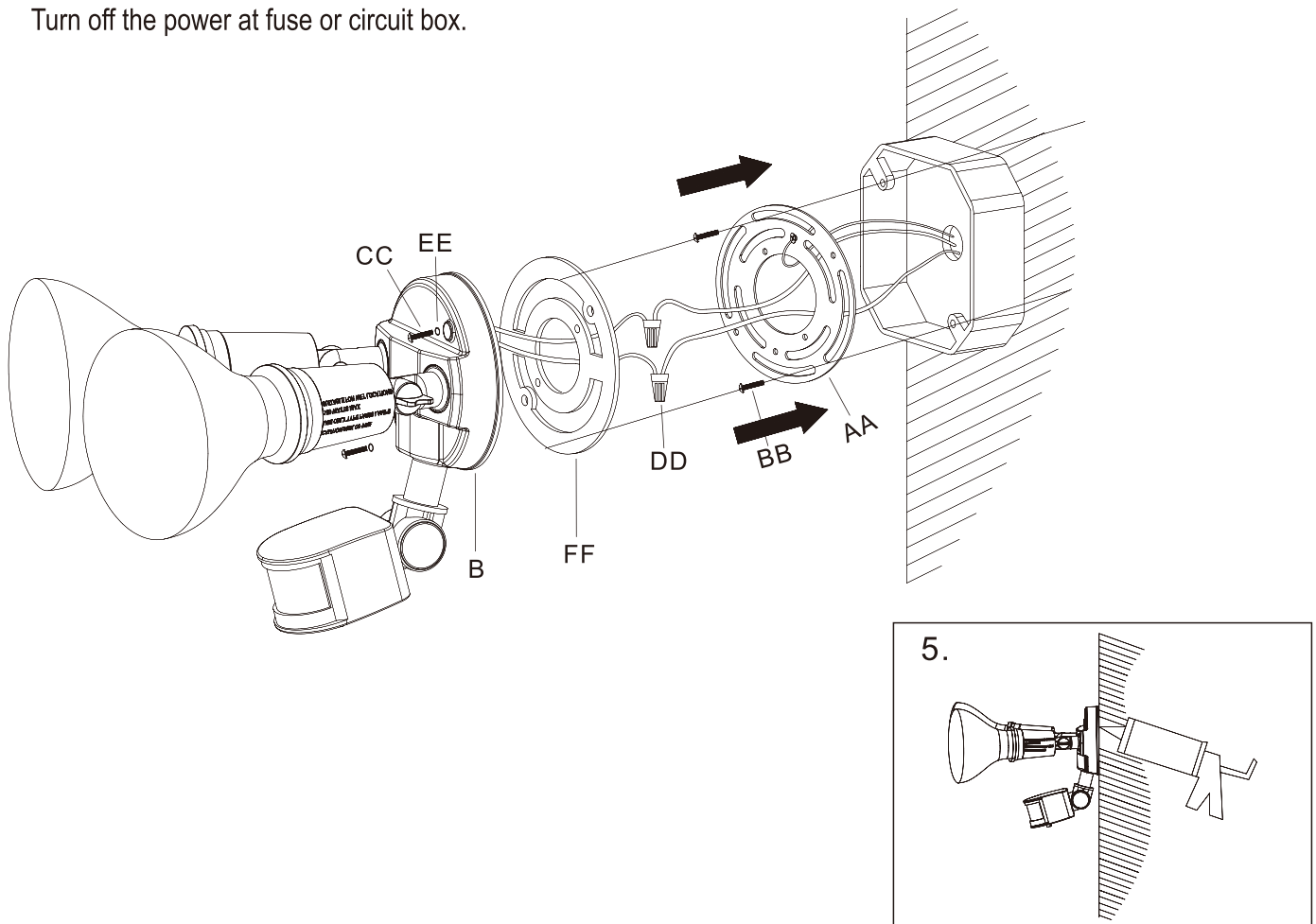
Before beginning operation of product, please make sure all parts are present. If any part is missing or damaged, do not attempt to install or operate the product. Contact customer service for replacement parts.

Tools required for assembly (not included): Screwdriver, Phillips screwdriver, Pliers, Weather resistant caulking, Electrical tape, Wire cutters, Safety glasses, Ladder, Wire stripper.

Install the light 6–8 ft. above the ground. Do not mount the fixture close to reflective surfaces such as windows, white walls, white surfaces and water.

ASSEMBLY INSTRUCTIONS

Turn off the power at fuse or circuit box.



ASSEMBLY INSTRUCTIONS (continued)

1. Secure the bracket (AA) to a grounded outlet box marked for use in wet locations with outlet box screws (BB).
 2. Match up screw holes on the gasket (FF) with outlet box screw holes. Thread the fixture wires through the gasket (FF).
 3. Connect the black wire from the fixture to the black wire from the outlet box with a wire connector (DD).
Connect the white wire from the fixture to the white wire from the outlet box with a wire connector (DD).
Wrap the ground wire from the wall around the ground screw on the mounting bracket (AA).
- Note: Wrap the wire connectors (DD) with electrical tape for a more secure connection.
Carefully tuck the wires and wire connectors into the outlet box.
4. Secure the fixture to the bracket (AA) with the rubber washers (EE) and mounting screws (CC).
 5. Apply a weather resistant caulking (not included) around the edges of the coverplate (B) for a rain-tight seal.
 6. Install two PAR 38 outdoor floodlight bulbs (150 watts max each. Bulbs are sold separately).

FUNCTION AND OPERATION

1. When power is first applied, the light will come on for about 30 seconds to allow the sensor to warm up.
 2. The sensitivity of the motion sensor will increase as the environmental temperature gets cooler. For best performance, gently clean the lens with a soft cloth every 1 or 2 months to assure maximum sensitivity.
 3. For best performance, install fixture 6 feet to 8 feet above the ground. At such a height, the lantern will provide a detection distance of up to 30 feet (See Fig.1).
 4. The sensor detects across a detection range of 180 degrees.(See Fig.2)
 5. To reduce possible nuisances, do not mount the fixture near a heat source like an air conditioner, vent or furnace exhaust, or in a direction facing any reflecting object or other light source.
 6. Manual Override mode: Turn off/on/off/on the wall switch in several seconds to activate the light on for 8 hours.
- Working temperature: $-13^{\circ}\text{F}\sim 113^{\circ}\text{F}$ ($-25^{\circ}\text{C}\sim 45^{\circ}\text{C}$)

Fig.1

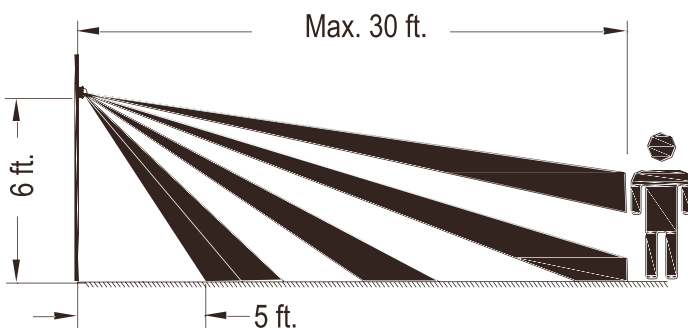
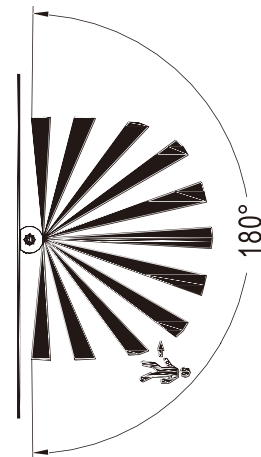


Fig.2



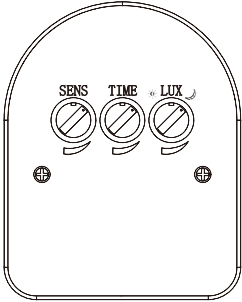
FUNCTION AND OPERATION (continued)

Adjust the DISTANCE, TIME and LUX by turning the knobs.



SENS: From 5ft to 30ft

The SENS setting controls the sensitivity of the unit that means adjusting the unit's detection distance. The minimum detection distance (fully counterclockwise) is 5 ft, while the maximum detection distance (fully clockwise) is 30ft. Set the control to the desired setting between these limits.



LUX: From 5Lux to 1000Lux

The LUX control determines the level of darkness required for the unit to start operating. Set the LUX control knob fully counterclockwise, the unit will now start operating at dusk. If you require the light to activate earlier, wait until the ambient light level reaches the level of darkness at which you wish the lamp to become operative, slowly rotate the control clockwise until a point is reached where the lamp illuminates, leave the control set at this point.



TIME: From 5 Seconds to 9 Minutes

The TIME setting controls how long the unit remains illuminated following activation & after all motion ceases. The minimum time (fully counterclockwise) is 5 seconds, while the maximum time (fully clockwise) is 9 minutes. Set the control to the desired setting between these limits.

TROUBLESHOOTING

Issues	Possible cause	Solution
Lights will not come on	<ol style="list-style-type: none"> 1. Light switch is turned off. 2. Light bulb is loose or burned out. 3. Fuse is blown or circuit breaker is turned off. 4. Daylight turn-off is in effect. 5. Sensor not detecting movement. 6. Incorrect circuit wiring, if a new installation. 	<ol style="list-style-type: none"> 1. Turn light switch on. 2. Check bulb and replace if burned out. 3. Replace fuse or turn circuit breaker on. 4. Recheck after dark. 5. Re-aim the sensor to cover desired area. 6. Verify wiring is correct.
Lights stay on continuously	The sensor may be picking up a heat source like an air vent, dryer vent, etc.	Re-install the unit away from heat source.

CARE AND MAINTENANCE

Before cleaning:

1. Ensure the power off.
2. To prolong the original appearance, clean the light fixture with clear water and a soft, damp cloth only.
3. Do not use abrasive cleaners. Do not apply paints, solvents, or any other chemicals on this light fixture. They could cause a premature deterioration of the finish and may void the warranty.

FIVE-YEAR LIMITED WARRANTY: If, during normal use, this PATRIOT LIGHTING® lighting fixture breaks or fails due to a defect in material workmanship within five (5) years from the date of original purchase, simply bring this lighting fixture with the original sales receipt back to your nearest MENARDS® retail store. At its discretion, PARTIOT LIGHTING® agrees to have the product or any defective part(s) repaired or replaced with the same or similar PATRIOT LIGHTING® product or part free of charge, within the stated warranty period, when returned by the original purchaser with original sales receipt. This warranty: (1) excludes expendable parts including but not limited to light bulbs; (2) does not cover damage that has resulted from abuse or misuse; and (3) does not cover any losses, labor, injuries to persons/property or costs. This warranty does give you specific legal rights and you may have other rights, which vary from state to state.