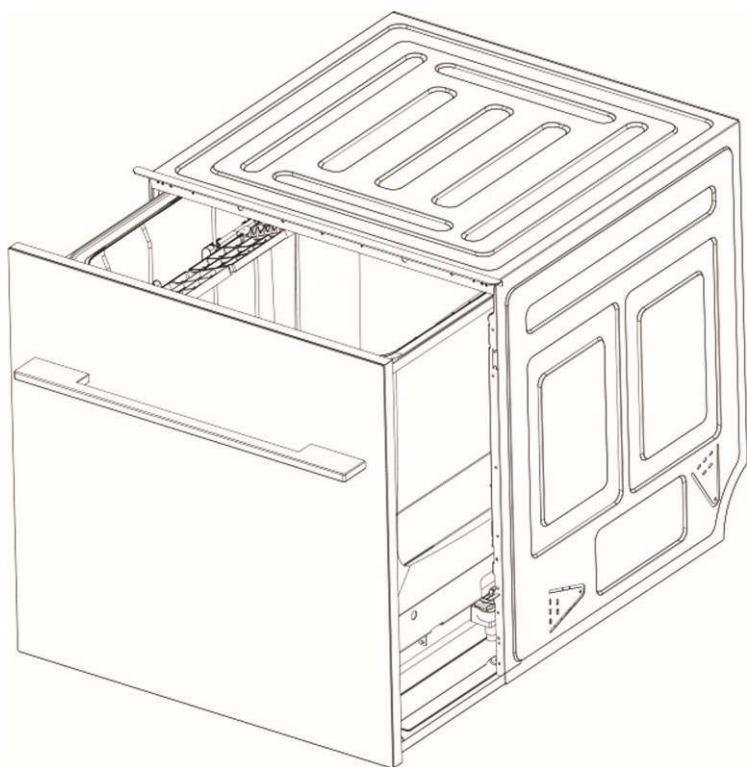




ARTUSI

THE ART OF LIVING



Model No.: ADW5607B & ADW5607X

Version No.:20211104

Congratulations, you are now the proud owner of an ARTUSI cooking appliance. Thank you for purchasing ARTUSI and welcome to the ARTUSI Family.

This instruction manual has been specially created to inform you of the full range of features your ARTUSI appliance has to offer and serves as an introduction to getting the very best out of your ARTUSI appliance.

We present detailed information on each of the features your ARTUSI appliance consists of. Once you have read this section you will be able to choose the most appropriate settings for your appliance when cooking different types of food.

We ask you to read the instructions in this booklet very carefully as this will allow you to get the best results from using your appliance. KEEP THE DOCUMENTATION OF THIS PRODUCT FOR FUTURE REFERENCE.

TO REGISTER YOUR PRODUCT WITH ARTUSI, PLEASE FILL OUT THE WARRANTY CARD AT THE END OF THIS BOOKLET AND POST IT TO: **REPLY PAID 83617**
LEICHHARDT NSW 2040



Dear Artusi Customer, please read this user manual carefully before using the product and, keep it permanently at your disposal.

Note: This user manual is prepared for more than one model. Some of the features specified in this Manual may not be available on your appliance.

All our appliances are only for domestic use, not for commercial use. Products marked with (*) are optional.

“THIS APPLIANCE SHALL BE INSTALLED IN ACCORDANCE WITH THE REGULATIONS FORCE AND ONLY USED IN A WELL VENTILATED SPACE. READ THE INSTRUCTIONS BEFORE INSTALLING OR USING THIS APPLIANCE”

“Conforms with the WEEE Regulations.”

This Operation Manual is supplied together with the "Installation Manual".

Important note!

These operation instructions must be properly kept.

The model mentioned this manual may not be sold on every market, and may vary at any time.

The models and specifications of the products sold in your country must be known dearly.

Catalog

Safety and Warning	2
Dish Maintenance.....	5
Packing List.....	6
Part name.....	7
Product Specifications.....	9
Installation Precautions	10
Installation Guidelines.....	11-15
Instructions.....	16
Cutlery basket.....	19
Basket and Cup holder.....	20-21
Place the dishes in the drawer.....	22
Water hardness is introduced.....	23
Washing procedure is introduced.....	24
Adding of Washing Agent.....	25
Adding of Rinse aid.....	29
Cleaning and Maintenance.....	30
Troubleshooting.....	34
Occurrence of Failure.....	36
Failure Diagnosis.....	38
Data of Washing Program.....	40
Technical Data.....	41
Repair and Service.....	42、43

Important safety instructions

The well-designed dishwasher can operate safely during the normal use. The following operating methods must be kept in mind during the use of dishwasher.

■ Important safety instructions

Warning!- During the use of dishwasher, the basic precautions, including but not limited to the following principles, must be observed:

- Read this manual completely before operating the dishwasher.
- Abide by the instructions in this manual, and minimize the fire or explosion risks in order to avoid property damage or personal injury.
- The dishwasher is just used for the purpose for which this user guide and quick guidance is intended.
- The dishwasher just applies to home use and following similar situations:
-Kitchens of shops, office areas or other work environment; Farm houses;Guests living in the hotels, motels or other living environment.
- Knives and other utensils with sharp points must be loaded in the basket with their points down or placed in a horizontal position.
- The household dishwasher shall just use the suggested washing agent and rinse aid which must be placed out of reach of any child. Every time after washing, it is required to check if the washing agent feeder is drained completely.
- To place the dishes in the dishwasher, it is forbidden to scratch the inner cover of dishwasher with the sharp dishes, and the handles of sharp handles must be kept upward in order to avoid hand cutting. During and after washing, the strainer (at the bottom of drawer) must not be touched by hand in order to avoid hand burn.
- The dishwasher must not be operated before all the control panels are closed.
- The control button must not be modified without permission.
- It is forbidden to use the dishwasher for other purposes, or seat or on the drawer or dish rack of the dishwasher.
- The door should not be left in the open position since this could present a tripping hazard.
- The foldable cup tray is used to carry tea cups, glass cups and kitchenware. When the foldable cup tray is placed in the dishwasher, it is forbidden to lean on the tray, or use the tray to support the body weight.
- In order to reduce the personal injury risk, the children are forbidden to play in or above the dishwasher.
- The dishwasher door must be dismantled before the old dishwasher is disassembled or abandoned.
- Some washing agents of dishwasher are strongly basic. The unexpected swallowing of washing agent may be very hazardous. Skins and eyes shall be protected from washing agent. When the dishwasher is opened, the children must be far away from the dishwasher. Every time after washing, it is required to check if the washing agent feeder is drained completely.
- The maximum number of place settings to be washed: 7 sets of.
- If the supply cord is damaged, it must be replaced by the manufacturer, its service agent or similarly qualified persons in order to avoid a hazard.
- After installation, Appliance can be unplug easily.
- Correct Disposal of this product:This marking indicates that this product should not be disposed with other household wastes throughout the EU. To prevent possible harm to the environment or human health from uncontrolled waste disposal, recycle it responsibly to promote the sustainable reuse of material resources. To return your used device, please use the return and collection systems or contact the retailer where the product was purchased. They can take this product for environmental safe recycling.



■ Important safety instructions

◆ Installation

- Before operating the dishwasher, it is necessary to install the dishwasher in accordance with the installation manual. If your dishwasher is not provided with installation manual, please call the after-sales service phone. Our after-sales personnel will offer the assistance.
- The installation and repair of dishwasher must be performed by the professional technicians.
- The power wire that is damaged shall be replaced by the professional technicians.
- The dishwasher must be fastened with screws in the cabinet. The dishwasher that is not fastened may shake, which may result into dishwasher damage or personal injury.
- If the dishwasher is damaged or fails, any component is dismantled, any part is missing or damaged, or any power wire or plug is damaged, the dishwasher must not be used any more.
- Never store gasoline or other flammable gas or fluid in any dishwasher accessory.
- The dishwasher shall be connected to the power source with suitable rated voltage and earthing protection in order to prevent the circuit from overloading.
- The power wire must be fastened at the designated place in order to prevent the power wire from damage or carrying any load due to treading or stumbling.
- The dishwasher must not be installed or stored in the place or outdoors at temperature below 0°.
- The dishwasher must not be connected to the power source with power extension wire or portable power socket (such as multi-hole socket).
- The dishwasher must be provided with earthing protection. In case of failure or damage, the earthing protection provides a current leaking path with minimum resistance so that the electric shock risk is reduced obviously. The plug must be inserted into the reliably earthed socket that is installed according to the local laws and regulations. Warning- The electric shock may be caused if the equipment earthing wire is not connected properly. If you doubt the reliable earthing of dishwasher, please contact the experienced electrician or after-sales service personnel for site test. The power plug of dishwasher must not be modified without permission. If the plug does not match the socket, please contact the experienced electrician to install the suitable socket.
- If the dishwasher is installed as a permanently connected equipment: Earthing instructions- The dishwasher must be connected to the permanent metal earthing wire or the earthing wire must be connected to the equipment earthing terminal or connector on the dishwasher through the electric wire.
- When installing, the power cord socket must be installed \There the power cord is easily accessible.
- There is an air outlet under the door of the dishwasher, so the bottom of the door should not be blocked by the carpet.

■ Important installation instructions

◆ Installation

- Before the dishwasher is cleaned or repaired, the power plug of dishwasher must be unplugged.
- To power off the dishwasher, the power plug must be disconnected in order to avoid damage. It is forbidden to pull the power wire or the connection between the power wire and the socket.
- Unless specially stipulated in this user guide, it is forbidden to repair or replay any part of dishwasher, or try to repair the dishwasher. When necessary, please contact the after-sales service department for repair, or refer to the section "Repair and Service" for relevant information.
- The floor around the dishwasher shall be kept clean and dry in order to avoid hazard due to slipping.
- The flammable materials must not be stored around or under the dishwasher, such as lint, paper, duster clothes or chemicals.

◆ Operating precautions

- The drawer must not be opened when the dishwasher is operating.
- The dishwasher can be used only when the motor, strainer, filter and spray arm are installed in place. Please read the pictures in the section "User's Maintenance Instructions" to know those components.
- To place the dishes in the dishwasher, much care shall be taken to avoid dosing failure of top cover because the dishes support the top cover. The dishes placed in the dishwasher must not be higher than the drawer, or be pressed forcefully for fear of damage.
- This appliance can be used by children aged from 8 years and above and persons with reduced physical, sensory or mental capabilities or lack of experience and knowledge if they have been given supervision or instruction concerning use of the appliance in a safe way and understand the hazards involved. Children shall not play with the appliance. Cleaning and user maintenance shall not be made by children without supervision.
- The cleaning and maintenance must not be performed by the unsupervised children.
- The children are prohibited to play in the dishwasher, seat on the dishwasher, or play in the abandoned dishwasher.
- If the cleaning agent of dishwasher is used, it is suggested to add the dish washing powder and apply one washing program immediately after cleaning in order to prevent the washing agent from damaging the dishwasher.
- The dishwasher is intended for ordinary household dishes, and must not be used to clean the dishes polluted with gasoline, paint, rust, corrosive or acid or basic chemical.
- If the dishwasher is not used in a long period, the power source and water faucet of dishwasher shall be turned off.
- The dishwasher must not be used to clean the plastic dishes except for those marked with "Dishwasher allowed" or other equivalent sign. For the plastic dishes without such sign, please refer to the manufacturer's suggestions.

Dish maintenance

■ Dish maintenance

When the dishwasher is used to clean the dishes, the mixture of high-temperature water and dish washing powder may damage the dishes. Please keep in mind that if you have any doubt about dish cleaning with dishwasher, please read the manual supplied by the product manufacturer, or wash the dishes by hands.

◆ Knives, forks and silver dishes

All the knives, forks and silver dishes shall be cleaned immediately after use in order to prevent any food from drying on their surface; in such case, the washing program is all owed. The silver dishes must not contact the stainless steel dishes; otherwise, stains may appear on their surfaces. The silver dishes must be taken out from the dishwasher and wiped dry immediately after the washing program finishes.

◆ Aluminum dishes

The use of dish washing powder may reduce the surface gloss of aluminum dishes. The gloss change degree depends on the product quality.

◆ Other metal dishes

The iron and cast iron dishes may become rusty, and leave stains on other dishes. Similarly, copper, tin-lead alloy and brass dishes may have stains on their surfaces.

◆ Wooden dishes

The wooden dishes are sensitive to heat and water, and the frequent washing with dishwasher may affect the quality of dishes adversely. In case of any doubt about this, please wash the wooden dishes by hands.

◆ Glassware

Most of glassware can be cleaned with dishwasher. However, crystal, carved and antique glassware may be etched, and become not transparent. Therefore, you may be prone to hand washing for such glassware.

◆ Plastic dishes

Some plastic dishes may be distorted or discolored in case of contact with hot water. Before cleaning the plastic dishes, the manufacturer's instructions shall be read. The plastic dishes that can be cleaned with dishwasher shall be placed at the bottom of dishwasher so that they will not be turned over, filled with water or fall in the course of washing.

◆ Ornaments

Most of modern chinaware can be cleaned with dishwasher. However, the chinaware with patterns, golden edges and hand drawings are more sensitive to the washing of dishwasher. In case of any doubt about this, please wash them by hands.

◆ Adhesive dishes

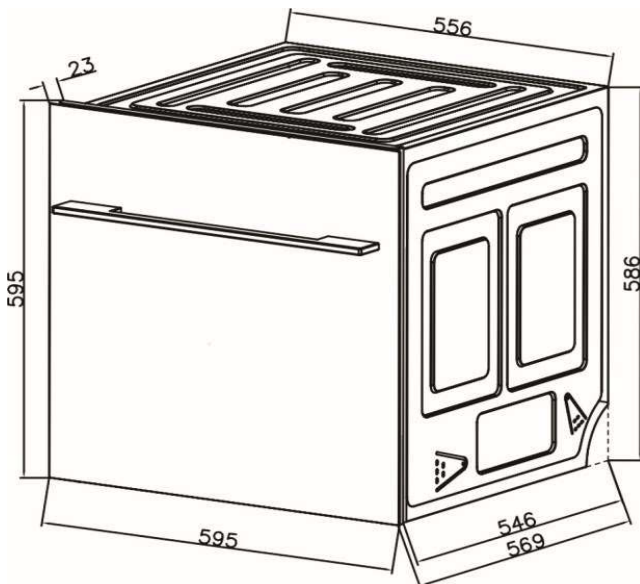
When the adhesive dishes are washed with dishwasher, some adhesives must be softened or dissolved. In case of any doubt about this, please wash them by hands.

Packing List

Please check the accessories in the box according to the List

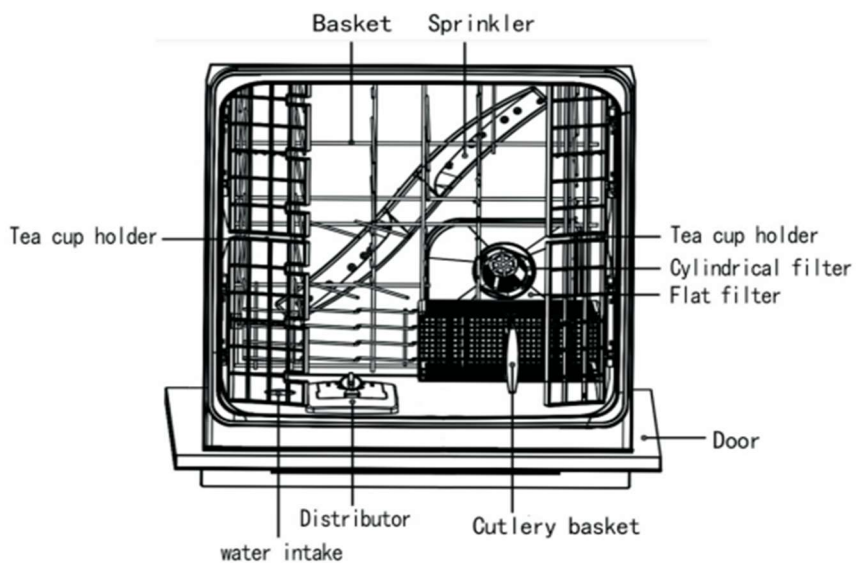
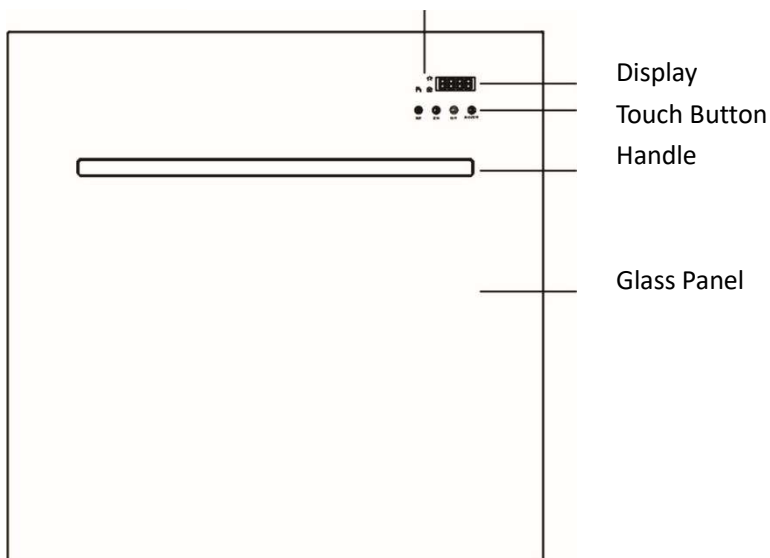
NO.	Packing content	Quantity
1	Machine	1 set
2	Basket components	1 set
3	Cutlery basket	1 set
4	Water inlet pipe	1 set
5	Manual	1 set
6	Warranty Card	1 set
7	Certificate of conformity	1 set
8	Mounting screws	1 set

Product size specifications

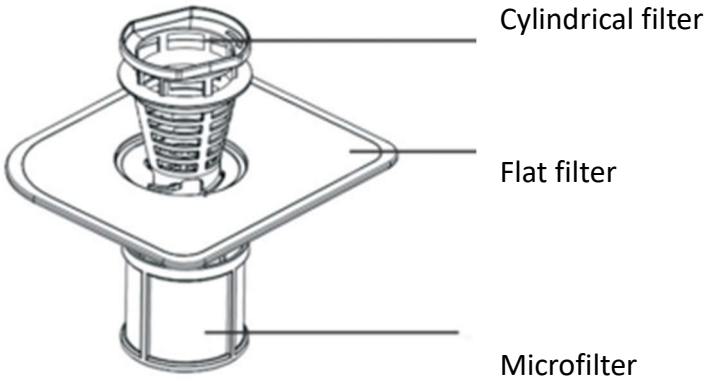


Part Name

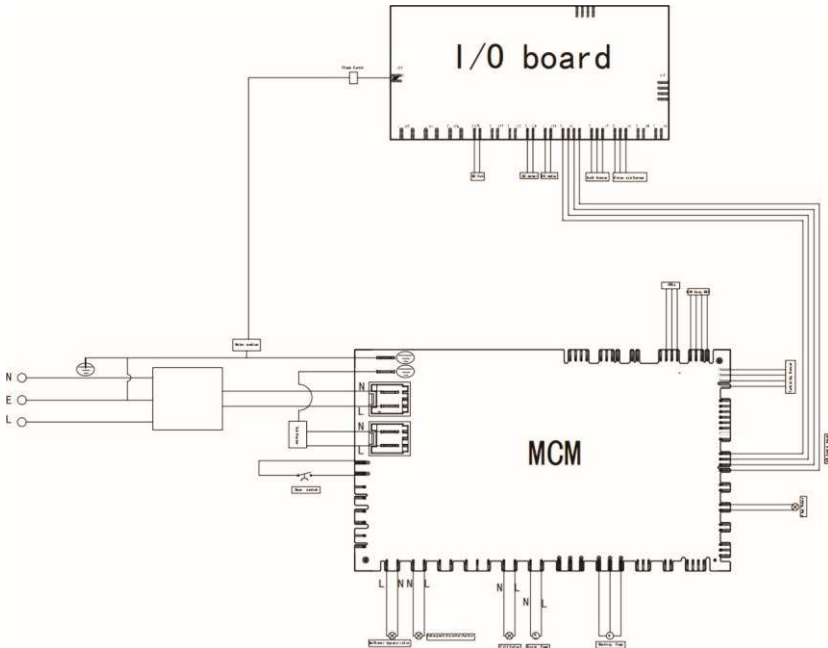
Indicator icon



Part Name



Electrical schematic diagram



Product Specifications



Product name	Drawer dishwasher
Rated Voltage	220-240V~
Voltage Range	50Hz
Rated Power	1850W
Rated Volume	87L
Laundry guide	Spray type
Drying method	After—temperature drying
Inlet water pressure	0.04-1.0Mpa
Capacity	7 sets
Display	LED
Control	Touch control
Installation	Built-in
Product Size (W*H*D)	595*595*569 mm
Package (W*H*D)	660*660*660 mm



Installation Precautions

Important safety instructions!

- Only qualified personnel mastering basic mechanical and electrical knowledge may install the dishwasher.
- The instruction book must be kept by the customer.
- The installation must be made as required by local building codes and electrical codes.
- At the end of dishwasher, the installation personnel must perform a final inspection.
- Remove all packaging materials of the dishwasher.
- The dishwasher is only for indoor use.
- Make sure all water pipe connectors are closed. The plumber must ensure that the installation complies with all laws and regulations.
- When installing the dishwasher, consideration must be made that it is possible to take it out for maintenance in future.
- The switching power supply socket must be outside the installation cabinet for dishwasher so as to facilitate simple insertion and extraction after installation.
- Be careful when installing or taking out the dishwasher; do not damage the power line or water pipe.
- Incorrect installation of the dishwasher may make the warranty or claim right invalid.
- Where the dishwasher is installed in motor home, ship or similar mobile facility, the customer must at his own cost drive the said mobile facility to the maintenance center or pay the travel cost incurred by the maintenance technician for arriving at the installation site for maintenance.

Properly keep these instructions

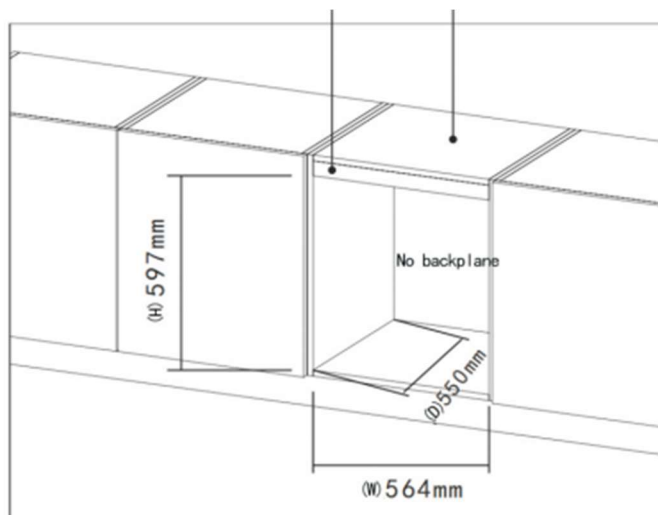
 Warning!	
	<p>Electric shock hazard Before installing the dishwasher, take off household fuse or open the circuit breaker. The dishwasher must be grounded. In event of fault or failure, the ground protection may provide current with one discharge path of the minimum resistance, reducing the risk of electric shock. The dishwasher is equipped with one conductor, which has equipment grounding wire and grounding plug. The plug must be inserted into a proper socket which is installed and suitable for grounding as per local laws and regulations. Warning - improper equipment grounding wire may lead to electric shock. If you doubt whether the dishwasher is correctly grounded, please contact senior electrician or service representative for check. Never modify the power plug of dishwasher; in case the plug is not matched with socket, ask senior electrician for installing proper socket. Never use extension cord, adapter or multi-pin socket. Otherwise, electric shock and even death may take place.</p>

 Warning	
	<p>Danger of cutting Be careful - the front edge of shell is very sharp. It may cause personal injury or occasional cut when you are not careful enough.</p>

Product Installation Guidelines

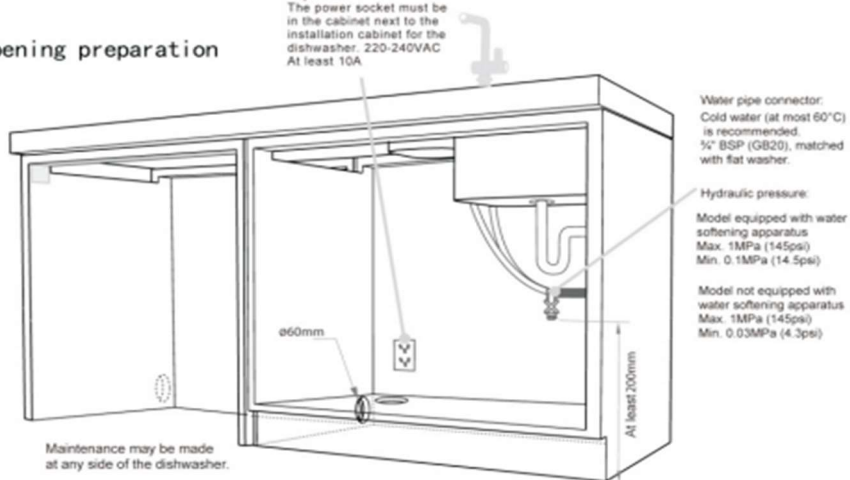
670mm (Standard floor cabinet)

55mm (Cabinet plate)



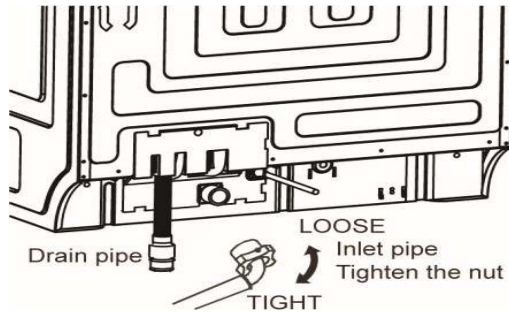
Opening preparation

Important!
The power socket must be in the cabinet next to the installation cabinet for the dishwasher. 220-240VAC At least 10A



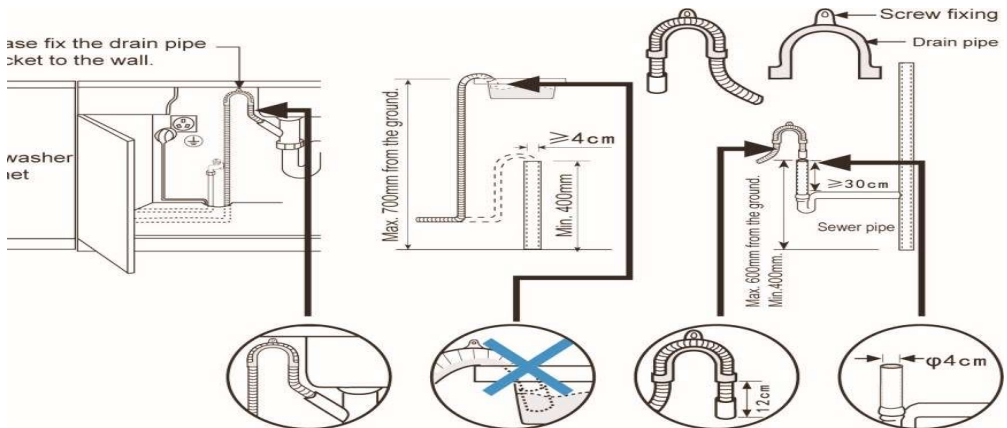
Installation Guide lines

Water inlet connection to dishwasher:



Connection method of drain pipe:

- The outlet end of the drain pipe can be inserted into the upright sewer, Or connect to the turning joint of the sink sink. The drainage pipe must be fastened with a clamp and the screws must be tightened. .
- When connecting the drain pipe, pay attention that the highest part of the drain pipe cannot exceed the highest height of the dishwasher.
- In order to prevent the backflow of sewage, the outlet of the drainage pipe cannot be immersed in water, and the drainage pipe is not bent and concaved.
- It is best to install the dishwasher near the drain pipe. The length of the dishwasher drain pipe is about 1.5 meters. If it is far away, users need to purchase adapters and drain pipes by themselves, but the total length should not exceed 4 meters, otherwise it will affect washing.

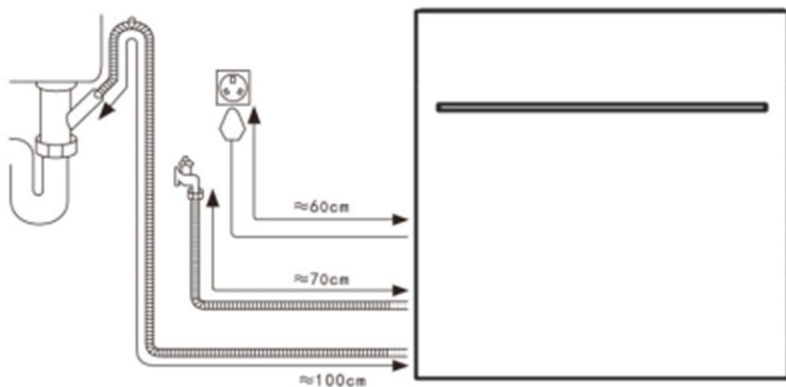


The drain nozzle must not be immersed in water.

Installation Guidelines

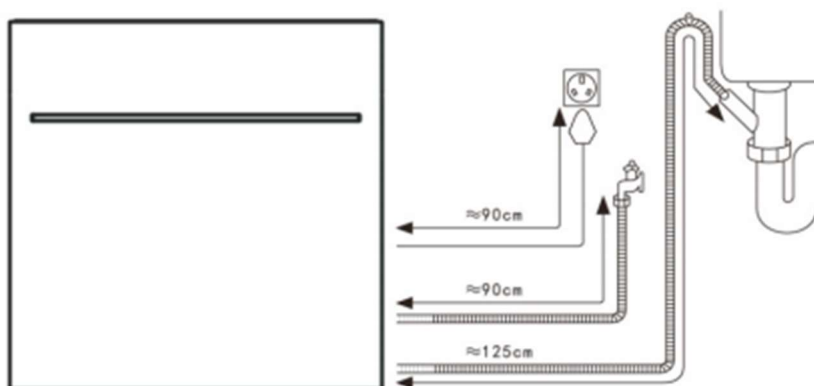
Notes on water and electricity connection of dishwasher:

1. The water inlet and drain pipes can be placed on the left or right side according to the installation needs.
2. Choose a place near the water inlet or drain line, and also near a power source with a reliable ground.



Connection diagram on the left.

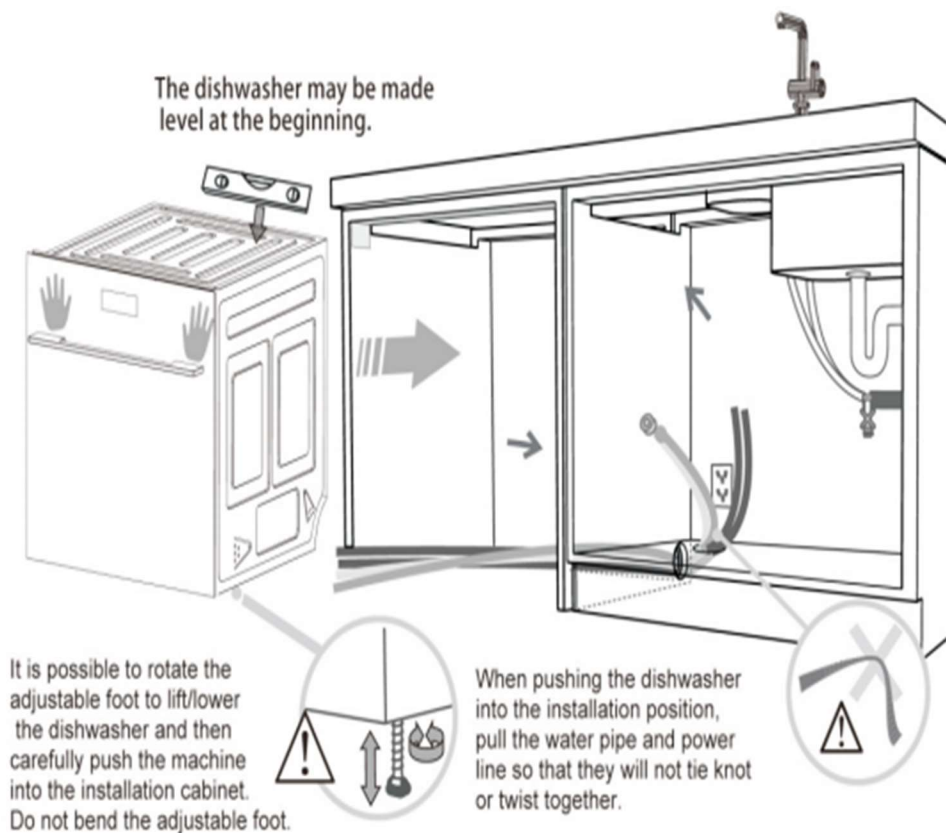
3. Connection diagram on the right.



Connection diagram on the right.

Installation Guidelines

Pass the water pipe through the cabinet shelf.



Installation Guidelines

Fixing of the dishwasher.

Put the dishwasher into the pre-opened cabinet smoothly. After putting it in place, pull out the drawer, and then fix the screw holes reserved on the sides of the dishwasher with the screws provided

Screw fixing holes.

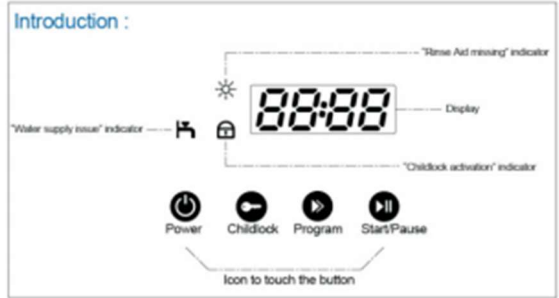


Check the dishwasher after installation:

1. Whether the dishwasher is installed smoothly;
2. Whether the joints of the water inlet pipe and the drain pipe of the dishwasher are properly connected and whether there is water leakage;
3. Whether the power plug is inserted properly;
4. Whether the water inlet faucet is turned on;
5. Pull out the drawer and remove all the accessories from the dishwasher;
6. Power on the dishwasher and run the standard wash program for 2-5 minutes.
Turn off the machine after confirming that there are no abnormalities

Instructions

◆ The operation interface



◆ Start

- If it is the very first initialization for the dishwasher, then the Choose Program screen is shown: "HELLO"
 1. Dark after Welcome-letters,
 2. After Welcome-letters passing: CHOOSE p (Choose Program);
 3. Continuous Welcome-letters.

- After pushing "▶" (program) button, program selection is started.
- For the next starts, the last program used, should be pre-selected, so that display shows the last run program and can be started immediately by pushing "Start/Pause".
- By Pushing "▶" (Program button), you can choose the washing program/ profile. The Washing profile name is shown in the display and is shown in a short form:
- Press the start/pause "▶||" button for 3-5seconds to cancel the current program.
- Alternating to the program name (short form) at display the related program time segments are displayed. This alternating/ switching between program name and related program time (e.g. every 2seconds) ends by pushing "Start/Pause" to start the program. From there on only the program time is displayed and counted down based on the profile definition.

Daily	DAY
Short	FR57
Auto	AU70
Heavy	HEAP
Glass	GLAS
ECO	ECO

◆ Operating Mode

- After the program is started, only the program time is displayed and starts to count down as long as the program is in progress. Time values are display steadily, the dots in between are displayed with flash.
- By pushing the Start/Pause button during the program is running, the program is paused.

At display the related program time is displayed flashing. The dots in between are displayed steadily. When the "▶||" button is pushed again, program continues. Remaining time display continues counting down.

Touch Instructions

◆ Lid motor operation

1. When press the "stop/start" button to boot, the top motor will drive the top drawer downward seal, and then the program will start.
2. The program is running mode, press the "stop/start" button to suspend the program runs. Within the prescribed period of time, the top motor drive upward, completely release the machine head, a buzzer two sounds to inform lid seal has been released.
3. After the start the program or in the process of the program is running, not to pull out the drawer, have to press the "stop/start" button, Such as roof upward in place after the buzzer two to pull out the drawer.

◆ Time Delay

It is possible to activate a time delay for the washing program to start.

The time delay can be activated by pushing (▶) + (⏸) keys for 3 seconds during Program Selection mode.

During Time Delay Selection mode, time delay changes in 1 hour steps (counting up) by pressing (▶). The time delay at a maximum can be 9 hours: "9".

The complete sequence while pressing (▶) is:




- By pushing (⏸) with "OFF" selection, the time delay is cancelled and program Selection mode is set back.
- By pushing (▶) with any other selection, the time delay is set and Time delay starts counting down every minute.
- During Time Delay Counting mode, after the time delay is exhausted the washing program is started in the standard operation way (see Program running mode).
Note: Once Time Delay mode is set, the door must be sealed through the Lid motors.
So,

If the user needs to access the basket, this mode must be cancelled first.


◆ Settings

- Settings can be configured by using a button combination during Start or Program Selection mode. By pushing (▶) + (▶) (for 2 seconds), the settings menu is entered. If (⏸) is pressed with "back" selection, it returns back to Program Selection mode.
- By pressing (▶) it switches between settings.

- By pressing () while any setting is selected, the corresponding setting submenu is entered in order to change the preferences.
- The following table shows visualization for each setting:

Setting	Visualization
Rinse Aid	rInS
Auto power off	AUTO OFF
Beep at the end of wash	bEEP End
Welcome screen	HELLO SCREEN
Childlock activation	AUTO CHILdLOCK
Childlock beep	bEEP CHILdLOCK
Factory setting	FACTORY
Back	bACK

◆ Settings

By pushing () the level or preference changes (switching) starting from Water Softener and finishing in Back. The following table shows the different submenu selections for each setting:

Submenu	Description	Visualization
Rinse Aid	Regulation of dispenser amount (level 1-5)	0 1 : (...): 0 5
Auto power off	Time to switch OFF power after inactivity (end of wash or selection mode)	5 : 10 : 30 : OFF 5 (...)
Beep at the end of wash		On : OFF : On
Welcome screen		On : OFF : On
Childlock activation	Permanent activation of childlock at start	On : OFF : On
Childlock beep		On : OFF : On
Factory setting	Back to factory settings	dONE
Back	Go to the previous menu list	Nothing

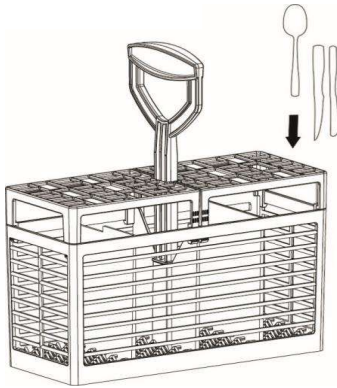
◆ Childlock function

- There are two ways of managing Childlock:

- touch areas are enabled again.

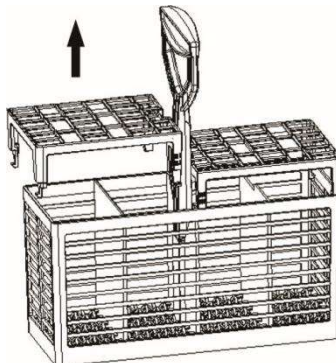
■ Knife and fork barrel

- In order to reduce the risk of injury, you are suggested to place the sharp edges of knives, forks and other sharp dishes downward.
- If the spoons are mixed with knives and forks, the contact faces may not be rinsed with water so you are suggested to place the spoons and the knives and forks separately, **to ensure the complete water rinsing (of dishes).**
- **The stainless steel dishes must not be placed together with silver dishes, in order to avoid stains on the silver dishes.**



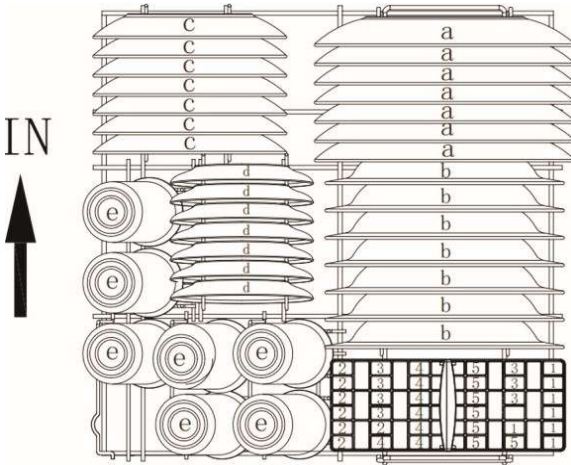
■ Knife and fork barrel cover and cleaning

If there are dirty things in the basket or large pieces of dirt must clean up, can open the basket to clean.



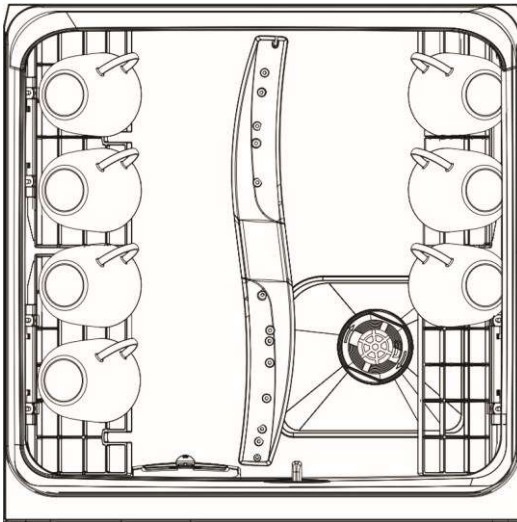
Basket

Tableware layout (reference) :



Type	Item
a	Dinner plate
b	Souper plate
C	Dessert plate
d	Saucer
e	Glass
1	Soup spoons
2	Knives
3	Knife
4	Dessert spoons
5	Tea spoons

Cup bracket placement diagram (reference) :



Cup holder



Foldable cup tray

Every tray can be adjusted separately to any height:

1. Tilt the tray to the almost vertical direction.

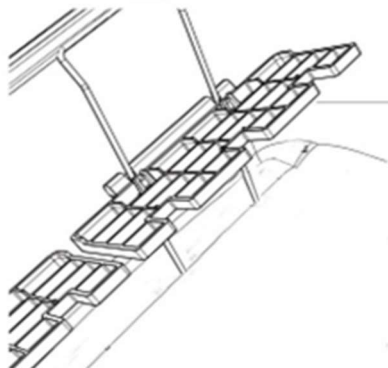


2. Slide the tray up and down to the suitable height.



3. Tilt the tray to the almost horizontal direction.

If a larger space is needed, please tilt the tray to the almost vertical direction.



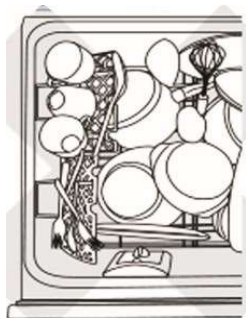
4. Goblet slot

Those slots are used to fasten the goblets.

Place the dishes in the drawer

Place the dishes in the drawer. Please make sure that:

- The arrangement of dishes must ensure that the water sprayed by spray arm can reach any zone where the dishes are placed (the improper arrangement of dishes may result in bad washing effect).
- No dish shall obstruct the water sprayed by spray arm from reaching the dishes placed on the foldable cup tray.
- Keep the glassware and other fragile dishes stable to prevent the glassware from being destroyed by the water flow sprayed by spray arm.
- Examples of wrong dish arrangement

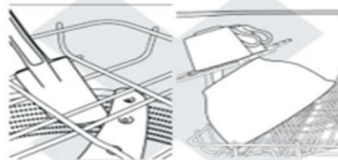


- Water cannot reach some dishes before too many dishes are contained.
- The openings of tea cups, glass cups and bowls must face down.



- Ensure that the dishes are not pressed forcefully into the drawer, or higher than the drawer; otherwise, the dishwasher may be damaged because the drawer seal cover is not closed tightly. In such case, the site repair by the repairer is required.
- The sharp dishes must be arranged reasonably in order to avoid personal injury or damaging the inner wall and seal cover of drawer.
- Check the bottom of knife and fork barrel, and ensure that the rotation of spray arm is not obstructed because the sharp knives extend from the barrel bottom.

- If the dishes are overlapped, the water sprayed by the sprinkler cannot pass through the dishes (the dishes cannot be washed).
- Ensure that the knives and forks are not overlapped. The knives and forks must be scattered evenly.



- Ensure that the rotation of spray arm is not obstructed because the knives and forks fall out from the barrel.
- The improper arrangement of large bowls may obstruct the water sprayed by spray arm from reaching the dishes placed on the foldable tray.
- The large and loose dishes shall be placed on the adjustable cup rack to prevent the rotation of spray arm from being obstructed because the dishes are scattered by water. The sharp dishes must be arranged horizontally, or the shape tips must face down in order to avoid personal injury.

Water hardness is introduced

◆ What's the water hardness?

The hard water indicates the water with a high content of calcium, magnesium and other minerals. The content of such minerals in the soft water is lower. The water in the different region has a different hardness.

◆ What impact does the hard water have on the washing effect?

- The hard water has adverse impacts on the washing effect. The long-period use of hard water may reduce the transparency of glassware, and form the white scale on the surface of bowl. The long-period use of high-hardness water may damage the internal components of dishwasher.
- If the dosage of washing agent is suitable, the natural soft water and artificially softened water have no adverse impact on the washing effect. If the excessive amount of washing agent is used in the hot water, the glassware may be etched permanently. The etching starts in the form of rainbow film; if the etching continues, the glassware may become non-transparent for ever.

◆ How is the impact of adverse factor reduced?

Please contact the local water supply company to know the hardness of your tap water.

◆ If your water is the hard water, and your dishwasher is not equipped with internal water softener...

- Please follow the suggestions about dosage of washing agent given on the last pages.
- If possible, the washing agent with a high content of phosphate can be used because the phosphate can soften the water and thus improve the washing effect. If it is impossible to use the washing agent with a high content of phosphate, the multi-function washing block is suggested.
- Use of rinse aid: It is suggested to adjust the dosage of rinse aid to "5" in order to improve the washing effect.
- The dishwasher shall be washed regularly with cleaning or anti-scaling agent. The dishwasher in which the scale is found shall be washed immediately with cleaning or anti-scaling agent.

Important note!

You are suggested to add the water softener in your water supply pipeline. If the hardness of your water is above 250ppm, the water softener must be installed to ensure the acceptable washing effect.

◆ If your water is the natural soft water or softened water●●●

- The dosage of washing agent shall not be too much. The suggestions about dosage of washing agent given on the last pages shall be followed.
- Ensure that the drawer is not filled too fully so that all the dishes can be washed with water.

Washing procedure is introduced

- First know the hardness of your water, and then determine the necessary dosage of washing agent according to the following form. Meanwhile, please refer to the section 'Water Softener'.
- Please read "Quick Guidance" to know the program to be selected.
- The dosage of washing agent has been marked on the washing agent feeder. Please refer to the section "Adding of Washing Agent".

Water hardness Percent concentration (ppm)		Dosage of washing agent	
		Dosage marking on washing agent feeder	Dosage
British concentration (gpg)	Washing program		
< 100ppm	Heavy	2/3	27g
	Daily	2/3	27g
	Eco	1/3	13.5g
	Short	-	-
	Glass	1/3	13.5g
	Auto	2/3	27g

*If the water softener is installed in your home, please refer to the suggested dosage for the water with hardness below 100ppm (regardless of local water hardness).

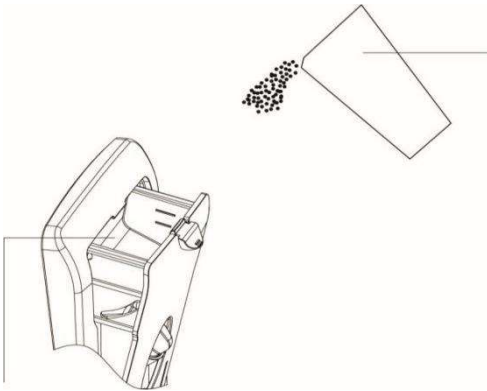
Notice:

If the hardness of your water is above 625ppm, the washing effect of dishwasher may be reduced.

Adding of Washing Agent

■ Adding of dish washing powder

Notice: You can see the washing agent With similar washing effect sold in the supermarket, know and observe the use suggestions of washing agent manufacturer.



Pour the dish washing powder into the washing agent chamber

Washing agent chamber

◆ Pour the dish washing powder into the washing agent feeder

- 1.Press the buckle to open the washing agent feeder.
- 2.First check if the washing agent feeder box is empty and dry, and then pour in the dish washing powder (never add the blocky washing agent into the washing agent feeder). The Rinse program does not need any washing agent.
- 3.Close the feeder till the buckle is fastened. The dish washing powder may fall into the bottom of dishwasher drawer.

Notice: When the dishes to be cleaned are very dirty and the used water has a high hardness, a suitable amount of washing agent shall be added to improve the washing effect.

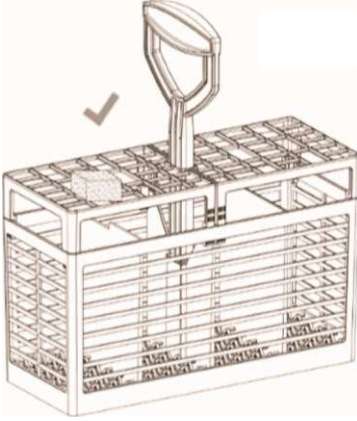
◆ Note:

If no dispenser model configuration, then put the detergent directly into the dishwasher;

If the block is put in the dishwasher, take the blocks on the knife and fork basket gap position.

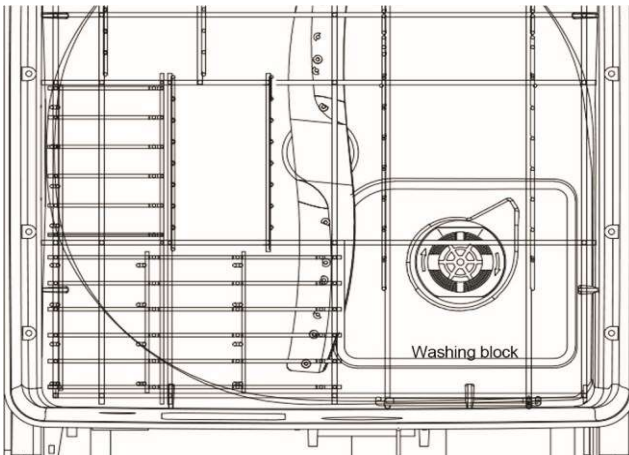
■ Adding of washing block


Notice: You can see the washing agent with similar washing effect sold in the supermarket, know and observe the use suggestions of washing agent manufacturer.



Add the washing block into the washing block Box on the knife and fork barrel

If the knife and fork barrel is not used during washing, the washing block can be placed directly at the drawer bottom (around the fine filter, at the lower position on the bottom).




1、 Childlock can be automatically activated for every start after selecting a program and pressing () if "Permanent activation of Childlock at start" is configured as "ON" as a preference in settings menu.

2、 Otherwise, to activate childlock mode: press () for 3 seconds during Program Running mode.

If the activation is successful, the 7-segment shows:

- While Childlock is activated all other touch area functions are disabled and remains ON.

By touching any button, the Childlock activated screen is shown for 2 sec (see above table).

To unlock / deactivate Childlock, () has to be pressed again for 3 seconds. When deactivation was successful, the indicator symbol is not lighted any more and all other

■ Inapplicable washing agent

The following washing agents are inapplicable to the dishwasher, and may damage the dishwasher and result in loss of warranty.

Important note!

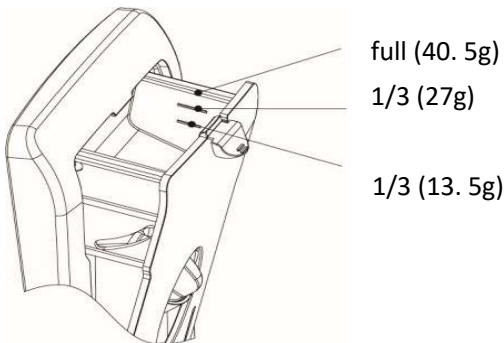
The following washing agents must not be used in the dishwasher:

- Washing fluid
- Laundry soap powder
- Liquid soap
- Soap
- Sanitizer

◆ Dosage of washing agent

For the dish washing powder, please refer to the last section "Introduction to Washing Program", and add the dish washing powder according to the local water hardness.

A suitable amount of washing agent shall be filled according to the adding mark. Other washing agents shall be added according to the manufacturer's suggestions.



◆ Use instructions of washing block

- If the washing block is used, the manufacturer's suggestions on the packing bag shall be observed. Some washing blocks may not be applicable to all the washing programs.
- The use of washing block in the region with hard water can improve the washing effect.
- Ensure that the washing block does not contact the dishes, knives or forks directly.
- If the used washing block contains any rinse aid, you are suggested to lower or disable the function of rinse aid. Please read the introductions in "Quick Guidance" for details.

Important note!

Washing agents of dishwasher are strongly basic. The unexpected swallowing of washing agent may be very hazardous. Skins and eyes shall be protected from washing agent. When the dishwasher is opened, the children and the weaker people must be far away from the dishwasher. After washing, it is required to check if the washing agent feeder box is drained completely.

- In order to improve the drying effect of dishes, the use of rinse aid is suggested.
- The rinse aid can remove the water stains on the glassware and chinaware, and prevent the metallic products from loss of gloss.
- The rinse aid feeder is located inside the drawer and under the washing agent feeder.
- About 50ml rinse aid can be added into the rinse aid feeder.
- It is normal to hear the abnormal sound when the rinse aid feeder is operating.

◆ When to add the rinse aid

If the lack of rinse aid is detected, the above sign will be shown after the machine starts. The sign will flash for three times every minute, to warn the user of adding the rinse aid.

- If the rinse aid indicator lamp does not go on, it is unnecessary to add the rinse aid, and the existing rinse aid is enough for the washing program.

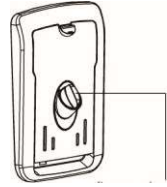
Notice: Compared with the rinse aid with darker color, the dimming level of indicator lamp is less if the rinse aid with lighter color is used.

Add the rinse aid

◆ How to add the rinse aid

Note: If there is no distributor model, cannot add the rinse aid. Combination of washing the dishes is recommended to be used.

1. Counterclockwise rotate and remove the plug.
2. Add the rinse aid into the round hole. Notice to prevent the rinse aid from splashing outward the feeder.



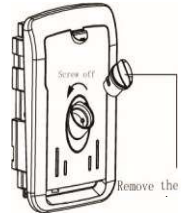
Important note!

The spilled rinse aid, if any, must be wiped off; otherwise, much bubbles may be produced, resulting in damage to dishwasher and loss of warranty.

3. Refit the plug, and then clockwise rotate the plug in place.

Important note!

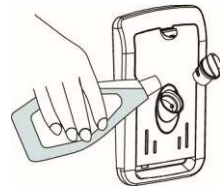
Ensure that the plug is tightened, and the plug handle is vertical.



◆ Dosage of rinse aid

The dosage of rinse aid for every washing process shall be adjusted between "0" (min.) and "5" (max.) according to the local water hardness. Please refer to the section "Preferred Options" in "Quick Guidance" for details.

- If there are many bubbles after washing, the dosage setting of rinse aid shall be decreased.
- If the dish drying effect is not good, the dosage setting of rinse aid shall be increased.
- If you live in the hard-water region where no water softener is installed in the water supply pipeline, it is suggested to adjust the dosage setting of rinse aid to "5".



Add the rinse aid into the feeder



Rotate and tighten the plug

Cleaning and Maintenance

Important note!

The dishwasher must be powered off during cleaning and maintenance (unplug the power wire of dishwasher, or turn on the fuse).

◆ Holiday maintenance

- If the dishwasher is not used in a long period, you are suggested to clean and unload the dishwasher, open the drawer to circulate the air inside, and turn off the power source and water faucet of dishwasher.
- Before the dishwasher that has been out of service for a long period is reused, it is suggested to add 3 cups of water into the dishwasher, in order to moisturize the parts that become dry due to long-period no use.

◆ Cleaning of dishwasher surface

1. Wipe the dishwasher surface of clean wet cloth, and notice not to wet the control panel.
2. Wipe the surface dry with clean lint-free cloth.

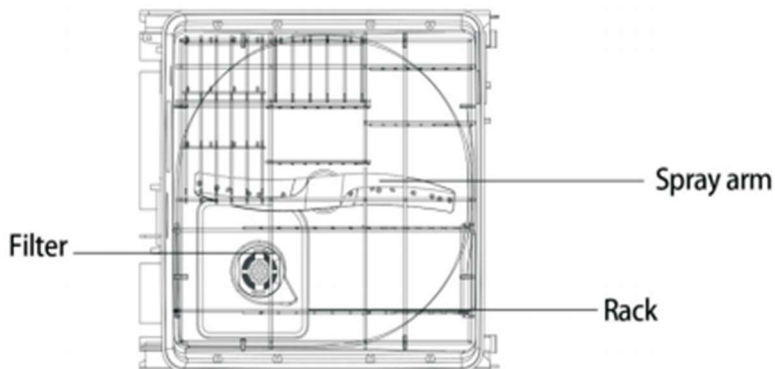
Important note!

You are suggested no to wash the dishwasher by the following methods because they may damage the dishwasher:

- Plastic or stainless steel wiping pad;
- Abrasive agent, organic solvent or household cleaning agent;
- Acid or basic cleaning agent;
- Liquid soap or soap;
- Stainless steel cleaning or polishing agent;
- Laundry soap powder or sanitizer.

◆ Cleaning of strainer, spray arm and filter

- In case of normal use, it is suggested to clean the strainer and filter at least once every month or when the food residues are found on the strainer or filter.
- In case of normal use, the spray arm does not need frequent washing.

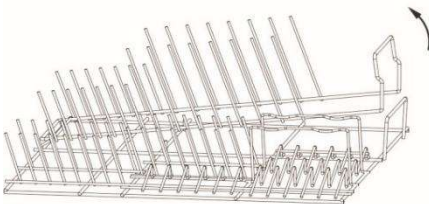


Cleaning of strainer and filter

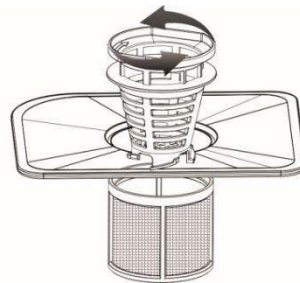
- Important note!
- If the cleaning or anti-scaling agent of dishwasher is used, one washing program shall be applied after washing to prevent the cleaning agent from damaging the dishwasher.
- When the dishwasher is used, the strainer, filter and spray arm must be installed in place.
- To use the dishwasher, it is suggested to fasten the rack at the correct position by the right hand.

◆ Removal and cleaning of flat filter and fine filter

1. Push in the foldable rack on the dish barrel, and then lift it up so that the flat filter and other components under the foldable rack can be removed for cleaning without taking out the whole barrel (counterclockwise rotate the lifting cup, and when the flat filter becomes loose, take out the flat filter), facilitating the operation.
2. After cleaning, refit the filtration system: first place the fine filter in the water cup, then install the flat filter, and next refit the lifting cup and clockwise screw down the lifting cup; at last, refit the foldable rack on the dish barrel.



Rotate leftward or rightward



Removal and cleaning of strainer and filter

3. Lift up and remove the filter. It is normal if there is water under the filter.
4. As shown on the picture, rotate the filter cap and handle, and lift up the filter cap at the filter cap notch to separate the cap from the handle.
Notice: Never try to separate the filter cap from the handler from both sides at the same moment; otherwise, the filter may be damaged.
5. First rinse the strainer with hot soapy water, and then wash it with clean water.
6. Take out the handle carefully. Remove all the dirt from one side, rinse the handle with soap water, then wash it with clean water, and next wipe it clean with wet cloth.
7. Arrange the filter cap carefully in place, and ensure that the filter cap is clamped at the fixed position.

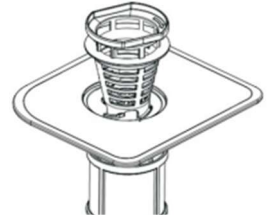
8. Re-fasten the filter:

- A. Combine the filter cap with the handle.
- B. Rotate the filter cap till the lifting cup on the handle is aligned with the fine filter mesh, and next rotate it clockwise to clamp them tightly.
- C. Rotate the lifting cup till the lifting cup slot and water tank buckle are fastened.
- D. Rotate the filter till the clamping sound of slot is heard and the filter cannot be rotated anymore; now, the installation of filter completes.

9. No matter whether the whole lower dish rack (which has been removed) or the moveable bracket is installed, ensure that they are refitted correctly. (As described above, the moveable bracket shall be clamped onto the fixing buckle of lower rack).

10. Install the bracket door.

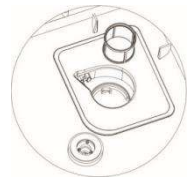
Place the bracket door on the lower dish rack, and then install the knife barrel.



Rotate the lifting cup till the lifting cup slot and water tank buckle are fastened

Installation steps of strainer:

1. place the fine filter in the water tank.



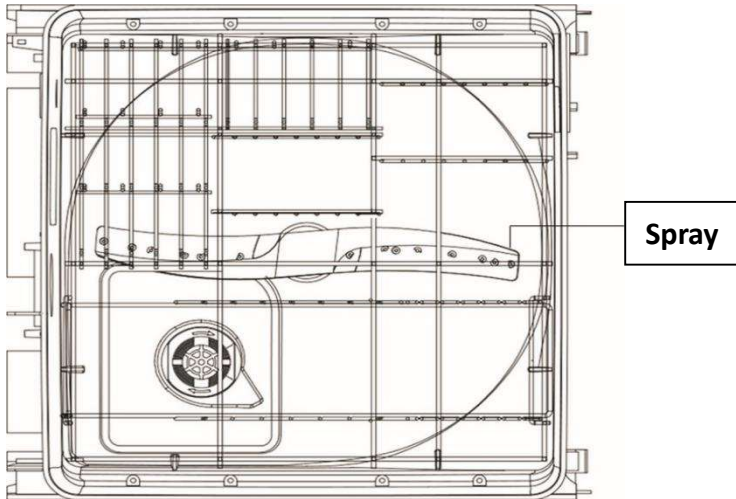
2. Properly install the flat strainer according to the shape corresponding to the flat strainer.



3. Rotate the lifting cup till the lifting cup slot and water tank buckle are fastened.

■ Cleaning of spray arm

1. Power off the dishwasher, or unplug the power wire plug.
 2. Lift up the glass cup bracket from the bracket iron wires (if the bracket is folded), lift up all the tea cup trays, and ensure that they are vertical and close to the drawer top.
 3. Remove the dish rack carefully: lift up the rear part of lower rack, and during this course, notice to prevent the front end of rack from colliding with the feeder box or rinse aid box.
 4. Take out the spray arm, and remove all the residues in the spray arm.
Wash the spray arm With clean water, and then wipe it dry with wet cloth.
 5. Insert the spray arm onto the support.
 6. Properly install the lower dish rack, and notice to first install the front end of lower dish rack in place.
 7. Push in the drawer, and power on the dishwasher.
- Notice: The broken glass or tea cup debris in the drawer must be removed completely and carefully for fear of damaging the dishwasher



Troubleshooting

Failure	Possible cause	Solution
Fail to wash clean	The washing program and the dish capacity are not suitable.	Refer to the "Quick Guidance" and select the suitable program; or, the dirt is dry and affixed onto the dishes so the dishes have to be soaked for a period.
	The spray arm does not rotate.	Ensure that the rotation of spray arm is not obstructed by other object.
	The drawer is filled too fully or the dishes are not arranged properly.	Refer to the section about dish arrangement.
	The strainer/ installation of strainer is wrong.	Refer to the section "Cleaning and Maintenance".
	The washing agent is added into the wrong feeder.	The washing agent must be added into the large feeder box. Refer to the section "Adding of Washing Agent".
	The dishes are placed in the dishwasher before the food residues and oil stains on the dishes are removed.	Remove the food residues and oil stains on the dishes before the dishes are placed in the dishwasher.
	The washing agent is inapplicable.	Add the correct washing agent to wash the dishes. Refer to the examples of correct and wrong adding of washing agent given in the section "Adding of Washing Agent".
	The washing agent is insufficient.	Refer to the section "Adding of Washing Agent", or observe the suggestions of washing agent manufacturer.
	The spray arm is clogged.	Clean the spray arm.
	The strainer or filter is clogged	Clean the strainer and filter.
There are bubbles	The dosage of washing agent is wrong.	Refer to the section "Introduction to Program", or observe the suggestions of washing agent manufacturer.
	There is too much egg white on the dishes.	Increase the dosage of washing agent.
	The rinse aid setting is too high.	Decrease the dosage setting of rinse aid.
	The rinse aid feeder box is not closed tightly.	Ensure that the rinse aid feeder is closed tightly, and refer to the section "Adding of Rinse Aid".

Failure	Possible cause	Solution
Water leaking	The drain pipe is not correctly connected to the drain hole.	Reinstall the drain pipe onto the drain hole.
	Water supply and drain pipes are not connected correctly.	Ensure that the water supply and drain pipes are connected securely.
	Other water leaking	Turn off the power source and water faucet of dishwasher, and contact the after-sales service department of Haier for repair. Refer to the section "Cleaning and Maintenance" for more information.

Troubleshooting

Failure	Possible cause	Solution
The drawer cannot be opened (no beeping or water sound)	The child lock function is activated.	Disable the child lock. Press the key "🔒" till no symbol is shown on the screen.
	Drawer-close auto lock option	Press any key, and start the dishwasher within 30s
Power failure in the course of washing	Power failure in your home or community	After power restoration, continue the dish washing from the step when the washing program interrupts.
With continuous beeping, the error code is shown on the screen	A failure occurs.	Refer to the section "Occurrence of Failure"
The machine makes intermittent beeping	The dishwasher is paused.	Turn on the dishwasher, and press the key "▶▶" to continue the dish washing.
The dishwasher cannot start	The power supply is not turned on	Turn on the power supply
	The drawer is not closed properly	Ensure that the drawer is closed properly
	The key lock or child lock function is activated	Disable the key lock or child lock, and press the key "🔒" till no symbol is shown on the screen, or the indicator lamp goes out.
The dishwasher makes noise after washing.	This is normal. In the drying program, the noise will continue from completion of washing to end of drying.	No need to pay attention. The noise will stop automatically when the set time expires, or the drawer is opened. Sometimes, the noise may continue after the drawer is closed.
The dishwasher makes noise after the dishwasher is closed (before a new washing program starts).	This is normal. After washing, the noise caused by drying may continue till the drawer is closed and the set time expires.	No need to pay attention. The noise will disappear when the set time expires.

Failure	Possible cause	Solution
The motor noise is very loud	There is no water around the motor.	Such case often happens upon initial use of dishwasher or reuse of dishwasher that has been out of service for a long period. 3 cups of water shall be filled into the dishwasher before the washing program starts.

How to know the occurrence of failure?

With the auto diagnosis function, the dishwasher can warn the user of the failure through the continuous beeping sound.

Both the washing program panel in the drawer and the screen show the error code.

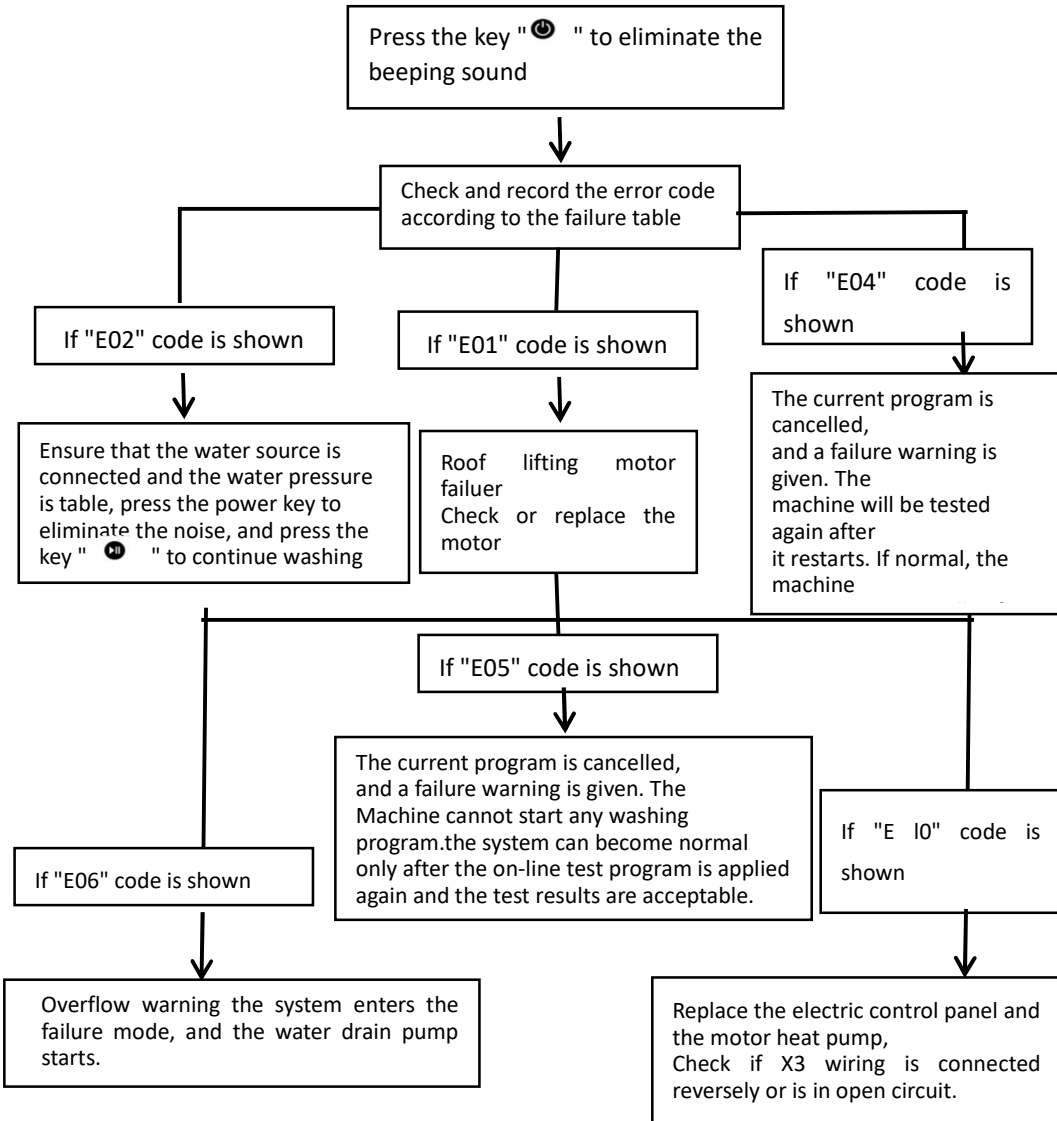
E0*

What measure shall be taken in case of failure?

Diagnose the failure in accordance with the flow chart below. Partial failures may be eliminated (together with others); however, it is necessary to contact the after-sales service center to arrange the repair. Please refer to the section "Troubleshooting" for the contact information.

Fault Diagnosis

Start



Display	Possible failure cause
E01	Roof lifting motor failure
E02	The water inflow is abnormal, unstable or low.
E04	NTC test value is not symmetric (during Class B test)
	The temperature rise of heater is abnormal (Class B heater switch relay fails)
	The temperature is over the upper limit
E05	No temperature rise; the system cannot detect the temperature rise after the heater starts.
E06	Overflow switch
E07	Display board and motherboard communication failure
E08	Main board and sub board communication failure
E10	Any other failure that cannot be corrected automatically

Data of Washing Program

To know the selecting method of program, please refer to "Quick Guidance".

The time of washing program is given in the following table:

Auto	Heavy	Daily	Eco	Short	Glass
Prewashing 20min	Main washing 58 °C	Main washing 55 °C	Main washing 45 °C	Main washing 40 °C	Main washing 45°C
Prewashing 18min	Main washing 55 °C	Cold rinsing 7min	Cold rinsing 7min	Rinsing 7min	Cold rinsing 8min
Main washing 60°C	Cold rinsing 7min	Cold rinsing 9min	Cold rinsing 7min		Hot rinsing 50°C
Cold rinsing 5min	Hot rinsing 65°C	Hot rinsing 65°C	Hot rinsing 50°C		Drying stage
Cold rinsing 3min	Drying stage	Drying stage	Drying stage		
Hot rinsing 55°C					
Drying stage					

Notice:

The washing time depends on many factors such as water temperature, ambient condition, quantity of dishes, and if the drawer is opened during washing. The washing time shown on the electronic screen is the approximate value calculated as per the water temperature 20 °C.

Technical Data

■ Technical Data

Power source	220-240V～ ,50Hz
Power	Max. power : 1850W
Water consumption	8.4L
Outline dimension	595x569x595 (wide* deep* high) mm
Weight (net)	About 30Kg
Drying mode	By blower

Repair and Service

Warranty instructions of dishwasher

Dear users,

Thanks for your using the dishwasher. The Company will offer the following service in accordance with the relevant provisions of the Law of the People's Republic of China on Safeguarding the Consumer Rights and Interests and the State Bureau of Quality and Technical Supervision and on the basis of the warranty instructions and Invoice:

- One-year free warranty service is offered for whole machine.
- Three-year free warranty service is offered for main components (including main control panel or program controller, heater, washing pump and water drain pump).
- The following cases are outside with the free service scope, for which the paid repair and full-life service can be offered:

[A].The warranty certificate and invoice cannot be offered;

[B]. The invoice is altered;

[C]. The damage is caused by accident or improper use;

[D]. The damage is caused by the repair unapproved by the Company;

[E].The machine is over the valid period of warranty service, and can be reused after repair.

- 3-month warranty service is offered for the machine for public use installed in such place as institution, shop, school and hotel, and one-year warranty service is offered for main components.
- The valid period of warranty service starts from the date when the invoice is issued, deducting the time occupied by repair and the waiting time for any part that is unavailable.
- Within the valid period of warranty service, the consumer can repair, replace or return the machine on the basis of invoice and warranty certificate.
- In case of any performance failure within 7 days after the machine is sold, the consumer can return, replace or repair the machine.

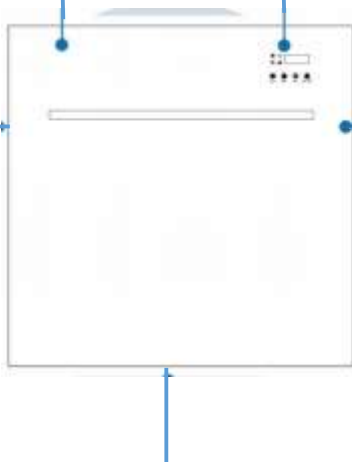
In case of any performance failure within 15 days after the machine is sold, the consumer can replace or repair the machine.

Instructions to the user

For the product over the warranty period, the after-sales service personnel can offer the paid service, and the charge (over-warranty charge) includes the costs of both labour and parts. Every payment made by the user is charged according to the uniform after-sales charging standard offered by the repairer, and invoiced by the repairer; otherwise, the user can reject the payment.

General dish rack design.
Designed for different dishes.
More applicable to the demands of different users, and more convenient to arrange the dishes.

All-round spray system
360° complete removal of dirt.
BLDC motor, low power consumption, high hydraulic force, and capable of removing all the dirt.



Fashion appearance Match with the kitchen style freely
The dishwasher appearance is featured by the modern and fashion shape and the decent color.

Outstanding cleaning effect.
Perfect high-temperature and clean washing. The dishwasher is good at eliminating the animal fat that is hard to clear. The oil stains are cleared easily with the special dish washing powder and the powerful water flow of high spray height after the fat is melted with high-temperature water.

Drawer-type design.
Drawer-type structure design, facilitating the installation and maintenance.
Owing to the drawer-type design, this product has the more reasonable installation space, is more convenient to install, and is easy and convenient to repair and maintenance as a whole.

Enjoy washing Enjoy high-quality life

Realize your high-style life precisely, and endow the special concept to every type of product of the same family.

Please read this manual carefully in order to help the safe and comfortable use of the product. For the safe use of the product, the safety precautions and other instructions in this manual must be read carefully before operating the product.



Warranty Card continued

artusi.com.au

4. Time for Claim under the Warranty

You must make any claim under this Warranty within twenty eight (28) days after the occurrence of an event which gives rise to a claim pursuant to the Warranty, by booking a service call on the telephone number below.

5. Proof of Purchase

Customers must retain proof of purchase in order to be eligible to make a warranty claim in respect of an artusi product.

6. Claiming under the Warranty

Customers will bear the cost of claiming under this Warranty unless Worldwide Appliances determines the expenses are reasonable, in which case the customer must claim those expenses by providing written evidence of each expense to Worldwide Appliances at the address on the Warranty Registration Card.

7. Statutory Rights

(a) These terms and conditions do not affect your statutory rights.

(b) The limitations on the Warranty set out in this document do not exclude or limit the application of the consumer guarantees set out in the Act or any other equivalent or corresponding legislation in the relevant jurisdiction where to do so would:

(i) contravene the law of the relevant jurisdiction; or

(ii) cause any part of the Warranty to be void.

(c) Worldwide Appliances excludes indirect or consequential loss of any kind (including, without limitation, loss of use of the artusi product) and (other than expressly provided for in these terms and conditions) subject to all terms, conditions and warranties implied by custom, the general law, the Act or other statute.

(d) The liability of Worldwide Appliances to you

for a breach of any express or non-excludable implied term, condition or warranty is limited at the option of Worldwide Appliances to:

(i) replacing or repairing the defective part of the artusi product;

(ii) paying the cost of replacing or repairing the defective part of the artusi product;

(iii) replacing the artusi product; or

(iv) paying the cost of replacing the artusi product.

(e) Our goods come with guarantees that cannot be excluded under the Australian Consumer Law. You are entitled to a replacement or refund for a major failure and for compensation for any other reasonably foreseeable loss or damage. You are also entitled to have the goods repaired or replaced if the goods fail to be of acceptable quality and the failure does not amount to a major failure.

8. Defects

Any part of an artusi product deemed to be defective and replaced by Worldwide Appliances is the property of Worldwide Appliances. Worldwide Appliances reserves the right to inspect and test artusi products in order to determine the extent of any defect and the validity of a claim under the Warranty.

All warranty service calls must be booked via the customer care department. The team can be contacted on 1 300 85 64 11 option 1 or customercare@eurolinx.com.au

01082016



Warranty Card tear off

WARRANTY REGISTRATION CARD
01052016

Please complete and send to ARTUSI at: REPLY PAID 83617
LEICHHARDT NSW 2040

Last Name:		First Name:	
Address:			
State:	Postcode:	Email:	
Home Phone:		Mobile:	
Purchase Date: / /		(Please attach proof of purchase to validate warranty)	

MODEL NUMBER	SERIAL NUMBER (if you cannot locate the serial number please call ARTUSI on 1300 856 411)
1	
2	
3	
4	

01082016

Warranty Card

artusi.com.au



Worldwide Appliances Pty Limited

A.B.N. 45868077422

Distributed by Eurolinx Pty Ltd

Office:

48-50 Moore Street, Leichhardt N.S.W 2040

Post:

Locked Bag 3000, Annandale, N.S.W 2038

P: 1300 694 583

WARRANTY REGISTRATION

Your ongoing satisfaction with your artusi product is important to us. We ask that you complete the enclosed Warranty Registration Card and return it to us so that we have a record of the artusi product purchased by you.

PRIVACY

Worldwide Appliances respects your privacy and is committed to handling your personal information in accordance with the National Privacy Principles and the Privacy Act 1988 (Cth). A copy of the Worldwide Appliances Privacy Policy is available at www.artusi.com.au. Worldwide Appliances will not disclose any personal information set out in the Warranty Registration Card ("Personal Information") without your consent unless required by:

1. law;
2. any Worldwide Appliances related company;
3. any service provider which provide services to artusi or assist artusi in providing services (including repair and warranty services) to customers. Our purpose in collecting the Personal Information is

to keep a record of the artusi product purchased by you, in order to provide a better warranty service to you in the unlikely event that there is a problem with your artusi product. Worldwide Appliances may contact you at any one or more of the address, email address or telephone numbers set out in the Warranty Registration Card. Please contact artusi on 1300 694 583 should you not wish to be contacted by Worldwide Appliances.

WARRANTY

1. Warranty

Worldwide Appliances warrants that each artusi product will remain, for a period of either 12 months or 24 months of warranty. All Warranties are valid from the original date of purchase, and warranty claims must be accompanied by the proof of purchase.

24 months warranty products:

All Built-in Appliances – Limited to Ovens, Gas, Induction and Electric Cooktops, and All Rangehoods. Freestanding Cookers – Gas and Electric Models (900mm Width).

Dishwashers – Freestanding, Fully Integrated, Semi Integrated and built-in. All Wine coolers. All Dryers. Freestanding Cookers – Gas and Electric Models in 50cm, 54cm and 60cm Widths
Portable Appliances* – Benchtop Models and Portable Gas Models

2. What is not Covered by the Warranty.

The Warranty does not apply if an artusi product is defective by a factor other than a defect arising in the manufacture of the artusi product, including but not limited to:

- (a) damage through misuse (including failure to maintain, service or use with proper care), neglect, accident or ordinary wear and tear (including deterioration of parts and accessories and glass breakage);
- (b) use for purpose for which the artusi product was not sold or designed;
- (c) use or installation which is not in accordance with any specified instructions for use or installation;
- (d) use or operation after a defect has occurred or been discovered;
- (e) damage through freight, transportation or handling in transit (other than when Worldwide Appliances is responsible);
- (f) damage through exposure to chemicals, dusts, residues, excessive voltage, heat, atmospheric conditions or other forces or environmental factors outside the control of Worldwide Appliances;
- (g) repair, modification or tampering by the purchaser or any person other than Worldwide Appliances, an employee of Worldwide Appliances or an authorised artusi service contractor*;
- (h) use of parts, components or accessories which have not been supplied or specifically approved by artusi.
- (i) damage to surface coatings caused by cleaning or maintenance using products not recommended in the artusi product handbook provided to the purchaser upon purchase of the artusi product;
- (j) damage to the base of an electric oven due to items having been placed on the base of the oven cavity or covering the base, such as aluminium foil (this impedes the transfer of heat from the element to the oven cavity and can result in irreparable damage); or
- (k) damages, dents or other cosmetic imperfections not affecting the performance of the artusi in respect of an artusi product purchased as a "factory second" or from display

The Warranty does not extend to light globes used in artusi products.

3. Domestic Use

Each artusi product is made for domestic use. This Warranty may not extend to artusi products used for commercial purposes.

Continued over...