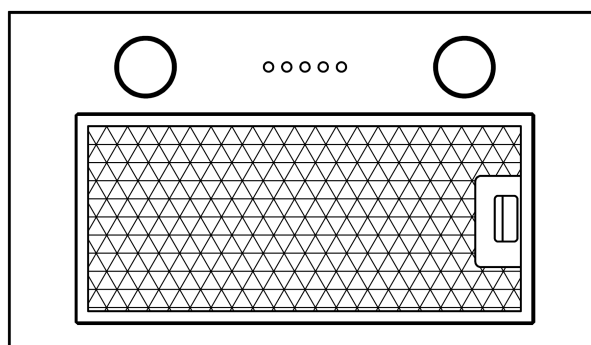


# omega



**Instructions for the Use and Care and Installation of**

**ORU50X**

**Undermount Rangehoods**

**omega. Always serves you well.**

## CONTENTS

- 1) WARNING
- 2) INSTALLATION INSTRUCTIONS
- 3) OPERATION
- 4) LIGHT REPLACEMENT
- 5) CLEANING
- 6) ATTENTION
- 7) TROUBLESHOOTING
- 8) SPECIFICATION

It is important that you retain these instructions, proof of purchase as well as other important documents about this product for future reference.

Due to continual product development, Omega reserves the right to alter specifications or appearances without notice.

Dispose of packaging responsibly – recycle where facilities are available.

## 1. WARNING

- Young children should be supervised to ensure that they do not play with the appliance.
- The appliance is not intended for use by persons (including children) with reduced physical, sensory or mental capabilities, or lack of experience and knowledge, unless they have been given supervised or instruction concerning use of the appliance by a responsible person for their safety.
- Your cooker hood is for domestic use only, not suitable for barbecue, fast -food shops, and other commercial use.
- Any installation work must be carried out by a qualified electrician or competent person.
- The cooker hood and its filter mesh should be cleaned regularly in order to keep in good working order.
- Before cleaning, always ensure that you have switched your cooker hood off.
- Do not flambé under the range hood.
- Clean the cooker hood according to the instruction manual, and keep the cooker hood away from the danger of flames.
- If there is any fault with your cooker hood, please call the customer service number in the Warranty Card.
- Please keep the room adequately ventilated when your cooker hood and gas hob are working.
- Do not exhaust the gas from cooker hood through the same heated flue which is for the gas from gas hob and other kitchen appliances.
- Before installation and usage, read all the instructions and make sure that the voltage (V) and the frequency (Hz) indicated on your cooker hood are exactly the same as the voltage (V) and the frequency (Hz) in your home.
- To ensure that you get the best Warranty experience for your cooker hood, please provide copies of the Warranty Card and purchase receipt, when booking warranty work with the Customer Service department.

## 2. INSTALLATION

Please ensure that before installing the range hood, that all power is switched off. Installation must be in accordance to the local electrical authority and codes. This range hood must be earthed at all times for the operators' safety.

The G.P.O. for the range hood should be positioned to enable the user to turn the power off, to enable cleaning and any maintenance required.

Ensure that when installing the range hood, that it is protected from any possible damage from tools etc.

Ducting for this unit must be installed in accordance to the local authority. Ensure that the fixings used for this range hood are suitable.

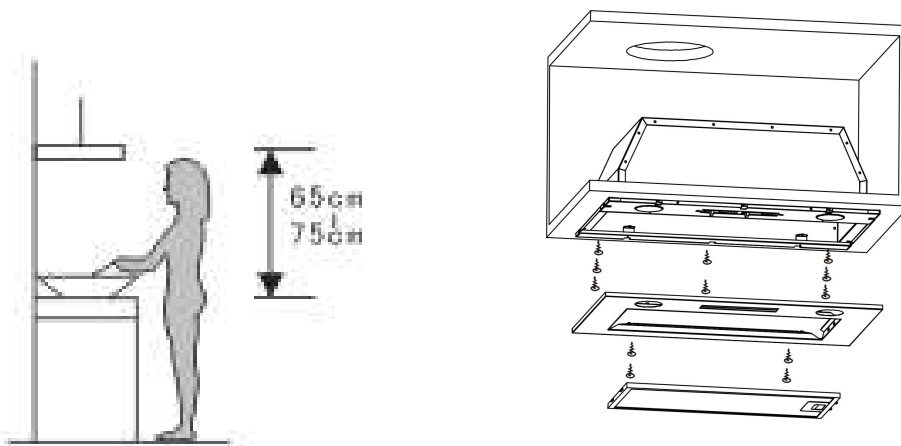
Check the area where the range hood is to be fitted, to ensure that it is structurally sound.

Before using the appliance, remove the plastic coatings protecting the stainless steel finish.

**Ensure that the wall is structurally sound, and is capable of carrying the weight of the range hood.**

**It is recommended that the dimension be checked on the range hood before installing.**

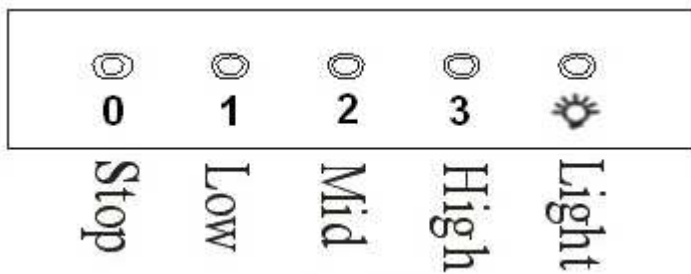
1. The cooker hood should be placed at a distance of 65-75cm (26-30inch) from the cooking surface for the best effect.
2. Drill a hole in the cupboard, 490\*265(mm) for model ORU50X. Make sure the distance between the edge of the hole and the edge of the cupboard edge is at least 35mm. Take down the filter and remove the
3. four screws on the panel.
4. Use random accessory tighten screws fix the hood into cabinet.
5. Use 4 screws fix the panel into body and equip the filter.
6. Install one-way valve: put the one-way valve into air outlet, Put on the one-way valve with air outlet.



### 3. OPERATION:

Note: Before the unit can be operated, it must be ducted.

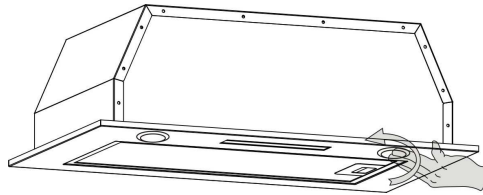
1. Connect the plug into the power.
2. Push 'Stop' button, the motor will stop.
3. Push the 'Low' button, the motor runs at low speed.
4. Push the 'Mid' button, the motor runs at mid speed.
5. Push the 'High' button, the motor runs at high speed.
6. Push the 'Light' button and the two lights will be on. Push it again and the light will turn off.



If your range hood does not function correctly when attempting any of the above, please ensure that your power is on and is functioning correctly. If the power seems to be functioning correctly in the house, there may be a problem with the range hood. Please call your authorised Omega service centre in this case to organise a service call.

## 4. LIGHT REPLACEMENT

1. Switch the unit off and disconnect from mains power first.
2. Remove filter and read labels regarding maximum lamp ratings.
3. Press the light face and remove by turning in anti-clockwise direction.
4. Pull out the halogen light bulb carefully and replace by same type and same rated halogen light bulb (12V 40W MAX).



## 5. CLEANING

### SAFETY PRECAUTION

Before cleaning your range hood or performing any maintenance, please ensure that the range hood is turned off at the power point.

Do not use abrasive cleaners to clean the range hood. The use of warm soapy water and a cloth are recommended.

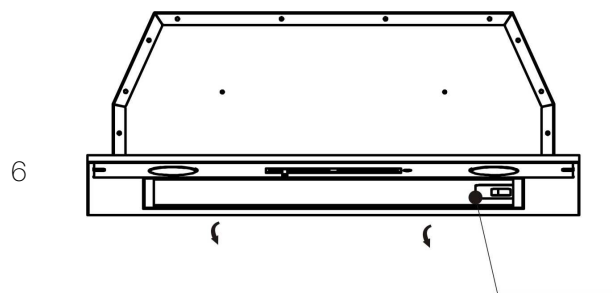
Ensure that the range hood is cleaned regularly, as a build up of grease and fat may occur otherwise.

The filters on the range hood must be cleaned regularly to maintain efficiency, and prevent grease build up.

It is recommended that this is undertaken every 4 – 6 weeks, depending on frequency of use.

The filters can be cleaned with warm soapy water or a cloth, or they may be washed in a dishwasher. If washed in a dishwasher, discolouration may occur to the mesh and frame.

Cleaning of the range hood must be performed as described above, otherwise there is a possibility of a fire hazard due to grease and fat build up.



## 6. ATTENTION

- Rangehood uses 220-240V 50Hz power;
- Disconnect the power when you clean the rangehood;
- Do not detach the filter surround
- If the power cord or plug is damaged, contact service center

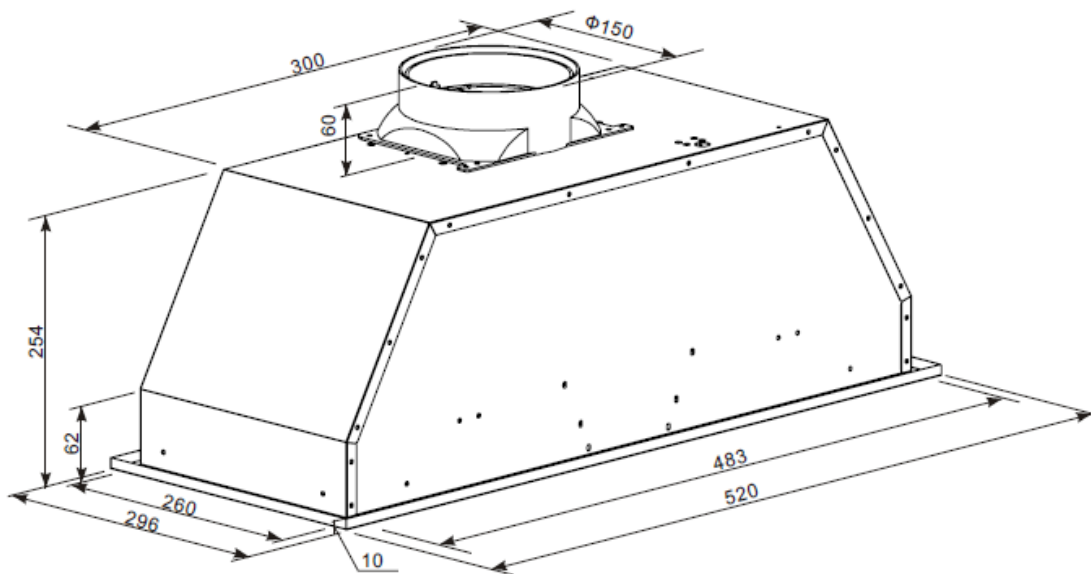
## 7. TROUBLESHOOTING

Fault	Cause	Solution
Light does not work, but motor works	The lamp may damaged	Replace lamp
	Light panel switch is damaged	Contact service
Light works, but motor does not work	Motor bearings damaged	Contact Service
	Motor burn out	Contact Service
Light does not work, motor does not work	Plug contact outlet is damaged	Contact Service
	Power wire cut off	Contact service
	Switch damaged	Contact Service
Shake of the body	Fan is damaged	Contact service
	Motor screw loose	Contact service
	Combination screw loose	Contact service
Insufficient suction	The distance between the body and the cooktop is too high	Readjust the distance
	Cross-ventilation too strong or too closed in the kitchen	Reduce cross-ventilation or open the window
	Exhaust pipe too long	Adjust the length of pipe
	Air outlet valve not open	Check the valve if flexible
	The outside wind is too strong	No the technical problem

For Omega service contact: 1300 739 033

## 8. SPECIFICATION

Voltage	220V-240V~/50Hz
Rated motor input power	190W
Illumination	≤ 40W+40W(GU-10 base halogen)
Rated input power	270W
Airflow	667m <sup>3</sup> /hr
Outlet diameter	150mm



Omega products are distributed in Australia  
by Shriro Australia Pty Ltd. Locked Bag  
5002, Kingsgrove NSW 2208 Phone: 1300  
795 572 Fax: (02) 9415 5525 Email:  
service@shriro.com.au  
Web: [www.omegaappliances.com.au](http://www.omegaappliances.com.au)