



DOUBLE TIER EGG COOKER

Instruction Manual and Recipe Guide

CUECE HUEVOS DE DOS NIVELES

Manual de instrucciones y guía de recetas

WWW.BELLAHOUSEWARES.COM

Register your product and get support • Registrar y obtener asistencia de su producto



THANK YOU

for your purchase

REGISTER
AND SIGN UP



for special announcements and trendy recipes!

TELL US WHAT
YOU THINK!



Rate, review or ask us a question.

GO TO: bellahousewares.com

#myBELLAlife



BellaLifestyle



BellaLife





Table Of Contents

Important Safeguards.....	2
Additional Important Safeguards.....	3
WARNING! Food Safety Hazard.....	3
Notes On The Plug.....	3
Notes On The Cord.....	4
Plasticizer Warning.....	4
Electric Power.....	4
Getting To Know Your Egg Cooker	4
Before Using For The First Time	5
Before Using for the First Time	5
Operating Instructions.....	5
Boiled Eggs	6
Poached Eggs & Omelettes.....	6
User Maintenance Instructions	6
Cleaning Instructions	7
Storing Instructions.....	7
Recipes.....	8-11
Warranty	12

Índice

Medidas de seguridad importantes.....	13
Otras medidas de seguridad importantes	14
¡ADVERTENCIA! Riesgos a la seguridad alimentaria. Pautas de la FDA sugeridas.....	14
Notas sobre el enchufe.....	15
Notas sobre el cable.....	15
Advertencia sobre el plastificante	15
Corriente eléctrica.....	15
Conozca su cuece de huevos.....	16
Antes del primer uso.....	16
Cuece huevo de dos niveles.....	17
Instrucciones de uso.....	18
Huevos hervidos.....	18
Huevos escalfados y omeletes.....	18-19
Instrucciones de mantenimiento para el usuario	19
Instrucciones de limpieza.....	19
Instrucciones de guardado.....	19
Recetas.....	20-24
Garantía.....	25



IMPORTANT SAFEGUARDS

WARNING: When using electrical appliances, basic safety precautions should always be followed, including the following:

1. **READ ALL INSTRUCTIONS BEFORE USING APPLIANCE.**
2. Do not touch hot surfaces. Use handles or knobs. Use potholders when removing lid or handling hot containers.
3. To protect against electrical shock do not immerse cord, plugs, or appliance in water or other liquid.
4. This appliance is not intended for use by persons (including children) with reduced physical, sensory or mental capabilities, or lack of experience and knowledge, unless they have been given supervision or instruction concerning use of the appliance by a person responsible for their safety.
5. Close supervision is necessary when any appliance is used by or near children.
6. Unplug from outlet when not in use and before cleaning. Allow to cool before putting on or taking off parts.
7. Do not operate any appliance with a damaged cord or plug or after the appliance malfunctions, or has been damaged in any manner. Bring it to a qualified technician for examination, repair or for electrical or mechanical adjustment.
8. The use of accessory attachments not recommended by the appliance manufacturer may cause injuries.
9. Do not use outdoors.
10. Do not let cord hang over edge of table or counter, or touch hot surfaces.
11. Do not place on or near a hot gas or electric burner, or in a heated oven.
12. Extreme caution must be used when moving an appliance containing hot oil or other hot liquids.

CAUTION: To protect against damage or electric shock, do not cook in the base. Cook fresh, whole eggs only in the boiling racks provided.

NOTE: Never operate Egg Cooker without water in the reservoir, or use a liquid other than water for cooking purposes as this may damage the unit.

13. To disconnect, press the ON/OFF (I/O) button, then remove plug from outlet.
14. Do not use appliance for other than intended use.

WARNING: Escaping steam. Use caution. Do not place face near steam vents.

WARNING: To avoid scalding, lift to open lid carefully and allow water to drip into the water reservoir.

CAUTION: The piercing pin on the underside of the water measuring cup is very sharp. Use extreme caution when handling.

FOR HOUSEHOLD USE ONLY SAVE THESE INSTRUCTIONS

ADDITIONAL IMPORTANT SAFEGUARDS

CAUTION HOT SURFACES: This appliance generates heat and escaping steam during use. Proper precautions must be taken to prevent the risk of burns, fires or other injury to persons or damage to property.

1. A person who has not read and understood all operating and safety instructions is not qualified to operate this appliance. All users of this appliance must read and understand this instruction manual before operating or cleaning this appliance.
2. If this appliance falls or accidentally becomes immersed in water, unplug it from the wall outlet immediately. Do not reach into the water!
3. Do not leave this appliance unattended during use.
4. If this appliance begins to malfunction during use, immediately unplug the cord. Do not use or attempt to repair a malfunctioning appliance!
5. The cord to this appliance should be plugged into a 120V AC electrical wall outlet.
6. Do not use this appliance in an unstable position.

CAUTION: To protect against damage or electric shock, do not cook in the base.

WARNING! FOOD SAFETY HAZARD

FDA GUIDELINES SUGGEST:

- Consuming raw or undercooked eggs may increase your risk of foodborne illness.
- Thorough cooking is perhaps the most important step in making sure eggs are safe. Cook eggs until both the yolk and the white are firm. Scrambled eggs should not be runny.
- Foods containing eggs should be cooked to 160°F (72°C). Always use a food thermometer to test.
- For recipes that call for raw or undercooked eggs, use pasteurized or fresh organic eggs.

NOTES ON THE PLUG

This appliance has a polarized plug (one blade is wider than the other). To reduce the risk of electric shock, this plug will fit in a polarized outlet only one way. If the plug does not fit fully into the outlet, reverse the plug. If it still does not fit, contact a qualified electrician. Do not modify the plug in any way.

NOTES ON THE CORD

- A. A short power-supply cord (or detachable power-supply cord) is to be provided to reduce the risk resulting from becoming entangled in or tripping over a longer cord.
- B. Longer detachable power-supply cords or extension cords are available and may be used if care is exercised in their use.
- C. If a long detachable power-supply cord or extension cord is used:
 1. The marked electrical rating of the cord or extension cord should be at least as great as the electrical rating of the appliance;
 2. If the appliance is of the grounded type, the extension cord should be a grounding-type 3-wire cord; and
 3. The longer cord should be arranged so that it will not drape over the counter top or table top where it can be pulled on by children or tripped over.

PLASTICIZER WARNING

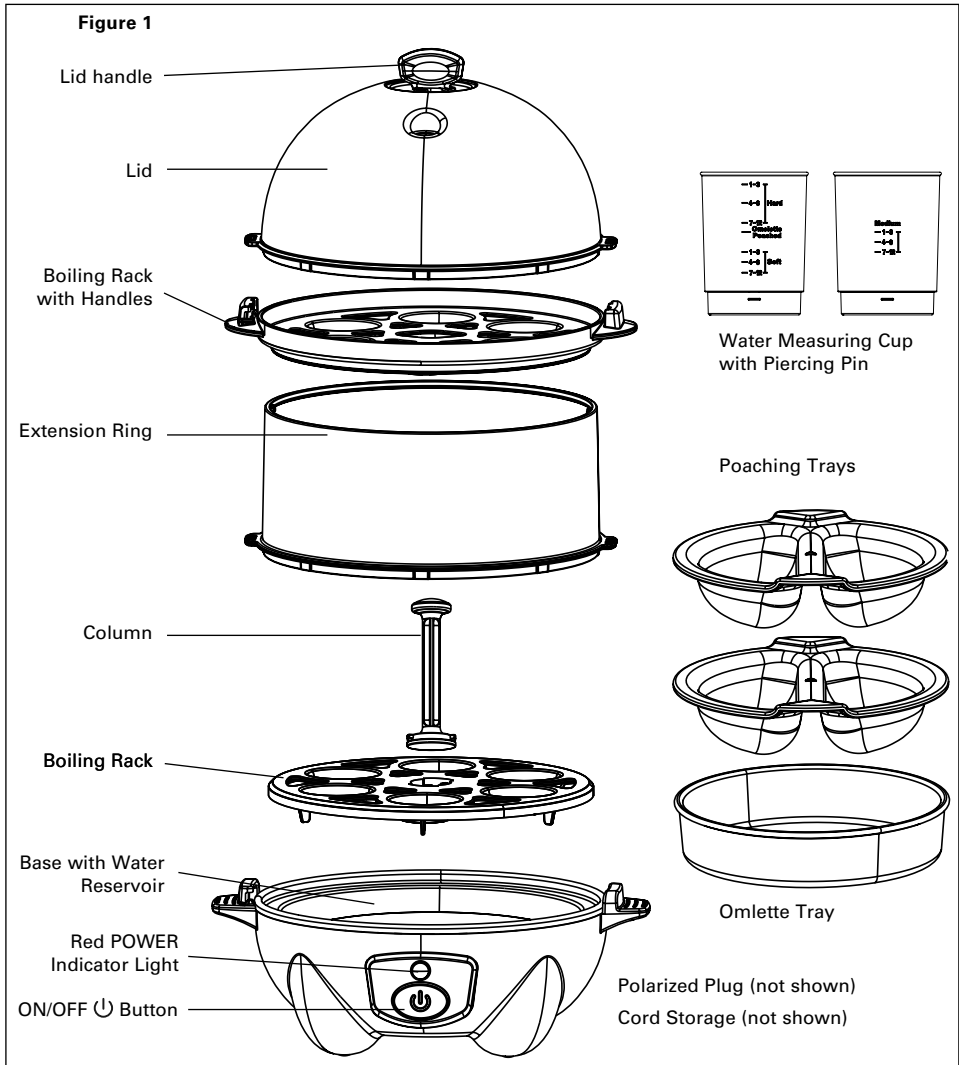
CAUTION: To prevent Plasticizers from migrating to the finish of the counter top or table top or other furniture, place NON-PLASTIC coasters or place mats between the appliance and the finish of the counter top or table top. Failure to do so may cause the finish to darken; permanent blemishes may occur or stains can appear.

ELECTRIC POWER

If the electrical circuit is overloaded with other appliances, your appliance may not operate properly. It should be operated on a separate electrical circuit from other appliances.

Getting to Know Your Egg Cooker

Product may vary slightly from illustration



Before Using for the First Time

1. Carefully unpack all parts of your Egg Cooker. Set the base aside.
2. Wash lid, extension ring, boiling rack, poaching tray, omelette tray and water measuring cup in warm, soapy water. Rinse and dry thoroughly.
CAUTION: The piercing pin on the underside of the water measuring cup is very sharp. Use extreme caution when handling.
3. Wipe the base's water reservoir with a damp, non-abrasive cloth.

Double Tier Egg Cooker Assembly

Only 1 tier is necessary to boil between 1- 6 eggs, poach 1-2 eggs or prepare an omelet.

To assembly 1 tier:

1. Place the egg cooker on a flat surface
2. Add water with the measuring cup following the instructions in the section Operating Instructions
3. Center the boiling rack on top of the base
4. If you want to prepare poached eggs or an omelet, rest the respective tray on top of the boiling rack
5. After adding the desired number of eggs to cook, close with the lid. (See Figure 2)

To assembly 2 tiers:

2 tiers are necessary to boil between 7-12 eggs, poach 3-4 eggs or a combination of boiled/ poached eggs and an omelet at the same time.

1. Place the egg cooker on a flat surface
2. Add water with the measuring cup following the instructions in the section Operating Instructions
3. If you want to boil eggs, add the column to the boiling rack so you can manipulate this rack after cooking. Center the boiling rack on top of the base
4. If you want to poach eggs or prepare an omelet on the lower level, don't use the column and just center the boiling rack on top of the base and rest the respective tray on top of the boiling rack
5. Add the extension ring on the base
6. Place the second rack with handles and proceed to add more eggs to boil or rest the respective tray to poach or prepare omelets
7. After putting desired number of eggs to cook in the tray, close with the lid. (See Figure 3)

Operating Instructions

Important!

1. **ONLY USE COLD EGGS.** Eggs may be overcooked if they are not refrigerated until use.
2. Store eggs in their carton to assure freshness and to keep the yolks centered.
3. This Egg Cooker works best for **large** sized eggs. It may be necessary to adjust the amount the of water for other sizes.
4. Always use **cold** water, preferably distilled or filtered to reduce mineral deposits.
5. Boiled eggs in their shells, may be kept refrigerated for up to 5 days.

Figure 2

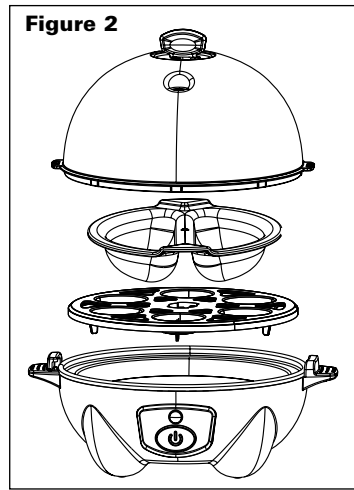
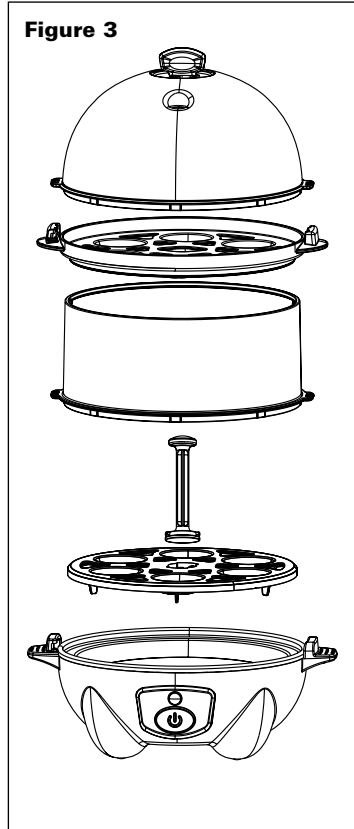


Figure 3



Boiled Eggs

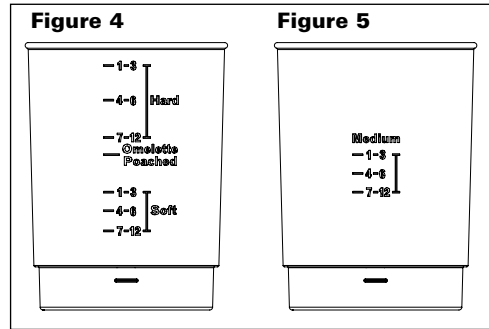
1. Place the Egg Cooker on a flat, clean surface.
2. Using the water measuring cup, add cold water, preferably distilled or filtered, to the designated SOFT, MEDIUM or HARD boiled mark and to the mark based on the number of eggs you are cooking (See Figure 4 and 5); then pour into the base's water reservoir.

NOTE: Always use cold water.

3. Center the boiling rack on top of the base.
4. To avoid broken boiled eggs, wash eggs first, then pierce eggs using the pin on the underside of the water measuring cup.

NOTE: Eggs will cook perfectly with or without piercing.



5. Place up to 12 eggs in the boiling racks, pierced side up. Add the lid.
6. Plug cord into a 120V AC outlet.
7. Press the ON/OFF \cup Button to turn the Egg Cooker ON. The water will begin to heat and boil.
IMPORTANT: To ensure proper doneness, eggs must be LARGE sized and COLD out of the refrigerator.
8. When the eggs are cooked and the water has evaporated, the egg cooker READY indicator light will turn off indicating that the cooking process has finished.
9. Once cooking is finished, press the ON/OFF \cup button to turn the egg cooker OFF. Then remove the plug from wall outlet.
10. Immediately lift lid carefully to avoid scalding, and allow water to drip into the water reservoir.
11. Using protective oven mitts or pot holders, use the side handles to carefully lift the upper level boiling rack up and off the base. Wearing mitts remove the middle shell and use the central column to lift the boiling rack from lower level. Rinse boiled eggs with cold water or place in an ice bath to stop cooking. Eggs can be peeled when they are cool enough to handle. **CAUTION:** The unit and the escaping steam can cause burns or injuries. Precaution must be taken when the unit is in operation or just done cooking.
IMPORTANT: Unused shell-on boiled eggs may be refrigerated and used for up to 5 days.
12. To cook additional eggs repeat step 2 - 11.
13. To serve soft or medium-cooked eggs out of their shell, use a knife to break the shell across the top. Use a small teaspoon to enjoy the egg directly from the shell, or use toast strips to dip into the soft yolk.



ml	Fl Oz	Eggs	Cooking level
120	4	1-3	Hard
100	3 1/2	4-6	
80	2 3/4	7-12	
70	2 1/4	1-3	Medium
60	2	4-6	
50	1 3/4	7-12	
50	1 3/4	1-3	Soft
40	1 1/2	4-6	
30	1	7-12	

Poached Eggs & Omelettes

1. Using the water measuring cup, add cold water, preferably distilled or filtered, to the POACHED/ OMELETTE mark (See Figure 4); then pour into the base's water reservoir.
NOTE: Always use cold water.
2. Center boiling rack on top of the base. Rest the poaching trays on top of the boiling rack. (See Figure 2.)
3. Poach up to 4 eggs in the Poaching trays or prepare an omelette in the Omelette tray
4. **Poached Eggs:** Crack one egg at a time to add to each poaching section. If you want to prepare only 2 poached eggs use the lower level placing the boiling rack then the poaching tray and cover with lid. If you want to prepare 4 poached eggs at the same time; use the boiling rack then the poaching tray and add the middle shell, repeat on upper level and cover.

5. **Omelettes:** Whisk eggs, one at a time with your favorite add-ins: grated or shredded cheese, small diced tomatoes, sausage crumbles, bacon bits, any small diced cooked vegetables to the omelette tray. **DO NOT OVERFILL!**
6. Plug cord into a 120V AC outlet.
7. Press the ON/OFF  Button to turn the Egg Cooker ON. The water will begin to heat and boil.
8. When the eggs are cooked and the water has evaporated, the egg cooker READY indicator light will turn off indicating that the cooking process has finished.
9. Once cooking is finished, press the ON/OFF  button to turn the egg cooker OFF. Then remove the plug from wall outlet.
10. Immediately lift lid carefully to avoid scalding, and allow water to drip into the water reservoir.
11. Using protective oven mitts or pot holders, use the top handle to carefully lift the poaching tray up and off the base.
12. Remove poached eggs/omelettes. Serve immediately.

User Maintenance Instructions

This appliance requires little maintenance. It contains no user serviceable parts. Do not try to repair it yourself. Any servicing requiring disassembly other than cleaning, must be performed by a qualified appliance repair technician.

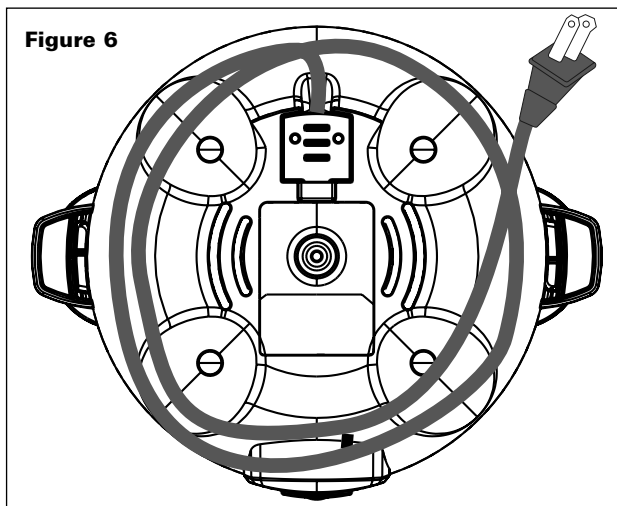
Cleaning Instructions

CAUTION: NEVER IMMERSE BASE UNIT OR CORD IN WATER OR OTHER LIQUID.

1. Always unplug and allow to cool completely before cleaning.
2. All Egg Cooker parts, with the exception of the base, may be cleaned in the top rack of a dishwasher. To clean by hand, wash in warm, soapy water.
CAUTION: THE BASE UNIT IS EXTREMELY HOT AFTER USE. Allow base to cool completely before cleaning.
3. To remove mineral deposits, wipe the base's water reservoir with a paper towel moistened with 1 tablespoon distilled white vinegar. Rinse and dry thoroughly.
4. Wipe the exterior of the base with a soft, slightly damp cloth or sponge. Never use abrasive cleansers or scouring pads to clean the base, as they may damage the surfaces.

Storing Instructions

1. Never store the Egg Cooker while it is hot or wet. Make sure all parts are clean and dry before storing.
2. Store appliance in its box or in a clean, dry place.
3. To store, assemble with parts in place with the lid securely fitted on top.
4. Use the cord wrap on the bottom of the Egg Cooker to store the cord. (See Figure 6.)
5. Do not put any stress on cord where it enters unit, as this could cause cord to fray and break.



Recipes

Classic Deviled Eggs

For a simply elegant presentation, fill a pastry bag with the egg yolk mixture (or a zip lock bag with the corner snipped) and pipe about a tablespoon of the mixture into the well of the egg. Repeat until all the eggs are filled. Experiment with various toppings: salmon roe caviar, scallions, bacon crumbles, chopped olives, sweet pickles, sweet or spicy roasted peppers.

Serves 6

- 6 large eggs, hard boiled
 - 2 tablespoons capers, chopped
 - 1/4 cup mayonnaise
 - 1/4 cup sour cream
 - 2 teaspoons spicy brown mustard
 - 1/4 teaspoon onion powder
 - 1/4 teaspoon Tabasco sauce
 - smoked Spanish paprika, for garnish
1. **Crack egg shells and carefully peel under cool running water. Gently dry with paper towels.**
 2. **Slice hard boiled eggs in half lengthwise. Remove yolks and place in a medium mixing bowl. Place the whites on a deviled egg serving platter.**
 3. **Using a fork, mash egg yolks into a fine crumble. Add the remaining ingredients and mix well.**
 4. **Spoon heaping teaspoons or pipe the yolk mixture into the egg white. Sprinkle with paprika before serving.**

Chicken Cobb Salad with Creamy Basil Blue Cheese Dressing

My family loves a Cobb salad, and this is a wonderful recipe. It makes plain old, shredded iceberg lettuce shine. Bacon, hard boiled eggs, chicken, tomatoes, blue cheese, avocado, green onion and dressing.

Serves 4

Creamy Basil Blue Cheese Dressing

- 1 cup mayonnaise
- 1/2 cup buttermilk
- 1/2 cup sour cream
- 3 dashes Worcestershire sauce
- 4 oz. blue cheese, crumbled
- 4 tablespoons chives, chopped
- 4 tablespoons fresh basil, chopped
- 1/4 teaspoon salt
- 1/2 teaspoon freshly ground black pepper, to taste

Chicken

- 2 boneless, skinless chicken breasts, sliced into 8 thin strips
- salt and freshly ground black pepper

Salad

- 3 hearts of romaine lettuce, chopped
 - 4 large eggs, hard boiled
 - 8 slices bacon
 - 1 cup artichoke hearts, quartered
 - 2 vine ripened tomatoes, seeded, chopped
 - 2 ripe avocados, diced
 - 1 red onion, chopped
1. **Prepare the bacon:** Cut bacon into 1-inch strips. Fry bacon in a grill pan or heavy skillet over medium-high heat. Remove bacon and all grease, leaving 1 tablespoon bacon grease in the pan or skillet.
 2. **Prepare the chicken:** Season the chicken, then grill on medium-high heat in the bacon grease for 2 to 3 minutes per side until done. Remove from the pan and set aside to cool.
 3. **For the blue cheese dressing:** In a bowl, whisk together the mayonnaise, buttermilk, sour cream and Worcestershire sauce and mix until smooth. Stir in the blue cheese, chives, basil, salt and pepper. Cover and refrigerate for at least 2 hours before serving to allow the flavors to develop.
 4. **For the salad:** Arrange the chopped lettuce in a large bowl or on a large platter. Add rows of salad ingredients: chopped grilled chicken, chopped or quartered hard boiled eggs, bacon, artichoke hearts, tomatoes, avocados, and chopped red onion.
 5. **Drizzle the Creamy Basil Blue Cheese Dressing over the salad before serving.**

Recipes

Peppadew & Cheese Deviled Eggs

We've spun a southern favorite into an elegant appetizer and kicked it up with peppadew peppers to add a slightly sweet and spicy note.

Serves 6

- 6 large eggs, hard boiled
 - 1/3 cup mayonnaise
 - 1/4 lemon, juiced
 - 1/4 cup chopped peppadew peppers
 - 2 tablespoons shredded cheddar cheese
 - 1-1/2 tablespoon brown spicy mustard
 - Kosher salt, to taste
 - 1/2 teaspoon cayenne pepper, more to taste
1. Crack egg shells and carefully peel under cool running water. Gently dry with paper towels.
 2. Slice hard boiled eggs in half lengthwise. Remove yolks and place in a medium mixing bowl. Place the whites on a deviled egg serving platter.
 3. Using a fork, mash egg yolks into a fine crumble. Add the remaining ingredients and mix well.
 4. Spoon heaping teaspoons or pipe the yolk mixture into the egg white shells. Dust with cayenne before serving.

Loaded Turkey Meatloaf

This old world meatloaf features decorative white and yellow rings running through middle of the slices. This dish was originated in Germany where it has been said that immigrants brought meatloaf with them to Southern Brazil where it was adapted to include a hardboiled egg stuffed inside. In Hungary, Stefania meatloaf is a favorite where a long meatloaf is baked in a loaf pan with hard boiled eggs in the middle.

Meatloaf

- 1 lb. ground turkey, dark meat preferred
- 1 cup onion, chopped finely
- 1 clove of garlic, minced
- 1 bunch fresh parsley, chopped finely
- 2 tablespoons dried oregano
- 2 eggs
- 1/4 cup Italian seasoned breadcrumbs
- 1/3 cup barbeque sauce, as topping

Stuffing

- 2 tablespoons olive oil
- 2 tablespoons chili oil
- 1 cup fresh mushrooms, chopped
- 3 shisito peppers, chopped
- 1/2 onion, sliced
- 1 cup zucchini, grated
- 4 hard boiled eggs

1. **Prepare Meatloaf.** Place all meatloaf ingredients in a large bowl. Mix by hand until combined.
2. **Spread plastic wrap** onto the working surface. Empty meat onto the center of the plastic wrap. Use your hands to press into a square, approximately 13-inches wide x14-inches deep.
3. **Prepare stuffing.** Sauté all ingredients in a large pan until the onions are soft and browned.
4. **Add a layer of the stuffing** over the meat.
5. **Arrange a line of 4 eggs** down the center of the meat and stuffing.
6. **Roll the loaf.** Use the plastic wrap to lift the front of the meat up and over the eggs. Pull the top of the plastic wrap down. Firmly grasp both corners of the back of the wrap and pull the meat up and over the backside of the eggs to form a loaf.
7. **Place in a loaf pan** and discard the plastic wrap. Using a brush or a spoon, spread the barbeque sauce over the top of the loaf.
8. **Bake at 350°F for 25 minutes.** Use a meat thermometer to check for an internal temperature of 170°F - 180°F. Continue cooking for 5 minutes, if needed.

Recipes

Heavenly Devilish Eggs with Shrimp

Yields: 12

- 12 medium shrimps, steamed, tails on
- 6 large eggs, hard boiled
- 1/3 cup mayonnaise
- 2 teaspoons freshly squeezed lemon juice
- 1 teaspoon lemon zest
- 1 teaspoon chili sauce
- 1 teaspoon Siracha hot sauce
- 1 teaspoon prepared horseradish
- 1/2 teaspoon Kosher salt
- sweet paprika, for garnish

1. Crack egg shells and carefully peel under cool running water. Gently dry with paper towels.
2. Slice hard boiled eggs in half lengthwise. Remove yolks and place in a medium mixing bowl. Place the whites on a deviled egg serving platter.
3. Using a fork, mash egg yolks into a fine crumble. Add the remaining ingredients, except the shrimp, to the bowl and mix well.
4. Spoon or pipe heaping teaspoons of the yolk mixture into the egg white shells. Top each deviled egg with a steamed shrimp.
5. Sprinkle with paprika before serving.

Curried Egg Salad

A delightful treat, we served tiny Curried Egg Salad tea sandwiches for the first course of our High Tea. The crunchy radishes added a pop of spicy freshness. This salad is unique and great for any occasion.

Yields: 8 tea sandwiches

- 4 large eggs, hard boiled
- 3 medium radishes, chopped
- 3 tablespoons mayonnaise
- 1 tablespoon plain yogurt
- 2 tablespoons red onion, minced
- 1 tablespoon cilantro, chopped
- 2 teaspoons freshly squeezed lemon juice
- 1/2 teaspoon garlic salt
- 1-1/2 teaspoons curry powder
- 1 teaspoon turmeric
- 4 slices of square sandwich bread

1. Crack egg shells and carefully peel under cool running water. Gently dry with paper towels.
2. Chop hard boiled eggs into small pieces. Add the remaining ingredients and mix well.
3. Adjust seasonings to taste.
4. Divide the mixture in two. Spread each half on one slice of bread and cover with remaining slices. Cut off crusts and slice on the diagonal to make 8 small tea sandwiches.

Salmon Avocado Salad

This is not your typical salmon salad! The nonfat yogurt combined with ripe avocado adds a creamy freshness without the addition of mayo! Eggs add even more flavor, nutrition and protein to this Salmon Avocado Egg Salad.

- 2 (5 oz.) cans salmon
- 4 large hard boiled eggs mashed or diced
- 2 ripe Haas avocados, mashed
- 1/4 cup nonfat plain Greek yogurt
- 2 tablespoons freshly squeezed lemon juice
- 1 teaspoon garlic salt
- 1-1/2 - 2 tablespoons sweet pickle relish
- 1/4 cup chopped green onions
- 2 tablespoons capers, drained
- 1/4 cup fresh dill, chopped
- 1/2 teaspoon smoked or regular paprika
- 1/2 teaspoon onion powder
- 1 teaspoon garlic salt
- 1/2 teaspoon pepper

1. Crack egg shells and carefully peel under cool running water. Gently dry with paper towels.
2. Chop hard boiled eggs into small pieces.
3. Add all ingredients to a large bowl and mix well.

Recipes

Poached Eggs

- 2 large eggs
 - Salt and pepper, for garnish
1. **Using the water measuring cup add cold water into the base's water reservoir.**
 2. **Center boiling rack on top of the base. Rest the poaching tray on top of the boiling rack.**
 3. **Crack one egg at a time to add to each poaching section.**
 4. **Add the lid and Press the ON/OFF Button to turn the Egg Cooker ON.**
 5. **When the eggs are cooked and the water has evaporated, the Egg Cooker red READY indicator light will turn off.**
 6. **Remove poached eggs/omelettes. Sprinkle with salt and pepper before serving.**



Limited TWO-YEAR Warranty

SENSIO Inc. hereby warrants that for a period of **TWO YEARS** from the date of purchase, this product will be free from mechanical defects in material and workmanship, and for 90 days in respect to non-mechanical parts. At its sole discretion, SENSIO Inc. will either repair or replace the product found to be defective, or issue a refund on the product during the warranty period.

The warranty is only valid for the original retail purchaser from the date of initial retail purchase and is not transferable. Keep the original sales receipt, as proof of purchase is required to obtain warranty validation. Retail stores selling this product do not have the right to alter, modify, or in any way revise the terms and conditions of the warranty.

EXCLUSIONS:

The warranty does not cover normal wear of parts or damage resulting from any of the following: negligent use of the product, use of improper voltage or current, improper routine maintenance, use contrary to the operating instructions, disassembly, repair, or alteration by anyone other than qualified SENSIO Inc. personnel. Also, the warranty does not cover Acts of God such as fire, floods, hurricanes, or tornadoes.

SENSIO Inc. shall not be liable for any incidental or consequential damages caused by the breach of any express or implied warranty. Apart from the extent prohibited by applicable law, any implied warranty of merchantability or fitness for a particular purpose is limited in time to the duration of the warranty. Some states, provinces or jurisdictions do not allow the exclusion or limitation of incidental or consequential damages, or limitations on how long an implied warranty lasts, and therefore, the above exclusions or limitations may not apply to you. The warranty covers specific legal rights which may vary by state, province and/or jurisdiction.

HOW TO OBTAIN WARRANTY SERVICE:

You must contact Customer Service at our toll-free number: 1-866-832-4843. A Customer Service Representative will attempt to resolve warranty issues over the phone. If the Customer Service Representative is unable to resolve the problem, you will be provided with a case number and asked to return the product to SENSIO Inc. Attach a tag to the product that includes: your name, address, daytime contact telephone number, case number, and description of the problem. Also, include a copy of the original sales receipt. Carefully package the tagged product with the sales receipt, and send it (with shipping and insurance prepaid) to SENSIO Inc.'s address. SENSIO Inc. shall bear no responsibility or liability for the returned product while in transit to SENSIO Inc.'s Customer Service Center.

MEDIDAS DE SEGURIDAD IMPORTANTES

Quando se usan artefactos eléctricos, se deben siempre seguir las precauciones básicas de seguridad, incluso lo siguiente:

1. **LEA TODAS LAS INSTRUCCIONES.**
2. No toque las superficies calientes. Utilice las asas o los mangos. Use agarraderas cuando toque la tapa o manipule recipientes calientes.
3. Para protegerse del riesgo de descarga eléctrica, no sumerja el cable, el enchufe ni la unidad en agua ni en ningún otro líquido.
4. Este electrodoméstico no debe ser utilizado por personas (incluidos niños) con capacidades físicas, sensoriales o mentales reducidas, o con falta de experiencia y conocimientos, a menos que una persona responsable de su seguridad les haya brindado supervisión o instrucciones sobre el uso de los electrodomésticos.
5. Es necesario supervisar a los niños cuando usen un aparato o si éste se usa cerca de ellos.
6. Desenchufe el electrodoméstico del tomacorriente cuando no esté en uso y antes de limpiarlo. Deje que el aparato se enfríe antes de colocar o sacar piezas.
7. No opere ningún artefacto si el cable está dañado. No use este artefacto si no funciona correctamente, si se cae o si se daña de alguna manera. de una descarga eléctrica, nunca intente reparar la Parrilla de panini usted mismo. Llévelo a un técnico calificado para su examen, reparación o ajuste eléctrico o mecánico.
8. El uso de accesorios no recomendados o vendidos por el fabricante puede causar fuego, descarga eléctrica o lesione.
9. No lo utilice en exteriores.
10. No permita que el cable cuelgue del borde de la mesa o encimera o toque superficies calientes.
11. No coloque el aparato encima de, cerca de o en un quemador eléctrico o de gases calientes, ni dentro una estufa encendida.
12. Se debe tener extrema precaución al mover un aparato que contenga aceite caliente u otros líquidos calientes.
PRECAUCIÓN: Para proteger contra daños o descargas eléctricas, no cocine en la base. Cocine los huevos frescos y enteros solo en las bandejas para cocinar provistas.
NOTA: Nunca ponga en funcionamiento la cocina de huevos sin agua en el tanque, o use un líquido que no sea agua para cocinar, ya que esto podría dañar la unidad.
13. Para desconectar, presione el botón ON/OFF (I/O) button, luego quite el enchufe del tomacorriente.
14. No use el aparato para otro uso que no sea el indicado.
PRECAUCIÓN: El pin de perforación en la parte de debajo de la taza de agua está muy afilado. Tenga mucho cuidado al manipularlo.
¡IMPORTANTE! Coloque la tapa con la salida vapor hacia la parte de atrás para evitar quemaduras durante la cocción.

SOLO PARA EL USO DOMÉSTICO GUARDE ESTAS INSTRUCCIONES

OTRAS MEDIDAS DE SEGURIDAD IMPORTANTE

PRECAUCIÓN, SUPERFICIES CALIENTES: Este aparato emite calor y se escape el vapor durante el uso. Se deben tomar las medidas necesarias para evitar riesgos de quemaduras, incendios u otras lesiones a personas o daños a la propiedad.

1. Un usuario que no haya leído y comprendido todas las instrucciones de funcionamiento y seguridad no está calificado para operar este aparato. Todos los usuarios de este electrodoméstico deben leer y comprender este manual de instrucciones antes de poner en funcionamiento o limpiar el aparato.
2. Si este aparato se cae o se sumerge accidentalmente en el agua, desenchúfelo de inmediato **¡No ponga la mano en el agua!**
3. No deje este aparato desatendido durante el uso.
4. Si este aparato comienza a funcionar mal durante el uso, desenchufe el cable inmediatamente. No utilice ni intente reparar el aparato que funciona mal.
5. El cable de este aparato debe ser enchufado a un tomacorriente de pared de 120V CA.
6. No utilice este aparato en una posición inestable.

PRECAUCIÓN: Para proteger contra daños o descargas eléctricas, no cocine en la base.

¡ADVERTENCIA! Riesgos a la seguridad alimentaria. Pautas de la FDA sugeridas:

- El consumo de huevos crudos o poco cocidos aumenta el riesgo de enfermedades transmitidas por los alimentos.
- La cocción completa es quizás el paso más importante para asegurarse de que los huevos sean seguros. Cocine los huevos hasta que la yema y la clara estén firmes
- Los alimentos que contienen huevos deben ser cocidos a 160°F (72°C). Siempre use un termómetro para alimentos para examinar la cocción.
- Para recetas que requieran huevos crudos o poco cocidos, use huevos orgánicos frescos o pasteurizados.

NOTAS SOBRE EL ENCHUFE

Este aparato tiene un enchufe polarizado (una hoja es más ancha que la otra). Para reducir el riesgo de descarga eléctrica, este enchufe encaja en una toma de corriente polarizada sólo de una manera. Si el enchufe no entra completamente en el tomacorriente, invierta el enchufe. Si el enchufe no puede encajar en la toma eléctrica, póngase en contacto con un electricista calificado. No modifique el enchufe de ninguna manera.

NOTAS SOBRE EL CABLE

- A. Un cable corto de alimentación (o cable de alimentación desmontable) es suministrado para reducir el riesgo de que se enreden o se tropiecen con un cable más largo.
- B. Cables de alimentación más largos y removibles o las alargadoras son disponibles y se pueden utilizarlos si se ejerce cuidado.
- C. Si un cable largo y removible o una alargadora sea usado:
 - 1. La potencia eléctrica marcada del cordón o de la alargadora debe ser, por lo menos, tan fuerte como la potencia eléctrica del aparato;
 - 2. Si el aparato es del tipo con conexión a tierra, el cable o la alargadora debe ser un enchufe de 3 hojas con conexión a tierra.
 - 3. El cordón debe estar dispuesto de manera que no cuelga del borde de la encimera o la mesa donde pueda ser tirado por niños o donde alguien se tropiece involuntariamente con el cable.

ADVERTENCIA SOBRE LOS PLASTIFICANTES

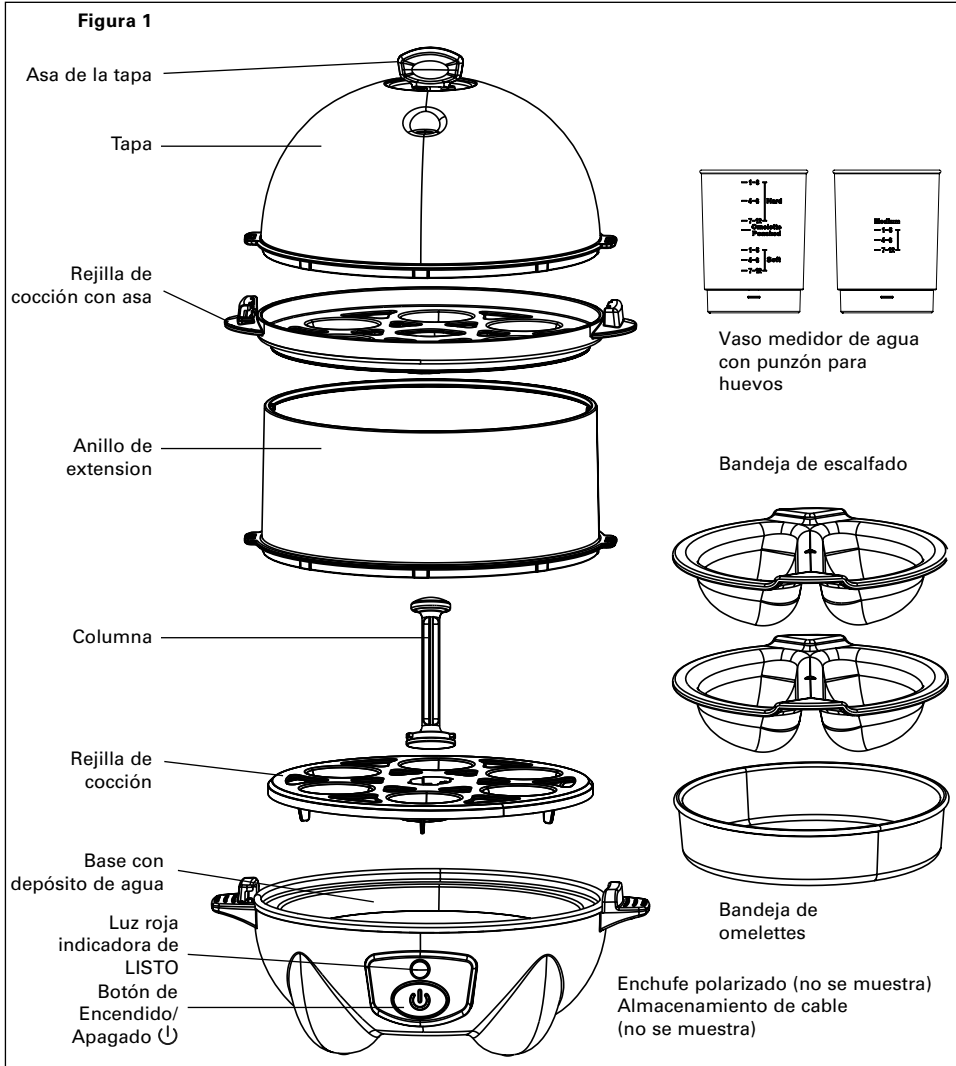
PRECAUCIÓN: A fin de evitar que los plastificantes se adhieran al acabado de la encimera, la mesa u otro mueble, coloque un posafuentes o salvamanteles que **NO SEA DE PLÁSTICO** entre el electrodoméstico y la superficie de la encimera o mesa. Si no se hace esto, es posible que el acabado se oscurezca, se formen marcas permanentes o aparezcan manchas.

CORRIENTE ELÉCTRICA

Si el circuito eléctrico está sobrecargado con otros artefactos, es posible que el electrodoméstico no funcione correctamente. El electrodoméstico debe funcionar en un circuito eléctrico separado de otros aparatos.

Conozca su cuece huevos

El producto puede diferir levemente de las ilustraciones



Antes del primer uso

1. Desembale con cuidado todas las piezas del cuece huevos. Deje la base a un lado.
2. Lave con agua tibia y jabón la tapa, el anillo de extension, la rejilla de cocción, la bandeja de escalfado, la bandeja de Omelettes y el vaso medidor de líquido. Enjuague y seque bien.

PRECAUCIÓN: El punzón para huevos en la parte inferior del vaso medidor de líquido es muy afilado. Tenga mucho cuidado al manipularlo.

3. Limpie el depósito de agua de la base con un paño húmedo no abrasivo.

Cuece huevo de dos niveles

Solo se necesita 1 nivel para hervir entre 1 y 6 huevos, escalfar 1-2 huevos o preparar una tortilla.

Para ensamblar 1 nivel:

1. Coloque la olla para huevos sobre una superficie plana
2. Agregue agua con el vaso medidor siguiendo las instrucciones en la sección Instrucciones de operación.
3. Centre la rejilla para hervir huevos sobre la base
4. Si desea preparar huevos escalfados o una tortilla, apoye la respectiva bandeja sobre la rejilla para hervir huevos.
5. Después de agregar la cantidad deseada de huevos a cocinar, cierre con la tapa. (Ver Figura 2)

Para ensamblar 2 niveles:

Se necesitan 2 niveles para hervir entre 7-12 huevos, escalfar 3-4 huevos o una combinación de huevos hervidos / escalfados y una tortilla al mismo tiempo

1. Coloque la olla para huevos sobre una superficie plana
2. Agregue agua con la el vaso medidor siguiendo las instrucciones en la sección Instrucciones de operación.
3. Si desea hervir los huevos, agregue el columna a la rejilla para hervir huevo, de esta manera podra manipular la rejilla después de cocinar. Centre la rejilla en la parte superior de la base.
4. Si desea escalfar huevos o preparar una tortilla en el nivel inferior, no use el columna y simplemente centre la rejilla para hervir huevos sobre la base y apoye la bandeja respectiva sobre la rejilla.
5. Agregue el anillo de extensión en la base.
6. Coloque la rejilla con asas para hervir huevos y proceda a colocar más huevos o agregue la bandeja respectiva para escalfar o preparar tortillas.
7. Después de poner la cantidad deseada de huevos para cocinar en la bandeja, cierre con la tapa. (Ver Figura 3)

Instrucciones de uso

Importante

1. SOLO UTILICE HUEVOS FRÍOS. Los huevos pueden cocinarse en exceso si no se refrigeran hasta su uso.
2. Guarde los huevos en su caja para asegurar la frescura y para mantener las yemas centradas.
3. El cuece huevos funciona mejor con huevos de tamaño **grande**. Para otros tamaños, es posible que se deba ajustar la cantidad de agua.
4. Siempre use agua **fría**, preferiblemente destilada o filtrada para reducir los depósitos minerales.
5. Los huevos hervidos con cáscara se pueden mantener refrigerados hasta 5 días.

Huevos hervidos

1. Coloque el cuece huevos sobre una superficie plana y limpia.
2. Agregue agua fría con el vaso medidor de agua, preferiblemente destilada o filtrada, hasta la marca de hervido deseada SUAVE, MEDIO o DURO; y la marca basada en el número de huevos que está cocinando (consulte la Figura 4) luego viértala en el depósito de agua de la base. NOTA: Siempre use agua fría.
3. Centre la rejilla de cocción en la parte superior de la base.

Figura 2

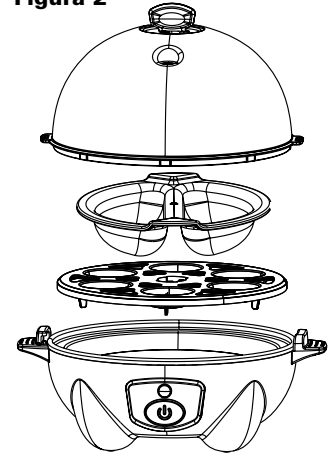
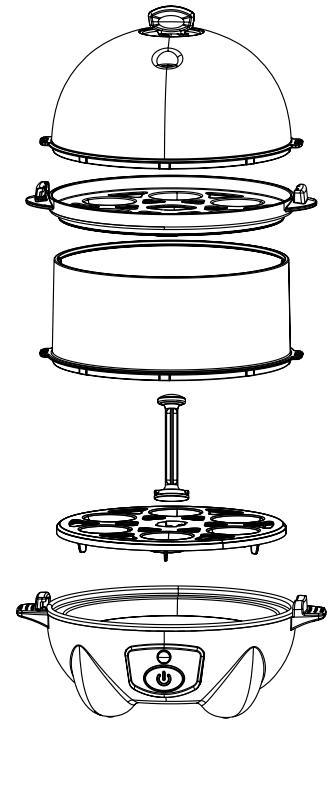


Figura 3





- Para evitar que se rompan los huevos hervidos, primero lave los huevos y luego perfórelos con el punzón en la parte inferior del vaso medidor de líquido.

NOTA: Los huevos se cocinarán perfectamente con o sin perforado.

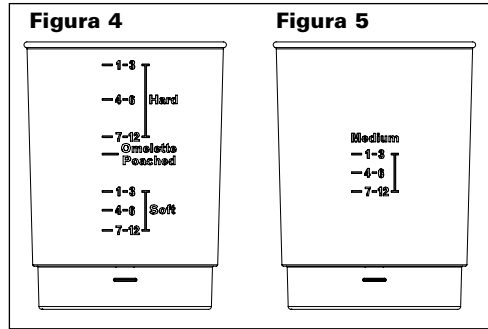
- Coloque hasta 12 huevos en las rejillas de cocción, con el lado perforado hacia arriba. Coloque la tapa.
- Enchufe el cable en una toma de corriente de 120 V CA.
- Presione el botón de encendido/apagado para encender el cecue huevos. El agua comenzará a calentarse y luego a hervir.

IMPORTANTE: Para garantizar una cocción adecuada, los huevos deben ser GRANDES y estar FRIOS, recién sacados del refrigerador.

- Cuando los huevos estén cocidos y el agua se haya evaporado, la luz de listo (READY) se apagará indicando que la cocción ha terminado.
- Una vez finalizada la cocción, pulse el botón encendido/apagado (ON/OFF) para apagar la olla cecue huevos. Luego retire el enchufe de la toma de corriente.
- Inmediatamente levante la tapa con cuidado para evitar quemaduras y deje que el agua gotee sobre el depósito.
- Tome las asas laterales con manoplas o agarraderas protectoras para levantar con cuidado la rejilla de cocción y retirarla de la base. Enjuague los huevos hervidos con agua fría o colóquelos en agua con hielo para detener la cocción. Los huevos se pueden pelar cuando estén lo suficientemente fríos como para manipularlos. **PRECAUCIÓN:** La unidad y el vapor que escapa pueden causar quemaduras o lesiones. Tenga precaución cuando la unidad está en funcionamiento o acaba de cocinar

IMPORTANTE: Los huevos hervidos con cáscara sobrantes pueden refrigerarse y usarse hasta 5 días después.

- Para cocinar huevos adicionales, repita los pasos 2-11
- Para servir los huevos pasados por agua o mollet sin cáscara, use un cuchillo para romper la parte superior de la cáscara. Use una cuchara pequeña para disfrutar el huevo directamente de la cáscara o use tiritas de pan tostado para sumergirlas en la yema blanda.



ml	Fl Oz	Huevos	Nivel de cocción
120	4	1-3	Duro
100	3 1/2	4-6	
80	2 3/4	7-12	
70	2 1/4	1-3	Medio
60	2	4-6	
50	1 3/4	7-12	
50	1 3/4	1-3	Suave
40	1 1/2	4-6	
30	1	7-12	

Huevos escalfados y omeletes

- Agregue agua fría con el vaso medidor de agua, preferiblemente destilada o filtrada, hasta la marca de ESCALFADO/OMELET (consulte la Figura 4); luego viértala en el depósito de agua de la base. **NOTA:** Siempre use agua fría.
- Centre la rejilla de cocción en la parte superior de la base. Coloque la bandeja de escalfado sobre la rejilla de cocción. (Consulte la Figura 2).
- Escalfe hasta 4 huevos o prepare un omelette de varios huevos en la bandeja de Omellete.
- Huevos escalfados:** Rompa un huevo por vez para agregarlos en cada sección de escalfado. Si desea preparar solo 2 huevos escalfados utilice el nivel inferior colocando la rejilla de coccion y encima la bandeja de escalfado y tape. Si desea preparar 4 huevos escalfados al mismo tiempo, utilice la rejilla de coccion y encima la bandeja de escalfado, luego agregue el anillo de extension y repita en el nivel superior y tape.



5. **Omeletes:** Bata los huevos, uno por vez, junto con sus ingredientes favoritos: queso rallado o triturado, cubitos pequeños de tomates, pedacitos de salchichas, trozos de tocino o cualquier verdura cocida cortada en cubitos, ¡incluso sobras de alimentos! Agregue los ingredientes cuidadosamente la bandeja de omelette. ¡NO LAS LLENE DEMASIADO!
6. Enchufe el cable en una toma de corriente de 120 V CA.
7. Presione el botón de encendido/apagado para encender el cuece huevos. El agua comenzará a calentarse y luego a hervir.
8. Cuando los huevos estén cocidos y el agua se haya evaporado, la luz de listo (READY) se apagará indicando que la cocción ha terminado.
9. Una vez finalizada la cocción, pulse el botón encendido/apagado (ON/OFF) para apagar la olla cuece huevos. Luego retire el enchufe de la toma de corriente.
10. Inmediatamente levante la tapa con cuidado para evitar quemaduras y deje que el agua gotee sobre el depósito.
11. Tome el asa de la tapa con manoplas o agarraderas protectoras para levantar con cuidado la bandeja de escalfado y retirarla de la base.
12. Retire los huevos escalfados u omeletes y sívalos inmediatamente.

Instrucciones de mantenimiento para el usuario

Este electrodoméstico necesita poco mantenimiento. No contiene piezas que el usuario pueda reparar. No intente repararlo usted mismo. Cualquier mantenimiento que requiera el desarmado, aparte de la limpieza, debe ser realizado por un técnico de reparación de electrodomésticos calificado.

Instrucciones de limpieza

PRECAUCIÓN: NUNCA SUMERJA LA BASE DE LA UNIDAD O EL CABLE EN AGUA U OTRO LÍQUIDO.

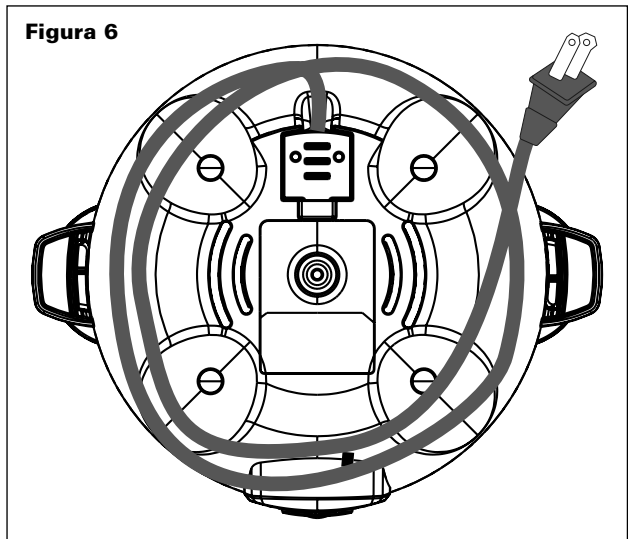
1. Antes de limpiar, siempre desenchúfela y deje que se enfríe completamente.
2. Todas las piezas del cuece huevos, a excepción de la base, se pueden limpiar en la rejilla superior del lavaplatos. Para limpiarlas a mano, lávelas con agua tibia y jabón.

PRECAUCIÓN: DESPUÉS DEL USO, LA BASE DE LA UNIDAD ESTARÁ EXTREMADAMENTE CALIENTE. Deje que la base se enfríe completamente antes de limpiarla.

3. Para eliminar los depósitos minerales, limpie el depósito de agua de la base con una toalla de papel humedecida con 1 cucharada de vinagre blanco destilado. Enjuague y seque bien.
4. Limpie el exterior de la base con un paño o esponja suave y ligeramente húmeda. Nunca use limpiadores o estropajos abrasivos para limpiar la base, ya que se pueden dañar las superficies.

Instrucciones de guardado

1. Nunca guarde el cuece huevos mientras esté caliente o húmedo. Asegúrese de que todas las piezas estén limpias y secas antes de guardarlo.
2. Guarde el electrodoméstico en su caja o en un lugar
3. Para guardar, arme colocando las piezas en su lugar y sitúe la tapa en la parte superior de modo que quede firme.
4. Use el enrollador de cable en la parte inferior del cuece huevos para guardar el cable. (Consulte la Figura 6).
5. No ejerza presión en el cable en la zona donde ingresa a la unidad, ya que esto podría hacer que el cable se rasgue y se rompa.



Recetas

Huevos endiablados clásicos

Para una presentación elegante, llene una manga pastelera con la mezcla de yema de huevo (o una bolsa con un zipper con la esquina cortada) y pase una cucharada de la mezcla al centro del huevo. Repita hasta que todos los huevos estén llenos. Experimente con varias coberturas: caviar de salmón, cebolletas, migas de tocino, aceitunas picadas, pepinillos, pimientos asados o dulces.

Porciones para 6

- 6 huevos grandes, duros
 - 2 cucharadas de alcaparras, picadas
 - 1/4 taza de mayonesa
 - 1/4 taza de crema agria
 - 2 cucharaditas de mostaza marrón picante
 - 1/4 cucharadita de cebolla en polvo
 - 1/4 cucharadita de salsa tabasco
 - paprika ahumada, para aderezar
1. **Rompa las cáscaras de huevo y pélelas cuidadosamente con agua fría. Seque suavemente con toallas de papel**
 2. **Corte los huevos duros por la mitad a lo largo. Retire las yemas y colóquelas en un tazón. Coloque las claras en un platón de huevos endiablados.**
 3. **Con un tenedor, haga un puré de yemas de huevo para hacer una mezcla fina. Agregue los ingredientes restantes y mezcle bien.**
 4. **Con una cuchara coloque cucharadas o coloque la mezcla de yema en las cáscaras de huevo. Espolvoree con paprika antes de servir.**

Huevos endiablados con queso y Peppadew

Hemos convertido un favorito del sur en un aperitivo elegante y lo hemos incluido pimientos de peppadew para añadir un sabor ligeramente dulce y picante.

Porciones para 6

- 6 huevos grandes, duros
 - 1/3 taza de mayonesa
 - 1/4 de jugo de limón
 - 1/4 taza de pimientos picados Peppadew
 - 2 cucharadas de queso cheddar rallado
 - 1-1 / 2 cucharada de mostaza marrón picante
 - Sal kosher, al gusto.
 - 1/2 cucharadita de pimienta de cayena, más al gusto
1. **Rompa las cáscaras de huevo y pélelas cuidadosamente con agua fría. Seque suavemente con toallas de papel.**
 2. **Corte los huevos duros por la mitad a lo largo. Retire las yemas y colóquelas en un tazón. Coloque las claras en un platón de huevos endiablados.**
 3. **Con un tenedor, haga un puré de yemas de huevo para hacer una mezcla fina. Agregue los ingredientes restantes y mezcle bien.**
 4. **Con una cuchara coloque cucharadas o coloque la mezcla de yema en las cáscaras de huevo. Espolvoree con cayena antes de servir.**

Recetas

Ensalada de pollo Cobb con aderezo cremoso de albahaca y queso azul

A mi familia le encanta la ensalada Cobb, y esta es una receta maravillosa. Hace brillar la lechuga clásica. Tocino, huevos duros, pollo, tomate, queso azul, aguacate, cebolla verde y aderezo.

Porciones para 4

Aderezo cremoso de albahaca y queso azul

- 1 taza de mayonesa
- 1/2 taza de suero de leche
- 1/2 taza de crema agria
- Salsa Worcester (3 pizcas)
- 4 onzas. queso azul, desmenuzado
- 4 cucharadas de cebollino picado
- 4 cucharadas de albahaca fresca, picada
- 1/4 cucharadita de sal
- 1/2 cucharadita de pimienta negra recién molida, al gusto

Pollo

- 2 pechugas de pollo deshuesadas y sin piel, cortadas en 8 tiras finas
- Sal y pimienta negra recién molida

Ensalada

- 3 cogollos de lechuga romana, picada
- 4 huevos grandes, duros
- 8 rebanadas de tocino
- 1 taza de cogollos de alcachofa, en cuartos
- 2 tomates maduros, sin semillas, picados
- 2 aguacates maduros, picados en cubitos
- 1 cebolla roja, picada

1. **Prepare el tocino:** corte el tocino en tiras de 1 pulgada. Fría el tocino en una sartén o sartén pesada a fuego medio-alto. Saque el tocino y toda la grasa, dejando 1 cucharada de grasa de tocino en la sartén.
2. **Prepare el pollo:** Condimente el pollo, luego ase a fuego medio-alto en la grasa de tocino durante 2 a 3 minutos por lado hasta que esté listo. Sáquelo de la sartén y déjelo enfriar.
3. **Para el aderezo de queso azul:** En un tazón, mezcle la mayonesa, el suero de mantequilla, la crema agria y la salsa Worcester y mezcle hasta que quede suave. Agregue el queso azul, las cebolletas, la albahaca, la sal y la pimienta. Cubra y refrigere por lo menos 2 horas antes de servir para permitir que marinarse.
4. **Para la ensalada:** Coloque la lechuga picada en un tazón grande o en una fuente grande. Agregue hileras de ingredientes para ensaladas: pollo picado a la parrilla, huevos duros picados o cortados en cuartos, tocino, cogollos de alcachofas, tomates, aguacates y cebolla roja picada.
5. Rocíe el queso azul cremoso de albahaca sobre la ensalada antes de servir.

Recetas

Pastel de carne de pavo con relleno

Este plato se originó en Alemania, donde se ha dicho que los inmigrantes trajeron pastel de carne con ellos al sur de Brasil, donde se adaptó para incluir un huevo duro relleno dentro. En Hungría, el pastel de carne Stefania es uno de los favoritos cuando un largo pastel de carne se hornea en una sartén con huevos duros en el medio.

Pastel de carne

- 1 libra de pavo molido, se prefiere carne oscura
- 1 taza de cebolla, picada finamente
- 1 diente de ajo, picado
- 1 racimo de perejil fresco, picado finamente
- 2 cucharadas de orégano seco
- 2 huevos
- 1/4 taza de miga de pan italianas
- 1/3 taza de salsa de barbacoa, como cubierta

Relleno

- 2 cucharadas de aceite de oliva
- 2 cucharadas de aceite de ají
- 1 taza de setas frescas, picadas
- 3 pimientos shisito, picados
- 1/2 cebolla, en rodajas
- 1 taza de calabacín, rallado
- 4 huevos duros

1. **Prepare el pastel de carne.** Coloque todos los ingredientes de pastel de carne en un tazón grande. Mezcle a mano hasta que se mezclen.
2. **Extienda una envoltura de plástico sobre la superficie de trabajo.** Coloque la carne en el centro de la envoltura de plástico. Use las manos para empujar en un cuadrado, de aproximadamente 13 pulgadas de ancho x 14 pulgadas de profundidad.
3. **Prepare el relleno.** Saltea todos los ingredientes en una sartén grande hasta que las cebollas estén suaves y doradas.
4. **Añada una capa del relleno sobre la carne.**
5. **Organiza una hilera de 4 huevos en el centro de la carne y el relleno.**
6. **Ruede el pan.** Use la envoltura de plástico para levantar la parte de atrás de la carne y sobre los huevos. Tire de la parte delantera de la envoltura de plástico hacia abajo. Sujete firmemente las dos esquinas de la parte trasera de la envoltura y tire de la carne hacia arriba y sobre la parte trasera de los huevos para formar un pan.
7. **Con un cepillo o una cuchara, unte la salsa de barbacoa sobre la parte superior del pastel.**
8. **Retire el papel plástico.** Hornee a 350°F durante 25 minutos. Use un termómetro para carne para verificar si la temperatura interna es de 170°F - 180°F. Siga cocinando por 5 minutos, si es necesario.

Huevos escalfados

- 2 huevos grandes
 - sal y pimienta, para aderezar
1. **Viértala agua fría utilizando el vaso medidor de líquido en el depósito de agua de la base.**
 2. **Centre la rejilla de cocción en la parte superior de la base.** Coloque la bandeja de escalfado sobre la rejilla de cocción.
 3. **Rompa un huevo por vez para agregarlos en cada sección de escalfado.**
 4. **Añadir la tapa y Presione el botón de encendido/apagado para encender el cuece huevos.**
 5. **En algunos minutos, cuando los huevos estén cocidos y el agua se haya evaporado, la luz roja indicadora de LISTO del cuece huevos se apagará.**
 6. **Retire los huevos escalfados.** Espolvoree con sal y pimienta antes de servir.

Recetas

Huevos endiablados divinos con camarones

Hace: 12

- 12 camarones al vapor, con colas
- 6 huevos grandes, duros
- 1/3 taza de mayonesa
- 2 cucharaditas de jugo de limón recién exprimido
- 1 cucharadita de cáscara de limón
- 1 cucharadita de salsa de ají
- 1 cucharadita de salsa picante de siracha
- 1 cucharadita de rábano picante preparado
- 1/2 cucharadita de sal kosher
- paprika dulce, para aderezar

1. **Rompa las cáscaras de huevo y pélelas cuidadosamente con agua fría. Seque suavemente con toallas de papel**
2. **Corte los huevos duros por la mitad a lo largo. Retire las yemas y colóquelas en un tazón. Coloque las claras en un platón de huevos endiablados.**
3. **Con un tenedor, haga un puré de yemas de huevo para hacer una mezcla fina. Agregue los ingredientes restantes , excepto los camarones y mezcle bien.**
4. **Con una cuchara coloque cucharadas o coloque la mezcla de yema en las cáscaras de huevo. Añada un camarón sobre cada huevo.**
5. **Espolvoree con paprika antes de servir.**

Ensalada de huevo al curry

Una sorpresa deliciosa, servimos pequeños sándwiches de té con ensalada de huevo al curry para el primer plato de nuestro "High Tea". Los rábanos crujientes añaden un sabor de frescura picante. Esta ensalada es única e ideal para cualquier ocasión.

8 pequeños sándwiches de té

- 4 huevos grandes, duros
- 3 rábanos medianos, picados
- 3 cucharadas de mayonesa
- 1 cucharada de yogur natural
- 2 cucharadas de cebolla roja, picada
- 1 cucharada de cilantro, picado
- 2 cucharaditas de jugo de limón recién exprimido
- 1/2 cucharadita de sal de ajo
- 1-1 / 2 cucharaditas de curry en polvo
- 1 cucharadita de cúrcuma
- 4 rebanadas de pan cuadrado de sandwich

1. **Rompa las cáscaras de huevo y pélelas cuidadosamente con agua fría. Seque suavemente con toallas de papel.**
2. **Pique los huevos duros en pedazos pequeños. Agregue los ingredientes restantes y mezcle bien.**
3. **Ajuste los condimentos al gusto.**
4. **Divida la mezcla en dos. Extienda cada mitad en una rebanada de pan y cubra con las rebanadas restantes. Corte las costras y corte cada sandwich en diagonal para hacer 8 pequeños sándwiches de té.**

Recetas

Ensalada de aguacate de salmón

¡Esta no es su ensalada de salmón típica! ¡El yogur sin grasa combinado con el aguacate maduro agrega una frescura cremosa sin la mayonesa! Los huevos agregan aún más sabor, nutrición y proteína a esta ensalada de salmón y huevo con aguacate.

- 2 latas (5 oz.) de salmón
 - 4 huevos duros grandes, triturados o picados
 - 2 aguacates maduros, hicieron puré
 - 1/4 taza de yogur griego natural
 - sin grasa
 - 2 cucharadas de jugo de limón recién exprimido
 - 1 cucharadita de sal de ajo
 - 1-1/2 - 2 cucharadas de salsa de pepinillos dulces
 - 1/4 taza de cebollas verdes picadas
 - 2 cucharadas de alcaparras, escurridas
 - 1/4 taza de eneldo fresco, picado
 - 1/2 cucharadita de paprika
 - ahumada o regular
 - 1/2 cucharadita de cebolla en polvo
 - 1 cucharadita de sal de ajo
 - 1/2 cucharadita de pimienta
1. Rompa las cáscaras de huevo y pélelas cuidadosamente con agua fría. Seque suavemente con toallas de papel.
 2. Pique los huevos duros en pedazos pequeños.
 3. Agregue todos los ingredientes a un tazón grande y mezcle bien.



Garantía limitada de DOS AÑOS

Mediante la presente, SENSIO Inc. garantiza que, durante el plazo de **DOS AÑOS** a partir de la fecha de compra, este producto no presentará defectos mecánicos en el material ni en la mano de obra, y durante 90 días, no los presentará en las piezas no mecánicas. A su entera discreción, SENSIO Inc. reparará o reemplazará el producto que resulte defectuoso, o emitirá un reembolso por el producto durante el plazo de garantía.

Esta garantía es válida únicamente para el comprador minorista original a partir de la fecha de compra minorista inicial y no es transferible. Conserve el recibo de compra original, ya que se exige una prueba de compra para obtener la validación de la garantía. Las tiendas minoristas no tienen derecho a alterar, modificar ni corregir de ninguna manera los términos y condiciones de la garantía.

EXCLUSIONES:

La garantía no cubre el desgaste normal de las piezas ni el daño ocasionado por cualquiera de las siguientes causas: uso negligente del producto, uso de un voltaje o corriente incorrectos, mantenimiento de rutina inadecuado, uso contrario al de las instrucciones de funcionamiento, desarmado, reparación o alteración a cargo de personas que no sean miembros del personal calificado de SENSIO Inc. Asimismo, la garantía no cubre actos de la naturaleza, como incendios, inundaciones, huracanes o tornados.

SENSIO Inc. no asumirá responsabilidad por daños incidentales o resultantes ocasionados por la violación de cualquier garantía expresa o implícita. Salvo en la medida en que lo prohíban las leyes aplicables, cualquier garantía implícita de comerciabilidad o aptitud para un propósito particular se limita temporalmente a la duración de la garantía. Algunos estados, provincias o jurisdicciones no permiten la exclusión ni la limitación de daños incidentales o resultantes, o limitaciones sobre la duración de una garantía implícita y, por lo tanto, es posible que las exclusiones o limitaciones mencionadas no le correspondan. La garantía cubre derechos legales específicos que pueden variar de un estado, una provincia o una jurisdicción a otros.

CÓMO OBTENER EL SERVICIO DE GARANTÍA:

Debe comunicarse con el Servicio de atención al cliente a nuestro número telefónico gratuito: 1-866-832-4843. Un representante del Servicio de atención al cliente intentará resolver los problemas referidos a la garantía por teléfono. Si este no puede resolver el problema, le proporcionarán un número de caso y le solicitarán que devuelva el producto a SENSIO Inc. Adhiera una etiqueta al producto que incluya: su nombre, dirección, número telefónico de contacto durante el día, número de caso y descripción del problema. Además, incluya una copia del recibo de compra original. Envuelva cuidadosamente el producto etiquetado con el recibo de compra, y envíelo (con el envío y el seguro prepagados) a la dirección de SENSIO Inc. SENSIO Inc. no asumirá obligación ni responsabilidad alguna por el producto devuelto que esté en el trayecto hacia el Centro de servicio al cliente de SENSIO Inc.









GRACIAS

por su compra

REGISTRARSE



para recibir anuncios especiales y recetas de moda!

¡CUÉNTENOS LO QUE PIENSA!



Reseñas, comentarios o hacernos alguna pregunta

VISITE: bellahousewares.com

#myBELLAlife



BellaLifestyle

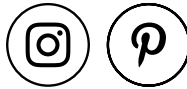


BellaLife





BellaLife



BellaLifestyle



bellahousewares.com

For customer service questions or comments

Dudas o comentarios contactar el departamento de servicio al cliente

1-866-832-4843 / help@bellahousewares.com

Sensio Inc.
New York, NY 10016/USA

17162 R2