

Ductless Split Indoor Wall-Mounted Unit R-32, R-454B Refrigerant

Models

Single Zone	115 VOLT	FAHSW09A1C, FAHSW12A1C,
Single Zone	230 VOLT	FAHSW36A3D
Single Zone & Multi-Zone	208/230 VOLT	FAHFW09A3D, FAHFW12A3D FAHFW18A3D, FAHFW24A3D,
Multi-Zone	208/230 VOLT	FAHMW07A3D



RECOGNIZE THIS SYMBOL AS AN INDICATION OF IMPORTANT SAFETY INFORMATION!

▲ WARNING

THESE INSTRUCTIONS ARE INTENDED AS AN AID TO QUALIFIED SERVICE PERSONNEL FOR PROPER INSTALLATION, ADJUSTMENT AND OPERATION OF THIS UNIT. READ THESE INSTRUCTIONS THOROUGHLY BEFORE ATTEMPTING INSTALLATION OR OPERATION. FAILURE TO FOLLOW THESE INSTRUCTIONS MAY RESULT IN IMPROPER INSTALLATION, ADJUSTMENT, SERVICE OR MAINTENANCE, POSSIBLY RESULTING IN FIRE, ELECTRICAL SHOCK, CARBON MONOXIDE POISONING, EXPLOSION, PROPERTY DAMAGE, PERSONAL INJURY OR DEATH.

▲ WARNING

PROPOSITION 65 WARNING: THIS PRODUCT CONTAINS CHEMICALS KNOWN TO THE STATE OF CALIFORNIA TO CAUSE CANCER, BIRTH DEFECTS OR OTHER REPRODUCTIVE HARM.

DO NOT DESTROY THIS MANUAL. PLEASE READ CAREFULLY AND KEEP IN A SAFE PLACE FOR FUTURE REFERENCE BY A SERVICEMAN.

For indoor unit only, refer to the outdoor unit Installation and Operation Manual as well as the Remote Control Operation instructions for additional information.

NOTICE: This Indoor unit is compatible with both R-32 and R-454B refrigerant. Prior to Installing the unit or servicing the unit with refrigerant;

- Check the Outdoor unit being connected to for refrigerant charge and type. Refer to the nameplate on the outdoor unit.
- Ensure the unit meets the room size restriction for A2L refrigerants. Refer to table C.1.
- Upon confirmation of the refrigerant type (from the outdoor unit), the installing contractor should indicate the system refrigerant type on the indoor unit by marking the appropriate refrigerant indicator on the indoor unit nameplate

Register your Air Conditioner

Model information can be found on the name plate. Please complete and mail the owner registration card furnished with this product, or register online at www.friedrich.com.

A. IMPORTANT SAFETY AND GENERAL INFORMATION 3

 A.1 Introduction 3

 A.2 · Safety Symbols 3

 A.4 Importance of a Quality Installation..... 5

C. INSTALLATION OF THE UNIT 6

 C.1 A2L Room size Restriction..... 6

 C.2 Clearances 6

 C.3 Pre-Installation Checkpoints..... 7

 C.4 Install Mounting Plate..... 8

 C.5 Drill Hole for Piping..... 10

 C.6 Piping Provisions..... 11

 C.7 Indoor Unit Installation..... 12

E. ELECTRICAL..... 16

 E.1 Indoor Unit Wiring Connection Diagram..... 17

J. STARTUP AND OPERATION..... 18

 J.1 Checklist and Operation Test..... 18

ESPAÑOL..... 19

FRANÇAIS..... 49



Operating condition

The protective device maybe trip and stop the appliance in the cases listed below.

HEATING	Outdoor air temperature is over 75°F(24°C)
	Outdoor air temperature is below -4°F(-20°C)
COOLING	Room temperature is over 80.6°F(27°C)
	Outdoor air temperature is over *115°F(46°C)
DRY	Room temperature is below 70°F(21°C)
	Room temperature is below 64.5°F(18°C)

**For Tropical (T3) Climate condition models, the temperature point is 131°F(55°C) instead of 109°F(43°C). The temperature of some products is allowed beyond the range. In specific situation, please consult the merchant.*

**For R32 refrigerant models can keep heating at -4°F(-20 °C) outdoor ambient , for R454B efrigerant models can keep heating at -13°F(-25 °C) outdoor ambient. For some models, can keep heating even at lower outdoor ambient*

If the air conditioner runs in COOLING or DRY mode with door or window opened for a long time when relative humidity is above 80%,dew may drip down from the outlet.



A. IMPORTANT SAFETY AND GENERAL INFORMATION

A.1 Introduction

This booklet contains the installation and operating instructions for your Air Conditioning unit. There are some precautions that should be taken to ensure proper operation. Improper installation can result in unsatisfactory operation or dangerous conditions.

Read this booklet and any instructions packaged with separate equipment required to make up the system prior to installation. Give this booklet to the owner and explain its provisions. The owner should retain this booklet for future reference.

A.2 · Safety Symbols

SAFETY IS IMPORTANT

We have provided many important safety messages in this manual and on your appliance. Always read and obey all safety messages.



This is a safety Alert symbol. This symbol alerts you to potential hazards that can kill or hurt you and others.

All safety messages will tell you what the potential hazard is, tell you how to reduce the chance of injury, and tell you what will happen if the instructions are not followed.

All safety messages will follow the safety alert symbol with the word "WARNING" or "CAUTION". These words mean:



WARNING Indicates a hazard which, if not avoided, can result in severe personal injury or death and damage to product or other property.



CAUTION Indicates a hazard which, if not avoided, can result in personal injury and damage to product or other property.

NOTICE

Indicates property damage can occur if instructions are not followed.



This symbol indicates that this appliance uses a flammable refrigerant. If the refrigerant is leaked and is exposed to an external ignition source, there is a risk of fire.



This symbol indicates that the Operation Manual should be read carefully.



This symbol indicates that service personnel should be handling this equipment with reference to the installation manual.



This symbol indicates that information is available such as the Installation and Operation manual, or the Service Manual.

A. IMPORTANT SAFETY AND GENERAL INFORMATION

A.3 · Safety Warnings

⚠️ WARNING: The manufacturer's warranty does not cover any damage or defect to the air conditioner caused by the attachment or use of any components, accessories or devices (other than those authorized by the manufacturer) into, onto or in conjunction with the air conditioner. You should be aware that the use of unauthorized components, accessories or devices may adversely affect the operation of the air conditioner and may also endanger life and property. The manufacturer disclaims any responsibility for such loss or injury resulting from the use of such unauthorized components, accessories or devices.

⚠️ WARNING: This appliance is not intended for use by persons (Including children) with reduced physical, sensory or mental capabilities, or lack of experience and knowledge, unless they have been given supervision or instruction concerning use of the appliance by a person responsible for their safety.

Children should be supervised to ensure that they do not play with the appliance.

⚠️ WARNING: The maximum altitude for this appliance is 2,000 meters(6,562 feet).

Do not use above 2,000 meters(6,562 feet).

⚠️ WARNING: Electrical Shock Hazard

Disconnect all power to the unit before starting maintenance. All electrical connections and wiring **MUST** be installed by a qualified electrician and conform to all local codes which have jurisdiction. Failure to do so can result in property damage, severe electrical shock or death.



⚠️ WARNING: Read Installation Manual

Read this manual thoroughly prior to equipment installation or operation. It is the installer's responsibility to properly apply and install the equipment. Installation must be in conformance with the NFPA 70-2023 national electric code or current edition, International Mechanic code 2021 or current edition, and any other local or national codes.



⚠️ WARNING: Safety First

Do not remove, disable, or bypass this unit's safety devices. Doing so may cause fire, injuries, or death.

⚠️ WARNING: This Product uses R-32 or R-454B Refrigerant

Do not use means to accelerate the defrosting process or to clean, other than those recommended by the manufacturer.

The appliance shall be stored in a room without continuously operating ignition sources (for example: open flames, an operating gas appliance or an operating electric heater.

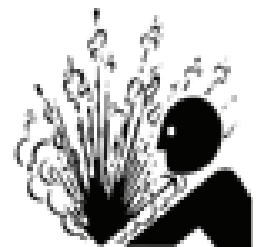
Do not pierce or burn.

Be aware that refrigerants may not contain an odor.



⚠️ WARNING: Refrigeration System under High pressure

Do not puncture, heat, expose to flame or incinerate. Only certified refrigeration technicians should service this equipment. R454B systems operate at higher pressures than R22 equipment. Appropriate safe service and handling practices must be used.



⚠️ CAUTION: Do Not Operate Equipment During Active Stages Of Construction

To ensure proper operation, Friedrich requires that all equipment is not operated during active construction phases. This includes active stages of completing framing, drywalling, spackling, sanding, painting, flooring, and moulding in the equipment's designated conditioning space. The use of this equipment during construction could result in premature failure of the components and/or system and is in violation of our standard warranty guidelines. The operation of newly installed equipment during construction will accelerate the commencement and/or termination of the warranty period.

⚠️ WARNING: Keep all air circulation and ventilation openings free from obstruction.

⚠️ WARNING: The unit should not be in contact with any equipment that will transmit vibration to the unit. Any excessive vibration or pulsation to the unit could result in damage to the refrigerant tubing.

A. IMPORTANT SAFETY AND GENERAL INFORMATION

A.4 Importance of a Quality Installation

Optimal system performance and longevity depend upon a quality and proper installation. Failure to properly install this unit could result in undesirable operation and subsequent faults and potential failures.

Carefully follow all guidelines listed in the manual and industry best practices. Conform to all local code requirements. Contact your local technical representative with any questions or concerns.

Due to continuing research in new energy-saving technology, all information in this manual is subject to change without notice.

Upon receiving the unit, inspect it for any damage from shipment. Claims for damage, either shipping or concealed, should be filed immediately with the shipping company. **IMPORTANT:** Check the unit model number, Cooling size, electrical characteristics, and accessories to determine if they are correct.

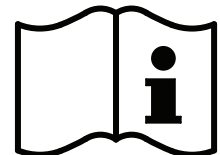
⚠ WARNING: Check the unit power cord and make sure the cord is protected from wear, corrosion, excessive pressure, vibration, sharp edges, or any other adverse environmental effects. It is recommended that the cord is checked for any potential damage when filter maintenance is performed. If the supply cord is damaged, it must be replaced by the manufacturer, its service agent or similarly qualified persons in order to avoid a hazard.

⚠ WARNING: If the unit appears damaged, or if a refrigerant leak is suspected, do not install. Contact a licenced repair person to perform a leak check on the unit.



⚠ WARNING: Under no circumstances shall potential sources of ignition be used in the searching for or detection of refrigerant leaks. A halide torch (or any other detector using a naked flame) shall not be used. The following leak detection methods are deemed acceptable for all refrigerant systems. Electronic leak detectors may be used to detect refrigerant leaks but, in the case of **FLAMMABLE REFRIGERANTS**, the sensitivity may not be adequate, or may need re-calibration. (Detection equipment shall be calibrated in a refrigerant-free area.) Ensure that the detector is not a potential source of ignition and is suitable for the refrigerant used. Leak detection equipment shall be set at a percentage of the LFL.

⚠ WARNING: Service of this product (aside from filter maintenance) shall only be performed by trained service personnel. This includes:



- Opening of any ventilated Any tubing or refrigerant circuit work.
- Opening of any sealed components.
- Enclosures beyond the hinged door for filter cleaning.
- Disposal or decommissioning of the unit.

C. INSTALLATION OF THE UNIT

C.1 A2L Room size Restriction

Minimum room size (R-32 or R-454B refrigerant) is determined by total refrigerant charge in system. Use this chart to determine the minimum room size the indoor head can be installed in. 9 and 12k 208/230V indoor heads are capable off adding an optional accessory A2L sensor. This may be required in multi-zone applications See multi-zone Outdoor Unit IOM for details and requirements.

Refrigerant charge (oz)	Height of installation(ft and inches)				
	6'	6' 6"	7' 2"	7' 10"	8' 2"
	Room (sq ft)				
64 oz.	71	64	58	53	51
65-71 oz.	78	71	64	59	57
72-77 oz.	86	78	71	65	62
78-85 oz.	94	85	77	71	68
86-92 oz.	102	92	83	77	74
93-99 oz.	110	99	90	82	79
100-106 oz.	117	105	96	88	85

Prior to installing the unit use the chart below to determine the total refrigerant charge for the unit. **If the total charge is less than 64 oz. there is no room size restriction. If the total charge is over 64 oz. refer to the chart above.** Use the total charge, the height of the bottom of the unit, and the chart above to determine the minimum square footage of the room the indoor unit can be installed in. If rooms are connected by opening that people can walk through but with no door installed, those areas can be considered one space.

		Refrigerant Type	Pre-Charge w/ 25 ft of line set	Charge w/ 25-50 ft of line set	Charge w/ 50-75 ft of line set	Charge- w/ add 75-100 ft of line set
Indoor Unit Model	Outdoor Unit Model					
		Charge Oz				
FAHSW09A1C	FHSR09B1C	R-32	21.2	27.7	33.2	N/A
FAHSW12A1C	FHSR12B1C		21.9	27.4	32.9	N/A
FAHFW18A3D	FHSR18B3D		45.9	51.4	56.9	62.4
FAHFW24A3D	FHSR24B3D		47.7	55.7	63.7	71.7
FAHSW36A3D	FHSR36B3D		72.4	83.2	93.9	104.7
FAHMW07A3D	Multi-Zone Only	R-454B	See Multi-Zone Outdoor Condenser IOM For details on Room size restriction and A2L sensor application			
FAHSW09A1AC	FPHSR09A1C		33.5	39	44.5	N/A
FAHFW09A3D	FPHSR09A3D		35.3	40.8	46.3	N/A
FAHSW12A1C	FPHSR12A1C		35.3	40.8	46.3	N/A
FAHFW12A3D	FPHSR12A3D		38.1	43.6	49.1	N/A
FAHFW18A3D	FPHSR18A3D		52.9	58.4	63.9	69.4
FAHFW24A3D	FPHSR24A3D		70.6	78.6	86.6	94.6

When adding refrigerant to the system for additional line set, refer to the model nameplate and the outdoor unit installation instructions for proper charge amount.

Table C.1

C.2 Clearances

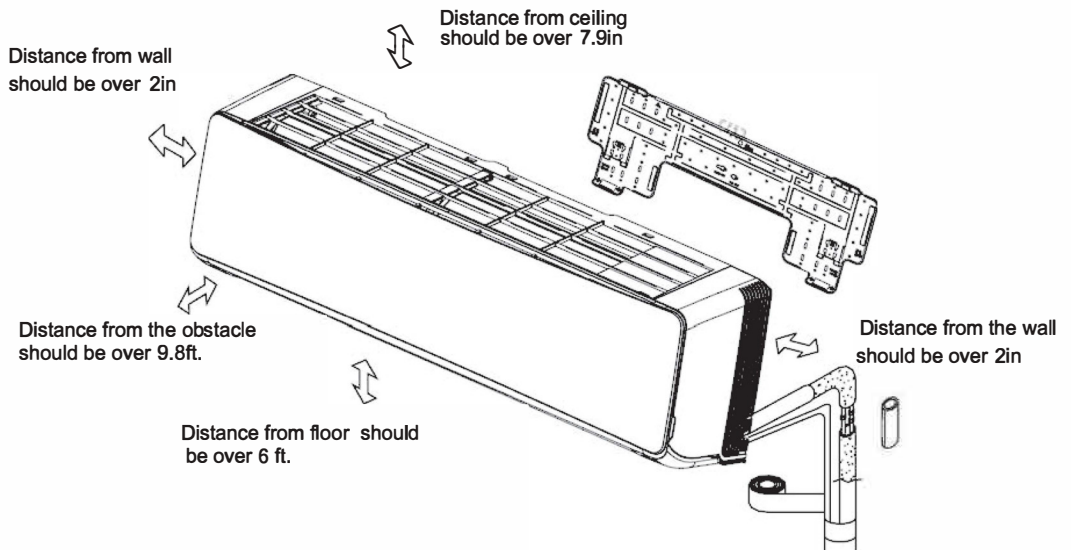


Figure C.2

C.3 Pre-Installation Checkpoints

1. Ensure there are no obstacles near the air outlet and air can be easily blown to every corner.
2. Where piping and wall hole can be easily arranged.
3. Keep the required space from the unit to the ceiling and wall according to the installation diagram on previous page.
4. Where the air filter can be easily removed.
5. Keep the unit and remote controller 3 ft or more apart from television, radio etc.
6. Keep as far as possible from fluorescent lamps.
7. Do not put anything near the air inlet to obstruct it from air absorption.
8. Install on a wall that is strong enough to bear the weight of the unit.
9. Install in a place that will not increase operation noise and vibration.
10. Refer to Table C.3.3 for max line set length and max elevation.
11. Refer to the Outdoor Unit Installation and operation manual for piping requirements, refrigerant charging, and operational checks.

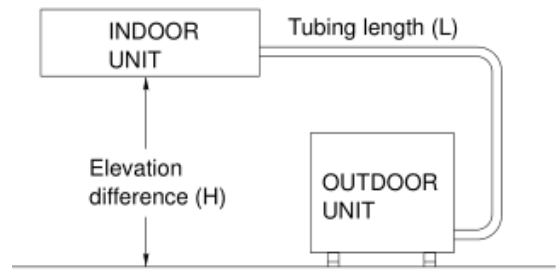


Figure C.3.1

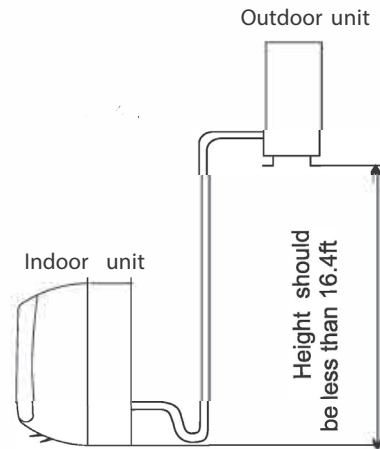


Figure C.3.2

Capacity (Btu/h)	Pipe Size		Standard Length (ft)	Max. Elevation H (ft)	Max. Length L (ft)	Additional Refrigerant (oz/ft)
	LIQUID	GAS				
7k	1/4"	3/8"	25	50	66	.22
9k	1/4"	3/8"	25	50	66	.22
12k	1/4"	3/8"	25	50	66	.22
18k	1/4"	1/2"	25	50	100	.22
24k	3/8"	5/8"	25	50	100	.32
36K	3/8"	5/8"	25	50	100	.42

Table C.3.3

⚠ WARNING



Fire Hazard

A2L refrigerant is classified as mildly flammable. Temperatures on surfaces that may be exposed to leakage of FLAMMABLE REFRIGERANTS shall not exceed 1292°F

⚠ WARNING



Refrigeration System Under High Pressure

Do not puncture, heat, expose to flame or incinerate.
Only certified refrigeration technicians should service this equipment.
R-32 and R-454B systems operate at higher pressures than R22 equipment.
Appropriate safe service and handling practices must be used.
Only use gauge sets designed for use with R32 and R-454B.
Do not use standard R22 gauge sets..

C. INSTALLATION OF THE UNIT

C.4 Install Mounting Plate

1. Installing the Mounting Plate

- 1) Decide an installing location for the mounting plate according to the indoor unit location and piping direction.
- 2) Find the center of the mounting plate according to the mark on it. Then Install a screw to fix it preliminary.
- 3) Keep the mounting plate horizontally with a horizontal ruler or dropping line.
- 4) Drill holes of 1 1/4" in depth on the wall for fixing the plate.
- 5) Fix the mounting plate with as least 7 self-tapping screws. For some mounting plates with a holder in the middle, at least 8 screws are required. (Fig. C.4.1).
- 6) Inspect if the mounting plate is well fixed. Then drill a hole for piping.

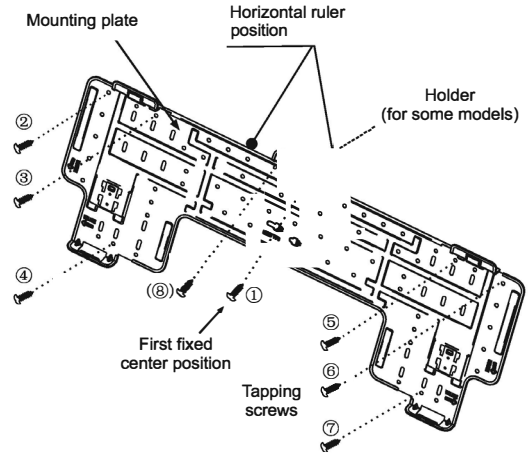


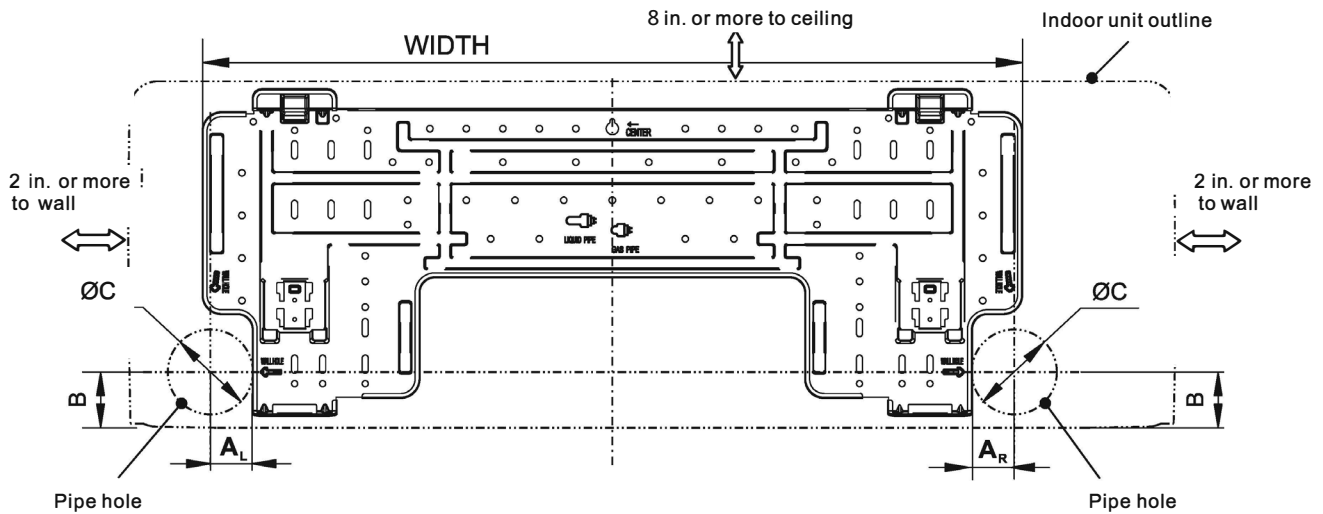
Fig. C.4.1

Note: It is recommended to install screw anchors for sheet rock, concrete block, brick and such type of wall.

Note: The center of the mounting bracket may be not the center of the indoor unit.

Note: The shape of your mounting plate may be different from the one above, but installation method is similar.

• THE MOUNTING PLATE DIAGRAMS AND DIMENSIONS (Recommended)

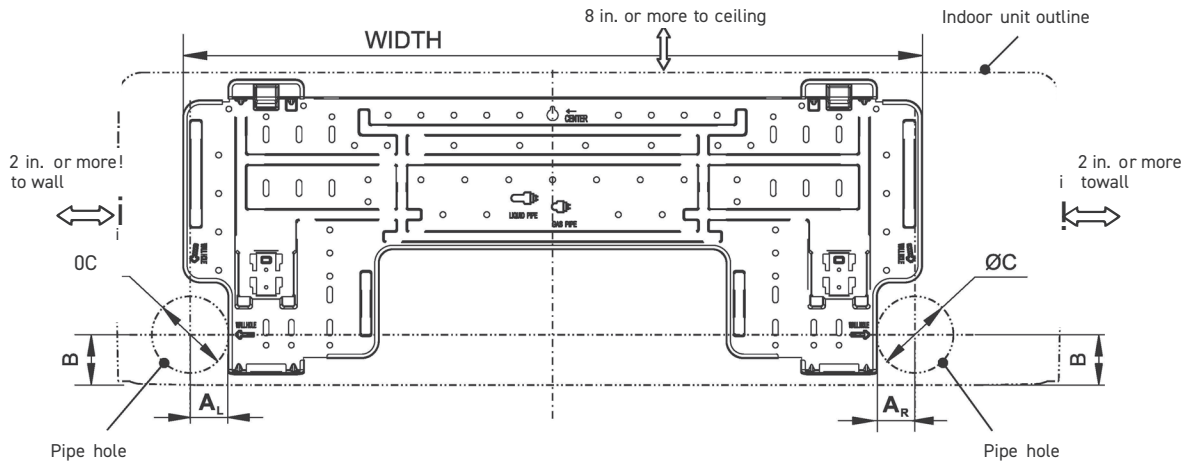


For 7K/9K/12K Series Models, WIDTH: 26 5/8 in.

C.4.2

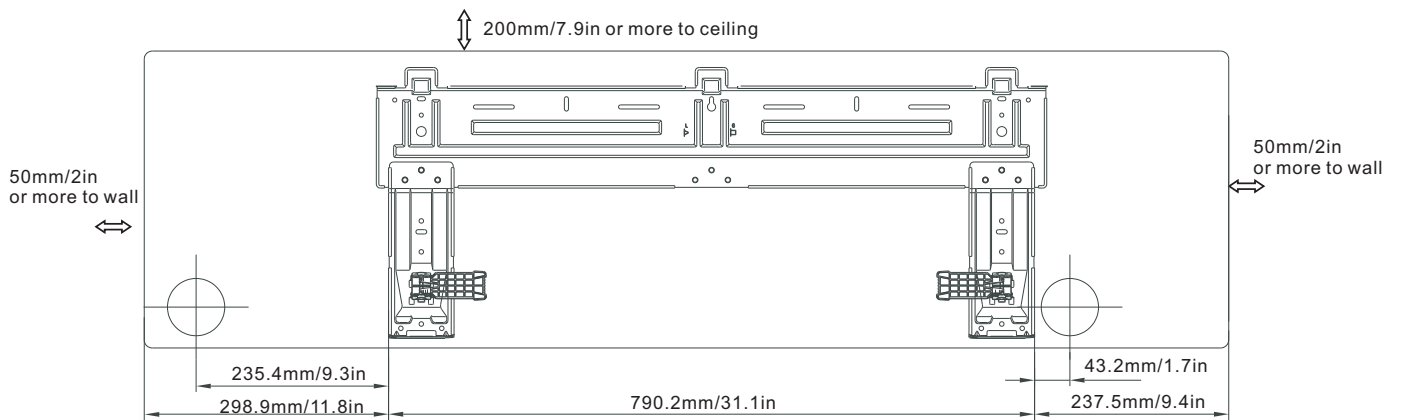
C. INSTALLATION OF THE UNIT

C.4 Install Mounting Plate



For 18K/ 24K Series Models, WIDTH: 37 5/8in.

C.4.3



For 36K Series Model

C.4.4

C. INSTALLATION OF THE UNIT

C.5 Drill Hole for Piping

Table of Wall Hole Mounting size per Unit Size

Unit Model	Size A _L	Size A _R	Size B	Size C
	in	in	in	in
7K/9K/12K Series	1 3/8 in	1 3/8 in	1 3/4 in	2 3/4 in
18K/24K Series	4 7/8 in	6 1/2 in	2 in	2 3/4 in

2. Drill a Hole for Piping

- 1) Decide the position of hole for piping according to the location of mounting plate.
- 2) Drill a hole on the wall. The hole should tilt a little downward toward outside.
- 3) Install a sleeve through the wall hole to keep the wall tidy and clean. (Fig. C.5)

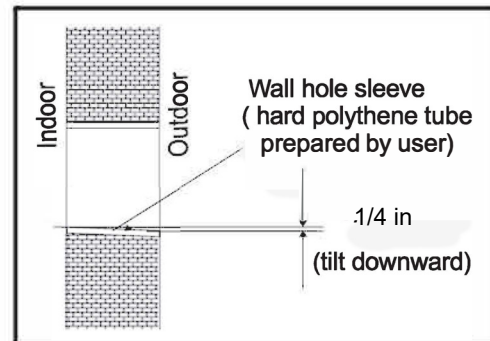
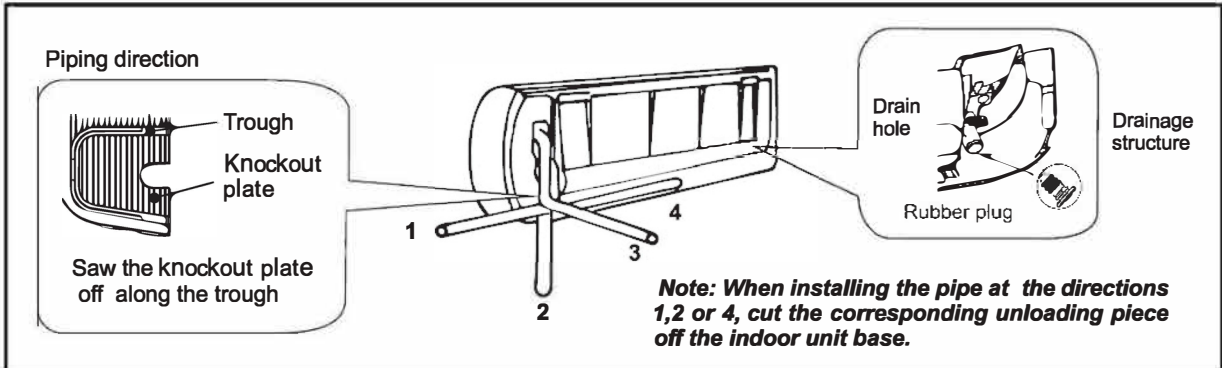


Fig. C.5

C. INSTALLATION OF THE UNIT

C.6 Piping Provisions

- 1) Put the piping (liquid and gas pipe) and cables through the wall hole from outside or put them through from inside after indoor piping and cables connection is complete to connect to the outdoor unit.
- 2) Decide whether to cut the knockout plate in accordance with the piping direction. (Fig. C.6.1)



Note: Drain hose can be installed on either side of the unit. If choosing both sides drainage connection, another proper drain hose is needed as there is only one drain hose attached to the unit. If choosing one side drainage connection, make sure the drain hole on the other side is well plugged.

- Put the piping (liquid and gas pipe) and cables through the wall hole from outside.
- 1) Cut the liquid pipe and gas pipe to the right length according to the position mark on the wall mounting plate (Fig. C.6.2). Ensure that the cut is flat (Fig. C.6.3).

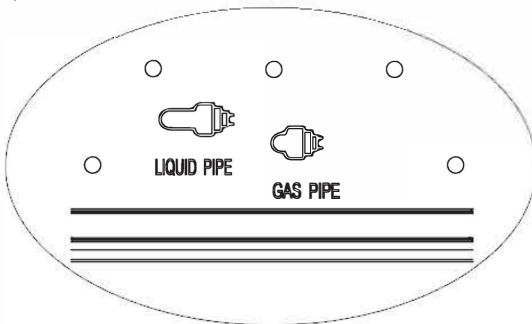


Fig.C.6.2

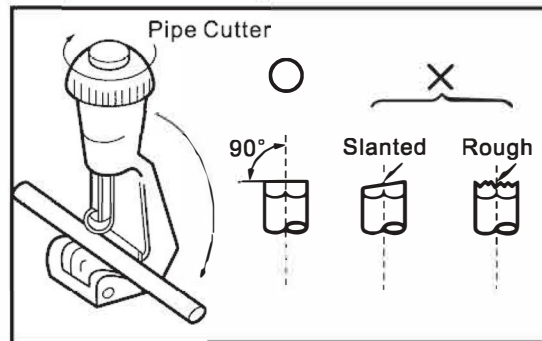


Fig.C.6.3

- 2) Remove burrs on the cutting edges. Keep the pipe outlet down to avoid getting the metal burrs into the pipe (Fig. C.6.4).
- 3) Flare the pipes. Insert the pipe outlet into the copper nut before flaring the pipe. Ensure that the hole is flat with sound surface and even thickness. (Fig. C.6.5)

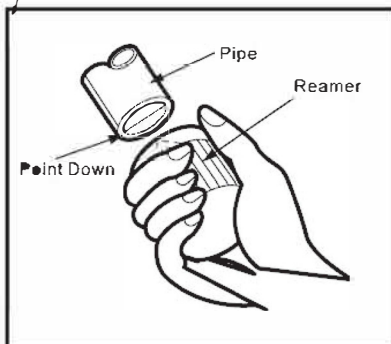


Fig. C.6.4

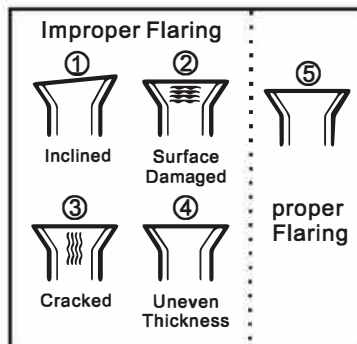


Fig. C.6.5

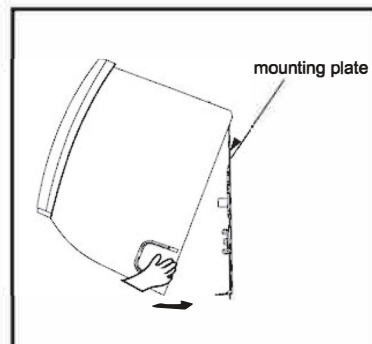


Fig. C.7.1

C. INSTALLATION OF THE UNIT

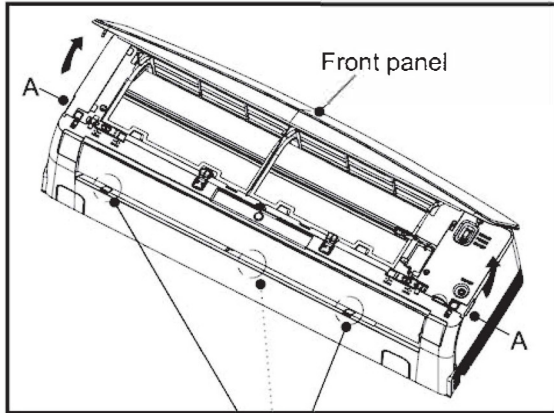
C.7 Indoor Unit Installation

1) Hang the unit onto mounting plate
(Fig. C.7.1).

2) In the A position, open the front panel as shown in Fig. C.7.2.

3) In the B position, open the screw covers as shown in Fig. C.7.3 and remove the screws. (Note: For some models, you need to remove 3 screws.)

4) In the C position, open the front shell as shown in Fig. C.7.4. Then in the D position, push the baffles to prevent the front shell from falling as shown in Fig. C.7.5.



C.7.2



C.7.4

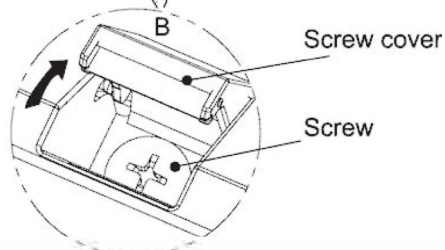


Fig. C.7.3

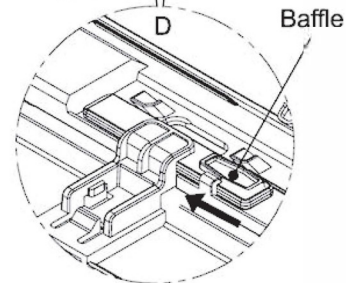


Fig. C.7.5

5) Use the support plate to move the unit step by step to reach the best location. (Fig. C.7.6 and Fig. C.7.7).

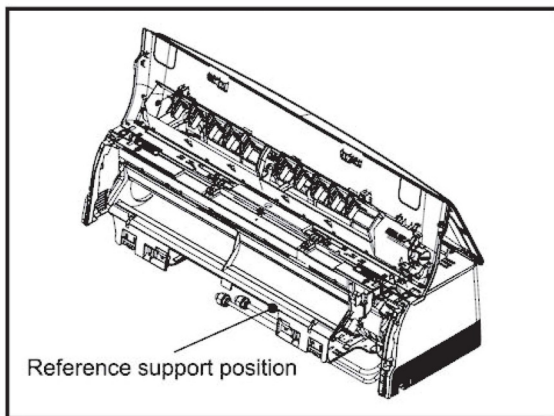


Fig. C.7.6

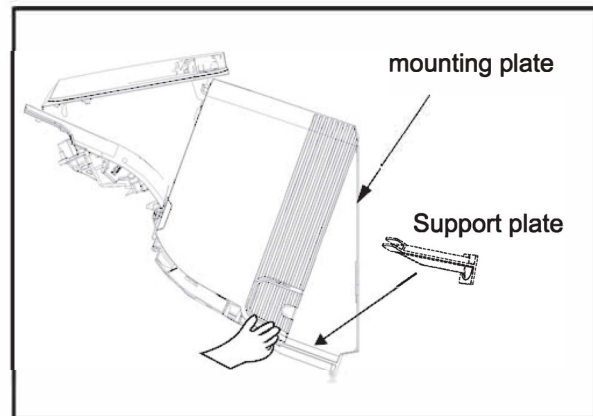


Fig. C.7.7

Note: The appearance of the model in this manual may differ from that of the air conditioner you have selected.

C. INSTALLATION OF THE UNIT

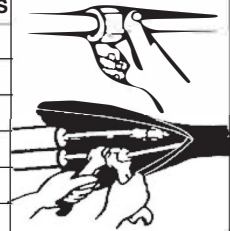
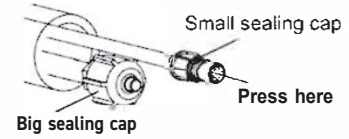
C.7 Indoor Unit Installation

6) Connect the piping .

Piping Connection:

- Before unscrewing the big and the small sealing caps, press the small sealing cap with the finger until the exhaust noise stops, and then loosen the finger.
- Connect indoor unit pipes with two wrenches. Pay special attention to the allowed torque as shown below to prevent the pipes, connectors and flare nuts from being deformed and damaged.
- Pre-tighten them with fingers at first, then use the wrenches.

If you don't hear the exhaust noise, please contact customer service.



Model	Pipe size (inches)	Torque (ft lbs)	Nut width	Min.thickness
7K-18K	LiquidSide (1/4)	11-15ft-lbs	5/8"	0.02 "
24K-36K	Liquid Side (3/8)	22-26ft-lbs	7/8"	0.024"
7K-12K	GasSide(cI> 9.53 or 3/8)	22-26ft-lbs	7/8"	0.024"
18K	GasSide(cI>12 or1/2)	37-41ft-lbs	15/16"	0.024"
24K-36K	GasSide(cI>16or 5/8)	44-48ft-lbs	1 1/8"	0.024"
36K	Gas Side (φ 19 or 3/4)	52-55ft-lbs	1 1/4"	0.039"

Table C.7.8

7) After connecting piping as required, install the drain hose. Then connect the power cords. After connecting, wrap the piping, cords and drain hose together with thermal insulation materials(Fig. C.7.9-C.7.11).

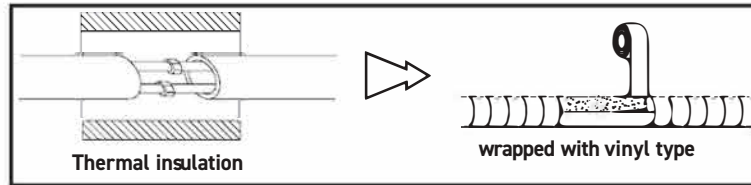


Fig. C.5.9

Note: Wrap the piping joints with thermal insulation materials and then wrap with a vinyl tape.

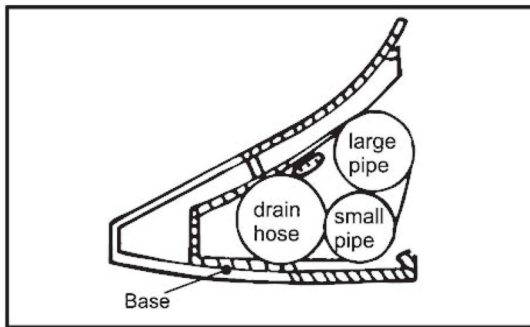


Fig. C.5.10

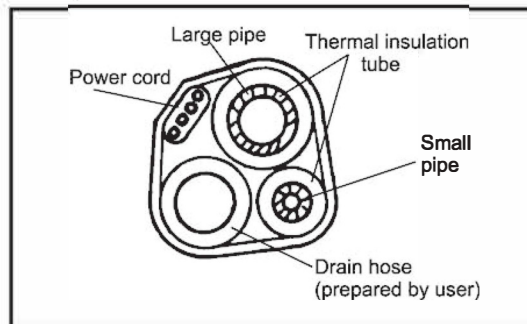


Fig. C.5.11

Note: Place the drain hose under the pipes.

Note: Insulation material uses polythene foam over 1/4" (6) mm in thickness.

Note: Drain hose is prepared by user.

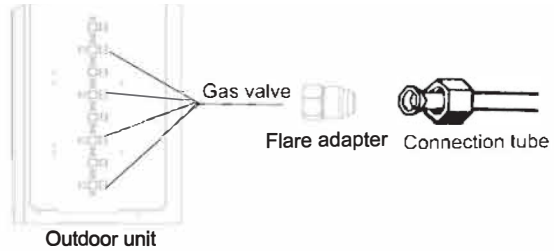
Note: Note: The appearance of the model in this manual may differ from that of the air conditioner you have selected.

C. INSTALLATION OF THE UNIT

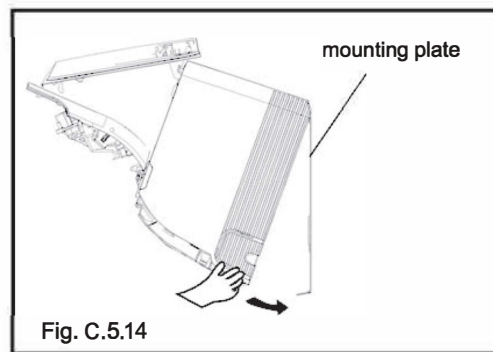
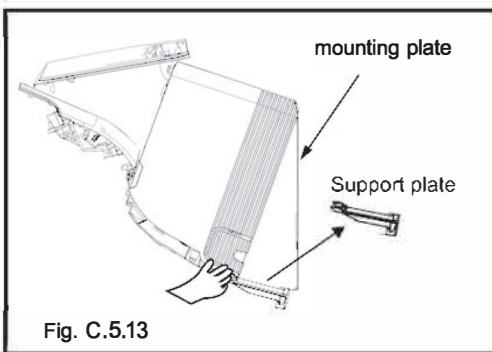
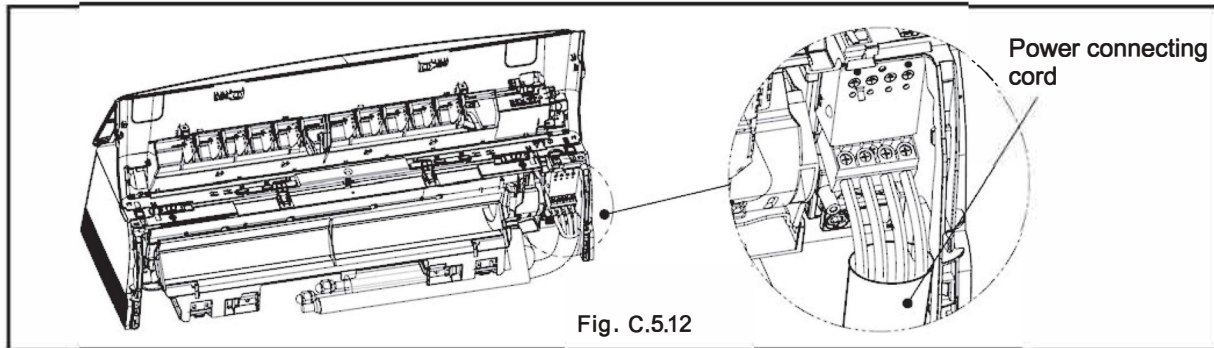
C.7 Indoor Unit Installation



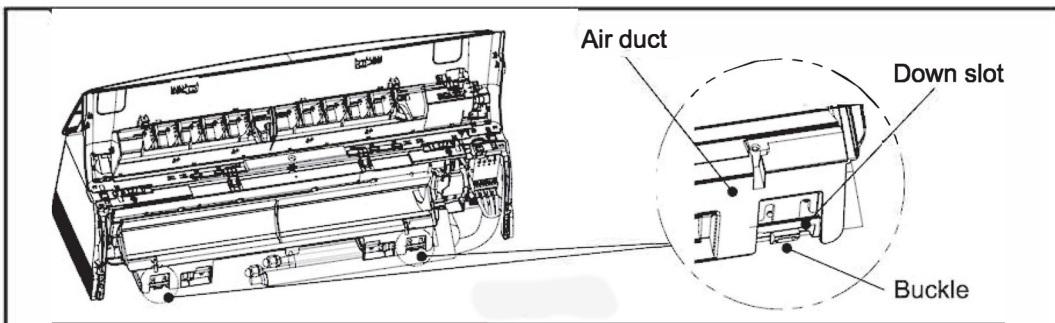
The 18K/24K indoor unit include the switch tie-in accessory only for 18K/24K indoor if required. It may switch 3/8" gas connection tube into 1/2" or 5/8" connection tube. It is installed outdoor unit.



8) Connect the power connecting cord (Fig. C.5.12).



9) Remove the support plate as shown in Fig. C.5.13 Then move the unit step by step to reach the best installation, then press the 2 buckles of the air duct into 2 down slots of the mounting plate.(Fig. C.5.14 and Fig.C.5.15)



C.5.15

C. INSTALLATION OF THE UNIT

C.7 Indoor Unit Installation

10) Pull the baffles as shown in Fig. C.5.20 Close the front shell as shown in Fig. C.5.21 . Then press the E position to fasten the front shell as shown in Fig. C.5.22

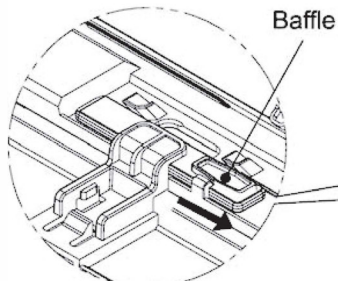
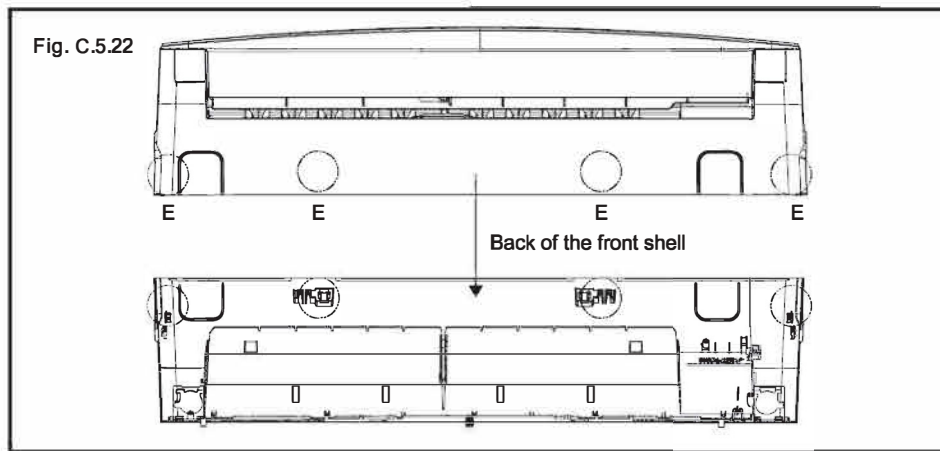


Fig. C.5.20



Fig.C.5.21



11) Install the screws and close the screw covers as shown in Fig. C.5.23 (Note: For some models, you need to install 3 screws.)

12) Close the front panel as shown in Fig. C.5.24

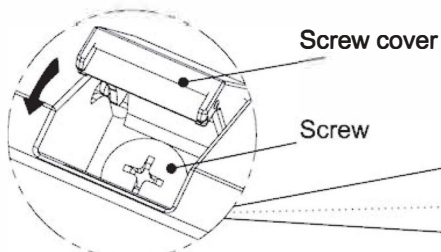


Fig.C.5.23

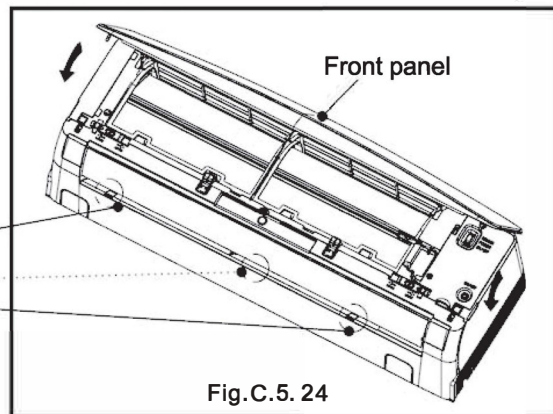



Fig.C.5.24

Note: The appearance of the model in this manual may differ from that of the air conditioner you have selected.

E. ELECTRICAL

⚠ WARNING	
	<p>Electrical Shock Hazard</p> <p>Always ensure power is disconnected before attempting to connect wires.</p>

Model	Wire Diameter(AWG) Interconnecting Wire
7-9k	14-4 AWG 600V THHN
12k	14-4 AWG 600V THHN
18k	14-4 AWG 600V THHN
24-36K	14-4 AWG 600V THHN
Table E.1	

GROUNDING	Unit MUST be grounded from branch circuit to unit, or through separate ground wire. Be sure that branch circuit or general purpose outlet is grounded. Do NOT use an extension cord.
ELECTRICAL DISCONNECT	If national or local electrical codes require an electrical disconnect for the indoor unit, use a 3 pole disconnect.

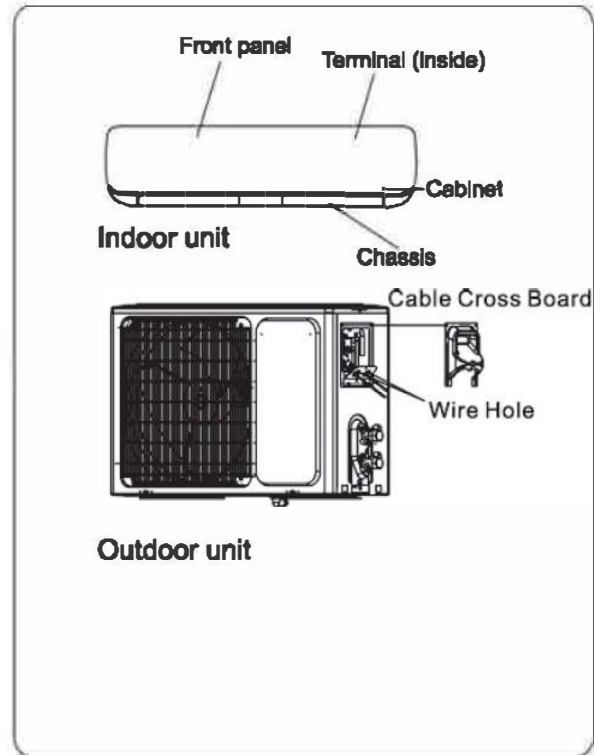


Figure E.2

Indoor Unit

Connect the power cord to the indoor unit by connecting the wires to the terminals on the control board individually in accordance with the outdoor unit connection.

Note: For some models, it is necessary to remove the cabinet to connect to the indoor unit terminal.

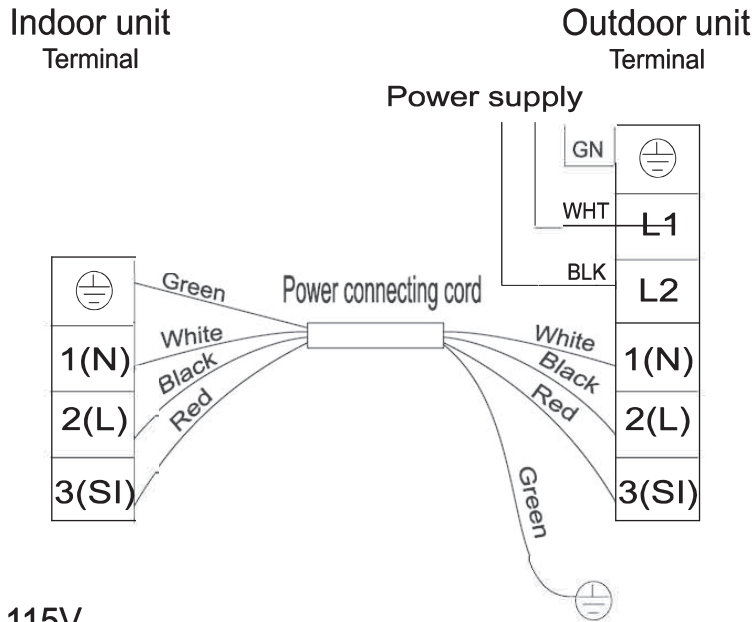
Outdoor Unit

1. Remove the cable cross board from the unit by loosening the screw. Connect the wires to the terminals on the control board individually per circuit diagram posted on inside of access door. Refer to Figure E.2.
2. Secure the power cord onto the control board with cable clamp.
3. Reinstall the cable cross board to the original position with the screw.

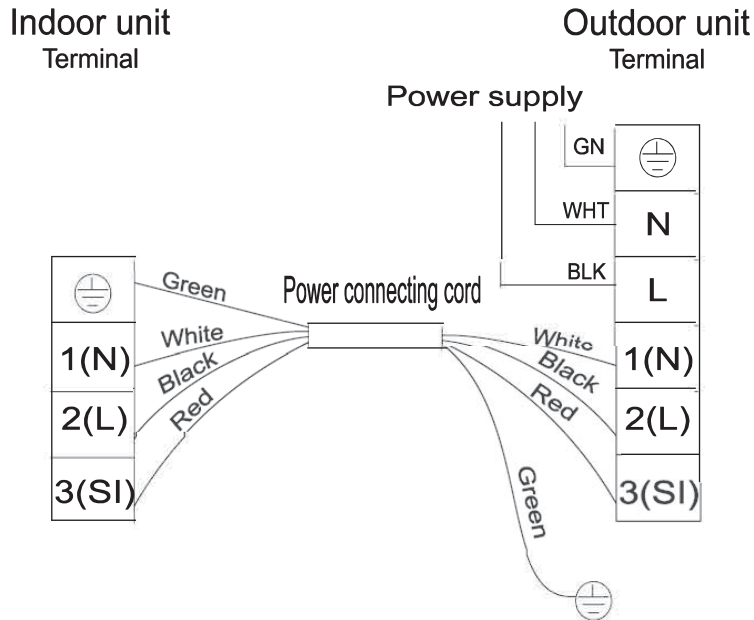
E.1 Indoor Unit Wiring Connection Diagram

Make sure that the color of the wires in the outdoor unit and terminal No. are the same as those of the indoor unit.

1) 208/230V



2) 115V



☑ Diagram is reference only, actual product terminals should be followed.

J. STARTUP AND OPERATION

J.1 Checklist and Operation Test

Present the owner or operator of the equipment with the Installation & Operation Manual, all accessory installation instructions, and the name, address, and telephone number of the Authorized Friedrich Warranty Service Company in the area for future reference if necessary. Inspect the unit for any damage to the coils and tubing that could cause a leak.

Test Operation

System Checks

Perform test operation after completing gas leak and electrical safety check.

1. Conceal refrigerant pipes where possible.
2. Make sure drain hose slopes downward along entire length at a slope of 1/4"(inch) per '(foot).
3. Ensure all refrigerant pipes and connections are properly insulated.
4. Fasten pipes to outside wall, when possible.
5. Seal and weatherproof wall hole which the interconnecting wires and refrigerant pipes pass through.

Perform test operation after completing gas leak and electrical safety check.

1. Turn on electrical disconnect to outdoor unit.
2. Push the "ON/OFF" button on Remote Controller to begin testing or press and hold Emergency ON/OFF button for 5 seconds to force test mode.
3. Push MODE button, select COOLING, HEATING, FAN mode to confirm all functions.

Indoor Unit

1. Do all Remote controller's buttons function properly?
2. Do the display panel lights work properly?
3. Does the swing louver function properly?
4. Does the drain work?

Outdoor Unit

1. Push the mode button to COOL and adjust the room setting to 61 °F(16°C) deg. Wait up to 3 minutes from compressor time guard. Does compressor and outdoor fan turn on in cooling mode?

2. Push the mode button to HEAT and adjust the room setting to 85 °F(30°C) deg. Wait up to 3 minutes for compressor time guard. Does compressor and outdoor fan turn on in heat mode?

Unit protection will prevent the unit from restarting for 3 minutes if operations stops, or modes are changed.

Preheat

At the beginning of the HEATING operation, the airflow from the indoor unit is discharged 2-5 minutes later.

Defrost

In HEATING operation the appliance will defrost (de-ice) automatically to raise efficiency. This procedure usually lasts 2-10 minutes. During defrosting, fans stop operation. After defrosting completes, it returns to HEATING mode automatically.

ESPAÑOL

Installation Manual

DUCTLESS SPLIT SYSTEMS

ESPAÑOL



El tamaño mínimo de la habitación (refrigerante R-32 o R-454B) está determinado por la carga total de refrigerante en el sistema. Utilice esta tabla para determinar el tamaño mínimo de la habitación en la que se puede instalar el cabezal interior.

Un minuto (pies cuadrados)	Altura de instalación (pies y pulgadas)				
	6	6' 6"	7' 2"	7' 10"	8' 2"
Mc(oz)					
64	71	64	58	53	51
65-71	78	71	64	59	57
72-77	86	78	71	65	62
78-85	94	85	77	71	68
86-92	102	92	83	77	74
93-99	110	99	90	82	79
100-106	117	105	96	88	85

Antes de instalar la unidad, utilice la siguiente tabla para determinar la carga total de refrigerante de la unidad. Si la carga total es inferior a 64 oz. No hay restricciones en el tamaño de las habitaciones. Si la carga total es superior a 64 oz. consulte el cuadro anterior. Utilice la carga total, la altura de la parte inferior de la unidad y la tabla anterior para determinar los pies cuadrados mínimos de la habitación en la que se puede instalar la unidad interior. Si las habitaciones están conectadas mediante una abertura por la que las personas puedan caminar pero sin puerta instaladas, esas áreas pueden considerarse un solo espacio.

Mc(oz)		Tipo de refrigerante	Precarga con 25 pies de juego de líneas	25-50 ft	50-75 ft	add 75-100 ft
Indoor Unit Model	Outdoor Unit Model					
FAHSW09A1C	FHSR09B1C	R-32	21.2	27.7	33.2	N/A
FAHSW12A1C	FHSR12B1C		21.9	27.4	32.9	N/A
FAHFW18A3D	FHSR18B3D		45.9	51.4	56.9	62.4
FAHFW24A3D	FHSR24B3D		47.7	55.7	63.7	71.7
FAHSW36A3D	FHSR36B3D		72.4	83.2	93.9	104.7
FAHM07A3D	Multizona	R-454B	Consulte el IOM del condensador exterior multizona para obtener más información sobre la restricción del tamaño de la habitación y la aplicación del sensor A2L			
FAHSW09A1AC	FPHSR09A1C		33.5	39	44.5	N/A
FAHFW09A3D	FPHSR09A3D		35.3	40.8	46.3	N/A
FAHSW12A1C	FPHSR12A1C		35.3	40.8	46.3	N/A
FAHFW12A3D	FPHSR12A3D		38.1	43.6	49.1	N/A
FAHFW18A3D	FPHSR18A3D		52.9	58.4	63.9	69.4
FAHFW24A3D	FPHSR24A3D		70.6	78.6	86.6	94.6

Al agregar refrigerante al sistema para un juego de líneas adicional, consulte la placa de identificación del modelo y las instrucciones de instalación de la unidad exterior para conocer la cantidad de carga adecuada.

Contenido

Instrucciones de seguridad	1
Preparación antes del uso	3
Preajuste	3
Proteger el entorno	3
Precauciones de seguridad	4
Instrucciones de instalación	6
Diagrama de instalación	6
Instrucciones del sitio	6
Herramientas sugeridas	7
Instalación de la unidad interior	8
Alimentación y cableado	16
Puesta en marcha	18
Cuidado y mantenimiento	19
Protección	22
Consejos de ahorro de energía	23
Resolución de problemas	24
Identificación de piezas	25
Unidad interior.....	25
Unidad exterior	25
Introducción a la pantalla	26

Refiérase a INSTRUCCIONES PARA LA INSTALACIÓN Y EL USO de la unidad externa sólo para unidades internas.

Instrucciones de funcionamiento del mando a distancia Consulte "Instrucciones del mando a distancia".

Instrucciones de seguridad

- 1. Para garantizar que la unidad funcione con normalidad, lea atentamente el manual antes de realizar la instalación y realícela en estricta conformidad con este manual.
- 2. No deje que entre aire en el sistema de refrigeración o descargue el refrigerante cuando traslade el climatizador.
- 3. Conecte adecuadamente el climatizador a tierra.
- 4. Compruebe detenidamente los cables de conexión y las tuberías, y asegúrese de que las conexiones sean correctas y firmes antes de conectar la alimentación del climatizador.
- 5. Debe disponer de un interruptor neumático.
- 6. Después de la instalación, el consumidor debe operar correctamente el climatizador en conformidad con este manual, disponer de material de almacenamiento adecuado para realizar el mantenimiento y el traslado del climatizador en el futuro.
- 7. Fusible de la unidad:

Modelo	Fusible de la unidad interior	
9K(115V)	T 3.15A o T 5A 250V	
12K(115V)	T 3.15A o T 5A 250V	
7K-12K(208/230V)	T 3.15A o T 5A 250V	
18K(208/230V)	T 3.15A o T 5A 250V	
24K-36K(208/230V)	T 3.15A o T 5A 250V	




- 8. Se debe incorporar un dispositivo de corriente residual (RCD) con una potencia superior a 10 mA en el cableado fijo en conformidad con la normativa nacional.
- 9. Advertencia: Riesgo de descarga eléctrica que podría causar lesiones o muerte: Desconecte toda alimentación eléctrica remota antes de revisar el aparato.
- 10. La longitud óptima de la tubería de conexión entre la unidad interior y la unidad exterior es de menos de 7,5 metros (24,6 pies). Si la distancia es mayor, afectará a la eficacia del climatizador.
- 11. Este aparato no ha sido diseñado para que lo utilicen personas (incluidos niños) con capacidades físicas, sensoriales o mentales reducidas, o con falta de experiencia o conocimientos, a menos que estén supervisados o reciban instrucciones acerca del uso del aparato por parte de una persona responsable de su seguridad. Los niños deben estar supervisados para garantizar que no jueguen con el aparato.
- 12. Este aparato puede ser utilizado por niños mayores de 8 años y por personas con capacidades físicas, sensoriales o mentales reducidas o falta de experiencia y conocimientos si están supervisados o han recibido instrucciones relativas al uso del aparato de forma segura y si comprender los riesgos asociados. Los niños no deben jugar con el aparato. La limpieza y el Comprénden no deben realizarlos niños sin supervisión.
- 13. Las pilas del mando a distancia deben reciclarse o eliminarse adecuadamente. Eliminación de las pilas usadas: deseche las pilas como residuos municipales clasificados en un punto de recogida accesible.

Instrucciones de seguridad

- 14. Si el aparato tiene cableado fijo, debe disponer de un medio de desconexión de la alimentación eléctrica con una separación del contacto en todos los polos que proporcione una desconexión completa en condiciones de sobretensión de categoría y dichos medios deben estar incorporados en el cableado fijo de acuerdo con las normas de cableado.
- 15. Si el cable de alimentación está dañado, debe sustituirlo el fabricante, su agente de mantenimiento o personas calificadas para evitar riesgos.
- 16. El aparato debe instalarse en conformidad con la normativa de seguridad eléctrica local y el National Electric Code (NEC).
- 17. La instalación del climatizador debe realizarla una persona profesional o calificada .
- 18. No debe instalarse el aparato en una lavandería.
- 19. Para ver más información acerca de la instalación, consulte la sección “Instrucciones de la instalación”.
- 20. Para ver más información acerca del mantenimiento, consulte la sección “Cuidado y mantenimiento”.
- 21. Para los modelos que utilizan refrigerante R32 y R454B, la conexión de las tuberías debe realizarse en el lado exterior.

Preparación antes del uso

Nota

- 
 - Cuando cargue refrigerante en el sistema, asegúrese de que esté en estado líquido si el refrigerante del aparato es R32 y R454B. De lo contrario, la composición química del refrigerante (R32 y R454B) en el interior del sistema podría cambiar y afectar al rendimiento del climatizador.
 - De acuerdo con el carácter del refrigerante (R32 y R454B, el valor de GWP es 675 y 466), la presión del tubo es muy elevada, así que sea cauteloso cuando instale y repare el aparato.
- 
 - Si el cable de alimentación está dañado, debe sustituirlo el fabricante, su agente de mantenimiento o personas calificadas similares para evitar riesgos.
- 
 - Solo instaladores y mecánicos de servicio calificadas y formados deben instalar el climatizador.
- 
 - La temperatura del circuito de refrigerante será alta, mantenga el cable de conexión de las unidades apartado de las tuberías de cobre.

Preajuste

Antes de utilizar el climatizador, compruebe y realice el preajuste de los siguientes elementos.

• **Preajuste del mando a distancia**

Cada vez que se sustituyan las pilas del mando a distancia o se cargue, el mando a distancia se ajusta automáticamente en bomba de calor. Si el climatizador que ha comprado es solo de enfriamiento, también puede usar el mando a distancia de uno de bomba de calor.

• **Función de retroiluminación del mando a distancia (opcional)**

Mantenga pulsado cualquier botón del mando a distancia para activar la retroiluminación. Se apagará automáticamente 10 segundos después.

Nota: La retroiluminación es una función opcional.

• **Preajuste de reinicio automático**

El climatizador tiene una opción de reinicio automático.

Proteger el entorno

Este aparato está fabricado con materiales reciclables o reutilizables. El desguace del mismo debe realizarse siguiendo las normativas locales de eliminación de residuos. Antes de desguazarlo, asegúrese de cortar los cables eléctricos de forma que no pueda reutilizarse el aparato. Para obtener información más detallada de la manipulación y el reciclaje de este producto, póngase en contacto con las autoridades locales que gestionen la recogida separada de residuos o con la tienda donde compró el aparato.

DESGUACE DEL APARATO

Este aparato tiene está certificado bajo la Directiva Europea 2012/19/EC de residuos de aparatos eléctricos y electrónicos (RAEE).





Esta marca indica que no se debe eliminar el producto con otros residuos doméstico en la UE. Para evitar posibles daños al medio ambiente o a la salud debidos a la eliminación descontrolada de residuos, recíclelo de forma responsable para fomentar la reutilización sostenible de los recursos materiales. Para devolver su dispositivo usado, utilice los sistemas de devolución y recogida o póngase en contacto con el distribuidor donde compró el producto. Ellos pueden hacerse cargo del producto para reciclarlo de forma segura para el medio ambiente.





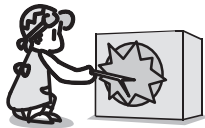





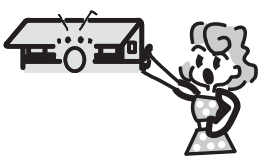





ESPAÑOL

Precauciones de seguridad





Los símbolos de este manual de uso y mantenimiento se interpretan de la siguiente manera.

-  No hacer bajo ningún concepto.
-  La conexión a tierra es fundamental.
-  Preste atención a esta situación.
-  Advertencia: Una manipulación incorrecta puede provocar riesgos graves, como muerte, lesiones graves, etc.

 <p>Utilice una alimentación eléctrica que se corresponda con el requisito nominal del equipo. De lo contrario, podrían ocurrir fallos graves o un incendio.</p>	  <p>Evite que el interruptor o el enchufe de alimentación eléctrica se ensucien. Conecte el cable eléctrico con firmeza y correctamente, ya que podría provocar descargas eléctricas o incendios por un contacto insuficiente.</p>	   <p>No utilice el interruptor de la alimentación eléctrica ni estire del enchufe para apagarlo durante el funcionamiento. Esto podría provocar un incendio causado por chispas, etc.</p>
  <p>No doble, estire ni aplaste el cable eléctrico, ya que podría romperse. Los cables eléctricos rotos podrían provocar una descarga eléctrica o un incendio.</p>	  <p>Nunca inserte palos ni objetos similares en la unidad. Debido a la alta velocidad de giro de los ventiladores, podría causar lesiones.</p>	  <p>Estar expuesto al aire frío durante mucho tiempo es perjudicial para la salud. Se recomienda permitir que el flujo de aire se distribuya por toda la habitación.</p>
  <p>Primero apague el aparato con el mando a distancia antes de desconectar la alimentación eléctrica si hubiera un mal funcionamiento.</p>	  <p>No repare el aparato usted mismo. Si se hace de forma incorrecta, podría provocar una descarga eléctrica, etc.</p>	  <p>Evite que el flujo de aire llegue a los quemadores de gas y a la estufa.</p>
  <p>No toque los botones de funcionamiento con las manos mojadas.</p>	  <p>No coloque objetos en la unidad exterior.</p>	   <p>Es responsabilidad del usuario asegurarse de que un técnico cualificado realice la conexión a tierra del aparato en conformidad con los códigos u ordenanzas locales.</p>

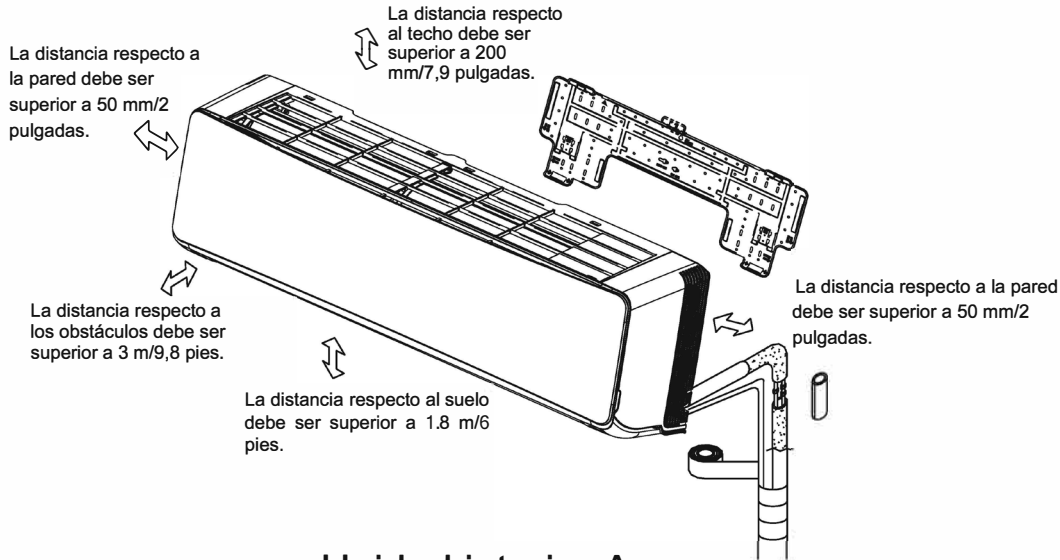
Precauciones de seguridad

Explicación de los símbolos que se muestran en la unidad interna y externa.

 <p>Caution, risk of fire</p>	<p>ADVERTE NCIA</p>	<p>Este símbolo muestra que el electrodoméstico utiliza refrigerante inflamable. Si el refrigerante se escapa o se expone a una fuente de ignición externa, hay riesgo de incendio</p>
	<p>PRECAUCI ÓN</p>	<p>Este símbolo muestra que se debe leer cuidadosamente el manual de instrucciones.</p>
	<p>PRECAUCI ÓN</p>	<p>Este símbolo muestra que personal de servicio debería manejar el equipo siguiendo el manual de instalación.</p>
	<p>PRECAUCI ÓN</p>	<p>Este símbolo muestra que la información está disponible, tanto el manual de instrucciones como el manual de instalación.</p>
<p>A2L</p>	<p>ADVERTEN CIA</p>	<p>El refrigerante se denomina según la clasificación de seguridad ASHRAE, con inflamabilidad leve y baja toxicidad.</p>

Instrucciones de instalación

Diagrama de instalación



Unidad interior A

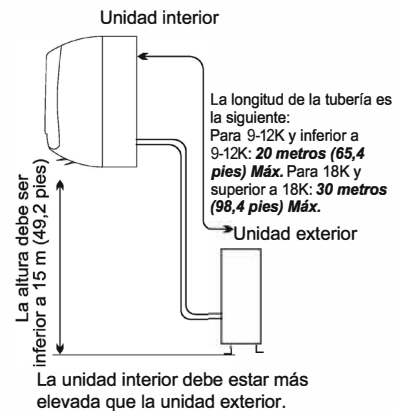


- La figura anterior es solo una representación sencilla de la unidad, podría no corresponderse al aspecto externo de la unidad que ha comprado.
- La instalación debe realizarse en conformidad con las normas nacionales de cableado y solo debe realizarla personal autorizado.

Instrucciones del sitio

Lugar de instalación de la unidad interior:

- Donde no haya obstáculos cerca de la salida de aire y el aire pueda llegar fácilmente a todos los rincones.
- Donde pueda realizarse fácilmente un orificio en la pared.
- Mantenga la separación requerida desde la unidad hasta el techo y la pared de acuerdo con el diagrama de instalación de la página anterior.
- Donde el filtro de aire pueda sustituirse fácilmente.
- Mantenga la unidad y el mando a 1 m (3,28 pies) de distancia o más respecto a televisores, radios, etc.
- Tan alejada como sea posible de lámparas fluorescentes.
- No coloque nada cerca de la entrada de aire que obstruya la absorción de aire.
- Instale en una pared lo bastante fuerte para soportar el peso de la unidad.
- Instale en un lugar que no incremente el ruido y las vibraciones del funcionamiento.
- Manténgala apartada de la luz solar directa y de fuentes de calor. No coloque materiales inflamables ni aparatos de combustión sobre la unidad.



La instalación de la unidad interna se refiere al manual de instalación de la unidad externa.

Instrucciones de instalación

Herramientas sugeridas

Para instalar el climatizador de forma más conveniente y segura, puede utilizar las herramientas especiales descritas a continuación.



Llave inglesa estándar



Destornillador



Llaves hexagonales o llaves Allen



Llave ajustable/llave de media luna



Llave dinamométrica



Taladro y brocas de taladro



Colector y manómetros



Bomba de vacío



Pinza amperimétrica

Nivel

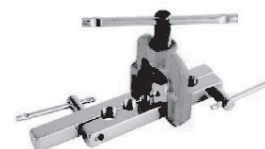


Guantes de trabajo



Gafas de seguridad

Cortador de tuberías



Escala de refrigerante



Herramienta de ensanchamiento R410A



Indicador de micras



Sierra perforadora

Instalación de la unidad interior

1. Instalación de la placa de montaje

- 1) Decida una ubicación de instalación para la placa de montaje conforme a la ubicación de la unidad interior y la dirección de la tubería.
- 2) Encuentre el centro de la placa de montaje mirando la marca que hay en ella. A continuación, inserte un tornillo para fijarla temporalmente.
- 3) Mantenga la placa de montaje horizontal con una regla.
- 4) Taladre orificios de 32 mm de profundidad en la pared para fijar la placa.
- 5) Fije la placa de montaje con al menos 7 tornillos autorroscantes. En algunas placas de montaje con soporte en el centro, se necesitan al menos 8 tornillos (Fig. 1).
- 6) Compruebe si la placa de montaje está bien fijada. A continuación, taladre un orificio para la tubería.

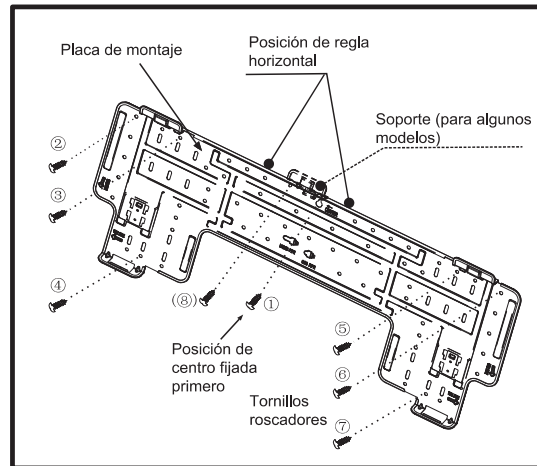


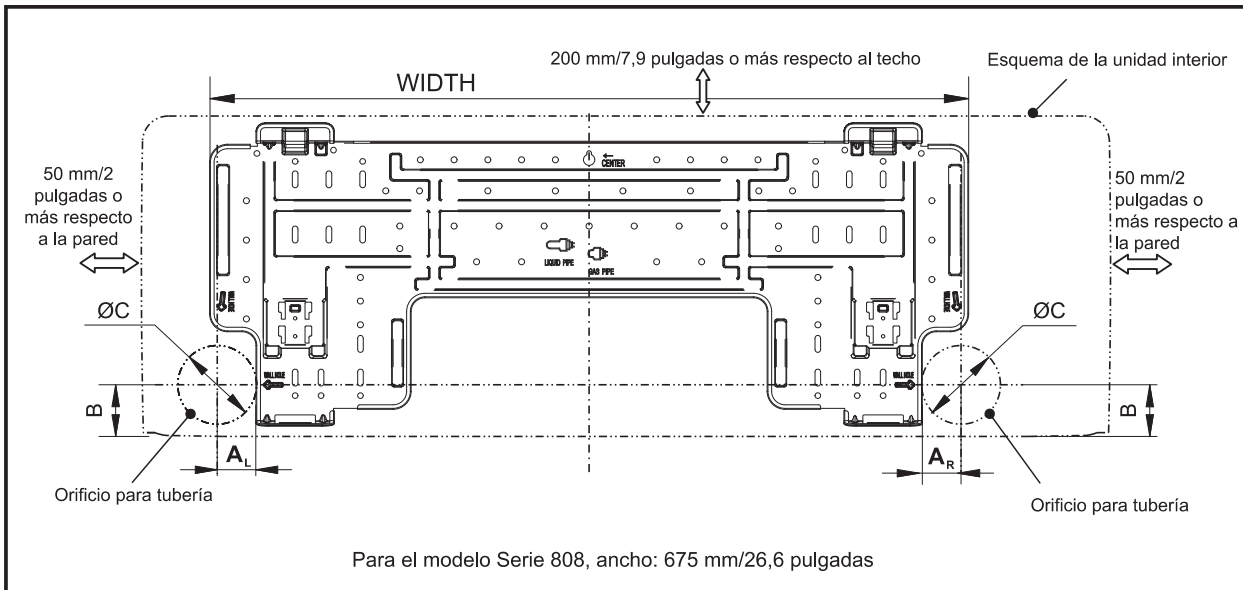
Fig. 1

Nota: Se recomienda instalar tornillos de anclaje para paneles de yeso, bloques de hormigón, ladrillos y tipos similares de paredes.

Nota: El centro del soporte de montaje no debe ser el centro de la unidad interior.

Nota: La forma de su placa de montaje podría ser diferente a la mostrada aquí, pero el método de instalación es similar.

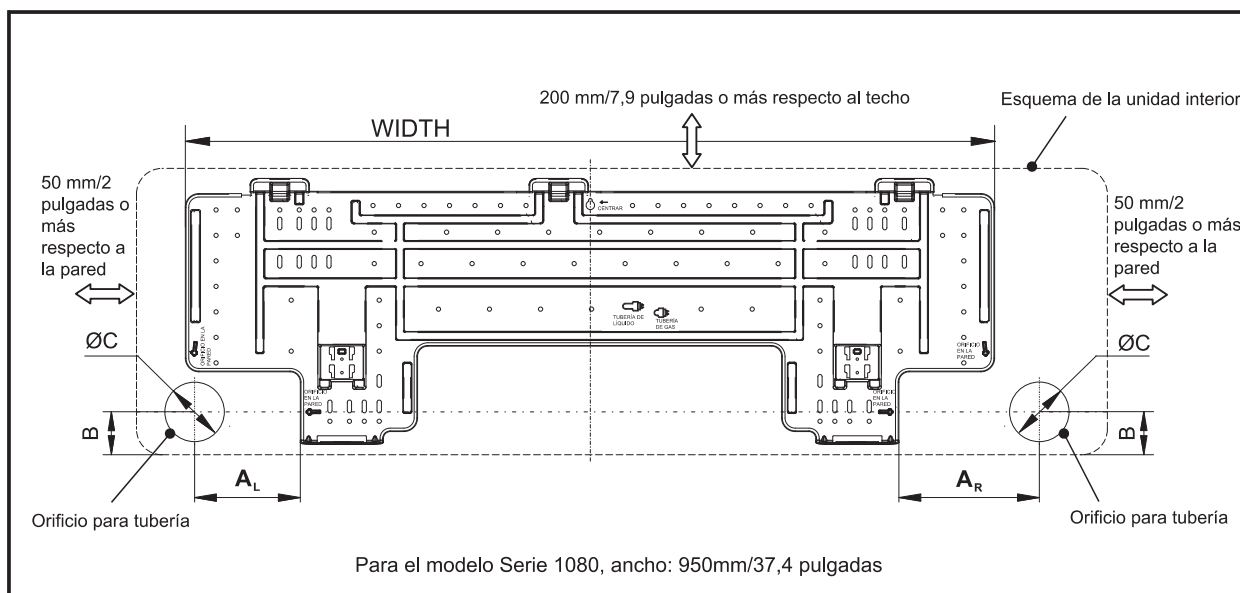
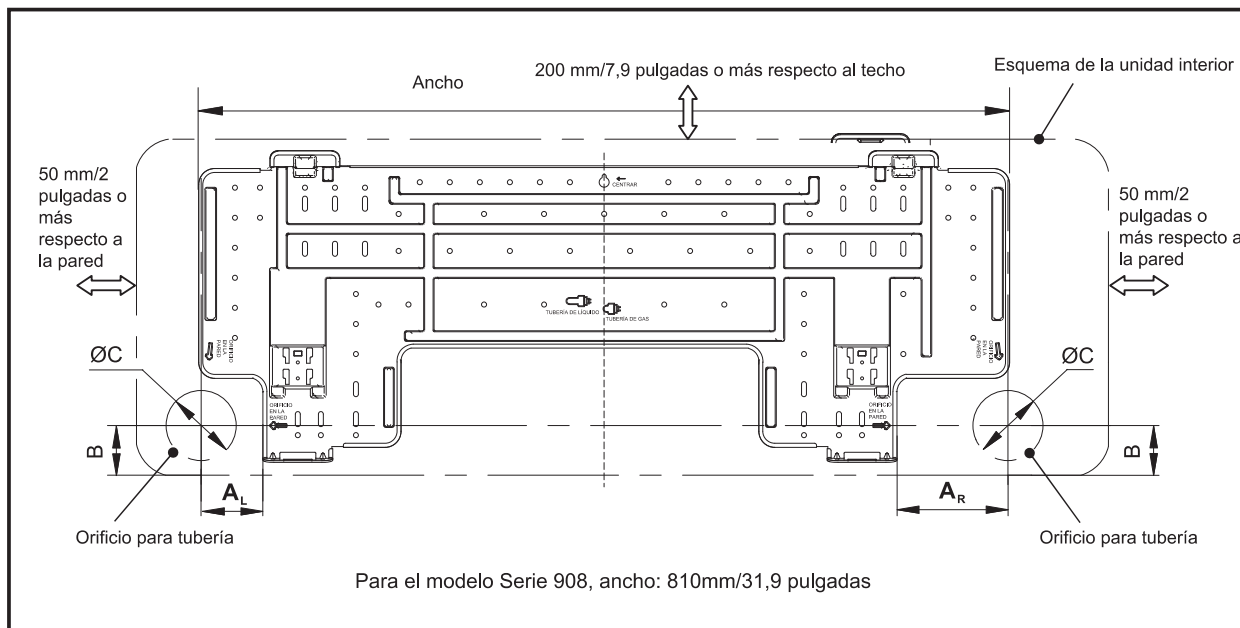
• DIAGRAMA Y DIMENSIONES DE LA PLACA DE MONTAJE (recomendados)



Instrucciones de instalación

Instalación de la unidad interior

- **DIAGRAMA Y DIMENSIONES DE LA PLACA DE MONTAJE (recomendados)**



Instalación de la unidad interior

Tabla de tamaño de orificio de montaje en pared por dimensiones de unidad

Modelo de unidad	Tamaño AL	Tamaño AR	Tamaño B	Tamaño C
	mm/pulgadas	mm/pulgadas	mm/pulgadas	mm/pulgadas
Serie 808	35/1.38	35/1.38	46/1.81	70/2.7
Serie 908	62/2.44	110/4.33	49/1.93	70/2.7
Serie 1080	124/4.88	165/6.50	50/1.97	70/2.7

2. Taladre un orificio para la tubería

- 1) Decida la posición del orificio para la tubería según la ubicación de la placa de montaje.
- 2) Taladre un orificio en la pared. El orificio debe tener una ligera pendiente descendente hacia el exterior.
- 3) Instale una funda a través del orificio de la pared para mantener la pared limpia. (Fig. 2)

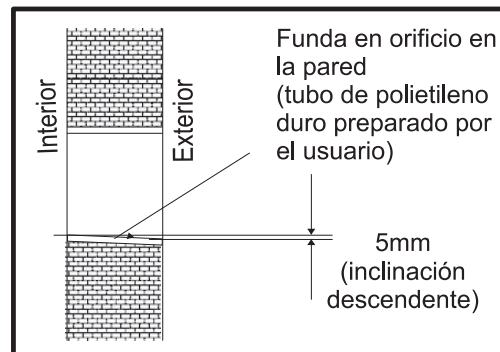


Fig. 2

3. Disposición de las tuberías

- 1) Pase las tuberías (de líquido y de gas) y los cables por el orificio de la pared desde fuera o páselos desde dentro después de completar la conexión de la tubería interior y los cables para conectar la unidad exterior.
- 2) Decida si desea cortar la pieza de descarga conforme a la dirección de las tuberías. (Fig. 3)

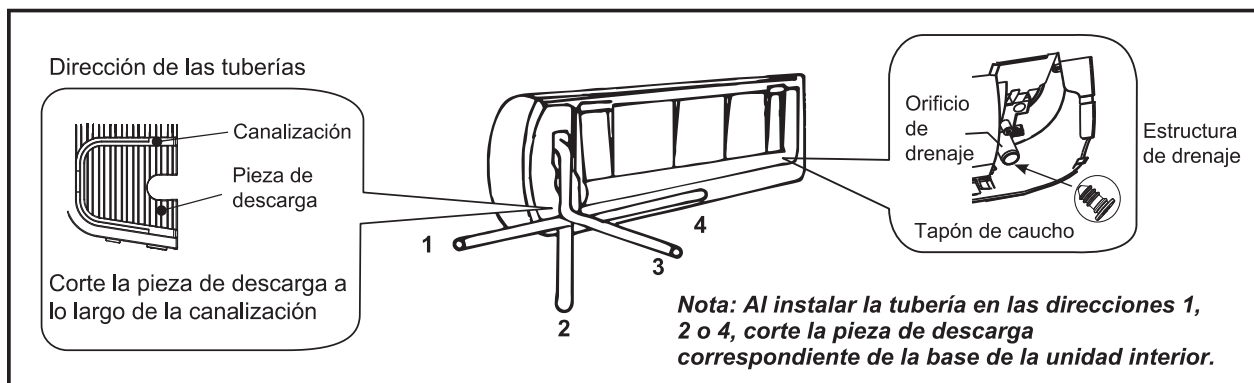


Fig. 3

Instrucciones de instalación

Instalación de la unidad interior

Nota: La estructura de drenaje de ambos lados es estándar. Puede elegirse conectar el drenaje en el lado derecho, izquierdo o a ambos lados. Si elige conectar el drenaje a ambos lados, será necesaria otra manguera de drenaje adecuada ya que solo se incluye una manguera de drenaje de fábrica. Si elige conectar el drenaje en un lado, asegúrese de que el orificio de drenaje del otro lado esté bien taponado.

- Pase las tuberías (de líquido y de gas) y los cables a través del orificio de la pared desde el exterior.
 - 1) Corte la tubería de líquido y la tubería de gas a la longitud correcta según la marca de posición de la placa de montaje en pared (Fig. 4). Compruebe que el corte sea plano (Fig. 5).

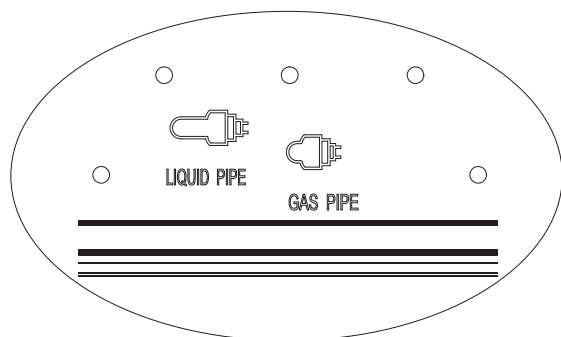


Fig. 4

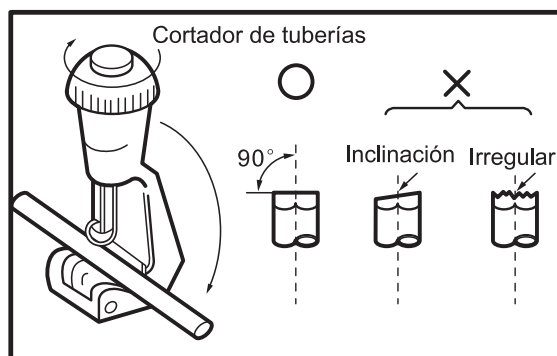


Fig. 5

- 2) Elimine la rebaba de los bordes cortados. Mantenga la salida de la tubería hacia abajo para evitar que entre polvo de metal en la tubería (Fig. 6).
- 3) Ensanche las tuberías. Inserte la salida de la tubería en la tuerca de cobre antes de ensanchar la tubería. Asegúrese de que el orificio esté plano con una superficie saneada y un grosor uniforme. (Fig. 7)

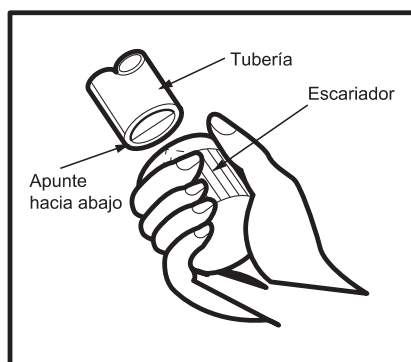


Fig. 6

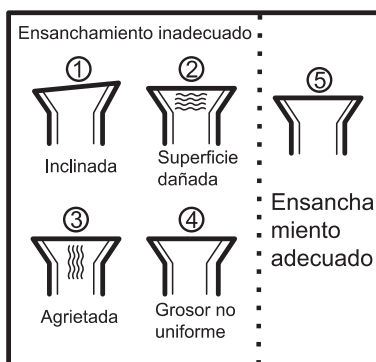


Fig. 7

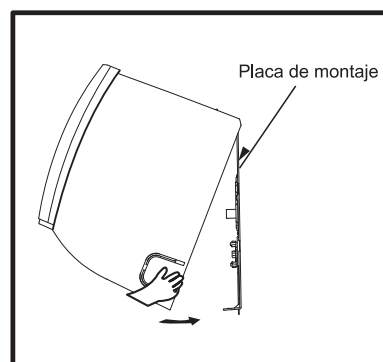


Fig. 8

4. Instalación de las tuberías de la unidad interior

- 1) Cuelgue la unidad en la placa de montaje (Fig. 8).

Instrucciones de instalación

Instalación de la unidad interior

- 2) En la posición A, abra el panel frontal como se muestra en la Fig. 9.
- 3) En la posición B, abra las tapas de los tornillos como se muestra en la Fig. 10 y retire los tornillos.
(Nota: En algunos modelos deberá retirar 3 tornillos.)
- 4) En la posición C, abra la carcasa frontal como se muestra en la Fig. 11. Después, en la posición D, empuje los amortiguadores para evitar que la carcasa frontal caiga, como se muestra en la Fig. 12.

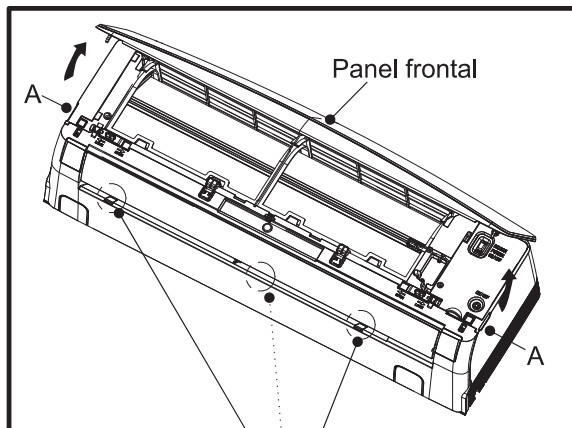


Fig. 9

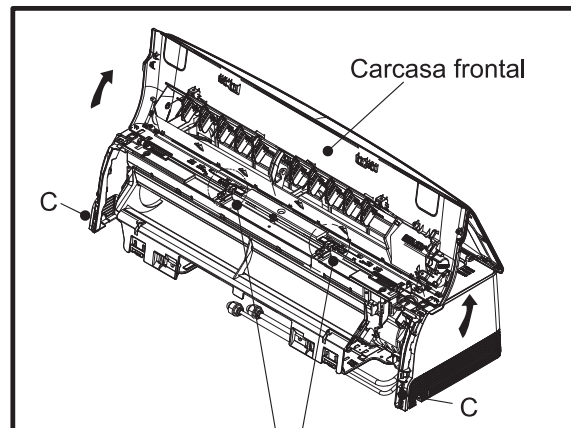


Fig. 11

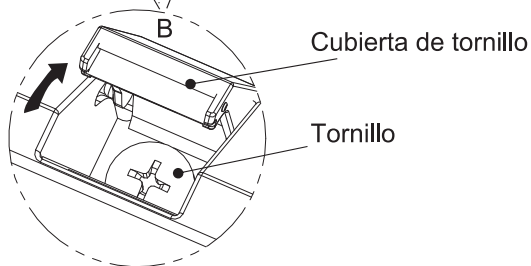


Fig. 10

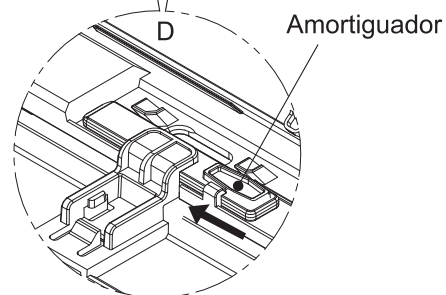


Fig. 12

- 5) Utilice la placa de soporte para mover la unidad paso a paso hasta llegar a la mejor ubicación (Fig. 13 y Fig. 14).

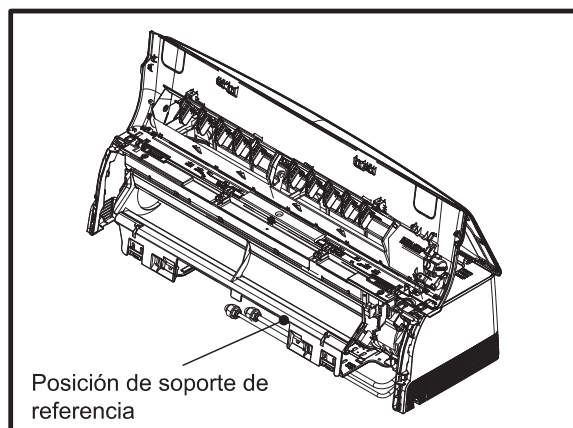


Fig. 13

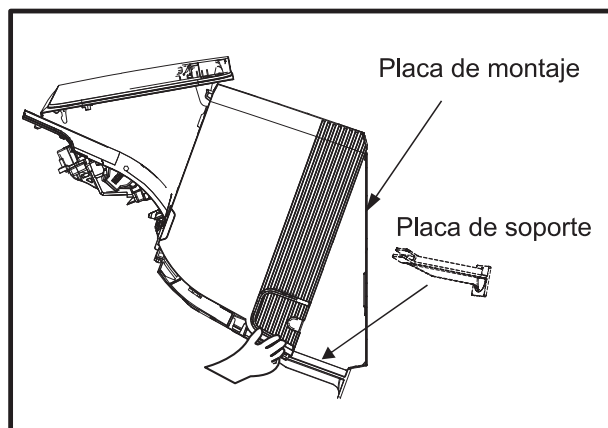


Fig. 14

Nota: Las cifras de este manual podrían diferir de las del climatizador que haya seleccionado.

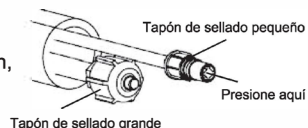
Instrucciones de instalación

Instalación de la unidad interior

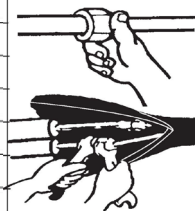
6) Conecte las tuberías.

Conexión de la tubería:

- Antes de desatomillar los tapones de sellado grande y pequeño, presione el tapón de sellado con el dedo hasta que el ruido de salida pare y, a continuación, suelte el dedo.
 - Conecte las tuberías de la unidad interior con dos llaves. Preste especial atención al par permitido mostrado a continuación para evitar que las tuberías, los conectores y las tuercas cónicas se deformen y resulten dañadas.
 - Apriételas previamente con los dedos primero y después utilice las llaves.
- ☑ Si no escucha el ruido de salida, póngase en contacto con el distribuidor.



Modelo	Tamaño de la tubería	Par	Ancho de tuerca	Grosor mín.
7K-18K	Lado del líquido (φ6 o 1/4)	15~20N·m o 11~15pies-libras	17 o 5/8	0.5 o 0.02
24K-36K	Lado del líquido (φ9.53 o 3/8)	30~35N·m o 22~26pies-libras	22 o 7/8	0.6 o 0.024
7K-12K	Lado del gas (φ9.53 o 3/8)	30~35N·m o 22~26pies-libras	22 o 7/8	0.6 o 0.024
18K	Lado del gas (φ12 o 1/2)	50~55N·m o 37~41pies-libras	24 o 0.94	0.6 o 0.024
24K-36K	Lado del gas (φ16 o 5/8)	60~65N·m o 44~48pies-libras	27 o 1.1	0.6 o 0.024
36K	Lado del gas (φ19 o 3/4)	70~75N·m o 52~55pies-libras	32 o 1.26	1.0 o 0.039



NOTA: Las dimensiones son en "mm o pulgadas" a menos que se indique de otro modo en la tabla.

- 7) Después de conectar las tuberías según sea necesario, instale la manguera de drenaje. A continuación, conecte los cables eléctricos. Después de conectarlos, envuelva las tuberías, los cables y la manguera de drenaje con materiales de aislamiento térmico (Fig. 15-Fig. 17).

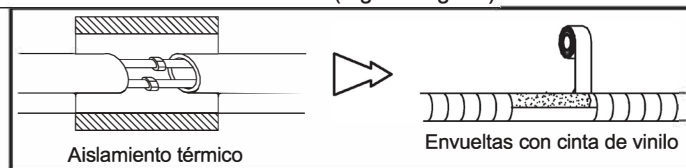


Fig. 15

Nota: Envuelva las juntas de las tuberías con materiales de aislamiento térmico y después envuélvalas con cinta de vinilo.

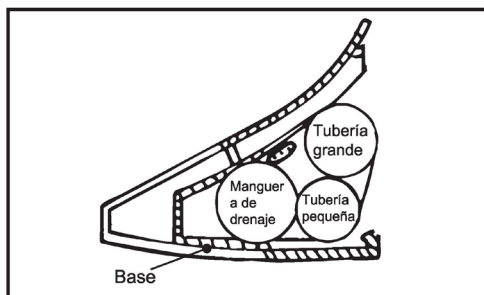


Fig. 16

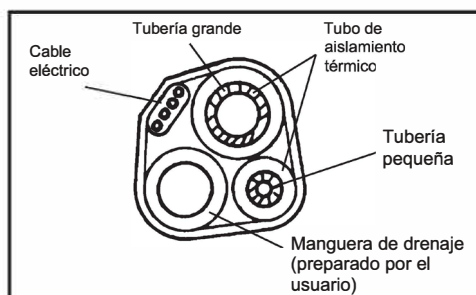


Fig. 17

Nota: Coloque la manguera de drenaje bajo las tuberías.

Nota: El material de aislamiento utiliza espuma de polietileno de más de 6 mm de grosor.

Nota: El usuario prepara la manguera de drenaje.

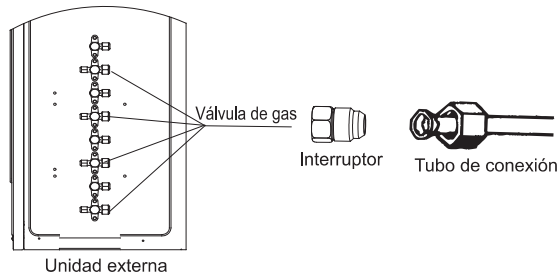
Nota: Las cifras de este manual podrían diferir de las del climatizador que haya seleccionado.

Instalación de la unidad interior



La unidad interna de 18/24K incluye un interruptor sólo para las unidades internas de 18/24K. Puede cambiar el tubo de conexión de gas de 9,52 a tubo de conexión de 12,7.

Se instala en la unidad externa.



8) Conecte el cable de alimentación eléctrica (Fig. 18).

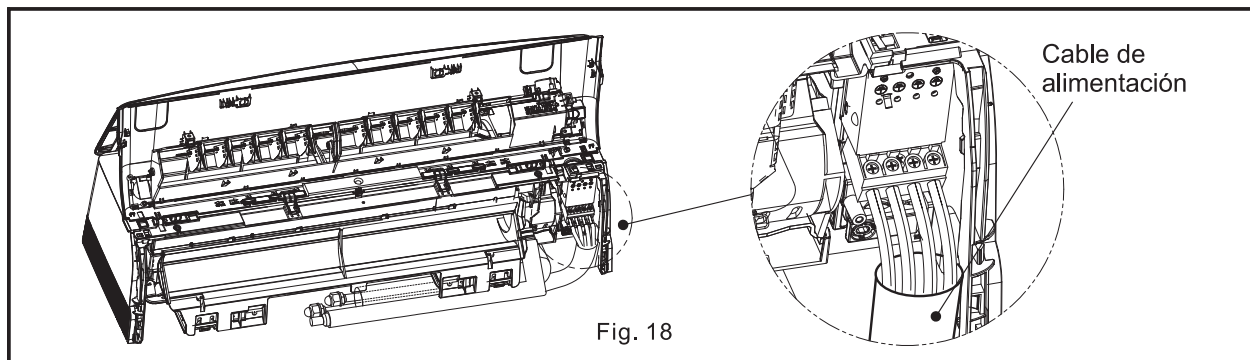


Fig. 18

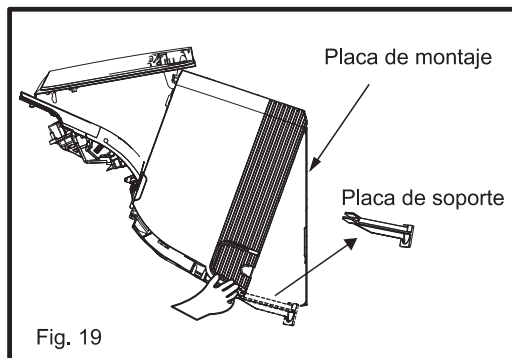


Fig. 19

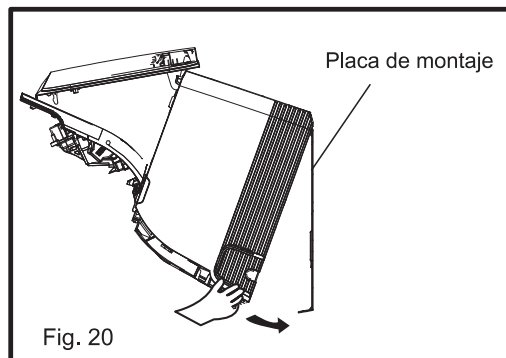


Fig. 20

9) Retire la placa de soporte como se muestra en la Fig. 19. A continuación, mueva la unidad paso a paso para conseguir la mejor instalación y, después, presione las 2 hebillas del conducto de aire en las 2 ranuras de la placa de montaje

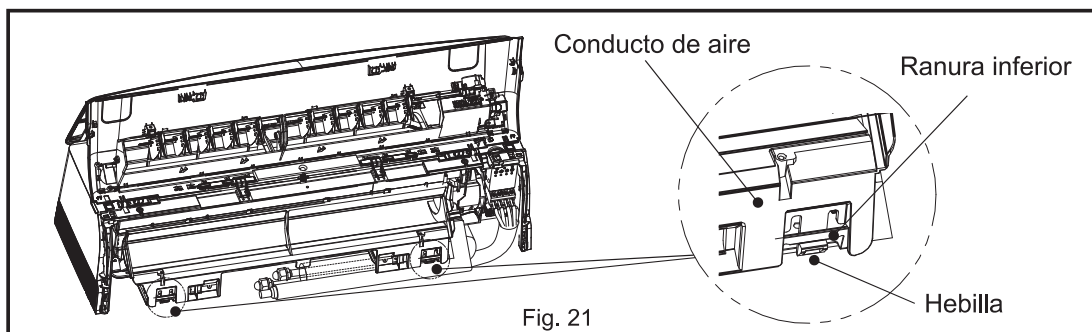


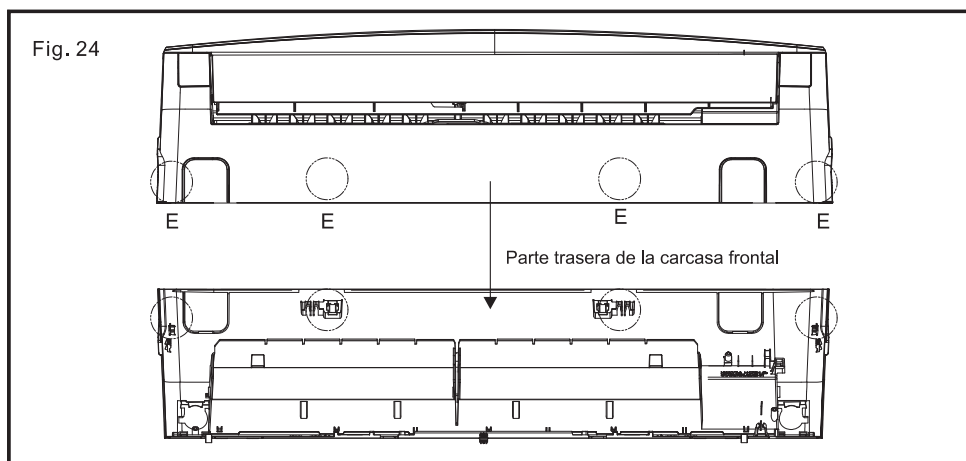
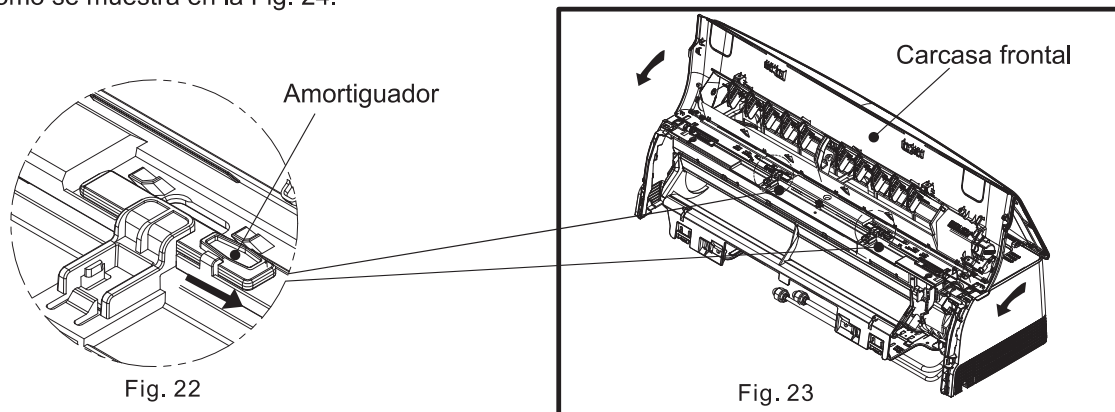
Fig. 21

Nota: Las cifras de este manual podrían diferir de las del climatizador que haya seleccionado.

Instrucciones de instalación

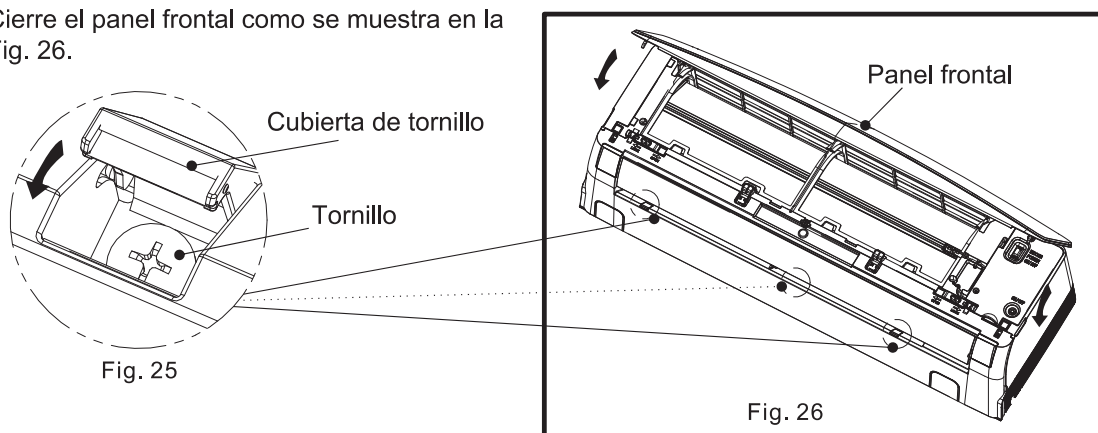
Instalación de la unidad interior

10) Estire de los amortiguadores como se muestra en la Fig. 22. Cierre la carcasa frontal como se muestra en la Fig. 23. A continuación, presione la posición E para apretar la carcasa frontal como se muestra en la Fig. 24.



11) Instale los tornillos y cierre las tapas de los tornillos como se muestra en la Fig. 25. (Nota: En algunos modelos deberá instalar 3 tornillos.)

12) Cierre el panel frontal como se muestra en la Fig. 26.



Nota: Las cifras de este manual podrían diferir de las del climatizador que haya seleccionado.

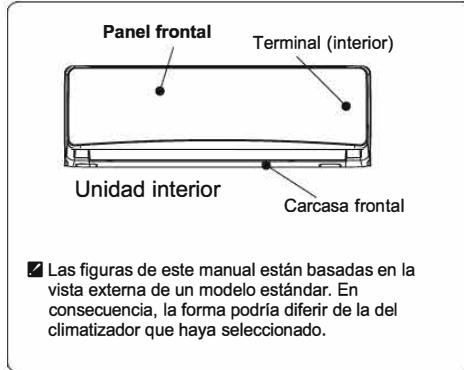
Instrucciones de instalación

Alimentación y cableado

Conectar el cable

• Unidad interior

Conecte el cable eléctrico con la unidad interior conectando individualmente los cables a los terminales del panel de control siguiendo la conexión de la unidad exterior.



Precaución:

1. Utilice siempre un circuito eléctrico individual para el climatizador. Igual que para el método de cableado, consulte el diagrama del circuito incluido en el interior de la puerta de acceso.
2. Confirme que el grosor del cable sea el especificado en la especificación de la fuente de alimentación.
3. Compruebe los cables y asegúrese de que estén ajustados con firmeza después de conectarlos.
4. Asegúrese de instalar un interruptor para fugas de tierra en una zona mojada o húmeda.

Especificación de los cables

Capacidad (Btuh)	Cable de alimentación	
	Tipo	Áreas transversales normales
7K-12K(208/230V)	SJ TW	4X14 AWG
18K(208/230V)	SJ TW	4X14 AWG
24K-36K(208/230V)	SJ TW	4X14 AWG
9K, 12K(115V)	SJ TW	4X14 AWG

Atención:

El enchufe debe estar accesible incluso después de instalar el aparato en caso de que sea necesario desconectarlo. Si no fuera posible, conecte el aparato a un dispositivo interruptor de dos polos con una separación de contacto de al menos 3 mm colocado en una posición accesible incluso después de la instalación.

Instrucciones de instalación

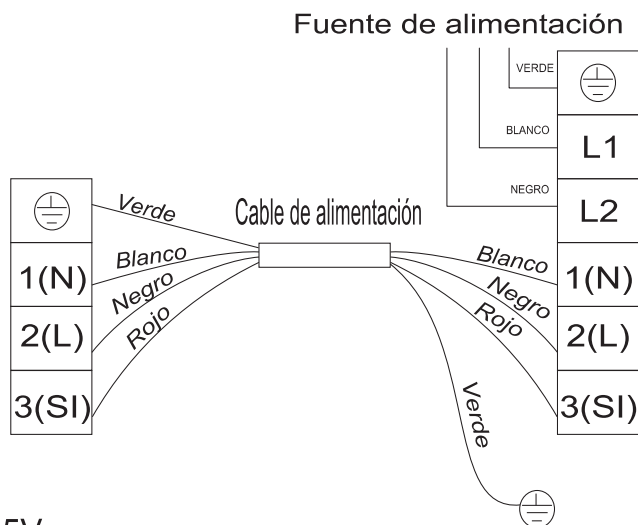
Diagrama de cableado

Asegúrese de que el color de los cables de la unidad exterior y el n.º de terminal sean iguales que los de la unidad interior.

1) 208/230V

Terminal de la unidad interior

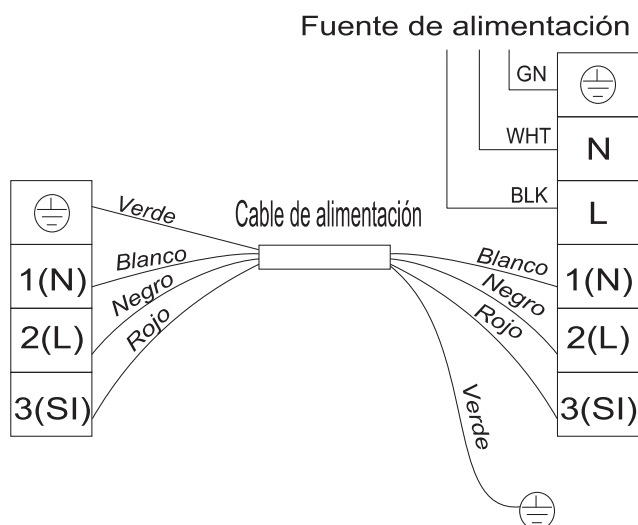
Terminal de la unidad exterior



2) 115V

Terminal de la unidad interior

Terminal de la unidad exterior



■ El diagrama es solo de referencia; se deben seguir los terminales reales del producto.

Puesta en marcha

Operación de prueba

Realice una operación de prueba después de completar la comprobación de fuga de gases y de seguridad eléctrica.

1. Conecte la electricidad de la unidad exterior.
2. Pulse el botón de encendido/apagado del mando a distancia para comenzar la prueba.
3. Pulse el botón MODO y seleccione los modos ENFRIAMIENTO, CALENTAMIENTO y VENTILADOR para confirmar todas las funciones.

Comprobaciones del sistema

1. Oculte las tuberías de refrigerante cuando sea posible.
2. Asegúrese de que haya una pendiente de descenso en toda la longitud de la manguera de drenaje.
3. Compruebe que las tuberías de refrigerante y las conexiones estén correctamente aisladas.
4. Apriete las tuberías a la pared exterior cuando sea posible.
5. Selle e impermeabilice el orificio de la pared por donde pasan los cables de conexión y las tuberías de refrigerante.

Unidad interior

1. ¿Funcionan correctamente todos los botones del mando a distancia?
2. ¿Funcionan correctamente las luces de la pantalla?
3. Funciona correctamente la rejilla oscilante?
4. ¿Funciona el desagüe?

Unidad exterior

1. Pulse el botón de modo para elegir ENFRIAR y ajuste la temperatura de la sala a 61 °F (16 °C) y espere 3 minutos para que el compresor funcione. ¿Se encienden el compresor y el ventilador exterior en modo de enfriamiento?
2. Pulse el botón de modo para elegir CALENTAR y ajuste la temperatura de la sala a 85 °F (30 °C) y espere 3 minutos para que el compresor funcione. ¿Se encienden el compresor y el ventilador exterior en modo de calentamiento?

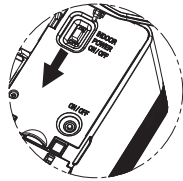
 **Nota:** Al presionar y mantener el botón “MODE” y el botón “” juntos por 3 segundos, se alternará la pantalla de la temperatura entre la escala °C y °F.

Cuidado y mantenimiento

Panel frontal y mantenimiento de carcasa

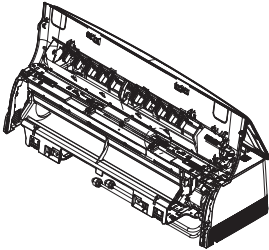
- 1** Interrumpa la alimentación moviendo el interruptor en la dirección de la flecha.

Nota: Primero apague el aparato antes de desconectar la alimentación eléctrica.



- 2**

Abra el panel frontal y la carcasa frontal, consulte las Fig. 9-Fig. 12 de INSTALACIÓN DE LA UNIDAD INTERIOR.



- 3** Límpiela con un paño suave y seco.

Utilice un paño húmedo para limpiar el panel frontal si estuviera sucio.



Utilice un paño seco y suave para limpiarlo.

- 4** Nunca utilice sustancias volátiles, como gasolina ni polvo para pulido para limpiar el aparato.



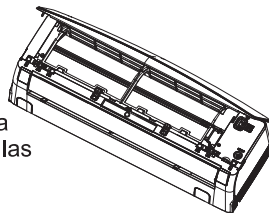
- 5** Nunca rocíe agua sobre la unidad interior.



¡Es peligroso! ¡Podría haber descargas eléctricas!

- 6**

Cierre el panel frontal y la carcasa frontal, consulte las Fig. 22-Fig. 26 de INSTALACIÓN DE LA UNIDAD INTERIOR.

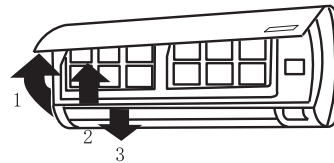


Mantenimiento del filtro de aire

Es necesario limpiar el filtro de aire cuando se ha utilizado aproximadamente 200 horas.

Límpielo de la siguiente forma:

- 1** Detenga el aparato y retire el filtro de aire.



1. Abra el panel frontal.
2. Presione el asa del filtro suavemente desde delante.
3. Agarre el asa y deslícelo fuera del filtro.

- 2** Limpie y vuelva a instalar el filtro de aire.

Si hubiera suciedad evidente, lávelo con una solución de detergente en agua templada. Después de limpiarlo, déjelo secar bien a la sombra.



- 3** Vuelva a cerrar el panel frontal.

☑ Limpie el filtro de aire cada dos semanas si el climatizador funciona en un entorno muy polvoriento.

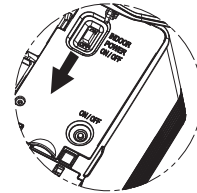
 El siguiente procedimiento es de limpieza profunda y debe realizarlo un profesional.

 Los usuarios tienen estrictamente prohibido realizarlo personalmente, de lo contrario, será bajo su propio riesgo.

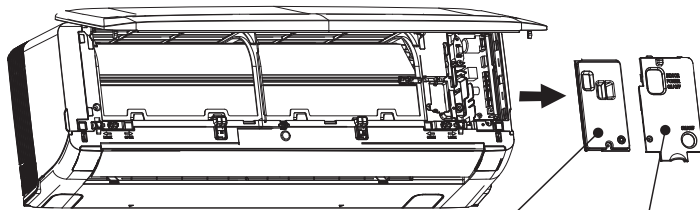
Mantenimiento de la carcasa frontal, el conducto de aire y el ventilador

- 1** Interrumpa la alimentación moviendo el interruptor en la dirección de la flecha.

Nota: Primero apague el aparato antes de desconectar la alimentación eléctrica.

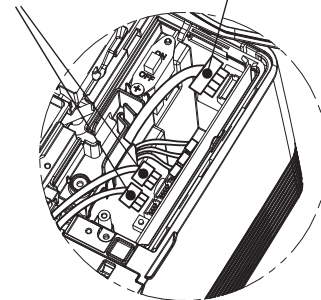


- 2** 1. Retire la cubierta de los cables y la cubierta de la caja eléctrica.
2. Desconecte el cable del motor del ventilador y el cable del motor de la rejilla.



Cubierta de la caja eléctrica

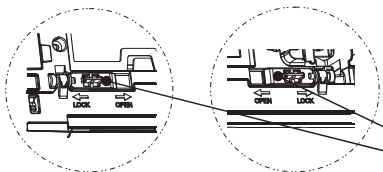
Cable del motor del ventilador
Cable del motor de la rejilla



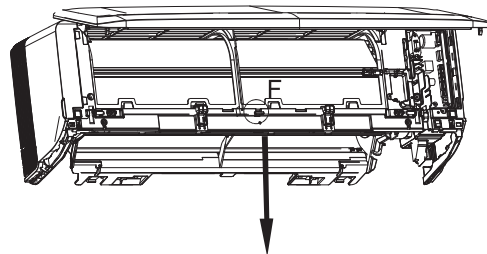
cubierta de cableado

- 3** 1. Abra las cubiertas de los tornillos y retire los tornillos. Consulte la Fig. 10 de **INSTALACIÓN DE LA UNIDAD INTERIOR**.
2. Abra los ejes de límite.
3. Retire la carcasa frontal para limpiarla.

Nota: Preste atención al límite de la posición F, algunos modelos tienen dos lugares.
Nota: cuando desee limpiar la carcasa frontal con agua, primero debe retirar todos los motores de la carcasa frontal.



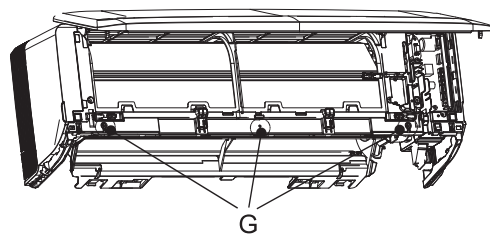
Eje de límite



Carcasa frontal

- 4** Retire los tornillos del conducto de aire (posición G y posición H).

Nota: Los modelos de la serie 808 no tienen tornillos en la posición H.



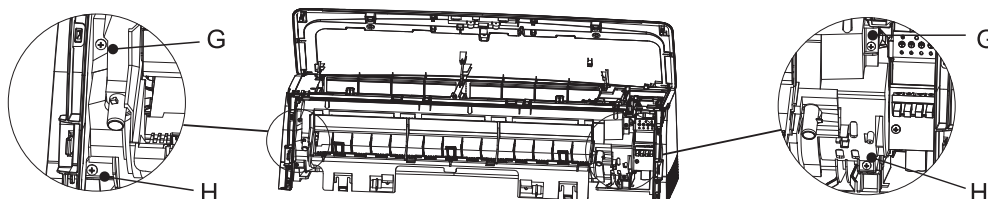
G

- ⚠ El siguiente procedimiento es de limpieza profunda y debe realizarlo un profesional.
- ⚠ Los usuarios tienen estrictamente prohibido realizarlo personalmente, de lo contrario, será bajo su propio riesgo.

Mantenimiento de la carcasa frontal, el conducto de aire y el ventilador

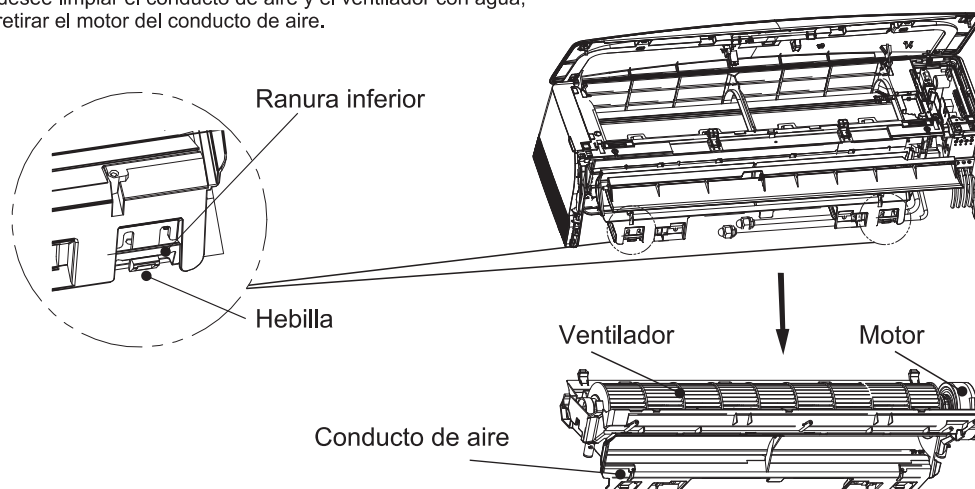
4 Retire los tornillos del conducto de aire (posición G y posición H).

Nota: Los modelos de la serie 808 no tienen tornillos en la posición H.



5 1. Presione las 2 hebillas del conducto de aire para soltarlo de las 2 ranuras de la placa de montaje. 2. Retire el conducto de aire.

Nota: cuando desee limpiar el conducto de aire y el ventilador con agua, primero debe retirar el motor del conducto de aire.



6 Después de limpiarla, instala la máquina siguiendo en orden inverso la secuencia de desmontaje.

Nota: Si se lavan la carcasa frontal, el conducto de aire y el ventilador con agua, deben secarse bien antes de volver a instalarlos.

Condiciones de funcionamiento

El dispositivo protector podría fallar y detener el aparato en los casos siguientes.

CALEFACCIÓN	La temperatura del aire exterior es superior a 75 °F (24 °C)
	La temperatura del aire exterior es inferior a -4°F (-20°C)
	La temperatura ambiente es superior a 80,6 °F (27 °C)
REFRIGERACIÓN	La temperatura del aire exterior es superior a 115 °F (46 °C)
	La temperatura ambiente es inferior a 70 °F (21 °C)
SECO	La temperatura ambiente es inferior a 64,5 °F (18 °C)

* Para modelos de condiciones climáticas tropicales (T3), el punto de temperatura es de 131 °F (55 °C) en lugar de 109 °F (43 °C). La temperatura de algunos productos puede estar fuera del rango. Para casos específicos, consulte con el distribuidor.

* Los modelos con refrigerante R32 pueden mantener la calefacción a una temperatura ambiente exterior de -4°F(-20°C), los modelos con refrigerante R454B pueden mantener la calefacción a una temperatura ambiente exterior de -13°F(-25°C). Para algunos modelos, la calefacción se puede mantener incluso en ambientes exteriores más bajos.

Si el aire acondicionado funciona en modo REFRIGERACIÓN o SECO con una puerta o ventana abierta durante mucho rato, cuando la humedad supere el 80 %, podría gotear condensación de la salida de aire.

Contaminación acústica

- Instale el climatizador en un lugar que pueda soportar su peso para utilizarlo de forma más silenciosa.
- Instale la unidad exterior en un lugar donde el aire descargado y el ruido del funcionamiento no molesten a los vecinos.
- No coloque obstáculos frente a la salida de aire de la unidad exterior, ya que ello incrementaría el nivel de ruido.

Características del protector

El dispositivo protector funcionará en los siguientes casos.

- 1 Para reiniciar la unidad después de detenerla o cambiar de modo durante el funcionamiento, deberá esperar 3 minutos.
- 2 Si se detiene el funcionamiento completamente, vuelva a pulsar el botón de **encendido/apagado** para reiniciarla. Deberá volver a ajustar el temporizador si se ha cancelado.

Características del modo CALEFACCIÓN

Pre calentamiento

Al comienzo de la operación de CALEFACCIÓN, el flujo de aire de la unidad interior se descarga al cabo de unos 2-5 minutos.

Descongelación

En modo **CALEFACCIÓN**, el aparato se descongelará automáticamente para mejorar la eficiencia. Este procedimiento dura habitualmente 2-10 minutos. Durante la descongelación, los ventiladores dejan de funcionar.

Una vez completada la descongelación, vuelve automáticamente al modo **CALEFACCIÓN**.

Nota: El modo de Calefacción NO está disponible en climatizadores de solo frío Modelo.

Consejos de ahorro de energía

1. La temperatura ambiente para relajarse durante la noche es correcta: Durante las horas de sueño no se necesita el mismo nivel de enfriamiento o calentamiento. Intente usar el modo Sueño para relajar gradualmente la temperatura ambiente y permitir que la unidad funcione menos y ahorre energía.

2. Cortinas y persianas: En verano, deberá bloquear los efectos del sol. Cierre las cortinas y persianas de las ventanas de los lados sur y oeste del hogar para ayudar a bloquear el calor solar. En invierno, el sol será su amigo. Abra cortinas y persianas para permitir que entre el calor solar en la habitación.

3. Cierre las puertas: Si no necesita calentar o enfriar toda la casa, confine el calentamiento y el enfriamiento a una sala cerrando puertas. Limite el espacio que calienta o enfría a la capacidad especificada de la unidad.

4. Mantenimiento de la unidad: Es posible que solo necesite realizar un mantenimiento básico. A la unidad exterior le irá bien limpiarla rociándola con una manguera, especialmente en áreas con árboles donde semillas y otros restos puedan engancharse a las aletas de las bobinas y hacer que la unidad deba trabajar más.

5. Reorganice la sala: Si hay muebles que obstruyan el flujo de aire quizá se esté calentando o enfriando el respaldo de una silla o la parte delantera de una sofá en lugar de el espacio de vivienda en sí. Utilice las rejillas oscilantes para ayudar a dirigir el aire en la dirección correcta de la sala. Retire o reorganice los obstáculos que bloqueen el flujo de aire.

6. Pruebe 75 grados: 75 °C (24 °C) es un buen punto para que el climatizador funcione a su nivel de rendimiento óptimo. Incluso un cambio de 1 grado de la temperatura puede hacer que la unidad utilice más energía!

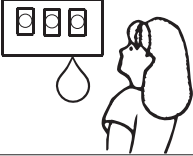



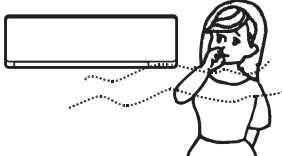
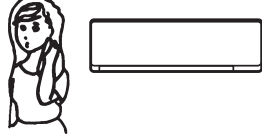
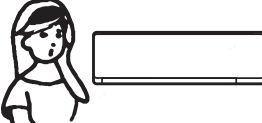
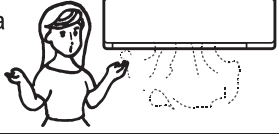
7. Iluminación: Apague las luces para ayudar a reducir el calor. Cada bombilla es un pequeño calentador. El climatizador debe emplear energía para compensar el calor de las luces y mantener la temperatura deseada de la sala.

8. ¿Hay alguien en casa? Si fuera posible, cuando esté ausente ponga la unidad en modo Automático y asegúrese de cerrar las ventanas y cortinas. Aunque la temperatura ambiente será incómoda durante unos minutos cuando vuelva a casa, la unidad la pondrá a su temperatura deseada en poco tiempo.

9. No olvide el ventilador: El ventilador es muy parecido a un coche. Cuanto más rápido funciona, más energía consume. Algunas veces necesitamos que el coche vaya más rápido, pero ir lento es lo bastante bueno la mayoría de veces. Intente ahorrar dinero utilizando la velocidad del ventilador lenta, cómoda y silenciosa lo máximo posible.

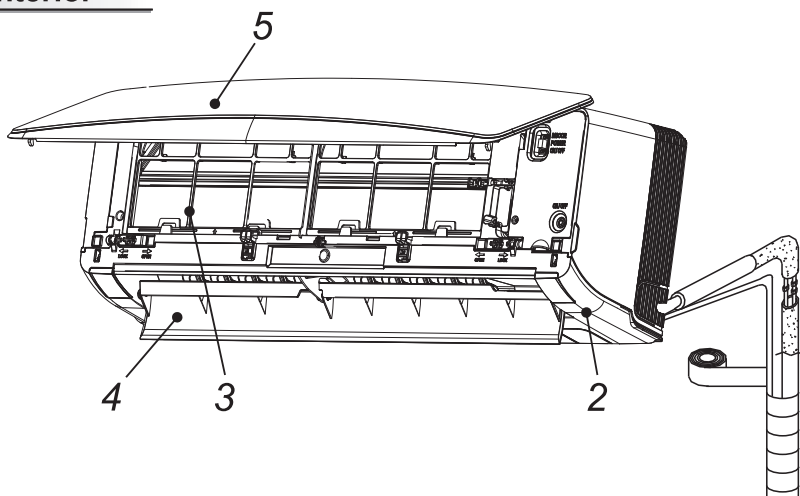
Resolución de problemas

Puede que los siguientes casos no siempre sean un malfuncionamiento, verificar antes de preguntar al servicio.

Problema	Análisis																											
<p>No funciona</p> 	<ul style="list-style-type: none"> • Si el protector se activa o si el fusible se quemó. • Espere 3 minutos e inicie nuevamente, el dispositivo de protección puede evitar que la unidad funcione. • Si las pilas del control remoto se agotaron. • Si el conector no está correctamente conectado. 																											
<p>No hay aire frío o caliente</p> 	<ul style="list-style-type: none"> • ¿Está sucio el filtro de aire? • ¿La entrada y salida de aire del aire acondicionado están bloqueadas? • ¿Están las ventanas y puertas abiertas? 																											
<p>Control no efectivo</p> 	<ul style="list-style-type: none"> • Si hay una fuerte interferencia (desde la descarga de electricidad excesiva o anomalía del voltaje del suministro de energía), el electrodoméstico puede no funcionar de manera normal. Desconectar el suministro de energía y conectarla 2-3 horas después. 																											
<p>No funciona inmediatamente</p> 	<ul style="list-style-type: none"> • Cambio de modo durante el funcionamiento, 3 minutos de retraso. 																											
<p>Olor extraño</p> 	<ul style="list-style-type: none"> • Este olor puede provenir de otras fuentes como muebles, cigarrillos, etc., que es succionado por la unidad y lo expulsa con el aire. 																											
<p>Sonido de agua que fluye</p> 	<ul style="list-style-type: none"> • Se produce por el flujo del refrigerante en el aire acondicionado. No es un tema para preocuparse. • Sonido de descongelación durante el modo Heating. 																											
<p>Se escucha un crujido</p> 	<ul style="list-style-type: none"> • El sonido se puede producir por la expansión y contracción del panel delantero debido al cambio de temperatura. 																											
<p>Pulverización de niebla desde la salida</p> 	<ul style="list-style-type: none"> • Aparece niebla cuando el aire de la habitación se enfría mucho. Esto es por el aire frío descargado de la unidad interna durante los modos COOLING o DRY. 																											
<p>El indicador del compresor se ilumina constantemente, el indicador de funcionamiento parpadea y los ventiladores internos se detienen.</p>	<ul style="list-style-type: none"> • La unidad está cambiando del modo Heating al Defrost. El indicador se apagará y volverá al modo Heating. 																											
<p>Interferencia del modo Debido a que todas las unidades internas utilizan una unidad externa, la unidad externa sólo puede funcionar con el mismo modo (calor o frío), por lo tanto, cuando el modo establecido es diferente al modo de la unidad externa con la que está funcionando, se produce una interferencia del modo. Lo siguiente muestra la escena de interferencia del modo.</p>	<table border="1" data-bbox="748 1629 1154 1759"> <thead> <tr> <th></th> <th>frío</th> <th>seco</th> <th>calor</th> <th>ventilador</th> <th></th> </tr> </thead> <tbody> <tr> <td>frío</td> <td>✓</td> <td>✓</td> <td>×</td> <td>✓</td> <td rowspan="4">✓ --- normal × --- interferencia del modo</td> </tr> <tr> <td>seco</td> <td>✓</td> <td>✓</td> <td>×</td> <td>✓</td> </tr> <tr> <td>calor</td> <td>×</td> <td>×</td> <td>✓</td> <td>×</td> </tr> <tr> <td>ventilador</td> <td>✓</td> <td>✓</td> <td>×</td> <td>✓</td> </tr> </tbody> </table> <p data-bbox="748 1770 1351 1854">La unidad externa siempre funciona con el modo de la primera unidad interna que usted enciende. Cuando la configuración del modo de la siguiente unidad interna interfiere con esta, escuchará 3 timbres y la unidad interna interferida con las unidades de funcionamiento normal se apagará automáticamente.</p>		frío	seco	calor	ventilador		frío	✓	✓	×	✓	✓ --- normal × --- interferencia del modo	seco	✓	✓	×	✓	calor	×	×	✓	×	ventilador	✓	✓	×	✓
	frío	seco	calor	ventilador																								
frío	✓	✓	×	✓	✓ --- normal × --- interferencia del modo																							
seco	✓	✓	×	✓																								
calor	×	×	✓	×																								
ventilador	✓	✓	×	✓																								

Identificación de piezas

Unidad interior



Nombre de la pieza

1. Mando a distancia

2. Carcasa frontal

3. Filtro de aire

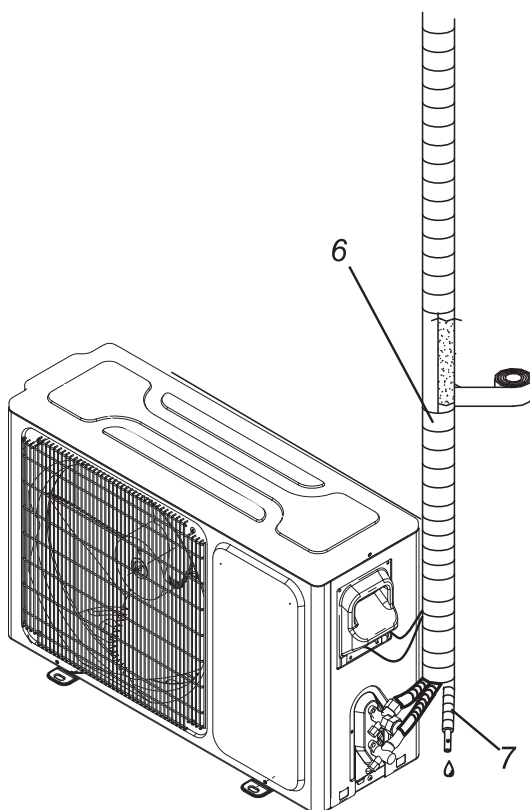
4. Rejilla horizontal

5. Panel frontal

6. Tuberías y cable de alimentación





7. Manguera de drenaje

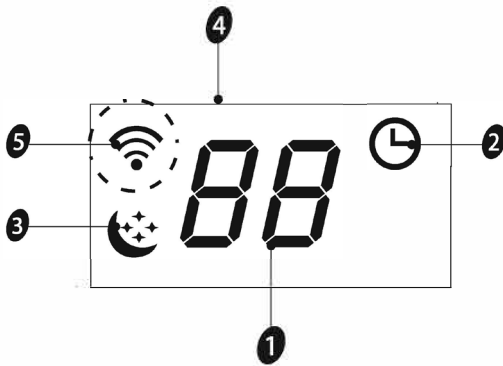
Unidad exterior



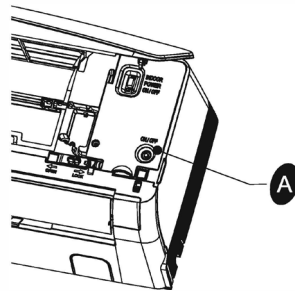
Las figuras de este manual están basadas en la vista externa de un modelo estándar. En consecuencia, la forma podría diferir de la del climatizador que haya seleccionado.

Introducción a la pantalla

- | | |
|---|--|
|  | <p>Indicador de temperatura 1</p> <p>Ver la temperatura ajustada.
Muestra FC después de 200 horas de uso como recordatorio para limpiar el filtro.
Después de limpiar el filtro, pulse el botón ubicado en la unidad interior tras el panel frontal para restablecer la pantalla (opcional).
Muestra la temperatura establecida en modo de humedad (opcional).</p> |
|  | <p>Indicador de temporizador 2</p> <p>Se ilumina durante el tiempo establecido.</p> |
|  | <p>Indicador de modo sueño 3</p> <p>Se ilumina en modo Suspensión.</p> |
|  | <p>Receptor de señal 4</p> <p>Indicador de Wi-Fi inteligente 5</p> <p>Se ilumina cuando el Wi-Fi está encendido.</p> |



Botón de emergencia **A**



ON/OFF Para encender o apagar el AC, pulse el botón.

☑ **Los símbolos pueden ser diferentes en estos modelos, pero las funciones son similares.**

FRANÇAIS

Installation Manual

DUCTLESS SPLIT SYSTEMS

FRANÇAIS



La taille minimale de la pièce (réfrigérant R-32 ou R-454B) est déterminée par la charge totale de réfrigérant dans le système. Utilisez ce tableau pour déterminer la taille minimale de la pièce dans laquelle la tête intérieure peut être installée.

Une minute (pieds carrés)	Hauteur d'installation (pieds et pouces)					
	Mc(oz)	6	6' 6"	7' 2"	7' 10"	8' 2"
64	71	64	58	53	51	
65-71	78	71	64	59	57	
72-77	86	78	71	65	62	
78-85	94	85	77	71	68	
86-92	102	92	83	77	74	
93-99	110	99	90	82	79	
100-106	117	105	96	88	85	

Avant d'installer l'unité, utilisez le tableau ci-dessous pour déterminer la charge totale de réfrigérant de l'unité. Si la charge totale est inférieure à 64 oz. il n'y a aucune restriction en matière de taille de pièce. Si la charge totale dépasse 64 oz. reportez-vous au tableau ci-dessus. Utilisez la charge totale, la hauteur du bas de l'unité et le tableau ci-dessus pour déterminer la superficie minimale de la pièce dans laquelle l'unité

Mc(oz)		Type de réfrigérant	Précharge avec 25	25-50 ft	50-75 ft	add 75-100 ft
Modèle d'unité intérieure	Outdoor Unit Model		pieds de jeu de lignes			
FAHSW09A1C	FHSR09B1C	R-32	21.2	27.7	33.2	N/A
FAHSW12A1C	FHSR12B1C		21.9	27.4	32.9	N/A
FAHFW18A3D	FHSR18B3D		45.9	51.4	56.9	62.4
FAHFW24A3D	FHSR24B3D		47.7	55.7	63.7	71.7
FAHSW36A3D	FHSR36B3D		72.4	83.2	93.9	104.7
FAHM07A3D	Multi-zones	R-454B	Voir Multi-Zone Outdoor Condenser IOM Pour plus de détails sur la restriction de la taille de la pièce et l'application du capteur A2L.			
FAHSW09A1AC	FPHSR09A1C		33.5	39	44.5	N/A
FAHFW09A3D	FPHSR09A3D		35.3	40.8	46.3	N/A
FAHSW12A1C	FPHSR12A1C		35.3	40.8	46.3	N/A
FAHFW12A3D	FPHSR12A3D		38.1	43.6	49.1	N/A
FAHFW18A3D	FPHSR18A3D		52.9	58.4	63.9	69.4
FAHFW24A3D	FPHSR24A3D		70.6	78.6	86.6	94.6

Lors de l'ajout de réfrigérant au système pour un jeu de conduites supplémentaire, reportez-vous à la plaque signalétique du modèle et aux instructions d'installation de l'unité extérieure pour connaître la quantité de charge appropriée.

FRANÇAIS

Contenu

Instructions de sécurité	1
Préparation avant utilisation	3
Préréglage	3
Préservation de l'environnement	3
Mesures de sécurité	4
Instructions d'installation	6
Schéma d'installation	6
Instructions sur site	6
Outils suggérés	7
Installation de l'unité intérieure	8
Alimentation et câblage	16
Démarrage	18
Entretien et maintenance	19
Protection	22
Conseils pour économiser de l'énergie	23
Dépannage	24
Identification des pièces	25
Unité intérieure	25
Unité extérieure	25
Introduction de l'affichage	26

Pour l'unité intérieure seulement, veuillez vous référer aux INSTRUCTIONS D'UTILISATION ET DE MONTAGE de l'unité extérieure pour l'unité extérieure.

Instructions de fonctionnement de la télécommande. Voir « *Instructions de la télécommande* »

Instructions de sécurité

- 1. Pour garantir que l'unité fonctionne normalement, veuillez lire soigneusement ce manuel avant l'installation, et essayez d'effectuer l'installation strictement en conformité avec ce manuel.
- 2. Ne laissez pas d'air entrer dans le système de réfrigération ou le réfrigérant se décharger lorsque vous déplacez le climatiseur.
- 3. Mettez convenablement à la terre le climatiseur.
- 4. Vérifiez soigneusement les câbles de connexion et les tuyaux, assurez-vous qu'ils sont fixés de manière correcte et ferme avant de mettre le climatiseur sous tension.
- 5. Il doit y avoir un interrupteur pneumatique.
- 6. Après l'installation, le consommateur doit faire fonctionner le climatiseur correctement conformément à ce manuel, conserver un espace de stockage adapté pour la maintenance et les déplacements ultérieurs du climatiseur.

- 7. Le fusible de l'unité :

Modèle	Fusible de l'unité intérieure	
9K(115V)	T 3,15A ou T 5A 250 V	
12K(115V)	T 3,15A ou T 5A 250 V	
7K-12K(208/230V)	T 3,15A ou T 5A 250 V	
18K(208/230V)	T 3,15A ou T 5A 250 V	
24K-36K(208/230V)	T 3,15A ou T 5A 250 V	

- 8. Un appareil de courant résiduel (RCD) avec une valeur nominale supérieure à 10 mA evrait être incorporé dans le câblage fixe conformément à la réglementation nationale.
- 9. Attention: Un risque de choc électrique peut provoquer des blessures ou un décès : Déconnectez toutes les alimentations électriques à distance avant la mise en service.
- 10. La meilleure longueur de tuyau de raccord entre l'unité intérieure et l'unité extérieure est inférieure à 7,5 m (24,6 pieds). Cela affectera l'efficacité du climatiseur si la distance est supérieure à cette longueur.
- 11. Cet appareil électrique n'est pas prévu pour être utilisé par des personnes (y compris des enfants) avec des capacités physiques, sensorielles ou mentales réduites, ou un manque d'expérience et de connaissance, à moins qu'elle soit supervisée ou guidée concernant l'utilisation de l'appareil électrique par une personne responsable de leur sécurité. Les enfants doivent être surveillés par un adulte qui doit s'assurer qu'ils ne jouent pas avec l'appareil.
- 12. Cet appareil électrique peut être utilisé par des enfants âgés de 8 ans et plus et des personnes avec des capacités physiques, sensorielles ou mentales réduites, ou ayant un manque d'expérience et de connaissances à condition qu'elles soient supervisées ou guidées concernant l'utilisation de l'appareil électrique de manière sûre et comprennent les risques encourus. Les enfants ne devraient pas jouer avec l'appareil électrique. Le nettoyage et l'entretien utilisateur ne devraient pas être effectués par des enfants sans supervision.
- 13. Les piles dans la télécommande doivent être recyclées ou éliminées correctement. Élimination des piles usagées -- - Veuillez vous débarrasser des piles au point de collecte accessible mis en place pour les déchets municipaux.







FRANÇAIS

Instructions de sécurité

- 14. Si l'appareil électrique est à câblage fixe, l'appareil électrique doit être inséré avec des moyens de déconnexion de l'alimentation principale ayant une séparation de contact dans tous les pôles qui fournissent une déconnexion totale sous les conditions de tensions de la catégorie III, et cela signifie qu'il doit être incorporé dans le câblage fixe conformément aux règles de câblage.
- 15. Si le cordon d'alimentation est endommagé, il doit être remplacé par le fabricant, son agent de service ou une personne qualifiée de manière similaire afin d'éviter tout danger.
- 16. L'appareil électrique doit être installé conformément aux réglementations de sécurité électriques locales et aux Codes électriques nationaux (CEN).
- 17. Le climatiseur doit être installé par des personnes professionnelles et qualifiées.
- 18. L'appareil électrique ne devrait pas être installé dans la buanderie.
- 19. Concernant l'installation, veuillez vous référer à la section « Instructions d'installation ».
- 20. Concernant la maintenance, veuillez vous référer à la section « Entretien et maintenance ».
- 21. Pour les modèles utilisant le réfrigérant R32 et R454B, le raccordement de la tuyauterie doit être effectué du côté extérieur.

Préparation avant utilisation

Remarque :

- 
 • Pour les systèmes multiples, le réfrigérant se réfère à l'unité extérieure multiple.
- 
 • Lors du chargement du réfrigérant dans le système, assurez-vous de le charger à l'état liquide si le réfrigérant de l'appareil est R32 et R454B. Sinon, la composition chimique du réfrigérant (R32 et R454B) à l'intérieur du système peut changer et donc affecter les performances du climatiseur.
- 
 • Selon les caractéristiques du réfrigérant (R32 et R454B, la valeur du PRP est de 675 et 466), la pression du tube est très élevée. Veuillez donc à être prudent lors de l'installation et de la réparation de l'appareil.
- 
 • Si le cordon d'alimentation est endommagé, il doit être remplacé par le fabricant, son agent de service ou une personne qualifiée de manière similaire afin d'éviter tout danger.
- 
 • Le climatiseur doit être installé par des installateurs formés et qualifiés et des mécaniciens posés à l'entretien.
- 
 • La température du circuit réfrigérant sera élevée, veuillez garder le câble d'interconnexion à distance du tube en cuivre.

Préréglage

Avant d'utiliser le climatiseur, assurez-vous de vérifier et de préréglage les points suivants.

• Préréglage de la télécommande

Chaque fois après que les piles de la télécommande aient été remplacées ou que la télécommande ait été mise sous tension, le préréglage automatique de la télécommande actionne la pompe à chaleur. Si le climatiseur que vous avez acheté est un de type refroidissement uniquement, la télécommande de la pompe à chaleur peut aussi être utilisée.

• Fonction de rétroéclairage de la télécommande (optionnel)

Maintenez enfoncé n'importe quel bouton de la télécommande pour activer le rétroéclairage. Il s'éteint automatiquement au bout de 3 secondes.

Remarque : Le rétroéclairage est une fonction optionnelle.

• Préréglage de démarrage automatique

Le climatiseur a une fonction de redémarrage automatique.

Préservation de l'environnement

L'appareil électrique est composé de matériaux recyclables et réutilisables. La mise à la ferraille doit être effectuée conformément aux réglementations locales sur l'enlèvement des ordures. Avant de le mettre à la ferraille, assurez-vous de couper les cordons principaux, afin que l'appareil électrique ne puisse pas être réutilisé. Pour des informations plus détaillées concernant la manipulation et le recyclage de ce produit, contactez vos autorités locales qui gèrent avec le tri sélectif des déchets ou la boutique où vous avez acheté l'appareil électrique.

MISE A LA FERRAILLE DE L'APPAREIL ÉLECTRIQUE

Cet appareil est marqué conformément à la Directive Européenne 2012/19/CE relative aux Déchets d'équipements électriques et électroniques (DEEE).

Ce marquage indique que ce produit ne devrait pas être éliminé avec d'autres déchets domestiques partout en Amérique du Nord. Afin d'éviter tout dommage sur l'environnement et/ou sur la santé humaine, recyclez-le de façon responsable, en favorisant au mieux la réutilisation des ressources. Pour retourner votre appareil usagé, contactez les centres de tri ou le magasin auprès duquel vous avez acheté l'appareil.





Ceux-ci pourront prendre en charge le recyclage de votre appareil.









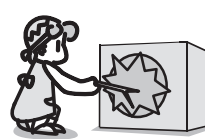





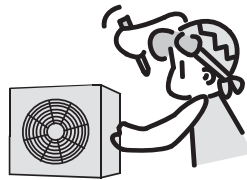

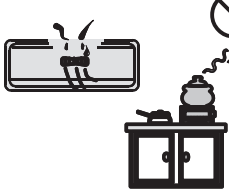

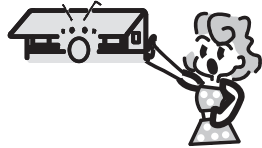

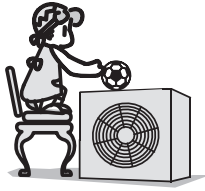





FRANÇAIS

Mesures de sécurité





Les symboles dans ce manuel d'utilisation et d'entretien sont interprétés comme illustré ci-dessous.

-  assurez-vous de ne pas faire ceci.
-  La mise à la terre est essentielle.
-  Faites attention à une telle situation.
-  Attention: Une manipulation incorrecte peut entraîner un danger sérieux, tel que la mort, des blessures graves, etc.

 <p>Utiliser l'alimentation électrique correcte conformément aux exigences de la plaque signalétique. Sinon, des défauts ou des risques graves peuvent se présenter ou un incendie peut se déclencher.</p>	  <p>Gardez le disjoncteur ou la prise d'alimentation à l'abri de la saleté. Branchez le cordon d'alimentation correctement et fermement, de peur qu'une électrocution ou un incendie ne se déclarent en raison d'un contact insuffisant.</p>	  <p>N'utilisez pas le disjoncteur d'alimentation ou ne débranchez pas la prise pour éteindre l'appareil pendant son fonctionnement. Cela peut provoquer un incendie dû à une étincelle, etc.</p>
  <p>Ne pas tricoter, tirer ou piétiner le cordon d'alimentation, de peur que le cordon d'alimentation soit brisé. Un choc électrique ou un incendie est probablement causé par un cordon d'alimentation brisé.</p>	  <p>N'insérez jamais de bâton ou d'obstacle similaire dans l'unité. Étant donné que le ventilateur fonctionne à haute vitesse, cela peut provoquer des blessures.</p>	  <p>Il est dangereux pour votre santé si vous restez sous de l'air frais pendant une longue période. Il est conseillé de laisser que le flux d'air soit dévié dans toute la pièce.</p>
  <p>Arrêtez l'appareil électrique à l'aide de la télécommande d'abord en coupant l'alimentation électrique si un dysfonctionnement se produit.</p>	  <p>N'essayez pas de réparer l'appareil vous-même. Si cela n'est pas fait correctement, il peut provoquer un choc électrique, etc.</p>	  <p>Empêcher le flux d'air d'atteindre les cuisinières et le poêle-chaleur.</p>
  <p>Ne touchez pas les boutons de commande si vos mains sont mouillées.</p>	  <p>Ne placez aucun objet sur l'unité extérieure.</p>	   <p>Il relève de la responsabilité de l'utilisateur de faire mettre l'appareil à la terre par un technicien agréé conformément aux ordonnances et codes locaux.</p>

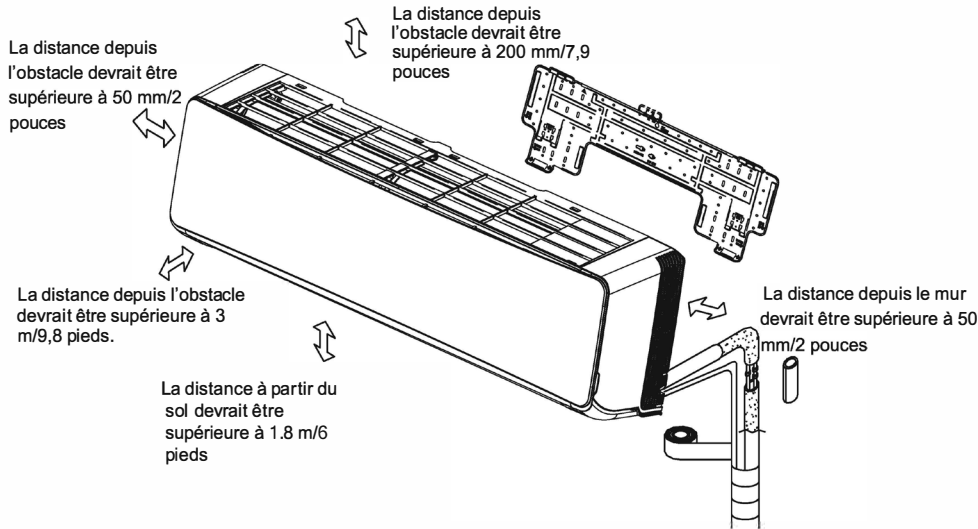
Mesures de sécurité

Explication des symboles utilisés sur l'unité intérieure et sur l'unité extérieure.

 Caution, risk of fire	AVERTISSEMENT	Ce symbole indique que l'appareil utilise un liquide frigorigène inflammable. Si le liquide fuit et est exposé à une source d'inflammation, il existe un risque d'incendie
	ATTENTION	Ce symbole indique que la notice d'utilisation doit être consultée.
	ATTENTION	Ce symbole indique que l'équipement doit être manipulé par un technicien qualifié, conformément aux consignes livrées dans la notice d'installation.
	ATTENTION	Ce symbole indique que des informations supplémentaires sont disponibles dans la notice d'utilisation ou d'installation.
A2L	AVERTISSEMENT	Le réfrigérant est nommé selon la classification de sécurité ASHRAE, avec une faible inflammabilité et une basse toxicité.

Instructions d'installation

Schéma d'installation



Unité Intérieure A

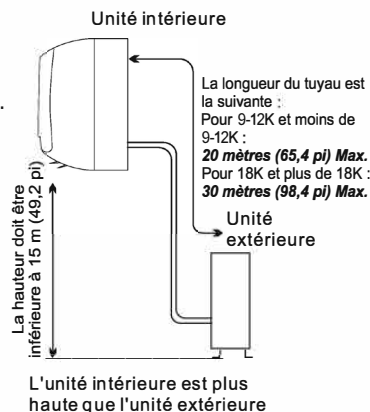


- Le schéma ci-dessus est une représentation simplifiée de l'appareil ; il se peut qu'il ne coïncide pas précisément avec la machine que vous avez achetée.
- L'installation doit être effectuée conformément aux Règlements Nationaux en vigueur, exclusivement par du personnel qualifié.

Consignes relatives au site

Site destiné à accueillir l'unité intérieure

1. Partout où il n'existe aucun obstacle susceptible d'encombrer la sortie d'air et que l'air peut être expulsé sans difficulté.
2. Partout où des conduites peuvent être installées et des trous percés dans les murs.
3. Laissez m'espace nécessaire entre le plafond et l'appareil, et l'appareil et le mur, tel que cela est montré sur le diagramme de la page précédente.
4. Partout où le filtre à air peut être retiré sans difficulté.
5. Maintenez l'appareil ainsi que la télécommande à 1 m (3,28pieds) minimum de la télévision, radio etc.
6. Maintenez l'appareil éloigné au maximum des lampes fluorescentes.
7. Ne rien placer devant l'entrée d'air.
8. Installez l'appareil sur un mur suffisamment solide pour supporter le poids de l'appareil.
9. Installez le dispositif dans un lieu où les bruits et les vibrations ne risquent pas d'être amplifiés.
10. Tenez à l'écart des rayons directs du soleil et des sources de chaleur. Ne placez pas de matériaux inflammables ni d'appareils à combustion sur le dessus de l'appareil.



Pour le montage de l'unité extérieure, faites référence au manuel de montage de l'unité extérieure.

Instructions d'installation

Outils suggérés

Afin d'installer votre climatiseur de manière plus convenable et plus sûre, vous pouvez utiliser ces outils spéciaux listés ci-dessous.



Clé standard



Tournevis



Clés hexagonales ou clés Allen



Clé à molette réglable/en croissant



Clé dynamométrique



Forets et mèches



Collecteur et manomètres



Pompe à aspirer

Pince sur ampèremètre

Niveau

Gants de travail

Lunettes de sécurité

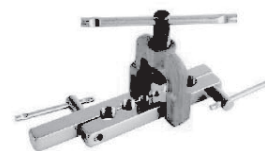
Coupe-tuyau

Graduation pour réfrigérant

Outils évasés pour R410A

Jauge micron

Scie cloche



FRANÇAIS

Instructions d'installation

Installation de l'unité intérieure

1. Installation de la plaque de montage

- 1) Déterminez un emplacement d'installation pour la plaque de montage en fonction de l'emplacement de l'unité intérieure et de la direction du tuyau.
- 2) Trouvez le centre de la plaque de montage conformément à la marque inscrite dessus. Installez ensuite une vis pour la fixer de manière préalable.
- 3) Maintenez la plaque de montage à l'horizontale avec une règle horizontale ou une ligne de chute.
- 4) Percez des trous de 32 mm de profondeur sur le mur pour fixer la plaque.
- 5) Fixez la plaque de montage avec au moins 7 vis autotaraudeuses. Pour certaines plaques de montage avec un support au milieu, un minimum de 8 vis est nécessaire. (Fig. 1).
- 6) Inspectez pour vérifier que la plaque de montage est bien fixée. Ensuite, percez un trou pour les tuyaux.

Remarque : Il est recommandé d'installer des chevilles pour le plâtre, les blocs de béton, les briques et les murs de ce type.

Remarque : Le centre du support de montage peut ne pas être le centre de l'unité intérieure.

Remarque : La forme de la plaque de montage peut être différente de celle ci-dessus, mais la méthode d'installation est similaire.

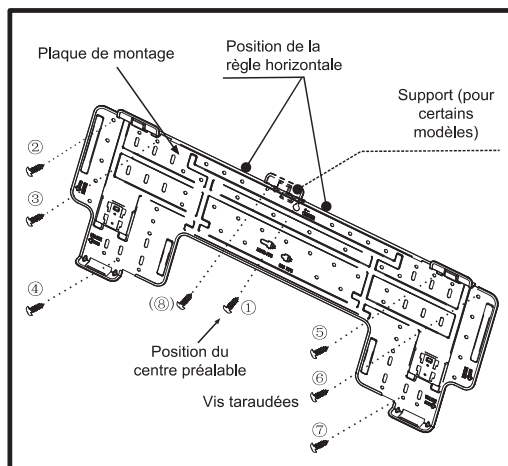
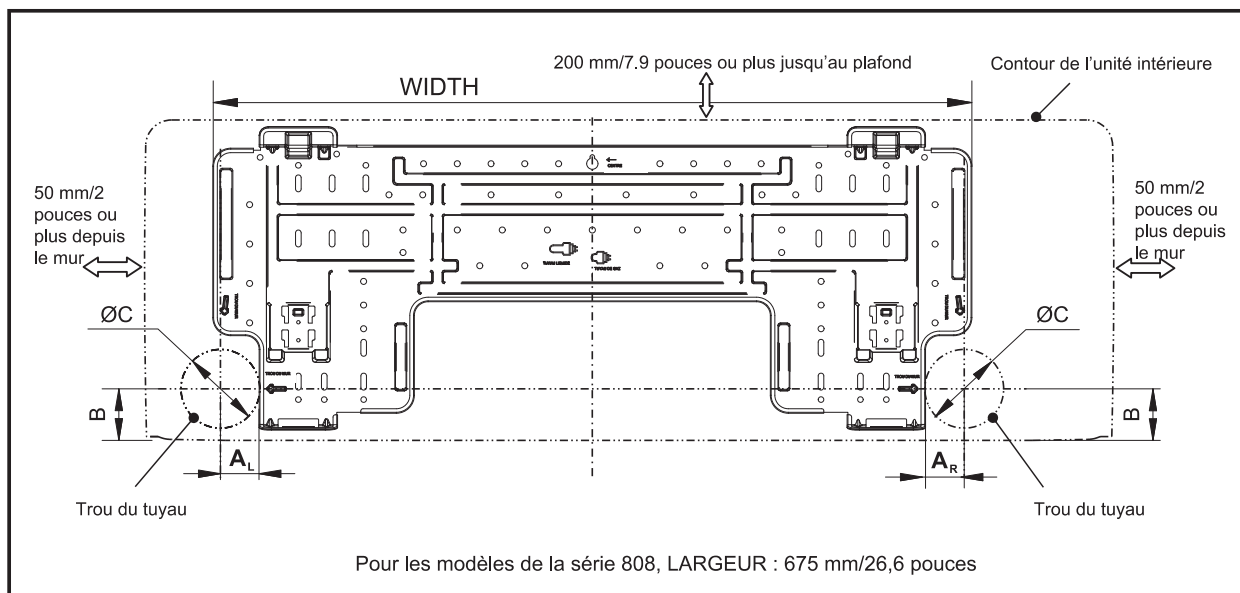


Fig. 1

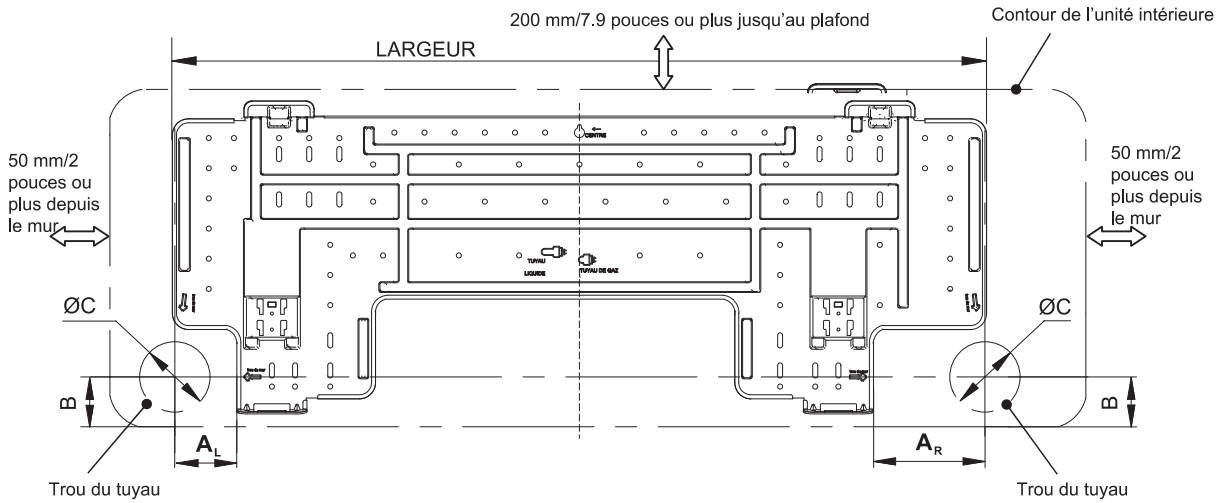
• LES SCHÉMAS ET DIMENSIONS DE LA PLAQUE DE MONTAGE (Recommandés)



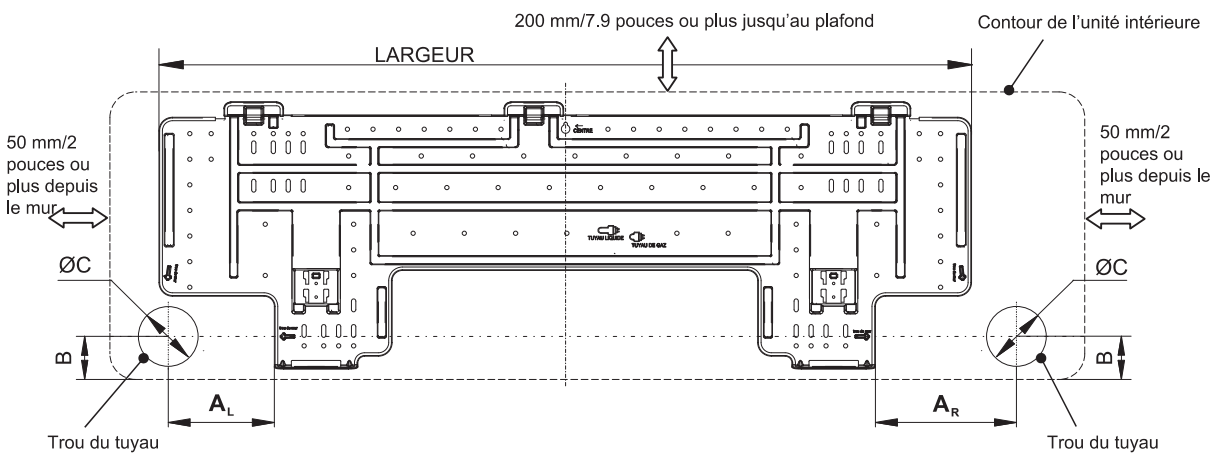
Instructions d'installation

Installation de l'unité intérieure

- LES SCHÉMAS ET DIMENSIONS DE LA PLAQUE DE MONTAGE (Recommandés)



Pour les modèles de la série 908, LARGEUR : 810mm/31,9 pouces



Pour les modèles de la série 1080, LARGEUR : 950mm/37,4 pouces

Installation de l'unité intérieure

Tableau des dimensions de montage du trou du mur par taille d'unité

Modèle d'unité	Taille A _L	Taille A _R	Taille B	Taille C
	mm/in	mm/pouce	mm/pouce	mm/pouce
Série 808	35/1.38	35/1.38	46/1.81	70/2.7
Série 908	62/2.44	110/4.33	49/1.93	70/2.7
Série 1080	124/4.88	165/6.50	50/1.97	70/2.7

2. Percez un trou pour les tuyaux

- 1) Décidez de la position du trou pour les tuyaux en fonction de l'emplacement de la plaque de montage.
- 2) Percez un trou dans le mur. Le trou devrait être incliné un peu vers le bas, vers l'extérieur.
- 3) Installez une gaine à travers le trou du mur pour que le mur reste propre. (Fig. 2).

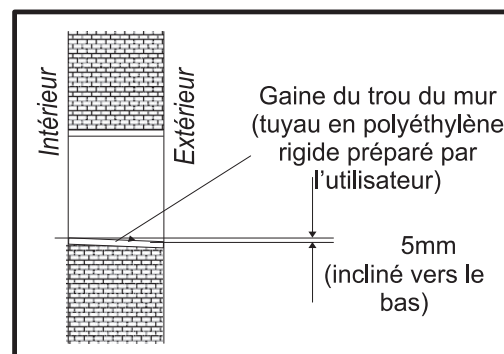


Fig. 2

3. Dispositions concernant les tuyaux

- 1) Mettez les tuyaux (tuyau de liquide et de gaz) et les câbles à travers le trou du mur depuis l'extérieur et faites les passer jusqu'à l'intérieur après avoir complété le raccord des tuyaux et des câbles pour connecter l'unité extérieure.
- 2) Décidez ou non de scier la pièce de déchargement conformément à la direction du tuyau. (Fig. 3).

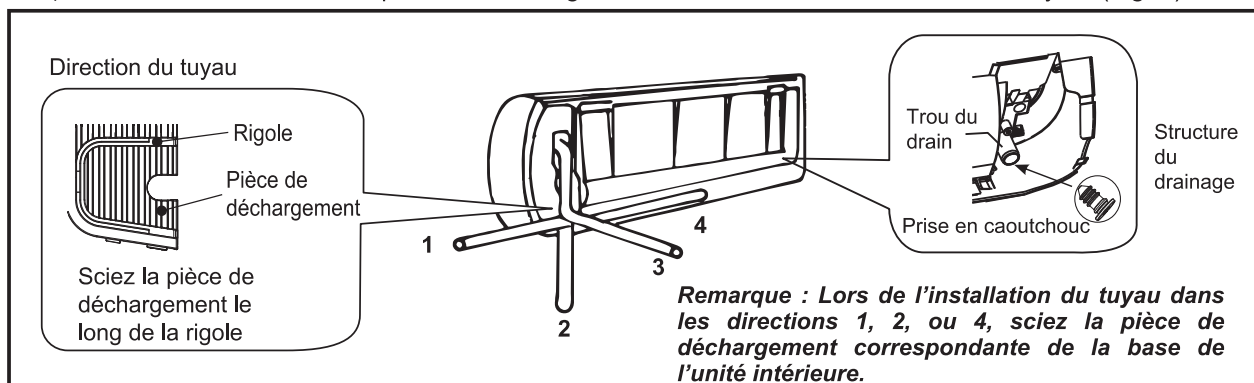


Fig. 3

Instructions d'installation

Installation de l'unité intérieure

Remarque : La structure du drainage est standard de chaque côté. Pour chaque côté de la structure de drainage, il peut être choisi un raccord de drainage sur la droite, sur la gauche ou des deux côtés. Si vous choisissez un raccord de drainage des deux côtés, un autre tuyau de drainage est nécessaire, car il y a uniquement un seul tuyau de drainage fourni par l'usine. Si vous choisissez un raccord de drainage d'un seul côté, assurez-vous que le trou du drain de l'autre côté est bien branché.

- Faites passer les tuyaux (tuyaux de liquide et de gaz) à travers le trou du mur depuis l'extérieur.
 - Couper le tuyau de liquide et le tuyau de gaz à la bonne longueur conformément à la marque de position sur la plaque de montage du mur (figure 4). Assurez-vous que la coupe est plane (figure 5).

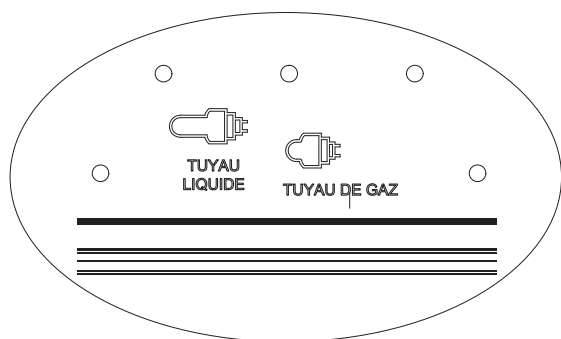


Fig. 4

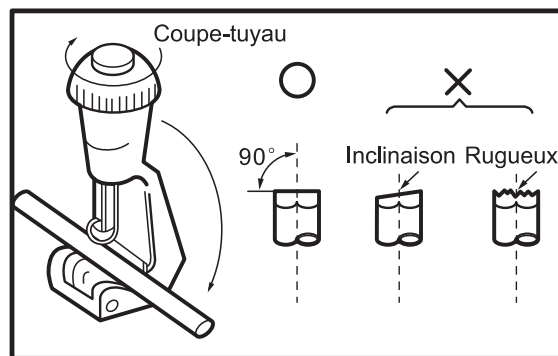


Fig. 5

- Enlevez les bavures sur les bords de coupe. Gardez la sortie du tuyau inclinée vers le bas pour éviter que de la poudre métallique n'entre dans le tuyau (figure 6).
- Évasez les tuyaux ; Insérez la sortie du tuyau dans l'écrou en cuivre avant d'évaser le tuyau. Assurez-vous que le trou est plan avec une surface correcte et une épaisseur régulière. (Fig. 7).

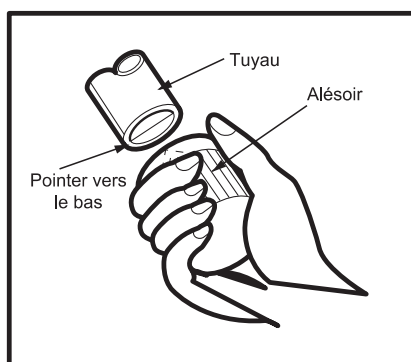


Fig. 6

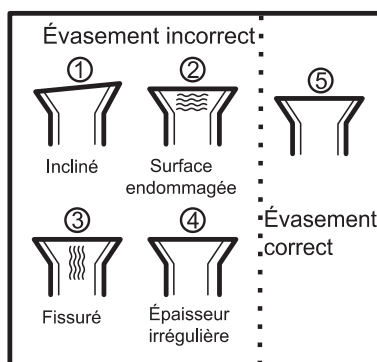


Fig. 7

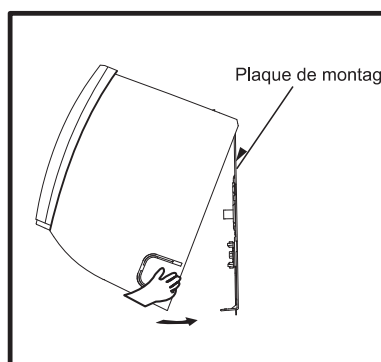


Fig. 8

4. Installation des tuyaux de l'unité intérieure

- Accrochez l'unité sur la plaque de montage (Fig.8).

FRANÇAIS

Instructions d'installation

Installation de l'unité intérieure

- 2) Dans la position A, ouvrez le panneau avant comme illustré sur la Fig. 9.
- 3) Dans la position B, ouvrez les couvertures de vis comme illustrée sur la Fig.10 et retirez les vis.
(Remarque:: Pour certains modèles, vous devez retirer 3 vis.)
- 4) Dans la position C, ouvrez la coque avant comme illustrée sur la Fig. 11. Ensuite dans la position D poussez les déflecteurs pour empêcher la coque avant de tomber comme illustré sur la figure 12.

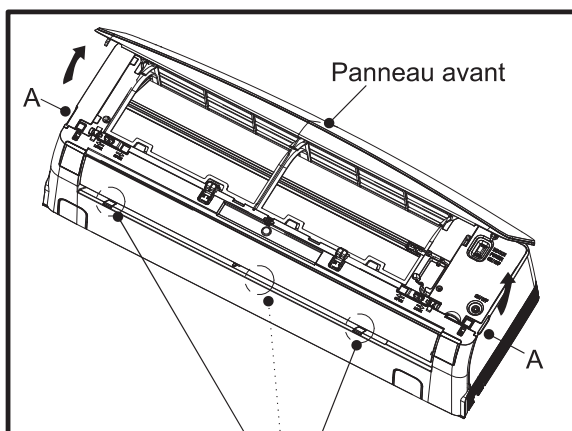


Fig. 9

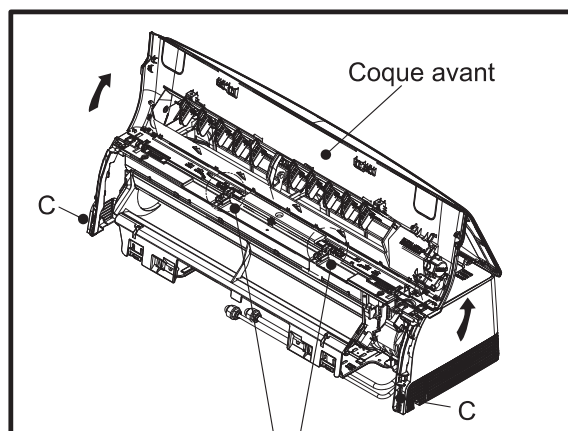


Fig. 11

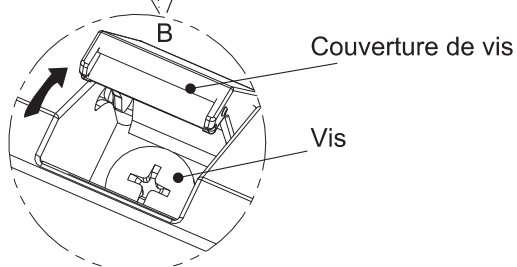


Fig. 10

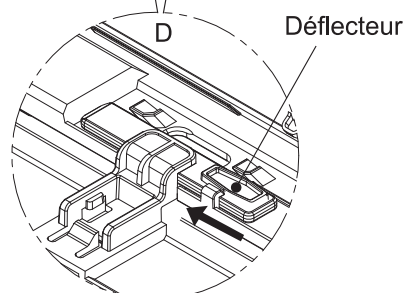


Fig. 12

- 5) Utilisez la plaque de support pour déplacer l'unité pas à pas afin d'atteindre le meilleur emplacement.
(Fig. 13 et Fig. 14).

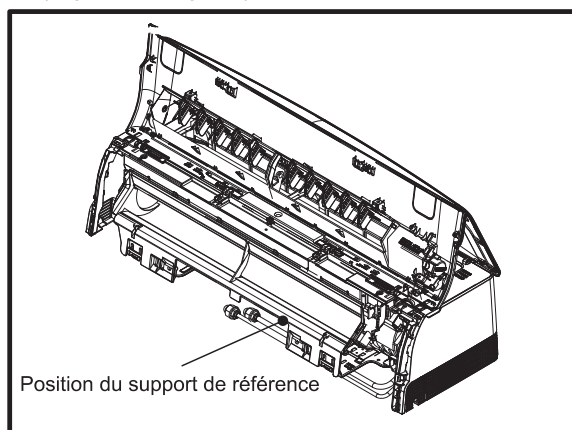


Fig. 13

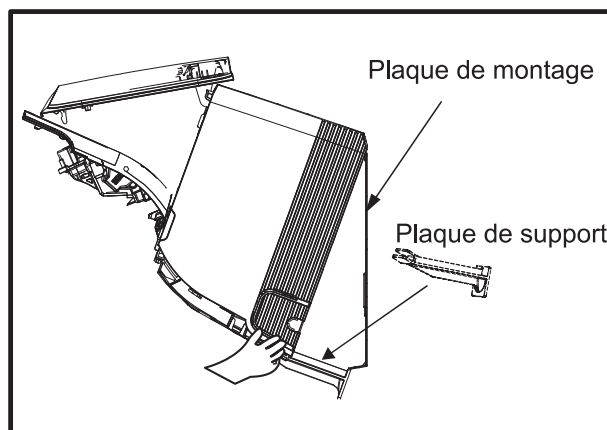


Fig. 14

Remarque : Les figures dans ce manuel peuvent différer de celle du climatiseur que vous avez sélectionné.

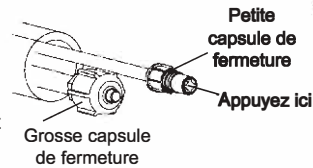
Instructions d'installation

Installation de l'unité intérieure

6) Connectez les tuyaux

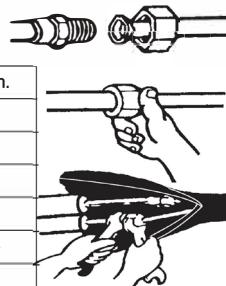
Connexion du tuyau :

- Avant de dévisser les couvercles de scellage grand et petit, appuyez sur le petit couvercle avec le doigt jusqu'à ce que le bruit d'évacuation s'arrête, puis relâchez le doigt.
- Connectez les tuyaux de l'unité intérieure avec deux clés. Faites particulièrement attention au couple admis comme illustré ci-dessous pour empêcher les tuyaux, les connecteurs et les raccords coniques d'être déformés et endommagés.
- Prévissez-les à la main d'abord, puis utilisez les clés.



☑ Si vous n'entendez pas le bruit de l'échappement, veuillez contacter le vendeur.

Modèle	Taille du tuyau	Couple	Largeur d'écrou	Épaisseur min.
7K-18K	Côté liquide (φ 6 mm ou 1/4 de pouce)	15-20N·m ou 11-15 pieds-livres	17 ou 5/8	0.5 ou 0.02
24K-36K	Côté liquide (φ 9.53 mm ou 3/8 de pouce)	30-35N·m ou 22-26 pieds-livres	22 ou 7/8	0.6 ou 0.024
7K-12K	côté gaz (φ 9.53 mm ou 3/8 de pouce)	30-35N·m ou 22-26 pieds-livres	22 ou 7/8	0.6 ou 0.024
18K	côté gaz (φ 12 mm ou 1/2 de pouce)	50-55N·m ou 37-41 pieds-livres	24 ou 0.94	0.6 ou 0.024
24K-36K	côté gaz (φ 16 mm ou 5/8 de pouce)	60-65N·m ou 44-48 pieds-livres	27 ou 1.1	0.6 ou 0.024
36K	côté gaz (φ 9.53 mm ou 3/8 de pouce)	70-75N·m ou 52-55 pieds-livres	32 ou 1.26	1.0 ou 0.039



REMARQUE: Les dimensions sont en « mm ou pouce », sauf si déclaré autrement dans le tableau

7) Après raccordement des tuyaux comme nécessaire, installez le tuyau de vidange. Connectez ensuite les cordons d'alimentation. Après connexion, enveloppez ensemble la tuyauterie, les cordons et le tuyau de vidange avec des matériaux thermiques d'isolation (fig.15 à fig.17).

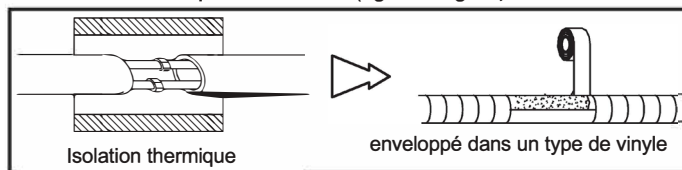


Fig. 15

Remarque : Enveloppez les joints de tuyauterie avec des matériaux d'isolation thermique et ensuite enveloppez-les avec un ruban en vinyle.

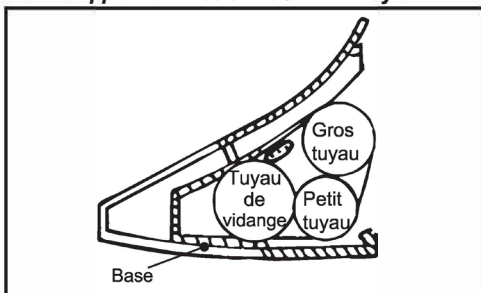


Fig. 16

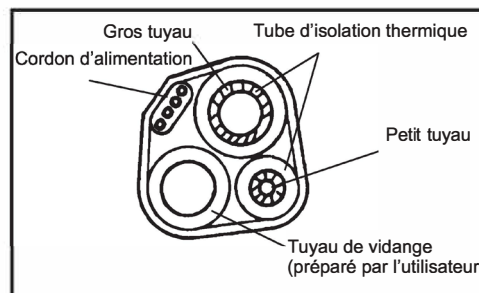


Fig. 17

Remarque : Placez le tuyau de vidange sous les tuyaux

Remarque : Le matériau d'isolation utilise de la mousse de polyéthylène de plus de 6 mm d'épaisseur.

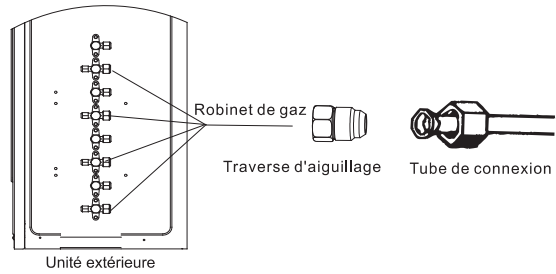
Remarque : Le tuyau de vidange est préparé par l'utilisateur.

Remarque : Les figures dans ce manuel peuvent différer de celle du climatiseur que vous avez sélectionné.

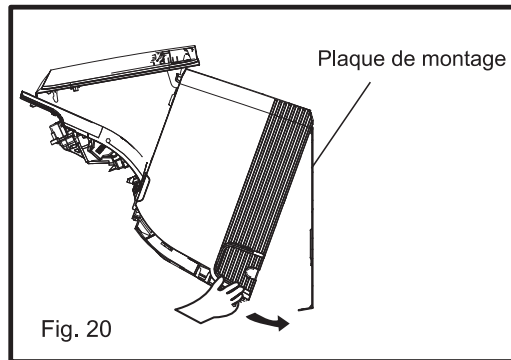
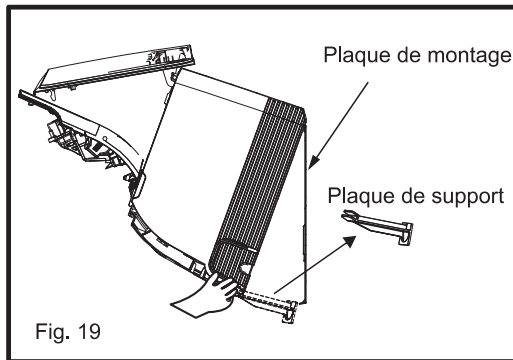
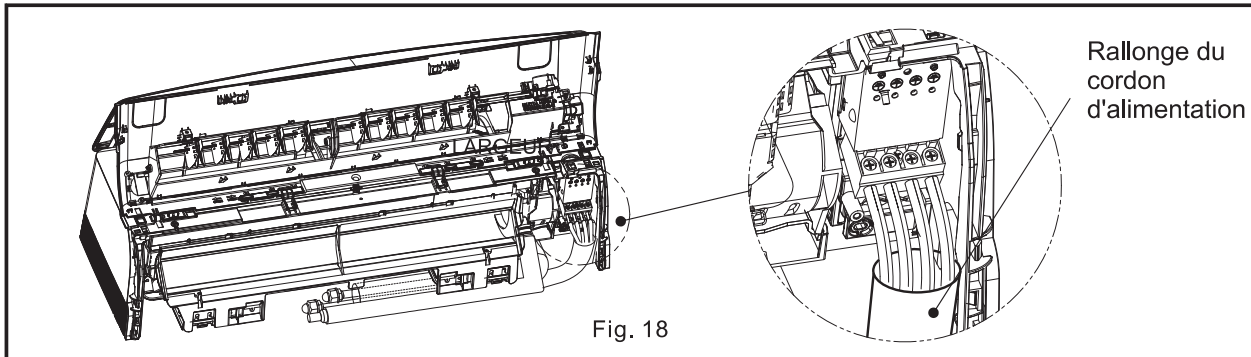
Installation de l'unité intérieure



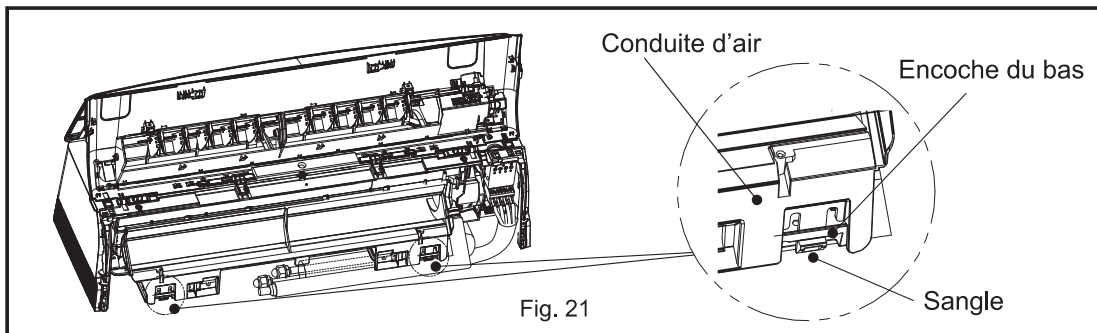
L'unité intérieure de 18/24K inclut l'accessoire de raccordement d'interrupteur seulement pour 18/24K intérieur. Il peut commuter le tube de connexion de gaz de 9,52 dans le tube de connexion 12,7. C'est une unité extérieure montée.



8) Connectez le cordon d'alimentation (fig.18).



9) Retirez la plaque de support comme illustré sur la fig.19. Puis déplacez l'unité étape par étape pour obtenir la meilleure installation, ensuite enfoncez les 2 sangles de la conduite de ventilation dans les 2 fentes du bas de la plaque de montage.(Fig.20 et Fig.21)



Remarque : Les figures dans ce manuel peuvent différer de celle du climatiseur que vous avez sélectionné.

Instructions d'installation

Installation de l'unité intérieure

- 10) Tirez les déflecteurs comme illustrés sur la Fig. 22. Fermez la coque avant comme illustrée sur la Fig. 23. Ensuite en position E, appuyez pour attacher la coque avant comme illustrée sur la Fig. 24.

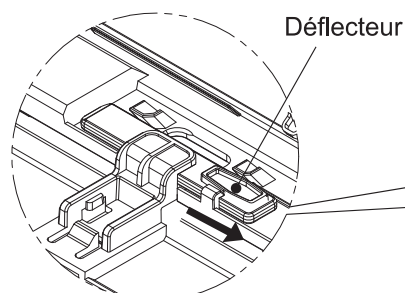


Fig. 22

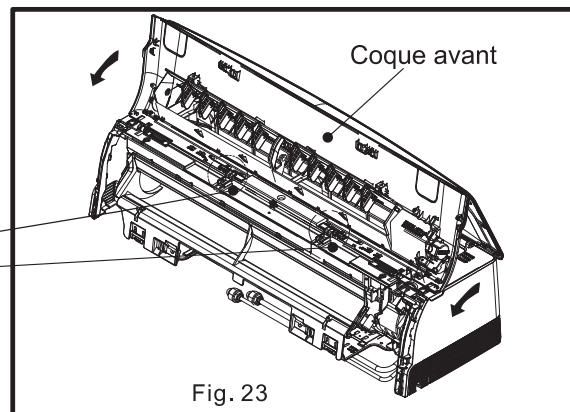


Fig. 23

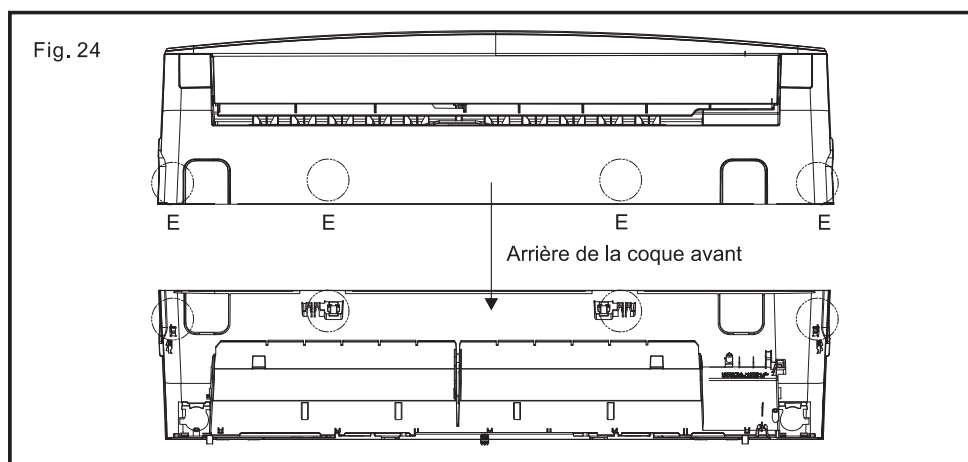


Fig. 24

- 11) Installez les vis et fermez les couvercles à vis comme illustrée sur la Fig.25 (Remarque: Pour certains modèles, vous devez installer 3 vis.)
 12) Fermez le panneau avant comme illustré sur la Fig. 26.

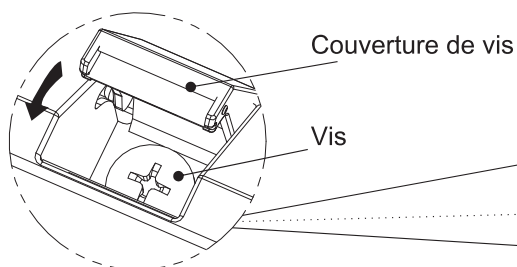


Fig. 25

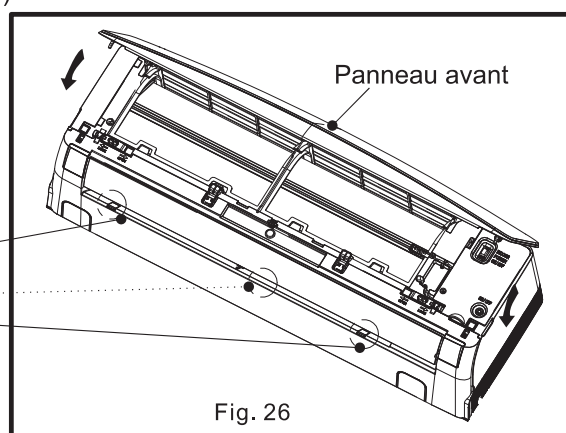


Fig. 26

Remarque : Les figures dans ce manuel peuvent différer de celle du climatiseur que vous avez sélectionné.

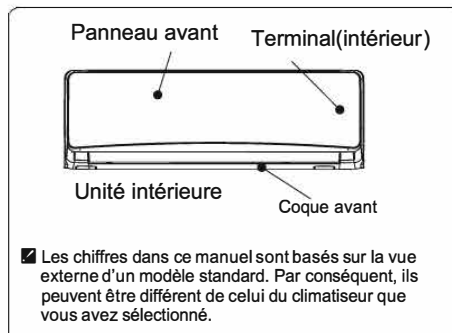
Instructions d'installation

Alimentation et câblage

Connexion du câble

• Unité intérieure

Connectez le cordon d'alimentation à l'unité intérieure en connectant les câbles aux terminaux sur le panneau de contrôle de manière individuelle conformément à la connexion de l'unité extérieure.



Mise en garde :

1. Ne manquez jamais d'avoir un circuit électrique individuel spécifiquement pour le climatiseur. Concernant la méthode de câblage, référez-vous au diagramme de circuit publié à l'intérieur de la porte d'accès.
2. Confirmez que l'épaisseur de câble est comme spécifiée dans les spécifications de la source d'alimentation électrique.
3. Vérifiez les câbles et assurez-vous qu'ils sont bien serrés après la connexion du câble.
4. Assurez-vous d'installer un disjoncteur à courant de fuite à la terre dans les zones humides.

Spécifications du câble

capacité (Btuh)	Cordon d'alimentation		Rallonge du cordon d'alimentation	
			Type	Zones normales de section transversale
7K-12K(208/230V)			SJ TW	4X14 AWG
18K(208/230V)			SJ TW	4X14 AWG
24K-36K(208/230V)			SJ TW	4X14 AWG
9K,12K(115V)			SJ TW	4X14 AWG

Attention :

La fiche doit être accessible même après l'installation de l'appareil, au cas où il serait nécessaire de le débrancher. Si ce n'est pas possible, connectez l'appareil électrique à un dispositif de commutation bipolaire avec une séparation de contact d'au moins 3 mm placé dans une position accessible même après installation.

Instructions d'installation

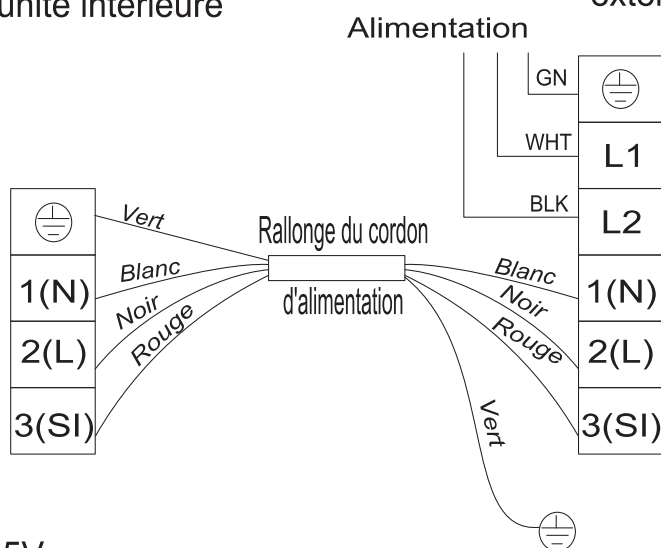
Schéma de câblage

Assurez-vous que la couleur des fils de l'unité extérieure et du numéro de terminal est la même que celle de l'unité intérieure.

1) 208/230V

Terminal de
l'unité intérieure

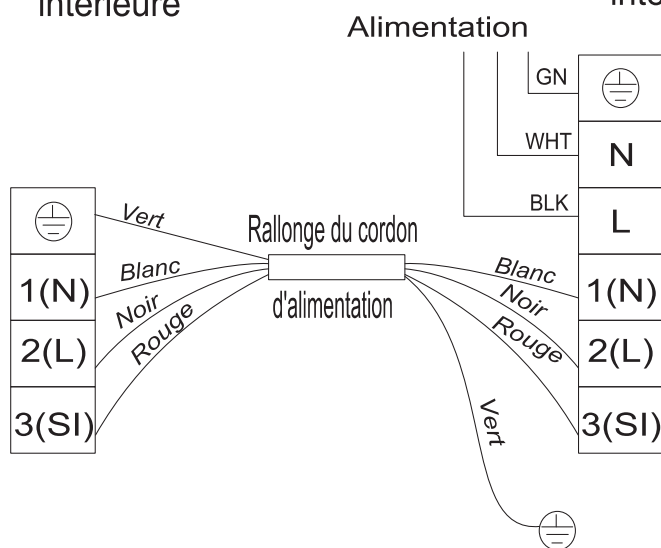
Terminal de l'unité
extérieure



2) 115V

Terminal de l'unité
intérieure

Terminal de l'unité
intérieure



Le diagramme est uniquement une référence, les bornes réelles du produit doivent être suivies.

FRANÇAIS

Instructions d'installation

Démarrage

Essai de fonctionnement

Effectuez un essai de fonctionnement après avoir complété les vérifications de fuite de gaz et de sécurité électrique.

1. Mettez en marche la déconnexion électrique de l'unité extérieure.
2. Enfoncez le bouton « MARCHE/ARRÊT » de la télécommande pour démarrer l'essai.
3. Enfoncez le bouton MODE, sélectionnez le mode REFROIDISSEMENT, CHAUFFAGE, VENTILATEUR pour confirmer toutes les fonctions.

Vérifications de système

1. Cachez les tuyaux de réfrigérants lorsque c'est possible.
2. Assurez-vous que les pentes des tuyaux de drain soient inclinées vers le bas sur toute sa longueur.
3. Assurez-vous que les tuyaux de réfrigérant et les raccords sont correctement installés.
4. Attachez les tuyaux à un mur extérieur, là où c'est possible.
5. Scellez et étanchéifiez le trou du mur par lequel passent les câbles d'interconnexion et les tuyaux réfrigérants.

Unité intérieure

1. Tous les boutons de la télécommande fonctionnent-elles correctement ?
2. Les lumières du panneau d'affichage fonctionnent-elles correctement ?
3. Les persiennes pivotantes fonctionnent-elles correctement ?
4. Le drain fonctionne-t-il ?

Unité extérieure

1. Appuyez sur le bouton de mode REFROIDISSEMENT et ajustez le réglage de la pièce sur 61 °F (16 °C) deg. et attendez jusqu'à 3 minutes à partir du temps de garde du compresseur. Le compresseur et le ventilateur extérieur s'allument-ils en mode refroidissement ?
2. Appuyez sur le bouton de mode CHAUFFAGE et ajustez le réglage de la pièce sur 85 °F (30 °C) deg. et attendez jusqu'à 3 minutes à partir du temps de garde du compresseur. Le compresseur et le ventilateur extérieur s'allument-ils en mode chauffage ?

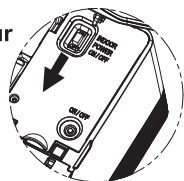
 **Remarque : Maintenez les touches MODE et  enfoncées simultanément pendant 3 secondes pour alterner l'affichage de la température entre °C et °F.**

Entretien et maintenance

Maintenance du panneau avant et de la coque

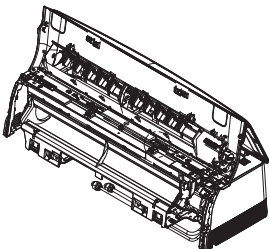
- 1** Coupez l'alimentation en déplaçant le commutateur d'alimentation dans la direction de la flèche.

Remarque : Éteignez l'appareil avant de couper l'alimentation électrique.



2

Ouvrir le panneau avant et la coque avant se référer à la Fig.9~Fig.12 de l'INSTALLATION DE L'UNITÉ INTÉRIEURE.



- 3** Essuyez avec un tissu souple et sec.

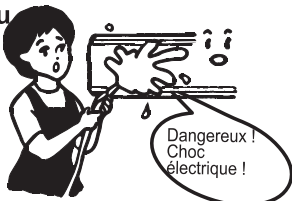
Utilisez un chiffon doux et humide pour nettoyer si le panneau avant est très sale.



- 4** N'utilisez jamais de substances volatiles comme de l'essence ou de la poudre à polir pour nettoyer l'appareil.

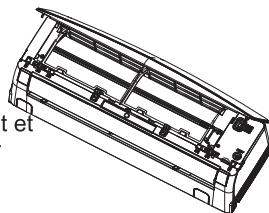


- 5** N'arrosez jamais l'unité intérieure avec de l'eau.



6

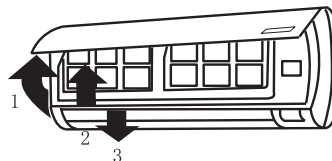
Fermez le panneau avant et la coque avant se référer aux Fig.22~Fig.26 de l'INSTALLATION DE L'UNITÉ INTÉRIEURE.



Maintenance du filtre à air

Il est nécessaire de nettoyer le filtre à air après une utilisation d'environ 200 heures.
Nettoyez comme suit :

- 1** Arrêtez l'appareil électrique et retirez le filtre à air.



1. Ouvrez le panneau frontal.
2. Appuyez sur la poignée du filtre délicatement depuis l'avant.
3. Attrapez la poignée et faites glisser le filtre à l'extérieur.

- 2** Nettoyez et réinstallez le filtre à air.

Si la saleté est visible, lavez avec une solution de détergent à l'eau tiède. Après le nettoyage, bien sécher à l'ombre.



- 3** Refermez le panneau avant.

☑ Nettoyez le filtre à air toutes les deux semaines si le climatiseur fonctionne dans un environnement extrêmement poussiéreux.

FRANÇAIS

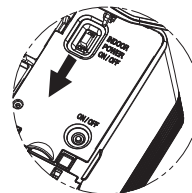
Entretien et maintenance

- ⚠ Ce qui suit est un nettoyage en profondeur et doit être effectué par un professionnel.
- ⚠ Il est strictement interdit aux utilisateurs d'opérer en privé, sinon ils le feront à leurs propres risques.

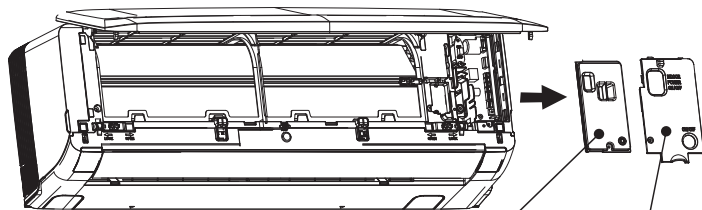
Entretien de la coque avant, du conduit d'air et du ventilateur

- 1** Coupez l'alimentation en déplaçant le commutateur d'alimentation dans la direction de la flèche.

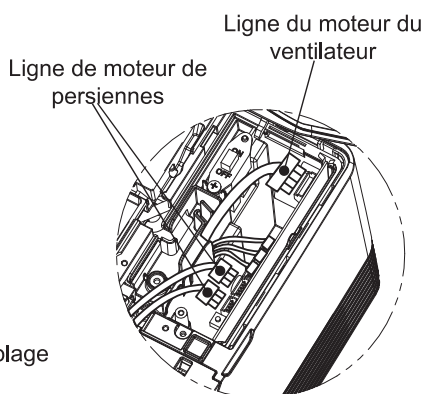
Remarque : Éteignez l'appareil avant de couper l'alimentation électrique.



- 2** 1. Retirez le couvercle du câblage et le couvercle du boîtier électrique.
2. Débranchez le câble du moteur du ventilateur et le câble du moteur des persiennes.



couvercle de boîte électrique

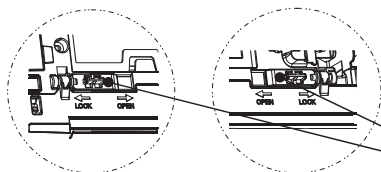


Ligne du moteur du ventilateur

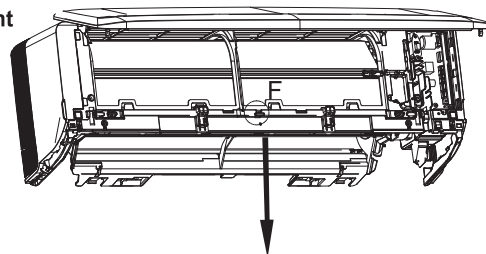
Ligne de moteur de persiennes

- 3** 1. Ouvrez les couvercles des vis et retirez les vis en se référant à la Fig. 10 de l'INSTALLATION DE L'UNITÉ INTÉRIEURE.
2. Ouvrez les axes de limite.
3. Retirez la coque avant pour le nettoyage.

Remarque : Faites attention à la limite de la position F, certains modèles ont deux emplacements.
Remarque : si vous voulez nettoyer la coque avant avec de l'eau propre, vous devez d'abord retirer tous les moteurs de la coque avant.



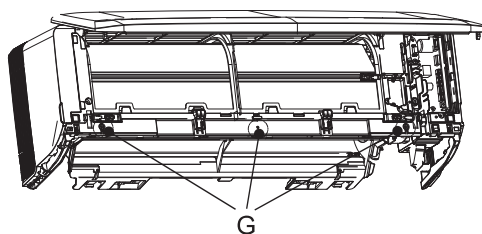
axe limite



Coque avant

- 4** Retirez les vis du conduit d'air (position G et position H).

Remarque : Les modèles de la série 808 n'ont pas de vis en position H.



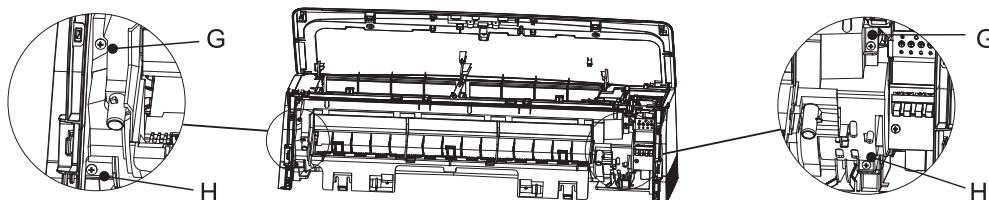
G

Entretien et maintenance

- ⚠ Ce qui suit est un nettoyage en profondeur et doit être effectué par un professionnel.
- ⚠ Il est strictement interdit aux utilisateurs d'opérer en privé, sinon ils le feront à leurs propres risques.

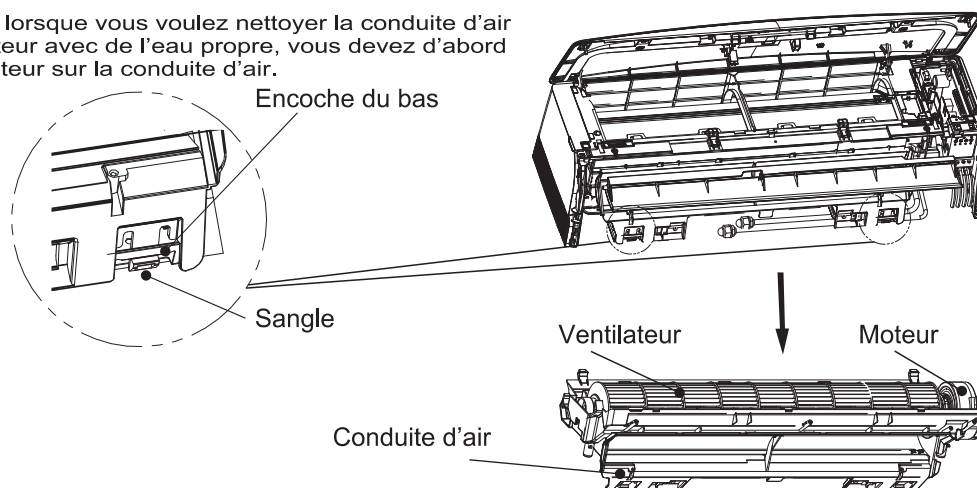
Entretien de la coque avant, du conduit d'air et du ventilateur

- 4** Retirez les vis du conduit d'air. (position G et position H).
Remarque : Les modèles de la série 808 n'ont pas de vis en position H.



- 5** 1. Appuyez sur les 2 sangles de la conduite d'air pour le dégager de 2 fentes du bas de la plaque de montage.
2. Retirez la conduite d'air.

Remarque : lorsque vous voulez nettoyer la conduite d'air et le ventilateur avec de l'eau propre, vous devez d'abord retirer le moteur sur la conduite d'air.



- 6** Après le nettoyage, installez la machine conformément à la séquence de désassemblage.

Remarque : Si la coque avant, la conduite d'air et le ventilateur sont nettoyés avec de l'eau, ils doivent être entièrement séchés avant d'être installés.

FRANÇAIS

Protection

Condition de fonctionnement

L'appareil de protection peut se déclencher et arrêter l'appareil dans les cas listés ci-dessous.

CHAUFFAGE	La température de l'air extérieur est supérieure à 75 °F(24 °C)
	La température de l'air extérieur est inférieure à -4°F(-20°C)
	La température de la pièce est supérieure à 80,6 °F(27 °C)
REFROIDISSEMENT	La température de l'air extérieur est supérieure à 115 °F(46 °C)
	La température de la pièce est inférieure à 70 °F(21 °C)
DESHUMIDIFICATEUR	La température de la pièce est inférieure à 64,5°F(18°C)

**Pour les modèles à condition de climat tropical T3, le point de température est 131°F(55°C) au lieu de 109°F(43°C). La température de certains produits est autorisée au-delà de cette plage. Dans des situations particulières, veuillez consulter le marchand.*

** Pour les modèles fonctionnant avec le réfrigérant R32, l'appareil peut maintenir le chauffage à une température ambiante extérieure de -4 °F (-20 °C) ; pour les modèles fonctionnant avec le réfrigérant R454B, l'appareil peut maintenir le chauffage à une température ambiante extérieure de -13 °F (-25 °C). Pour certains modèles, l'appareil peut maintenir le chauffage même à une température ambiante extérieure inférieure. Certains appareils peuvent utiliser des températures autres que celles indiquées.*

Si le climatiseur fonctionne en mode REFROIDISSEMENT ou SÉCHAGE avec la porte ou la fenêtre ouverte pendant un long moment lorsque l'humidité relative est supérieure à 80 %, des gouttes de rosée peuvent goutter depuis la sortie d'air.

Pollution sonore

- Installez le climatiseur à un endroit qui puisse supporter son poids afin qu'il puisse fonctionner plus tranquillement.
- Installez l'unité extérieure à un endroit où l'air déchargé et le bruit de l'opération n'ennuieront pas vos voisins.
- Ne placez aucun obstacle en face de la sortie d'air de l'unité extérieure, car cela augmente le niveau de bruit.

Caractéristiques du protecteur

L'appareil de protection fonctionnera dans les cas suivants.

- 1 Lors du redémarrage de l'unité après un arrêt de fonctionnement ou un changement de mode pendant le fonctionnement, vous devez patienter 3 minutes.
- 2 Si l'ensemble du fonctionnement est arrêté, appuyez à nouveau sur le bouton **MARCHE/ARRÊT** pour redémarrer, la Minuterie devrait être à nouveau réglée si elle a été annulée.

Caractéristiques du mode CHAUFFAGE

Préchauffage

Au début de l'opération de CHAUFFAGE, le flux d'air de l'unité intérieure est déchargé de 2 à 5 minutes plus tard.

Dégivrage

Pendant le fonctionnement en mode CHAUFFAGE, l'appareil électrique se dégivrera automatiquement pour augmenter l'efficacité. Cette procédure a généralement une durée de 2 à 10 minutes. Pendant le dégivrage, les ventilateurs arrêtent de tourner. Une fois le dégivrage complété, il retournera automatiquement en mode CHAUFFAGE.

Note: Le chauffage n'est PAS disponible pour les modèles de climatiseur à refroidissement seulement.

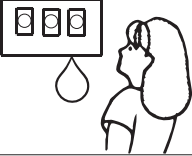

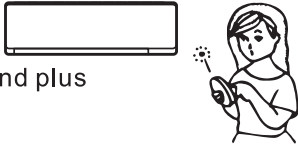
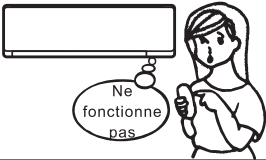
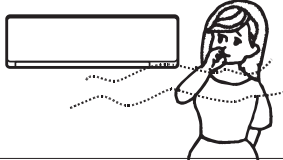
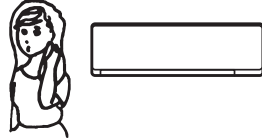


Conseils pour économiser de l'énergie

- 1. Assouplir la température de la pièce pendant la nuit est OK:** Pendant les heures nocturnes, vous n'avez pas besoin du même niveau de refroidissement ou de chauffage. Essayez d'utiliser le mode veille pour assouplir graduellement la température de la pièce et permettre à l'unité de fonctionner à un régime plus faible pour économiser de l'énergie.
- 2. Rideaux et stores :** En été, vous devez bloquer les effets du soleil. Fermez les fenêtres, les rideaux et les stores des côtés sud et ouest de votre domicile pour aider à bloquer la chaleur du soleil. En hiver, le soleil est votre ami. Ouvrez les stores et les rideaux pour permettre au soleil de chauffer votre pièce.
- 3. Fermez les portes :** Fermez les portes votre maison entière, confinez le chauffage et le refroidissement dans une pièce en fermant les portes. Limitez l'espace que vous chauffez et refroidissez à une capacité spécifiée de l'unité.
- 4. Maintenance de l'unité :** Une maintenance basique peut être l'unique chose dont vous avez besoin. L'unité extérieure bénéficiera grandement d'un bon arrosage, particulièrement dans les espaces boisés où des graines et autres débris peuvent se coller dans les ailettes des spirales et rendre difficile le fonctionnement de l'unité !
- 5. Réarrangez la pièce :** Du mobilier qui gêne le flux d'air signifie que vous pourriez chauffer ou refroidir l'arrière de la chaise ou l'avant du canapé au lieu de l'espace de vie. Utilisez les persiennes pivotantes pour aider à diriger l'air dans la bonne direction pour la pièce ; retirez et réarrangez les obstacles bloquant le flux d'air.
- 6. Essayez 75 degrés :** 75 °F (24 °C) est une bonne température pour le fonctionnement d'un climatiseur à un niveau optimal. Même un changement de 1 degré de la température peut faire que l'unité utilise plus d'énergie !
- 7. Éclairage :** Éteindre les lumières peut aider à réduire la chaleur. Chaque ampoule est un petit chauffage. Votre climatiseur doit évacuer l'énergie pour vaincre la chaleur provenant de vos luminaires pour atteindre et maintenir la température souhaitée de la pièce.
- 8. Y a-t-il quelqu'un à la maison ?** Si possible, lorsque vous êtes de sortie, réglez votre unité sur le mode automatique et assurez vous que les fenêtres et les rideaux sont fermés. En dépit du fait que la température de la pièce sera inconfortable pendant quelques minutes lorsque vous rentrerez à la maison, l'unité remettra la pièce à la température souhaitée en très peu de temps.
- 9. N'oubliez pas le ventilateur :** Le ventilateur est similaire à une voiture. Plus il tourne vite, plus il consomme d'énergie. Parfois, nous avons besoin que la voiture aille vite, mais rouler lentement est suffisant la plupart du temps. Essayez d'économiser de l'argent en utilisant la vitesse de ventilateur faible autant que possible.

FRANÇAIS

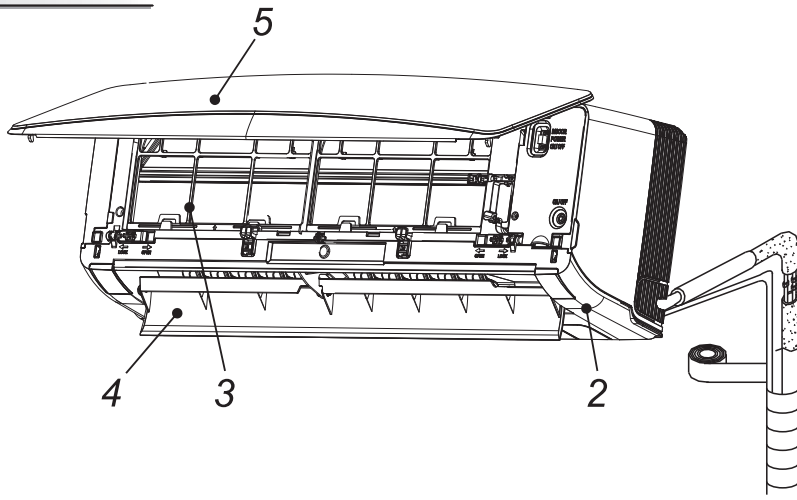
Dépannage

Les problèmes suivants ne signifient pas systématiquement un défaut de l'appareil ; veuillez vous reporter à la Table suivante avant de contacter l'Assistance Clients.

Problème	Analysis																											
<p>Ne fonctionne pas</p> 	<ul style="list-style-type: none"> • Si le fusible ou trip protecteur est grillé • Attendez 3 minutes et recommencez, le dispositif de protection peut empêcher l'unité de fonctionner. • Si les piles de la télécommande sont épuisées. • Si la fiche est bien branchée 																											
<p>Le chauffage ou la climatisation ne fonctionne pas</p> 	<ul style="list-style-type: none"> • Le filtre à air est peut-être encrassé? • Les aérations sont-elles bien dégagées ? • Les portes/fenêtres sont-elles bien fermées ? 																											
<p>L'appareil ne répond plus</p> 	<ul style="list-style-type: none"> • Si vous constatez une interférence importante (décharge d'électricité statique excessive, problème au niveau de la tension d'alimentation), l'appareil risque de dysfonctionner. Débranchez l'alimentation et branchez de nouveau après avoir patienté 2-3 secondes. 																											
<p>L'appareil ne répond pas immédiatement</p> 	<ul style="list-style-type: none"> • Si vous modifiez le mode de fonctionnement pendant que l'appareil est en marche, 3 minutes sont nécessaires pour que les changements soient pris en compte. 																											
<p>Odeur particulière</p> 	<ul style="list-style-type: none"> • Cette odeur peut provenir d'une autre source telle qu'un objet, une cigarette, ou autre, coincée dans l'appareil et bloquant la sortie d'air. 																											
<p>Bruit d'« eau qui coule »</p> 	<ul style="list-style-type: none"> • Causé par le flux de réfrigérant dans le climatiseur, pas un problème. • Dégivrage sonore en mode chauffage 																											
<p>Bruit de « craquellement »</p> 	<ul style="list-style-type: none"> • Ce son peut être dû à l'expansion ou la contraction du panneau avant, provoquée par un changement de température. 																											
<p>Vapeur émanant de la grille d'aération</p> 	<ul style="list-style-type: none"> • De la vapeur se forme lorsque l'air de la pièce devient très froid. Cela est dû au fait que l'air froid est éjecté de l'unité intérieure pendant l'activation des modes COOLING ou DRY. 																											
<p>Le témoin lumineux du compresseur est allumé en permanence, le témoin lumineux principal clignote et ventilateur ne fonctionne plus.</p>	<ul style="list-style-type: none"> • L'unité passe du mode HEATING au mode Dégivrage (DEFROST). Le témoin lumineux s'éteint et se rallume lorsque le mode HEATING est activé. 																											
<p>Le mode interfère Comme toutes les unités intérieures utilisent une unité extérieure, l'unité extérieure ne peut fonctionner qu'avec le même mode (refroidissement ou chauffage). Ainsi, lorsque le mode que vous avez défini est différent du mode en cours, le mode interfère. La suite montre la scène du mode interfère.</p>	<table border="1"> <thead> <tr> <th></th> <th>Refroidissement</th> <th>Seche</th> <th>Chauffage</th> <th>Ventilateur</th> <th></th> </tr> </thead> <tbody> <tr> <td>Refroidissement</td> <td>✓</td> <td>✓</td> <td>×</td> <td>✓</td> <td rowspan="4">✓ --- Normal × --- Le mode interfère</td> </tr> <tr> <td>Seche</td> <td>✓</td> <td>✓</td> <td>×</td> <td>✓</td> </tr> <tr> <td>Chauffage</td> <td>×</td> <td>×</td> <td>✓</td> <td>×</td> </tr> <tr> <td>Ventilateur</td> <td>✓</td> <td>✓</td> <td>×</td> <td>✓</td> </tr> </tbody> </table> <p>L'unité extérieure fonctionne toujours avec le mode de la première unité intérieure activée. Lorsque le mode de réglage de l'unité intérieure suivante est perturbé, 3 bips seraient entendus et l'unité intérieure interférerait avec les unités fonctionnant normalement qui s'éteindraient automatiquement.</p>		Refroidissement	Seche	Chauffage	Ventilateur		Refroidissement	✓	✓	×	✓	✓ --- Normal × --- Le mode interfère	Seche	✓	✓	×	✓	Chauffage	×	×	✓	×	Ventilateur	✓	✓	×	✓
	Refroidissement	Seche	Chauffage	Ventilateur																								
Refroidissement	✓	✓	×	✓	✓ --- Normal × --- Le mode interfère																							
Seche	✓	✓	×	✓																								
Chauffage	×	×	✓	×																								
Ventilateur	✓	✓	×	✓																								

Identification des pièces

Unité intérieure



Nom de la pièce



1. Télécommande

2. Coque avant

3. Filtre à air

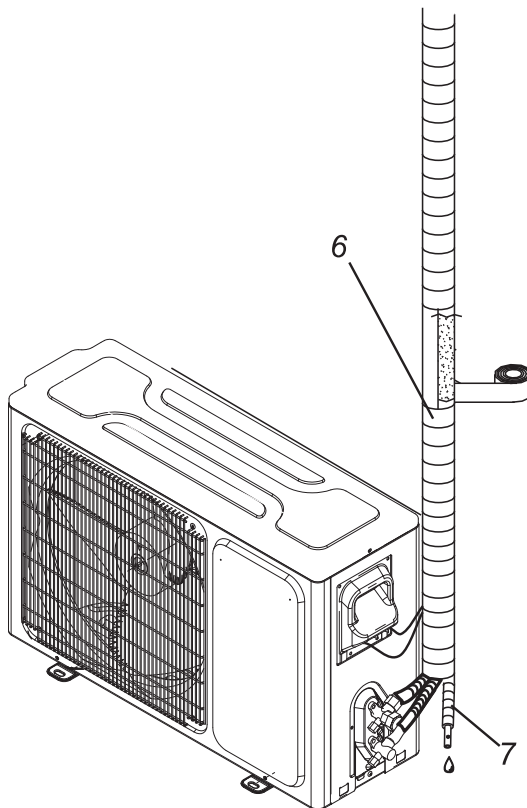
4. Persienne horizontale

5. Panneau avant

6. Tuyaux et cordon de connexion d'alimentation

7. Tuyau de vidange

Unité extérieure



Les chiffres dans ce manuel sont basés sur la vue externe d'un modèle standard. Par conséquent, ils peuvent être différents de celui du climatiseur que vous avez sélectionné.

FRANÇAIS

Introduction de l'affichage

88

Indicateur de température 1

Affiche la température réglée
Il affiche FC après 200 heures d'utilisation pour rappeler que le filtre doit être nettoyé.
Après le nettoyage du filtre, appuyez sur le bouton de réinitialisation du filtre situé sur l'unité intérieure derrière le panneau avant, afin de réinitialiser l'affichage (optionnel).



Indicateur de minuterie 2

Il s'allume pendant le temps réglé.



Indicateur de veille 3

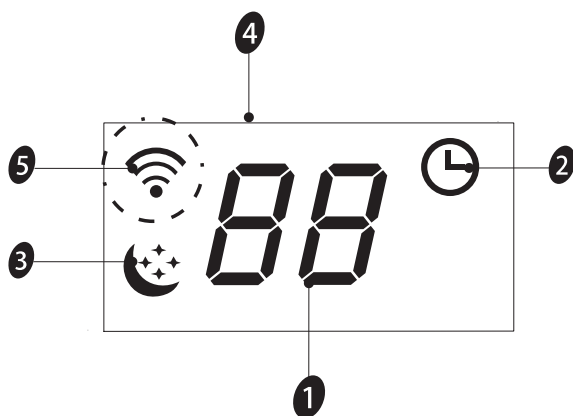
Il s'allume en mode veille.



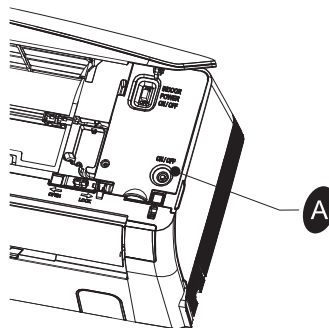
Récepteur de signal 4

Indicateur de smart WIFI 5

Il s'allume lorsque le WIFI fonctionne.



Bouton d'urgence **A**



ON/OFF Pour faire fonctionner ou arrêter le AC en appuyant sur le bouton.

☑ Le symbole peut être différent de ces modèles, mais les fonctions sont similaires.