

SENCOR®

Let's live!



MOBILE PHONE

Element P007

USER'S MANUAL

EN



Contents

1.	Basic information	2
2.	Safety instructions	3
3.	Prior to use	7
3.1.	Marking and description of the parts	7
3.2.	Inserting SIM and memory cards	8
3.3.	Security password	12
4.	Quick start guide	13
4.1.	Making a call	13
4.2.	Ignoring a call	13
4.3.	Receiving a call	13
4.4.	Ending a call	13
4.5.	Emergency calls	13
4.6.	Speed dial of extension	13
4.7.	Calls log	13
4.8.	Calls forwarding	14
4.9.	Call waiting	14
4.10.	Call blocking	14
5.	Menu and function description	15
5.1.	Messages	15
5.2.	Contacts	15
5.3.	Calls	15
5.4.	Settings	16
5.5.	Multimedia	17
5.6.	Organizer	18
6.	Entering text	19
7.	Care and maintenance	20
8.	Technical specifications	21

1. Basic information

Thank you for purchasing the Element mobile phone with colour display. This manual provides information on the functions, features and operation of the phone.

Mobile telephone Element with colour display is designed for network environments GSM; the telephone allows you to operate two SIM cards in standby mode, but if one SIM card is engaged in a call, you cannot call from the second card. In addition to basic call functions, the phone also offers a number of useful features, such as directory, modes of operation, news, audio and video player, camera and video camera, alarm clock, calculator and other functions that are practical for work and leisure activities.

The mobile phone meets the GSM criteria and is certified by the competent authority. The company reserves the right to change the contents of the manual without prior notice.

2. Safety instructions

**WARNING:**

Pay attention to the following instructions. The manufacturer does not assume any responsibility towards a user that does not follow these recommendations or uses the smartphone in an unsuitable manner. By using the device unsuitably, the user risks violating the relevant acts.

Read this user's manual carefully before use. Keep the manual for future reference.

- Always follow the basic safety instructions when using this device to prevent the risk of fire, electric shock or injury.
- Please read this manual and follow all instructions for use, maintenance and installation. Do not use the mobile phone for purposes other than those for which it is intended.
- Failure to observe the rules specified in the user manual or inappropriate use will result in the invalidation of the warranty and may result in injury or damage to property. The manufacturer is not liable for any damages in such cases.
- Use of a mobile phone is prohibited in some areas. If you find yourself in an area where the use of mobile phones is prohibited, follow the instructions contained in this manual to switch the phone off. Usual areas where the use of mobile phones is prohibited include: Planes, petrol stations with flammable fuels, demolition sites, etc. Operating smartphones can interfere with electronic and medical devices, such as pacemakers, hearing aids and other medical electronic equipment.
- Switch off the phone whenever near fuel, chemical substances and explosives. Keep the device away from children.
- Follow the law on the use of mobile phones while driving. The driver is primarily responsible for the given vehicle. Use the hands-free function of your smartphone, if available. If driving in poor conditions, stop the vehicle before making or taking a call.
- If your phone supports "Aeroplane mode", enable "Aeroplane mode" prior to boarding a plane. If your phone does not support this mode, switch the device off prior to boarding a plane, as your device can interfere with plane instruments. Please follow the instructions issued on the plane.
- Always use genuine accessories. Using a non-genuine battery or charger can result in invalidation of the warranty, cause damage to the phone and injury to the user.
- Modifying or changing the features of the phone or tampering with the device is strictly prohibited. Modifying the device can result in serious failure and damage to property and potentially injure the user. Unless approved by the manufacturer, updating the operating software is also classed as a modification.
- Do not connect the battery charger to your smartphone before the battery is installed. Do not short circuit the battery.

- Charge the smartphone battery in well-ventilated and cooled areas and away from flammable and explosive materials.
- To prevent demagnetization, keep your smartphone away from magnetic materials, such as hard drives, credit cards etc.
- Mobile phones are sensitive to external interference, which can seriously affect functionality; in some environments, mobile phones cannot be used at all.
- Neither the mobile phone or charger are toys, small parts can be swallowed by children. The charger and connecting the charger into the electrical outlet is dangerous to for young children. The charger should not be used by children.
- Do not unplug the charger by pulling on the power cord – there is a risk of damaging the power cord/socket and/or charger. Unplug the power cord by pulling on the charger unit.
- Be particularly careful if the display glass on the phone breaks as sharp glass parts can cause injury. Do not use a damaged phone and seek professional help to repair the device.
- A high volume set on the mobile phone can result in damage to hearing, be careful when adjusting the volume. Using your phone to listen to loud music can have serious consequences. Be careful when adjusting the volume to listen to music.
- Do not use liquid or aerosol cleaning agents, benzine, solvents or similar products. Use a lightly damped towel for cleaning.
- Do not use the device near water, e.g. in a bathtub, shower or pool. Immersing the device into water can lead to injury by electric shock. Do not place any containers with water on the device, for example, vases.
- Place the device on stable surfaces. The device may become damaged if it falls on the ground.
- Do not cover the air vents on the device. These are used to prevent overheating.
- Keep the device in areas not prone to someone stepping on it.
- Do not place any objects into the air vents. Risk of fire or electric shock. Do not allow the device to be sprayed with liquid.
- To reduce the risk of electric shock, do not dismantle the device. If your device requires service or repair, take the device to an authorized service centre or qualified technician. Opening the device or removing the cover can uncover areas with dangerous voltage or other risks. Risk of electric shock when using a device that is not properly reassembled.
- Do not expose the device to extreme temperatures, e.g. near a hot radiator or stove or in a heated car.
- Do not place the device on burning objects, such as candles or cigarettes.
- Do not use the device to report gas leaks near the source of the leak.
- This smartphone is capable of capturing photos, recording video and sound; respect the relevant laws and regulations for using these features. Under certain circumstances, capturing photos, video and sound recordings without permission can be considered as breaking the law and valid regulations.



- When using network features, please do not download files infected with a virus, do not install damaged photos and ringtones. Our company is not liable for defects caused by the phone behaving abnormally after downloading files.
- Follow local regulations for disposing of the battery. Recycle if possible. Do not throw the battery into standard waste.

**WARNING**

To reduce the risk of fire or electric shock, do not expose this appliance to rain or moisture, if you suspect it may cause the liquid to leak in. Make sure that all the gaskets and seals of the rear cover are properly snapped on. Then the condition IP68 (immersion maximum time of 60 min. at a depth of 1.5 m).will be met.

DECLARATION: Our company reserves the right to review the contents of this manual without prior notice.

Notes

Some features and accessories described in this user manual depend on the software installed and the capacity and configuration of the local network, and do not necessarily need to be available or can be limited by mobile carriers. Thus, the descriptions provided do not necessarily correspond precisely to the specific phone or accessories, which you purchased. The manufacturer is not responsible for the quality and legality of any contents, which you upload or download to the mobile phone, whether it concerns text, pictures, music, films, additionally installed software protected by copyright etc. You are liable for consequences following the installation or using the contents of the above stated on this mobile phone.

All screenshots, symbols and icons in the user's manual are simulated. Actual screenshots, symbols and icons may differ.

Step-by-step procedures can differ from those provided in this manual, depending on the firmware version on the phone.

Unless stated otherwise, the home screen is the presumed starting point for all procedures described.

The phone is a device, the behaviour of which can be altered by the user via additional apps. Procedures and individual steps can therefore differ from those contained in this manual.

Note on the service provider: The phone is configured from the factory to fully utilize available services. Your provider can limit or change some functions, security measures or behaviour of the phone, as opposed to the description in this manual. Ask your provider for any changes.

SENCOR®

Appendix to the user's manual for the LCD panel

Measures for static image; red/blue/green/black spots on the screen

A static image can damage the LCD display permanently.

- Do not leave a static image on the LCD panel for more than 2 hours. This may result in a damaged panel. This damage is known as "screen burn-in".

The warranty does not apply to screen damage caused by the reasons stated above!



Red, blue, green, and black dots may appear on the screen

- This is typical for liquid crystal displays and does not indicate any problems. LCD screens are made using precision technology to provide even the finest image details. Several defective pixels can appear on the screen from time to time, indicated as red, blue, green or black dots (up to 0.001% of the total pixel count of the screen). This does not affect the properties and performance of your device.

3. Prior to use

3.1. Marking and description of the parts of the device

3.1.1. Device



- | | |
|--|--|
| <ul style="list-style-type: none"> 1. Speaker 2. LCD display 3. Navigation button (up/down) 4. Left software button 5. Call button 6. Keyboard | <ul style="list-style-type: none"> 7. Right software button 8. End call button 9. Camera 10. Flash 11. USB jack |
|--|--|

3.1.2. Description of buttons

Buttons	Functions
Left software button / right software button	<ul style="list-style-type: none"> 1. Performing functions displayed in the left/right bottom corner of the screen. 2. In standby mode, the Left Soft button activates the menu, with right you enter the Contacts.
Navigation button	<ul style="list-style-type: none"> 1. It corresponds on other screens to the navigation button and direction button, except for special functions. 2. In standby mode, press the "down" button to activate the Alarm, press "up" to start the FM radio function (playback start/stop by pressing "5"). 3. The handset volume changes during an call.

Buttons	Functions
Call button	<ol style="list-style-type: none"> 1. Press this button to dial the entered/selected telephone number or accept an incoming call. 2. In the standby mode, press this button to enter the list of dialled numbers.
End call button	<ol style="list-style-type: none"> 1. Press and hold the key to turn the phone on/off. 2. Press to return from any screen to the standby screen. 3. Used to end call or to reject an incoming call.
Number pad	Serves to dial or enter numbers and symbols. Press and hold the number 1 to go to the preset voicemail.
Button *	<ol style="list-style-type: none"> 1. Press the left soft key in the standby mode and use the button * to lock/unlock the phone keyboard. 2. From the standby screen, enter * after entering a phone number to enter the extension number; enter the extension number after the "+" sign. 3. In selected phone features the key "Left" is used as a directional key, e.g. when you move between available options in Settings.
Button #	<ol style="list-style-type: none"> 1. On screen for text editing, press the # key to switch the text entry method. 2. From the standby screen, press and hold the # key to switch between modes normal / silent. 3. In selected phone features the key "Right" is used as a directional key; e.g. when you move between available options in Settings.
Button "0"	Press and hold the button (for 5 seconds) to activate (or deactivate) the phone light.
Button "5"	<ol style="list-style-type: none"> 1. In the FM radio mode press the button to turn on/off the volume of the playback. 2. Press the button in the Camera mode to take a picture.

3.2. Inserting SIM and memory cards

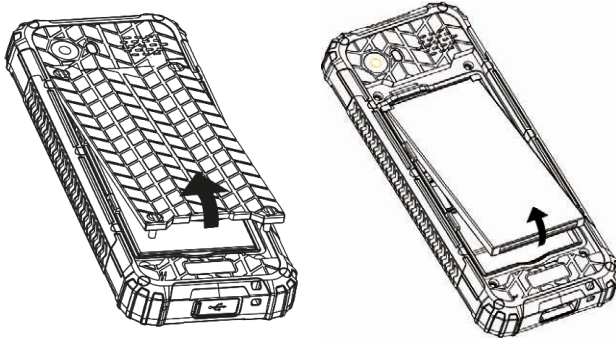
A SIM card must be inserted into the phone before use. Your telephone operator will provide the SIM card.

When purchasing services from the mobile network, you receive a SIM card together with details including your PIN code and the optional services that are available.

The back cover is attached with four screws located in four corners of the phone's back cover. First, loosen the screws using the supplied screwdriver, then lift the back cover with your fingernail or a blunt object at the cutout on the bottom of the phone. Lift the battery with a fingernail or a blunt object at the bottom edge in the place of the cut.

**WARNING:**

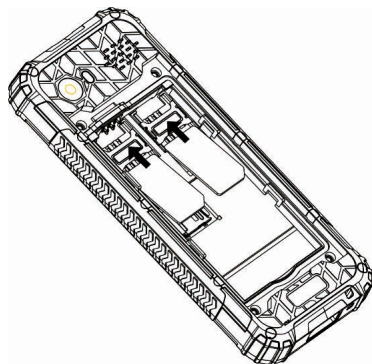
before handling the cards (SIM and memory), disconnect the charger, switch off the phone and remove the battery.



Insert the SIM1 card in the upper left slot, insert the SIM2 card in the upper right slot. For both SIM cards the cut corner must be positioned in the lower right corner of the slot with the SIM card contacts facing down so that they touch the built-in contacts for the SIM in your phone. Warning: Do not bend the SIM card and prevent it from being scratched. Do not expose the SIM card to static electricity, water and dirt. When inserting and removing SIM cards and the memory card, be careful not to damage the slots and base plate of the telephone.

**NOTICE:**

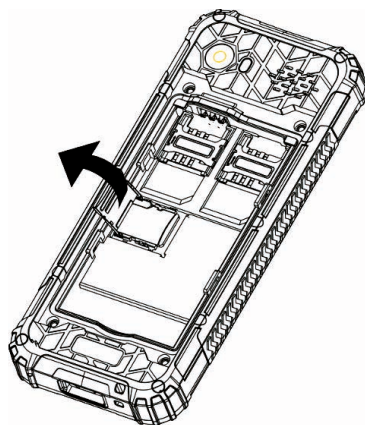
Phone functions such as voice calls and video calls, receiving and sending text and multimedia messages and data transfers at different speeds are possible and available only when at least one of the SIM cards with activated operator functions is inserted and within reach of its wireless network. Check with your provider for services available on your SIM card and access to its network.



Insert the memory card in the slot located under the battery. You will release the locking plate by pressing on it gently and move it to the left. Insert the memory card under the open locking plate with the contacts facing down so that the memory card contacts touch the built-in memory card contacts for the phone's memory card and the edge with cutouts facing the top edge of the battery compartment. Properly attached memory card slots follows the shape of the slot and can be pressed into the slot with slight even pressure. By attaching the locking plate on the memory card and a slight pressure while moving toward the right you will ensure a firm hold of the memory card. The maximum size of supported memory cards is 8 GB.

**NOTICE:**

If the memory card does not work, make sure it is properly installed and has good contact.



When **inserting the battery** in the phone, first connect the battery contacts with the contacts located in the phone (at the top) and then gently push the battery into the battery compartment. When placing the back cover on the phone, place the cover on the top edge of the phone and gently push on the edge of the cover from the top edge down throughout the entire perimeter of the cover, until the cover is fully in place. If you are unable to attach the back cover, check that you have not confused the upper and lower edges of the cover (rotate the cover by 180 degrees). Attach the back cover of the phone using the supplied screwdriver. Be careful when you tighten the screws to prevent damage to the back cover and to the thread of the phone.

**NOTICE:**

Follow the instructions in this manual to avoid damaging the battery connector.

**NOTICE:**

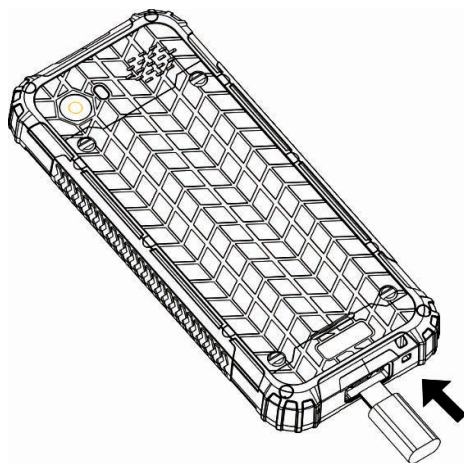
It is necessary that the rubber caps of the screws around the phone and the cap of the USB connector lies firmly in the opening and the rear cover has been correctly attached and secured with screws.

3.2.1. Charging

Connect the charger to the USB charging port in the bottom part of the phone. Plug the charger into a standard electrical outlet and the battery icon in the upper right corner of the screen starts to move. When the battery icon stops moving, the battery charging is complete. Pinch the charger plug between two fingers and disconnect the charger from the phone.

**NOTICE:**

Use the original charger to ensure reliable mobile phone operation.



3.3. Security password

PIN: the PIN is used to make it impossible to use your SIM card illegally. The PIN code is usually included with the SIM card. If you enter three consecutive times the wrong PIN, unlock it by entering the PUK code. You will receive details from your telephone operator.

PIN2: the PIN2 code must be entered when entering certain features (e.g. Charge calls); if you enter three consecutive incorrect PIN2 code, unlock it by entering the PUK2 code. You will receive details from your telephone operator.

PUK: when removing a locked PIN code you must enter the PUK code. PUK code is included with the SIM card. If it is not included, contact your telephone service provider. If you enter ten times in a row the wrong PUK, the SIM card cannot be used any longer. Contact your telephone service provider to purchase a new card. The PUK code cannot be changed. If you lose the code, contact your telephone service operator.

PUK2: when removing the locked PIN2 code, you must enter the PUK2 code. If you enter ten times in a row the wrong PUK2 code, you cannot use the functions requiring PIN2 code any longer. Contact your telephone service provider to purchase a new card. The PUK2 code cannot be changed. If you lose the code, contact your telephone service operator.

4. Quick start guide

In case that when you switch on the phone and the default language is English, proceed as follows through the telephone Menu: Menu/Settings/Phone settings/Language and here select the required language from the menu.

4.1. Making a call

In standby mode, using the number keys enter the phone number you want to dial. When you enter the number, press the dialling button and the call is made. If you want to make an international call, add before the phone number the area code.

4.2. Ignoring a call

You can reject the incoming call by pressing the end call button.

4.3. Receiving a call

When you receive a call, the phone duly alerts you (vibration, ring tones, etc.); if this feature is supported by your telephone network, the phone's screen shows the name and telephone number of the caller; at this point you can press the dialling button to receive the incoming call.

4.4. Ending a call

After the conversation you can end the call by pressing the end call button.

4.5. Emergency calls

Call to the emergency services can be made directly without the SIM card. Different networks use different emergency numbers. Contact your telephone operator for details.

4.6. Speed dial of extension

To enter a pause (e.g. for direct dialling to an extension number) after entering a phone number, press and hold *****. The screen shows the symbol "P", then continue to enter the extension number. When dialling, insert a short pause between the numbers for the switchboard to recognize the number correctly.

4.7. Calls log

In the summary of the calls, you can view the details of your dialed, missed, received and rejected calls.

4.8. Calls forwarding

When you turn on the call forwarding function according to different forwarding settings you can choose to switch the incoming call to voicemail or other numbers.

4.9. Call waiting

After activating the call waiting function, another call can be received during a current call.

4.10. Call blocking

After activating call blocking according to various settings you can restrict the call under appropriate conditions (you must apply at your telephone operator).

5. Menu and function description

5.1. Messages

Message service is in fact a service of the telephone network. This menu is functioning properly, depending on the type of SIM card and the services provided by the telephone operator. Therefore check this function before using it.

Write message: Before using this feature, make sure that you have set the service center number of the telephone operator. The message capacity of the SIM card depends on its type. Write the required text and send the message using menu, which is accessible by pressing the left soft key Options/Send.

Inbox: Saves received SMS messages.

Drafts: Stores unsent messages.

Outbox: Stores SMS messages, which were not yet sent.

Sent messages: Stores successfully sent SMS messages.

5.2. Contacts

This function allows you to browse the phonebook, save, edit, and delete names and phone numbers in the phone and SIM card. The memory capacity of the SIM card varies and the maximum memory capacity of this phone is 200 items.

5.3. Calls

Call log: displays call history.

- **Missed calls:** View the list of recent missed calls.
- **Outgoing calls:** View the list of recent dialled numbers.
- **Received calls:** View the list of recent received calls.
- **All calls:** View the list of all recent calls.
- **Delete:** You can delete all call numbers lists, received, missed and rejected calls.

Call settings (Calls/Settings): you can adjust call settings for individual cards.

- **Call waiting:** You can switch this function on or off. After switching it on, you can receive other incoming calls during a current call.
- **Call forwarding:** When the function "Call forward" is activated, you can forward incoming calls to your voice mailbox or to another phone number according to the conditions set in "call forward".
- **Call blocking:** It is possible to select types of calls, which should be blocked.

Advanced call settings

- **Blocked numbers:** Rejection of blocked numbers can be switched on or off. You can store up to 20 numbers in the list of blocked numbers.
- **Auto redial:** You can switch this function on or off. When turned on, the phone will automatically dial the number called in the event of a failed connection attempt.
- **Talk time alert:** You can set one-time or recurring call time reminder.

- **Answer mode:** It offers the possibility of activating the answer call function by pressing any phone key and setting to automatically answer the call in handsfree mode.

5.4. Settings

You can adjust the phone setting, like time and date, language, call settings, etc.

Dual SIM: Sets active SIM cards (only the selected SIM or both SIM cards).

Profiles: preset modes are Main mode, Quiet mode, "Meeting" mode and "Outside" mode. Setting up some profiles can be customized.

- **Type of notification / ringtone, notification ringtone / message:** Setting ringtones for calls and messages.
- **Ringtone/message volume:** Setting the ringer volume, messages tone volume.
- **Keypad sound:** Setting a type of sound or switching it off.
- **On/Off:** Sound settings for turning the phone on or off.
- **System sounds:** Turning system sounds on or off.

Telephone: offers the option to adjust the phone setting.

- **Time and date:** You can set the date and time of the phone and also their display mode.
- **Language:** You can select the language of the phone.
- **Entering text:** You can select the preferred method of text input.
- **Display:** Offers the option and the setting of the phone wallpaper, activating the automatic phone lock, set the date and time display on the standby screen.
- **Airplane:** Used to turn off all transmit and receive modes of the phone (e.g. shutdown of the GSM signal, Bluetooth). Warning: Do not use this function, but switch off the entire unit.
- **Other settings / LCD backlight:** Adjustment of the backlight time and brightness of the display / keypad.

Security: contains the item for setting each SIM and phone security.

- **PIN lock:** Activation and deactivation of PIN code and its change.
- **Change PIN:** Change PIN1 code.
- **Change PIN2:** Change PIN2 code.
- **Phone security/Phone lock:** Activation or deactivation of the phone lock. The default password is "1122".
- **Phone security/Change password:** Change of mobile phone and privacy password.

Connection: the phone offers the option of Bluetooth connection.

- **Start:** You can turn on or off the Bluetooth connection.
- **Visibility:** You can choose phone visibility or hide it when Bluetooth is connected. If the Bluetooth visibility is off, other devices will not be able to find your telephone.

- **My device:** Shows the list of already paired devices. You can find other Bluetooth devices and find a compatible one. If the pairing passwords of two Bluetooth devices are identical, the pairing will be successful. Some devices (like Bluetooth headphones) have a preset code for connection. You will find it in the manual of the device.
- **Phone name:** You can change the name of the phone.

Reset of the phone settings: You can restore some of the phone settings to their default values. The default code to restore the factory setting is: 1122.

5.5. Multimedia

Camera: the device is equipped with a camera. You can take a picture anytime and save it to your device or memory card. Press the key "5" to take a picture. Use the left soft key to display the menu options. Tip: insert the memory card first and set it up as the default storage space for the camera.

- **Go to video/camera:** With this function, you can switch to camera mode and video camera.
- **My photo:** Entry in the picture viewer.
- **Settings:** You can set the size and quality of the picture.
- **Storage:** You can choose place where to save pictures (Phone, memory card).

Pictures: Viewing pictures and captured photos on a memory card through a photo album. It is also possible, for example to rotate the selected image, set it as your wallpaper, share it via Bluetooth. Tip: the files can be renamed, placed in a folder or removed in the separate application Files.

**NOTICE:**

Files for display must be stored on a memory card in the folder "My Photos".

Video: This phone supports video formats 3GP, AVI and MP4. Warning: Files for playback must be stored on the memory card in the folder "My videos".

Music: this phone can play MP3 files saved in the phone memory or from the memory card and supports background music when you can, while listening to music, use another phone function (e.g. Messages, Calculator). You can stop the "background" playback in the Music application (Menu/Multimedia/Music) by pressing the key "5".

To control the player use the "4" to move to the previous track, press "6" to move to the next track, press "5" to start / pause playback. To control volume, use the * and # buttons. To change the type of repeat playback, use the up navigation key, to change the type of song order use the down navigation key.

**NOTICE:**

Files for playback must be stored on the memory card in the folder "My music".

Dictaphone: you can use the phone for sound recording.

Tip:

Insert the memory card first.

FM Radio: thanks to wireless reception of the FM radio you do not need to use headphones as an antenna for the reception of the FM signal. You can call or receive calls when listening to the radio without limitations. The radio sound is muted during a call. Press the keys "4" and "6" to switch between stations. Press the key "5" to stop/play FM radio broadcast playing. Use the buttons * and # to control the volume. On the radio play screen, press the left software key to enter the options menu, where you can do the following:

- **Stations list:** You can edit the name and the frequency of the selected station.
- **Manual tuning:** You can search for the frequency manually, and save it.
- **Auto tuning:** Starts automatic station search and saves the found station in the station list.
- **Settings:** Allows you turn on or off listening to the radio in the background.

5.6. Organizer

Quick dial: you can assign a telephone contact to each number key. When you press and hold down the pressed key in standby screen mode you activate dialling mode.

Calendar: You can use this function to display the calendar days.

Alarm: you can adjust the alarm, time, ringtone and snooze mode. You can have up to 5 preset active or inactive alarms. You can use up or down buttons in the "Adjust alarm clock" mode. When the cursor is on the required item you can change options of some items by pressing the right/left keys ("*/"#"). For other items press the button "Options" and then you can select the required setting.

Services: the phone supports the service of the SIM Toolkit. The offer is based on the abilities of your SIM card. Please contact your telephone operator for more information about the use of services and the charges.

Files: this function allows the display of saved files.

Calculator: allows to perform simple mathematical operations. Press repeatedly the directional keys up/down to select the required mathematical symbol for calculation. Press the left soft key to display the result.

6. Entering text

The device offers several text input modes, you can enter text or data in your contacts, edit contact records, search for names and write SMS messages.

If you want in the "text input" mode change the input method, press the "#" button. The selected input method is displayed in the upper left corner of the screen.

Letters (big, normal)

Enter the editing page, press "#" and switch the mode of entry to "letters", then use the number pad and the selected letters will appear on the screen.

Press a number key once to enter the first letter printed on the key, press quickly twice for the second letter. If the letter you want to enter is on the same key as the previous letter, wait until the cursor appears again, and then enter the next letter.

For example, if you want to enter "OK", you should press three times "6" and thus enter "o", then double press "5" and the display will show the letter "k". Press the right software key to delete the entered text.

Numbers

Go to the editing mode and press "#" to change the method of entering to "numbers". Then use the number pad and the screen will show the appropriate numbers. Individual buttons 0-9 represent numbers from 0 to 9. To enter the number you want, you can press the corresponding button. Press the right software key to delete the number.

Insert punctuation from the selection by pressing *. To speed up selection you can use the key "1" (repeated press).

For space in the text use the "0" key.

7. Care and maintenance

Battery care

The device is powered by a battery. It is necessary to charge the battery when it is empty. You achieve maximum performance of the new battery only by charging it from a fully discharged state.

If you do not use the charger, unplug it from the power outlet and from the device. Do not leave a fully charged battery charge for longer than is strictly necessary. Overcharging may shorten its life.

Temperature affects the level to which the battery can be recharged. Therefore, it is necessary to keep the battery at room temperature before charging. If the temperature of the battery exceeds 40°C, it is not possible to charge it.

Use the battery only for its intended purpose and prevent short-circuiting. Accidental short-circuiting can occur when a metallic object causes direct connection of the positive (+) and negative (-) battery terminal.

Do not use damaged battery.

Do not leave the battery in hot or cold places. It reduces its capacity and life. A device with a hot or cold battery may not work temporarily, even when the battery is fully charged.

Do not throw batteries into a fire, they could explode. Dispose of them in accordance with local regulations.

Product care and maintenance

The following recommendations will help to extend the life of your phone.

Keep the device and accessories out of the reach of small children.

Keep the device dry. All types of liquids or moisture will cause disruption of electronic circuits.

Do not store the device in hot places. High temperatures can shorten the life of electronic devices and warp or melt certain plastics.

Do not attempt to open the device in other ways than as described in this manual.

Improper handling can damage the device.

When cleaning the unit, do not use harsh chemicals or strong detergents.

**NOTICE:**

Use only the supplied or approved replacement accessories. Non-original accessories may damage your phone and may constitute breach of warranty conditions.

8. Technical specifications

Display size: 2.2"

Resolution: 240 × 320 pixels

CPU: MTK 6261D

RAM: 32 MB ROM

ROM: 32 MB ROM

Micro SDHC slot (up to 8 GB)

Camera: 0.3 M

GSM 850/900/1800/1900 MHz

Bluetooth Ver. 3.0

FM radio

Vibration

Video and music player

SIM Toolkit

Keyboard lock

Micro USB (extended) 2.0

Battery: 1000 mAh

Dimensions: 120 × 52 × 11 mm

Weight: 95 g without battery, 114 g with battery

Resistance: IP68 maximum immersion time for 60 minutes at a depth of 1,5 m

Accessories: charging adapter, USB cable, screwdriver, user manual

The above given specifications can change without prior notice.

Manufacturer address: FAST ČR, a.s., Černokostecká 1621, 251 01 Říčany

The original version is in Czech.

The CE symbol shown on the unit, in the user's manual and on the package indicates the unit meets the basic requirements of guideline R&TTE, 1995/5/EC, Guideline for low voltage 73/23/EEC. The declaration of conformity can be found at www.sencor.cz.

INSTRUCTIONS AND INFORMATION REGARDING THE DISPOSAL OF USED PACKAGING MATERIALS

Dispose of packaging material at a public waste disposal site.



DISPOSAL OF USED ELECTRICAL AND ELECTRONIC APPLIANCES

The meaning of the symbol on the product, its accessory or packaging indicates that this product shall not be treated as household waste. Please, dispose of this product at your applicable collection point for the recycling of electrical & electronic equipment waste. Alternatively in some states of the European Union or other European states you may return your products to your local retailer when buying an equivalent new product.

The correct disposal of this product will help save valuable natural resources and help in preventing the potential negative impact on the environment and human health, which could be caused as a result of improper liquidation of waste. Please ask your local authorities or the nearest waste collection centre for further details. The improper disposal of this type of waste may fall subject to national regulations for fines.

For business entities in the European Union

If you wish to dispose of an electrical or electronic device, request the necessary information from your seller or supplier.

Disposal in other countries outside the European Union

If you wish to dispose of this product, request the necessary information about the correct disposal method from local government departments or from your seller.



This appliance complies with EU rules and regulations regarding electromagnetic and electrical safety.

Changes to the text, design and technical specifications may occur without prior notice and we reserve the right to make these changes.

SENCOR®

EN Warranty conditions

Warranty card is not a part of the device packaging.

This product is warranted for the period of 24 months from the date of purchase to the end-user. Warranty is limited to the following conditions. Warranty is referred only to the customer goods using for common domestic use. The claim for service can be applied either at dealer's shop where the product was bought, or at below mentioned authorized service shops. The end-user is obligated to set up a claim immediately when the defects appeared but only till the end of warranty period. The end user is obligated to cooperate to certify the claiming defects. Only completed and clean (according to hygienic standards) product will be accepted. In case of eligible warranty claim the warranty period will be prolonged by the period from the date of claim application till the date of taking over the product by end-user, or the date the end-user is obligated to take it over. To obtain the service under this warranty, end-user is obligated to certify his claim with duly completed following documents: receipt, certificate of warranty, certificate of installation.

This warranty is void especially if apply as follows:

- Defects which were put on sale.
- Wear-out or damage caused by common use.
- The product was damaged by unprofessional or wrong installation, used in contrary to the applicable instruction manual, used in contrary to legal enactment and common process of use or used for another purpose which has been designed for.
- The product was damaged by uncared-for or insufficient maintenance.
- The product was damaged by dirt, accident of force majeure (natural disaster, fire, and flood).
- Defects on functionality caused by low duality of signal, electromagnetic field interference etc.
- The product was mechanically damaged (e.g. broken button, fall).
- Damage caused by use of unsuitable media, fillings, expendable supplies (batteries) or by unsuitable working conditions (e.g. high temperatures, high humidity, quakes).
- Repair, modification or other failure action to the product by unauthorized person.
- End-user did not prove enough his right to claim (time and place of purchase).
- Data on presented documents differs from data on products.
- Cases when the claiming product cannot be indentified according to the presented documents (e.g. the serial number or the warranty seal has been damaged).

Authorized service centers

Visit www.sencor.eu for detailed information about authorized service centers.

