



ATTIX 3  
ATTIX 5  
ATTIX 7  
ATTIX 12 GALLON  
ATTIX 19 GALLON

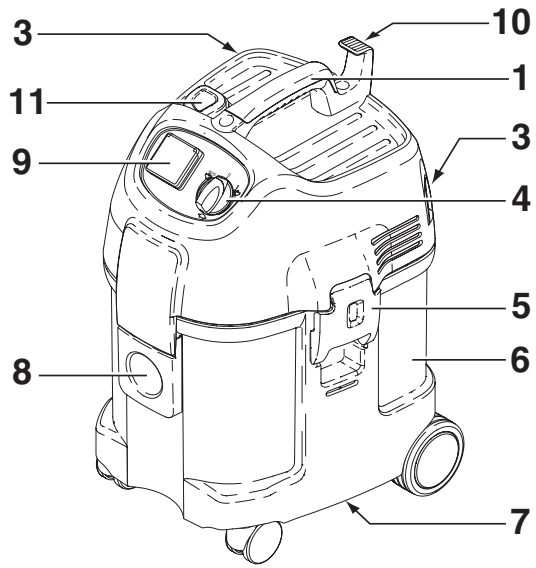


**Nilfisk  
ALTO**

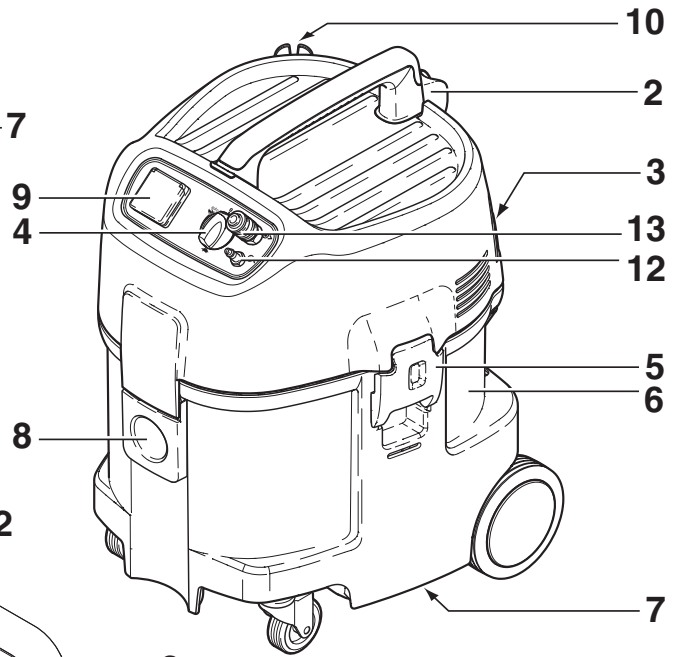
*Why Compromise*

english	Operating Instructions.....	1-13
deutsch	Betriebsanleitung.....	14-26
français	Notice d'utilisation.....	27-39
nederlands	Gebruiksaanwijzing.....	40-52
italiano	Istruzioni sull'uso.....	53-65
norsk	Driftsinstruks.....	66-78
svensk	Bruksanvisning.....	79-91
dansk	Driftsvejledning.....	92-104
suomi	Käyttöohje.....	105-117
slovensčí	Navodilo za uporabo.....	118-130
hrvatski	Uputstvo za rad.....	131-143
slovenský	Prevádzkový návod.....	144-156
český	Provozní návod.....	157-169
polski	Instrukcja obsługi.....	170-182
magyar	Kezelési utasítás.....	183-195
русский	Руководство по эксплуатации.....	196-208
español	Instrucciones de manejo.....	209-221
português	Instruções de operação.....	222-234
ελληνικά	Οδηγίες λειτουργίας.....	235-247
türkçe	İşletme kılavuzu.....	248-260

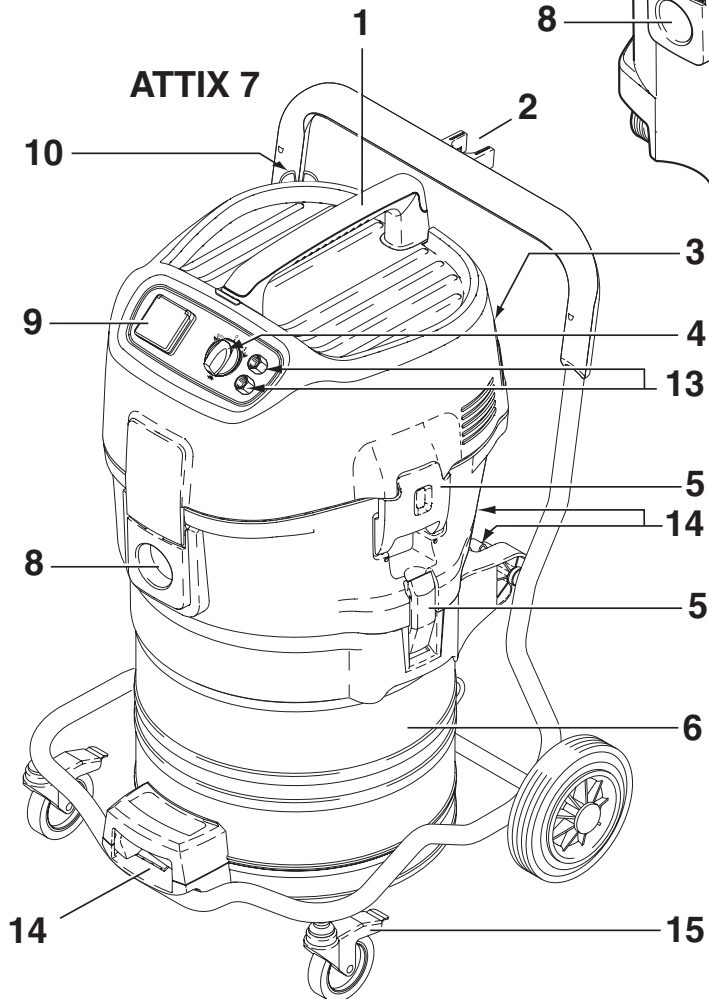
### ATTIX 3



### ATTIX 5



### ATTIX 7



# Contents

<b>1 Important safety instructions</b>	.....	2
<b>2 Description</b>	2.1 Purpose.....	4
	2.2 Operating elements.....	4
<b>3 Before starting</b>	3.1 Assembling the vacuum cleaner .....	4
<b>4 Operation</b>	4.1 Connections .....	5
	4.1.1 Connecting the suction hose.....	5
	4.1.2 Electrical connection .....	5
	4.1.3 Connecting electrical appliances <sup>1)</sup> .....	5
	4.1.4 Connecting pneumatic tools <sup>1)</sup> .....	5
	4.2 Switching on the vacuum cleaner.....	5
	4.2.1 Switch position "I".....	5
	4.2.2 Switch position "auto" <sup>1)</sup> .....	5
	4.2.3 Setting suction power <sup>1)</sup> .....	6
	4.3 Cleaning the filter element .....	6
	4.3.1 Cleaning the filter element (Push&Clean System) <sup>1)</sup> .....	6
	4.3.2 Cleaning the filter element (Automatic Filter Cleaning System) <sup>1)</sup> .....	6
<b>5 Applications and techniques</b>	5.1 Techniques .....	6
	5.1.1 Picking up dry substances .....	7
	5.1.2 Picking up liquids.....	7
<b>6 After finishing work</b>	6.1 Switching the vacuum cleaner off and storage.....	7
<b>7 Maintenance</b>	7.1 Maintenance plan .....	8
	7.2 Maintenance work .....	8
	7.2.1 Replacing the waste bag .....	8
	7.2.2 Replacing the filter bag.....	8
	7.2.3 Emptying dirt tank (ATTIX 3 / 5 / 12 GALLON).....	9
	7.2.4 Emptying the dirt tank (ATTIX 7/19 GALLON).....	9
	7.2.5 Replacing filter element (Push&Clean System) <sup>1)</sup> .....	9
	7.2.6 Replacing filter element (Automatic Filter Cleaning System) <sup>1)</sup> .....	10
<b>8 Troubleshooting</b>	.....	11
<b>9 Further information</b>	9.1 Recycling the vacuum cleaner .....	12
	9.2 Guarantee .....	12
	9.3 Tests and approvals .....	12
	9.4 Technical data .....	13
	9.5 Accessories.....	13
	9.6 EC declaration of conformity .....	13

<sup>1)</sup> Option depending on model

# 1 Important safety instructions

## Symbols used to mark instructions



ily available.

Before using the vacuum cleaner, always read the operating instructions and keep them read-



to the vacuum cleaner and its performance.

This symbol is used to mark safety instructions that must be observed to prevent damage



prevent damage to persons.

This symbol is used to mark safety instructions that must be observed to



operation.

This symbol indicates tips and instructions to

## For your own safety

Only allow the vacuum cleaner to be used by persons who have been trained in its use and who have been explicitly authorized to use it.

is subject to valid national regulations. Besides the operating instructions and the binding accident prevention regulations valid in the country of use, observe recognized regulations for safety and proper use.

Despite its simple handling the vacuum cleaner is not suitable for children.

Do not use any unsafe work techniques.

The use of the vacuum cleaner

## Transport

Before transporting the dirt tank, close all the locks.

liquid in the dirt tank.

Do not tilt the cleaner if there is

Do use a crane hook to lift the cleaner.

## Purpose and intended use



The vacuum cleaners described in this operating manual are suitable for

- commercial use, e.g. in hotels, schools, hospitals, factories, shops, offices and rental businesses.

cleaner:

- hazardous dust
- hot materials (burning cigarettes, hot ash, etc.)
- flammable, explosive, aggressive liquids (e.g. petrol, solvents, acids, alkalis, etc.)
- flammable, explosive dust (e.g. magnesium or aluminium dust, etc.)

The following materials should not be picked up by the vacuum

## Precautions and safety regulations when using the vacuum cleaner

### Before start-up

Inspect power cord regularly to detect signs of damage, e.g. cracks or ageing.

If the power cord is damaged, it must be replaced by Alto-Service or an electrician to avoid danger before use of the vacuum cleaner is continued.

Use only the type of power cord specified in the operating manual.

Do not damage the power cord (e.g. by moving over it or pulling or crushing it).

Disconnect the power cord by pulling the plug only (do not pull

or tug the power cord).

Inspect the vacuum cleaners to ensure that they are in proper condition. Plugs and couplings in power cords must at least have splash protection.

Never use the vacuum cleaner if the filter element is damaged.

## Picking up liquids

If foam develops or liquid emerges, stop work immediately and empty the dirt tank.

Regularly clean the built in float<sup>1)</sup> or level indicator hose to limit the

water level<sup>1)</sup> and check that they are not damaged.

See section 5 for information on handling liquids and (hazardous) dust.

## Electrical components

Check the rated voltage of the vacuum cleaner before connecting it to the mains supply system. Ensure that the voltage shown on the rating plate corresponds to the voltage of the local mains power supply.

If you are using an extension cord, use only those specified by the manufacturer or higher quality ones (see section 9.4 „Technical data“).

It is recommended that the vacuum cleaner should be connected via a residual current circuit breaker. This stops the supply of electricity if the leakage current to earth exceeds 30 mA for 30 ms or it has an earth tester circuit.

When using an extension lead, check the minimum cross-sections of the cable:

Cable length m	Cross section	
	<16 A	<25 A
up to 20 m	ø1.5mm <sup>2</sup>	ø2.5mm <sup>2</sup>
20 to 50 m	ø2.5mm <sup>2</sup>	ø4.0mm <sup>2</sup>

Arrange the electrical parts (sockets, plugs and couplings) and lay down the extension lead so that the protection class is maintained.

Never spray water on to the upper section of the vacuum cleaner. Danger for persons, risk or short-circuiting.

Observe the latest edition of the IEC regulations.

## Tool socket

Use the socket on the vacuum cleaner for the purpose defined in the operating instructions only.

Before plugging an appliance into the appliance socket:

1. Switch off the vacuum cleaner.

2. Switch off the appliance to be connected.

### CAUTION!

Follow the operating instructions and safety instructions for appliances connected to the power tool socket.

## Maintenance, cleaning and repair

Only carry out maintenance work described in the operating instructions.

Always pull out the mains plug before cleaning and maintenance of the vacuum cleaner.

<sup>1)</sup> Option depending on model

english

**Accessories and spare parts**

Use only the brushes supplied with the vacuum cleaner or specified in the operating manual. The use of other brushes can adversely affect safety.

Use only original Alto accessories and spare parts (see section 9.5). The use of other parts can adversely affect safety.

## 2 Description

### 2.1 Purpose

When used properly, the industrial vacuum cleaners described in these instructions

are suitable for sucking up dry, non-flammable, non-hazardous dusts and liquids.

### 2.2 Operating elements

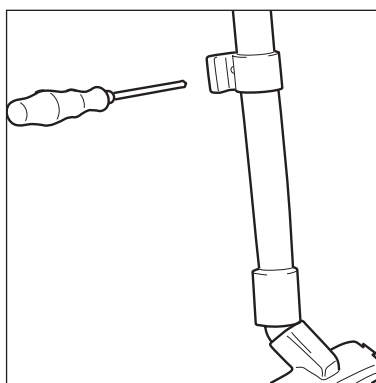
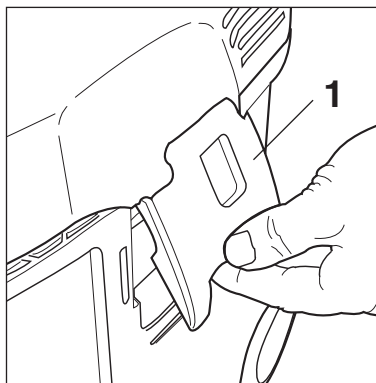
See fold-out page at front of these operating instructions.

- 1 Handle
- 2 Suction pipe support
- 3 Accessory holder
- 4 Appliance switch with suction power control<sup>1)</sup>
- 5 Retaining clamp
- 6 Dirt tank
- 7 Grip to empty tank<sup>1)</sup>

- 8 Inlet fitting
- 9 Appliance socket<sup>1)</sup>
- 10 Cable hook
- 11 Operating knob for filter cleaning<sup>1)</sup>
- 12 Connection for compressed air supply<sup>1)</sup>
- 13 Connection for pneumatic tool<sup>1)</sup>
- 14 Tank locks<sup>1)</sup>
- 15 Castor with brake

## 3 Before starting

### 3.1 Assembling the vacuum cleaner



1. The mains plug should not yet be inserted into a socket.
2. Open the retaining clamps (1) and remove upper section of the cleaner.
3. Take the accessories<sup>1)</sup> out of the dirt tank and the packaging.
4. Place a filter bag into the tank as described in the instructions (printed on the filter bag).

**IMPORTANT!**

Press the filter bag connection firmly on to the inlet fitting.

5. Fit the upper section of the cleaner (do not damage the filter bag) and close the retaining clamps.

**NOTE!**

Ensure that the retaining clamps fit properly.

6. Fit the suction tube fastener<sup>1)</sup> about 20 cm from the edge of the lower extension tube as shown in the figure.



*On delivery some of the accessories are lying in the tank and must be removed before the vacuum cleaner is used for the first time. Remove the upper section of the vacuum cleaner: The mains plug should not yet be inserted into a socket.*

# 4 Operation

## 4.1 Connections

### 4.1.1 Connecting the suction hose

1. Connect the suction hose.

### 4.1.2 Electrical connection

*The operating voltage shown on the rating plate must correspond to the voltage of the mains power supply.*

1. Ensure that the cleaner is switched off.
2. Insert the power cord into a properly installed and fused socket with earthing contact.

### 4.1.3 Connecting electrical appliances<sup>1)</sup>



*Before switching the switch to position „auto“, ensure that the tool connected to the appliance socket is switched off.*

*To comply with regulations, only approved dust producing tools should be connected.*

*The maximum power consumption of the connected electrical appliance is stated in section 9.4 "Technical data".*

1. Connect the electrical appliance to the appliance socket<sup>1)</sup> on the control panel.

### 4.1.4 Connecting pneumatic tools<sup>1)</sup>



*Before switching the switch to position „auto“, ensure that the tool connected to the appliance socket is*

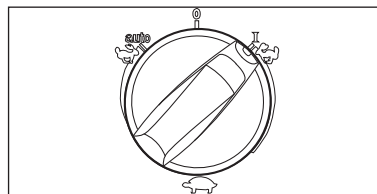
*switched off.*

*Operating pressure of the pneumatic tool is stated in section 9.4 "Technical data".*

1. Connect the pneumatic tool to the upper quick coupling<sup>1)</sup> on the control panel.
2. Connect the compressed air supply to the lower push-in nipple<sup>1)</sup>.

## 4.2 Switching on the vacuum cleaner

### 4.2.1 Switch position "I"

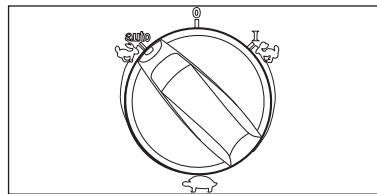


1. Turn the switch to position "I".  
The vacuum cleaner motor starts.

### 4.2.2 Switch position "auto"<sup>1)</sup>



*Before switching the switch to position „auto“, ensure that the tool connected to the appliance socket is switched off.*

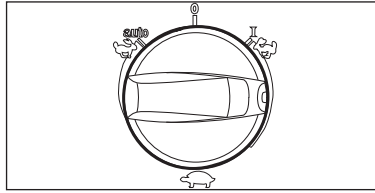


1. Turn the switch to position "auto"<sup>1)</sup>.  
The vacuum cleaner motor starts when the connected power tool/pneumatic tool is switched on.
2. When the power tool is switched off, the vacuum cleaner continues to run for a short moment so that any dust in the suction hose is conveyed to the filter bag.

<sup>1)</sup> Option depending on model

english

### 4.2.3 Setting suction power<sup>1)</sup>



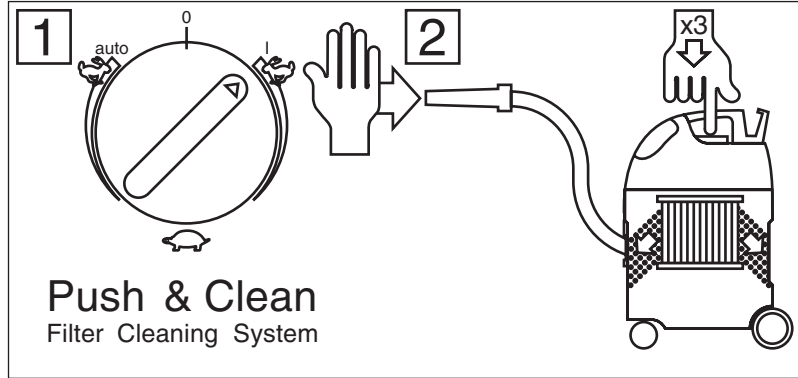
The motor speed and the suction power can be varied with the suction power control<sup>1)</sup>. This allows precise adaptation of the suction power for different cleaning tasks.

### 4.3 Cleaning the filter element

#### 4.3.1 Cleaning the filter element (Push&Clean System)<sup>1)</sup>



If suction performance drops.

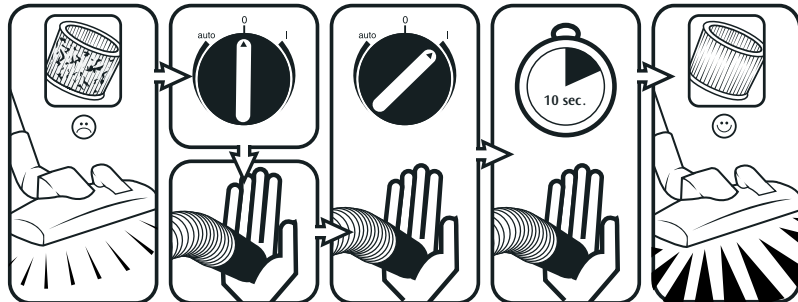


1. Set the suction power to maximum.
2. Close the nozzles or suction hose opening with the palm of your hand.
3. Press the button to start filter cleaning three times. The resulting stream of air removes attached dust from the slats of the filter elements.

#### 4.3.2 Cleaning the filter element (Automatic Filter Cleaning System)<sup>1)</sup>



To ensure that suction performance is always at its best, the filter element is automatically cleaned during operation. We recommend complete cleaning if the filter element becomes extremely dirty.



1. Switch off the vacuum cleaner
2. Close the nozzles or suction hose opening with the palm of your hand.
3. Turn the switch to position „I“ and let the cleaner operate for approx. 10 seconds with the suction hose opening closed.

## 5 Applications and techniques

### 5.1 Techniques

If used correctly, additional accessories, suction nozzles and suction hoses can enhance the cleaning action and reduce the cleaning effort.

Effective cleaning is achieved if you follow just a few guidelines in combination with your own practical experience in special fields.

Here are some basic tips.

### 5.1.1 Picking up dry substances



**CAUTION!**  
Do not pick up flammable substances.

Before picking up dry substances, always ensure that a filter bag is inserted in the tank (see section 9.5 "Accessories" for order number). Disposal of the picked up material is then simple and hygienic.

After picking up liquids, the filter element is wet. A damp filter element clogs more quickly when dry substances are picked up. For this reason the filter element should be washed and dried or replaced by a dry element before dry substances are picked up.

### 5.1.2 Picking up liquids



**CAUTION!**  
Do not pick up flammable liquids.

Before liquids are picked up, always remove the filter bag/waste bag and check that the float<sup>1)</sup> or the water level limit<sup>1)</sup> works properly. (See section 7.2.4 and 7.2.5 "Replacing the filter element".)

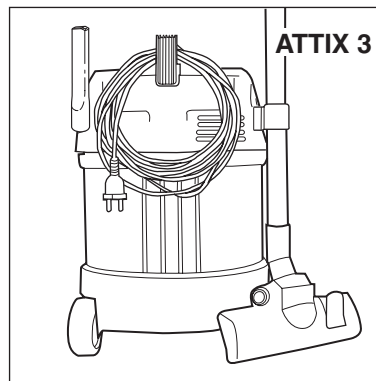
The use of a separate filter element or filter screen is recommended.

If foam appears, stop work immediately and empty the tank.

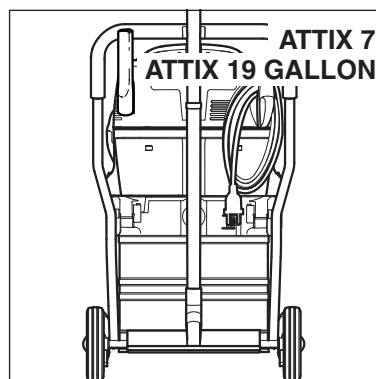
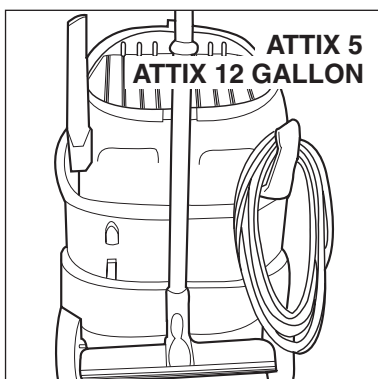
To reduce the amount of foam, use foam killer Alto Foam Stop (see section 9.5 "Accessories" for order number).

## 6 After finishing work

### 6.1 Switching the vacuum cleaner off and storage



1. Switch off the vacuum cleaner and pull the mains plug out of the socket.
2. Wind up the power cord and hang it on the handle.
3. Empty the tank and clean the vacuum cleaner.
4. After picking up liquids: Store the upper section of the cleaner separately so that the filter element can dry.
5. Store the cleaner in a dry room where it is protected from unauthorized use.



<sup>1)</sup> Option depending on model

# 7 Maintenance

## 7.1 Maintenance plan

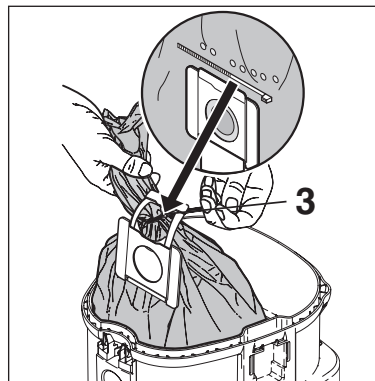
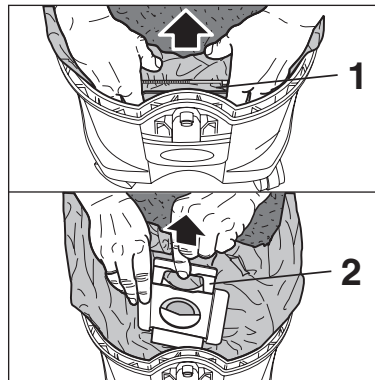
		After finishing work	As required
7.2.1	Replacing the waste bag		●
7.2.2	Replacing the filter bag		●
7.2.3	Emptying dirt tank (ATTIX 3 / ATTIX 5 / 12 GAL)	●	
7.2.4	Emptying dirt tank (ATTIX 7 / 19 GAL)	●	
7.2.5	Replacing filter element (Push&Clean System) <sup>1)</sup>		●
7.2.6	Replacing filter element (Automatic Filter Cleaning System) <sup>1)</sup>		●

## 7.2 Maintenance work

### 7.2.1 Replacing the waste bag



Press the waste bag connection of the new waste bag firmly on to the inlet fitting.

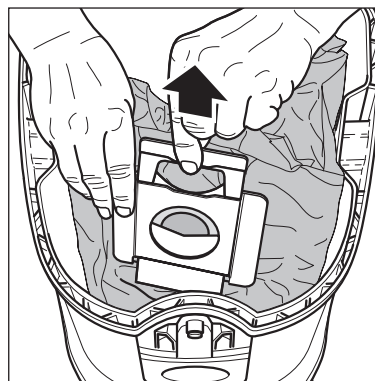


1. Open the retaining clamps and remove the upper section of the cleaner from the dirt tank.
2. Carefully remove the waste bag connection (1) from the inlet fitting.
3. Close the waste bag connection with the slide (2).
4. Close the waste bag using the cable binder (3).
5. Dispose of the dirt in accordance with legal regulations.
6. Insert a new waste bag into the cleaned tank as described in the instructions enclosed.

### 7.2.2 Replacing the filter bag

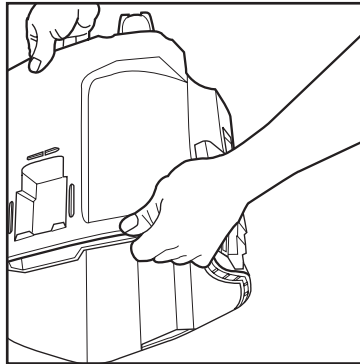


Press the filter bag connection of the new filter bag firmly on to the inlet fitting.



1. Open the retaining clamps and remove the upper section of the cleaner from the dirt tank.
2. Carefully remove the filter bag connection from the inlet fitting.
3. Close the filter bag connection with the slide.
4. Dispose of the filter bag in accordance with legal regulations.
5. Place a new filter bag into the cleaned tank as described in the instructions (printed on the filter bag).

### 7.2.3 Emptying dirt tank (ATTIX 3 / 5 / 12 GALLON)

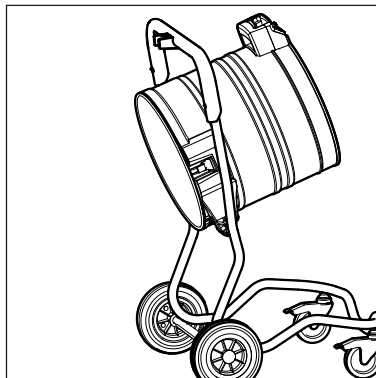
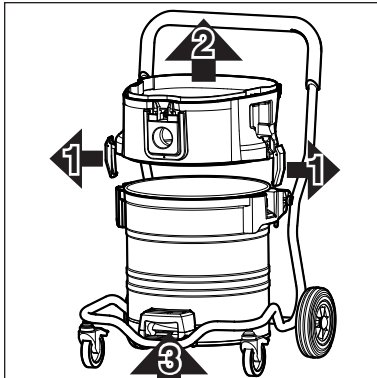


1. Remove the upper section of the cleaner from the dirt tank.
2. Hold the dirt tank at the grip underneath the tank and tip out the dirt.
3. Dispose of the dirt in accordance with legal regulations.
4. Clean the rim of the tank before fitting the upper section of cleaner.

Before reinserting the suction hose:

5. Clean the inlet fitting and hose collar.

### 7.2.4 Emptying the dirt tank (ATTIX 7/19 GALLON)



1. Remove the upper section of cleaner from the dirt tank.
2. Open the retaining clamps (1) and remove the intermediate ring (2) from the tank.
3. Pull the lever in the handle (3) upwards and tilt the tank.
4. Tip out the collected dirt.
5. Dispose of the dirt in accordance with legal regulations.

or:

1. Open the tank locks (4).
2. Use the handles (5) to lift the tank out of the frame.
4. Tip out the collected dirt.
5. Place the empty tank in the frame and close the locks (4).
6. Dispose of the dirt in accordance with legal regulations.

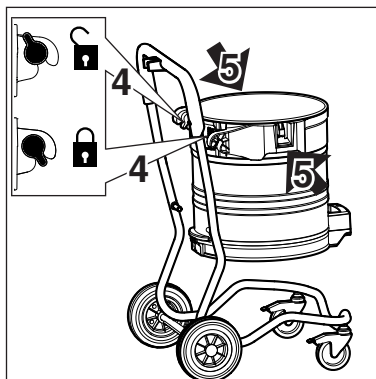


To empty the dirt tank after picking up liquids: remove the intermediate ring as a proper seal is only ensured during suction.

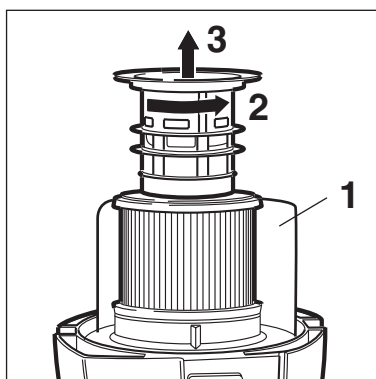
After emptying the tank: clean the rim of the tank and the seals in the intermediate ring and the upper section of cleaner before refitting them.

If the seal or groove is dirty or damaged, the suction performance will be reduced.

Before reinserting the suction hose: clean the inlet fitting and hose collar.



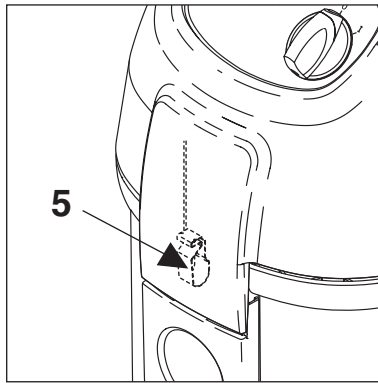
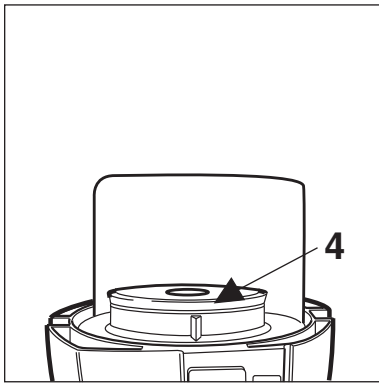
### 7.2.5 Replacing filter element (Push&Clean System)<sup>1)</sup>



1. Remove the upper section of the cleaner from the dirt tank and deposit with the filter element facing upwards. Do not place the upper section of the cleaner on the guard (1).
2. Turn the filter holder anti-clockwise (2) and remove it (3).
3. Carefully remove the filter element.

<sup>1)</sup> Option depending on model

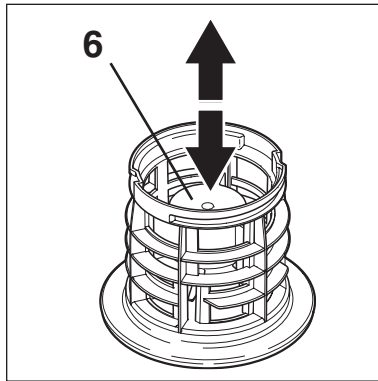
english



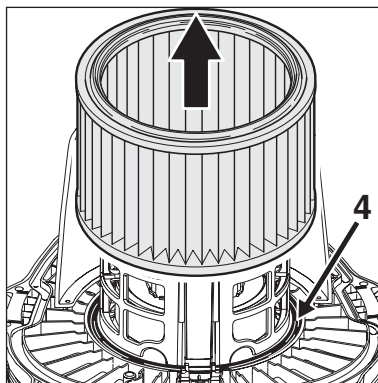
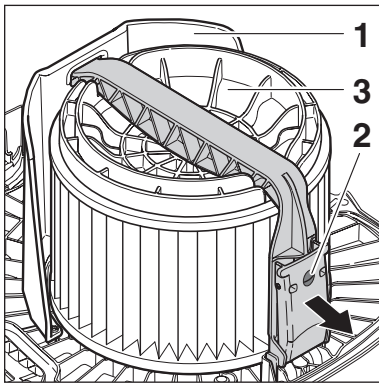
4. Clean the filter seal (4). Check it for damage and replace if necessary.
5. Check antistatic clamp (5) for damage and have it replaced by Alto Service if necessary.
6. Check the floater (6) for proper operation: When you turn the filter holder, the floater should move back and forth easily.
7. Fit a new filter element.
8. Fit the filter holder and turn it clockwise to secure it.
9. Dispose of the used filter element in accordance with legal regulations.



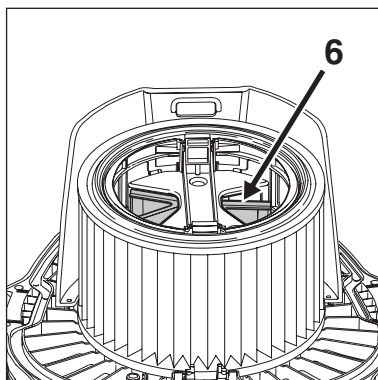
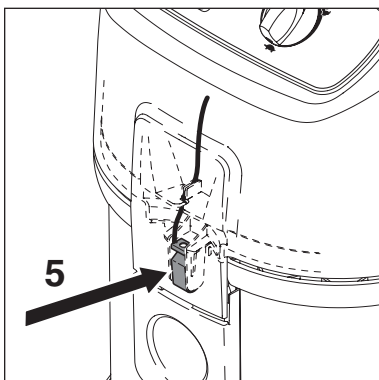
**Never use the vacuum cleaner without a filter.**



### 7.2.6 Replacing filter element (Automatic Filter Cleaning System)<sup>1)</sup>

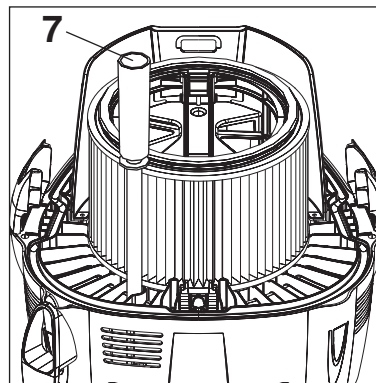


1. Open the retaining clamps and remove the upper section of the cleaner from the dirt tank. Lay the upper section of the cleaner down with the filter element facing upwards. Do not place the upper section of the cleaner on the guard (1) and do not damage the filter element.
2. Open the bar handle (2) and remove it.
3. Remove the filter holder (3).
4. Carefully remove the filter element.
5. Clean the filter seal (4). Check it for damage and replace it if necessary.
6. Check the antistatic clamp (5) for damage and have it replaced by Alto Service if necessary.
7. Check that the control flap (6) for filter cleaning works properly. The control flap should move back and forwards easily.





**Never use the vacuum cleaner without a filter.**



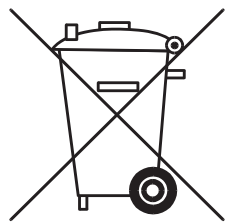
8. Clean the level hose (7).
9. Fit a new filter element.
10. Fit the filter holder. Ensure that it is in the correct position.
11. Fit bar and close bar handle.
12. Dispose of the used filter element in accordance with legal regulations.

## 8 Troubleshooting

Fault	Cause	Remedy
‡ Motor does not start	<ul style="list-style-type: none"> <li>&gt; Fuse of the mains socket has blown.</li> <li>&gt; Overload protection switch has tripped.</li> <li>&gt; Self-acting carbon brush is worn.</li> </ul>	<ul style="list-style-type: none"> <li>• Connect mains fuse.</li> <li>• Switch off the vacuum cleaner and allow it to cool for approx. 5 minutes. If the cleaner cannot be started again, contact the Alto service department.</li> <li>• Have carbon brushes changed by Alto Service.</li> </ul>
‡ Motor does not run in automatic mode	<ul style="list-style-type: none"> <li>&gt; Power tool/pneumatic tool is defective or not connected properly.</li> <li>&gt; The power rating of the electrical tool is too low.</li> </ul>	<ul style="list-style-type: none"> <li>• Check that the power tool works or that the plug is inserted correctly.</li> <li>• Note that minimum power rating is P&gt;40W</li> </ul>
‡ Reduced suction power	<ul style="list-style-type: none"> <li>&gt; Suction power selected with suction power control is too low.</li> <li>&gt; Clogged suction hose/nozzle.</li> <li>&gt; Filter bag is full.</li> <li>&gt; Filter element is clogged.</li> <li>&gt; Automatic Filter Cleaning System only: Defective cleaning mechanism</li> </ul>	<ul style="list-style-type: none"> <li>• Set suction power in accordance with section 4.2.3. „Setting suction power“.</li> <li>• Clean suction hose/nozzle</li> <li>• See section 7.2.2 „Replacing filter bag“.</li> <li>• See section 4.5 „Cleaning filter element“ and 7.2.5+7.2.6 „Replacing filter element“.</li> <li>• Contact Alto Service</li> </ul>
‡ No suction power during wet cleaning	<ul style="list-style-type: none"> <li>&gt; Tank is full. (Float has closed the suction opening).</li> </ul>	<ul style="list-style-type: none"> <li>• Switch off the cleaner. Empty the tank.</li> </ul>
‡ The vacuum cleaner switches off during wet cleaning	<ul style="list-style-type: none"> <li>&gt; Tank is full.</li> </ul>	<ul style="list-style-type: none"> <li>• Switch off the cleaner. Empty the tank.</li> </ul>
‡ Voltage fluctuations	<ul style="list-style-type: none"> <li>&gt; Impedance of power supply is too high.</li> </ul>	<ul style="list-style-type: none"> <li>• Connect the cleaner to another socket closer to the fuse box. Voltage fluctuations over 7% should not occur if the impedance at the transfer point is <math>\leq 0.15 \Omega</math>.</li> </ul>

## 9 Further information

### 9.1 Recycling the vacuum cleaner



Make the old cleaner unusable immediately.

1. Unplug the cleaner and cut the power cord.

Do not discard of electrical appliances with household waste.

As specified in European Directive 2002/96/EC on old electrical

and electronic appliances, used electrical goods must be collected separately and recycled ecologically.

Contact your local authorities or your nearest dealer for further information.

### 9.2 Guarantee

Our general conditions of business are applicable with regard to the guarantee.

Subject to change as a result of technical advances.

### 9.3 Tests and approvals

Electrical tests must be performed in accordance with the provisions of safety regulations (VBG4) and to DIN VDE 0701 Part 1 and Part 3. In accordance with DIN VDE 0702 these tests must be performed

at regular intervals and after repairs or modifications.

The vacuum cleaner has been approved in accordance with IEC/EN 60335-2-69.

## 9.4 Technical data

english

		ATTIX 3 / 5 / 7				ATTIX 12 GALLON	ATTIX 12 GALLON RDF EC 12 GALLON AS/E	ATTIX 12 GALLON RDFD 12 GALLON AS/PE	ATTIX 19 GALLON 19 GALLON AS/PE2
		EU	CH, DK	GB230/240V	GB 110V	US 120 V			
Voltage	V	230		230/240	110	120			
Mains frequency	Hz	50/60				60			
Fuse	A	16	10	13	16	15			
Power consumption	W (HP)	1200				1000 (1.4)	840 (1.1)	940 (1.3)	1040 (1.4)
Connected load for appliance socket	W (HP)	2400	1100	1800	560	-	600 (0.8)	500 (0.7)	400 (0.5)
Total connected load	W (HP)	3600	2300	3000	1760	1000 (1.4)	1440 (1.9)		



		ATTIX 350-01	ATTIX 360-11 360-21	ATTIX 550-01 550-11 MOBIL 550-21 / 590-21 560-21 / 560-31	ATTIX 12 GALLON 12 GALLON RDF EC 12 GALLON AS/E 12 GALLON RDFD 12 GALLON AS/PE	ATTIX 751-01 / 751-11 751-21 / 761-21 XC 791-21	ATTIX 19 GAL 19 GAL AS/PE2
Volume flow (air)	l/min (cfm)	3600 (127)					
Negative pressure (water lift)	Pa (in)	23000 (93)				23000 (93) 25000 (100) <sup>2)</sup>	23000 (93)
Sound pressure level at a distance of 1 m, EN 60704-1	dB(A)	62		60		64	
Operating noise	dB(A)	59		57			
Power cord: Length	m (ft)	7.5		7.5 10.0(GB)	7.5 (25)		
Power cord: Type		H05RR-F 2x0.75	H05RR-F 3x1.5	H05RR-F 3x0.75 H05RR-F 3x1.5 <sup>1)</sup>	SJTW-A AWG 18/3 <sup>4)</sup> SJTW-A AWG 14/3	H05RR-F 3x1.5 H07BQ-F 3x2.5	SJTW-A AWG 14/3
Protection class		II		I			
Type of protection (splash water protected)		IP X4					
Radio interference level		EN 55014-1					
Tank volume	l (gal)	27		45 (12)		70 (19)	
Width	mm (in)	380		476 (19)		580 (23)	
Depth	mm (in)	390		506 (20)		605 (24)	
Height	mm (in)	570		655 (26)		970 (38)	
Weight	kg (lb)	10		14 / 16 <sup>1)</sup>		25 / 27 <sup>3)</sup> (56/60)	
<sup>1)</sup> ATTIX 560-21/-31, ATTIX 12 GALLON RDFD, ATTIX 12 GALLON AS/PE				<sup>3)</sup> ATTIX 761-21 XC / 19 GALLON AS/PE2			
<sup>2)</sup> ATTIX 791-21				<sup>4)</sup> ATTIX 12 GALLON			

## 9.5 Accessories

Description	Order No.				
	ATTIX 3	ATTIX 5 12 GAL 12 GAL RDF	ATTIX 560-21/-31 12 GAL RDFD 12 GAL AS/PE EC12 GAL AS/E	ATTIX 751 19 GAL	ATTIX 761 19 GAL AS/PE2
Filter bag(5 pcs.)	302000449	302000527	-	302001484	-
Waste bag (5 pcs.)	302000804	302000728	302000728	302001480	302001480
Filter element	302000461 11753 (ZA)	302000461 11753 (ZA)	302000726	302000461 11753 (ZA)	302000726
Cloth insert filter	302000606	302000525	-	-	-

Description	Order No.
	ATTIX 3 / 5 / 7
Filter screen	15475
Alto FoamStop (6 x 1 l)	8469

## 9.6 EC declaration of conformity

 <b>EC declaration of conformity</b>	
ALTO Deutschland GmbH Guido-Oberdorfer-Straße 2-8 D-89287 Bellenberg	
<b>Product:</b>	Vacuum cleaner for wet and dry operation
<b>Model:</b>	ATTIX 350-01 / 360-11 / 360-21 ATTIX 550-01 / 550-11 MOBIL / 550-21 ATTIX 560-21 / 560-31 / 590-21 ATTIX 751-01 / 751-11 / 751-21 / 761-21 XC / 791-21
<b>Description:</b>	110/230-240 V-, 50/60 Hz
<b>The design of the appliance corresponds to the following pertinent regulations:</b>	EC Machine Directive 98/37/EC EC Low Voltage Directive 73/23/EC EC EMC Directive 89/336/EC
<b>Applied harmonized standards:</b>	EN 12100-1, EN 12100-2 EN 60335-1 EN 60335-2-69 EN 55014-1, EN 55014-2, EN 61000-3-2
<b>Applied national standards and technical specifications:</b>	DIN EN 60335-1 DIN EN 60335-2-69
 Dipl.-Ing. Wolfgang Nieuwkamp Tests and approvals	
Bellenberg, 28.10.2004	

<sup>1)</sup> Option depending on model

**INTERNET**

<http://www.nilfisk-alto.com>

**HEADQUARTER**

Nilfisk-Advance Group  
Sognevej 25  
2605 Brøndby  
Denmark  
Tel.: +45 4323 8100

**AUSTRALIA**

Nilfisk-ALTO  
48 Egerton St.  
Silverwater NSW 2128  
Tel.: +61 2 8748 5966  
Fax: +61 2 8748 5960

**AUSTRIA**

ALTO Österreich GmbH  
Metzgerstr. 68  
5101 Bergheim/Salzburg  
Tel.: +43 6624 5 64 00-11  
Fax: +43 6624 5 64 00-34  
E-mail: [info@nilfisk-alto.at](mailto:info@nilfisk-alto.at)  
Web: [www.nilfisk-alto.at](http://www.nilfisk-alto.at)

**BRAZIL**

Wap do Brasil Ltda.  
Rua 25 de Agosto, 608  
83323-260 Pinhais/Paraná  
Tel.: +55 4 12 10 67 40 0  
Fax: +55 4 12 10 67 40 3  
E-mail: [export@wapdobrasil.com.br](mailto:export@wapdobrasil.com.br)

**CANADA**

ALTO Canada  
24 Constellation Road  
Rexdale  
Ontario M9W 1K1  
Tel.: +1 416 6 75 58 30  
Fax: +1 416 6 75 69 89

**CROATIA**

Wap ALTO Strojevi za čišćenje, d.o.o.  
Siget 18a  
10020 Zagreb  
Tel.: +385 1 65 54 144  
Fax: +385 1 65 54 112  
E-mail: [admin.wap@wap-sistemi.hr](mailto:admin.wap@wap-sistemi.hr)

**CZECH REPUBLIC**

ALTO Česká Republika s.r.o.  
Zateckých 9  
14000 Praha 4  
Tel.: +420 2 41 40 84 19  
Fax: +420 2 41 40 84 39  
E-mail: [wap\\_p@mbox.vol.cz](mailto:wap_p@mbox.vol.cz)  
Web: [www.wap-alto.cz](http://www.wap-alto.cz)

**DENMARK**

ALTO Danmark A/S  
Industrivej 1  
9560 Hadsund  
Tel.: +45 7218 21 00  
Fax: +45 7218 21 11  
E-mail: [salg@nilfisk-alto.dk](mailto:salg@nilfisk-alto.dk)  
[service@nilfisk-alto.dk](mailto:service@nilfisk-alto.dk)  
Web: [www.nilfisk-alto.dk](http://www.nilfisk-alto.dk)

**FRANCE**

ALTO France S.A.  
Aéroparc 1  
19 Rue Icare  
F- 67960 Entzheim  
Tel.: +33 3 88 28 84 00  
Fax: +33 3 88 30 05 00  
E-mail: [info@nilfisk-alto.fr](mailto:info@nilfisk-alto.fr)  
Web: [www.nilfisk-alto.com](http://www.nilfisk-alto.com)

**GERMANY**

Nilfisk-Advance AG  
Geschäftsbereich Nilfisk-ALTO  
Guido-Oberdorfer-Straße 10  
89287 Bellenberg  
Tel.: +49 0180 5 37 37 37  
Fax: +49 0180 5 37 37 38  
E-mail: [info@nilfisk-alto.de](mailto:info@nilfisk-alto.de)  
Web: [www.nilfisk-alto.de](http://www.nilfisk-alto.de)

**GREAT BRITAIN**

Nilfisk-ALTO  
Division of Nilfisk-Advance Ltd.  
Bowerbank Way  
Gilwilly Industrial Estate  
UK-Penrith, Cumbria CA 11 9BQ  
Tel.: +44 1768 86 89 95  
Fax: +44 1768 86 47 13  
E-mail: [sales@nilfisk-alto.co.uk](mailto:sales@nilfisk-alto.co.uk)  
Web: [www.nilfisk-alto.co.uk](http://www.nilfisk-alto.co.uk)

**MALAYSIA**

ALTO DEN-SIN Malaysia Sdn Bhd  
SD 14, Jalan KIP 11, Taman  
Perindustrian KIP, SRI Damansara  
52200 Kuala Lumpur  
Malaysia  
Tel.: +603 627 4 6 913  
Fax: +603 627 4 6 318  
E-mail: [densin@tm.net.my](mailto:densin@tm.net.my)

**NETHERLANDS**

ALTO Nederland BV  
Houtschelf 7  
NL-3371 KB Hardinxveld-Giessendam  
Tel.: +31 184 677 200  
Fax: +31 184 677 201  
E-mail: [info@nilfisk-alto.nl](mailto:info@nilfisk-alto.nl)  
Web: [www.nilfisk-alto.nl](http://www.nilfisk-alto.nl)

**NEW ZEALAND**

ALTO Overseas Inc.  
5A Tarndale Grove  
Albany Auckland  
Tel.: +64 9 414 4520  
Fax: +64 9 414 4521  
E-mail: [altonz@ihug.co.nz](mailto:altonz@ihug.co.nz)

**NORWAY**

ALTO Norge A/S  
Bjørnerudveien 24  
1266 Oslo  
Tel.: +47 22 75 17 70  
Fax: +47 22 75 17 71  
E-mail: [info@nilfisk-alto.no](mailto:info@nilfisk-alto.no)

**SINGAPORE**

ALTO DEN-SIN Singapore Pte Ltd.  
No. 17 Link Road  
Singapore 619034  
Tel.: +65 62 68 10 06  
Fax: +65 62 68 49 16  
E-mail: [densin@singnet.com.sg](mailto:densin@singnet.com.sg)  
Web: [www.densin.com](http://www.densin.com)

**SLOVENIA**

Wap ALTO čistilni sistemi, d.o.o.  
Letališka 33  
SLO-1110 Ljubljana  
Tel.: +368 15 20 62 00  
Fax: +368 15 20 62 10  
E-mail: [wap.prodaja@siol.net](mailto:wap.prodaja@siol.net)

**SLOWAKIA**

Wap ALTO čistiace systémy s.r.o.  
Remeselnícka 42  
83106 Bratislava-Rača  
Tel.: +421 2 44 881 402/405  
Fax: +421 2 44 881 395  
E-mail: [wap@gtinet.sk](mailto:wap@gtinet.sk)  
Web: [www.wap-alto.sk](http://www.wap-alto.sk)

**SPAIN**

Nilfisk-ALTO  
Division of Nilfisk-ALTO S.A.  
Torre D'Ara  
Paseo del Rengle, 5 Pl. 10  
E-08302 Mataró Barcelona  
Tel.: +34 93 741 24 00  
Fax: +34 93 757 80 20  
E-mail: [info@nilfisk-alto.es](mailto:info@nilfisk-alto.es)  
Web: [www.nilfisk-alto.com](http://www.nilfisk-alto.com)

**SWEDEN**

ALTO Sverige AB  
Aminogatan 18, BOX 4029  
431 04 Mölndal  
Tel.: +46 3 17 06 73 00  
Fax: +46 3 17 06 73 41  
E-mail: [info@nilfisk-alto.se](mailto:info@nilfisk-alto.se)  
Web: [www.nilfisk-alto.se](http://www.nilfisk-alto.se)

**USA**

ALTO Cleaning Systems, Inc.  
Part of the Nilfisk-Advance Group  
12249 Nations Ford Road  
28134 Pineville  
Tel.: +1 704 971 1240  
Fax: +1 704 971 1241  
E-mail: [info@altocsi.com](mailto:info@altocsi.com)  
Web: [www.nilfisk-alto.com](http://www.nilfisk-alto.com)