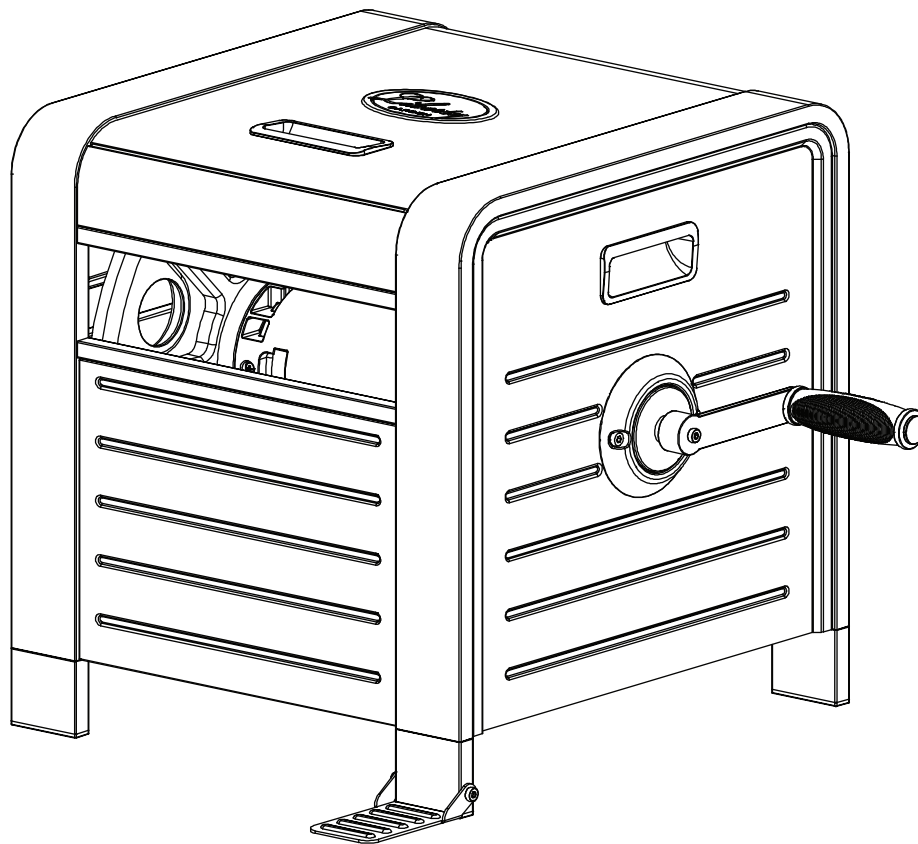


Model #778



DECORATIVE HOSE REEL BOX

Owner's Manual



VISIT OUR WEBSITE: WWW.LIBERTYGARDENPRODUCTS.COM
OR CALL US TOLL FREE AT 1-866-820-5805, MONDAY - FRIDAY 9 A.M. - 5 P.M. EST

LIBERTY GARDEN PRODUCTS, INC.
1161 SOUTH PARK DRIVE, KERNERSVILLE NC 27284

IMPORTANT: READ THE OWNER'S MANUAL BEFORE ASSEMBLING

PRE-ASSEMBLY

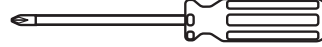
Estimated Assembly Time : 10 minutes (not including mounting the leader hose)

TOOLS REQUIRED:

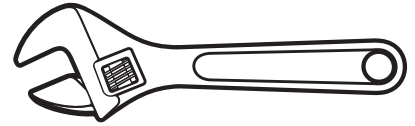
AA



AA. Allen wrench (Supplied)



Phillips screwdriver
or bit for an electric drill



Adjustable Wrench

HARDWARE INCLUDED

Note: Hardware not shown to actual size.

BB



BB. Lawn stakes (4)

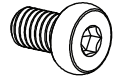
BB. Lawn stakes (4)

CC



CC. Phillips head screws (4)
M5 x 10

DD



DD. Allen screw (1)
M6 x 16

PARTS LIST

A. Crank handle (1)

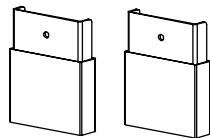
B. Slide in feet (3)

C. Hose reel box (1)

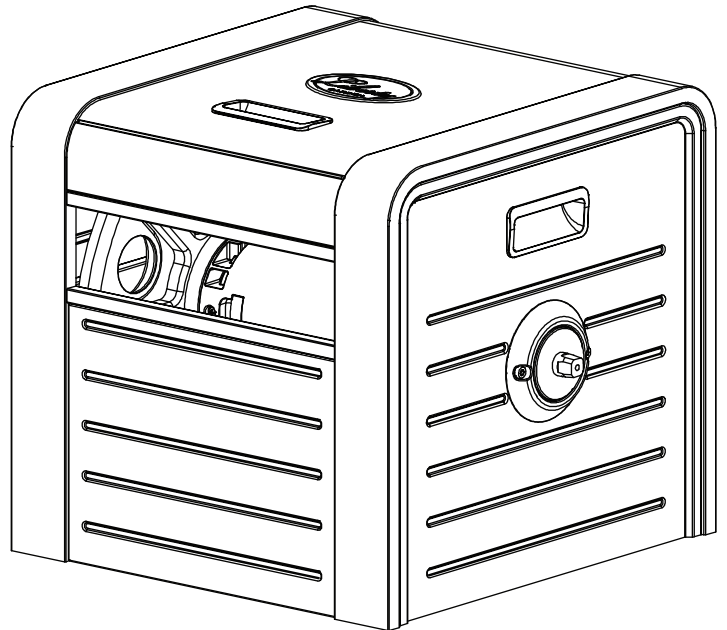
A



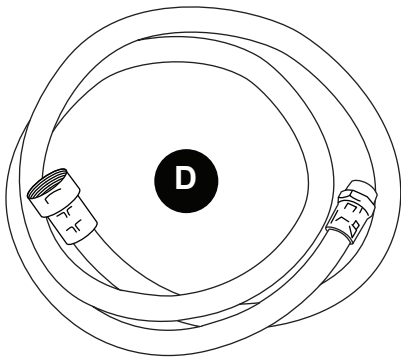
B



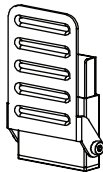
C



D



E



D. Leader Hose (1)

E. Step down foot (1)

IMPORTANT: LAY OUT ALL PARTS AND FASTENERS. MAKE SURE ALL PARTS ARE ACCOUNTED FOR. IF ANY PART IS MISSING PLEASE CONTACT LIBERTY GARDEN PRODUCTS AT **1-866-820-5805**.

DO NOT CONTACT THE RETAILER. YOU CAN ALSO VISIT OUR WEBSITE, WWW.LIBERTYGARDENPRODUCTS.COM, FOR MORE INSTRUCTIONS, PICTURES AND HELPFUL HINTS OR CONTACT CUSTOMER SERVICE at CUSTOMER_SERVICE@LIBERTYGARDENPRODUCTS.COM

ASSEMBLY

- 1** Attach the crank handle (A) to the hose reel box (C) using the m6 x 16 allen screw (DD) and tightening with the supplied allen wrench (AA).

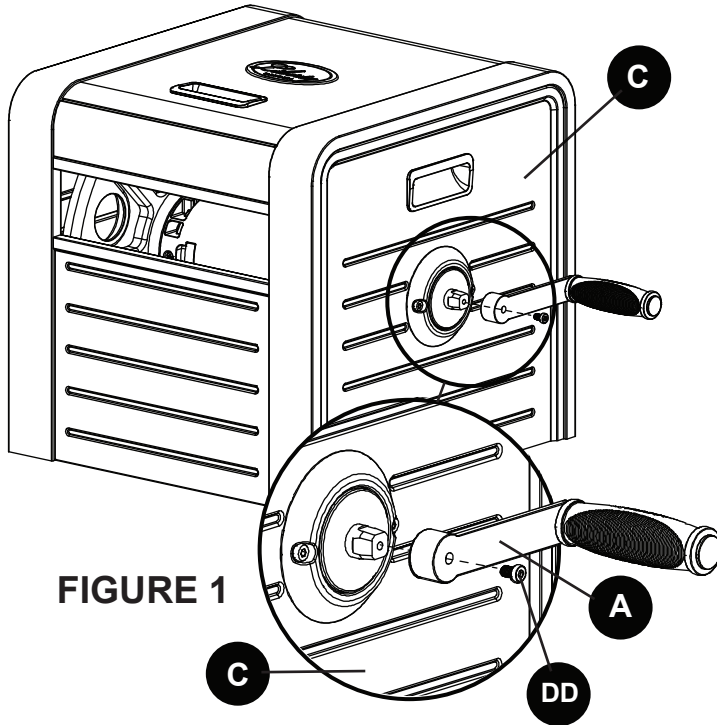


FIGURE 1

- 2** Flip the box upside down. **Note:** Make sure the lip stays closed. Line up the holes and insert the feet (B) and the step down foot holder (D). Using the four Phillips head screws (CC) tighten using a Phillips head screwdriver.

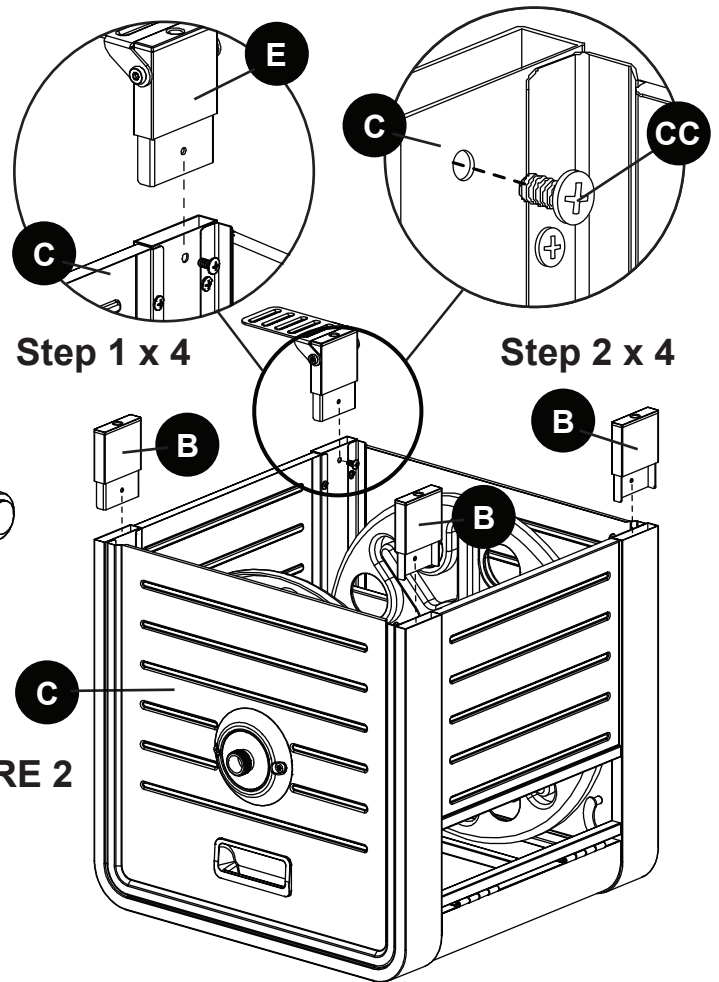
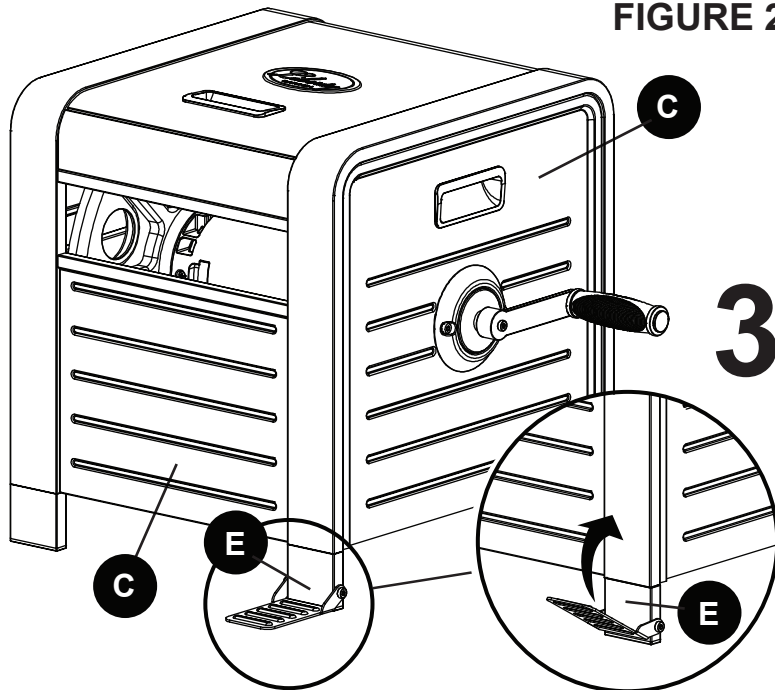


FIGURE 2

- 3** Tilt the hose reel box (C) upright and using your fingers, push the step down foot (E) down if using the product on a hard surface. When winding your hose, step on this to secure the product.

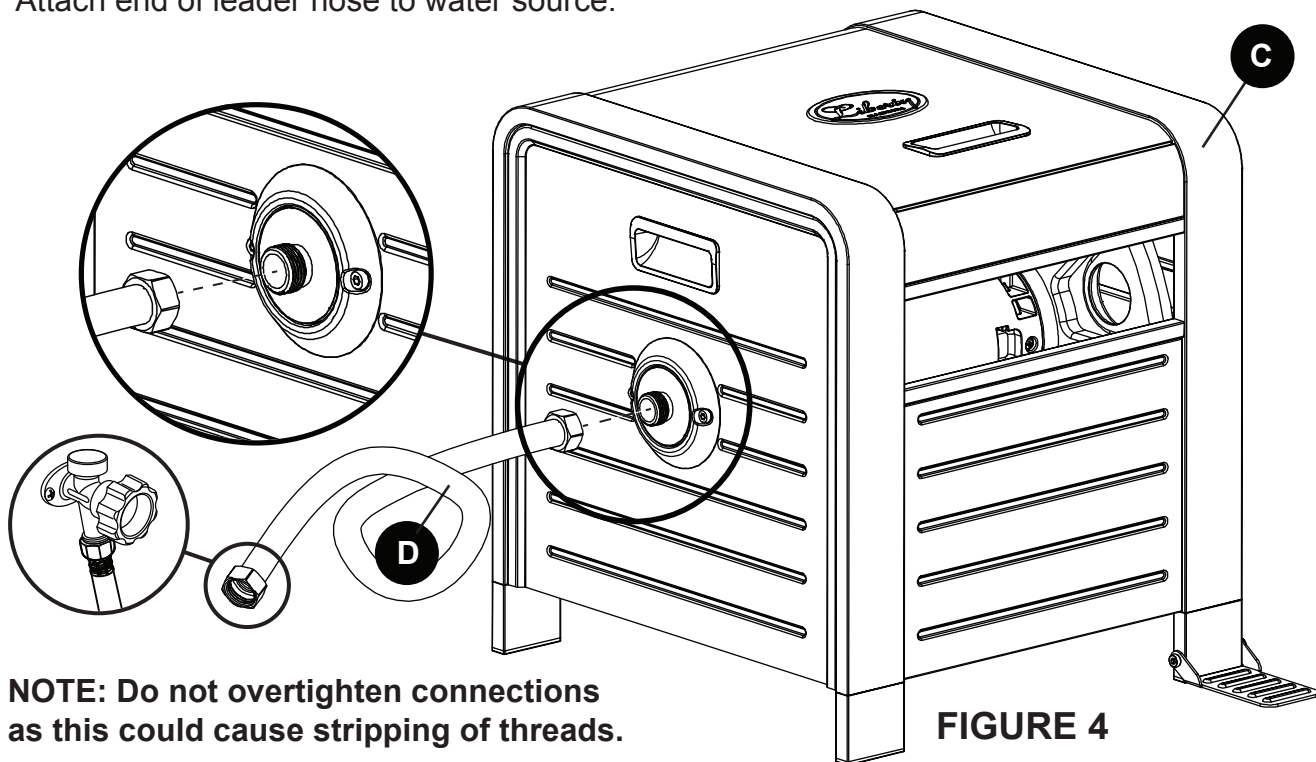


**Warning: Possible pinching hazard
Please open and close slowly.**

FIGURE 3

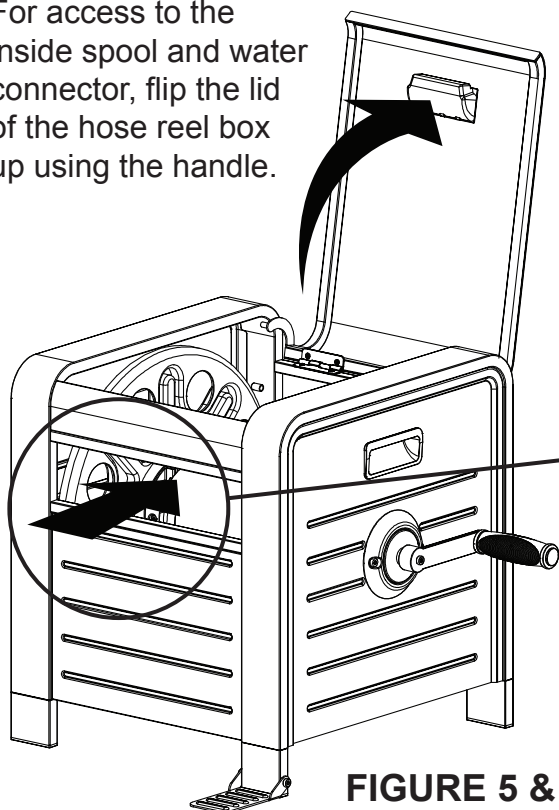
ASSEMBLY & INSTRUCTIONS

- 4** Attach leader hose (D) to the water connector on the hose reel box (C).
Attach end of leader hose to water source.

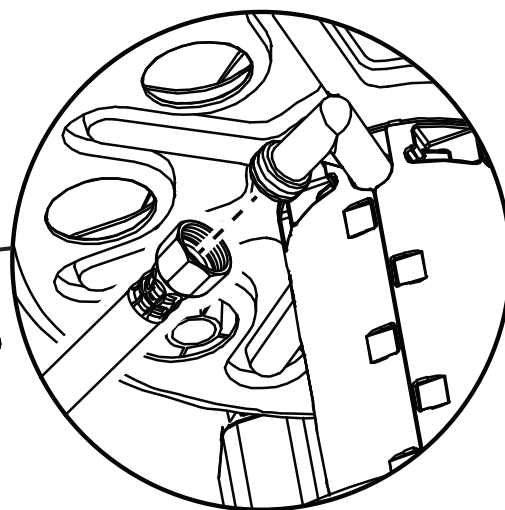


NOTE: Do not overtighten connections as this could cause stripping of threads.

- 5** For access to the inside spool and water connector, flip the lid of the hose reel box up using the handle.



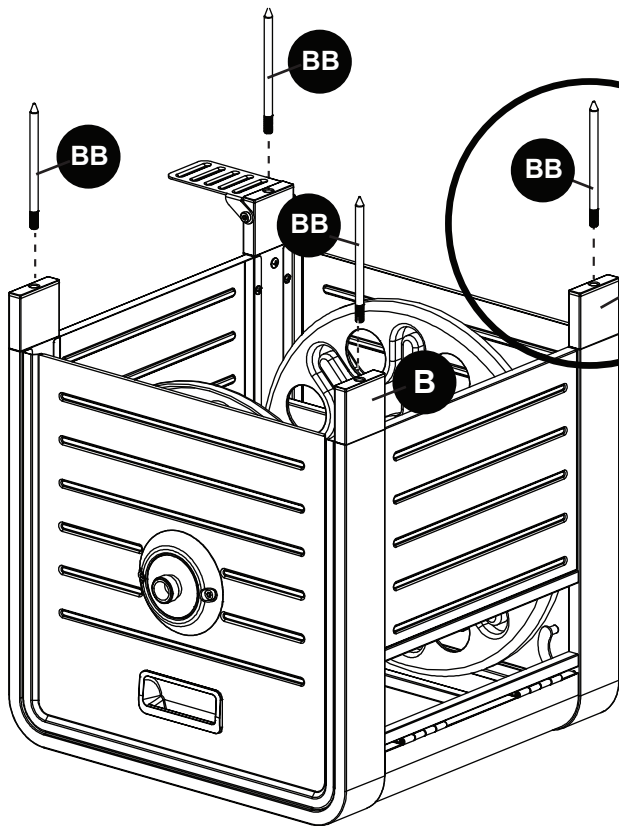
- 6** Slide garden hose into the front opening of the hose box, then tighten hose fitting on the hose reel aluminum connector. The hose is now ready to wind around the spool. The hose box holds up to 200 ft. of 5/8" garden hose.



NOTE: Check for leaks prior to using.

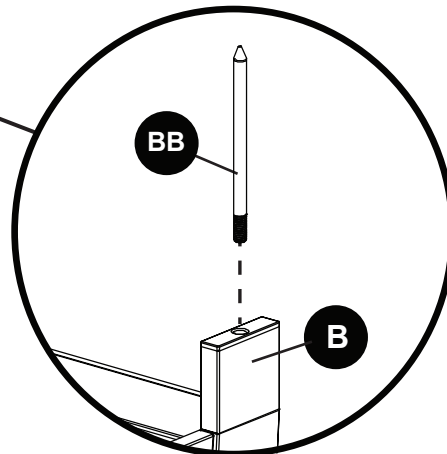
ASSEMBLY & INSTRUCTIONS

For a more secure fit into soft ground or your yard use the lawn stakes to secure unit. (BB)



7 Flip the hose reel box upside down. Using your fingers twist and tighten the lawn stakes (BB) into the slide in feet. (B)

FIGURE 7

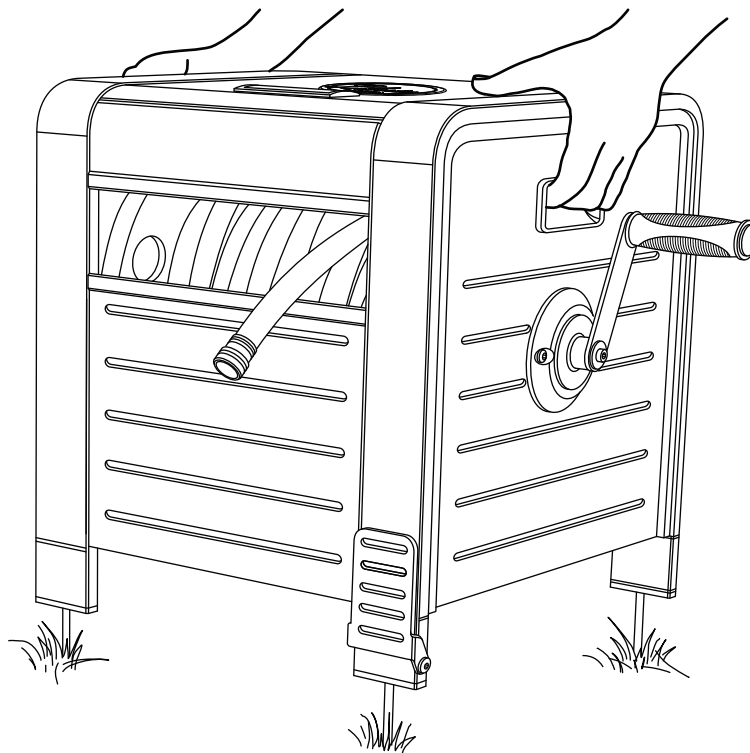


CAUTION: Product has sharp points. Improper contact may result in injury. Handle with care.

8 With the stakes installed, push down on the entire hose reel box with both hands to sink the four stakes securely in the ground or in mulch.

CAUTION: Do not sit or stand on the hose reel box. Always move using the side handles.

NOTE: Before use remove the clear plastic from the top of the lid.



CARE INSTRUCTIONS

Your hose reel box is manufactured with the finest quality components available. This product will give you many seasons of reliable and functional hose storage. All components are manufactured to rigorous quality standards not common in other consumer grade hose reels available today. As with any steel product, there is always the chance for rust developing over time. Your hose reel box finish is designed for industrial applications, but even the toughest of coatings can be compromised by scratches. Such minor surface damage can occur in shipping despite our best efforts. We have found that most scratches occur during assembly and/or installation. If the base metal is exposed to the elements long enough, rust will develop. We recommend that you periodically inspect your reel for any surface damage. Scratches can easily be repaired by using standard automotive touch-up body paint. Some of our most loyal customers recommend that at the end of each season, the unit be cleaned and painted with a clear acrylic paint.

WINTERIZING AND STORAGE

Drain the hose reel prior to the onset of freezing temperatures. If any trapped water freezes, it may cause damage to the hose reel, hose, and even your pipes.

Store the entire unit - including hose reel and hose - inside your garage or storage shed at above-freezing temperatures. Storing your hose reel inside during the winter is an excellent way of protecting your garden hose, leader hose and O-Rings.

When you install your hose reel, be sure the hose washers are in place and all fittings are secure. If you live in more tempera climates, be sure to drain the unit of any residual water before storing.

- **DO NOT EXPOSE UNIT TO FREEZING TEMPERATURES** while water remains in the plumbing system, this can damage the hose connections.
- **DO NOT** leave water running through the reel while not in use or unsupervised

We recommend that you periodically inspect your hose reel box for any surface damage.

WARNING: DO NOT consume water from garden hose; not fit for human consumption



WARNING: Cancer and Reproductive Harm
- www.p65warnings.ca.gov

**CALL US AT 1-866-820-5805 IF YOU HAVE ANY QUESTIONS
REGARDING CARE AND MAINTENANCE**

LIBERTY GARDEN PRODUCTS LIMITED WARRANTY

(Effective November 29, 2021)

This limited warranty is applicable to each original end-customer (hereinafter "Customer") purchasing the model 778 decorative hose reel box consisting of the structural metal frame and plastic spool (hereinafter the "Structural Frame") and various other non-frame components (hereinafter the "Non-Frame Parts") sold by Liberty Garden Products, Inc. (hereinafter "Company") for Customer's own use and not for resale. The Structural Frame and Non-Frame Parts are collectively referred to herein as the "Products".

1. LIMITED WARRANTY; EXCLUSIVE REMEDIES:

1.1. LIMITED WARRANTY ON PRODUCTS: Company warrants solely to the original Customer that (a) the Structural Frame will be free from defects in materials and workmanship under normal use for a period of three (3) YEAR(S) from the date of original retail purchase, and (b) the Non-Frame Parts (which consist of the crank handle, swivel and water connections, leader hose and tires), will be free from defects in materials and workmanship under normal use for a period of ONE (1) YEARS from the date of original retail purchase. Notwithstanding the foregoing, the colors and finishes of the Products may vary within a reasonable scope due to unavoidable color variations in different production batches, and such variations shall not constitute a material defect. This limited warranty is limited solely to the original Customer with proof of purchase and is not transferable.

1.2. THE WARRANTY: During a covered Product's limited warranty period, Company will, at Company's sole option and discretion, (1) repair the defective component or product without charge or (2) replace the defective component or product without charge.

1.3. The foregoing limited warranty is subject to the Customer's proper storage, transportation, handling and use of the Products as the same are defined within Company's then-current published guides and instructions for use and care. The limited warranty does not include defects due to normal wear and tear, abuse or misuse, mishandling, neglect, accident, fire, lightning, sunlight or other natural hazard, delivery or transportation damage, failure to follow applicable directions or instructions, or improper or inadequate cleaning, maintenance, care, repairs, modifications, or use beyond a Product's intended use. Please note that since the Structural Frame is made from steel rust may occur over time. As such, this limited warranty does not include rust or defects due to the same.

1.4. LIMITED WARRANTY CLAIMS PROCEDURE: To obtain performance under this limited warranty, Customer shall notify Company in writing (to Liberty Garden Products, Inc., 1161 South Park Drive, Kernersville, NC 27284, Attn: Customer Service / Warranty Department), by email (to customerservice@libertygardenproducts.com), or by telephone (to (336) 992-3595) with a full description of the defect that is covered by warranty and a copy of the dated proof of purchase of the applicable product.

- Company shall review each such claim and issue Customer a return merchandise authorization ("RMA") in the event that the described defect or condition merits warranty review as determined by Company. Customers who have been issued a RMA shall, at Company's election, return the covered item to the same physical address listed above for reporting initial claims. Company shall not accept any returned product without a RMA.

- Upon receipt, Company will evaluate the returned product(s) to determine if there is a warranty claim and, if so, how Company wishes to remedy the same. During a covered product's respective limited warranty period, Company will, at Company's sole and absolute option and discretion, (1) repair the defective component or product without charge or (2) replace the defective component or product without charge. Refunds are not available pursuant to this limited warranty.

- Customer is solely responsible for transportation of the covered product(s) to the Company for evaluation (if applicable and requested by Company). In the event that Company determines that a claim under this limited warranty is justified, Company shall be responsible for transportation of the repaired, corrected, replaced or exchanged product back to Customer. Customer shall be solely responsible for the transportation of any product back to Customer if Company determines that a claim under this warranty is not justified.

- Any repaired, corrected, replaced or exchanged Products shall be subject to the Limited Warranty set forth to the duration of the original limited warranty period as set forth in Section 1.1. and not for any extended duration, following their repair, correction, replacement or exchange.

1.5. IF A COMPANY PRODUCT DOES NOT CONFORM TO THESE LIMITED WARRANTIES, THE PURCHASER'S SOLE AND EXCLUSIVE REMEDY IS, AT COMPANY'S SOLE AND EXCLUSIVE OPTION, THE (1) REPAIR OF ANY DEFECTIVE PRODUCT OR COMPONENT PART OR (2) REPLACEMENT OF ANY DEFECTIVE PRODUCT OR COMPONENT PART. THE LIMITED WARRANTY AND REMEDIES SET FORTH ABOVE ARE EXCLUSIVE AND MADE IN LIEU OF ALL OTHER WARRANTIES, REMEDIES, RIGHTS OR CONDITIONS, WHETHER ORAL OR WRITTEN, EXPRESS OR IMPLIED, EITHER IN FACT OR BY OPERATION OF LAW, STATUTORY OR OTHERWISE, INCLUDING THE IMPLIED WARRANTIES OF MERCHANTABILITY AND FITNESS FOR A PARTICULAR PURPOSE. COMPANY SPECIFICALLY DISCLAIMS, WITHOUT LIMITATION, ANY AND ALL OTHER WARRANTIES, EXPRESS OR IMPLIED, OF ANY KIND. IF COMPANY CANNOT LAWFULLY DISCLAIM IMPLIED WARRANTIES UNDER THIS LIMITED WARRANTY, ALL SUCH WARRANTIES, INCLUDING THE IMPLIED WARRANTIES OF MERCHANTABILITY AND FITNESS FOR A PARTICULAR PURPOSE, ARE LIMITED IN DURATION TO THE DURATION OF THIS LIMITED WARRANTY. The Company does not assume or authorize any person to assume for them any other liability in connection with the Products.

LIBERTY GARDEN PRODUCTS LIMITED WARRANTY CONTINUED

2. EXCLUSION AND LIMITATION OF LIABILITY:

IN NO EVENT, WHETHER BASED ON CONTRACT OR TORT OR OTHER LEGAL THEORY, SHALL COMPANY BE LIABLE FOR ANY INDIRECT, INCIDENTAL, PUNITIVE, SPECIAL OR CONSEQUENTIAL DAMAGES, INCLUDING BUT NOT LIMITED TO, DAMAGES TO OTHER PROPERTY, INCONVENIENCE, DAMAGES FOR LOSS OF PROFITS, REVENUE, GOODWILL OR USE, INCURRED BY CUSTOMER OR ANY THIRD PARTY, WHETHER IN AN ACTION IN CONTRACT, TORT, STRICT LIABILITY, OR IMPOSED BY STATUTE, OR OTHERWISE, EVEN IF ADVISED OF THE POSSIBILITY OF SUCH DAMAGES. Some states do not allow the exclusion or limitation of incidental or consequential damages or exclusions or limitations on the duration of implied warranties or conditions, so the above limitations or exclusions may not apply to Customer. In jurisdictions that limit the scope of or preclude limitations or exclusion of remedies or damages, or of liability, such as liability for gross negligence or willful misconduct or do not allow implied warranties to be excluded, the limitation or exclusion of warranties, remedies, damages or liability set forth above are intended to apply to the maximum extent permitted by applicable law. This limited warranty gives the Customer specific legal rights, and the Customer may also have other rights that vary by state, country or other jurisdiction.

3. SEVERABILITY:

If any provision of this limited warranty is held to be illegal, invalid or otherwise unenforceable, such provision will be enforced to the extent possible consistent with its stated intention, or, if incapable of such enforcement, will be deemed to be severed and deleted from this limited warranty, while the remainder of the terms of this limited warranty will continue in full force and effect.

4. DISPUTE RESOLUTION:

This Liberty Garden Products, Inc. Limited Warranty shall be governed by and construed in accordance with the laws of the State of North Carolina, without regard to its principles of conflicts of law. The parties acknowledge the exclusive jurisdiction of the federal and state courts of the State of North Carolina. Any claims or disputes under this Liberty Garden Products, Inc. Limited Warranty shall be heard exclusively in any state or federal courts sitting in Guilford County, North Carolina, and both parties expressly consent to the personal jurisdiction and venue of the North Carolina state and federal courts for such actions.



"Liberty" is a registered trademark of Liberty Garden Products, Inc. Kernersville, NC. All Rights Reserved 2021

Updated 11/29/2021