

Owner's Manual



WHEELED WEEDTRIMMER

6.0 Horsepower
22 Inch Cut

Model No.
917.773705



• Español, p. 18

 **CAUTION:**

Read and follow all
Safety Rules and Instructions
before operating this equipment.

Sears, Roebuck and Co., Hoffman Estates, IL 60179 U.S.A.
Visit our Craftsman website: www.sears.com/craftsman

TABLE OF CONTENTS

Warranty	2	Maintenance	9-12
Safety Rules	2-4	Service and Adjustments.....	13-14
Product Specifications	5	Storage	15
Assembly / Pre-Operation	5	Troubleshooting	16
Operation.....	6-8	Repair Parts.....	32-38
Maintenance Schedule	9	Sears Service	Back Cover

WARRANTY

LIMITED TWO YEAR WARRANTY ON CRAFTSMAN WEEDTRIMMER

For two (2) years from date of purchase, when this Craftsman Weedtrimmer is maintained, lubricated, and tuned up according to the operating and maintenance instructions in the owner's manual, Sears will repair free of charge any defect in material or workmanship.

If this Craftsman Weedtrimmer is used for commercial or rental purposes, this warranty applies for only 90 days from the date of purchase.

This Warranty does not cover:

- Expendable items which become worn during normal use, such as rotating lines, belts, air cleaners and spark plug.
- Repairs necessary because of operator abuse or negligence, including bent crankshafts and the failure to maintain the equipment according to the instructions contained in the owner's manual.

Warranty service is available by returning the Craftsman Weedtrimmer to the nearest Sears Parts & Repair Center in the United States. This warranty applies only while this product is used in the United States.

This Warranty gives you specific legal rights, and you may also have other rights which vary from state to state.

Sears, Roebuck and Co., Dept. 817 WA, Hoffman Estates, IL 60179

⚠ WARNING: This trimmer is equipped with an internal combustion engine and should not be used on or near any unimproved forest-covered, brush-covered or grass-covered land unless the engine's exhaust system is equipped with a spark arrester meeting applicable local or state laws (if any). If a spark arrester is used, it should be maintained in effective working order by the operator.

In the state of California the above is required by law (Section 4442 of the California Public Resources Code). Other states may have similar laws. Federal laws apply on federal lands. A spark arrester for the muffler is available through your nearest Sears service center (see the REPAIR PARTS section of this manual).



SAFETY RULES



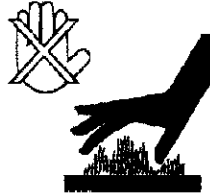
The operation of any trimmer can result in foreign objects thrown into the eyes, which can result in severe eye damage. Always wear safety glasses or eye shields while operating your trimmer or performing any adjustments or repairs. We recommend standard safety glasses or a wide vision safety mask worn over spectacles.

⚠ Look for this symbol to point out important safety precautions. It means **CAUTION!!! BECOME ALERT!!! YOUR SAFETY IS INVOLVED.**

⚠ WARNING: In order to prevent accidental starting when setting up, transporting, adjusting or making repairs, always disconnect spark plug wire and place wire where it cannot contact plug.

⚠ WARNING: Engine exhaust, some of its constituents, and certain vehicle components contain or emit chemicals known to the State of California to cause cancer and birth defects or other reproductive harm.

⚠ CAUTION: Muffler and other engine parts become extremely hot during operation and remain hot after engine has stopped. To avoid severe burns on contact, stay away from these areas.



I. GENERAL OPERATION

- Read, understand, and follow all instructions on the machine and in the manual before starting. Be thoroughly familiar with the controls and the proper use of the machine before starting.
- Do not put hands or feet near or under rotating parts.
- Keep all parts of your body away from muffler and spinning line. A hot muffler can cause serious burns.
- Only allow responsible individuals, who are familiar with the instructions, to operate the machine.
- Stay away from breakable objects, such as house windows, auto glass, greenhouses, etc.
- Clear the area of objects such as rocks, toys, wire, bones, sticks, etc., which could be picked up and thrown by the spinning lines.
- Be sure the area is clear of other people before trimming, particularly small children and pets. Stop machine if anyone enters the area.
- Wear appropriate clothing such as a long-sleeved shirt or jacket. Also wear long trousers or slacks. Do not wear shorts.
- Do not wear loose clothing which could get caught in this equipment.
- Do not operate the machine when barefoot or wearing open sandals. Always wear work gloves and sturdy footwear. Leather work shoes or short boots work well for most people. These will protect the operator's ankles and shins from small sticks, splinters, and other debris, and improve traction.

- Do not pull machine backwards unless absolutely necessary. Always look down and behind before and while moving backwards.
- Do not operate the machine without proper guards, plates or other safety protective devices in place.
- See manufacturer's instructions for proper operation and installation of accessories. Only use accessories approved by the manufacturer.
- Never use blades, wire, or flailing devices. This unit is designed for line trimmer use only. Use of other accessories or attachments will increase the risk of injury.
- Stop the rotating trimmer head when crossing gravel drives, walks, or roads. Wait for the cutting lines to stop rotating.
- Stop the engine (motor) whenever you leave the equipment and allow it to cool, before cleaning, repairing or inspecting the unit. Be sure the trimmer head and all moving parts have stopped.
- Operate only in daylight or good artificial light.
- Do not operate the machine while under the influence of alcohol or drugs.
- Never operate machine in wet grass. Always be sure of your footing: keep a firm hold on the handle and walk; never run.
- If the equipment should start to vibrate abnormally, stop the engine (motor) and check immediately for the cause. Vibration is generally a warning of trouble.
- Always wear safety goggles or safety glasses with side shields when operating machine.

II. SLOPE OPERATION

Slopes are a major factor related to slip and fall accidents which can result in severe injury. All slopes require extra caution. If you feel uneasy on a slope, do not trim it.

DO:

- Trim across the face of slopes: never up and down. Exercise extreme caution when changing direction on slopes.
- Remove obstacles such as rocks, tree limbs, etc.
- Watch for holes, ruts, or bumps. Tall grass can hide obstacles.

DO NOT:

- Do not trim near drop-offs, ditches or embankments. The operator could lose footing or balance.
- Do not trim excessively steep slopes.
- Do not trim on wet grass. Reduced footing could cause slipping.

III. CHILDREN

Tragic accidents can occur if the operator is not alert to the presence of children. Children are often attracted to the machine and the trimming activity. *Never* assume that children will remain where you last saw them.

- Keep children out of the trimming area and under the watchful care of another responsible adult.
- Be alert and turn machine off if children enter the area.
- Before and while moving backwards, look behind & down for small children.
- Never allow children to operate the machine.
- Use extra care when approaching blind corners, shrubs, trees, or other objects that may obscure vision.

IV. SERVICE

- Use extra care in handling gasoline and other fuels. They are flammable and vapors are explosive.
 - Use only an approved container.
 - Never remove gas cap or add fuel with the engine running. Allow engine to cool before refueling. Don't smoke.

- Never refuel the machine indoors.
- Never store the machine or fuel container inside where there is an open flame, such as a water heater.
- Move away from fueling site before starting engine.
- Never run trimmer inside a closed area.
- Never make adjustments or repairs with the engine (motor) running. Disconnect the spark plug wire, and keep the wire away from the spark plug to prevent accidental starting.
- Keep nuts and bolts, especially trimmer head and engine bolts, tight and keep equipment in good condition.
- Never tamper with safety devices. Check their proper operation regularly.
- Keep machine free of grass, leaves, or other debris buildup. Clean oil or fuel spillage. Allow machine to cool before cleaning or storing.
- Stop and inspect the equipment if you strike an object. Repair, if necessary, before restarting.
- Do not change the engine governor setting or overspeed the engine.
- Clean and replace safety and instruction decals as necessary.

Repair Protection Agreements

Congratulations on making a smart purchase. Your new Craftsman® product is designed and manufactured for years of dependable operation. But like all products, it may require repair from time to time. That's when having a Repair Protection Agreement can save you money and aggravation.

Purchase a Repair Protection Agreement now and protect yourself from unexpected hassle and expense.

Here's what's included in the Agreement:

- **Expert service** by our 12,000 professional repair specialists.
- **Unlimited service and no charge** for parts and labor on all covered repairs.
- **Product replacement** if your covered product can't be fixed.
- **Discount of 10%** from regular price of service and service-related parts not covered by the agreement; also, 10% off regular price of preventive maintenance check.

- **Fast help by phone** – phone support from a Sears technician on products requiring in-home repair, plus convenient repair scheduling.

Once you purchase the Agreement, a simple phone call is all that it takes for you to schedule service. You can call anytime day or night, or schedule a service appointment online.

Sears has over 12,000 professional repair specialists, who have access to over 4.5 million quality parts and accessories. That's the kind of professionalism you can count on to help prolong the life of your new purchase for years to come. Purchase your Repair Protection Agreement today! **Some limitations and exclusions apply. For prices and additional information call 1-800-827-6655.**

Sears Installation Service

For Sears professional installation of home appliances, garage door openers, water heaters, and other major home items, in the U.S.A. call **1-800-4-MY-HOME®**.

PRODUCT SPECIFICATIONS

Serial Number:	
Date of Purchase:	
Gasoline Capacity / Type:	1.6 Quarts (Unleaded Regular)
Oil Type (API-SF-SJ):	SAE 30 (above 32°F); SAE 5W-30 (below 32°F)
Oil Capacity:	20 Ounces
Spark Plug (Gap: .030")	Champion RJ19LM or J19LM
Trimmer Line Length:	18.75 Inches (0.155 Inch Diameter)
<ul style="list-style-type: none"> The model and serial numbers will be found on a decal on the rear of the trimmer. Record both serial number and date of purchase in the space provided above. 	

ASSEMBLY / PRE-OPERATION

Read these instructions and this manual in its entirety before you attempt to assemble or operate your new trimmer.

IMPORTANT: This trimmer is shipped WITHOUT OIL OR GASOLINE in the engine. Your new trimmer has been assembled at the factory with the exception of those parts left unassembled for shipping purposes. All parts such as nuts, washers, bolts, etc., necessary to complete the assembly have been placed in the parts bag. To ensure safe and proper operation of your trimmer, all parts and hardware you assemble must be tightened securely. Use the correct tools as necessary to ensure proper tightness.

When right hand (RH) or left hand (LH) is mentioned in this manual, it means when you are in the operating position (standing behind the handle).

Loose Parts Packed Separately



Bottle of oil



Trimmer Lines (2) Sets
(0.155 diameter
x 18.75 inches long)

REMOVE TRIMMER FROM CARTON

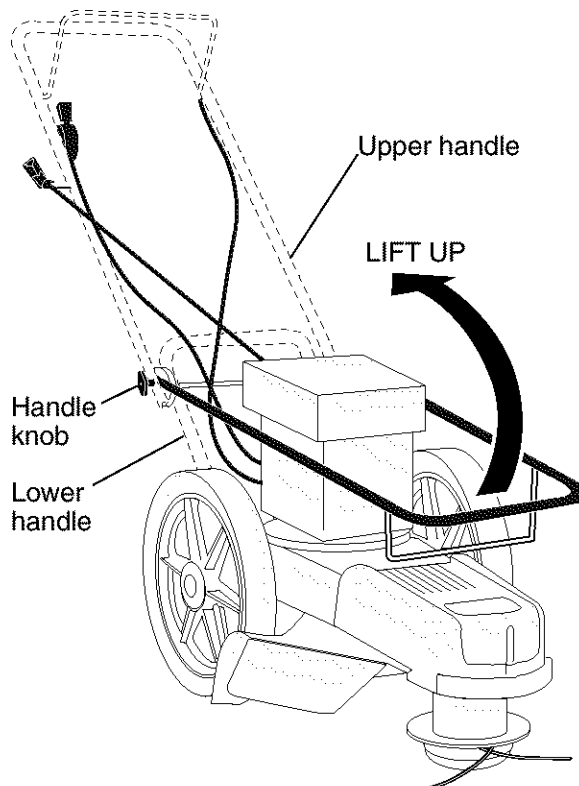
1. Remove loose parts included with trimmer.
2. Cut down two end corners of carton and lay end panel down flat.
3. Remove all packing materials.
4. Roll trimmer out of carton and check carton thoroughly for additional loose parts.

HOW TO SET UP YOUR TRIMMER TO UNFOLD HANDLE

IMPORTANT: Unfold handle carefully so as not to pinch or damage control cables.

1. Loosen handle knob enough to allow upper handle to be unfolded from the shipping position.
2. Raise upper handle section into place on lower handle and tighten handle knob.
3. Remove handle padding holding trimmer head control bar to upper handle.

Your trimmer handle can be adjusted for your trimming comfort. Refer to "ADJUST HANDLE" in the Service and Adjustments section of this manual.



OPERATION

KNOW YOUR TRIMMER

READ THIS OWNER'S MANUAL AND ALL SAFETY RULES BEFORE OPERATING YOUR TRIMMER. Compare the illustrations with your trimmer to familiarize yourself with the location of various controls and adjustments. Save this manual for future reference.

These symbols may appear on your trimmer or in literature supplied with the product. Learn and understand their meaning.



FAST



SLOW



CAUTION



ENGINE OFF



FUEL



OIL

WARNING

AVOID SERIOUS INJURY OR DEATH



READ AND FOLLOW OWNER'S MANUAL. LEA Y SIGA EL MANUAL DEL PROPIETARIO.



DO NOT OPERATE WHEN CHILDREN OR OTHERS ARE AROUND. REMOVE OBJECTS THAT COULD BE THROWN BY THE CUTTING LINES.



GO ACROSS SLOPES NOT UP AND DOWN.



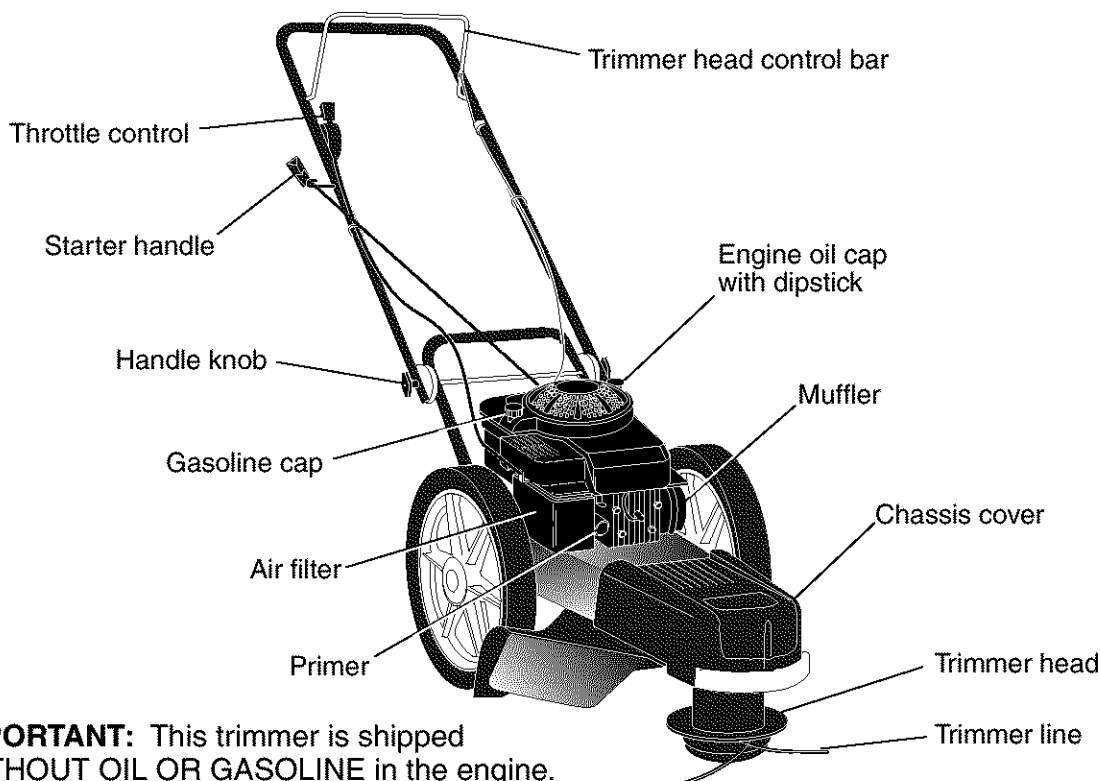
DO NOT SERVICE OR ADJUST CUTTING HEAD OR OTHER MOVING PARTS UNLESS ENGINE IS STOPPED AND SPARK PLUG WIRE IS DISCONNECTED.



WEAR SAFETY APPROVED EYE PROTECTION WHEN OPERATING.

- LOOK DOWN AND BEHIND BEFORE AND WHILE MOVING BACKWARDS.

- KEEP SAFETY DEVICES, SUCH AS GUARDS AND DEFLECTORS, IN PLACE AND OPERATING.



IMPORTANT: This trimmer is shipped WITHOUT OIL OR GASOLINE in the engine.

Trimmer head control bar - must be held down to the handle to engage trimmer head. Release to stop the trimmer head.

Primer - pumps additional fuel from the carburetor to the cylinder for use when starting a cold engine.

Throttle control - used for starting and stopping the engine and allows you to select either FAST or SLOW engine speed.

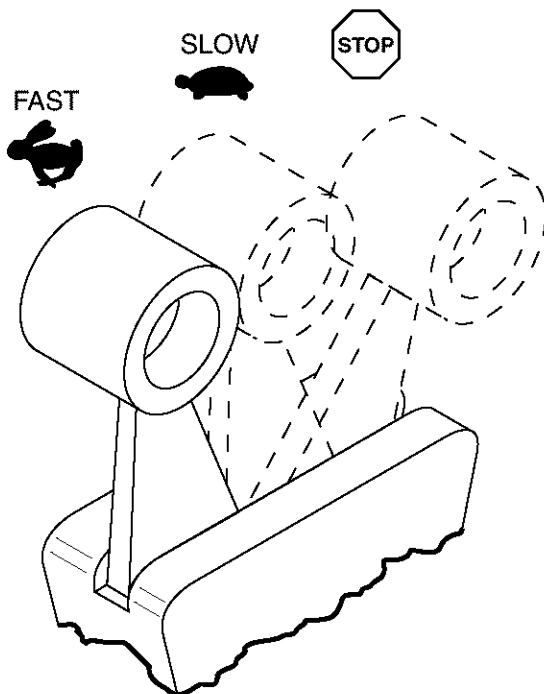
Starter handle - used for starting the engine.



The operation of any trimmer can result in foreign objects being thrown into the eyes, which can result in severe eye damage. Always wear safety glasses or eye shields while operating your trimmer or performing any adjustments or repairs. We recommend standard safety glasses or a wide vision safety mask worn over spectacles.

HOW TO USE YOUR TRIMMER ENGINE SPEED

The engine speed is controlled by a throttle located on the side of the upper handle. FAST position is for starting and normal trimming. SLOW is for light trimming and fuel economy. STOP is for stopping the engine.



TRIMMER HEAD DRIVE CONTROL

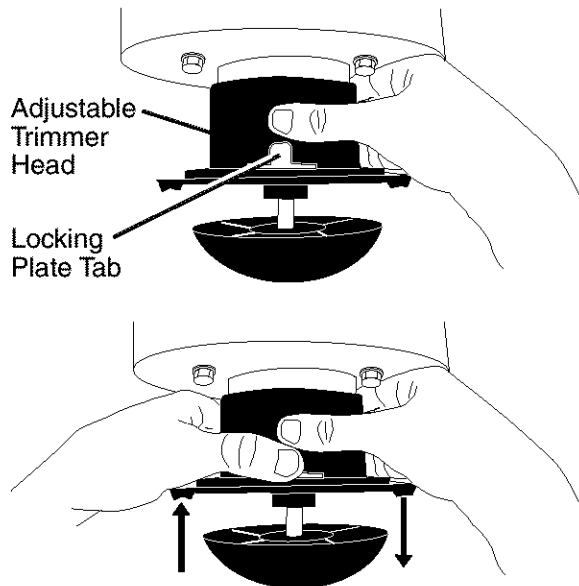
Your trimmer is equipped with a trimmer head drive control bar which will require the operator to be positioned behind the trimmer handle to operate the trimmer.

- Trimmer head rotation is controlled by holding the trimmer head control bar down to the handle.
- Trimmer head rotation will stop when the control bar is released.

TO ADJUST TRIMMING HEIGHT

CAUTION: Stop the engine and wait for all moving parts to stop. Disconnect spark plug wire from spark plug and place wire where it cannot come in contact with plug. The height of cut can be set to six (6) different positions ranging from 1-1/2 inches to 3 inches. Recommended cutting height for the average yard is 2 inches.

1. To adjust trimming height, push in the locking plate tab and move trimmer head up or down to desired position.
2. Release tab and be sure head is locked into one of the six (6) height positions.



BEFORE STARTING ENGINE

ADD OIL

Your trimmer is shipped without oil in the engine. For type and grade of oil to use, see "ENGINE" in the Maintenance section of this manual.

CAUTION: DO NOT overfill engine with oil, or it will smoke heavily from the muffler on startup.

1. Be sure trimmer is level.
2. Remove oil dipstick from oil fill spout.
3. You receive a container of oil with the unit. Slowly pour the entire container down the oil fill spout into the engine.
4. Insert and tighten dipstick.

IMPORTANT:

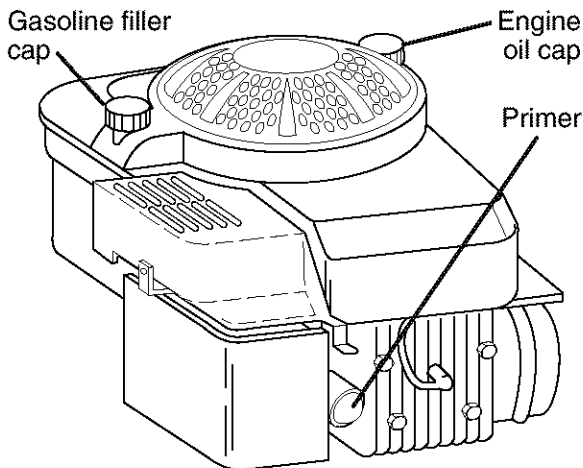
- Check oil level before each use. Add oil if needed. Fill to full line on dipstick.
- Change the oil after every 25 hours of operation or each season. You may need to change the oil more often under dusty, dirty conditions.

ADD GASOLINE

- Fill fuel tank to bottom of gas tank filler neck. Do not overfill. Use fresh, clean, regular unleaded gasoline with a minimum of 87 octane. Do not mix oil with gasoline. Purchase fuel in quantities that can be used within 30 days to assure fuel freshness.

⚠ CAUTION: Wipe off any spilled oil or fuel. Do not store, spill or use gasoline near an open flame.

⚠ CAUTION: Alcohol blended fuels (called gasohol or using ethanol or methanol) can attract moisture which leads to separation and formation of acids during storage. Acidic gas can damage the fuel system of an engine while in storage. To avoid engine problems, the fuel system should be emptied before storage of 30 days or longer. Empty the gas tank, start the engine and let it run until the fuel lines and carburetor are empty. Use fresh fuel next season. See Storage Instructions for additional information. Never use engine or carburetor cleaner products in the fuel tank or permanent damage may occur.



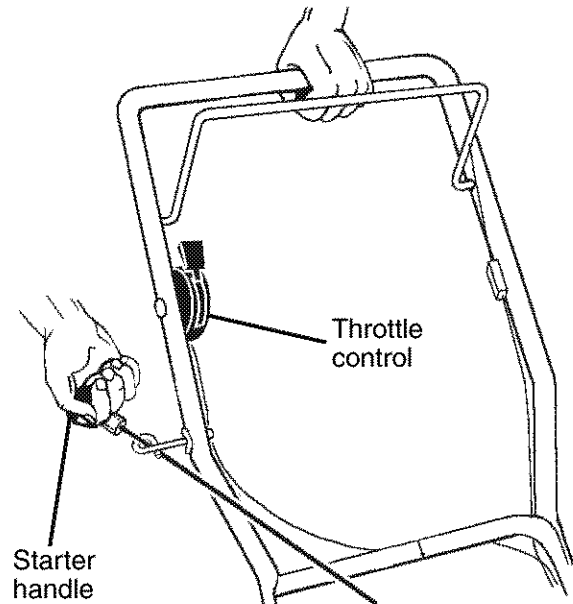
TO STOP ENGINE

- To stop engine, move throttle control lever to STOP position.

TO START ENGINE

1. To start a cold engine, push primer three (3) times before trying to start. Use a firm push. This step is not usually necessary when starting an engine which has already run for a few minutes.
2. Move throttle control lever to FAST position.
3. Hold upper handle firmly and pull starter handle quickly. Do not allow starter rope to snap back.

NOTE: In cooler weather it may be necessary to repeat priming steps. In warmer weather overpriming may cause flooding and engine will not start. If you do flood engine, wait a few minutes before attempting to start and do not repeat priming steps.



TRIMMING TIPS

- Set the throttle control in the FAST position. If the weeds or grass are tall and thick, operate the trimmer at a slower walking speed.
- Frequently clean the underside of the trimmer to remove any grass build up. Keep top of engine around starter clear and clean of grass clippings and chaff. This will help engine air flow and extend engine life.
- For best results and longer lasting line, use the ends of the line to do the cutting. This is easily done by moving slowly through very thick and heavy weeds.
- Use the left side of trimmer when trimming along fences, walls, flowerbeds and other such objects.
- If trimmer lines become too short, it will take longer to complete the job. If trimmer lines are worn to less than half their original length, they should be replaced. See "TO REPLACE TRIMMER LINE" in the Maintenance section of this manual.
- Trimmer head contact with concrete, asphalt or other hard surfaces may cause premature wear of the ball on bottom of trimmer head.

TRIMMER

Always observe safety rules when performing any maintenance.

TIRES

- Keep tires free of gasoline, oil, or insect control chemicals which can harm rubber.
- Avoid stumps, stones, deep ruts, sharp objects and other hazards that may cause tire damage.

TRIMMER LINE

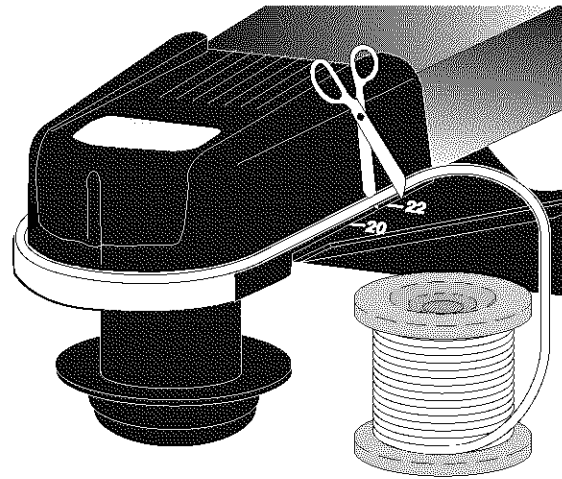
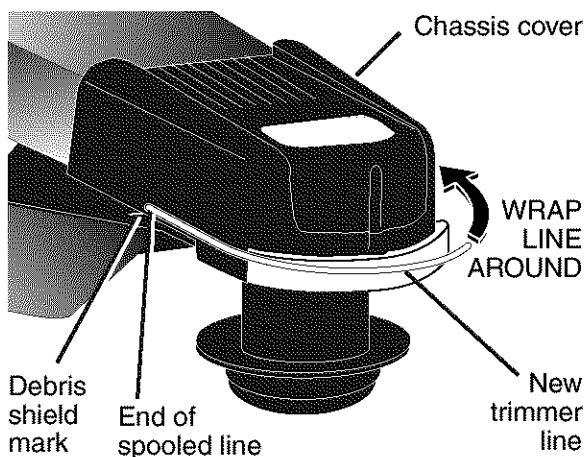
For best results, replace trimmer lines when they have worn to half their original length. Use **.155 inch diameter** trimmer line. Cut new trimmer line length to **18-3/4 inches**. After new line is installed on trimmer head, check all lines so they do not vary more than one (1) inch in length. This is important to make sure the trimmer head is balanced and will not vibrate abnormally.

⚠WARNING: Use only the specified trimmer line. Do not use other materials such as wire, string, rope, etc. Wire can break off during trimming and become a dangerous missile that can cause serious injury.

TO CUT LINE TO PROPER LENGTH

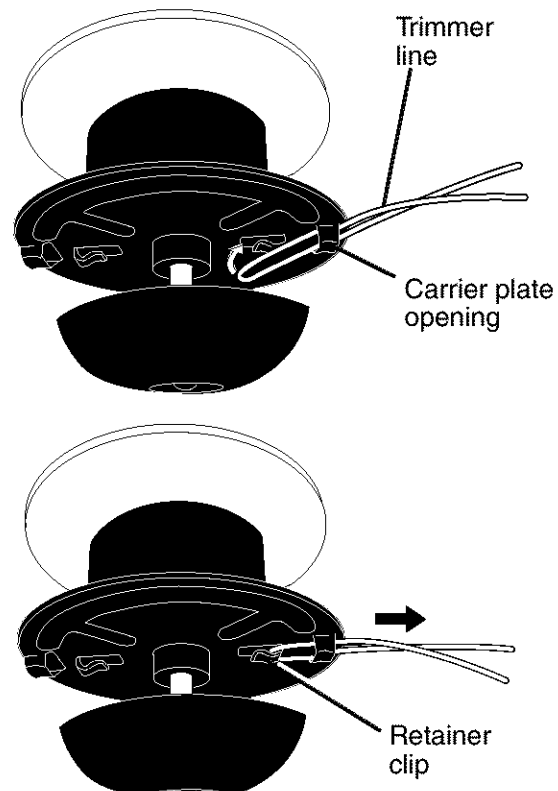
NOTE: Trimmer line pre-cut to proper length is available for this unit; see the Repair Parts section of this manual. If trimmer line is purchased in bulk, it must be cut to **18-3/4 inches** before using. Use the built-in length gauge as follows:

1. From front of trimmer, place the end of spooled trimmer line at the mark on the side of the debris shield as shown.
2. Wrap trimmer line around front of chassis cover to other side and cut at the "22" mark (your unit's width of cut).



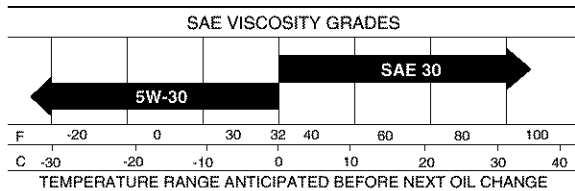
TO REPLACE TRIMMER LINE

1. Disconnect spark plug wire from spark plug and place wire where it cannot come in contact with spark plug.
2. Remove worn trimmer line from line carrier plate.
3. Fold new, cut to length, trimmer line in half and insert folded end through carrier plate opening to back side of retainer clip.
4. With folded end of line at back side of retainer clip, pull line outward until line is fully seated under the retainer clip.
5. Repeat on other side of carrier plate.
6. Check all lines to be sure they are the same length.
7. Reconnect spark plug wire to spark plug.



ENGINE LUBRICATION

Use only high quality detergent oil rated with API service classification SF-SJ. Select the oil's SAE viscosity grade according to your expected operating temperature.

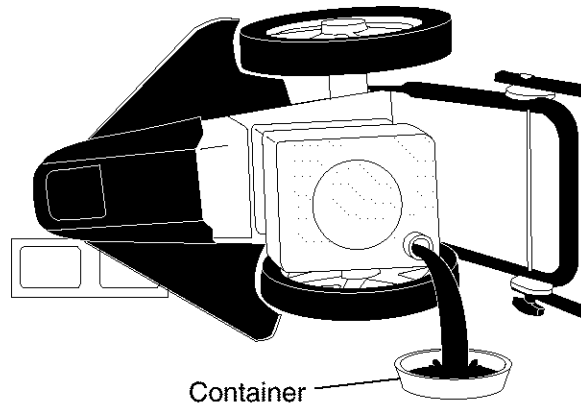


NOTE: Although multi-viscosity oils (5W30, 10W30 etc.) improve starting in cold weather, these multi-viscosity oils will result in increased oil consumption when used above 32°F. Check your engine oil level more frequently to avoid possible engine damage from running low on oil. Change the oil after every 25 hours of operation or at least once a year if the unit is not used for 25 hours in one year. Check the crankcase oil level before starting the engine and after each five (5) hours of continuous use. Tighten oil plug securely each time you check the oil level.

TO CHANGE ENGINE OIL

NOTE: Before tipping trimmer to drain oil, drain fuel tank by running engine until fuel tank is empty.

1. Disconnect spark plug wire from spark plug and place wire where it cannot come in contact with spark plug.
2. Remove engine oil cap; lay aside on a clean surface.
3. Tip trimmer on its side as shown and drain oil into a suitable container. Rock trimmer back and forth to remove any oil trapped inside of engine.



4. Wipe off any spilled oil from trimmer or side of engine.
5. Fill engine with oil (See "ADD OIL" in the Operation section of this manual).
6. Replace engine oil cap.
7. Reconnect spark plug wire to spark plug.

AIR FILTER

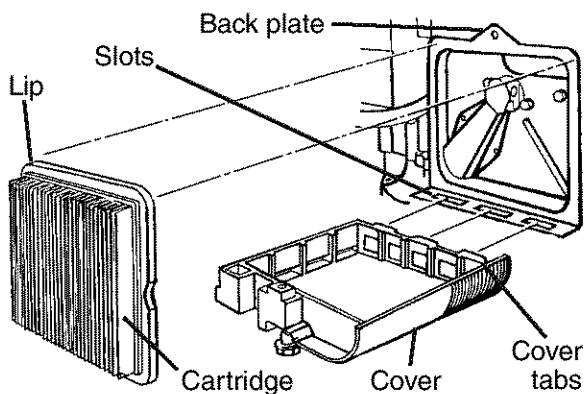
Your engine will not run properly and may be damaged by using a dirty air filter. Replace the air filter cartridge every 100 hours of operation or every season, whichever occurs first. Service air cleaner more often under dusty conditions.

TO CLEAN AIR FILTER

1. Loosen screw and tilt cover to remove.
2. Carefully remove cartridge.
3. Clean by gently tapping on a flat surface. If very dirty, replace cartridge.

CAUTION: Petroleum solvents, such as kerosene, are not to be used to clean cartridge. They may cause deterioration of the cartridge. Do not oil cartridge. Do not use pressurized air to clean or dry cartridge.

4. Install cartridge, then replace cover making sure the tabs are aligned with the slots in the back plate. Fasten screw securely.



MUFFLER

Inspect and replace corroded muffler as it could create a fire hazard and/or damage.

SPARK PLUG

Replace spark plug at the beginning of each mowing season or after every 100 hours of operation, whichever occurs first. Spark plug type and gap setting are shown in the "PRODUCT SPECIFICATIONS" section of this manual.

CLEANING

IMPORTANT: For best performance, keep trimmer free of built-up grass and trash. Clean the underside of your trimmer after each use.

CAUTION: Disconnect spark plug wire from spark plug and place wire where it cannot come in contact with spark plug.

- Turn trimmer on its side. Make sure air filter and carburetor are up. Clean the underside of your trimmer by scraping to remove build-up of grass and trash.
- Clean engine often to keep trash from accumulating. A clogged engine runs hotter and shortens engine life.
- Keep finished surfaces and wheels free of all gasoline, oil, etc.
- We do not recommend using a garden hose to clean trimmer unless the electrical system, muffler, air filter and carburetor are covered to keep water out. Water in engine can result in shortened engine life.

SERVICE AND ADJUSTMENTS

⚠ WARNING: To avoid serious injury, before performing any service and adjustments:

1. Stop engine.
2. Make sure the rotating lines and all moving parts have completely stopped.
3. Disconnect spark plug wire from spark plug and place where it cannot come in contact with plug.

TRIMMER

TO ADJUST TRIMMING HEIGHT

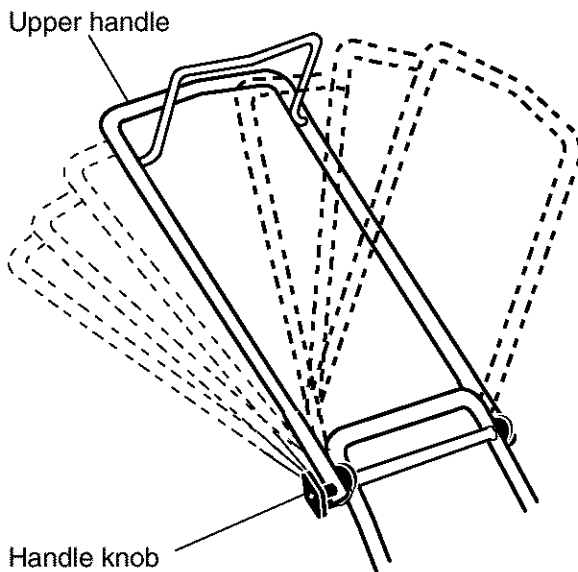
See "TO ADJUST TRIMMING HEIGHT" in the Operation section of this manual.

TO ADJUST HANDLE

The upper handle may be adjusted to different height positions.

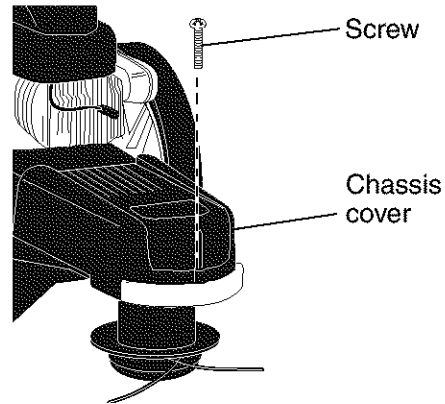
- Loosen handle knob only enough to allow the upper handle to pivot to the desired position.
- Tighten handle knob securely.

NOTE: The handle knob and bolt may be reversed for left handed operation.

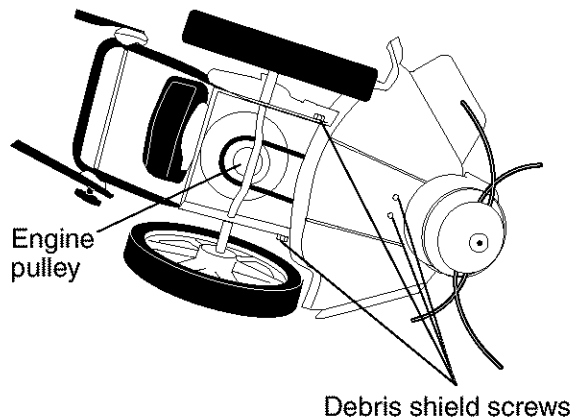


TO REMOVE/REPLACE TRIMMER HEAD DRIVE BELT

1. Remove screw at front of chassis cover.
2. Lift cover up and away from trimmer.
3. Remove the two (2) screws on sides of



4. Turn trimmer on its side with carburetor and fuel cap up.
5. Remove the two (2) screws on underside of trimmer securing the debris shield.
6. Slide the debris shield rearward and remove.
7. Remove belt from engine pulley on crankshaft.
8. Remove belt from trimmer head pulley.

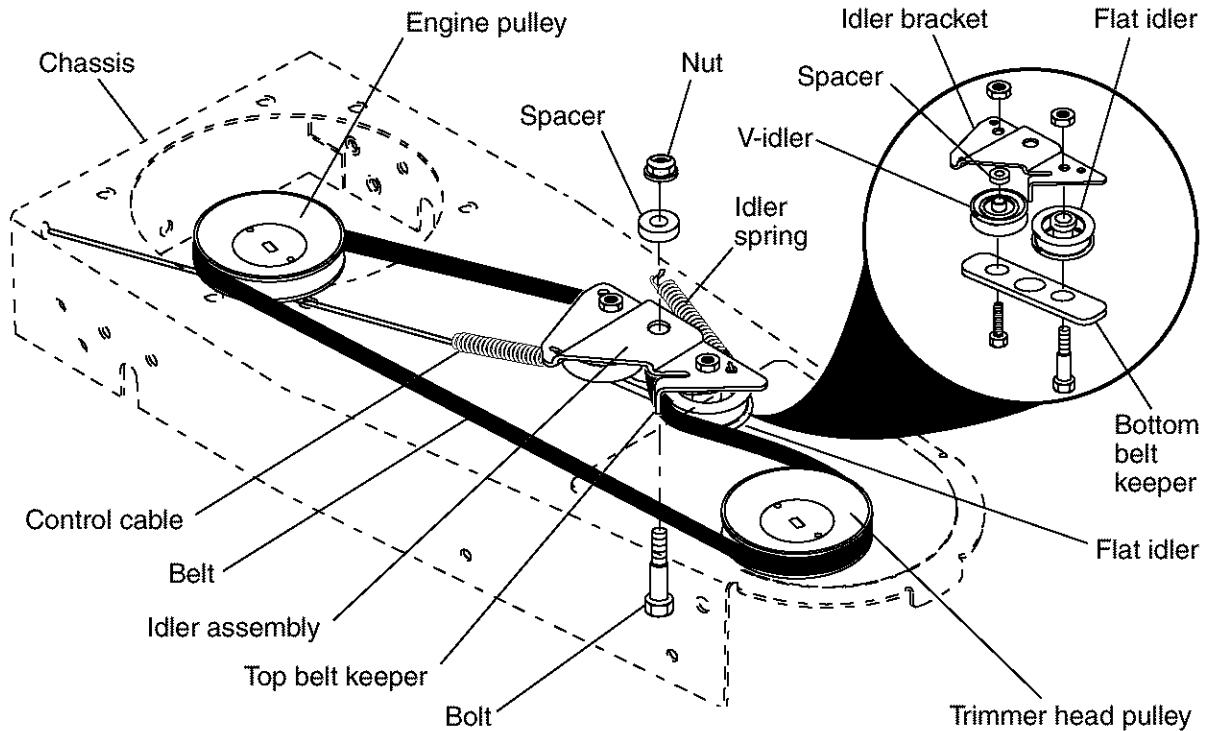


9. Note the position of the control cable and idler return spring, then remove idler assembly from chassis and remove belt and idler from trimmer.
10. Remove belt from idler assembly by removing bottom belt keeper and idler pulleys.
11. Assemble new belt, idler pulleys and bottom belt keeper to idler bracket. Tighten pulley bolts securely.

NOTE: Be sure belt is inside top belt

- keeper on idler assembly.
12. Position belt and idler assembly in trimmer, reconnect idler spring and assemble idler to chassis.
13. Install belt around trimmer head pulley and engine pulley.
14. Replace debris shield and tighten the four (4) screws securely.
15. Replace chassis cover and tighten screw securely.

Always use Craftsman replacement parts to assure proper fit and long life.



ENGINE

ENGINE SPEED

Your engine speed has been factory set. Do not attempt to increase engine speed or it may result in personal injury. If you believe that the engine is running too fast or too slow, take your unit to a Sears or other qualified service center for repair and/or adjustment.

CARBURETOR

Your carburetor has a nonadjustable fixed main jet for mixture control. If your engine does not operate properly due to suspected carburetor problems, take your unit to a Sears or other qualified service center for repair and/or adjustment.

IMPORTANT: Never tamper with the engine governor, which is factory set for proper engine speed. Overspeeding the engine above the factory high speed setting can be dangerous. If you think the engine-governed high speed needs adjusting, take your unit to a Sears or other qualified service center, which has proper equipment and experience to make any necessary adjustments.

STORAGE

Immediately prepare your trimmer for storage at the end of the season or if the unit will not be used for 30 days or more.

TRIMMER

When trimmer is to be stored for a period of time, clean it thoroughly, remove all dirt, grease, leaves, etc. Store in a clean, dry area.

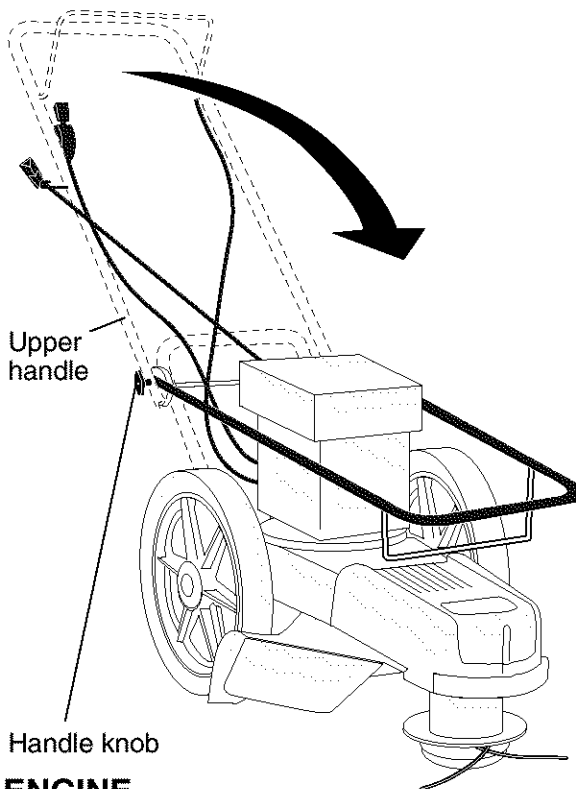
1. Clean entire trimmer (See "CLEANING" in the Maintenance section of this manual).
2. Lubricate as shown in the Maintenance section of this manual.
3. Be sure that all nuts, bolts, screws, and pins are securely fastened. Inspect moving parts for damage, breakage and wear. Replace if necessary.
4. Touch up all rusted or chipped paint surfaces; sand lightly before painting.

HANDLE

You can fold your trimmer handle for storage.

- Loosen handle knob enough to allow upper handle to be folded forward.

IMPORTANT: When folding the handle for storage or transportation, be sure to fold the handle as shown or you may damage the control cables.



ENGINE

FUEL SYSTEM

IMPORTANT: It is important to prevent gum deposits from forming in essential fuel system parts such as carburetor, fuel filter, fuel hose or tank during storage.

Also, alcohol blended fuels (called gasohol or using ethanol or methanol) can attract moisture which leads to separation and formation of acids during storage. Acidic gas can damage the fuel system of an engine while in storage.

- Empty the fuel tank by starting the engine and letting it run until the fuel lines and carburetor are empty.
- Never use engine or carburetor cleaner products in the fuel tank or permanent damage may occur.
- Use fresh fuel next season.

NOTE: Fuel stabilizer is an acceptable alternative in minimizing the formation of fuel gum deposits during storage. Add stabilizer to gasoline in fuel tank or storage container. Always follow the mix ratio found on stabilizer container. Run engine at least 10 minutes after adding stabilizer to allow the stabilizer to reach the carburetor. Do not drain the gas tank and carburetor if using fuel stabilizer.

ENGINE OIL

Drain oil (with engine warm) and replace with clean engine oil. (See "ENGINE" in the Maintenance section of this manual).

CYLINDER

1. Remove spark plug.
2. Pour one ounce (29 ml) of oil through spark plug hole into cylinder.
3. Pull starter handle slowly a few times to distribute oil.
4. Replace with new spark plug.

OTHER

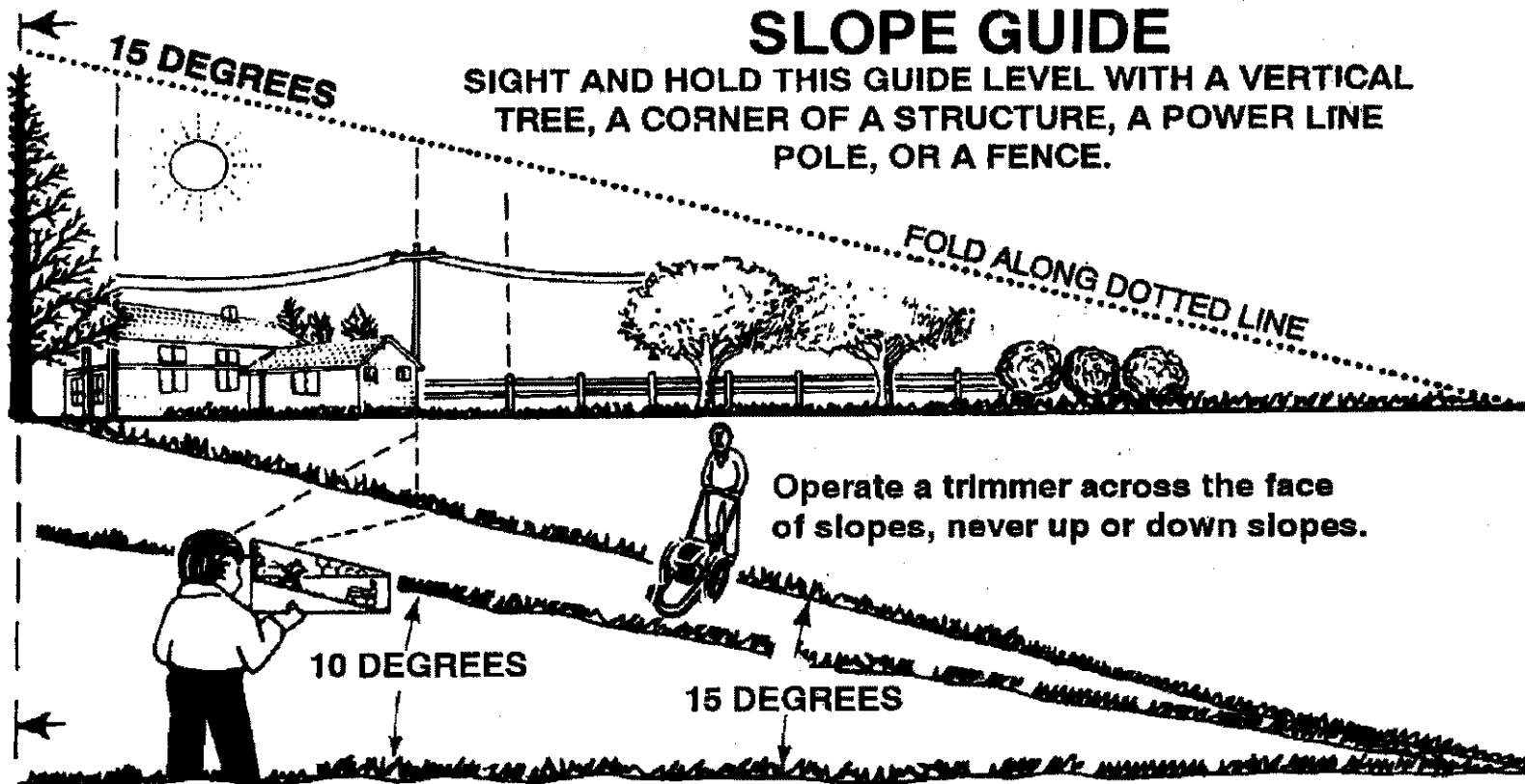
- Do not store gasoline from one season to another.
- Replace your gasoline can if your can starts to rust. Rust and/or dirt in your gasoline will cause problems.
- If possible, store your unit indoors and cover it to protect it from dust and dirt.
- Cover your unit with a suitable protective cover that does not retain moisture. Do not use plastic. Plastic cannot breathe, which allows condensation to form and will cause your unit to rust.

IMPORTANT: Never cover trimmer while engine and exhaust areas are still warm.

CAUTION: Never store the trimmer with gasoline in the tank inside a building where fumes may reach an open flame or spark. Allow the engine to cool before storing in any enclosure.

TROUBLESHOOTING - See appropriate section in manual unless directed to a Sears Parts & Repair Center.

PROBLEM	CAUSE	CORRECTION
Does not start	<ol style="list-style-type: none"> 1. Dirty air filter. 2. Out of fuel. 3. Stale fuel. 4. Water in fuel. 5. Spark plug wire is disconnected. 6. Bad spark plug. 7. Throttle control lever not in correct position (if equipped). 	<ol style="list-style-type: none"> 1. Clean/replace air filter. 2. Fill fuel tank. 3. Empty fuel tank and refill with fresh, clean gasoline. 4. Empty fuel tank and refill with fresh, clean gasoline. 5. Connect wire to spark plug. 6. Replace spark plug. 7. Move throttle lever to FAST position.
Loss of power	<ol style="list-style-type: none"> 1. Dirty air filter. 2. Buildup of grass, leaves, and trash under trimmer. 3. Too much oil in engine. 4. Walking speed too fast. 	<ol style="list-style-type: none"> 1. Clean/replace air filter. 2. Clean underside of trimmer and trimmer head. 3. Check oil level. 4. Trim at slower walking speed.
Excessive Vibration	<ol style="list-style-type: none"> 1. Lines uneven or broken. 2. Loose nuts or bolts. 3. Damaged trimmer head. 	<ol style="list-style-type: none"> 1. Check trimmer lines. 2. Check all hardware, including engine bolts. 3. Check/repair trimmer head.
Starter rope hard to pull	<ol style="list-style-type: none"> 1. Bent engine crankshaft. 	<ol style="list-style-type: none"> 1. Contact a Sears or other qualified service center.
Loss of head drive	<ol style="list-style-type: none"> 1. Belt not driving. 	<ol style="list-style-type: none"> 1. Put belt on pulleys or replace belt if broken.
Hard to push	<ol style="list-style-type: none"> 1. Handle height position not right for you. 	<ol style="list-style-type: none"> 1. Adjust handle height to suit.
Poor trimming performance	<ol style="list-style-type: none"> 1. Trimmer line length is too short. 2. Throttle control lever not in correct position (if equipped). 	<ol style="list-style-type: none"> 1. If line is worn or broken to half of original length, replace line. 2. Move throttle lever to FAST position.
Trimmer head does not retain line	<ol style="list-style-type: none"> 1. Trimmer line not properly installed. 2. Broken line retainer clip. 3. Incorrect size of trimmer line. 	<ol style="list-style-type: none"> 1. Follow instructions in Maintenance section. 2. Replace string carrier plate assembly. 3. Use .155 diameter trimmer line.



Use this guide and do not trim on a slope greater than 15 degrees.

A 10 degree slope is a hill that increases in height at approximately 1.7 feet in 10 feet.

A 15 degree slope is a hill that increases in height at approximately 2.5 feet in 10 feet.



Use extreme care at all times and avoid sudden turns or maneuvers. Follow other instructions in this manual for safety in trimming on slopes. Operate a trimmer across the face of slopes, never up or down slopes. Use extra care when operating on or near slopes and obstructions.

TABLA DE MATERIAS

Garantía.....	18	Programa de Mantenimiento	25
Reglas de Seguridad.....	18-20	Servicio y Ajustes	28-29
Especificaciones del Producto.....	21	Almacenamiento.....	30
Montaje / Pre-Operación	21	Identificación de problemas.....	31
Operación	22-24	Partes de repuesto	32-38
Mantenimiento.....	25-27	Servicio Sears	Contratapa

GARANTÍA

GARANTÍA LIMITADA DE DOS AÑOS PARA LA RECORTADORA PARA MALA HIERBA CRAFTSMAN
 Por dos (2) años, a partir de la fecha de compra, cuando esta recortadora para mala hierba Craftsman se mantenga, lubrique y afine según las instrucciones para la operación y el mantenimiento en el manual del dueño, Sears reparará gratis todo defecto en el material y la mano de obra.

Si la recortadora para mala hierba Craftsman se usa para fines comerciales o de arriendo, esta garantía sólo se aplica por noventa (90) días a partir de la fecha de compra.

Esta Garantía no cubre:

- Artículos que se desgastan durante el uso normal tales como las líneas rotatorias, las correas, los filtros de aire y las bujías.
- Reparaciones necesarias debido al abuso o a la negligencia del operador, incluyéndose a los cigüeñales doblados y a la falta de mantenimiento del equipo según las instrucciones que se incluyen en el manual del dueño.

El servicio de garantía esta disponible al devolver la recortadora para mala hierba Craftsman al Centro de Servicio Sears mas cercano en los Estados Unidos. Esta garantía se aplica solamente mientras el producto este en uso en los Estados Unidos.

Esta Garantía le otorga derechos legales específicos, y puede que también tenga otros derechos que varían de estado a estado.

Sears, Roebuck and Co., Dept. 817 WA, Hoffman Estates, Illinois 60179 U.S.A.

⚠ ADVERTENCIA: Este recortadora viene equipado con un motor de combustión interna y no se debe usar sobre, o cerca, de un terreno no desarrollado cubierto de bosques, de arbustos o de césped, o menos que el sistema de escape del motor venga equipado con un amortiguador de chispas que cumpla con las leyes locales o estatales (si existen). Si se usa un amortiguador de chispas, el operador debe mantenerlo en condiciones de trabajo eficientes.

En el estado de California, la ley exige lo anterior (Sección 4442 del "California Public Resources Code"). Otros estados pueden contar con otras leyes parecidas. Las leyes federales se aplican en la tierras federales. Su Centro/Departamento de Servicio Sears más cercano tiene disponible amortiguadores de chispas para el silenciador. (Vea la sección de Partes de Repuesto en el manual Inglés del dueño.)



REGLAS DE SEGURIDAD



La operación de cualquier recortadora puede hacer que salten objetos extraños dentro de sus ojos, lo que puede producir daños graves en éstos. Siempre use anteojos de seguridad o protección para los ojos mientras opere su recortadora o cuando haga ajustes o reparaciones. Recomendamos gafas de seguridad o una máscara de visión amplia, de seguridad usada sobre las gafas.

⚠ Busque este símbolo que señala las precauciones de seguridad de importancia. Quiere decir – ¡¡¡ATENCIÓN!!! ¡¡¡ESTE ALERTO!!! SU SEGURIDAD ESTA COMPROMETIDA.

⚠ ADVERTENCIA: Siempre desconecte el alambre de la bujía y póngalo donde no pueda entrar en contacto con la bujía, para evitar el arranque por accidente, durante la preparación, el transporte, el ajuste o cuando se hacen reparaciones.

⚠ PRECAUCIÓN: El tubo de escape del motor, algunos de sus constituyentes y algunos componentes del vehículo contienen o desprenden

productos químicos conocidos en el Estado de California como causa de cáncer y defectos al nacimiento u otros daños reproductivos.

⚠ PRECAUCIÓN: El silenciador y otras piezas del motor llegan a ser extremadamente calientes durante la operación y siguen siendo calientes después de que el motor haya parado. Para evitar quemaduras severas, permanezca lejos de estas áreas.



I. OPERACIÓN GENERAL

- Antes de empezar, debe familiarizarse completamente con los controles y el uso correcto de la máquina. Para esto, debe leer y comprender todas las instrucciones que aparecen en la máquina y en los manuales de operación.
- No ponga las manos o los pies cerca o debajo de las partes rotatorias.
- Mantener todas las partes del cuerpo lejos del silenciador del escape y la línea de rotación. El silenciador caliente puede causar serias quemaduras.
- Permita que solamente las personas responsables que estén familiarizadas con las instrucciones operen la máquina.
- Mantenerse lejos de objetos que pueden romperse, como cristales de casa, cristales del choche, invernaderos, etc.
- Despeje el área de objetos tales como piedras, juguetes, alambres, huesos, palos, etc. que pueden ser recogidos y lanzados por las líneas giratorias.
- Asegúrese que el área no se hallen personas, y particularmente niños pequeños y cachorros antes de recortar. Pare la máquina si alguien entra en el área.
- Use ropa apropiada, tal como camisa de manga larga o chaqueta y pantalones largos. No use pantalones cortos shorts.
- No use ropa suelta, ya que ésta podría atorarse en el equipo.
- No opere la máquina sin zapatos o con sandalias abiertas. Use siempre guantes de trabajo y calzado fuerte. Los zapatos de trabajo de piel o botas cortas son apropiados para la mayoría de las personas. Estos no sólo protegerían los tobillos y espinillas del operador de pequeñas ramas, astillas y otros desperdicios, sino que además mejorarán la tracción.
- No tire de la máquina hacia atrás a menos que sea absolutamente necesario. Mire siempre hacia abajo y hacia detrás antes y mientras que se mueve hacia atrás.
- No opere la máquina sin los respectivos resguardos, placas u otros aditamentos diseñados para su protección y seguridad.
- Refiérase a las instrucciones del fabricante para el funcionamiento e instalación de accesorios. Use únicamente accesorios aprobados por el fabricante.
- Nunca utilice cuchillas, cables o dispositivos tipo mayal. Esta unidad está proyectada para funcionar solamente con una línea de recortadora. La utilización de cualquier otro material, accesorio o dispositivo secundario aumenta el riesgo de lesiones y daños a la propiedad.
- Detenga la cabeza giratoria de la recortadora cuando cruce por calzadas, calles o caminos de grava. Espere que las cuerdas de corte paren de girar.
- Pare el motor siempre que tenga que dejar el equipo, antes de limpiar, reparar o inspeccionar la unidad. Asegúrese de que la cabeza de la recortadora y todas las partes en movimiento se hayan detenido.

- Opere solamente con luz del día o con una buena luz artificial.
- No opere la máquina bajo la influencia del alcohol o de las drogas.
- Nunca opere la máquina cuando la hierba esté mojada. Asegúrese siempre de tener buena tracción en sus pies; mantenga el mango firmemente y camine; nunca corra.
- Si el equipo empezara a vibrar de una manera anormal, pare el motor y revise de inmediato para averiguar la causa. Generalmente la vibración suele indicar que existe alguna avería.
- Siempre use gafas de seguridad o anteojos con protección lateral cuando opere la máquina.

II. OPERACIÓN EN PENDIENTE

Los accidentes ocurren con más frecuencia en las cuestas. Estos accidentes ocurren debido a resbaladas o caídas, las cuales pueden resultar en graves lesiones. Operar la recortadora en cuestas requiere mayor concentración. Si se siente inseguro en una cuesta, no la recorte.

SI:

- Puede recortar a través de la superficie de la cuesta, nunca hacia arriba y hacia abajo. Proceda con extrema precaución cuando cambie de dirección en las cuestas.
- Renueva todos los objetos extraños, tales como guijarros, ramas, etc.
- Debe prestar atención a hoyos, baches o protuberancias. Recuerde que la hierba alta puede esconder obstáculos.

NO:

- No recorte cerca de pendientes, zanjas o terraplenes. El operador puede perder la tracción en los pies o el equilibrio.
- No recorte cuestas demasiado inclinadas.
- No recorte en hierba mojada. La reducción en la tracción de la pisada puede causar resbalones.

III. NIÑOS

Se pueden producir accidentes trágicos si el operador no presta atención a la presencia de los niños. A menudo, los niños se sienten atraídos por la máquina y por la actividad de la siega. Nunca suponga que los niños van a permanecer en el mismo lugar donde los vio por última vez.

- Mantenga a los niños alejados del área de la siega y bajo el cuidado estricto de otra persona adulta responsable.
- Esté alerta y apague la máquina si hay niños que entran al área.
- Antes y durante el retroceso, mire hacia atrás y hacia abajo para verificar si hay niños pequeños.
- Nunca permita que los niños operen la máquina.
- Tenga un cuidado extra cuando se acerque a esquinas donde no hay visibilidad, a los arbustos, árboles u otros objetos que pueden interferir con su línea de visión.

IV. SERVICIO

- Tenga cuidado extra al manejar la gasolina y los demás combustibles. Son inflamables y los gases son explosivos.
 - Use solamente un envase aprobado.
 - Nunca remueva la tapa del depósito de gasolina o agregue combustible con el motor funcionando. Permita que el motor se enfríe antes de volver a poner combustible. No fume.
 - Nunca vuelva a poner combustible en la máquina en recintos cerrados.
 - Nunca almacene la máquina o el envase del combustible dentro de algún lugar en donde haya una llama expuesta, tal como la del calentador de agua.
- Alejarse de la zona de abastecimiento del carburante antes de poner en marcha.
- Nunca haga funcionar una máquina dentro de un área cerrada.
- Nunca haga ajustes o reparaciones mientras el motor esté en marcha. Desconecte el cable de la bujía, y manténgalo a cierta distancia de ésta para prevenir un arranque accidental.
- Mantenga las tuercas y los pernos, especialmente los pernos del motor y de la cabeza de recortes, apretados y mantenga el equipo en buenas condiciones.
- Nunca manipule de forma indebida los dispositivos de seguridad. Controle regularmente su funcionamiento correcto.
- Mantenga la máquina libre de hierba, hojas u otras acumulaciones de desperdicio. Limpie las derrames de aceite o combustible. Permita que la máquina se refresque antes de limpiarla o almacenarla.
- Pare e inspeccione el equipo si le pega a un objeto. Repárelo, si es necesario, antes de hacerlo arrancar.
- No cambie el ajuste del regulador del motor ni exceda su velocidad.
- Limpiar y sustituir las calcomanías relativas a instrucciones y seguridad cuando necesario.

Acuerdos de Protección para la Reparación

Congratulaciones por su buena compra. Su nuevo producto Craftsman® está diseñado y fabricado para funcionar de modo fiable por muchos años. Pero como todos los productos, puede necesitar alguna reparación de tanto en tanto. En este caso tener un Acuerdo de Protección para la Reparación puede hacerles ahorrar dinero y fastidios.

Compre ahora un Acuerdo de Protección para la Reparación y protéjese de molestias y gastos inesperados.

Un Acuerdo incluye los puntos siguientes:

- **Servicio experto** de nuestros 12.000 especialistas profesionales en la reparación.
- **Servicio ilimitado sin cargo alguno** para las partes y la mano de obra sobre todas las reparaciones garantizadas.
- **Sustitución del producto** si su producto garantizado no puede ser arreglado.
- **Descuento del 10%** sobre el precio corriente del servicio y de las partes relativas al servicio no cubiertas por el acuerdo; también el 10% menos sobre el precio corriente de un control de mantenimiento preventivo.

- **Ayuda rápida por teléfono** – soporte telefónico por parte de un técnico Sears sobre productos que requieren un arreglo en casa, y además una programación sobre los arreglos más convenientes.

Quando se ha comprado el Acuerdo, basta con una llamada telefónica para programar el servicio. Puede llamar cuando quiera, día y noche o fijar en línea una cita para obtener el servicio. Sears tiene más de 12.000 especialistas profesionales en la reparación, que tienen acceso a más de 4.5 millones de partes y accesorios de calidad. Este es el tipo de profesionalidad con que puede contar para ayudar a alargar la vida del producto que acaba de comprar, por muchos años. ¡Compre hoy su Acuerdo de Protección para la Reparación! **Se aplican algunas limitaciones y exclusiones. Para conocer los precios y tener más información, llame al 1-800-827-6655.**

Servicio de Instalación Sears

Para la instalación profesional Sears de aparatos de casa, puertas de garaje, calentadores de agua y otros importantes artículos para la casa, en U.S.A. llame a 1-800-4-MY-HOME®.

ESPECIFICACIONES DEL PRODUCTO

Número de Serie:	
Fecha de Compra:	
Capacidad y Tipo de Gasolina:	1.6 Cuartos (Regular sin Plomo)
Tipo de Aceite (API-SF-SJ):	SAE 30 (Sobre 32°F); SAE 5W-30 (Debajo 32°F)
Capacidad de Aceite:	20 Onzas
Bujía (Abertura: .030")	Champion RJ19LM o J19LM
Longitud de la línea de la recortadora:	18.75 Inches (0.155 Inches Diámetro)
<ul style="list-style-type: none"> El número del modelo y el de serie se encuentran en la calcomanía adjunta a la parte trasera de la caja de la recortadora. Debe registrar tanto el número de serie como la fecha de compra y manténgalos en un lugar seguro para referencia en el futuro. 	

MONTAJE / PRE-OPERACIÓN

Lea estas instrucciones y este manual completamente antes de tratar de montar u operar su nueva recortadora.

IMPORTANTE: Esta recortadora viene SIN ACEITE O GASOLINA en el motor.

Su nueva recortadora ha sido montada en la fábrica con la excepción de aquellas partes que se dejaron sin montar por razones de envío. Todas las partes como las tuercas, las arandelas, los pernos, etc., necesarias para completar el montaje han sido colocadas en la bolsa de partes. Para asegurarse que su recortadora funcione de forma segura y adecuada, todas las partes y los artículos de ferretería que se monten tienen que ser apretados firmemente. Use las herramientas correctas adecuadas para asegurar un apretado firme.

Cuando la mano derecha o la mano izquierda están mencionadas en este manual, significa que usted está situado en la posición de operador, detrás del mango.

Piezas sueltas empaquetadas por separado



Botella de aceite



2 Juegos de cuerda de recortadora (0.155 de diámetro x 18.75)

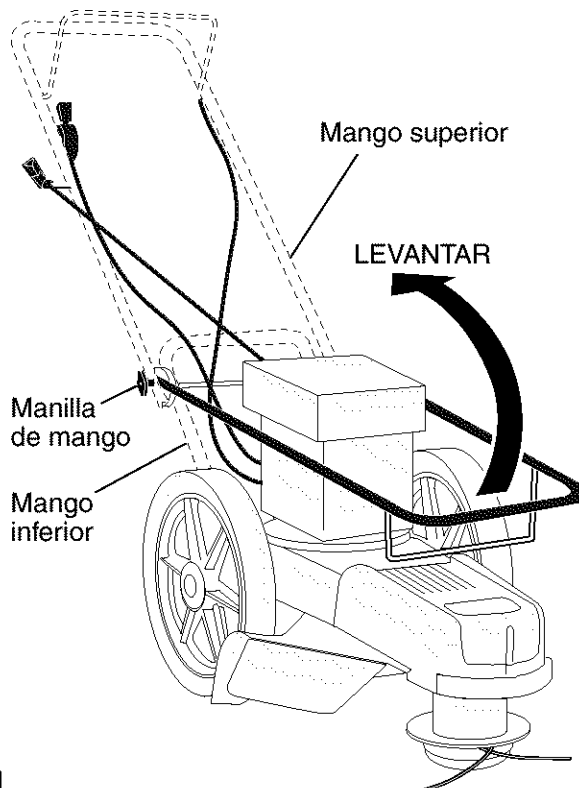
PARA REMOVER LA RECORTADORA DE LA CAJA DE CARTÓN

1. Remueva las partes sueltas que se incluyen con la recortadora.
2. Corte las dos esquinas de los extremos de la caja de cartón y tienda el panel del extremo plano.
3. Remueva todo el material de embalaje.
4. Haga rodar la recortadora hacia afuera de la caja de cartón y revísela cuidadosamente para verificar si todavía quedan partes sueltas adicionales.

IMPORTANTE: Despliegue el mango con mucho cuidado para no apretar o dañar los cables de control.

1. Aflojar la perilla del mango lo suficiente para permitir el mango superior ser desdoblado con respecto a la posición de envío.
2. Levante la sección del mango superior hasta su lugar en el mango inferior, y apriete la manilla del mango.
3. Remueva la cuña del mango que sujeta la barra del control del cabezal de la recortadora al mango superior.

El mango de su recortadora puede ajustarse según le acomode para recortar. Refiérase a "AJUSTE DEL MANGO" en la Sección de Servicio y Ajustes de este manual.



OPERACIÓN

FAMILIARÍCESE CON SU RECORTADORA

LEA ESTE MANUAL DE USUARIO Y LAS REGLAS DE SEGURIDAD ANTES DE OPERAR SU RECORTADORA. Compare las ilustraciones con su recortadora para familiarizarse con la ubicación de los diversos controles y ajustes. Guarde este manual para referencia en el futuro.

Estos símbolos pueden aparecer sobre su recortadora o en las páginas proporcionadas con el producto. Aprenda y comprenda sus significados.



RÁPIDO



LENTO



ATENCIÓN O
ADVERTENCIA



MOTOR
APAGADO



COMBUSTIBLE



ACEITE

⚠️ WARNING

AVOID SERIOUS INJURY OR DEATH



READ AND FOLLOW OWNER'S
MANUAL. LEA Y SIGA EL
MANUAL DEL PROPIETARIO.



DO NOT OPERATE WHEN CHILDREN
OR OTHERS ARE AROUND. REMOVE
OBJECTS THAT COULD BE THROWN
BY THE CUTTING LINES.



GO ACROSS
SLOPES NOT
UP AND DOWN.



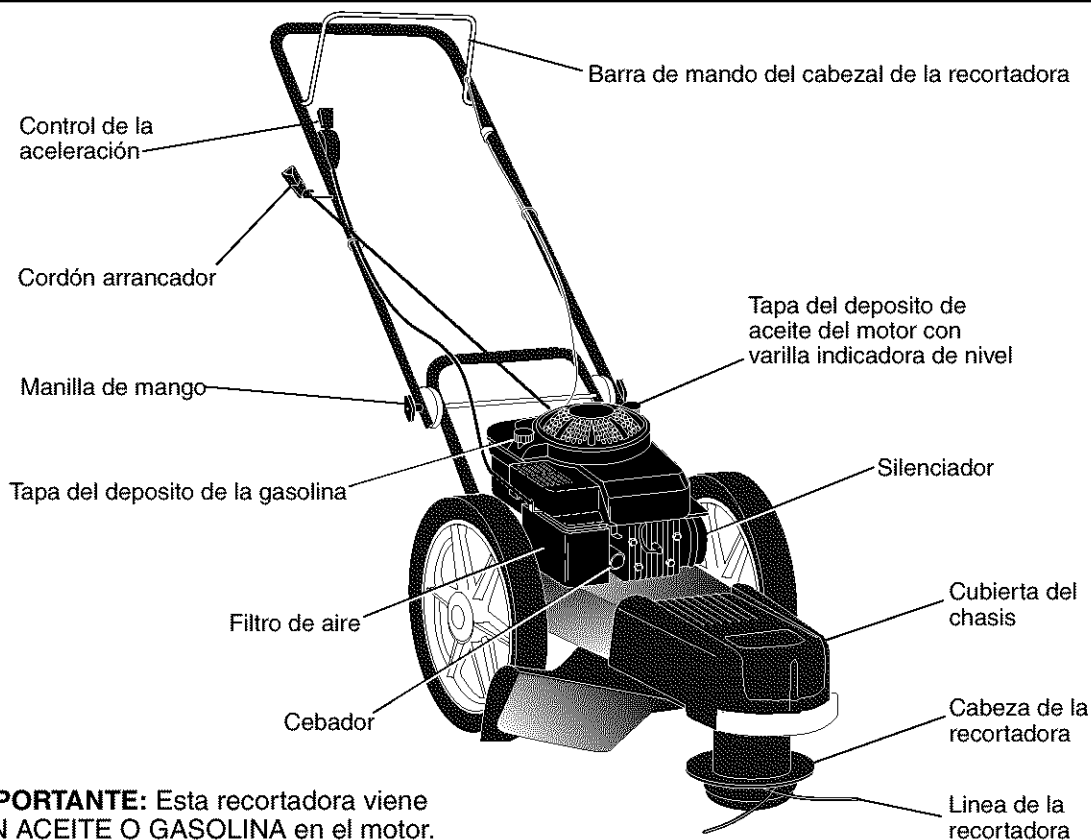
DO NOT SERVICE OR ADJUST CUTTING HEAD OR OTHER
MOVING PARTS UNLESS ENGINE IS STOPPED AND
SPARK PLUG WIRE IS DISCONNECTED.



WEAR SAFETY APPROVED EYE
PROTECTION WHEN OPERATING.

• LOOK DOWN AND BEHIND BEFORE AND WHILE
MOVING BACKWARDS.

• KEEP SAFETY DEVICES, SUCH AS GUARDS AND
DEFLECTORS, IN PLACE AND OPERATING.



IMPORTANTE: Esta recortadora viene SIN ACEITE O GASOLINA en el motor.

Barra de mando del cabezal de la recortadora - debe ser presionada hacia el mango para enganchar el cabezal de la recortadora.

Cebador - bombea combustible adicional desde el carburador al cilindro para uso cuando se necesita hacer arrancar un motor frío.

Control de la aceleración - se usa para hacer arrancar el motor y le permite seleccionar la velocidad del motor ya sea RÁPIDA o LENTA.

Cordón arrancador - se usa para hacer arrancar el motor.

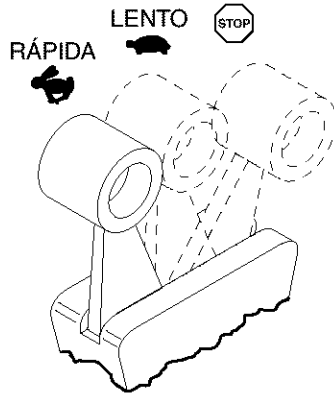


La operación de cualquier recortadora puede hacer que salten objetos extraños dentro de sus ojos, lo que puede producir daños graves en éstos. Siempre use anteojos de seguridad o protección para los ojos mientras opere su recortadora o cuando haga ajustes o reparaciones. Recomendamos gafas de seguridad o una máscara de visión amplia, de seguridad usada sobre las gafas.

CÓMO UTILIZAR SU RECORTADORA

CONTROL DE LA VELOCIDAD DEL MOTOR

La velocidad del motor es controlada por una válvula reguladora situada al lado del mango superior. La posición RÁPIDA es para comenzar y para el recorte normal. LENTO es para el recorte ligero y economizar combustible. PARADA es para parar el motor.



CONTROL DE LA IMPULSIÓN DEL CAPEZAL DE LA RECORTADORA

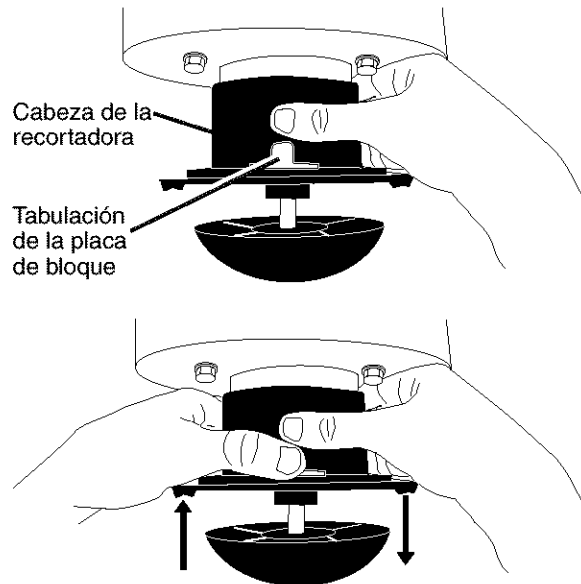
Su recortadora viene equipada con una barra de control de la impulsión del cabezal de la recortadora que requiere que el operador este colocado detrás de la palanca de la recortadora para operar la misma.

- La rotación del cabezal de la recortadora se controla manteniendo la barra de control del cabezal hacia abajo al mango.
- La rotación del cabezal de la recortadora se parará cuando la barra de control sea soltada.

PARA AJUSTAR ALTURA DEL RECORTE

PRECAUCIÓN: Pare el motor y espere hasta que todas la piezas móviles se hayan detenido completamente. Desconecte el alambre de la bujía de la bujía y póngalo en donde no pueda entrar en contacto con ésta. La altura del corte puede ser fijada en seis (6) diversas posiciones que se extienden a partir de 1-1/2 pulgadas a 3 pulgadas. La altura de corte recomendada para un cercado normal es 2 pulgadas.

1. Para ajustar la altura del recorte, empuje la aleta tabulación de la placa de bloque y mueva el cabezal de la recortadora hacia arriba o hacia abajo a la posición deseada.
2. Suelte la aleta y asegúrese que el cabezal este situado en una de las seis (6) posiciones de la altura.



ANTES DE HACER ARRANCAR EL MOTOR

AGREGUE ACEITE

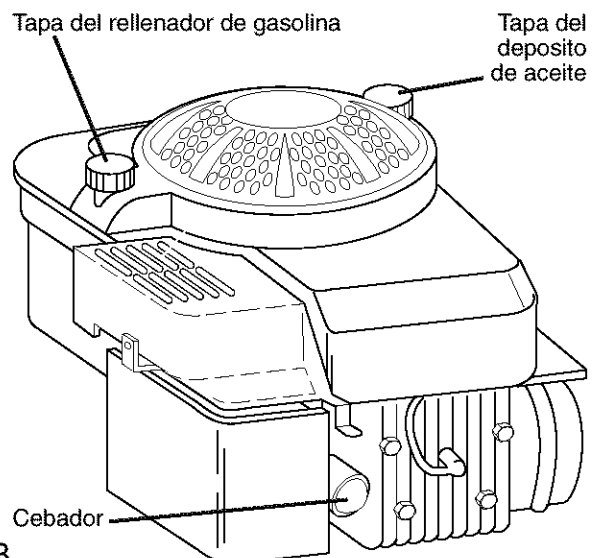
Su recortadora fue enviada sin aceite en el motor. Para el tipo y el grado del aceite a utilizar, vea el "MOTOR" en la sección del Mantenimiento de este manual.

PRECAUCIÓN: NO sobrellene el motor con aceite, o fumará pesa demante del silenciador cuando lo valla a arrancar.

1. Asegúrese que la segadora esté nivelada.
2. Remueva la varilla medidora de aceite del tubo de descarga de aceite.
3. Usted recibe un envase de aceite con la unidad. Vierta lentamente el envase entero de aceite en el tubo de relleno del motor.
4. Inserte y apriete la varilla medidora de aceite.

IMPORTANTE:

- Revise el nivel del aceite antes de cada uso. Agregue aceite si es necesario. Llenez hasta la línea de lleno en la varilla medidora de nivel.
- Cambie el aceite después de 25 horas de operación o una vez por temporada. Puede necesitar cambiar el aceite más a menudo cuando las condiciones son polvorosas o sucias.



GASOLINA

- Llène el estanque de combustible hasta la parte inferior del cuello de relleno del estanque de gasolina. No lo llene demasiado. Use gasolina regular, sin plomo, nueva y limpia con el mínimo de 87 octanos. No mezcle el aceite con la gasolina. Para asegurar que la gasolina utilizada sea fresca compre estanques los cuales puedan ser utilizados durante los primeros 30 días.

⚠PRECAUCIÓN: Limpie el aceite o el combustible derramado. No almacene, derrame o use gasolina cerca de una llama expuesta.

⚠PRECAUCIÓN: Los combustibles mezclados con alcohol (conocidos como gasohol, o el uso de etanol o metanol) pueden atraer la humedad, la que conduce a la separación y formación de ácidos durante el almacenamiento. La gasolina acídica puede dañar el sistema del combustible de un motor durante el almacenamiento. Para evitar los problemas con el motor, se debe vaciar el sistema del combustible antes de guardarlo por un período de 30 días o más. Vacíe el estanque del combustible, haga arrancar el motor y hágalo funcionar hasta que las líneas del combustible y el carburador queden vacíos. La próxima temporada use combustible nuevo. Vea las Instrucciones Para El Almacenamiento para más información. Nunca use productos de limpieza para el motor o para el carburador en el estanque del combustible pues se pueden producir daños permanentes.

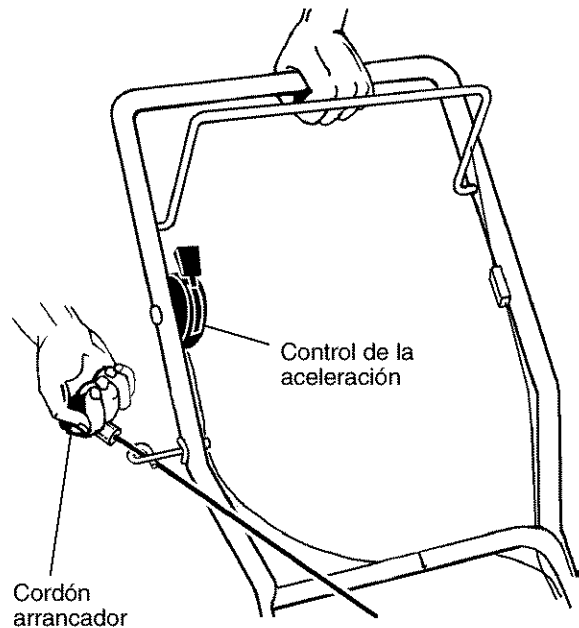
PARA PARAR EL MOTOR

- Para parar el motor, mueva la palanca de control de la aceleración a la posición de PARADA.

PARA HACER ARRANCAR EL MOTOR

1. Para hacer arrancar un motor frío, empuje el cebador tres (3) veces antes de iniciar. Empuje firmemente. Este paso normalmente no es necesario cuando se hace arrancar un motor que ya ha estado funcionando por unos cuantos minutos.
2. Mueva la palanca de control de la aceleración a la posición mas RÁPIDA.
3. Sujete la barra de control superior y tire del mango del arrancador rápidamente. No permita que el cordón arrancador se devuelva abruptamente.

AVISO: En climas más fríos puede que sea necesario repetir los pasos del cebado. En climas más calurosos el cebar demasiado puede producir el ahogo y el motor no va a arrancar. Si se ahoga el motor espere unos cuantos minutos antes de tratar de hacerlo arrancar y no repita los pasos del cebado.



AVISO PARA RECORTAR

- Fije el control de la aceleración a la posición RÁPIDA. Si las malas hierbas o el césped están altos y gruesos, opere la recortadora a una velocidad de paso más lento.
- Limpie con frecuencia la superficie de la recortadora para remueva cualquier acumulación de hierba. Mantenga la superficie del motor alrededor del arrancador despejado y limpio de recortes. Esto facilitará el flujo de aire de motor y alargará la vida del motor.
- Para mejores resultados y una línea duradera, utilice los extremos de la línea para hacer el corte. Esto se puede hacer con facilidad al mover lentamente través de las malas hierbas.
- Utilizar el lado izquierdo de la recortadora cuando se recortan recintos, paredes, parterres y otros objetos de ese tipo.
- Si las líneas de la recortadora se vuelven cortas, se necesitará más tiempo para terminar el trabajo. Si la línea de la recortadora se desgasta a menos de la mitad de su longitud original, debe ser substituida. Vea "PARA SUBSTITUIR LA LÍNEA DE LA RECORTADORA" en la sección del Mantenimiento de este manual.
- El contacto del cabezal con hormigón, asfalto u otras superficies duras puede causar el desgaste prematuro de la bola en la parte inferior del cabezal de la recortadora.

MANTENIMIENTO

PROGRAMA DE MANTENIMIENTO		FECHAS DE SERVICIO								
		ANTES DE CADA USO	DESPUES DE CADA USO	CADA 10 HORAS	CADA 25 HORAS O CADA TEMPORADA	ANTES DEL ALMACENAMIENTO				
RECORTADORA	Revisar si hay sujetadores sueltos	✓				✓				
	Limpiar la recortadora		✓			✓				
	Limpiar debajo de la cubierta del motor	✓ ₂				✓				
	Revisar las correas y las poleas impulsadas				✓					
	Verifique / reemplazar las líneas de la recortadora	✓ ₃								
MOTOR	Revisar el nivel del aceite	✓								
	Cambiar el aceite del motor				✓ _{1,2}					
	Limpiar el filtro de aire				✓ ₂					
	Inspeccionar el silenciador				✓					
	Limpiar o / cambiar la bujía				✓					
	Cambiar el cartucho de papel del filtro de aire					✓ ₂				

1 - Cambiar más a menudo cuando se opere bajo carga pesada o en ambientes con altas temperaturas.

2 - Dar servicio más a menudo cuando se opere en condiciones sucias o polvorosas.

3 - Reemplazar las líneas de la recortadora cuando se hayan gastado hasta la mitad de su largura original.

RECOMENDACIONES GENERALES

La garantía de esta recortadora no cubre los artículos que han estado sujetos al abuso o a la negligencia del operador. Para recibir todo el valor de la garantía, el operador tiene que mantener la recortadora según las instrucciones descritas en este manual.

Hay algunos ajustes que se tienen que hacer en forma periódica para poder mantener su unidad adecuadamente.

Todos los ajustes en la sección de Servicio y Ajustes de este manual tienen que ser revisados por lo menos un vez por cada temporada.

- Una vez al año, cambie la bujía y el elemento del filtro de aire. Una bujía nueva y un elemento del filtro de aire limpio/nuevo aseguran la mezcla de aire-combustible adecuada y ayudan a que su motor funcione mejor y que dure más.

- Siga el programa de mantenimiento en este manual.

ANTES DE CADA USO

1. Revise el nivel del aceite del motor.
2. Revise si hay sujetadores sueltos.
3. Limpiar debajo de la tapa del motor.

LUBRICACIÓN

Para prolongar la vida de su recortadora, cambie el aceite del motor como recomendado de esta sección de esta manual.

IMPORTANTE: No aceite o engrase los rodamientos de la rueda de plástico. Los lubricantes viscosos atraerán polvo y mugre, lo que acortará la duración de los rodamientos auto lubricantes. Si cree que se tienen que lubricar, use solamente un lubricante tipo grafito, de polvo seco, en forma moderada.

RECORTADORA

Siempre observe las reglas de seguridad cuando haga el mantenimiento.

LLANTAS

- Mantenga las llantas sin gasolina, aceite o sustancias químicas para control de insectos que pueden dañar la goma.
- Evite los tocones, las piedras, las grietas profundas, los objetos afilados y otros peligros que pueden dañar a las llantas.

LÍNEA DE LA RECORTADORA

Para un rendimiento óptimo, reemplazar las líneas de la recortadora cuando se hayan gastado hasta la mitad de su largura original. Utilice una línea de recortadora de **155 inch de diámetro**. Corte la nueva línea de la recortadora de **18-3/4 inch**. Tras instalar la nueva línea en el cabezal de la recortadora, controle todas las líneas para que la diferencia entre ellas no sea mayor de un (1) inch. Esto es importante para asegurarse de que el cabezal de la recortadora esté balanceado y no vibre de modo anómalo.

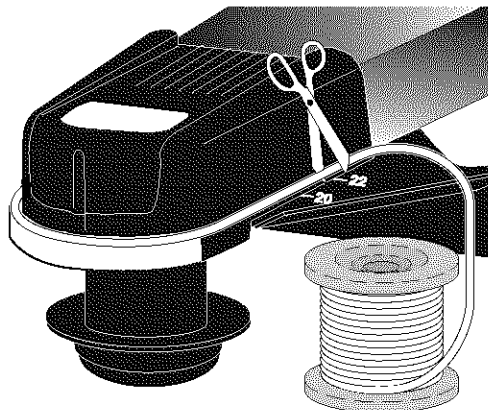
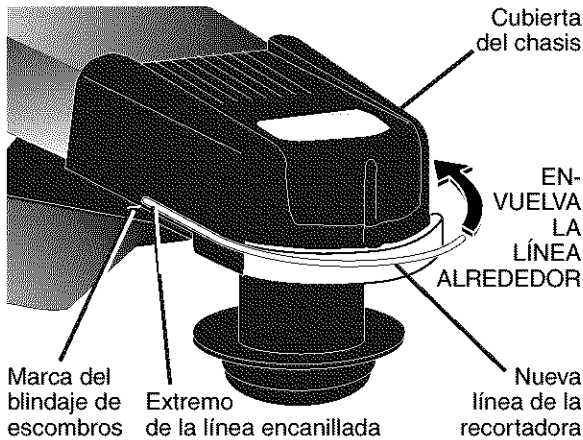
⚠PRECAUCIÓN: Utilice sólo la línea de recortadora recomendada. No utilice otros materiales como cables, cuerdas, cintas, etc. un cable podría romperse durante el funcionamiento y volverse un peligroso cohete que podría causar heridas serias.

PARA CORTAR LA LÍNEA A LA LONGITUD APROPIA

NOTA: La línea de la recortadora precortada a la longitud apropiada está disponible para esta unidad; vea la sección de las Piezas de Recambio de este manual.

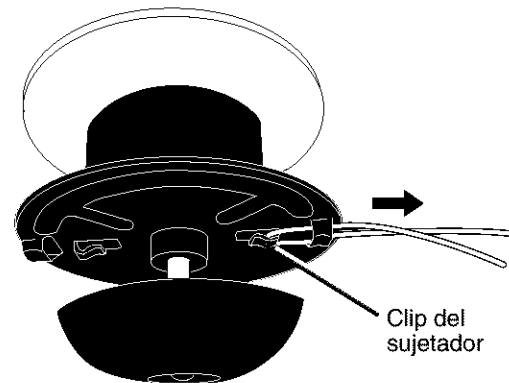
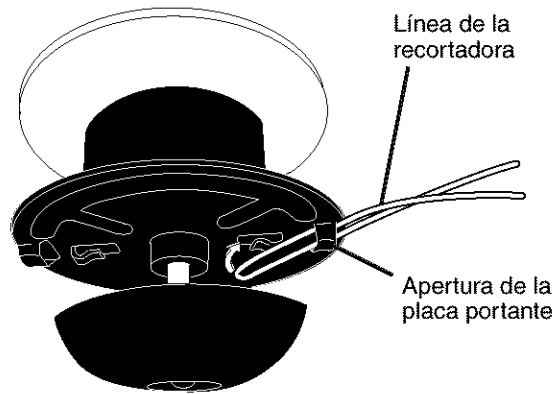
Si la línea de la recortadora se compra a por mayor, debe ser cortada a **18-3/4 pulgadas** antes de usar. Utilice la medida de longitud incorporada como sigue:

1. Del frente de la recortadora, ponga el extremo de la línea encanillada de la recortadora en la marca en la cara del blindaje de escombros según lo mostrado.
2. Envuelva la línea de la recortadora alrededor del frente de la cubierta del chasis a la otra cara y córtela en la marca "22" (anchura de corte de su unidad).



PARA REEMPLAZAR LAS LÍNEA DE LA RECORTADORA

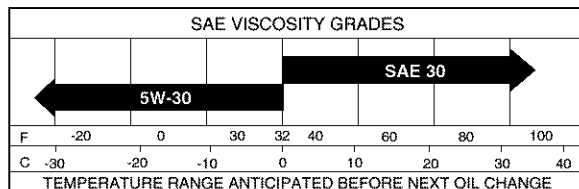
1. Desconecte el alambre de la bujía y póngalo de modo que no pueda entrar en contacto con ésta.
2. Remover la línea gastada de la placa portante.
3. Plegar en dos la nueva línea cortada a la medida e introducir la extremidad plegada a través de la placa portante abriendo el lado trasero del clip del sujetador.
4. Con la extremidad de la línea plagada en el lado trasero del clip del sujetador, empujar la línea hacia afuera hasta que la línea esté completamente colocada debajo del clip del sujetador.
5. Repetir en el otro lado de la placa portante.
6. Controlar las líneas para asegurarse que sean de la misma largura.
7. Vuelva a conectar el alambre de la bujía a ésta.



MOTOR

LUBRICACIÓN

Use solamente aceite de detergente de alta calidad clasificado con la clasificación SF-SJ de servicio API. Seleccione la calidad de viscosidad SAE según su temperatura de operación esperada.

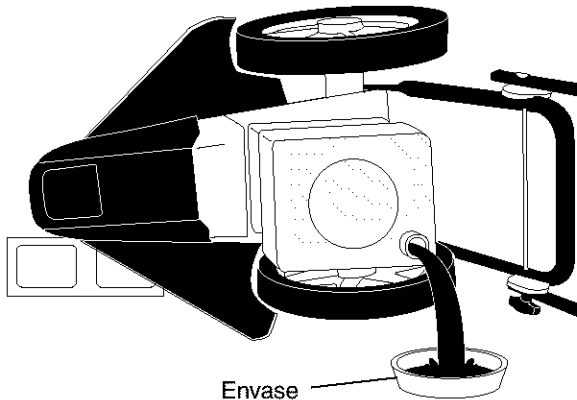


AVISO: A pesar de que los aceites de multiviscosidad (5W30, 10W30, etc.) mejoran el arranque en clima frío, estos aceites de multiviscosidad van a aumentar el consumo de aceite cuando se usan en temperaturas sobre 32° F. Revise el nivel del aceite del motor más a menudo, para evitar un posible daño en el motor, debido a que no tiene suficiente aceite. Cambie el aceite después de 25 horas de operación o por lo menos una vez al año si la recortadora se utiliza menos 25 horas el año. Revise el nivel del aceite del cárter antes de arrancar el motor y después de cada cinco (5) horas de uso continuado. Apriete el tapón del aceite en forma segura cada vez que revise el nivel del aceite.

PARA CAMBIAR EL ACEITE DEL MOTOR

AVISO: Antes de inclinar la recortadora para drenar el aceite, drene el tanque de combustible haciendo funcionar el motor hasta que el tanque esté vacío.

1. Desconecte el alambre de la bujía y póngalo de modo que no pueda entrar en contacto con ésta.
2. Remueva la tapa del depósito del aceite; déjela a un lado en una superficie limpia.
3. Inclíne la recortadora y hágala descansar en su lado y drene el aceite en un envase adecuado. Mueva la recortadora de atrás para adelante para remover todo el aceite que se haya quedado atrapado dentro del motor.



4. Limpie todo el aceite derramado en la recortadora y en el lado del motor.
5. Llène el motor con aceite (Vea "AGREGUE ACEITE" en la sección de Operación de este manual).
6. Vuelva a poner la tapa en el depósito del aceite.
7. Vuelva a conectar el alambre de la bujía a ésta.

FILTRO DE AIRE

Su motor puede sufrir averías y funcionar de manera incorrecta con un filtro del aire sucio. Sustituir el papel del cartucho una vez al año o tras 100 horas de funcionamiento, más a menudo si se utiliza en condiciones de suciedad y polvo particulares.

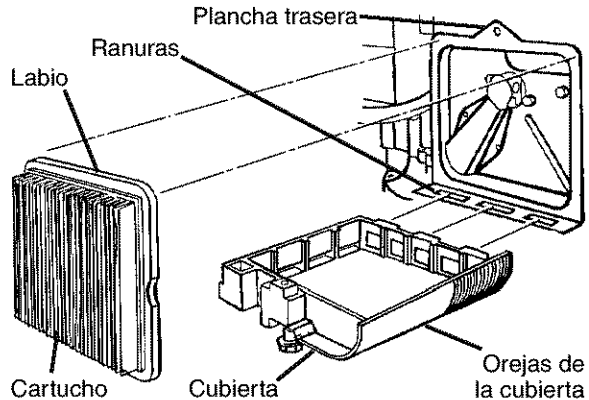
PARA LIMPIAR EL FILTRO DE AIRE

1. Suelte el tornillo e incline la cubierta para removerlo.
2. Cuidadosamente, remueva el cartucho.

3. Límpielo golpeándolo suavemente en una superficie plana. Si está muy sucio cambie el cartucho.

PRECAUCIÓN: Los solventes de petróleo, tales como el keroseno, no se deben usar para limpiar el cartucho. Pueden producir el deterioro de éste. No aceite el cartucho. No use aire a presión para limpiarlo o secarlo.

4. Instale el cartucho, luego vuelva a poner la cubierta asegurándose que las orejas estén alineadas con las ranuras en la plancha trasera. Apriete el tornillo en forma segura.



SILENCIADOR

Inspeccione y cambie el silenciador si está corroído pues producir un peligro de incendio y/o daño.

BUJÍA

Cambie el bujía al comienzo de cada temporada de siega o después de cada 100 horas de operación, lo que suceda primero. El tipo de bujía y el ajuste de la abertura aparecen en "ESPECIFICACIONES DEL PRODUCTO" sección de este manual.

LIMPIEZA

IMPORTANT: Para obtener el mejor rendimiento, mantenga la caja de la recortadora sin acumulación de césped y residuos. Limpie la parte de su recortadora después de cada uso.

PRECAUCIÓN: Desconecte el alambre de la bujía y póngalo en donde no pueda entrar en contacto con ésta.

- Haga descansar la recortadora en su lado. Asegúrese que el filtro de aire y que el carburador queden mirando hacia arriba. Limpie la parte inferior de su recortadora raspándola para remover la acumulación de césped y residuos.
- Limpie el motor a menudo para evitar la acumulación de residuos. Un motor tapado funciona a temperatura más alta y se acorta su duración.
- Mantenga las superficies limpias y las ruedas sin gasolina, aceite, etc.
- No recomendamos el uso de una manguera de jardín para limpiar la recortadora a menos que el sistema eléctrico, el silenciador, el filtro de aire y el carburador estén tapados para evitar que les entre el agua. El agua en el motor puede acortar la duración de éste.

SERVICIO Y AJUSTES

⚠ ADVERTENCIA: Para evitar lesiones serias antes de dar cualquier servicio o de hacer ajustes:

1. Pare el motor.
2. Asegúrese que las líneas rotatorias y que todas las partes movibles se hayan detenido completamente.
3. Desconecte el alambre de la bujía y póngalo en donde no pueda entrar en contacto con ésta.

SEGADORA

PARA AJUSTAR LA ALTURA DEL RECORTE

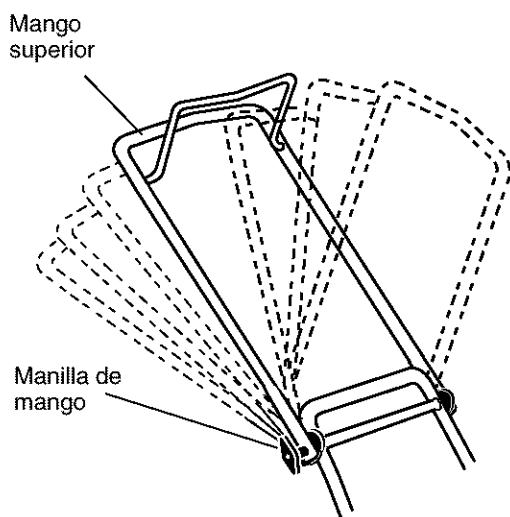
Vea "PARA AJUSTAR LA ALTURA DEL RECORTE" en la sección de Operación de este manual.

PARA AJUSTAR EL MANGO

El mango superior puede ser ajustado en diferentes posiciones de altura

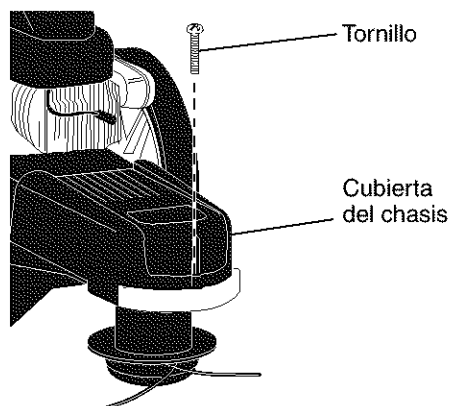
1. Afloje la perilla del mango lo suficiente para permitir que el mango gire hasta la posición deseada.
2. Apriete la perilla del mango de modo firme.

NOTA: La parrilla y la perno del mango pueden ser invertidos para las operaciones sobre el lado izquierdo.

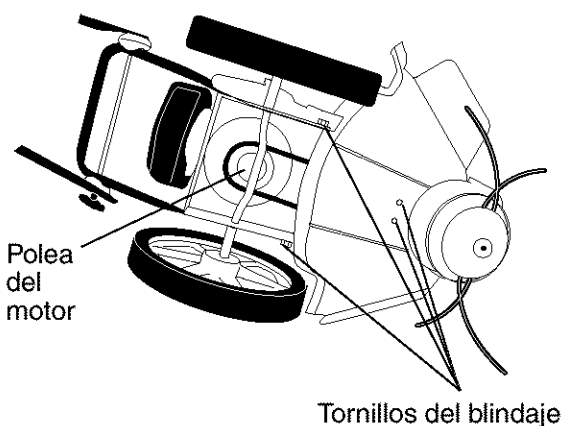


PARA REMOVER/AJUSTAR LA CORREA DE IMPULSIÓN DEL CABEZAL DE LA RECORTADORA

1. Remueva el tornillo en el frente de la cubierta del chasis.
2. Gire la cubierta hacia arriba y a distancia de la recortadora.



3. Remueva los dos (2) tornillos de los lados de la recortadora que aseguran el blindaje.
4. Ponga la recortadora en su lado con el carburador y con el tapón del combustible hacia arriba.
5. Remueva los dos (2) tornillos de la parte inferior de la recortadora que aseguran el blindaje.
6. Desliza el blindaje hacia atrás y remuevalo.
7. Remueva la correa de la polea del motor sobre el cigüeñal.

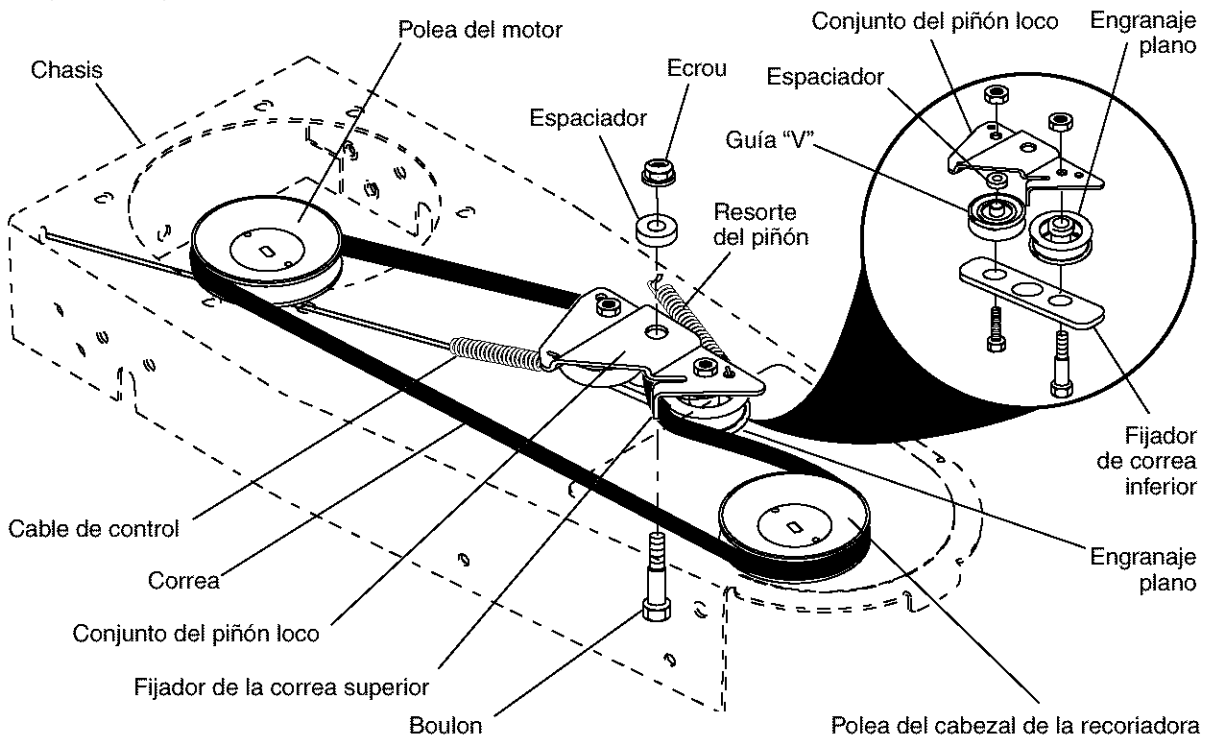


8. Remueva la correa de la polea del cabezal de la recortadora.
9. Observe la posición del cable de control y del resorte de llamada del piñón loco. A continuación remueva el conjunto del piñón loco del chasis y remueva la correa y el piñón loco de la recortadora.
10. Remueva la correa del conjunto del piñón loco al remover el fijador de correa inferior y las poleas del piñón.
11. Monte la nueva correa, las poleas del piñón loco y el fijador de correa inferior al soporte del piñón. Apriete los pernos de la polea con seguridad.

AVISO: Asegúrese que la correa esté en el interior del fijador de la correa superior sobre el conjunto del piñón.

12. Instale la correa y el conjunto del piñón loco en la recortadora, vuelva a conectar un resorte del piñón loco y monte el piñón loco al chasis. Apriete con seguridad.
13. Instale la correa alrededor de la polea del cabezal de la recortadora y de la polea del motor.
14. Sustituya el blindaje y apriete los cuatro (4) tornillos con seguridad.
15. Sustituya la cubierta del chasis y apriete el tornillo con seguridad.

Utilice siempre las piezas de recambio Craftsman para asegurar un ajuste adecuado y una vida larga.



MOTOR

VELOCIDAD DEL MOTOR

La velocidad del motor ha sido ajustada en la fábrica. No trate de aumentar la velocidad del motor pues se pueden producir lesiones personales. Si cree que el motor está funcionando demasiado rápido o demasiado lento, lleve su unidad a un centro de servicio Sears o a un otro centro de servicio cualificado para la reparación y/o el ajuste.

CARBURADOR

Su carburador no es ajustable. Si su motor no está funcionando en forma adecuada debido a problemas que se sospecha vienen del carburador, lleve su unidad a un centro de servicio Sears o a un otro centro de servicio cualificado para la reparación y/o el ajuste.

IMPORTANTE: Nunca manipulee el regulador del motor, el que ha sido ajustado en la fábrica para la velocidad del motor adecuada. Puede ser peligroso hacer funcionar el motor a una velocidad por sobre el ajuste de alta velocidad de la fábrica. Si cree que la velocidad alta regulada del motor necesita ajuste, lleve su unidad a un centro de servicio Sears o a un otro centro de servicio cualificado, el que cuenta con el equipo adecuado y la experiencia para hacer los ajustes necesarios.

ALMACENAMIENTO

Prepare inmediatamente su recortadora para el almacenamiento al final de cada temporada o si la unidad no se va a usar por 30 días o más.

RECORTADORA

Cuando se va a guardar la recortadora por un cierto período de tiempo, límpiela cuidadosamente, remueva toda la mugre, la grasa, las hojas, etc. Guárdela en un área limpia y seca.

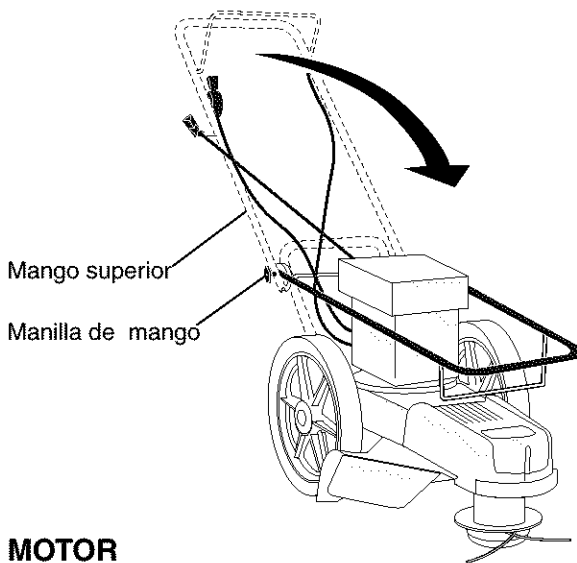
1. Limpie toda la recortadora (Vea "LIMPIEZA" en la sección de Mantenimiento de este manual).
2. Lubríquela según se muestra en la sección de Mantenimiento de este manual.
3. Asegúrese de que todas las tuercas y clavijas y todos los pernos y tornillos estén apretados en forma segura. Inspeccione las partes que se mueven para verificar si están dañadas, quebradas o desgastadas. Cámbielas si es necesario.
4. Retoque todas las superficies que estén oxidadas o con la pintura picada; use una lija antes de pintar.

MANGO

Usted puede plegar el mango de su recortadora para el almacenaje.

- Afloje la perilla del mango lo suficiente para permitir al mango superior ser plegado hacia adelante.

IMPORTANTE: Cuando doble el mango para el almacenamiento o el transporte, asegúrese que lo doble según se muestra o puede danar los cables de control.



MOTOR

SISTEMA DE COMBUSTIBLE

IMPORTANTE: Es importante evitar que se formen depósitos de partes fundamentales del sistema de combustible tales como el carburador, el filtro del combustible, la manguera del combustible o en el estanque durante el almacenamiento. Los combustibles mezclados con alcohol (conocido como gasohol o que tienen etanol o metanol) pueden atraer humedad, lo que conduce a la separación y a la

formación de ácidos durante almacenamiento. La gasolina ácida puede dañar el sistema de combustible de un motor durante el período de almacenamiento.

- Vaciar el depósito del carburante poniendo en marcha el motor y dejándolo funcionar hasta que el carburante termine y el carburador esté vacío.
- Nunca use los productos para limpieza del carburador o del motor en el estanque de combustible pues se pueden producir daños permanentes.
- Use combustible nuevo la próxima temporada.

AVISO: El estabilizador de combustible es una alternativa aceptable para reducir a un mínimo la formación de depósitos de goma en el combustible durante el período de almacenamiento. Agregue estabilizador a la gasolina en el estanque de combustible o en el envase para el almacenamiento. Siempre siga la proporción de mezcla que se encuentra en el envase del estabilizador. Haga funcionar el motor por lo menos 10 minutos después de agregar el estabilizador, para permitir que este llegue al carburador. No drene la gasolina del estanque de gasolina y el carburador si se está usando estabilizador de combustible.

ACEITE DEL MOTOR

Drene el aceite (con el motor caliente) y cámbielo con aceite de motor limpio. (Vea "MOTOR" en la sección de Mantenimiento de este manual.)

CILINDRO

1. Remueva la bujía.
2. Vacíe una onza (29 ml) de aceite a través del agujero de la bujía en el cilindro.
3. Tire la manilla de arranque lentamente unas cuantas veces para distribuir el aceite.
4. Vuelva a montar la nueva bujía.

OTROS

- No guarde la gasolina de una temporada a la otra.
- Cambie el envase de la gasolina si se empieza a oxidar. La oxidación y/o la mugre en su gasolina producirán problemas.
- Si es posible, guarde su unidad en un recinto cerrado y cúbrala para protegerla contra el polvo y la mugre.
- Cubra su unidad con un forro protector adecuado que no retenga la humedad. No use plástico. El plástico no puede respirar, lo que permite la formación de condensación, lo que producirá la oxidación de su unidad.

IMPORTANTE: Nunca cubra la recortadora mientras el motor y las áreas de escape todavía están calientes.

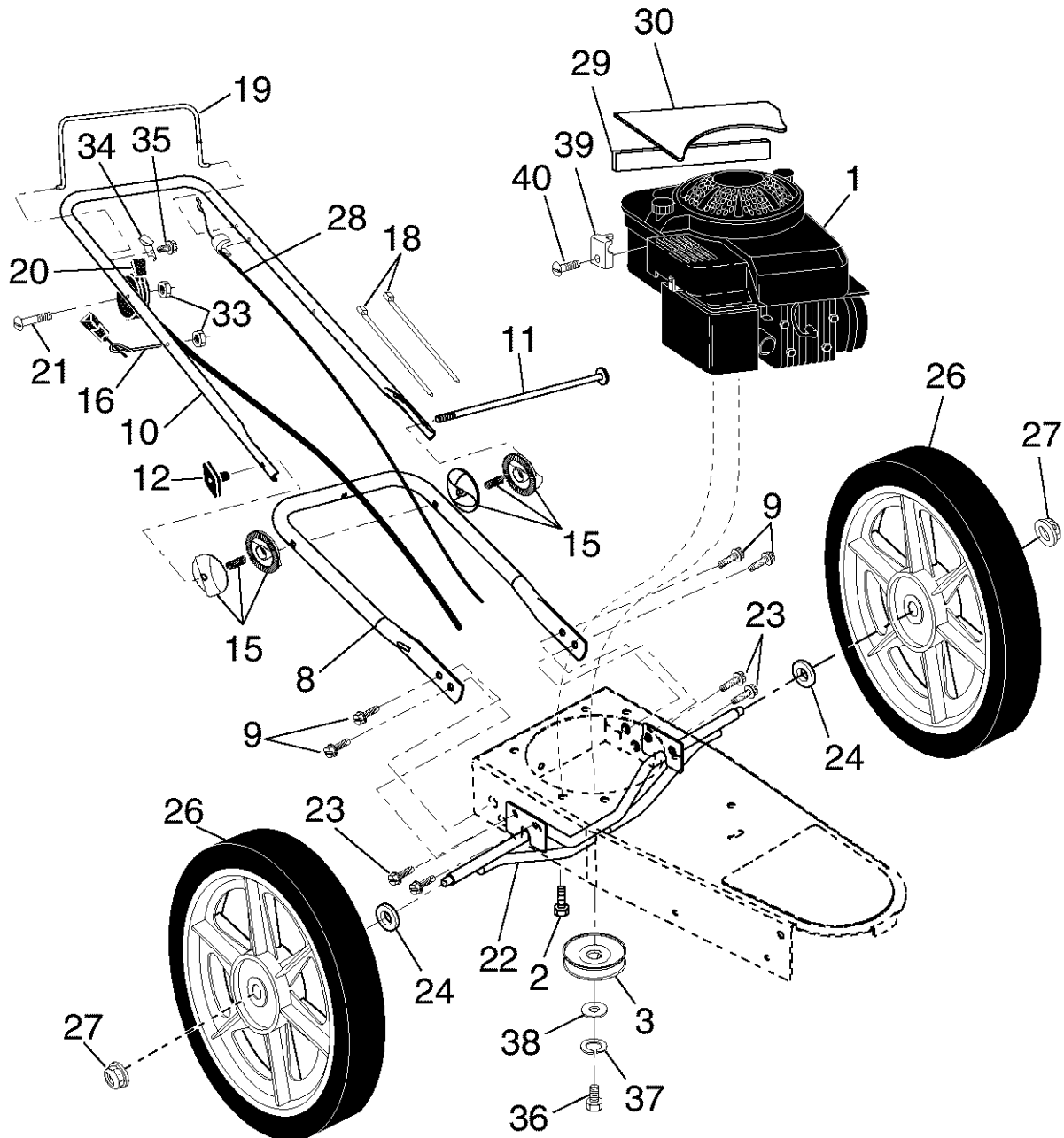
PRECAUCIÓN: Nunca almacene la recortadora con gasolina en el depósito dentro de un edificio en donde los gases pueden alcanzar una llama expuesta o una chispa. Permita que se enfríe el motor antes de almacenarla en un lugar cerrado.

SOLUCIÓN DE PROBLEMAS - Vea la sección apropiada en el manual amenos que esté dirigido a un centro de servicio Sears.

PROBLEMA	CAUSA	CORRECCIÓN
No arranca	<ol style="list-style-type: none"> 1. Filtro de aire sucio. 2. Sin combustible. 3. Combustible rancio. 4. Agua en el combustible. 5. Alambre de la bujía desconectado. 6. Bujía mala. 7. La palanca de control de la aceleración no está en posición correcta (si existe). 	<ol style="list-style-type: none"> 1. Limpie/cambie el filtro de aire. 2. Llene el estanque de combustible. 3. Vaciar el estanque y vuelva a llenarlo con combustible limpio y nueva. 4. Vaciar el estanque y vuelva a llenarlo con combustible limpio y nueva. 5. Conecte el alambre a la bujía. 6. Cambie la bujía. 7. Mover la palanca de aceleración en la posición RÁPIDA.
Pérdida de potencia	<ol style="list-style-type: none"> 1. Filtro de aire sucio. 2. Acumulación de hierba, hojas y residuos debajo de la recortadora. 3. Demasiado aceite en el motor. 4. Velocidad de recorrido demasiado rápida. 	<ol style="list-style-type: none"> 1. Limpie/cambie el filtro de aire. 2. Limpiar debajo de la recortadora y del cabezal de la recortadora. 3. Revise el nivel del aceite. 4. Corte a una velocidad de recorrido más lenta.
Vibración excesiva	<ol style="list-style-type: none"> 1. Líneas irregulares o rotas. 2. Tuercas o pernos sueltos. 3. Cabezal de la recortadora dañado. 	<ol style="list-style-type: none"> 1. Controlar las líneas de la recortadora. 2. Controlar toda la ferretería, incluidos los pernos del motor. 3. Controlar/arreglar el cabezal de la recortadora.
Cordón arrancador difícil de tirar	<ol style="list-style-type: none"> 1. Cigüeñal del motor plegado. 	<ol style="list-style-type: none"> 1. Pongase en contacto con un centro de servicio Sears o con un otro centro de servicio cualificado.
Pérdida de movimiento del cabezal	<ol style="list-style-type: none"> 1. Correa que no marcha. 	<ol style="list-style-type: none"> 1. Colocar la correa en las poleas o reemplazar la correa si está rota.
Difícil de empujar	<ol style="list-style-type: none"> 1. Posición de la altura del mango no adecuada para usted. 	<ol style="list-style-type: none"> 1. Ajuste la altura del mango de modo que le acomode.
Rendimiento de corte escaso	<ol style="list-style-type: none"> 1. La línea de la recortadora es demasiado corta. 2. La palanca de control de la aceleración no está en posición correcta (si existe). 	<ol style="list-style-type: none"> 1. Si la línea está gastada o rota hasta la mitad de su largura original, reemplazar la línea. 2. Mover la palanca de aceleración en la posición RÁPIDA.
El cabezal de la recortadora mantiene la línea	<ol style="list-style-type: none"> 1. Línea de la recortadora no correctamente instalada/reemplazada. 2. Clip del sujetador roto. 3. Línea de la recortadora de medida incorrecta. 	<ol style="list-style-type: none"> 1. Seguir las instrucciones en la sección Mantenimiento . 2. Reemplazar el conjunto de la placa portante de la cuerda. 3. Utilizar una línea de recortadora de diámetro .155 inch.

REPAIR PARTS

CRAFTSMAN WEED TRIMMER - - MODEL NUMBER 917.773705



CRAFTSMAN WEED TRIMMER - - MODEL NUMBER 917.773705

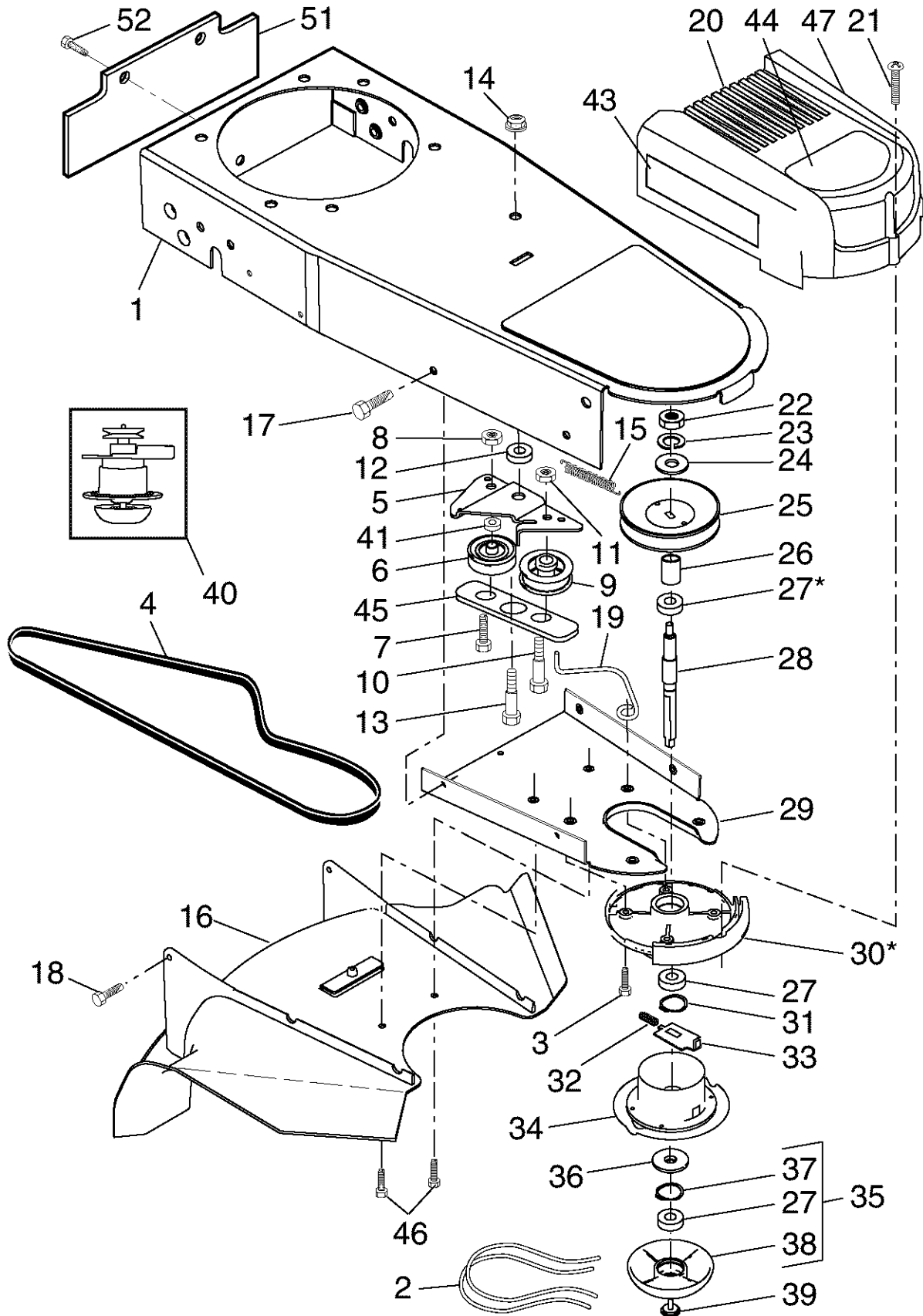
KEY NO.	PART NO.	DESCRIPTION
1	- - -	Engine, Briggs & Stratton, Model Number 122H02-0220-B1 (See Breakdown)
2	150406	Bolt, Engine Mounting 3/8-16
3	179466	Pulley, Engine (Includes Setscrew, Key #4)
8	169821X479	Handle, Lower
9	150078	Screw, Hex Washer Head 5/16-18 x .75
10	169797X479	Handle, Upper
11	170980	Bolt, Handle
12	136376	Knob, Handle
15	179751	Handle Adjuster Assembly
16	179585	Guide, Rope
18	66426	Wire Tire
19	176983	Control Bar
20	177814	Throttle Control
21	158755	Screw, Hex Washer Head
22	178700X004	Axle Shaft Assembly
23	150078	Screw, Hex Washer Head 5/16-18 x .75
24	52160	Washer, Axle
26	752063	Wheel, 14 x 2
27	83923	Nut, Hex, Flangelock 3/8-16
28	181699	Drive Control Cable
29	178365	Decal, Warning
30	178364	Decal, Engine Cover
33	132004	Nut
34	86899X004	Bracket, Upstop
35	750634	Screw, Threaded, Rolled #10-24 x 5/8
36	851084	Bolt, Hex Head
37	850263	Washer, Lock
38	851074	Washer, Flat, Hardened
39	111190X	Clamp, Cable
40	83816	Screw
--	186825	Owner's Manual, English/Spanish

Available accessories not included with trimmer:

71 33623	Gas Can (2.5 gallons)
71 33000	SAE 30W Oil (20 ounces)
71 79991	Trimmer Line (Pack of 24 strings, .155 dia.)

NOTE: All component dimensions given in U.S. inches
1 inch = 25.4 mm

CRAFTSMAN WEED TRIMMER -- MODEL NUMBER 917.773705

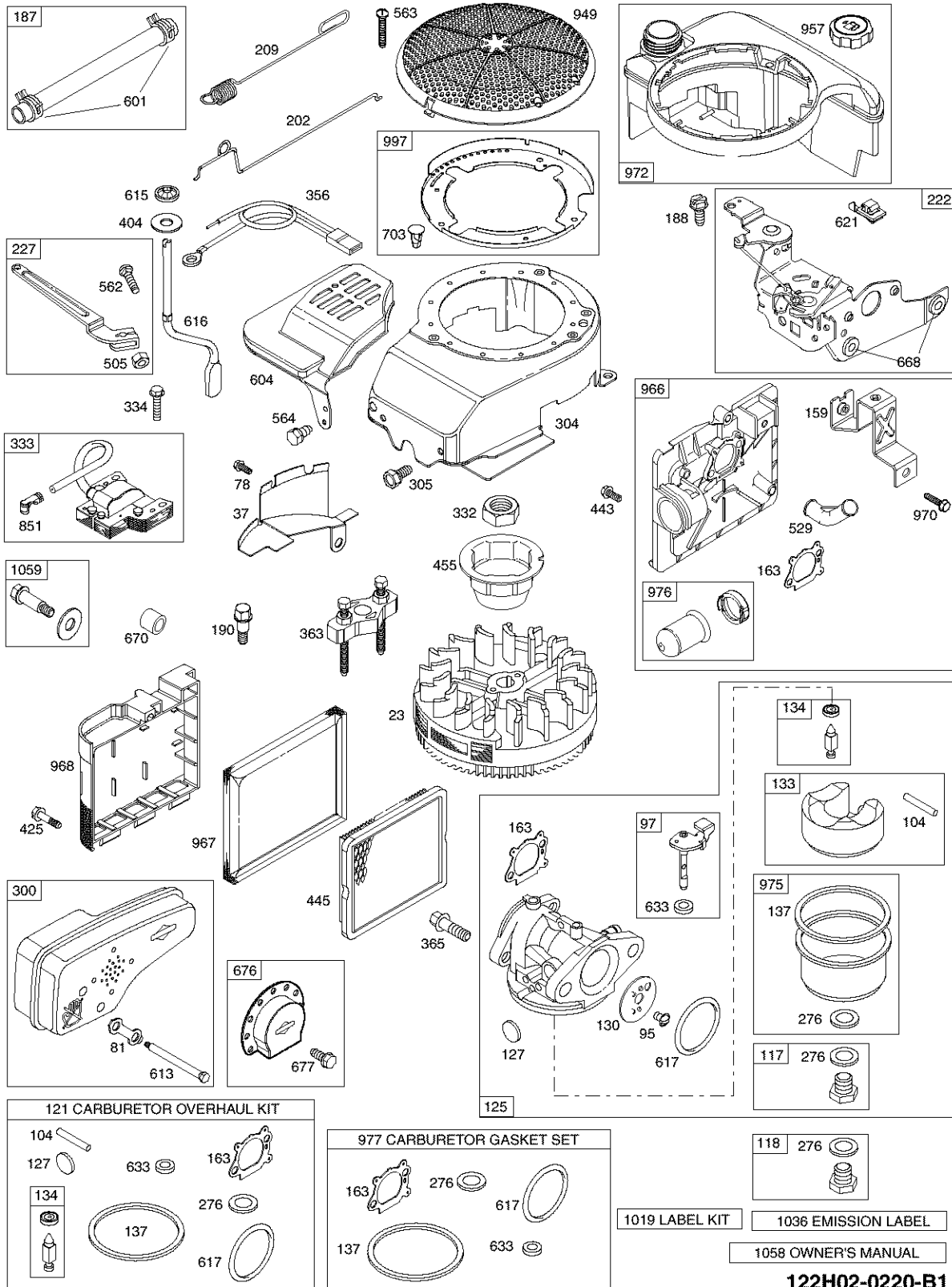


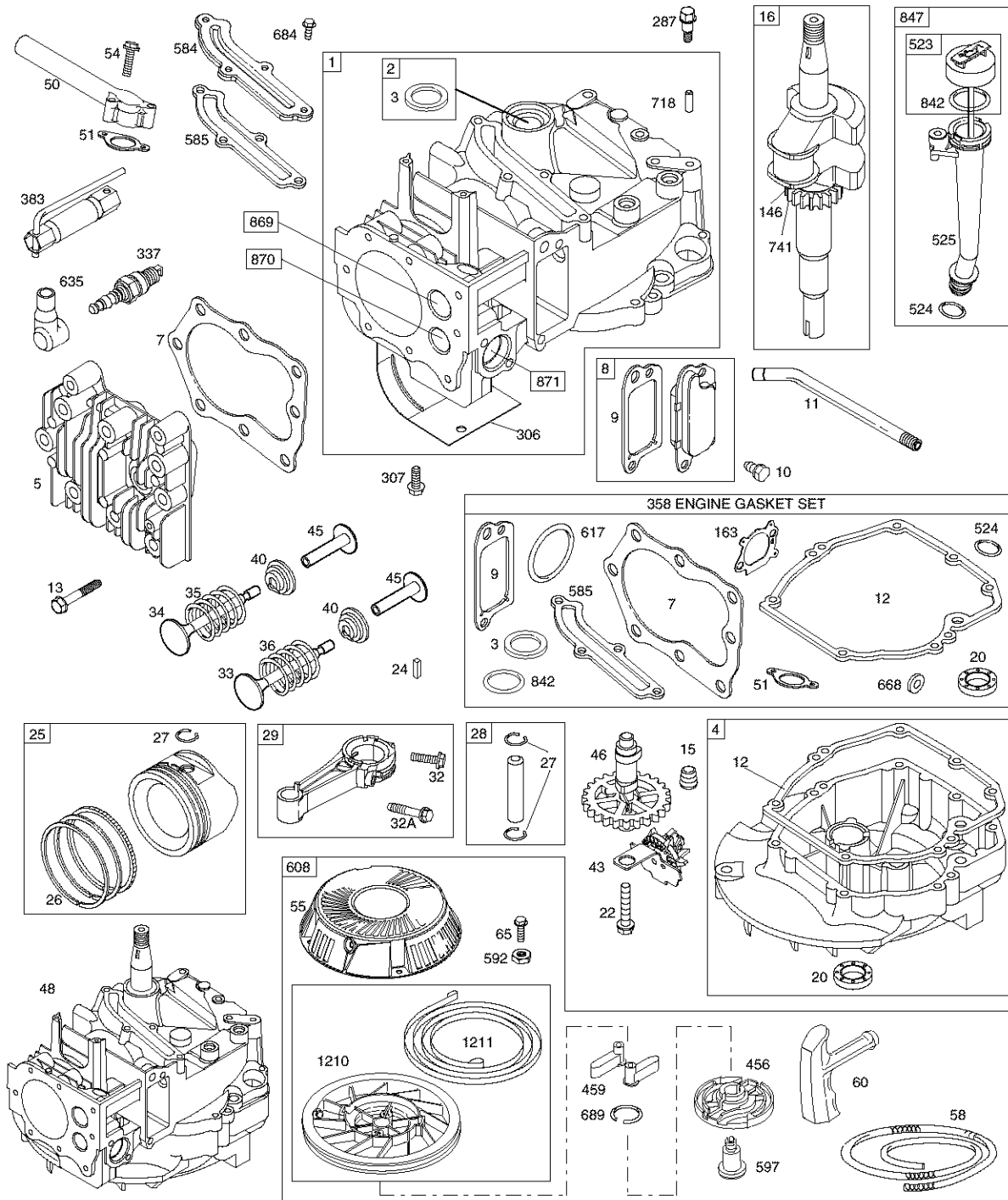
CRAFTSMAN WEED TRIMMER - - MODEL NUMBER 917.773705

KEY NO.	PART NO.	DESCRIPTION
1	174031X558	Chassis Assembly
2	182133	Line, Trimmer .155 diameter x 18.75 long
3	173715	Screw, Self-Tapping 5/16-18 x 1
4	185476	V-Belt
5	172145X004	Bracket, Idler
6	166042	Pulley, Idler, V-Groove
7	173716	Bolt, Hex Head 3/8-16 x 1.25
8	751592	Locknut, Hex 3/8-16
9	166043	Pulley, Idler, Flat
10	160829	Bolt, Shoulder
11	155552	Locknut 5/16-18
12	173717	Spacer
13	174719	Bolt, Shoulder
14	145212	Locknut, Flange
15	173811	Spring, Return
16	180268	Deflector, Bottom
17	57808	Screw 1/4-20 x 1/2
18	178848	Screw #10-24 x 3/4
19	187336	Belt Keeper
20	170553	Cover, Chassis, Top
21	149746	Screw #10-24 x 1-3/4
22	STD541137	Nut, Hex 3/8-24 UNF
23	STD551137	Washer, Lock 3/8
24	STD551037	Washer, Flat 3/8
25	180340	Pulley, Driven
26	172551	Spacer, Pulley
27	174549	Bearing
28	172520	Jackshaft
29	169766X479	Cover, Chassis, Bottom
30	174543	Spindle Housing Assembly (* Includes Upper Bearing, Key Number 27)
31	174581	Ring, Retaining, External, 17mm
32	176973	Spring, Locking Plate
33	172519	Locking Plate
34	180338	Carrier Plate Assembly
35	182217	Mow Ball Assembly (Includes Key Numbers 27, 37 and 38)
36	172516	Cover, Bearing
37	174580	Ring, Retaining, Internal, 40mm
38	172523	Mow Ball
39	180334	Bolt, Mow Ball
40	180333	Spindle Assembly, Complete (Includes Key Numbers 22-28 and 30-39)
41	174029	Spacer
43	174042	Decal, Instruction
44	174035	Decal, Chassis Cover
45	174596X479	Belt Keeper, Bottom
46	17060408	Screw, Self-Tapping
47	174036	Decal, Instruction
51	179875	Deflector, Rear
52	178848	Screw

NOTE: All component dimensions given in U.S. inches
1 inch = 25.4 mm







KEY NO.	PART NO.	DESCRIPTION
1	697322	Cylinder Assembly
2	399269	Kit-Bushing/Seal
3	299819	• Seal-Oil (Magneto Side)
4	493279	Sump-Engine
5	691160	Head-Cylinder
7	692249	Gasket-Cylinder Head
8	695250	Breather Assembly
9	696125	Gasket-Breather
10	691125	Screw (Breather Assembly)
11	691781	Tube-Breather
12	692232	• Gasket-Crankcase
13	690912	Screw (Cylinder Head)
15	691680	Plug-Oil Drain
16	691451	Crankshaft

KEY NO.	PART NO.	DESCRIPTION	
20	399781	• Seal-Oil (PTO Side)	
22	691092	Screw (Engine Sump)	
23	691992	Flywheel	
24	222698	Key-Flywheel	
25	499429	Piston Assembly (Standard)	
	499430	Piston Assembly (.010" Oversize)	
	499431	Piston Assembly (.020" Oversize)	
	499432	Piston Assembly (.030" Oversize)	
26	499425	Ring Set-Piston (Standard)	
	499426	Ring Set-Piston (.010" Oversize)	
	499427	Ring Set-Piston (.020" Oversize)	
	499428	Ring Set-Piston (.030" Oversize)	
27	691866	Lock-Piston Pin	
37	28	499423	Pin-Piston

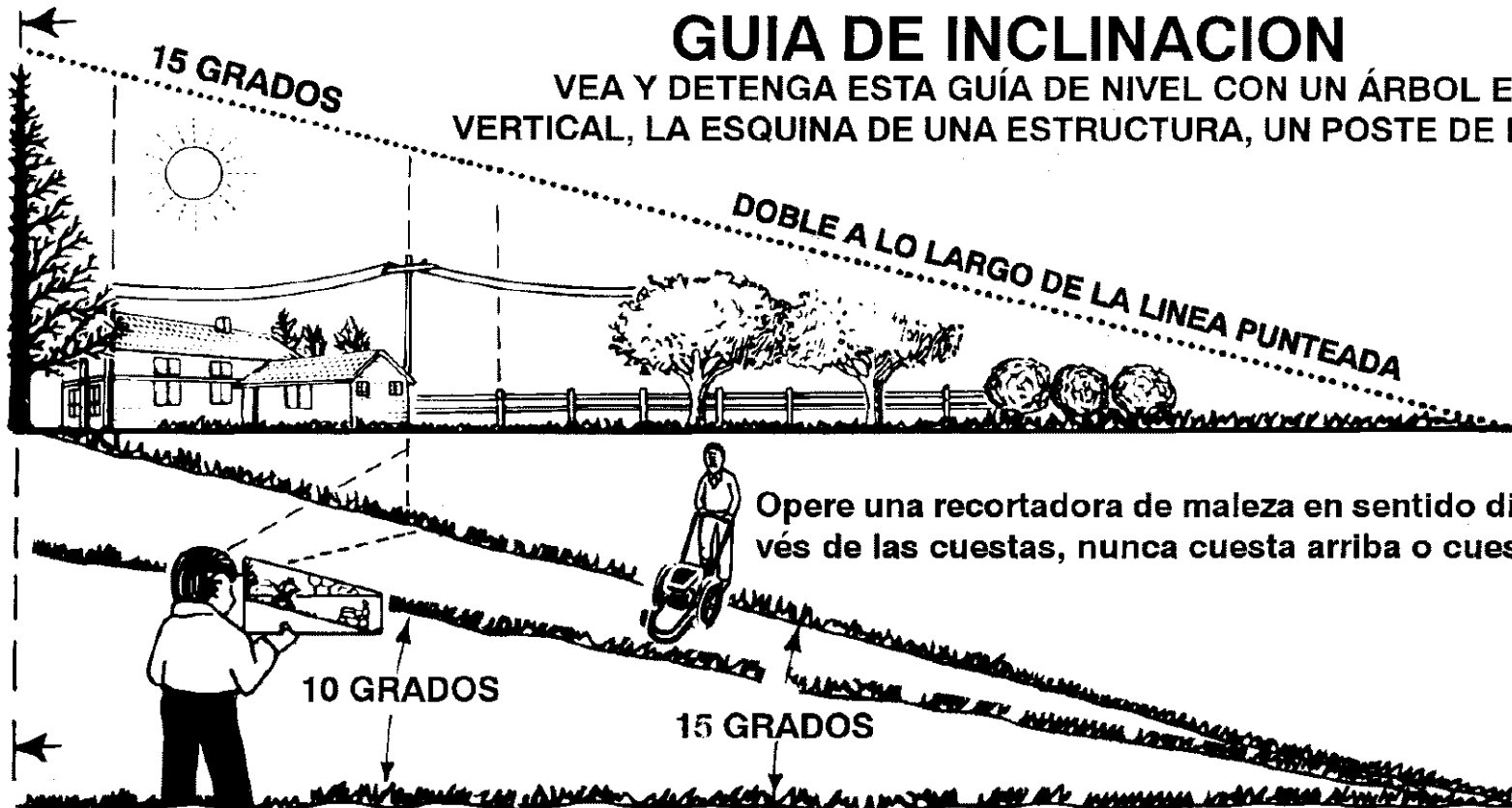
KEY NO.	PART NO.	DESCRIPTION	KEY NO.	PART NO.	DESCRIPTION
29	499424	Rod-Connecting	456	692299	Plate-Pawl Friction
32	691664	Screw (Connecting Rod)	459	281505	Pawl-Ratchet
32A	695759	Screw (Connecting Rod)	505	231082	Nut (Governor Control Lever)
33	262651	Valve-Exhaust	523	495264	Dipstick
34	262652	Valve-Intake	524	692296	• Seal-Dipstick Tube
35	691270	Spring-Valve (Intake)	525	495265	Tube-Dipstick
36	691270	Spring-Valve (Exhaust)	529	691923	Grommet
37	694086	Guard-Flywheel	562	92613	Bolt (Governor Control Lever)
40	692194	Retainer-Valve	563	691138	Screw (Debris Guard Cover)
43	691997	Slinger-Governor/Oil	564	690664	Screw (Control Cover)
45	690548	Tappet-Valve	584	692342	Cover-Breather Passage
46	691449	Camshaft	585	691879	• Gasket-Breather Passage
48	498826	Short Block (Replacement Engine 125H02-0005-D1)	592	690800	Nut (Rewind Starter)
50	497465	Manifold-Intake	597	691696	Screw (Pawl Friction Plate)
51	272199	• Gasket-Intake	601	95162	Clamp-Hose
54	691650	Screw (Intake Manifold)	604	691757	Cover-Control
55	697670	Housing-Rewind Starter	608	697671	Starter-Rewind
58	692259	Rope-Starter (Cut to Length)	613	691340	Screw (Muffler)
60	281434	Grip-Starter Rope	615	690340	Retainer-Governor Shaft
65	690837	Screw (Rewind Starter)	616	691308	Crank-Governor
78	691108	Screw (Flywheel Guard)	617	270344	• Ø± Seal-O Ring (Intake Manifold)
81	691740	Lock-Muffler Screw	621	692310	Switch-Stop
95	691636	Screw (Throttle Valve)	633	691321	• Ø± Seal-Choke/Throttle Shaft
97	696565	Shaft-Throttle	635	66538	Boot-Sparkplug
104	691242	Ø Pin-Float Hinge	668	493823	• Spacer (Includes 2)
117	494870	Jet-Main (Standard)	670	692294	Spacer-Fuel Tank
118	497466	Jet-Main (High Altitude)	676	393760	Deflector-Muffler
121	498260	Kit-Carburetor Overhaul	677	690661	Screw (Muffler Deflector)
125	498170	Carburetor	684	690345	Screw (Breather Passage Cover)
127	694468	Ø Plug-Welch	689	691855	Spring-Friction
130	696564	Valve-Throttle	703	696309	Clip
133	398187	Float-Carburetor	718	690959	Pin-Locating
134	398188	Ø Valve-Needle/Seat	741	691830	Gear-Timing
137	693981	Ø± Gasket-Float Bowl	842	691031	• Seal-O Ring (Dipstick Tube)
146	690979	Key-Timing	847	692017	Assembly-Dipstick/Tube
159	691753	Bracket-Air Cleaner Primer	851	493880	Terminal-Sparkplug
163	272653	• Ø± Gasket-Air Cleaner	869	691155	Seat-Valve (Intake)
187	691050	Line-Fuel (Cut to Required Length)	870	690380	Seat-Valve (Exhaust)
188	690877	Screw (Control Bracket)	871	262001	Bushing-Guide (Exhaust)
190	690940	Screw (Fuel Tank)		63709	Bushing-Guide (Intake)
202	691829	Link-Mechanical Governor	949	696306	Guard-Debris Screen
209	691291	Spring-Governor	997	696310	Shield-Debris
222	692031	Bracket-Control	957	397974	Cap-Fuel Tank
227	690783	Control Lever-Governor	966	496116	Base-Air Cleaner Primer
276	271716	Ø± Sealing Washer	967	493537	Filter-Pre Cleaner
287	690940	Screw (Dipstick Tube)	968	692298	Cover-Air Cleaner
300	692038	Muffler	970	691669	Screw (Air Cleaner Primer Bracket)
304	493294	Housing-Blower	972	495224	Tank-Fuel
305	691108	Screw (Blower Housing)	975	493640	Bowl-Float
306	690450	Shield-Cylinder	976	694395	Primer-Carburetor
307	690345	Screw (Cylinder Shield)	977	498261	Set-Carburetor Gasket
332	690662	Nut (Flywheel)	1019	494256	Kit-Label
333	802574	Armature-Magneto	1036	695111	Label-Emission
334	691061	Screw (Armature Magneto)	1058	275177	Owner's Manual
337	802592	Spark Plug	1059	692311	Kit-Screw/Washer
356	692390	Wire-Stop	1210	498144	Assembly-Pulley/Spring (Pulley)
358	497316	Engine Gasket Set	1211	498144	Assembly-Pulley/Spring (Spring)
363	19069	Flywheel Puller			• Included in Engine Gasket Set, Key No. 358
365	692524	Screw (Carburetor)			Ø Included in Carburetor Overhaul Kit, Key No. 121
383	89838	Wrench-Spark Plug			‡ Included in Carburetor Gasket Set, Key No. 977
404	690272	Washer (Governor Crank)			
425	690670	Screw (Air Cleaner Cover)			
443	692523	Screw (Air Cleaner Primer Base)			
445	491588	Filter-Air Cleaner Cartridge			
455	695161	Cup-Flywheel			

NOTE: All component dimensions given in U.S. inches
1 inch = 25.4 mm



GUIA DE INCLINACION

VEA Y DETENGA ESTA GUÍA DE NIVEL CON UN ÁRBOL EN POSICIÓN VERTICAL, LA ESQUINA DE UNA ESTRUCTURA, UN POSTE DE LUZ O UNA CERCA.



Utilice este guía, y no recorte en una cuesta mayor de 15 grados.

Una inclinación de 10 grados es una cuesta que aumenta aproximadamente 1.7 pies de altura, por cada 10 pies.

Una inclinación de 15 grados es una cuesta que aumenta aproximadamente 2.5 pies de altura, por cada 10 pies.



Use extrema precaución y evite cambios de dirección o movimientos bruscos y repentinos cuando recorte en cuestas. Siga las instrucciones adicionales en este manual para recortar con seguridad en las cuestas. Opere la recortadora de maleza en diagonal a través de la cuesta, nunca cuesta arriba o cuesta abajo. Use extrema precaución cuando opere la recortadora en o cerca de las cuestas y cualquier obstáculo que pudiera obstruir la operación.

Get it fixed, at your home or ours!

Your Home

For repair – **in your home** – of **all** major brand appliances, lawn and garden equipment, or heating and cooling systems, **no matter who made it, no matter who sold it!**

For the replacement parts, accessories and owner's manuals that you need to do-it-yourself.

For Sears professional installation of home appliances and items like garage door openers and water heaters.

1-800-4-MY-HOME® Anytime, day or night
(1-800-469-4663) (U S A and Canada)
www.sears.com www.sears.ca

Our Home

For repair of carry-in products like vacuums, lawn equipment, and electronics, call or go on-line for the nearest **Sears Parts and Repair Center.**

1-800-488-1222 Anytime, day or night (U S A only)
www.sears.com

To purchase a protection agreement (U.S.A.) or maintenance agreement (Canada) on a product serviced by Sears:

1-800-827-6655 (U.S.A.) **1-800-361-6665** (Canada)

Para pedir servicio de reparación a domicilio, y para ordenar piezas:

1-888-SU-HOGARSM
(1-888-784-6427)

Au Canada pour service en français:

1-800-LE-FOYER^{MC}
(1-800-533-6937)
www.sears.ca

SEARS

© Sears, Roebuck and Co

® Registered Trademark / TM Trademark / SM Service Mark of Sears, Roebuck and Co

® Marca Registrada / TM Marca de Fabrica / SM Marca de Servicio de Sears, Roebuck and Co

^{MC} Marque de commerce / ^{MD} Marque deposee de Sears, Roebuck and Co