

# KRUPS

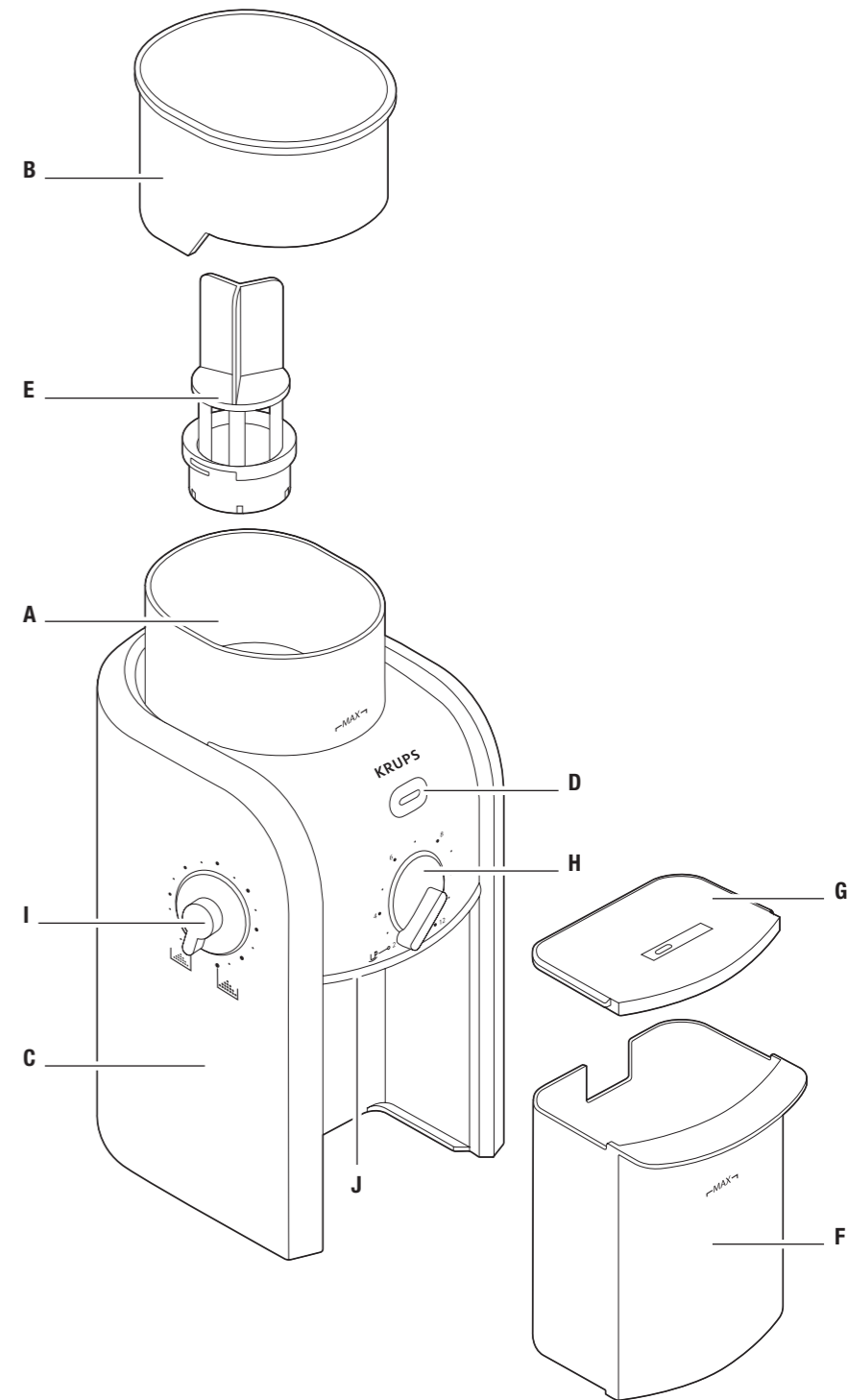
GVX212

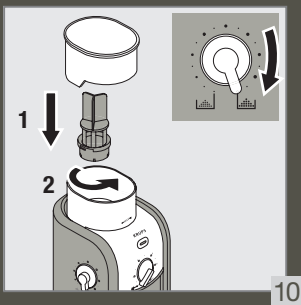
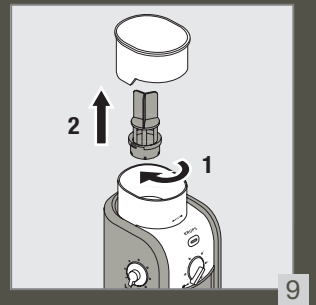
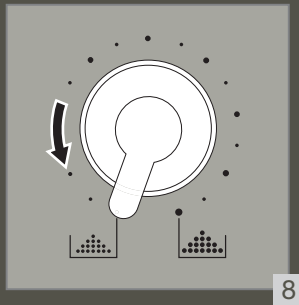
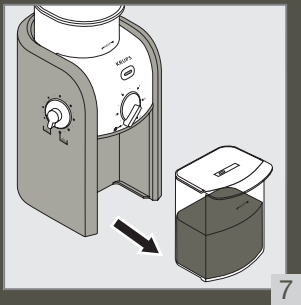
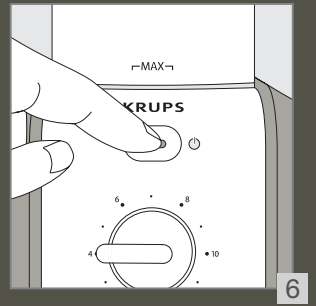
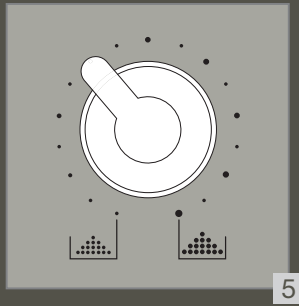
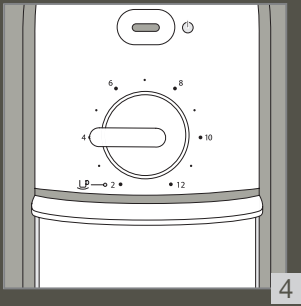
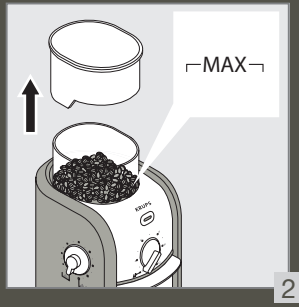
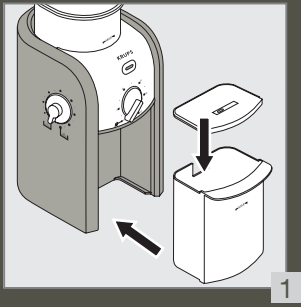


EN

ES

FR





# IMPORTANT SAFEGUARDS

**When using electrical appliances, basic safety precautions should always be followed:**

1. Read all instructions before using the burr grinder.
2. To protect against fire, electric shock and injury to persons, do not immerse cord, plugs or machine in water or other liquid.
3. This appliance is not intended for use by persons (including children) with reduced physical, sensory or mental capacities, or lack of experience and knowledge, unless they are closely supervised and instructed concerning use of the appliance by a person responsible for their safety. Close supervision is necessary when any appliance is used by or near children. Children should be supervised to ensure that they do not play with the appliance.
4. Portable - Turn the appliance OFF, then unplug from the outlet when not in use, before assembling or disassembling parts and before cleaning. To unplug, grasp the plug and pull from the outlet. Never pull from the power cord.
5. Avoid contact with moving parts.
6. To reduce the risk of severe injury to persons or damage to the appliance, keep hands and utensils out of the bean hopper while grinding, and when the appliance is plugged in.
7. Do not operate the grinder with a damaged cord or plug or after the appliance malfunctions, or is dropped or damaged in any manner. In this case, return the appliance to the KRUPS approved Service Center for examination, repair, or electrical or mechanical adjustment.
8. The use of attachments not recommended or sold by KRUPS may cause fire, electric shock or injuries.
9. Do not use outdoors.
10. Do not let cord hang over edge of table or counter or touch

hot surfaces, including the stove.

11. Check hopper for presence of foreign objects before using.
12. Always operate the burr grinder with the lid securely in place.
13. Do not place on or near a hot gas or electric burner or in a heated oven.
14. Do not operate the appliance when empty.
15. This product has been designed for domestic use only. Any professional use, inappropriate use or failure to comply with the instructions will void the manufacturer's Warranty.
  - Do not use appliance for other than intended use.

## SAVE THESE INSTRUCTIONS

### CAUTION

This appliance is for household use only. Any servicing other than cleaning and user maintenance should be performed by the nearest authorized KRUPS Service Center.

- Do not immerse appliance in water.
- To reduce the risk of fire or electric shock, do not dismantle the appliance. Repair should be done by an authorized KRUPS Service Center only.

### SHORT CORD INSTRUCTIONS

Regarding your Cord Set:

- A. A short power-supply cord is provided to reduce the risks resulting from becoming entangled in or tripping over a longer cord.
- B. Extension cords should be used with caution.
- C. If an extension cord is used, **(1)** the marked electrical rating of the extension cord should be at least as great as the electrical rating of the appliance, **(2)** if the appliance is of the grounded type, the extension cord should be of a grounded type and **(3)** the longer cord should be arranged so that it will not drape over the counter top or table top where it can be pulled on by children or tripped over.
- D. This appliance has a polarized plug (one blade is wider than the other). To reduce the risk of electric shock, this plug is intended to fit into a polarized outlet only one way. If the plug does not fit fully in the outlet, reverse the plug. If it still does not fit, contact a qualified electrician. Do not attempt to modify the plug in any way.

### POLARIZED PLUG

This appliance has a polarized plug (one blade is wider than the other), to reduce the risk of electrical shock. This plug will fit into a polarized outlet only one way. If the plug does not fit fully into the outlet, reverse the plug. If it still does not fit, contact a qualified electrician. Do not modify the plug in any way.

Thank you for choosing an appliance from the KRUPS range of food preparation products.

## DESCRIPTION

<b>A</b> Coffee-bean hopper	<b>F</b> Ground coffee holder
<b>B</b> Coffee-bean hopper lid	<b>G</b> Ground coffee holder lid
<b>C</b> Body	<b>H</b> Number of cups selector
<b>D</b> ON/OFF switch	<b>I</b> Ground coffee fineness selector
<b>E</b> Removable upper burr	<b>J</b> Ground coffee dispenser

## ABOUT GRINDING COFFEE

The proper grind gives the most flavorful cup of coffee. The grind depends on the method by which the coffee is to be brewed. Generally, the finer the grind the more quickly the coffee should be prepared. That is why coffee ground for use in an espresso machine is much finer than coffee to be brewed in a drip system.

Coffee that is ground too fine for a particular brewing process – (fine espresso grind used in an automatic drip coffee machine) will result in over-extraction and bitter, pungent tasting coffee. Conversely, coffee that is too coarse for a particular brew method will result in under-extraction and weak, watery coffee. If the correct grind is used, adding more coffee simply makes a brew stronger without making it bitter.

In addition to providing a number of grind settings, coffee mills provide a consistent grind. This is important to ensure the extraction is consistent a cross all of the ground coffee particles.

## BEFORE FIRST USE

Before using the coffee mill, wipe the housing and bean hopper with a clean damp cloth. Wash the bean hopper lid, the coffee ground coffee holder and the ground coffee holder lid in hot soapy water, then rinse and dry. The ground coffee holder, its lid, and the bean hopper lid can be washed in the top rack of a dishwasher.

## OPERATING THE COFFEE MILL

1. **Make certain the coffee mill is unplugged.** Fit the ground coffee holder and its lid in their correct positions. Check that the assembly is correctly positioned in the body **(1)**.
2. Remove the lid of the coffee bean hopper and fill the bean hopper to the level desired **(2)**. Do not fill above the “max.” level. Replace the lid and make certain that it is correctly positioned **(3)**.  
**NOTE: This product is designed to grind whole bean coffee only.**
3. Set the quantity of ground coffee by positioning the number of cups selector according to the desired quantity **(4)**.
4. Set the ground coffee fineness level by adjusting the ground coffee fineness selector to the desired level **(5)**. (see § Practical Hints)
5. Insert the plug into an electrical socket (voltage: 120 volts ~ 60 Hz).
6. Press the ON/OFF switch to start the appliance **(6)**.
7. Once the selected quantity has been milled, the appliance will stop automatically.

8. If you want to stop the appliance before milling is complete, press the ON/OFF switch.
9. Remove the ground coffee holder, tap the receptacle gently, remove the lid and pour the ground coffee into the filter of the coffee maker or use a measuring spoon (7).
10. To obtain additional ground coffee, repeat the operating cycle. Always first make sure that the ground coffee does not go above the “max.” level of the ground coffee holder.

Selected settings will be retained from one use to the next.

### **IMPORTANT!**

For your appliance to run correctly, make certain that:

- The lid to the coffee -bean hopper is correctly positioned.
- The ground coffee holder and its lid are correctly placed in the body of the appliance.

## **PRACTICAL HINTS**

- It is best to store coffee-beans a dry, cool place. Beans should be kept in an opaque, airtight container.
- Grind the coffee just prior to brewing it.

### **Advice to select the level of fineness of your ground coffee**

- Use the fineness selector to adjust the grind according to the type of coffee maker.
- Generally, the quicker the water goes through the ground coffee, the finer the ground coffee should be.

A “medium” ground is thus suited to making filter coffee while a “very fine” ground is needed to make an Espresso.

- For the first use, we suggest that you use an intermediate position and then adjust the setting to your taste. Once you have used the appliance a few times, you will find the ideal grind setting to suit your taste and brew method.

- **Do not change the grind setting while the appliance is running.**

### **Suggested Grind Settings:**

<b>GRIND</b>	<b>TYPE OF COFFEE MAKER</b>
Fine	Espresso
Medium/Fine	Auto Drip w/ Permanent Filter
Medium	Auto Drip w/ Permanent Filter
Medium/Coarse	Percolator
Coarse	French Press

### **Advice to select the number of cups**

- Use the number of cups selector to program the quantity of ground coffee you want.
- The more cups you select, the longer the appliance will run.
- The mill grinds 1/4 oz. of coffee per cup selected.

## MAINTENANCE

- To keep all your coffee's aroma and to avoid a degradation of the ground coffee, empty the ground coffee holder after each use.
- Always disconnect the grinder before cleaning.
- Never place the grinder, power supply cord or plug in water or under running water.
- Do not use strong detergents or abrasive pads to clean the appliance.
- Clean the lids and the ground coffee holder in warm, soapy water or place them in the upper basket of your dishwasher.
- To remove the upper burr, set the fineness selector to the fine position **(8)** then take hold of the winglets of the upper mill with your fingers and turn clockwise, then raise it vertically to remove **(9)**.
- Carefully clean the inside of the coffee- bean tank with a damp cloth.
- To replace the upper burr, set the fineness selector to the coarse position, insert the burr and turn it once in the counter-clockwise direction **(10)**.
- Carefully clean the ground coffee dispenser and the body of the appliance with a damp cloth.

## TROUBLESHOOTING GUIDE

The appliance does not work.	Check the electrical connection.
	The lid of the coffee bean hopper is not correctly positioned.
	The ground coffee hopper is not correctly positioned or the lid of the ground coffee hopper is not correctly positioned or is not in place.
The appliance stops during operation.	<p>The appliance has too much heated. The thermal fuse of the motor released. You have to contact an approved service center.</p> <p><b>Causes of overheating to be avoided:</b> The maximum capacity of beans in the bean hopper, or the maximum capacity of ground coffee in the ground coffee holder has been exceeded.</p>
The selector of the ground fineness does not work anymore.	Check the upper burr is correctly positioned. (See paragraph concern

# KRUPS INTERNATIONAL LIMITED GUARANTEE

 : [www.krups.com](http://www.krups.com)

This product is **repairable** by KRUPS during and after the **guarantee period**

Accessories, consumables and end-user replaceable parts can be purchased, if locally available, as described on the KRUPS internet site [www.krups.com](http://www.krups.com)

## **The Guarantee :**

This product is guaranteed by KRUPS (company address and details included in the country list of the KRUPS International Guarantee) against any manufacturing defect in materials or workmanship for a period of **2 years** starting from the initial date of purchase or delivery date (restrictions on the number of cycles per year may be applicable and described, in this case, in the instruction manual supplied with the product or available on [www.krups.com](http://www.krups.com)).

The international manufacturer's guarantee by KRUPS is an extra benefit which does not affect consumer's Statutory Rights.

The international manufacturer's guarantee covers all costs related to restoring the proven defective product so that it conforms to its original specifications, through the repair or replacement of any defective part and the necessary labour. At KRUPS's choice, an equivalent or superior replacement product may be provided instead of repairing a defective product. KRUPS's sole obligation and your exclusive resolution under this guarantee are limited to such repair or replacement.

## **Conditions & Exclusions :**

The international KRUPS guarantee only applies within the guarantee period and for those countries listed in the country list attached and is valid only on presentation of a proof of purchase. The product can be taken directly in person to an authorised service centre or must be adequately packaged and returned, by recorded delivery (or equivalent method of postage), to a KRUPS authorised service centre. Full address details for each country's authorised service centres are listed on KRUPS website ([www.krups.com](http://www.krups.com)) or by calling the appropriate telephone number as set out in the country list to request the appropriate postal address.

KRUPS shall not be obliged to repair or replace any product which is not accompanied by a valid proof of purchase.

This guarantee will not cover any damage which occurs as a result of misuse, negligence, failure to follow KRUPS instructions, use on current or voltage other than as stamped on the product, or a modification or unauthorised repair of the product. It also does not cover normal wear and tear, maintenance or replacement of consumable parts, or the following:

- using the wrong type of water or consumable
- damage as a result of lightning or power surges
- scaling (any de-scaling must be carried out according to the instructions for use)
- damages or poor results due to wrong voltage or frequency
- professional or commercial use
- ingress of water, dust or insects into the product (excluding appliances with features specifically designed for insects)
- mechanical damages, overloading
- accidents including fire, flood, thunderbolt, etc
- damage to any glass or porcelain ware in the product

This guarantee does not apply to any product that has been tampered with, or to damages incurred through improper use and care, faulty packaging by the owner or mishandling by any carrier.

In order to offer the best possible after-sales service and constantly improve customer satisfaction, KRUPS may send a satisfaction survey to all customers who have had their product repaired or exchanged in a KRUPS authorised service centre.

The international KRUPS guarantee applies only for products purchased in one of the countries listed, and used for domestic purposes only in one of the countries listed on the Country List. Where a product purchased in one listed country and then used in another listed country:

- a. The international KRUPS guarantee does not apply in case of non-conformity of the purchased product with the local standards, such as voltage, frequency, power plugs, or non-conformity with other local legal requirements or other local technical specifications.
- b. The repair process for products purchased outside the country of use may require a longer time if the product is not locally sold by KRUPS country of usage.
- c. In cases where the product is not repairable in the new country of usage, the international KRUPS guarantee is limited to a replacement by a similar product or an alternative product at similar cost, where possible.

## **Consumer Statutory Rights :**

This international KRUPS guarantee does not affect the statutory rights a consumer may have or those rights that cannot be excluded or limited, nor rights against the retailer from which the consumer purchased the product. This guarantee gives a consumer specific legal rights, and the consumer may also have other legal rights which vary from State to State or Country to Country. The consumer may assert any such rights at his sole discretion.

## **For Australia only:**

Our goods come with guarantees that cannot be excluded under the Australian Consumer Law. You are entitled to a replacement or refund for a major failure and compensation for any other reasonably foreseeable loss or damage. You are also entitled to have the goods repaired or replaced if the goods fail to be of acceptable quality and the failure does not amount to a major failure.

\*\*\* Please keep this document for your reference should you wish to make a claim under the guarantee

# MEDIDAS DE SEGURIDAD IMPORTANTES

**Cuando utilice aparatos eléctricos deberá seguir siempre algunas medidas básicas de seguridad:**

1. Lea todas las instrucciones antes de usar el molino.
2. Para evitar incendios, descargas eléctricas y/o lesiones, no sumerja el cable, el enchufe o el aparato en el agua ni en ningún otro líquido.
3. Este artefacto no puede ser usado por personas (incluidos los niños) con capacidades físicas, sensoriales o mentales limitadas, o sin experiencia o conocimientos, a menos que sean supervisadas de cerca o que reciban instrucciones relacionadas al uso del artefacto por parte de una persona responsable de su seguridad. Los niños deben ser supervisados para asegurarse de que no jueguen con el artefacto.
4. Portátil: Apague el artefacto, luego desenchúfelo del tomacorriente cuando no esté en uso, antes de ensamblar o desensamblar partes y antes de la limpieza. Para desenchufar, tome el enchufe y tírelo del tomacorriente. Nunca tire del cable de alimentación.
5. Evite el contacto con las piezas en movimiento.
6. Para disminuir el riesgo de sufrir lesiones graves o dañar el aparato, mantenga las manos y utensilios alejados del depósito de granos cuando está moliendo, y cuando el aparato está enchufado.
7. No use el molino si el cable o el enchufe están dañados, si su funcionamiento es defectuoso, si se ha caído al suelo o se ha dañado de forma alguna. En este caso, acuda a un centro de servicio autorizado Krups para que sea examinado y reparado, ya sean ajustes eléctricos y/o mecánicos.
8. El uso de accesorios no recomendados o no vendidos por

KRUPS podría provocar incendios, descargas eléctricas o lesiones físicas.

9. No utilice el aparato en exteriores.
10. No deje que el cable cuelgue sobre la mesa, o que entre en contacto con superficies calientes, como la estufa.
11. Compruebe que no hay objetos extraños en el depósito antes de usarlo.
12. Ponga en funcionamiento siempre el molino con la tapa bien fijada.
13. No lo coloque encima o cerca de una hornilla eléctrica o de gas calientes, o en un horno caliente.
14. No ponga en funcionamiento el aparato en vacío.
15. Este aparato está diseñado solamente para uso doméstico. Cualquier uso comercial, uso incorrecto o el no seguimiento de las instrucciones anulará la garantía del fabricante.
  - No utilice el aparato para un uso distinto del previsto.

## CONSERVE ESTAS INSTRUCCIONES

### PRECAUCIÓN

Este aparato ha sido diseñado exclusivamente para uso doméstico. Todos los servicios, a excepción de la limpieza y el mantenimiento a realizar por el usuario deben ser llevados a cabo por un servicio KRUPS autorizado.

- No sumerja el aparato en agua.
- Para reducir el riesgo de incendios o descargas eléctricas, no desarme el aparato. Las reparaciones deberán ser realizadas únicamente por un servicio KRUPS autorizado.

### INSTRUCCIONES PARA EL USO DE CABLES CORTOS

Información sobre su cable:

- A. El aparato se suministra con un cable corto para disminuir los riesgos derivados de enredos o tropiezos que se pueden producir con cables más largos.
- B. Los cables alargadores deben utilizarse con precaución.
- C. Si se usa un cable alargador, **(1)** las especificaciones eléctricas de dicho cable deberán ser como mínimo iguales a las del aparato **(2)** si el aparato posee toma de tierra, el cable alargador deberá poseer también toma de tierra y **(3)** el cable alargador deberá colocarse de manera que no quede sobre la encimera o la mesa en lugar donde los niños puedan tirar de él o tropezarse.
- D. Este aparato tiene un enchufe polarizado (una clavija es más ancha que la otra). Para disminuir el riesgo de descargas eléctricas, este enchufe debe encajar en un tomacorriente polarizado en una sola dirección. Si el enchufe no entrara totalmente en el tomacorriente, gírelo. Si aún así no entra, consulte con un electricista calificado. No intente modificar el enchufe de ninguna manera.

## ENCHUFE POLARIZADO

Este aparato posee un enchufe polarizado (una clavija es más ancha que la otra), para disminuir la posibilidad de que se produzcan descargas eléctricas. Este enchufe encaja en un tomacorriente solo en una dirección. Si el enchufe no entra completamente en el tomacorriente, gírelo. Si aún así no entra, consulte con un electricista calificado. No modifique el enchufe en modo alguno.

Gracias por comprar un aparato Krups de la gama de productos de preparación de alimentos.

### DESCRIPCIÓN

<b>A</b> Recipiente de café	<b>F</b> Contenedor de café molido
<b>B</b> Tapa del recipiente de café	<b>G</b> Tapa del contenedor de café molido
<b>C</b> Cuerpo	<b>H</b> Selector del número de tazas
<b>D</b> Botón On-Off	<b>I</b> Selector de finura de la molienda
<b>E</b> Muela superior removible	<b>J</b> Salida del café molido

Datos eléctricos  
120 V~ 60 Hz 110 W

### SOBRE MOLER CAFÉ

El molido perfecto nos ofrece una taza de café con gran aroma y sabor. La molienda depende del método en que se va a utilizar el café. Generalmente, mientras más fino es el molido, más rápido se preparará el café. Es por eso que el molido para un café espresso es mucho más fino que el café que se prepara en una cafetera de goteo.

El café que es molido muy finamente para un proceso de preparación especial (molido fino para espresso utilizado en una cafetera automática de goteo) resultará en una sobre-extracción y un sabor amargo. Por el contrario, si el molido es muy grueso resultará en una sub-extracción y un café débil y con mucha agua. Si se utiliza el nivel de molienda correcto, añadir más café simplemente hará que el producto sea más fuerte sin hacerlo amargo. Además de tener varios niveles de molienda, las muelas de café ofrecen un molido consistente. Esto es importante para asegurar que la extracción es consistente en todas las partículas de café.

### ANTES DEL PRIMER USO

Antes de utilizar el molino de café, limpie el aparato y el recipiente de café con un trapo húmedo. Limpie la tapa del recipiente, el contenedor de café y su tapa con agua y jabón, después enjuague y seque. El recipiente, su tapa y la tapa del contenedor pueden ser lavados en la parte de arriba del lavavajillas.

### OPERANDO EL MOLINO DE CAFÉ

1. Asegúrese de que el aparato esté desconectado. Ponga el contenedor y su tapa en sus posiciones correctas. Revise que ensamble bien en el cuerpo del aparato **(1)**.
2. Remueva la tapa del recipiente y llene el recipiente hasta el nivel deseado **(2)**. No llene más arriba del nivel marcado "max". Ponga la tapa y asegúrese de que está correctamente colocada **(3)**.

**NOTA: Este producto está diseñado para moler café de grano entero solamente.**

3. Seleccione la cantidad de café a moler posicionando el número de tazas en el selector **(4)**.
4. Seleccione el nivel de finura de la molienda ajustando el selector **(5)** (vea Consejos Prácticos y Recomendaciones).
5. Inserte el enchufe en el contacto (voltaje 120 v ~ 60 Hz).
6. Presione el botón On/Off para prender el aparato **(6)**.
7. Una vez que la cantidad seleccionada ha sido molida, el aparato se parará automáticamente.
8. Si Ud. quiere parar el aparato antes de que el proceso de molido sea completado, presione el botón On/Off.
9. Remueva el café molido del contenedor, y colóquelo en el filtro de la cafetera o utilice una cuchara **(7)**.
10. Para obtener mayor cantidad de café molido, repita la operación. Siempre asegúrese de que el café no pase el nivel marcado como “max” en el contenedor.

Los niveles seleccionados permanecerán igual en el siguiente uso, a menos de que Ud. desea cambiarlos nuevamente.

### **IMPORTANTE !**

- Para que su aparato funcione correctamente, asegurese de que: - La tapa del recipiente de café **(2)** está correctamente colocada.
- El contenedor de café molido **(6)** y su tapa **(7)** están bien posicionados en el cuerpo del aparato.

## **CONSEJOS PRÁCTICOS**

- Es mejor guardar granos de café en un lugar seco y fresco. Deben ser guardado en un contenedor opaco y sellado para evitar el contacto con el aire.

- Muela el café justo antes de utilizarlo.

### **Consejo para seleccionar el nivel de finura de la molienda**

- Utilice el selector de finura para ajustar la molienda de acuerdo con el tipo de cafetera.
- Generalmente, mientras más rápido pasa el agua por el café, más fino tiene que estar el molido. Un molido “medio” sirve para hacer café de goteo y un molido “muy fino” es necesario para un espresso.
- Para el primer uso, le sugerimos que use una posición intermedia y después ajuste la selección a su gusto. Una vez que haya utilizado el aparato varias veces, encontrará el nivel perfecto que lo satisfaga.
- No cambie el nivel de finura seleccionado cuando el aparato está en funcionamiento.

### **Niveles Sugeridos de Molienda:**

<b>NIVEL DE MOLIENDA</b>	<b>TIPO DE CAFETERA</b>
Fino	Espresso
Medio/Fino	Goteo con filtro permanente
Medio/Fino	Goteo con filtro permanente
Medio/Grueso	Percolado
Grueso	Prensa Francesa

**Sugerencia para seleccionar el número de tazas:**

- Utilice el selector de número de tazas para programar la cantidad de café molido que desea.
- Mientras más tazas selecciones, más tiempo tardará en funcionamiento.
- El aparato puede moler hasta 7 g de café por taza seleccionada.

## MANTENIMIENTO

- Para mantener todo el aroma del café y evitar la degradación del molido, vacíe el contenedor después de cada uso.
- Siempre desconecte el molino antes de limpiarlo.
- Nunca coloque el molino, el cable o el enchufe en agua.
- No utilice detergentes fuertes o métodos de limpieza abrasivos.
- Limpie las tapas y los recipientes con agua tibia con jabón y colóquelos en la parte alta del lavavajillas.
- Para remover la muela superior, posicione el selector de finura en la posición de molido más fino y tome las pestañas de la muela con los dedos y mueva hacia la derecha, después levante verticalmente para remover **(9)**.
- Cuidadosamente limpie el recipiente de café con un trapo húmedo.
- Para volver a colocar la muela superior, posicione el selector de finura **(9)** en la posición de molido más grueso, inserte la muela y muévela hacia la izquierda **(10)**.
- Limpie el cuerpo del aparato y la salida de café con un trapo húmedo.

## GUÍA DE FUNCIONAMIENTO

El aparato no funciona	Revise la conexión a la toma de corriente.
	La tapa del recipiente de café no está correctamente colocada.
	El recipiente de café no está puesto correctamente o su tapa no está en su lugar.
El aparato se para durante la operación	<p>El aparato está muy caliente. El fusible del motor se salió y Ud. debe contactar a un centro de servicio autorizado KRUPS.</p> <p><b>Causas de sobrecalentamiento que deben ser evitadas:</b></p> <p>La capacidad máxima del recipiente o del contenedor de café han sido excedidas</p>
El selector de finura de molienda no funciona	Revise si la muela superior está bien colocada (vea el párrafo de mantenimiento en el instructivo).

# KRUPS GARANTÍA LIMITADA INTERNACIONAL

 : [www.krups.com](http://www.krups.com)

Este producto **puede ser reparado** por KRUPS durante y después del periodo de garantía.

Los accesorios, consumibles y componentes reemplazables por el usuario final, en caso de estar disponibles localmente, pueden ser adquiridos tal y como se describe en la página web [www.krups.com](http://www.krups.com)

## **Garantía :**

Este es un producto garantizado por KRUPS (la dirección y demás datos de la compañía figuran en la lista de países de la Garantía Internacional KRUPS) contra defectos de fabricación o en los materiales **durante 2 años** a partir de la fecha de compra o la fecha de entrega. (Se pueden aplicar restricciones en la cantidad de ciclos por año, las cuales son descritas en el instructivo proporcionado con el producto, el cual también está disponible en [www.krups.com](http://www.krups.com)).

La garantía internacional que KRUPS emite como fabricante es una ventaja adicional que no afecta a los derechos legales del consumidor.

La garantía internacional del fabricante cubre todos los costes de reparación del producto defectuoso, de forma que se ajuste a sus especificaciones originales, ya sea mediante su reparación o la sustitución de los componentes defectuosos y la mano de obra necesaria. A criterio de KRUPS podrá sustituir el producto defectuoso por un equivalente o superior en lugar de repararlo. La reparación o sustitución del producto es la única obligación de KRUPS y la única y exclusiva solución facilitada al cliente en virtud de la presente garantía.

## **Condiciones y exclusiones :**

La garantía internacional KRUPS únicamente será de aplicación durante 2 años y en los países relacionados en la Lista de Países adjunta, y será válida solamente cuando vaya acompañada de una prueba de compra. Se puede llevar el producto en persona directamente a un Servicio Post-venta autorizado, o embalarlo adecuadamente y enviarlo, por correo certificado (o envío postal equivalente), a un Servicio Post-venta autorizado de KRUPS. La dirección completa de los Servicios Post-venta autorizados en cada país puede obtenerse en la página web de KRUPS ([www.krups.com](http://www.krups.com)) o llamando al número de teléfono del país en cuestión indicado en la Lista de Países, en el que le proporcionarán la dirección de correo.

KRUPS no estará obligada a reparar o sustituir productos que no vayan acompañados de una prueba de compra válida.

Esta garantía no cubrirá los daños que puedan producirse como resultado de usos incorrectos, negligencia, inobservancia de las instrucciones de KRUPS, conexión a corrientes o voltajes distintos de los impresos en el producto, o una modificación o reparación no autorizada del producto. Tampoco cubre el uso y desgaste habitual, el mantenimiento o sustitución de consumibles, ni lo siguiente:

- la utilización de un tipo de agua o cualquier otro producto inadecuado
- accidentes, incluidos incendios, inundaciones, rayos, etc.
- daños causados por un rayo o subidas de tensión
- daños en los materiales de vidrio o porcelana del producto
- el acceso de agua, polvo o insectos dentro del producto (excluyendo los aparatos con características específicamente diseñadas para insectos)
- daños mecánicos, sobrecarga
- la calcificación (las descalcificaciones deberán realizarse de acuerdo a las instrucciones de uso)
- uso profesional o comercial
- daños o bajo rendimiento debidos a un voltaje o frecuencia equivocados

Esta garantía no se aplica a productos que hayan sido manipulados, ni en el caso de daños ocasionados por un uso o mantenimiento indebidos, un embalaje inadecuado por parte del consumidor o por una manipulación incorrecta del transportista. Para ofrecer el mejor servicio post-venta posible y mejorar constantemente el grado de satisfacción del cliente, KRUPS puede enviar una encuesta de satisfacción a todos los clientes que hayan reparado o canjeado sus productos en un servicio post-venta autorizado KRUPS.

La garantía internacional KRUPS se aplica únicamente a productos adquiridos en uno de los países relacionados, y destinados exclusivamente a uso doméstico en uno de los países indicados en la Lista de Países. Cuando un producto sea adquirido en un país incluido en la Lista y posteriormente se utilice en otro país incluido en la Lista:

- a. La garantía internacional KRUPS no se aplica en caso de no conformidad del producto adquirido con las especificidades locales, tales como el voltaje, la frecuencia, las tomas de corriente u otras no conformidades legales u otras especificaciones técnicas locales.
- b. El proceso de reparación para productos adquiridos fuera del país de uso puede precisar de un plazo mayor si KRUPS no comercializa localmente el producto.
- c. En los casos en los que el producto no sea susceptible de reparación en el país de utilización, la garantía internacional KRUPS se limitará a la sustitución por un producto similar o un producto alternativo de precio similar, siempre que sea posible.

## **Derechos de los consumidores :**

La garantía internacional KRUPS no afecta a los derechos de los consumidores ni a derechos que no puedan ser excluidos o restringidos, ni a los derechos que el consumidor tenga frente al comerciante minorista que le vendió el producto. Esta garantía proporciona al consumidor derechos legales específicos, y el consumidor también podrá tener otros derechos legales que varían de una región a otra o de un país a otro. El consumidor ejercerá esos derechos a su criterio.

*Por favor conserve este documento para consulta en caso de que deseara hacer una reclamación bajo garantía.*

**Específicamente para México :** El sitio para comprar accesorios, refacciones, así como para realizar las reparaciones de los productos KRUPS se localiza en Home & Cook and Service, Av. San Fernando 649, local 27 A, Col. Peña Pobre, C.P. 14060, Alcaldía Tlalpan, Ciudad de México. México

KRUPS cubrirá los gastos razonablemente erogados para el cumplimiento de esta garantía, exclusivamente para aquellos sitios donde no se cuente con un centro de servicio autorizado. El periodo de garantía es el indicado en la lista de países, a menos que se especifique algo diferente sobre la información del producto.

# CONSIGNES DE SÉCURITÉ IMPORTANTES

**Lors de l'utilisation d'un appareil électrique, il est toujours impératif de prendre des précautions de sécurité élémentaires :**

1. Lire toutes les instructions avant d'utiliser le moulin à café à meules.
2. Afin d'éviter tout risque d'incendie, de décharge électrique et de blessure, ne pas plonger le cordon, les prises ou l'appareil dans l'eau ni dans tout un autre liquide.
3. Cet appareil ne doit pas être utilisé par des personnes (incluant les enfants) souffrant de déficiences des fonctions physiques, sensorielles ou mentales ; ou par des personnes n'ayant aucune expérience ou connaissance de l'appareil à moins qu'elles aient été encadrées ou instruites dans l'utilisation de ce produit par une personne responsable de leur sécurité. Une surveillance étroite est nécessaire lorsqu'un appareil est utilisé par des enfants ou en leur présence. Les enfants doivent être surveillés afin de s'assurer qu'ils ne jouent pas avec l'appareil.
4. Portable - Éteindre puis débrancher l'appareil de la prise secteur lorsqu'il n'est pas utilisé, avant d'assembler ou de désassembler des pièces et avant de le nettoyer. Pour le débrancher, saisir la fiche et la retirer de la prise. Ne jamais tirer sur le câble d'alimentation.
5. Éviter tout contact avec les pièces mobiles.
6. Pour réduire le risque de blessure grave ou de dommage à l'appareil, garder les mains et les ustensiles hors du réservoir à grains de café durant la mouture et lorsque l'appareil est branché.
7. Ne pas faire fonctionner un moulin dont le cordon électrique ou la fiche d'alimentation est endommagé, après une défaillance ou une chute de l'appareil, ou si celui-ci a été

endommagé de quelque façon que ce soit. Si c'est le cas, porter l'appareil dans un centre d'entretien KRUPS autorisé pour le faire examiner, pour une réparation ou pour une mise au point mécanique ou électrique.

8. L'utilisation d'accessoires non recommandés ou non vendus par KRUPS peut entraîner un feu, une décharge électrique ou des blessures.
9. Ne pas utiliser à l'extérieur.
10. Ne pas laisser le cordon d'alimentation pendre du bord d'une table ou d'un plan de travail ni toucher des surfaces chaudes, incluant la cuisinière.
11. S'assurer qu'aucun corps étranger ne se trouve dans le réservoir avant d'utiliser l'appareil.
12. Toujours utiliser le moulin à café à meules avec le couvercle fermé de manière sécuritaire.
13. Ne pas placer l'appareil sur un brûleur au gaz ou électrique chaud ou à proximité d'un brûleur, ou encore dans un four chaud.
14. Ne pas faire fonctionner l'appareil lorsqu'il est vide.
15. Cet appareil est destiné à un usage domestique seulement. Toute utilisation commerciale, inappropriée ou non conforme aux instructions annulera la garantie du fabricant.
  - Ne pas utiliser l'appareil autrement que selon l'utilisation prévue.

## CONSERVEZ CES INSTRUCTIONS

### ATTENTION

Cet appareil est conçu pour une utilisation exclusivement domestique. Tout type d'entretien autre que le nettoyage ou l'entretien régulier par l'utilisateur devrait être effectuée par le centre d'entretien KRUPS autorisé le plus près.

- Ne pas immerger l'appareil dans l'eau.
- Pour réduire les risques de décharge électrique ou de feu, ne pas démonter l'appareil. Toute réparation devrait être effectuée uniquement par un centre d'entretien KRUPS autorisé.

### INSTRUCTIONS CONCERNANT LE CORDON ÉLECTRIQUE COURT

Au sujet du cordon :

- A. Un cordon d'alimentation électrique court est fourni avec l'appareil afin de réduire les risques d'enchevêtrement ou de chute que pose un cordon plus long.
- B. Les rallonges devraient être utilisées avec prudence.
- C. En cas d'utilisation d'une rallonge : **(1)** les caractéristiques électriques nominales de la rallonge doivent être au moins équivalentes à celles de l'appareil; **(2)** si l'appareil est équipé d'une mise à la terre, la rallonge devrait aussi en être équipée; **(3)** un cordon plus long devrait être disposé de manière à ne pas pendre d'un comptoir ou d'une table, car un enfant pourrait tirer dessus ou trébucher.
- D. Cet appareil est équipé d'une fiche d'alimentation polarisée (une lame de contact est plus large que l'autre). Afin de réduire les risques de décharge électrique, cette fiche est conçue pour ne pouvoir être insérée que dans un seul sens dans une prise polarisée. Si la fiche ne convient pas parfaitement à la prise, tourner la fiche dans l'autre sens. Si elle ne convient toujours pas, communiquer avec un électricien qualifié. Ne pas tenter de modifier la fiche de quelque façon.

## FICHE POLARISÉE

Si cet appareil a une fiche d'alimentation polarisée (une lame est plus large que l'autre), c'est pour réduire le risque de décharge électrique. Cette fiche d'alimentation ne conviendra que d'une façon à une prise polarisée. Si la fiche n'entre pas complètement dans la prise, retourner la fiche. Si elle ne convient toujours pas, communiquer avec un électricien qualifié. Ne pas modifier la fiche de quelque façon que ce soit.

Nous vous remercions d'avoir choisi un appareil de la gamme de produits KRUPS pour la préparation des aliments.

## DESCRIPTION

- |   |  |
|---|--|
| <b>A</b> Compartiment à grains              | <b>F</b> Réceptacle à mouture                  |
| <b>B</b> Couvercle du compartiment à grains | <b>G</b> Couvercle du réceptacle à mouture     |
| <b>C</b> Boîtier de l'appareil              | <b>H</b> Sélecteur du nombre de tasses         |
| <b>D</b> Interrupteur O/I (marche/arrêt)    | <b>I</b> Sélecteur de la finesse de la mouture |
| <b>E</b> Meule supérieure amovible          | <b>J</b> Orifice de sortie de la mouture       |

## À PROPOS DE LA MOUTURE DU CAFÉ

L'arôme du café dépend de la qualité de la mouture. Celle-ci dépend de la torréfaction du café. En général, plus la mouture est fine, plus le café passe rapidement. C'est pourquoi la mouture utilisée pour une cafetière espresso est plus fine que la mouture utilisée pour une cafetière à filtre.

Un café moulu trop finement et destiné à une cafetière espresso donnera, dans une cafetière à filtre, un café au goût amer. À l'inverse, une mouture plus grossière donnera un café sans saveur. Si vous avez choisi la mouture adaptée à votre cafetière, le simple fait d'augmenter la quantité de mouture donnera un café plus fort mais sans aucune amertume.

## AVANT LA PREMIÈRE UTILISATION

Avant la première utilisation, nettoyez le réceptacle à mouture, son couvercle et le couvercle du compartiment à grains à l'eau tiède savonneuse. Nettoyez l'intérieur du compartiment à grains avec un chiffon humide. Ne mettez jamais le boîtier de l'appareil dans l'eau ou sous l'eau courante. Séchez soigneusement l'ensemble des pièces et remettez-les en place. Le réceptacle à mouture, son couvercle et le couvercle du compartiment à grains peuvent être lavés dans le panier supérieur du lave-vaisselle.

## UTILISATION DE L'APPAREIL

1. Assurez-vous que le moulin à café est débranché. Placez le réceptacle à mouture et son couvercle dans leur emplacement. Assurez-vous que l'ensemble est correctement installé dans le boîtier **(1)**.
2. Retirez le couvercle du compartiment à grains et introduisez les grains de café dans le compartiment à grains **(2)**. Ne dépassez pas le niveau « max. ». Remplacez le couvercle du compartiment à grains et assurez-vous qu'il est bien en place **(3)**.
3. Réglez la quantité de mouture désirée en réglant le sélecteur du nombre de tasses en fonction de la quantité désirée **(4)**.
4. Réglez la mouture en réglant le sélecteur de mouture en fonction du niveau désiré **(5)**. (voir § Conseils pratiques et recommandations)
5. Branchez la fiche dans une prise électrique (tension : 120 volts ~ 60 Hz).
6. Appuyez sur l'interrupteur O/I pour faire fonctionner l'appareil **(6)**.
7. Lorsque la quantité de grains sélectionnée est broyée, l'appareil s'arrête automatiquement.
8. Si vous souhaitez interrompre l'appareil avant, appuyez sur l'interrupteur O/I.
9. Enlevez le réceptacle à mouture et tapez légèrement sur le réceptacle puis retirez le couvercle et versez la mouture obtenue directement dans le filtre de la cafetière à filtre, ou à l'aide d'une cuillère à mesurer pour une cafetière Espresso **(7)**.
10. Pour obtenir une quantité supplémentaire de mouture, vous pouvez répéter un cycle de fonctionnement en appuyant de nouveau sur l'interrupteur O/I **(4)**. Assurez-vous toujours préalablement que la quantité de grains à moudre ne dépasse pas le niveau « max. » du réceptacle à mouture.

Les réglages sélectionnés sont conservés d'une utilisation à l'autre.

### Attention !

Pour que votre appareil fonctionne, assurez-vous que :

- Le couvercle du compartiment à grains est correctement en place.
- Le réceptacle à mouture et son couvercle sont correctement placés dans le boîtier de l'appareil.

## CONSEILS PRATIQUES

- Conservez votre café en grains dans un récipient hermétique au réfrigérateur.
- Pour préserver tout l'arôme de votre café, il est recommandé de le moudre quelques instants seulement avant de le préparer.

### Conseils pour sélectionner la mouture

- Le sélecteur de mouture vous permet de choisir la finesse de votre mouture selon le type de cafetière que vous utilisez et selon vos goûts personnels.

- Généralement, plus le passage de l'eau dans la mouture est rapide, plus la mouture doit être fine pour en extraire les arômes. Une mouture « médium » convient donc pour la préparation d'un café filtre, une mouture « très fine » est nécessaire pour la préparation d'un Espresso.
- Lors de la première utilisation, il est conseillé de sélectionner une position intermédiaire dans la zone « Espresso » ou « Drip » selon votre type de cafetière et de modifier par la suite le degré de finesse selon votre goût. Après quelques utilisations, vous trouverez la mouture idéale qui vous convient.
- **Ne modifiez pas le degré de finesse quand l'appareil est en cours de fonctionnement.**
- Si vous utilisez le degré de finesse le plus fin, il est recommandé de nettoyer fréquemment la meule supérieure ainsi que l'orifice de sortie de la mouture. (voir § Entretien)

### Conseils d'utilisation de la mouture

MOUTURE	TYPE DE CAFETIÈRE
Fine	Espresso
Moyenne/fine	Avec filtre permanent
Moyenne	Avec filtre permanent
Moyenne/grossière	Percolateur
Grossière	À piston

### Conseils pour sélectionner le nombre de tasses

- Le sélecteur du nombre de tasses permet de programmer la quantité de mouture souhaitée.
- Plus le nombre de tasses que vous sélectionnez est élevé, plus le temps de fonctionnement de l'appareil sera long.

## ENTRETIEN

- Débranchez toujours votre appareil avant de le nettoyer.
- Ne mettez jamais le boîtier, le cordon ou la prise de votre appareil dans l'eau ou sous l'eau courante.
- N'utilisez pas de détergents puissants ou de tampons abrasifs pour nettoyer l'appareil.
- Nettoyez les couvercles et le réceptacle à mouture à l'eau tiède savonneuse ou placez-les dans le panier supérieur de votre lave-vaisselle.
- Pour enlever la meule supérieure amovible, réglez le sélecteur de mouture à la position minimum puis saisissez avec les doigts les ailettes de la meule supérieure, tournez-la dans le sens des aiguilles d'une montre et soulevez-la verticalement **(9)**.
- Nettoyez soigneusement l'intérieur du compartiment à grains avec un chiffon humide.
- Pour remettre en place la meule supérieure, réglez le sélecteur à la position maximum, insérez la meule supérieure amovible et tournez-la dans le sens contraire des aiguilles d'une montre **(10)**.
- Nettoyez soigneusement l'orifice de sortie de la mouture et le boîtier de l'appareil avec un chiffon humide.
- Séchez soigneusement l'ensemble des pièces et remettez-les en place.

## GUIDE DE DÉPANNAGE

Le moulin à café ne fonctionne pas.	Vérifiez le branchement.
	Le couvercle du réservoir à grains n'est pas bien placé.
	Le réceptacle à mouture ou son couvercle sont mal placés.
Le moulin s'arrête en cours de fonctionnement.	L'appareil surchauffe. Le fusible thermique du moteur a sauté. Vous devez contacter le centre de service à la clientèle. <b>Causes de surchauffe pouvant être évitées :</b> La capacité maximum de grains dans le réservoir à grains ou la capacité maximum de mouture dans le réceptacle à mouture n'ont pas été respectées.
Le sélecteur de la finesse de la mouture ne fonctionne pas.	Vérifiez que la meule est bien en place (voir le paragraphe sur l'entretien).

# KRUPS GARANTIE INTERNATIONALE

 : [www.krups.com](http://www.krups.com)

Ce produit est **réparable** par KRUPS, pendant et après la période de garantie. Les accessoires, consommables, et autres pièces remplaçables directement par l'utilisateur, peuvent être commandés, s'ils sont disponibles localement, sur le site internet [www.krups.com](http://www.krups.com)

## La Garantie :

Ce produit est garanti par KRUPS (adresse et contacts dans la liste des pays de la Garantie Internationale KRUPS) contre tout défaut de fabrication ou de matière ou de main d'oeuvre, **pendant 2 ans** à partir de la date d'achat initiale ou la date de livraison (des restrictions sur le nombre de cycles par an peuvent être applicables et décrites, dans ce cas, dans le mode d'emploi fourni avec le produit ou disponible sur [www.krups.com](http://www.krups.com)). Cette Garantie Internationale du fabricant KRUPS vient en complément des droits des consommateurs.

La Garantie Internationale du fabricant couvre tous les coûts de remise en état d'un produit reconnu défectueux pour redevenir conforme à ses spécifications d'origine, par la réparation, la main-d'oeuvre, et le remplacement éventuel de pièces défectueuses. Au choix de KRUPS, un produit de remplacement équivalent ou supérieur peut être proposé à la place de la réparation du produit défectueux. Les obligations de KRUPS dans le cadre de cette garantie se limitent exclusivement à cette réparation ou ce remplacement.

## Conditions & Exclusions :

Cette garantie ne couvre pas les dommages qui seraient le résultat d'une mauvaise utilisation, d'une négligence, du non respect des instructions d'utilisation et de maintenance, de l'utilisation avec une alimentation électrique non conforme à celle spécifiée sur la plaque signalétique, ou d'une modification ou d'une réparation non autorisée du produit. Elle n'inclut également pas l'usure normale du produit, ni la maintenance ou le remplacement de pièces consommables, ni les cas suivants :

- dommage résultant de la foudre ou surtension électrique
- entrée d'eau, de poussière, d'insectes dans le produit (hors appareils aux caractéristiques spécialement conçues pour les insectes)
- entartrage (tout détartrage doit être réalisé conformément aux instructions dans le mode d'emploi)
- verre ou céramique endommagé
- tout accident lié à un feu, une inondation, etc
- utilisation d'une eau ou d'un consommable non adapté
- dommages mécaniques, surcharge
- dommages ou dysfonctionnements dus à l'utilisation avec un voltage ou une fréquence électrique non conformes
- usage professionnel ou sur un lieu de travail

Cette garantie ne s'applique pas aux produits trafiqués, ou aux dommages résultant d'une utilisation impropre ou sans entretien, aux problèmes d'emballage ou de transport pendant l'expédition du produit par son propriétaire.

Afin d'offrir le meilleur service après-vente possible et d'améliorer constamment la satisfaction de ses clients, KRUPS pourra envoyer une enquête de satisfaction à tous ses clients dont le produit aura été réparé ou échangé par l'un des partenaires service agréés de KRUPS.

La Garantie Internationale de KRUPS couvre exclusivement les produits achetés dans un des pays listés, et utilisés à des fins domestiques également dans un des pays listés dans la Liste des Pays. En cas d'utilisation dans un pays différent du pays d'achat :

- a. La Garantie Internationale de KRUPS ne s'applique qu'en cas d'adéquation du produit avec les standards et normes locales, tels que le voltage, la fréquence électrique, le type de prise électrique, ou toute autre exigence locale légale ou toute autre spécification technique locale.
- b. Le processus de réparation pour des produits achetés en dehors du pays d'utilisation peut exiger un temps de réparation plus long si le produit n'est pas localement vendu par KRUPS.
- c. Au cas où le produit ne serait pas réparable dans le pays d'emploi, la Garantie Internationale de KRUPS est limitée au remplacement par un produit équivalent ou un produit alternatif de même valeur, **si c'est possible**.

## Droits des Consommateurs :

Cette Garantie Internationale de KRUPS n'affecte ni les droits légaux dont bénéficie tout consommateur localement, qui ne sauraient être exclus ou limités, ni les droits légaux envers un distributeur auprès de qui aurait été acheté un produit. Cette Garantie donne au consommateur des droits spécifiques, et le consommateur peut par ailleurs bénéficier des droits particuliers en fonction du Pays, de l'Etat ou de la Province. Le consommateur peut faire usage de ces droits de son seul fait.

*\*\*\*Veuillez conserver ce document qui vous sera utile en cas de réclamation sous garantie.*

**Pour la France uniquement :**

**Article L 217-4 du Code de la consommation :** « Le vendeur est tenu de livrer un bien conforme au contrat et répond des défauts de conformité existant lors de la délivrance.

Il répond également des défauts de conformité résultant de l'emballage, des instructions de montage ou de l'installation lorsque celle-ci a été mise à sa charge par le contrat ou a été réalisée sous sa responsabilité. »

**Article L 217-5 du Code de la consommation:** « Pour être conforme au contrat, le bien doit :

1° Etre propre à l'usage habituellement attendu d'un bien semblable et, le cas échéant :

- correspondre à la description donnée par le vendeur et posséder les qualités que celui-ci a présentées à l'acheteur sous forme d'échantillon ou de modèle ;

- présenter les qualités qu'un acheteur peut légitimement attendre eu égard aux déclarations publiques faites par le vendeur, par le producteur ou par son représentant, notamment dans la publicité ou l'étiquetage ;

2° Ou présenter les caractéristiques définies d'un commun accord par les parties ou être propre à tout usage spécial recherché par l'acheteur, porté à la connaissance du vendeur et que ce dernier a accepté. »

**Article L 217-12 du Code de la consommation :** « L'action résultant du défaut de conformité se prescrit par deux ans à compter de la délivrance du bien. »

**Article L 217-16 du Code de la consommation :** « Lorsque l'acheteur demande au vendeur, pendant le cours de la garantie commerciale qui lui a été consentie lors de l'acquisition ou de la réparation d'un bien meuble, une remise en état couverte par la garantie, toute période d'immobilisation d'au moins sept jours vient s'ajouter à la durée de la garantie qui restait à courir. Cette période court à compter de la demande d'intervention de l'acheteur ou de la mise à disposition pour réparation du bien en cause, si cette mise à disposition est postérieure à la demande d'intervention. »

**Article 1641 du Code civil :** « Le vendeur est tenu de la garantie à raison des défauts cachés de la chose vendue qui la rendent impropre à l'usage auquel on la destine, ou qui diminuent tellement cet usage que l'acheteur ne l'aurait pas acquise, ou n'en aurait donné qu'un moindre prix, s'il les avait connus. »

**Article 1648, al.1er du Code civil :** « L'action résultant des vices rédhibitoires doit être intentée par l'acquéreur dans un délai de deux ans à compter de la découverte du vice. »